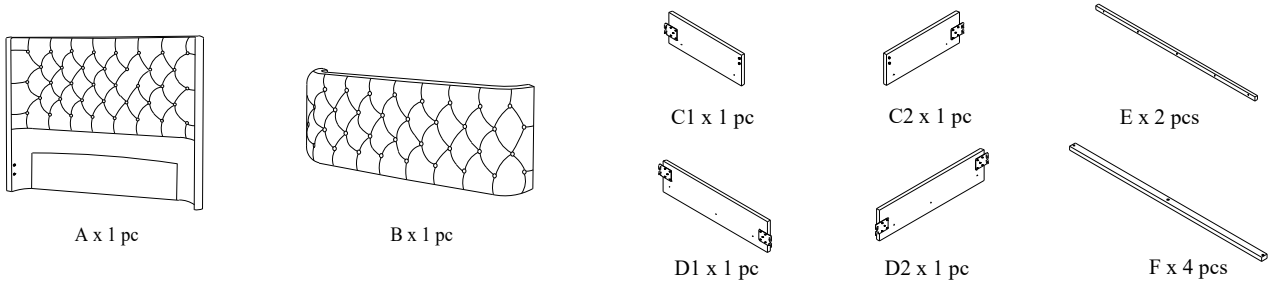


# HEADBOARD SET ASSEMBLY INSTRUCTION (TOTAL 1 BOX)

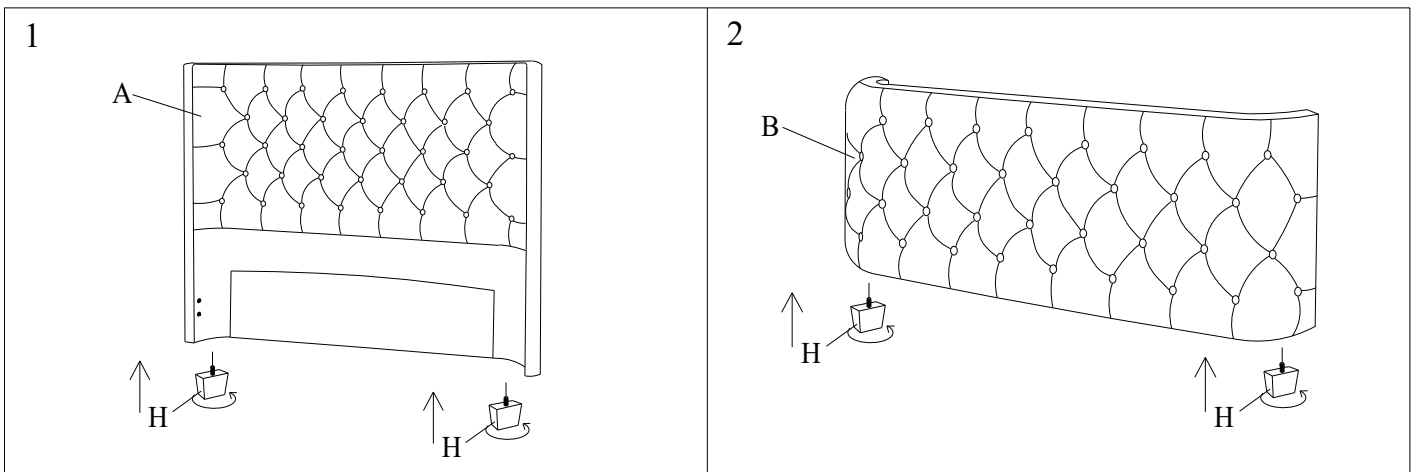
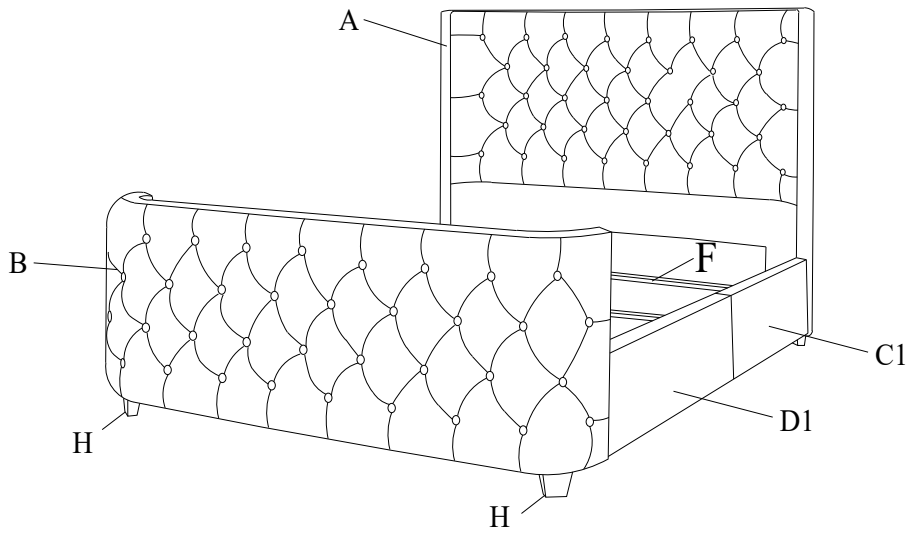


Please read over the instructions, it will be a time-saver in the long run.

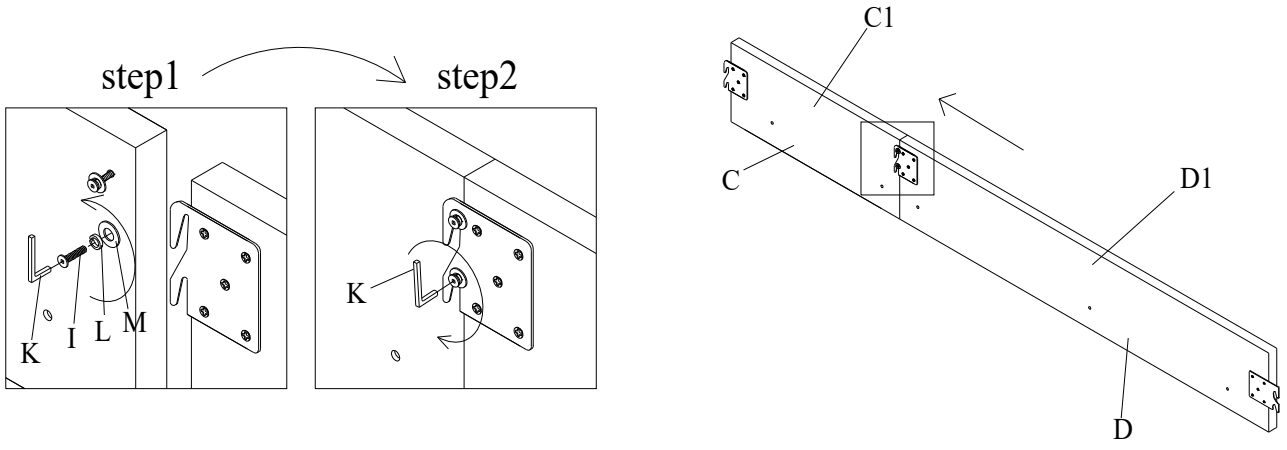
Note: Before assembly, please be sure to work on a soft flat surface to avoid any damage to the finish.

Please leave bolts loosened until all bolts are placed before tightening completely.

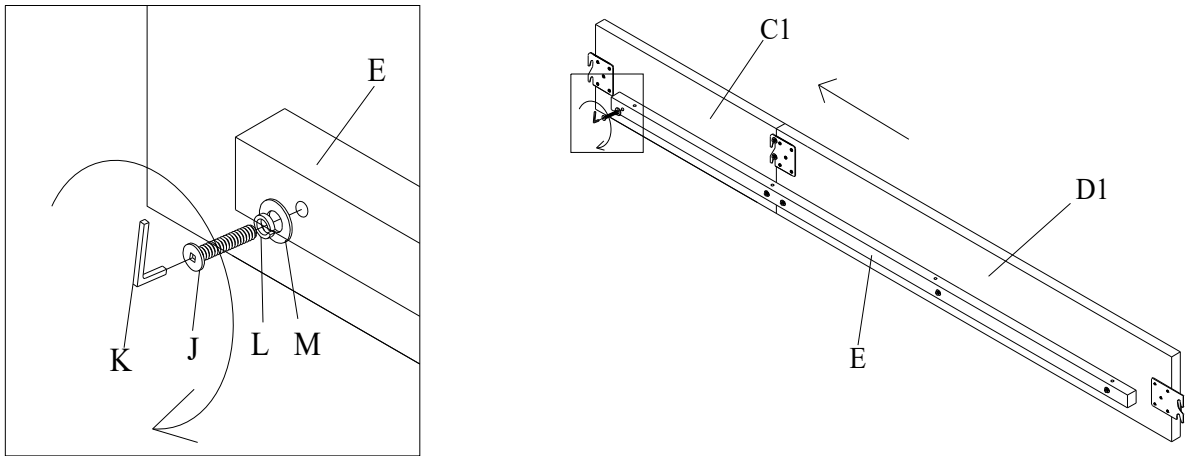
Part#	Picture	Description	QTY	Location	Part#	Picture	Description	QTY	Location
G		Center leg	4	Wrapped in a non-woven bag	L		Spring Washer Ø8	10	Hardware Pack
H		Legs	4	Wrapped in a non-woven bag	M		Flat Washer Ø8x25mm	12	Already in Place
I		Bolt Ø8x30mm	12	Already in Place	N		Screws 4x50mm	8	Hardware Pack
J		Bolt Ø8x60mm	10	Hardware Pack					
K		"L" Wrenches Ø5	1	Hardware Pack					



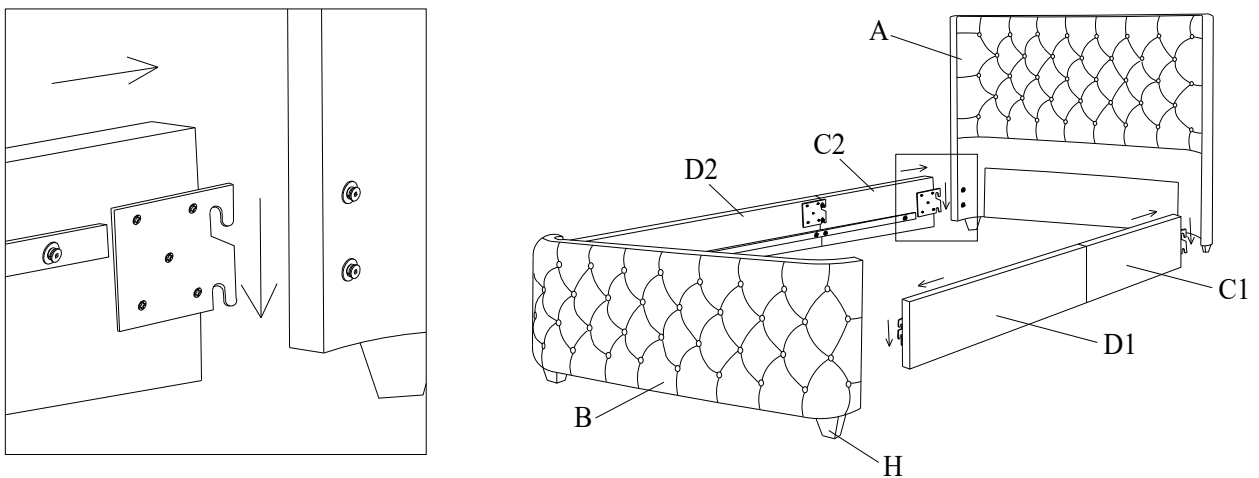
3



4

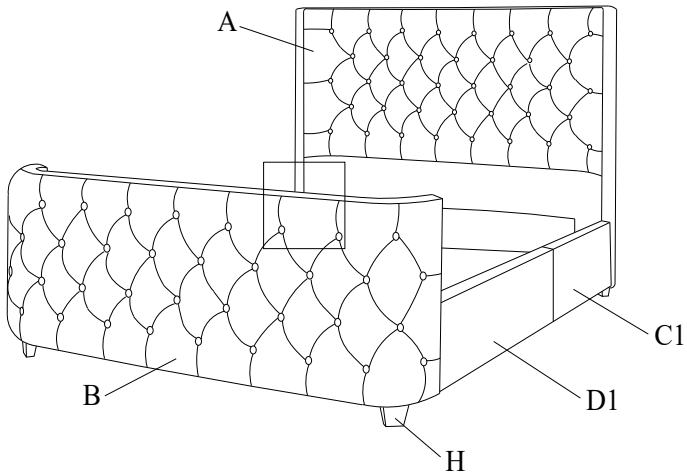
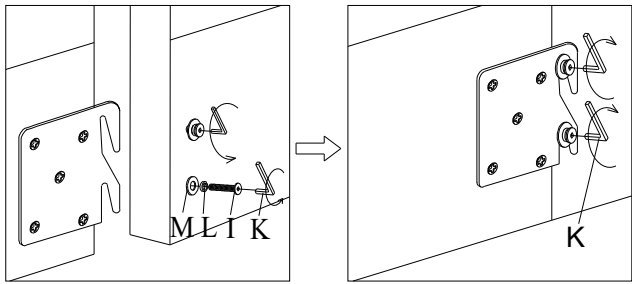


5

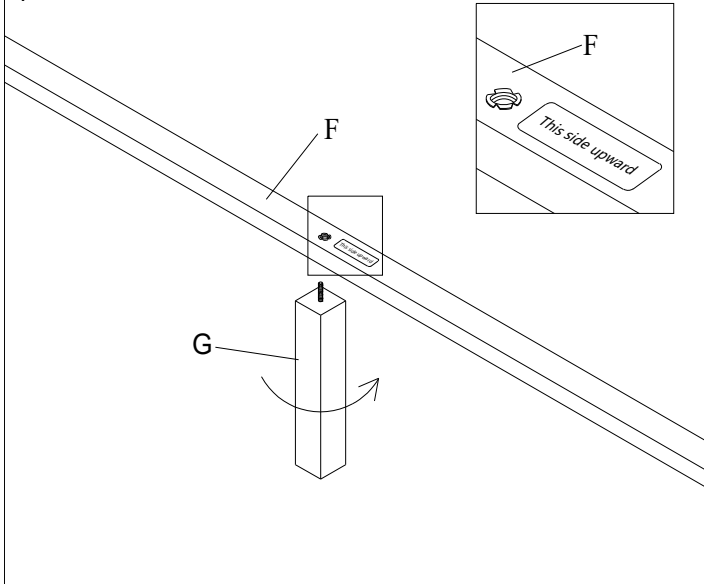


6

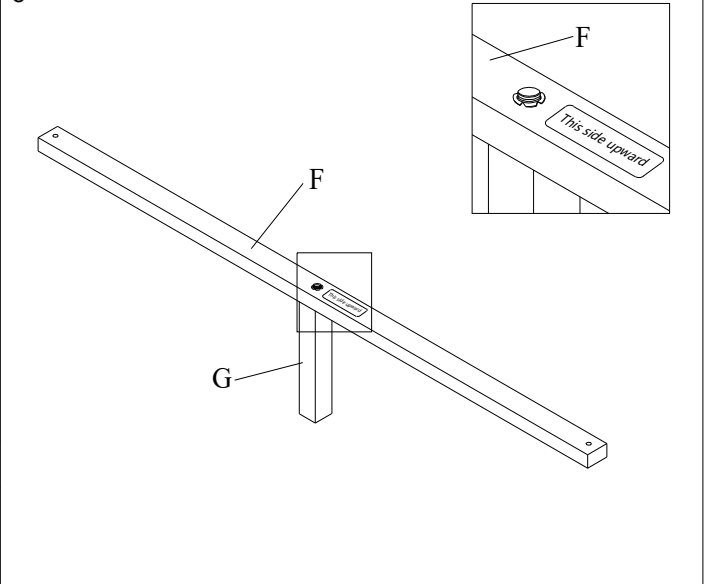
step1 → step2



7

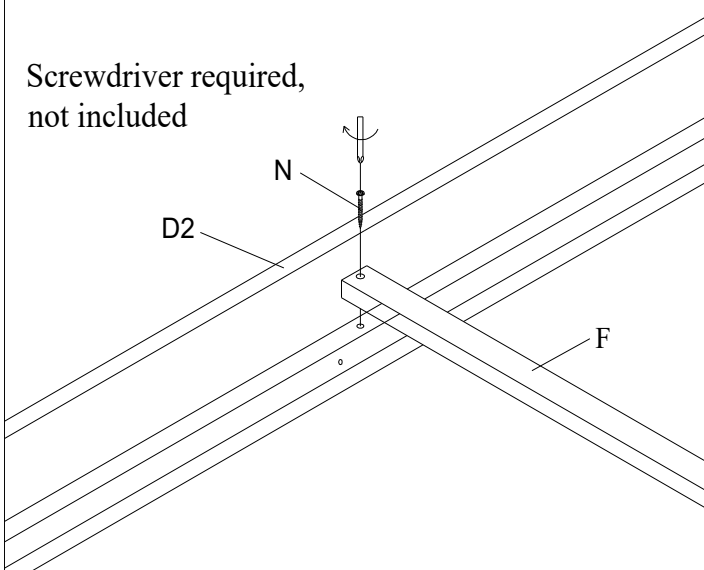


8



9

Screwdriver required,  
not included



10

