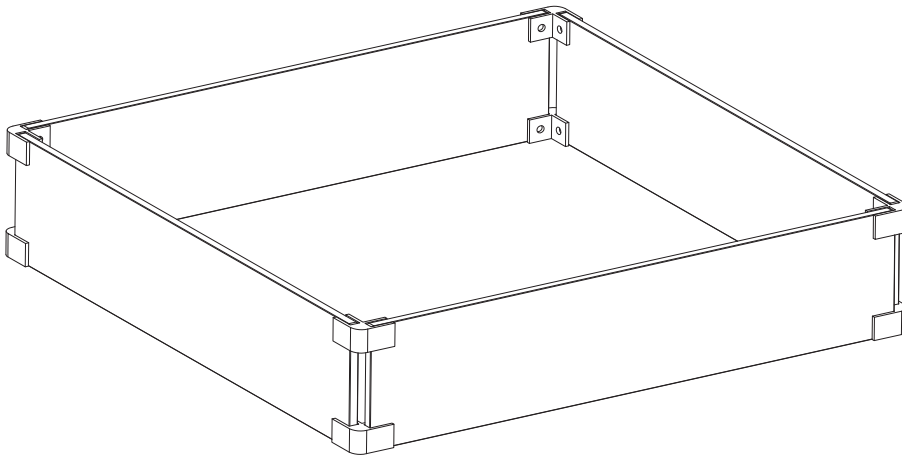
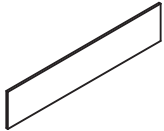


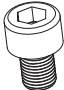




ASSEMBLY INSTRUCTIONS



Parts List

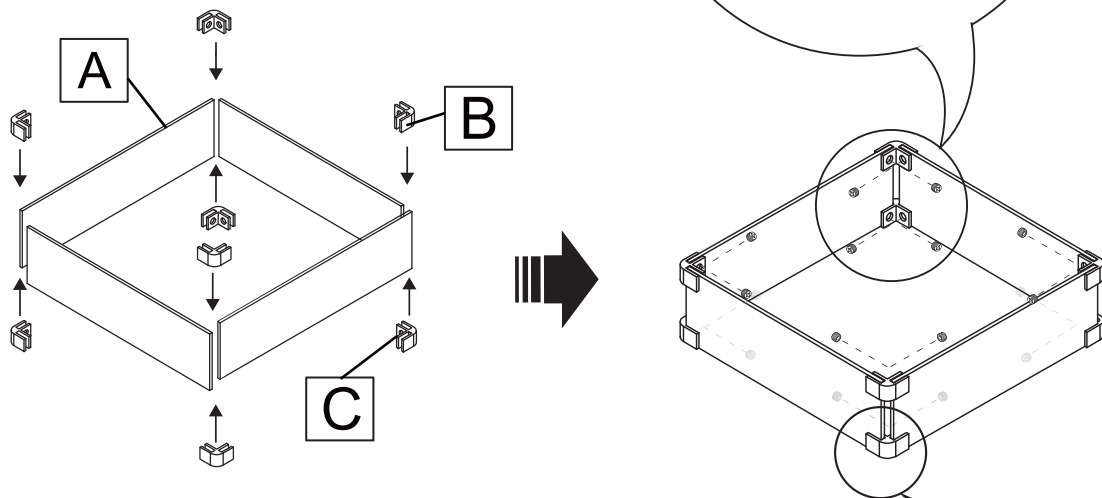
A	B	C	n1	n2	F
 <p data-bbox="331 1783 379 1816">4X</p>	 <p data-bbox="536 1783 584 1816">4X</p>	 <p data-bbox="735 1783 783 1816">4X</p>	 <p data-bbox="943 1783 991 1816">4X</p>	 <p data-bbox="1134 1783 1182 1816">16X</p>	 <p data-bbox="1358 1783 1406 1816">1X</p>
Glass panel	Upper connector	Below connector	M6*8 Screw	Screw	Wrench

Note:

The Connectors(#B & #C) and Glass panels must stay on the same plane, the hole in below connector(#C) should be face down.

STEP1

Take out 2 of the Glass panels(#A) and place them as the diagram shows at right angles. Insert a Below connector(#C) and an Upper connector(#B), then fix them separately with Screw(#n2) at the correct position.



STEP2

Fix the other three corners in the same way the M6X8 Screw(#n1) into the holes in Below connectors(#C).

