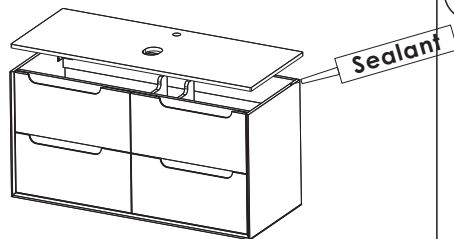


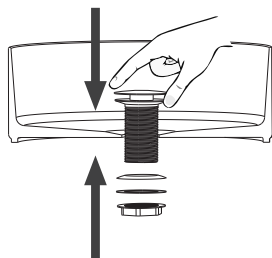
VESSEL SINK INSTALLATION

1



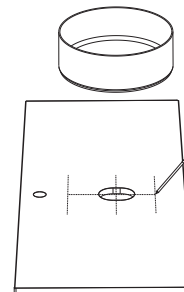
1. Apply silicone sealant around cabinet top. Press countertop down firmly.

2



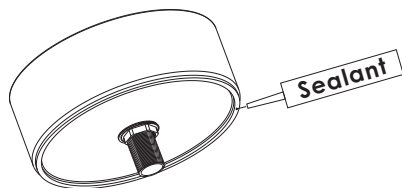
2. Install drain to sink bottom.
1. (Drain not included)

3



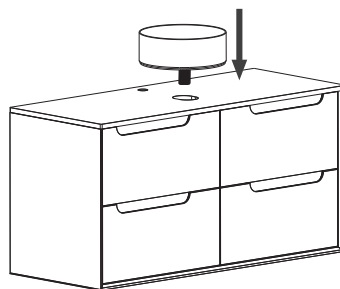
3. Mark cutout position on countertop. Measure carefully.

1



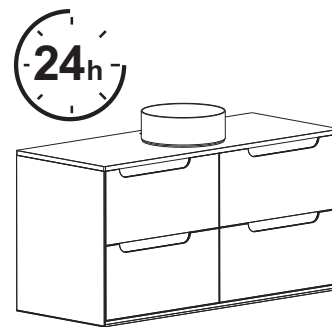
4. Apply sealant around sink bottom rim.

2



5. Place sink on marked position. Press down evenly.

3



6. Wait 24 hours for sealant to harden. Keep dry during this time.