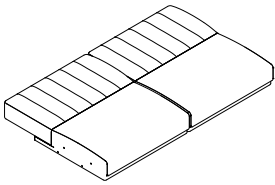


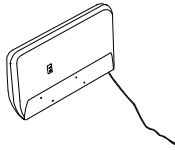
ASSEMBLY INSTRUCTION

645-3 SOFA BED WITH USB-A & USB-C CHARGER

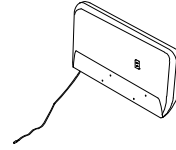
A Back & Seat



B LSF Arm
(Underneath
Back & Seat)



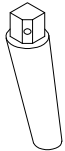
C RSF Arm
(Underneath
Back & Seat)



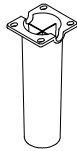
D Leg D



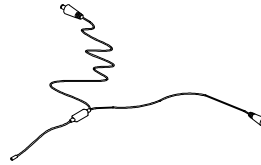
E 1PC
Leg E



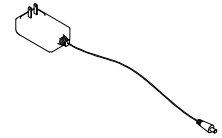
F 1PC
Middle Leg



G 1PC
Y-Cable



H 2PCS
Adaptor



I 2PCS
Bolt
5/16" x 100mm



J 2PCS
Bolt
5/16" x 60mm



K 1PC
Bolt
M6 x 10mm



L 1PC
Nut
5/16"



M 8PCS
Spring Washer
5/16"



N 4PCS
Flat Washer
5/16"



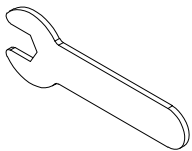
O 8PCS
L-Allen Key
5mm



P 8PCS
L-Allen Key
4mm



Q 12PCS
Wrench
5/16"

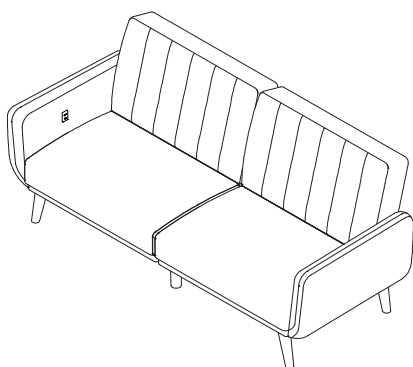


12PCS

1PC

1PC

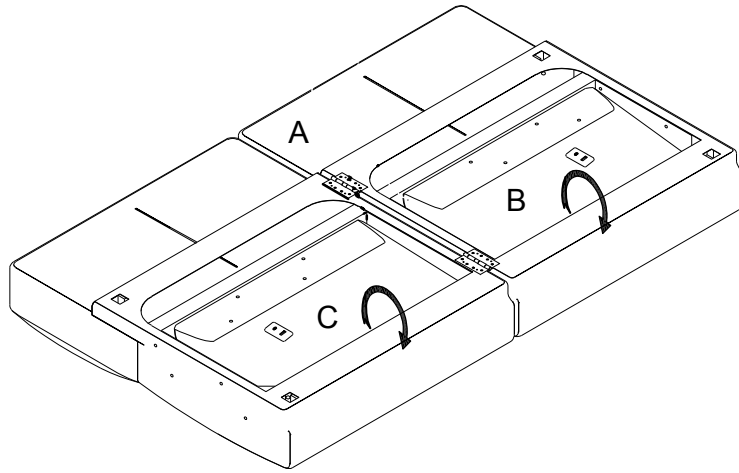
1PC



This page lists all the contents included in the box. Please take the time to identify the hardware as well as the individual components to this product. As you unpack and prepare for assembly, place the contents on a carpeted or padded area to protect them from damage.

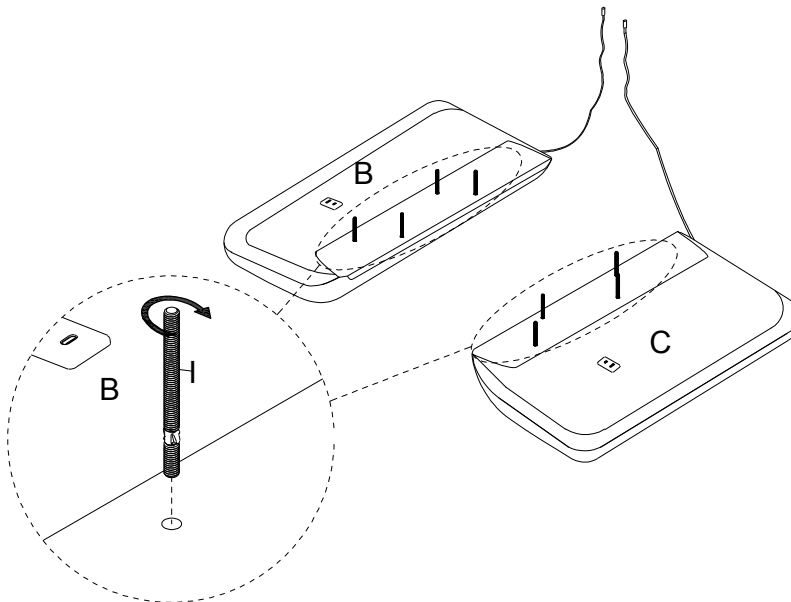
1

Take out LSF & RSF Arm (B & C) from Back & Seat (A).



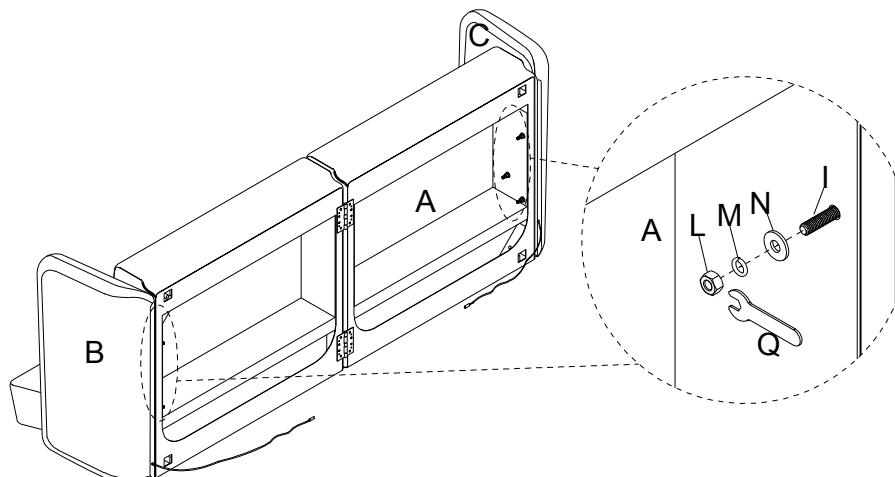
2

Insert Bolt (I) into LSF & RSF Arm (B & C) by turning clockwise.



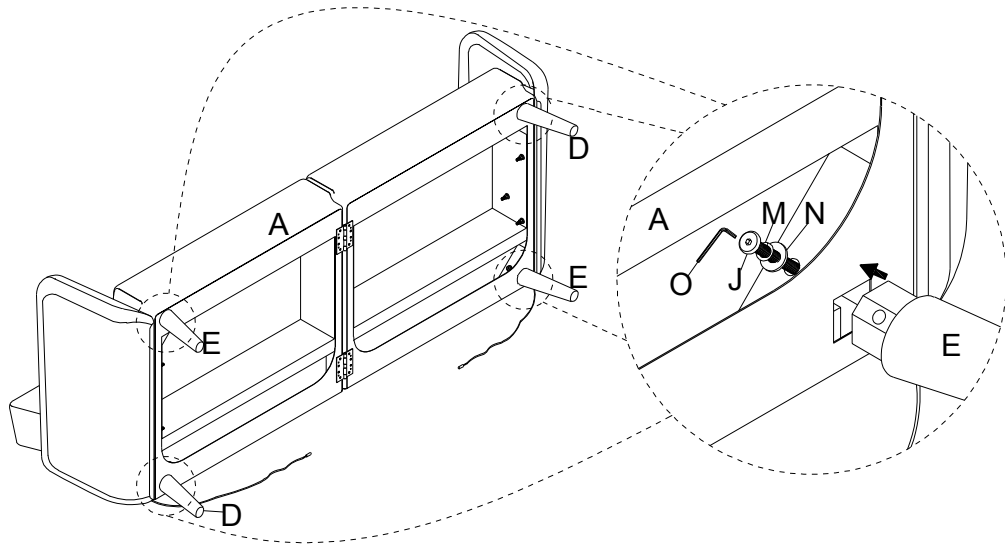
3

Attach LSF & RSF Arm (B & C) to Back & Seat (A) using Bolt (I), Flat Washer (N), Spring Washer (M) and Nut (L) with Wrench (Q).

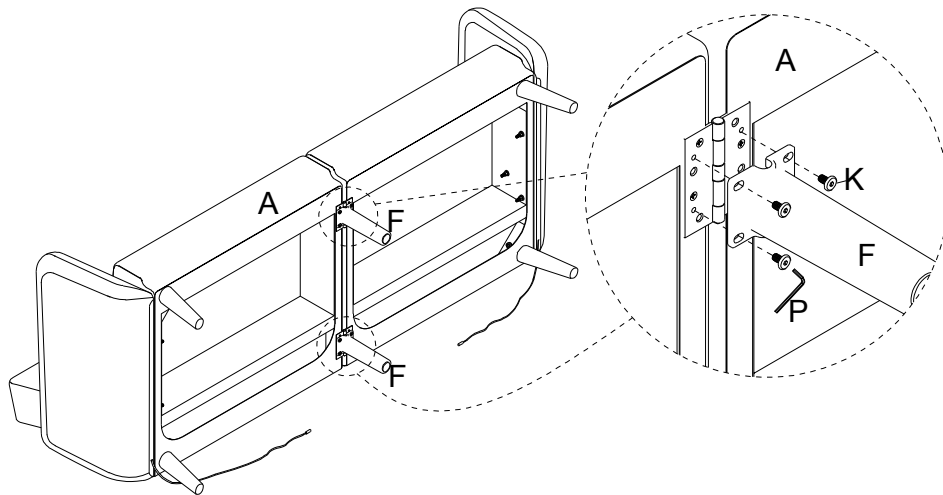


4

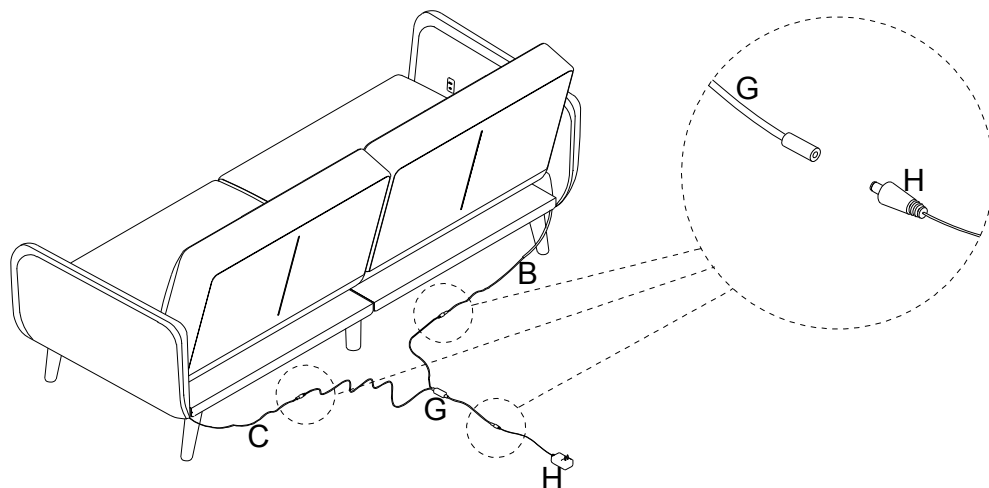
Attach Leg (E & D) to Back & Seat (A) using Bolt (J), Flat Washer (N) and Spring Washer (M) with L-Allen Key (O).

**5**

Attach Middle Leg (F) to Back & Seat (A) using Bolt (K) with L-Allen Key (P).

**6**

Connect the wire connector of LSF & RSF Arm (B & C) to Y-Cable (G). Then connect Adaptor (H) to Y-Cable (G).



Cleaning & Care

Treat surfaces with care. Surfaces are resistant to scratches but are not scratch resistant. Clean surfaces with a dry or damp soft cloth. Do not use abrasive cleaners. Hardware may loosen over time. Periodically check that all connections are tight.