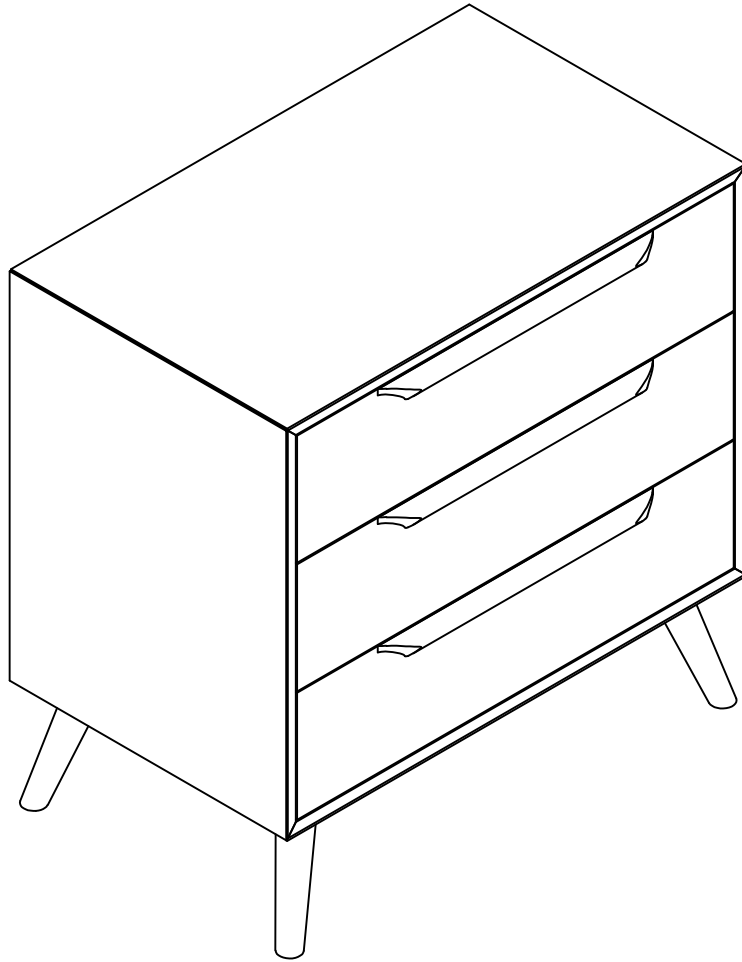


Owner Manual

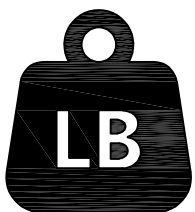


NOTE:

This brochure contains IMPORTANT safety info. Please read and keep for future reference.

MAINTAINANCE AND WARNING

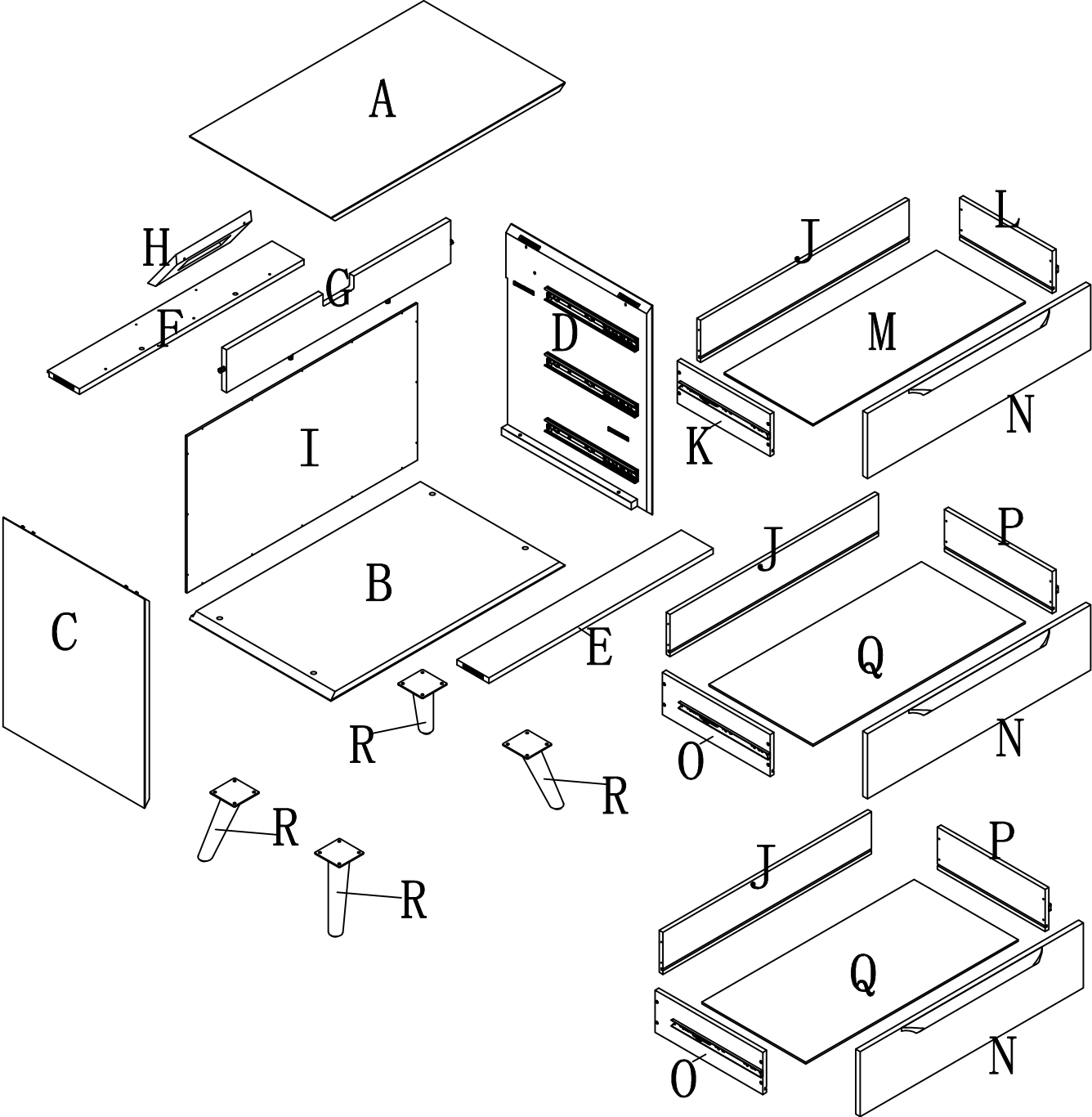
- 1.Keep furniture away from heat sources.
- 2.Do not clean furniture with harsh cleaner or polishes.Do not use detergents,solvents,abrasives,spray packs or leather cleaner. Use non-color mild soa with warm water to clean spills(Mix 1:10 soap to water).
- 3.Do not place furniture under direct sunlight,material will possibly fade over time.
- 4.Do not use on site dry cleaning machine.Children should not climb or jump on the furniture.
- 5.Do not write on furniture that is not protectedby a padded barrier.
- 6.Not for commercial use,only for residential use.



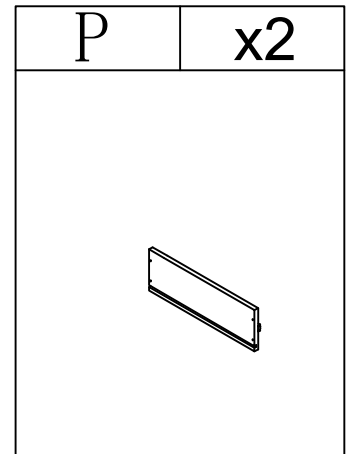
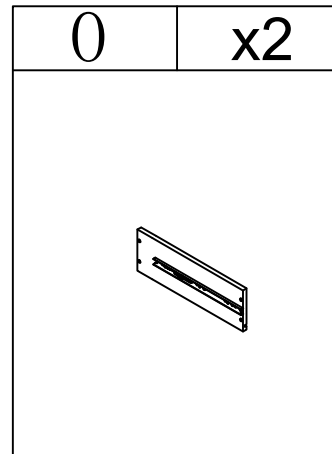
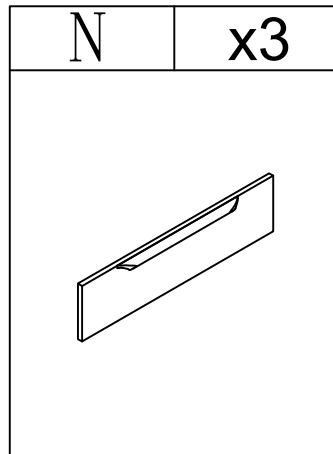
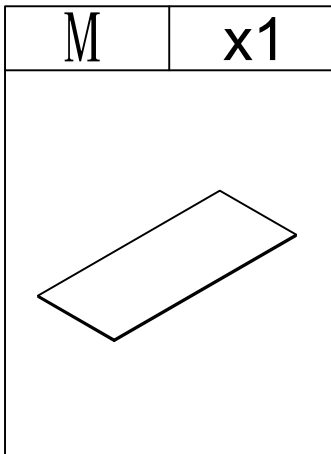
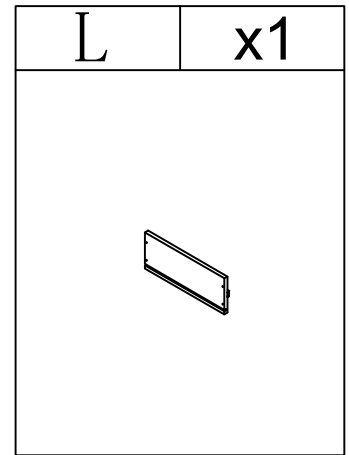
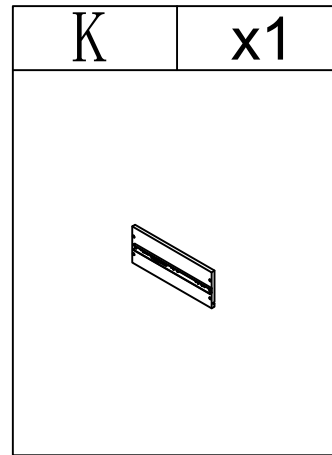
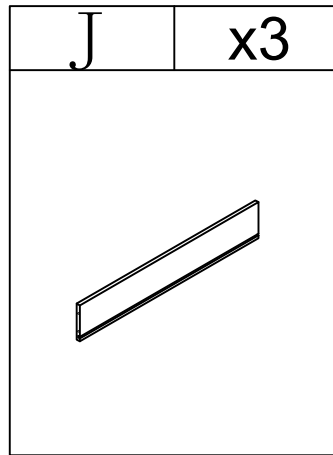
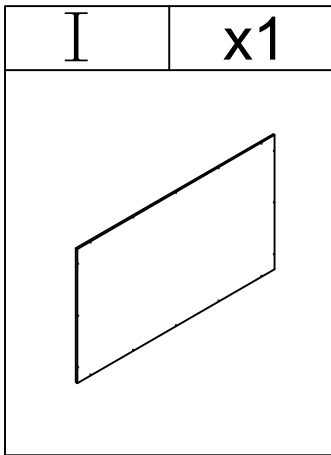
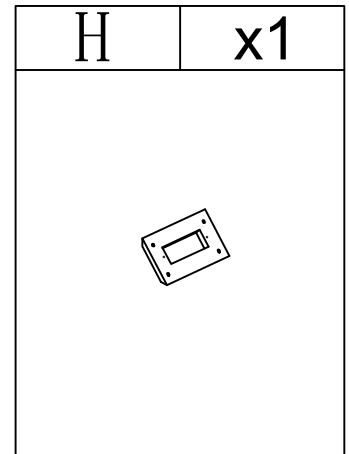
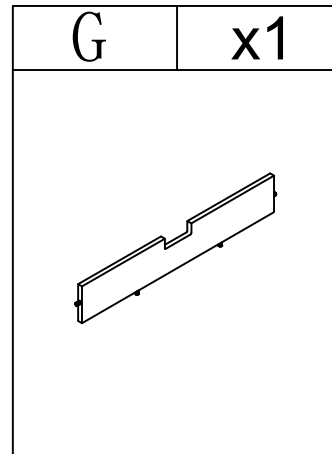
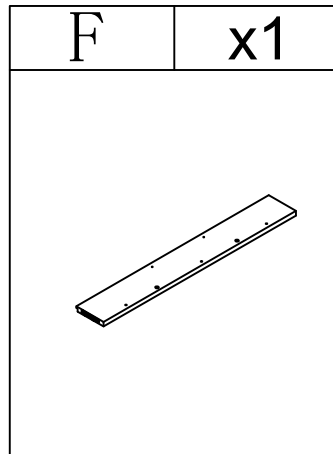
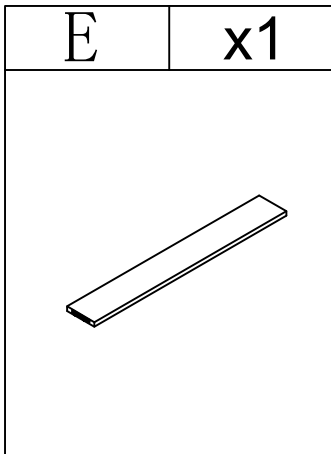
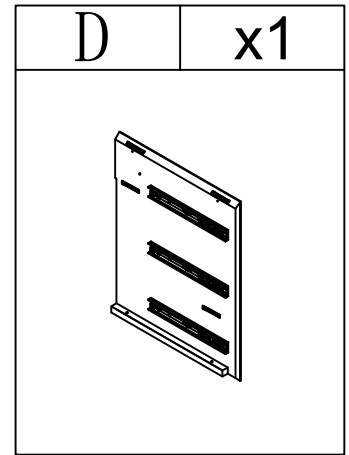
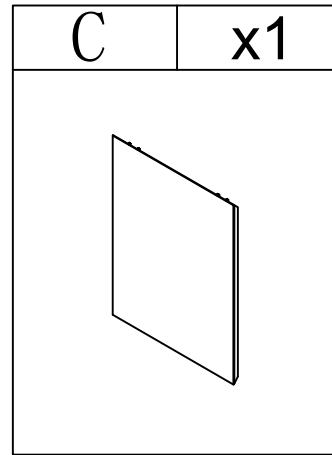
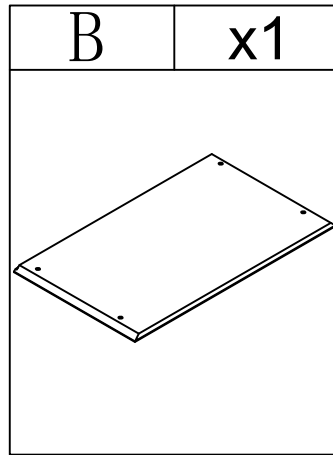
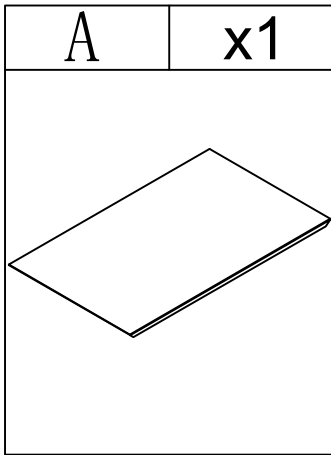
Weight Limitation

80 LBS

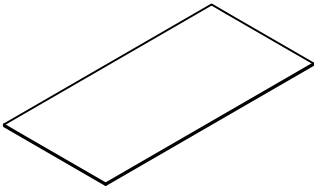
EXPLOSIVE VIEW




PARTS LIST

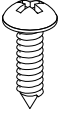


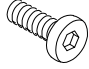
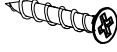

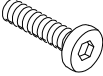
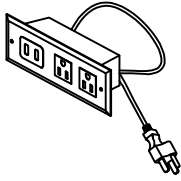

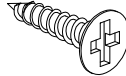





PARTS LIST


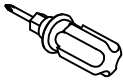
Q	x2
	

R	x4
	

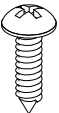


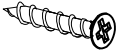
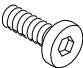
HARDWARE LIST

#1	x16	#2	x16	#3	x16	#4	x16	#5	x31	#6	x2
											
$\phi 3*14\text{mm}$		$\phi 1/4''$		$\phi 1/4''$		$\phi 1/4''*1/2''$		$\phi 8\#*1''$		$\phi 3*12\text{mm}$	
#7	x4	#8	x1	#9	x4	#10	x4	#11	x4	#12	x4
											
$\phi 1/4''*1''$						$\phi 3*16\text{mm}*6\#$		$\phi 3.5*35\text{mm}*7\#$			
#13	x2										
											

TOOL LIST

#14	x1	#15	x1
			
M4			

HARDWARE SPARE LIST

#1	x2	#2	x1	#3	x1	#5	x3	#4	x1
									
$\phi 3*14\text{mm}$		$\phi 1/4''$		$\phi 1/4''$		$\phi 8\#*1''$		$\phi 1/4''*1/2''$	

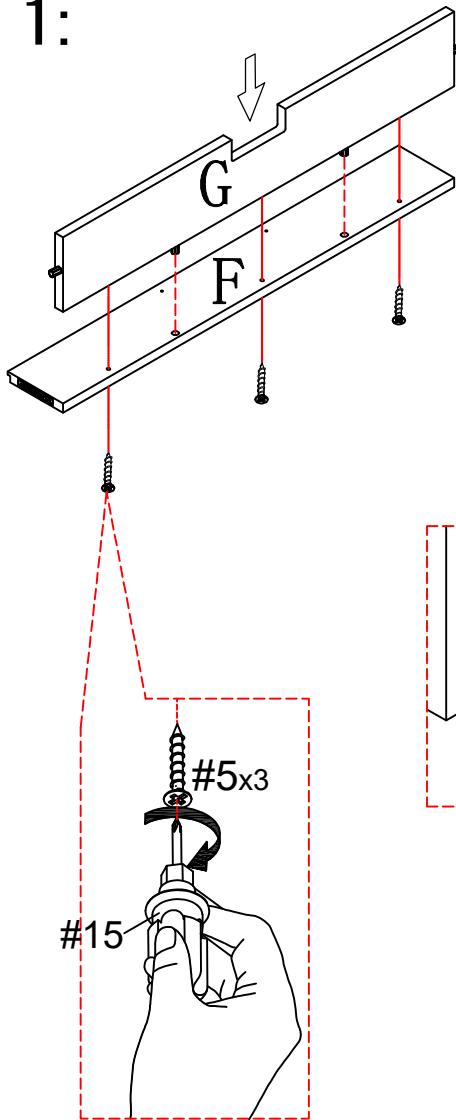
ASSEMBLY INSTRUCTIONS

STEP-1

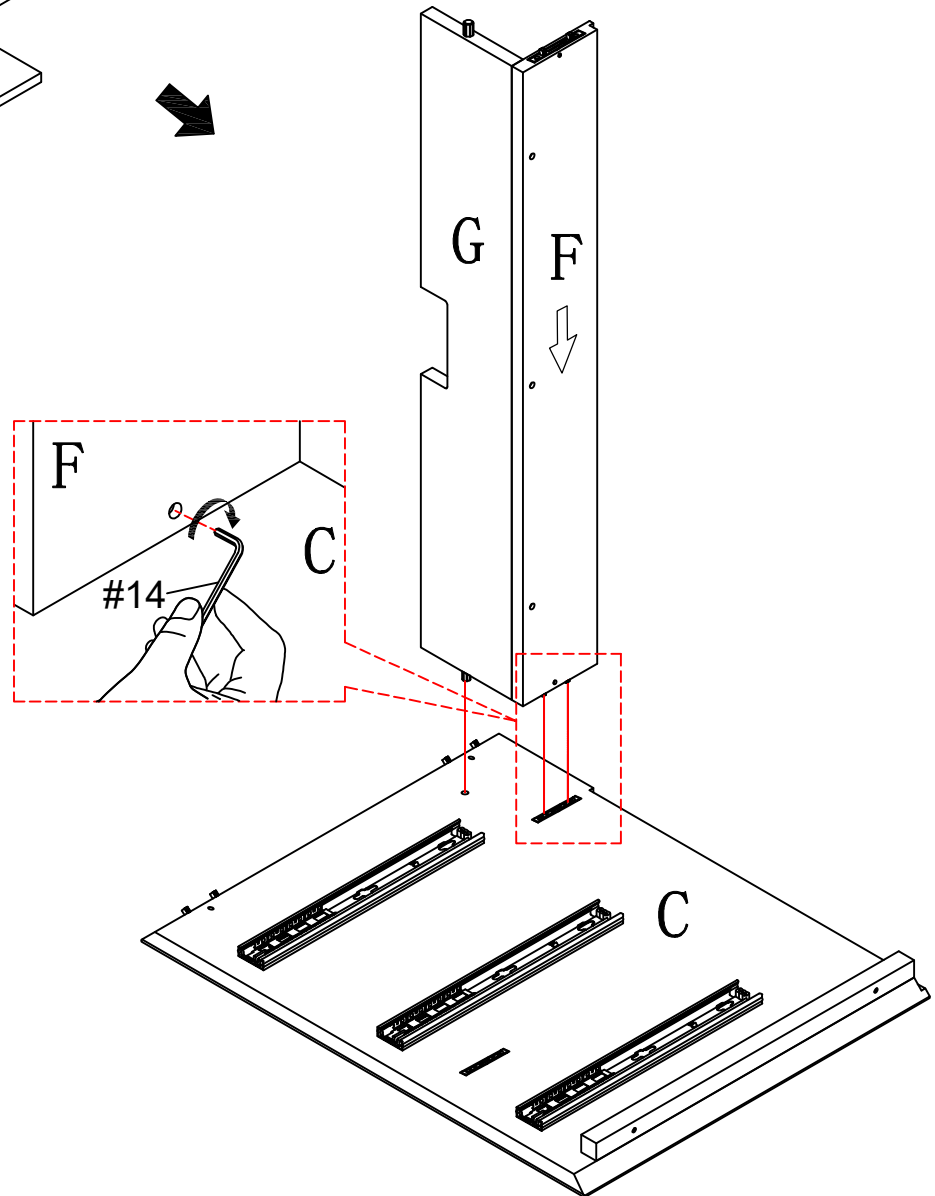
1. connect part (G) to part (F) with screw #5, tight screw with screwdriver#15 .

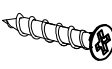
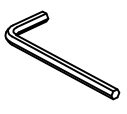
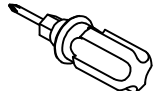
2. Insert panel (F & G) into panel (C), make sure all holes aligned and then tighten it with allen key #14 as picture show.

1:



2:



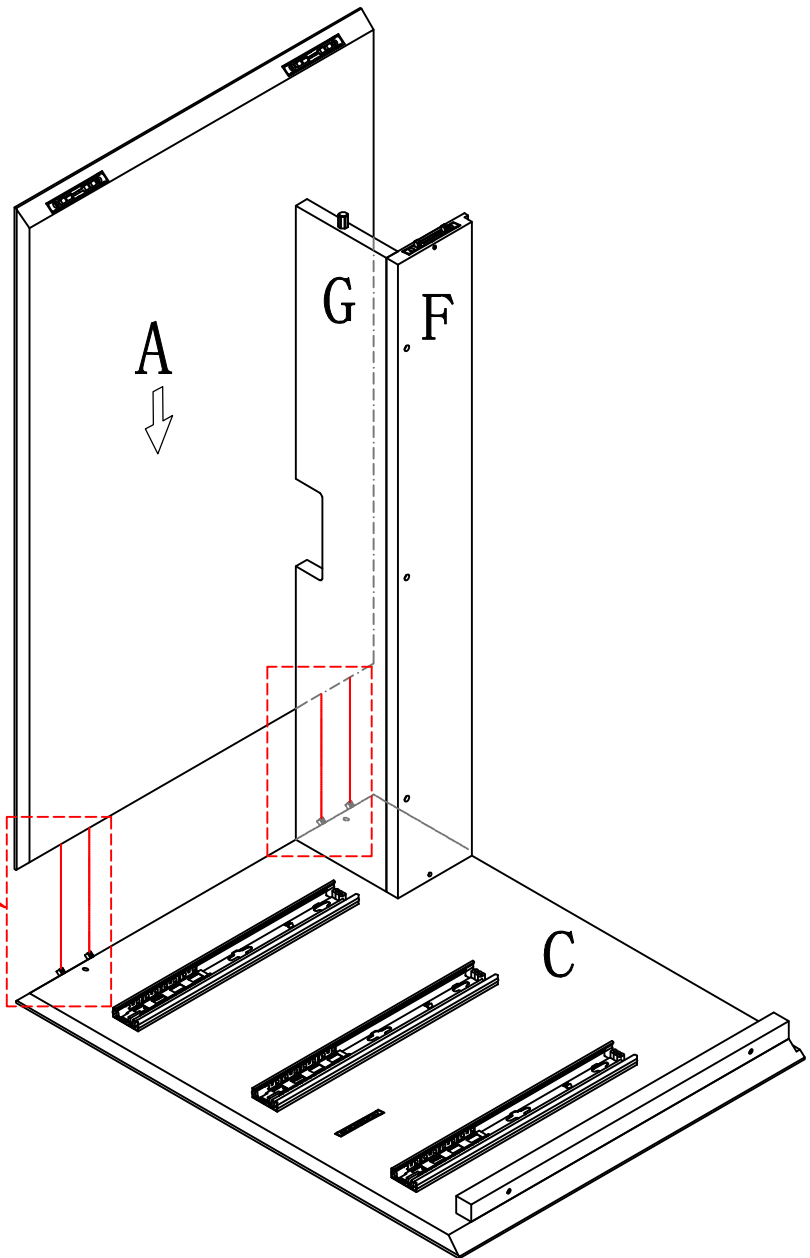
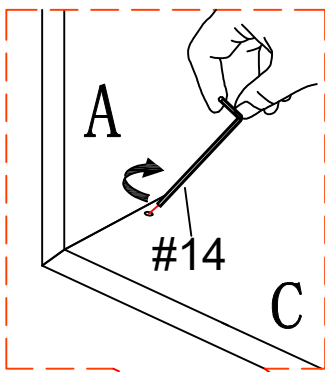
#5	x3	#14	x1	#15	x1
					
ø8#*1"		M4			

ASSEMBLY INSTRUCTIONS

STEP-2

1. Insert panel (A) into panel (C), make sure all holes aligned and then tighten it with allen key #14 as picture show.

please insert and rotate allen key #14 at a 45 degree angle

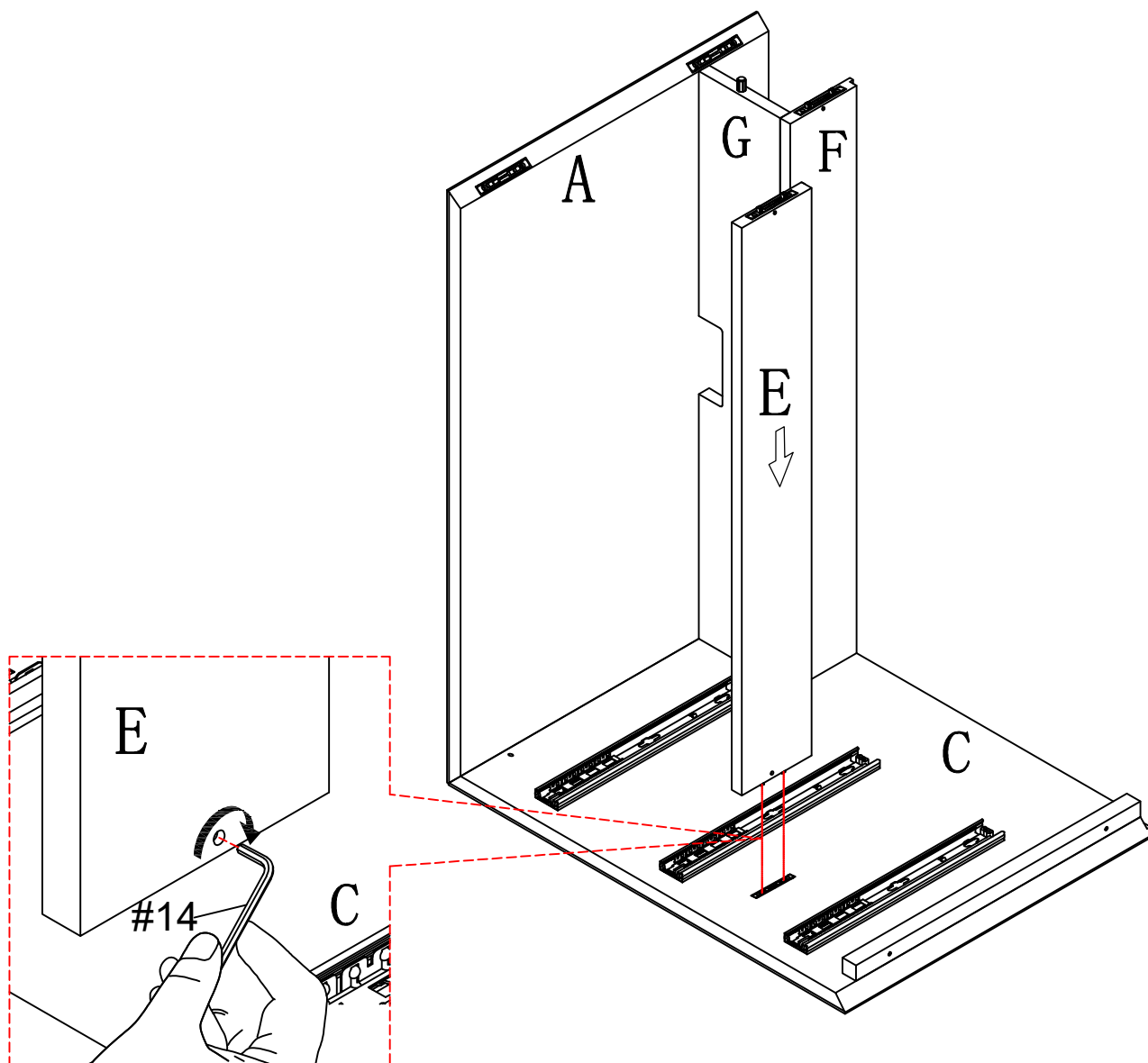


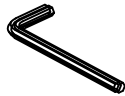
#14	x1
M4	

ASSEMBLY INSTRUCTIONS

STEP-3

1. Insert panel (E) into panel (C), make sure all holes aligned and then tighten it with allen key #14 as picture show.

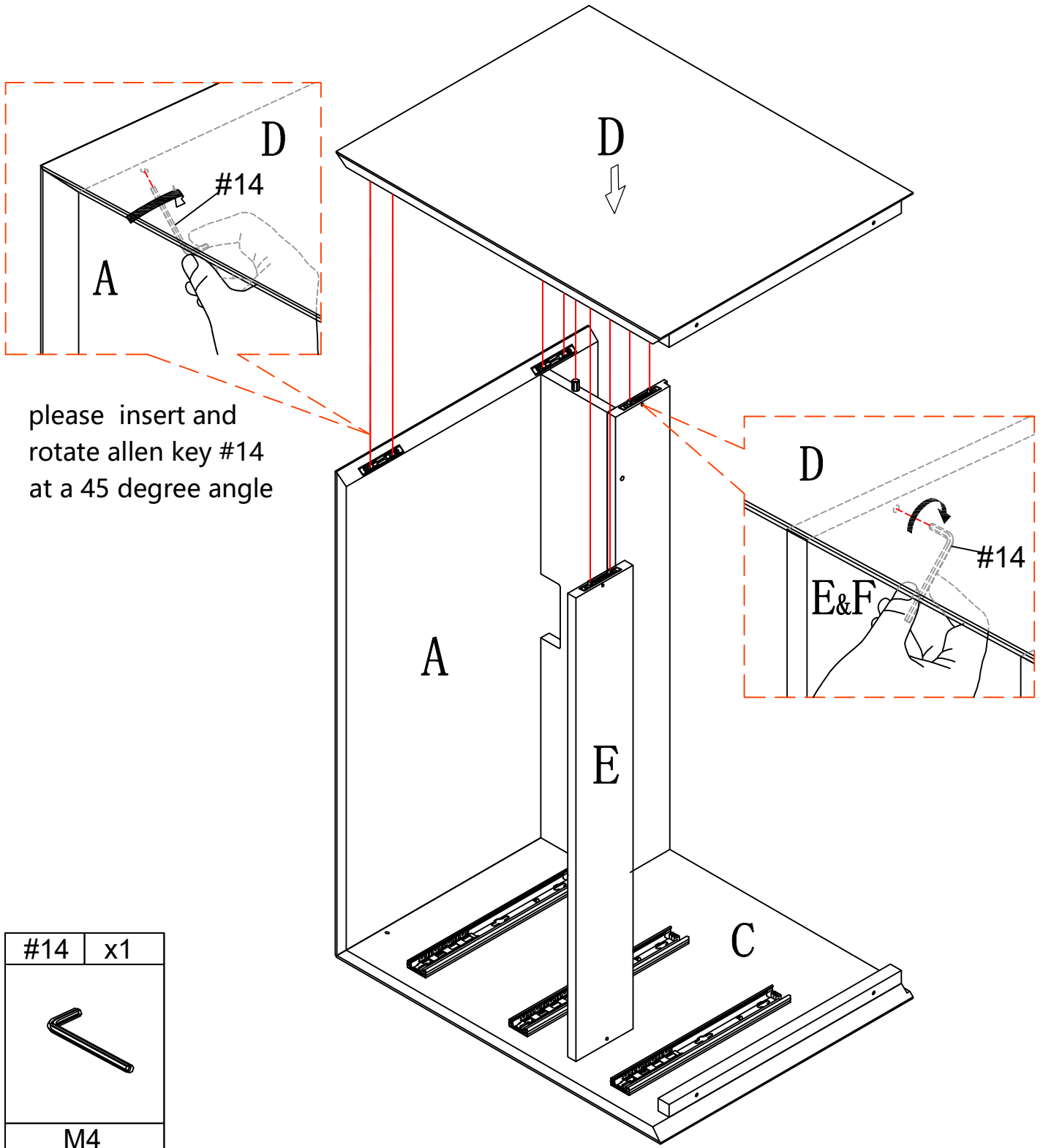


#14	x1
	
M4	

ASSEMBLY INSTRUCTIONS

STEP-4

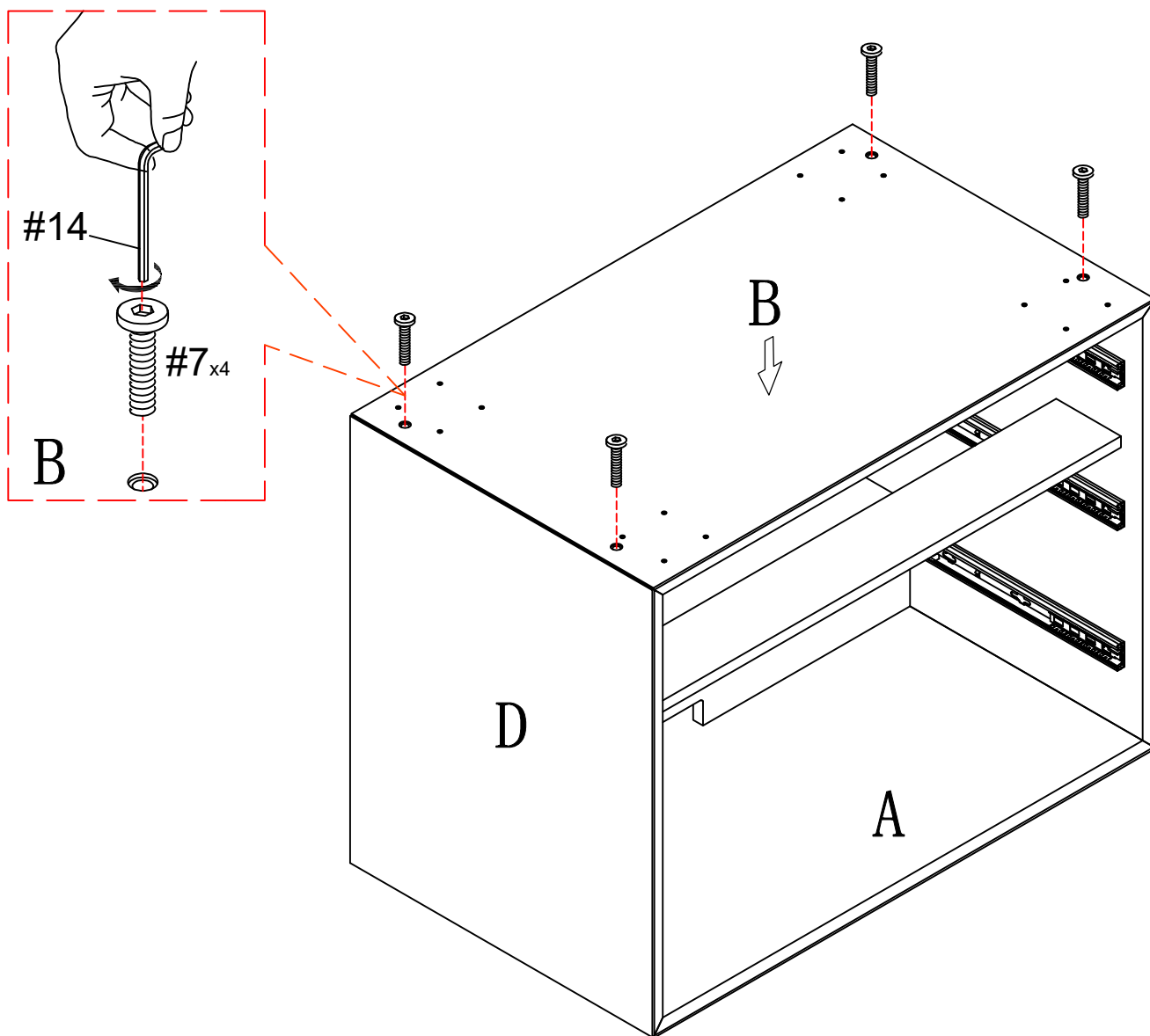
1. Insert panel (D) into the unit pre-assembled at step 3, make sure all holes aligned and then tighten it with allen key #14 as picture show.

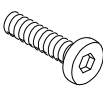
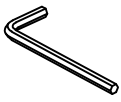


ASSEMBLY INSTRUCTIONS

STEP-5

1. connect part (B) to the unit pre-assembled at step 4 with bolt #7, and then tighten it with allen key #14 as picture show.

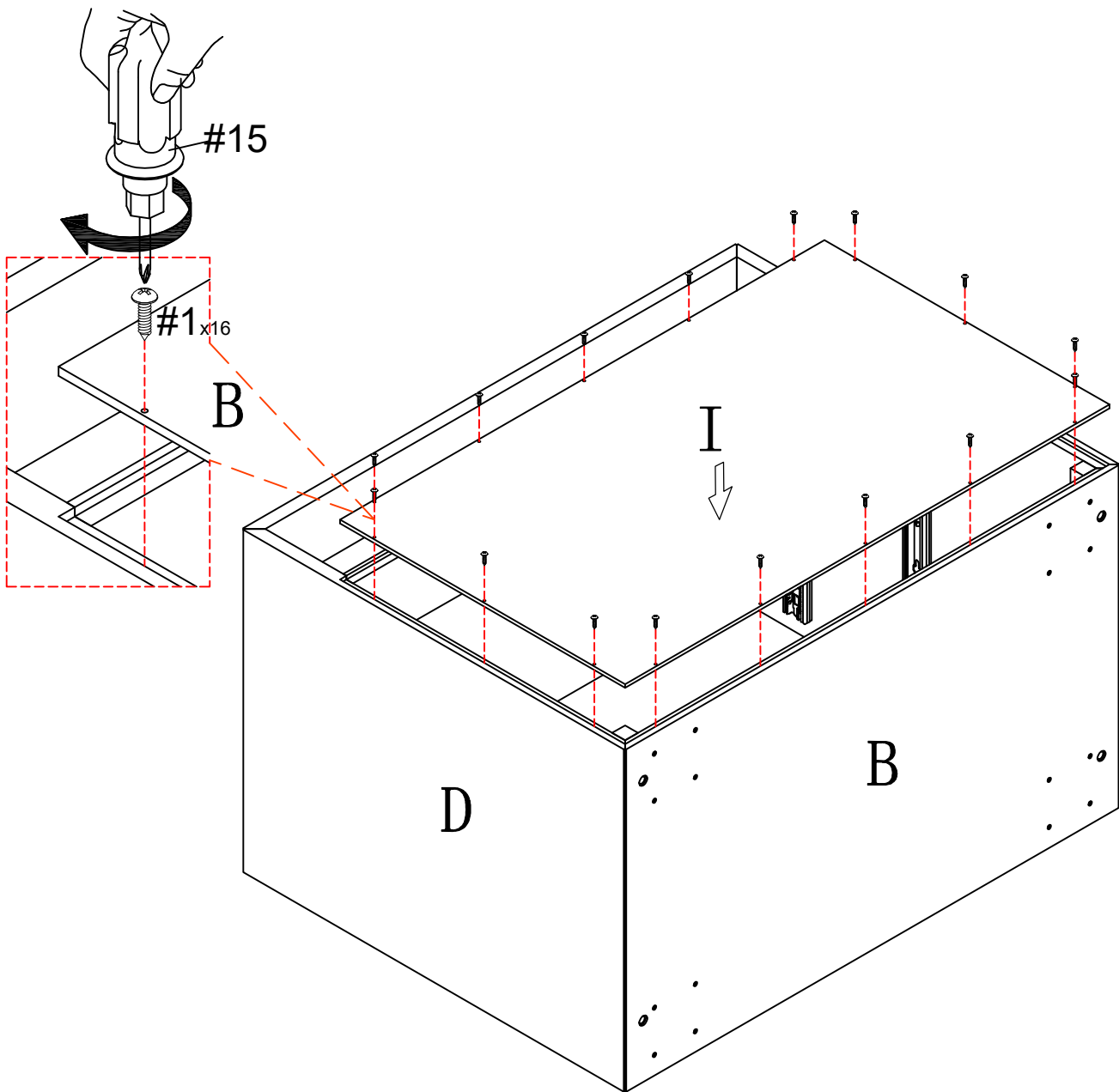


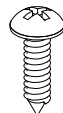
#7	x4	#9	x1
			
Ø1/4"×1"		M4	

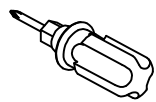
ASSEMBLY INSTRUCTIONS

STEP-6

1. connect part (I) to the unit pre-assembled at step 5 with screw #6, and then tighten it with screwdriver #15 as picture show.



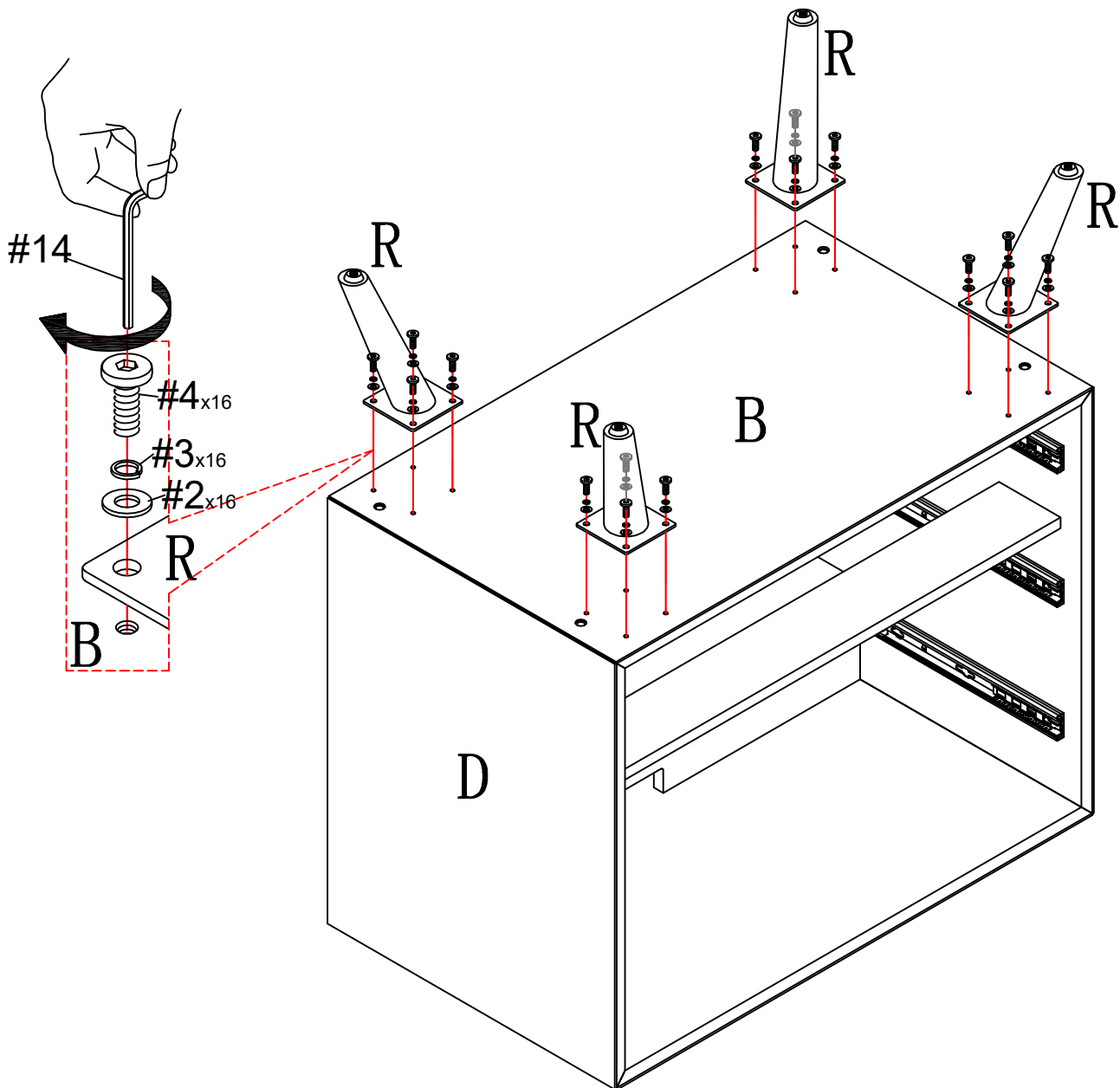
#1	x16
	
ø3*14mm	

#15	x1
	

ASSEMBLY INSTRUCTIONS

STEP-7

1. connect part (R) to the unit pre-assembled at step 6 with bolt #4, flat washer #2 and spring washer #3, and then tighten it with allen key #14 as picture show.

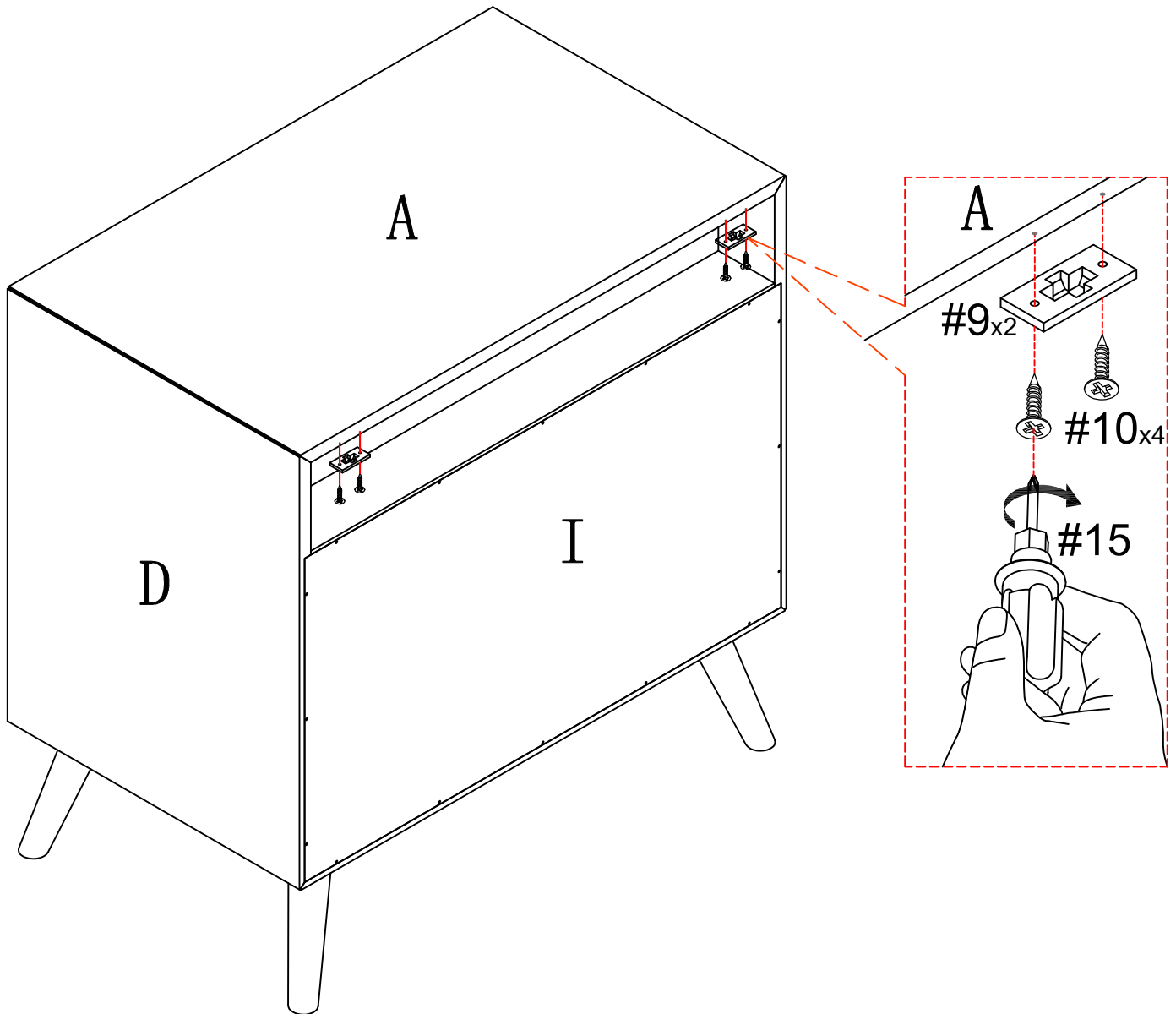


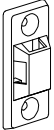

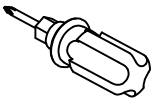
#2	x16	#3	x16	#4	x16	#14	x1
φ1/4"		φ1/4"		φ1/4"*1/2"		M4	

ASSEMBLY INSTRUCTIONS

STEP-8

1. connect part #9 to the unit pre-assembled at step 7 with screw #4, and then tighten it with screwdriver #15 as picture show.

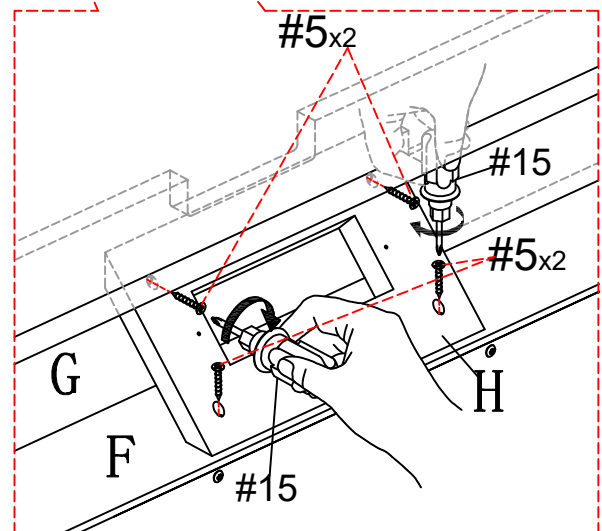
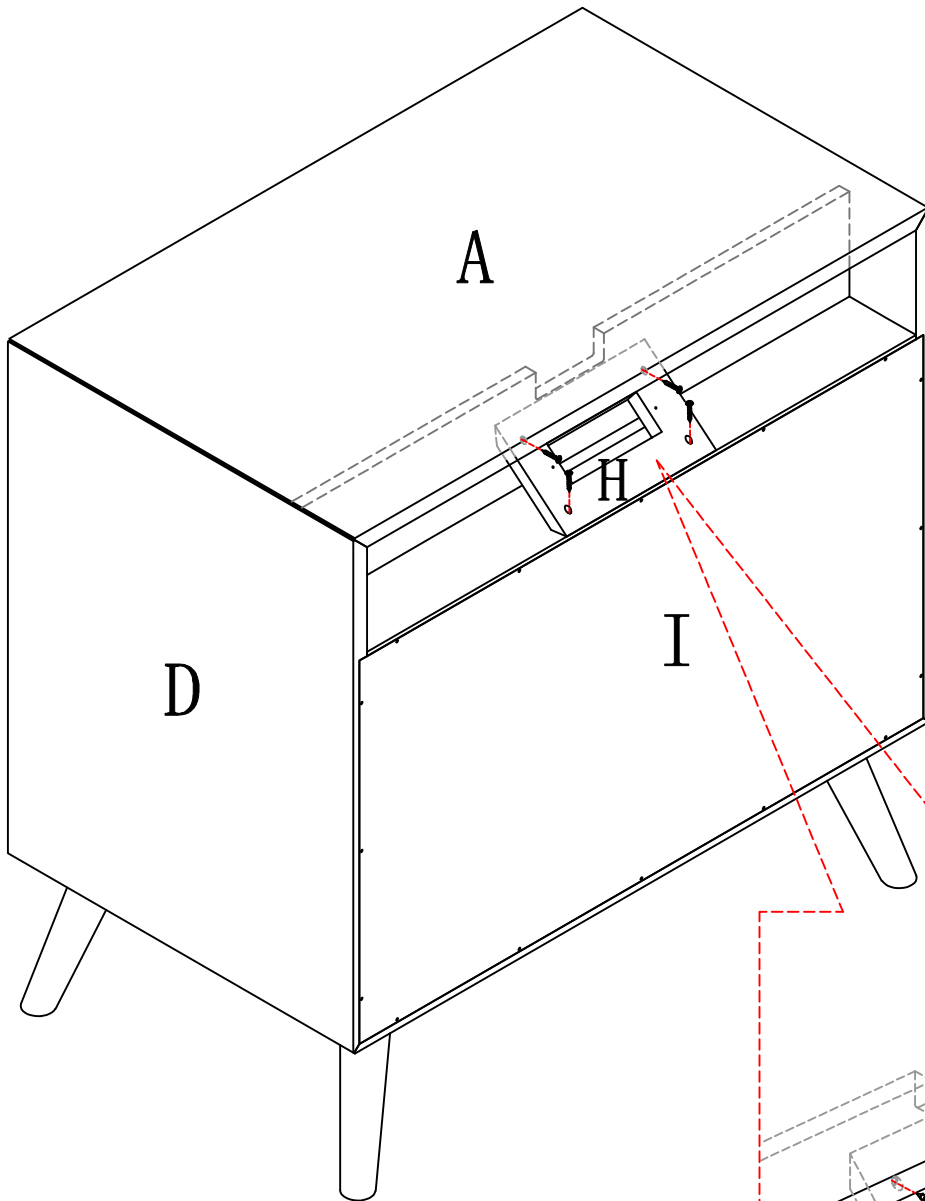


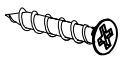
#9	x2	#10	x4	#15	x1
					
		φ3*16mm*6#			

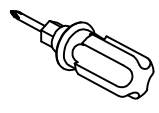
ASSEMBLY INSTRUCTIONS

STEP-9

1. connect part (H) to the unit pre-assembled at step 8 with screw #5, and then tighten it with screwdriver #15 as picture show.



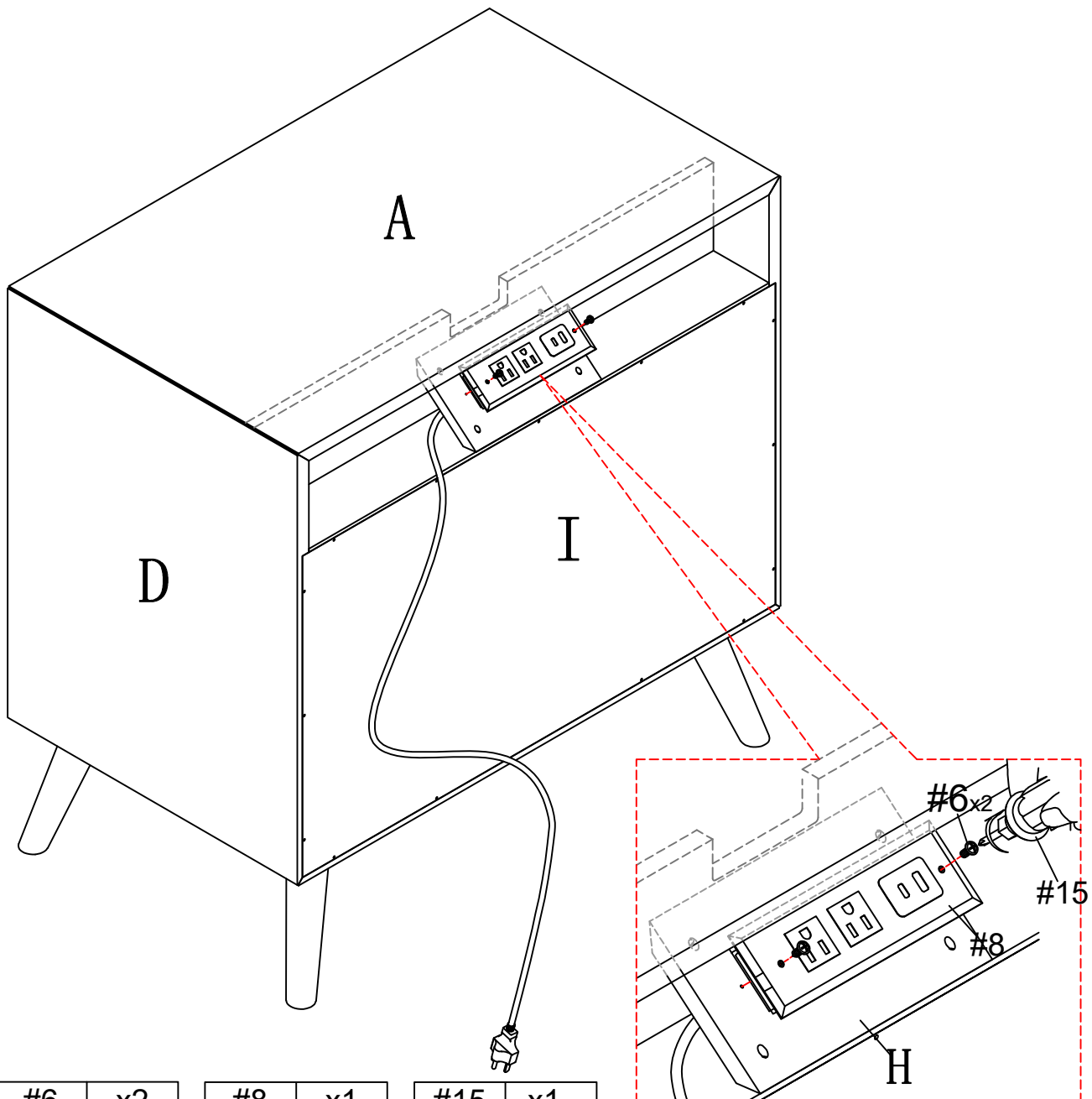
#5	x4
	
φ8#*1"	


#15	x1
	

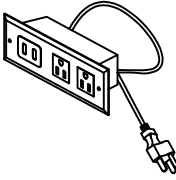
ASSEMBLY INSTRUCTIONS

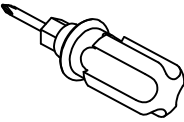
STEP-10

1. connect part #8 to the unit pre-assembled at step 9 with screw #6, and then tighten it with screwdriver #15 as picture show.



#6	x2
	
ø3*12mm	

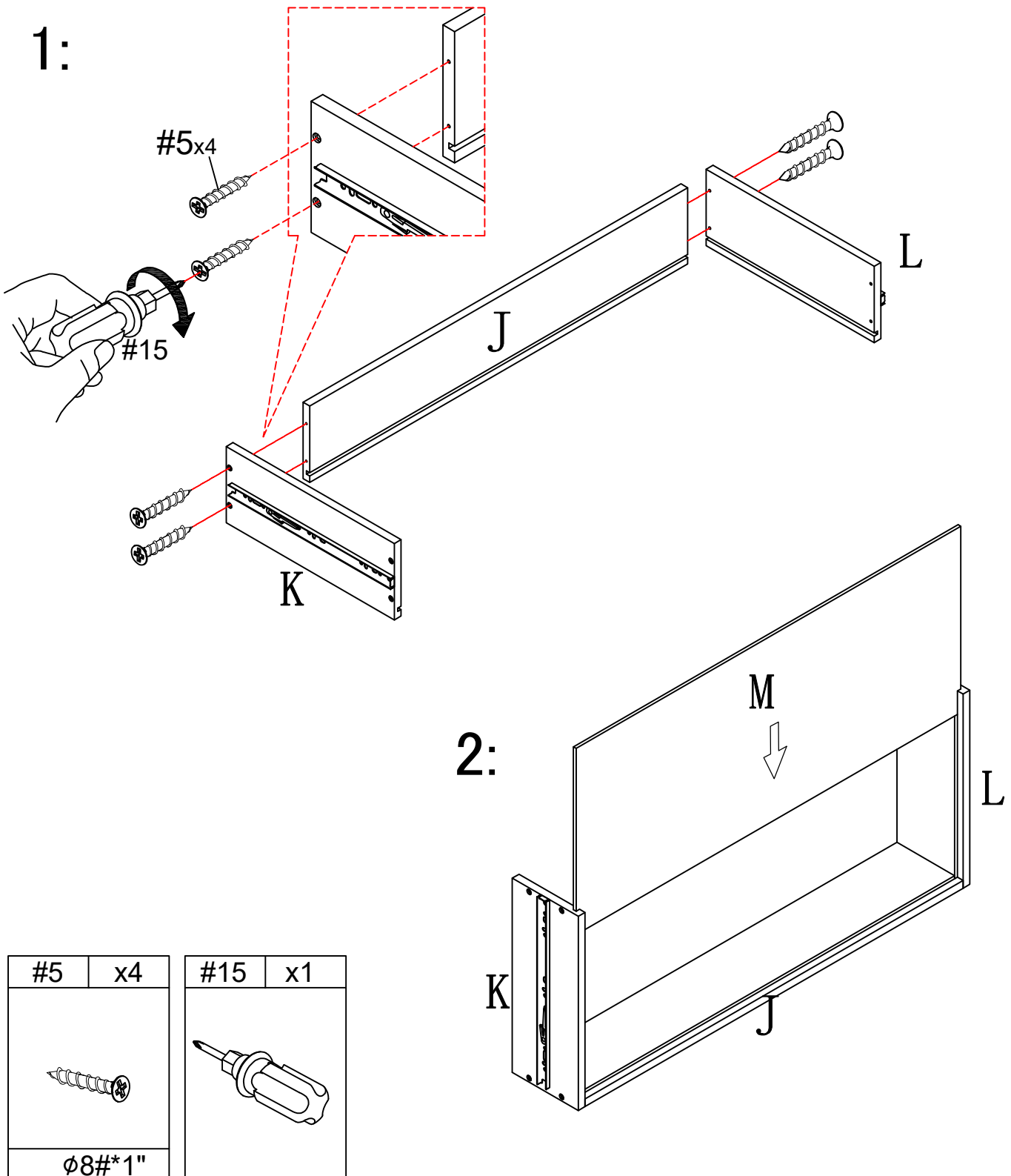
#8	x1
	

#15	x1
	

ASSEMBLY INSTRUCTIONS

STEP-11

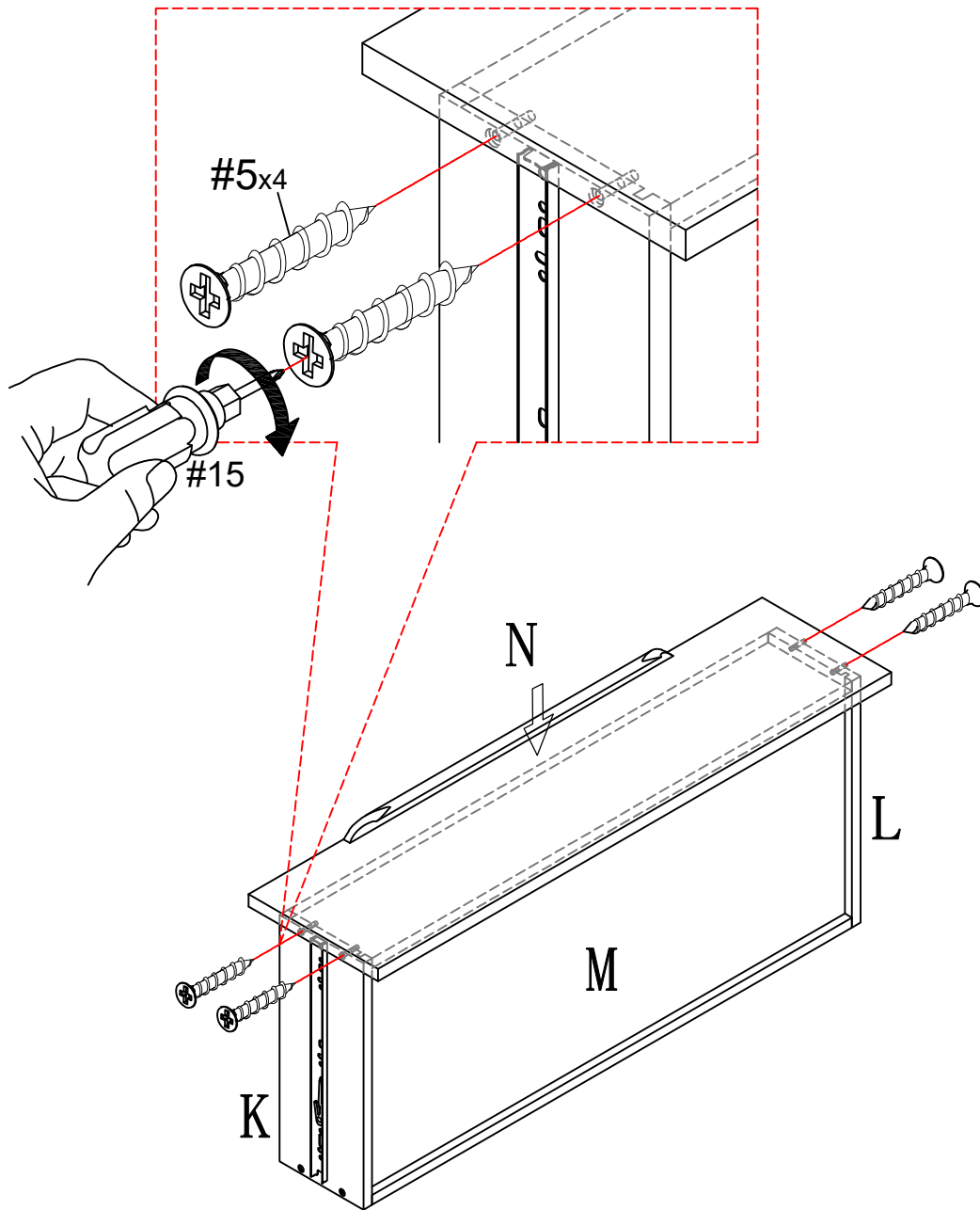
1. connect part (K/L) to part (J) with screw #5, and then tighten it with screwdriver #15 as picture show.
2. slide part(M) to part (K/L), make sure it also in the groove of part (J).

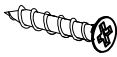
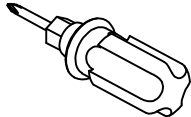


ASSEMBLY INSTRUCTIONS

STEP-12

1. connect part (K/L) to part (N) with screw #5, and then tighten it with screwdriver #15 as picture show.

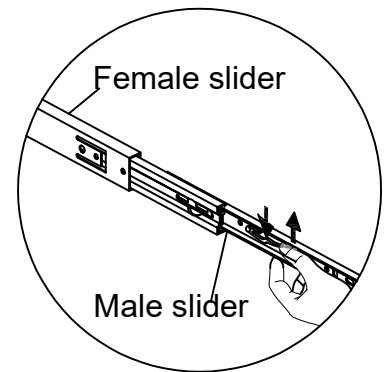
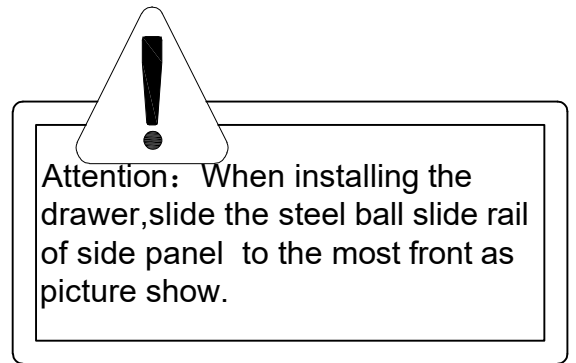
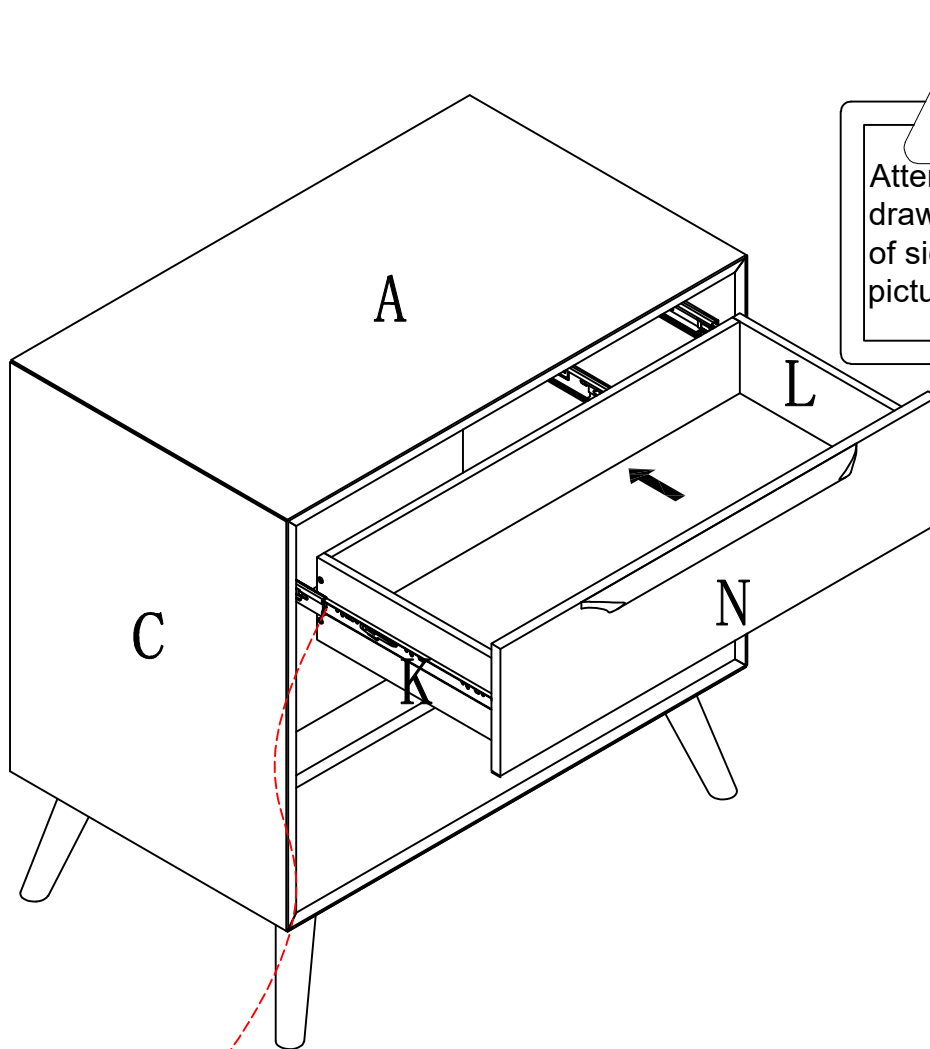


#5	x4	#15	x1
			
φ8#*1"			

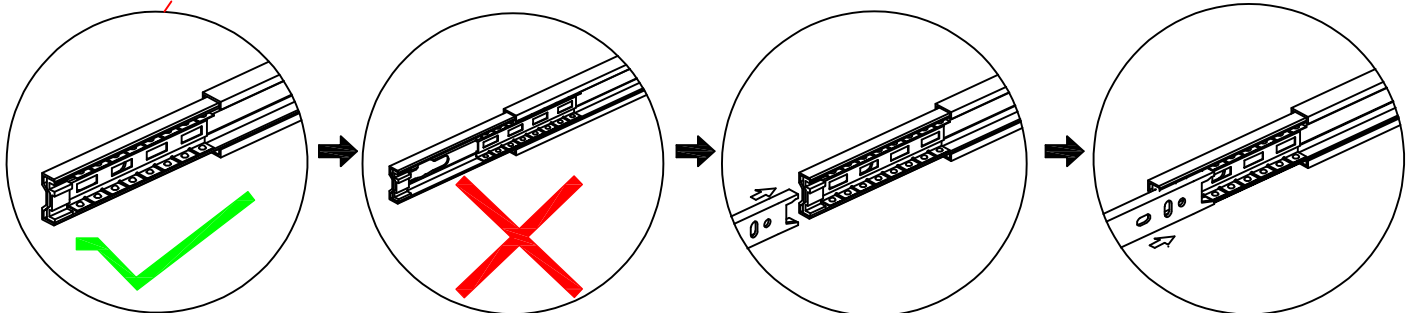
ASSEMBLY INSTRUCTIONS

STEP-13

1. attach top drawer to the body as picture.



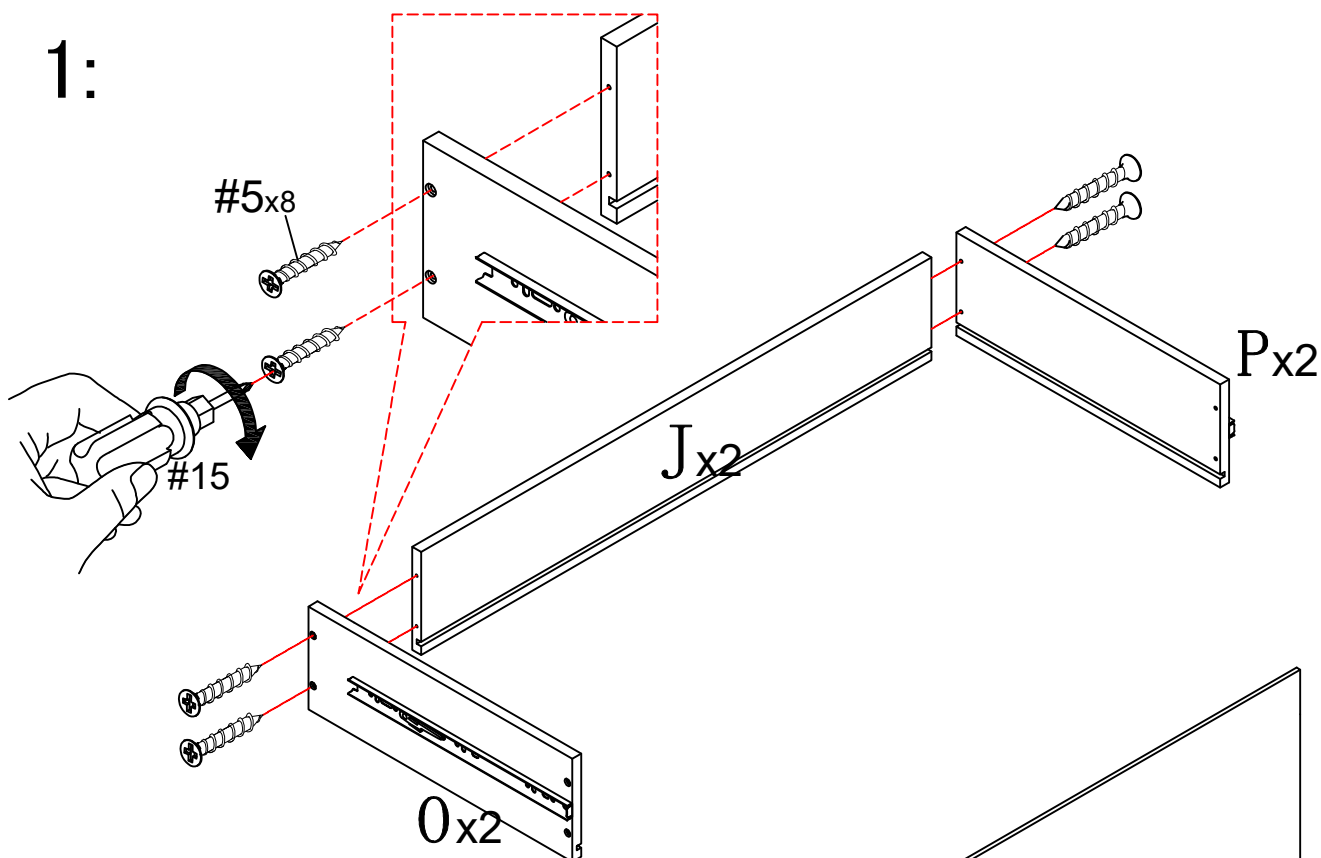
Schematic diagram of slide rail disassembly



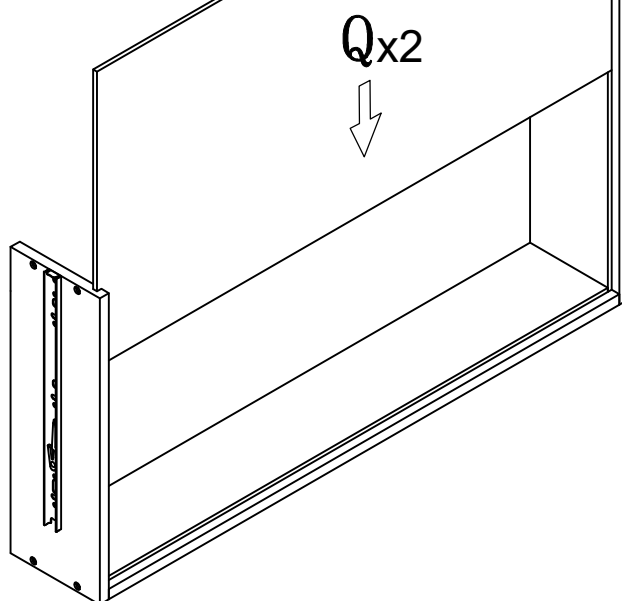
ASSEMBLY INSTRUCTIONS

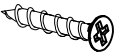
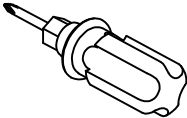
STEP-14

1. connect part (O/P) to part (J) with screw #5, and then tighten it with screwdriver #15 as picture show.
2. slide part(Q) to part (O/P), make sure it also in the groove of part (J).



2:

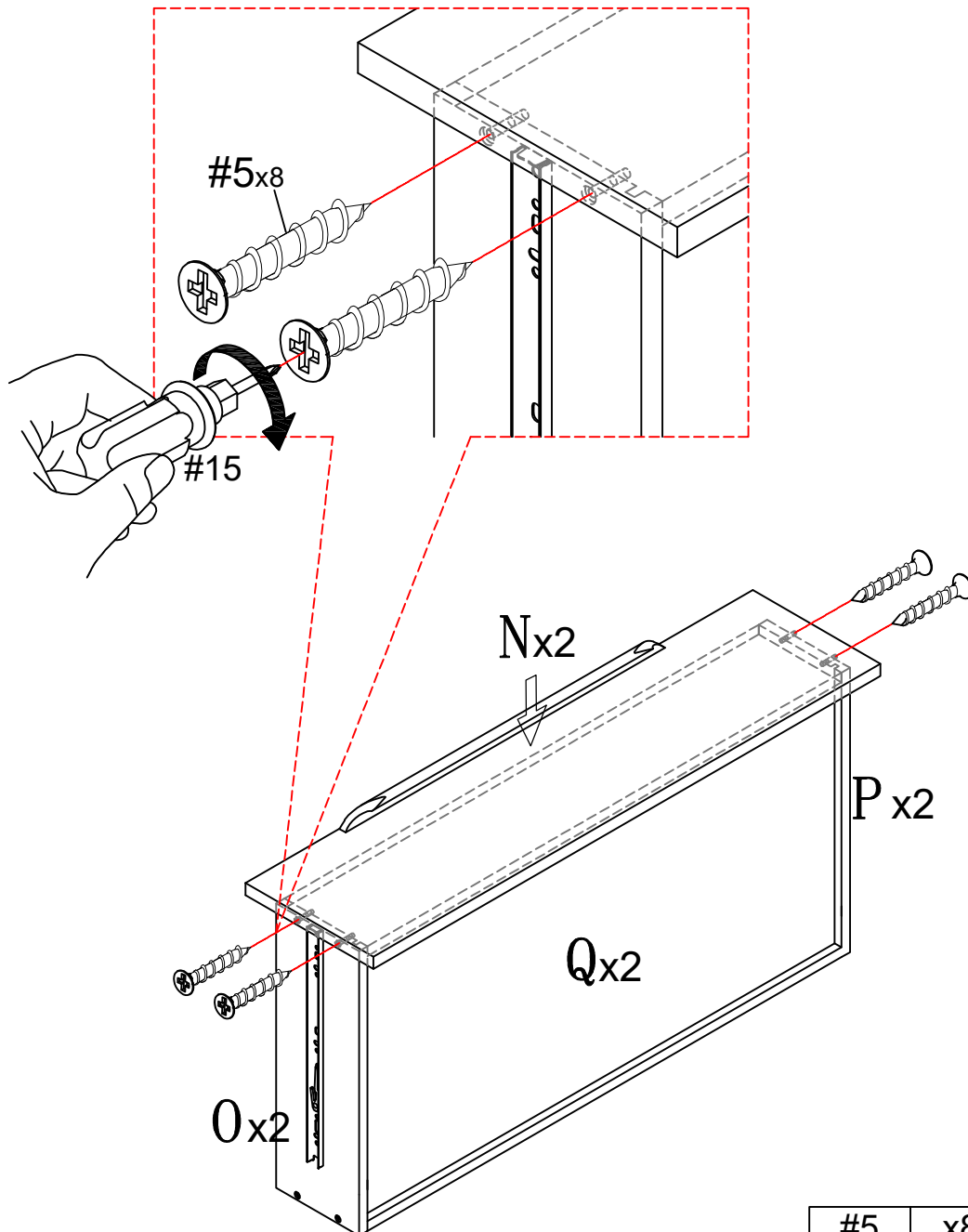


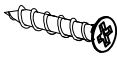
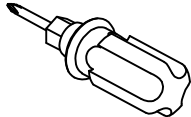
#5	x8	#15	x1
			
φ8#*1"			

ASSEMBLY INSTRUCTIONS

STEP-15

1. connect part (O/P) to part (N) with screw #5, and then tighten it with screwdriver #15 as picture show.

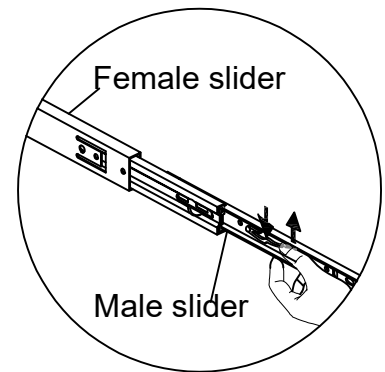
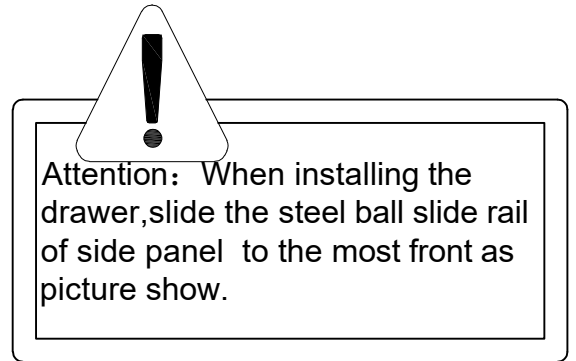
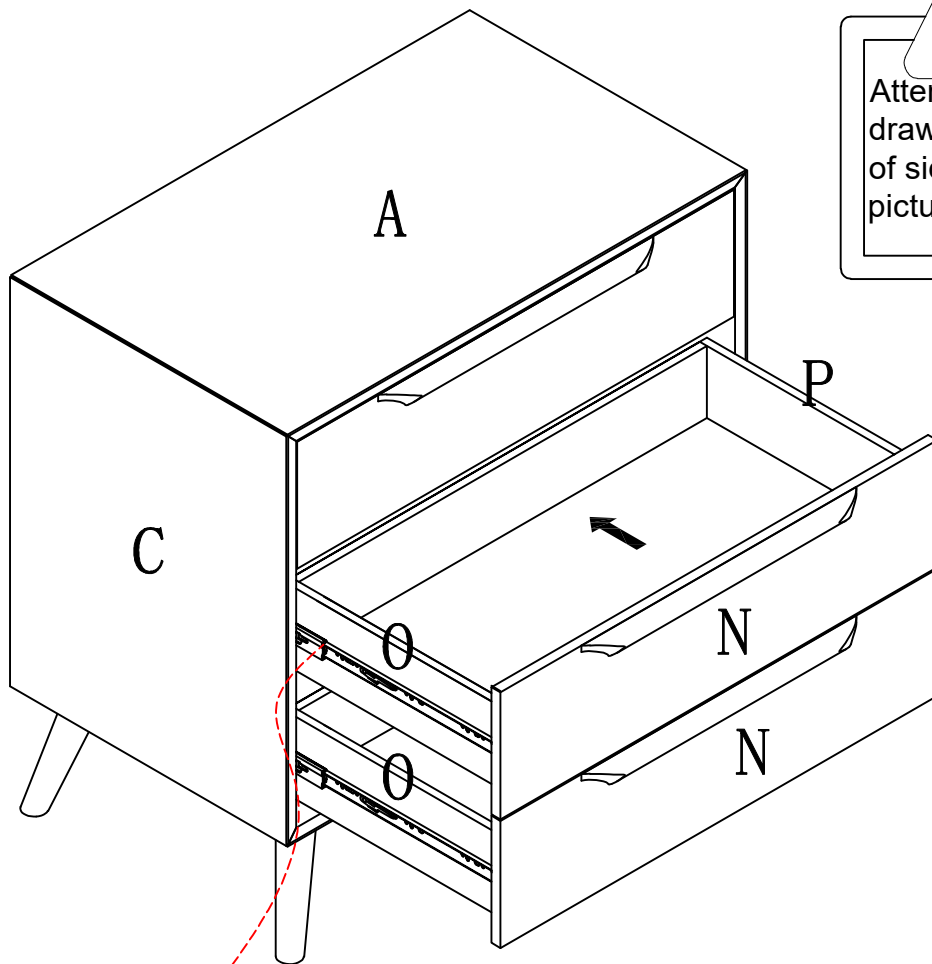


#5	x8	#15	x1
			
φ8#*1"			

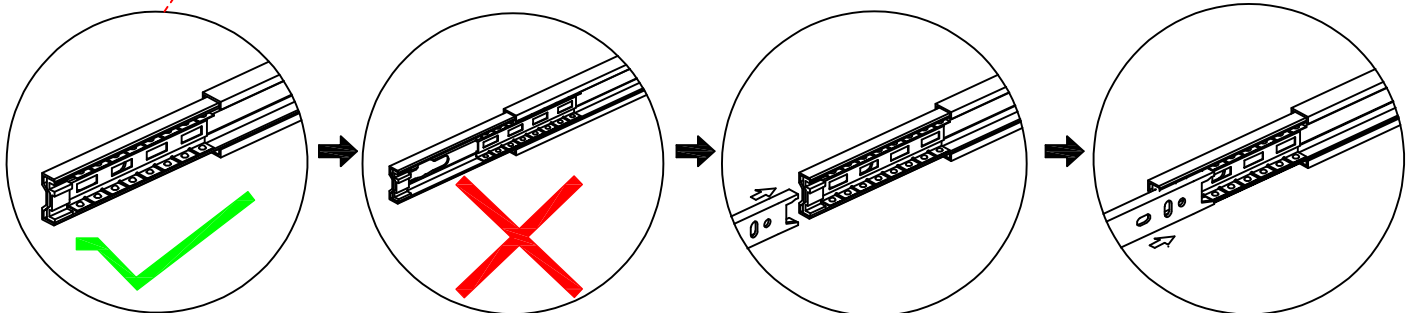
ASSEMBLY INSTRUCTIONS

STEP-16

1.attach bottom two drawer to the body as picture.

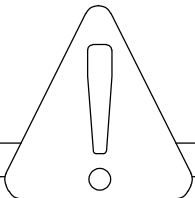
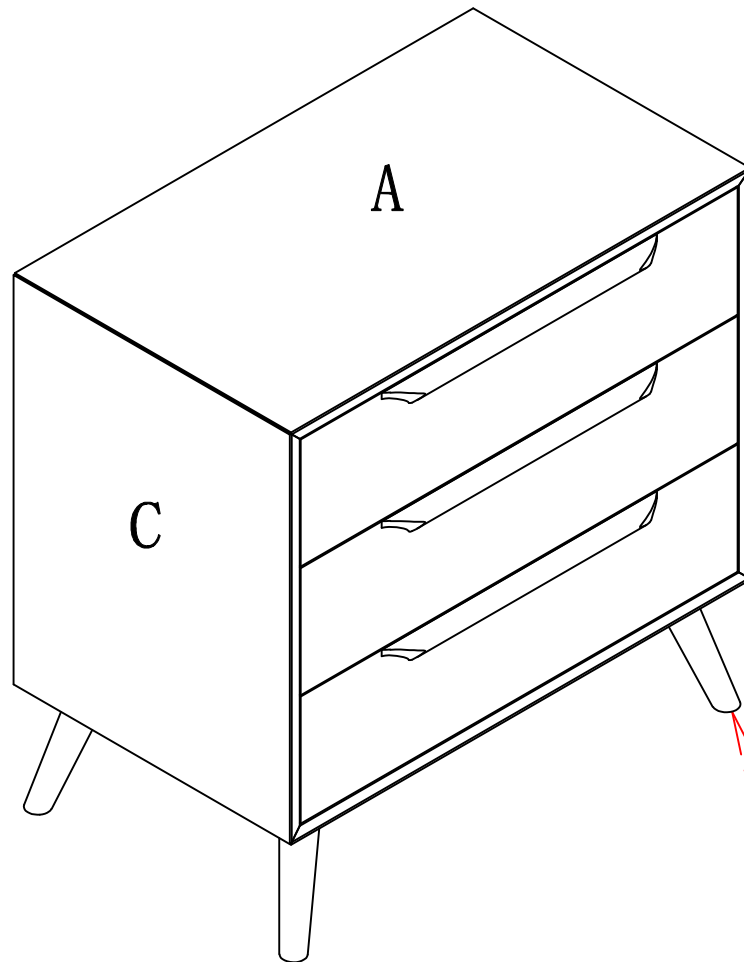


Schematic diagram of slide rail disassembly

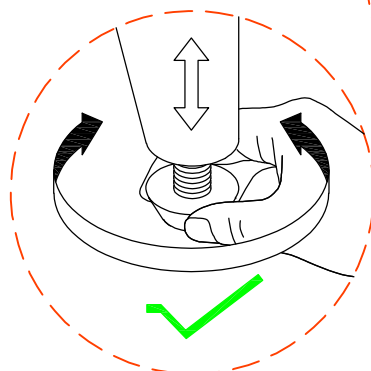
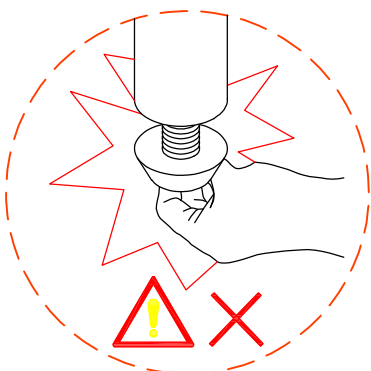
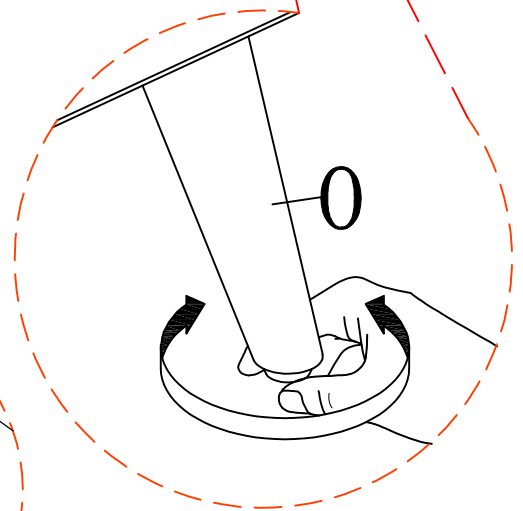


ASSEMBLY INSTRUCTIONS

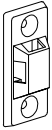


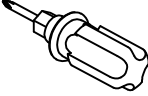
STEP-17



Attention:
Before the next step, adjust the feet of the locker to keep it level.

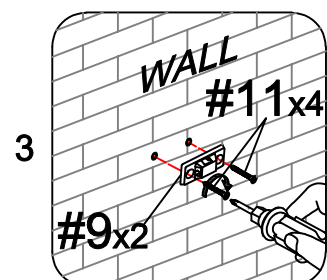
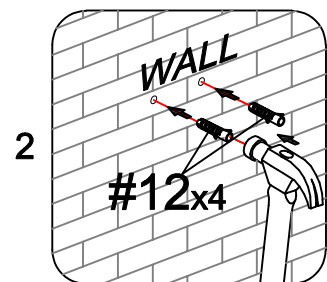
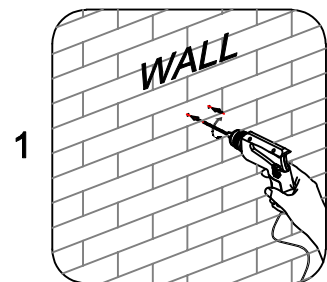
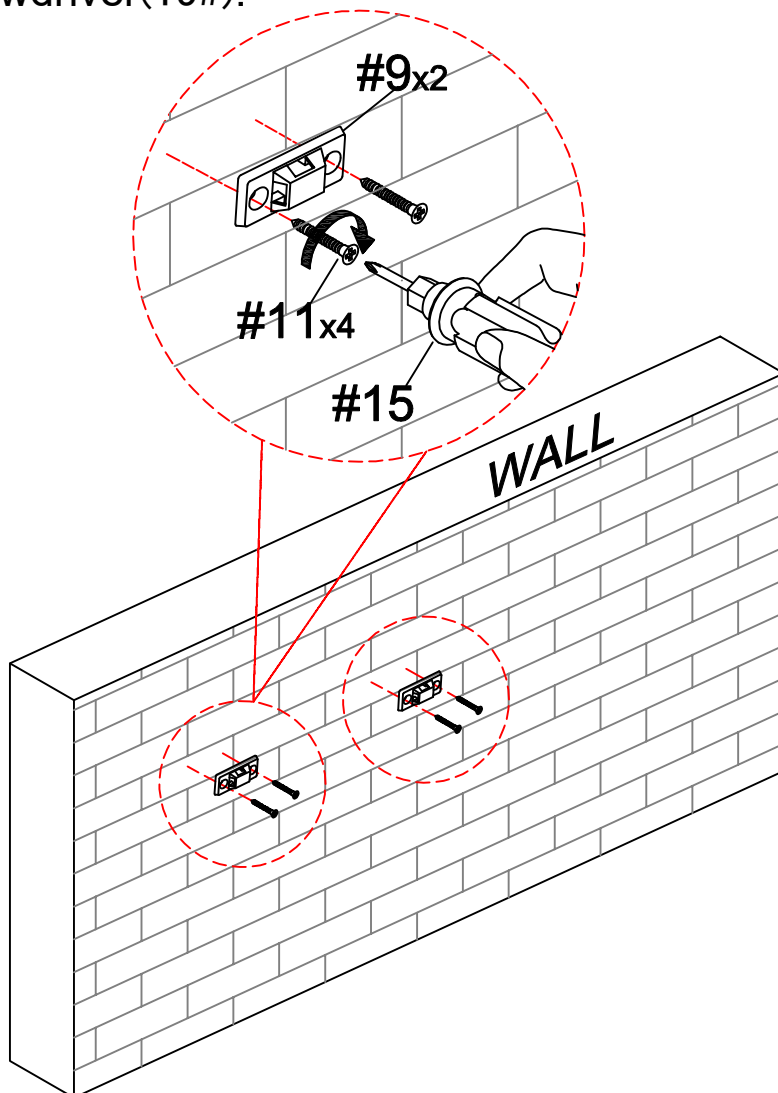


ASSEMBLY INSTRUCTIONS

#9	x2	#11	x4	#12	x4	#15	x1
							
		ø3.5*35mm*7#					

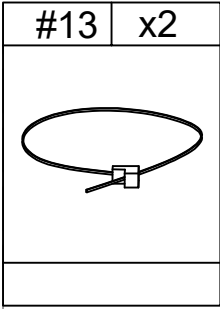
STEP-18

1. Install the anti-collapse device.
2. Mark the position on the wall, that corresponds to the location of part (9#) on the panel (A); Drill and insert the expandable screw (12#) by hammer.
3. Assemble the part (9#) to the wall. Align the hole in the part (9#) with the expandable screw (12#), use screw (11#) to attach it and tighten by screwdriver (15#).

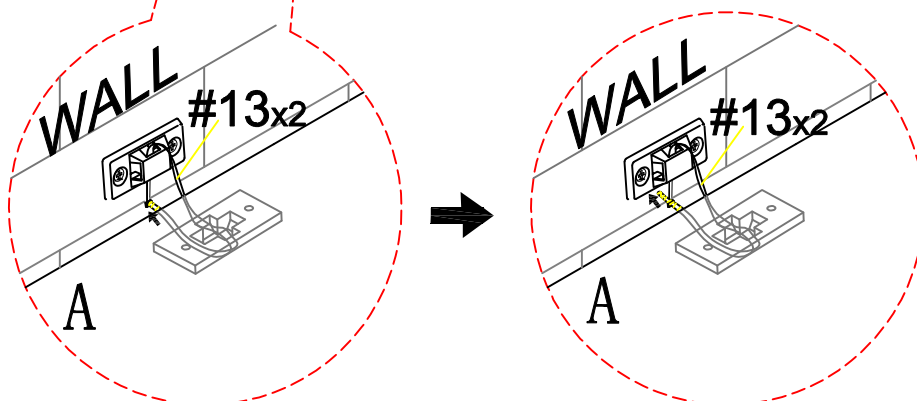
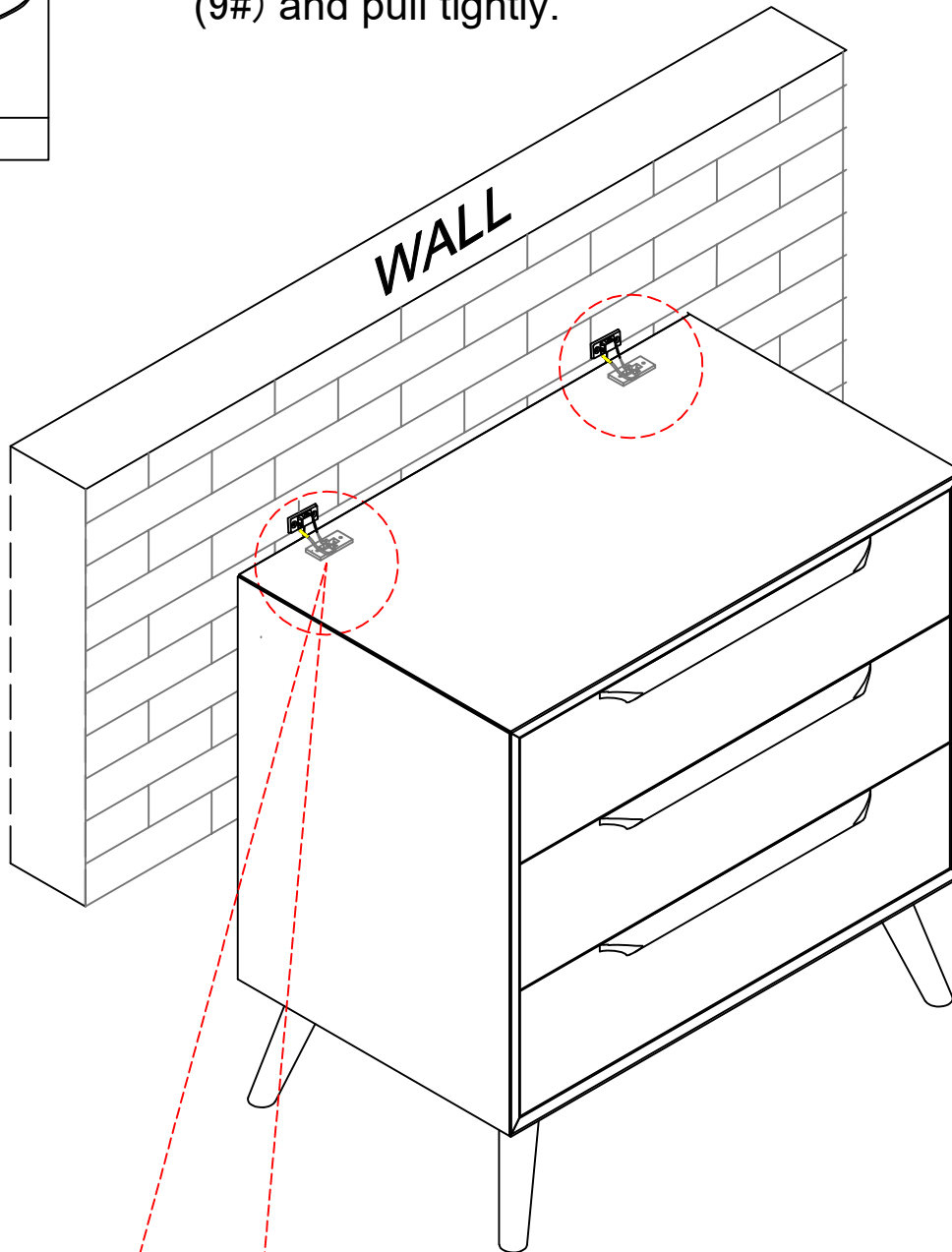


ASSEMBLY INSTRUCTIONS

STEP-19



1. Let the plastic belt (13#) pass through the both part (9#) and pull tightly.



WARRANTY

1. We strive to offer high-quality products, and we also try our best to satisfy each and every customer that orders from us with product or service as needed.
2. We provide 30 days warranty starting from the time you receive the item. Each customer must provide a record of their order such as the order number, or item receipt for any items that are out of the warranty period you may also still receive.
3. Replacement parts by purchasing them with our company if they are available.

Appreciate your purchasing from us.
Pop up your life by our furniture piece!