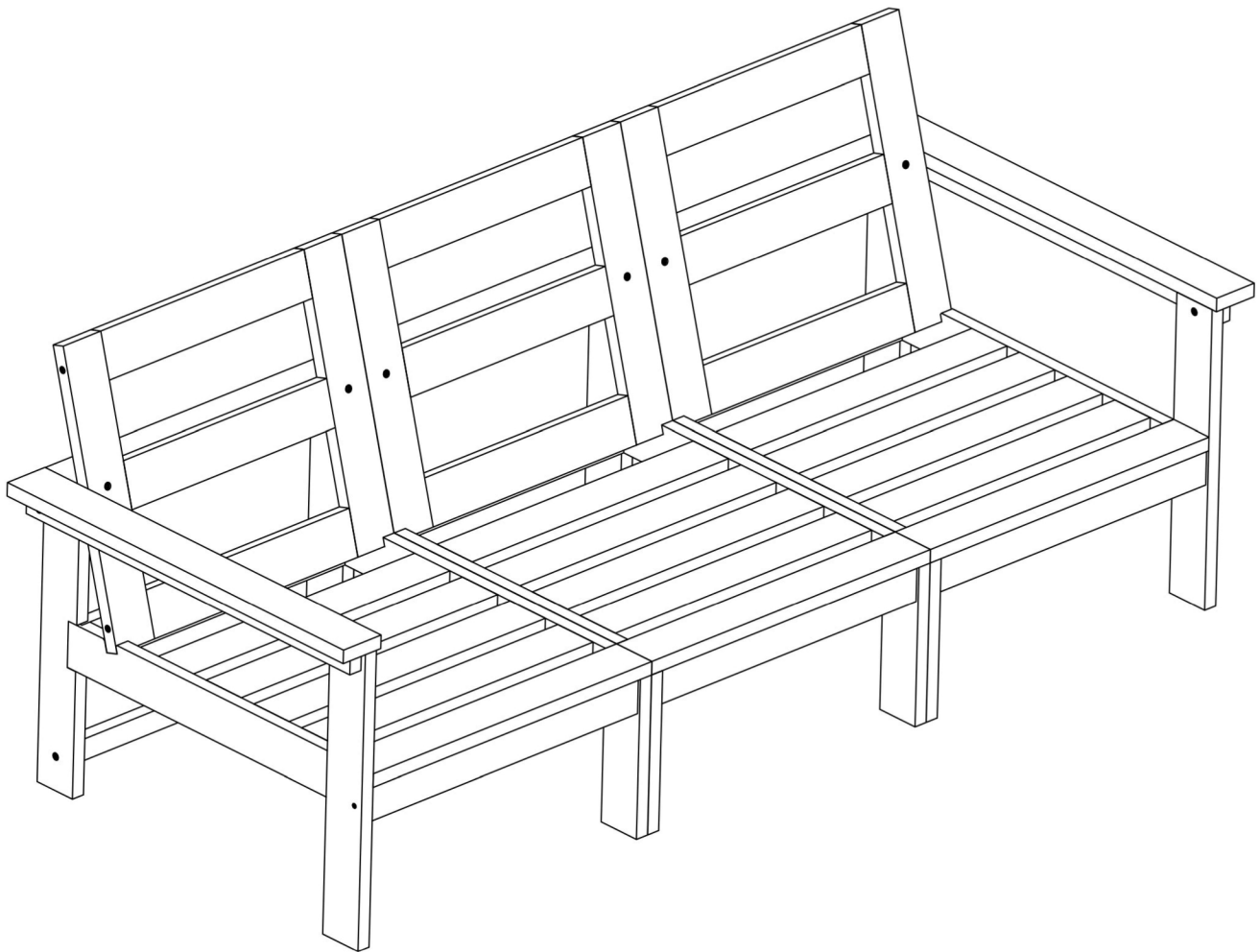


3-Seat Patio Sofa

Assembly Instructions

A116-002-001



Important - Please read these instructions fully before starting assembly

HASSLE-FREE WARRANTY

Serwall stands behind the quality of our products.
For full warranty policy, email: poly@homeselecting.com



360 LBS/SEAT
CAPACITY



1 PERSON
ASSEMBLY





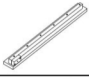



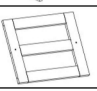

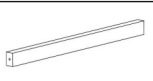
AROUND 45 MIN.
ASSEMBLY






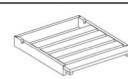
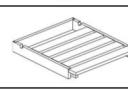

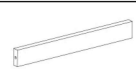
Components

If you need help or have damaged or missing parts, please email: poly@homeselecting.com

Please check you have all the components listed below.

Note: The illustration of the product shows the exact position of each part. Check when assembling.

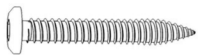
#		Description	Qty.
B		Right Front Long Leg	1
C		Left Front Long Leg	1
D		Right Armrest	1
E		Left Armrest	1
F		Rightmost Rear Leg	1
G		Leftmost Rear Leg	1
H		Backrest	3
I		Rear Leg Upper Rail	3
J		Rear Leg Bottom Rail	3

#		Description	Qty.
K		Right Front Short Leg	2
L		Left Front Short Leg	2
M		Right Rear Leg of Armless Chair	2
N		Left Rear Leg of Armless Chair	2
O		Seat Frame of Right Arm Chair	1
P		Seat Frame of Armless Chair	1
Q		Seat Frame of Left Arm Chair	1
S		Long Seat Front Panel	2
T		Short Seat Front Panel	1

Hardware & Tools

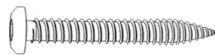
Note: The quantities below are the correct amount to complete the assembly. In some cases more fittings may be supplied than required.

① × 6



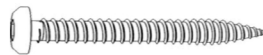
M5x50MM Screw

② × 6



M6x60MM Screws

③ × 12



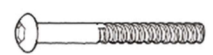
M6x120MM Screws

④ × 10



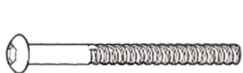
M6x40MM Bolts

⑤ × 12



M6x60MM Bolts

⑥ × 2



M6x110MM Bolts

⑦ × 12



Washer

⑧ × 12



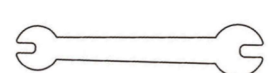
Nut

⑨



Hex Key (Included)

⑩



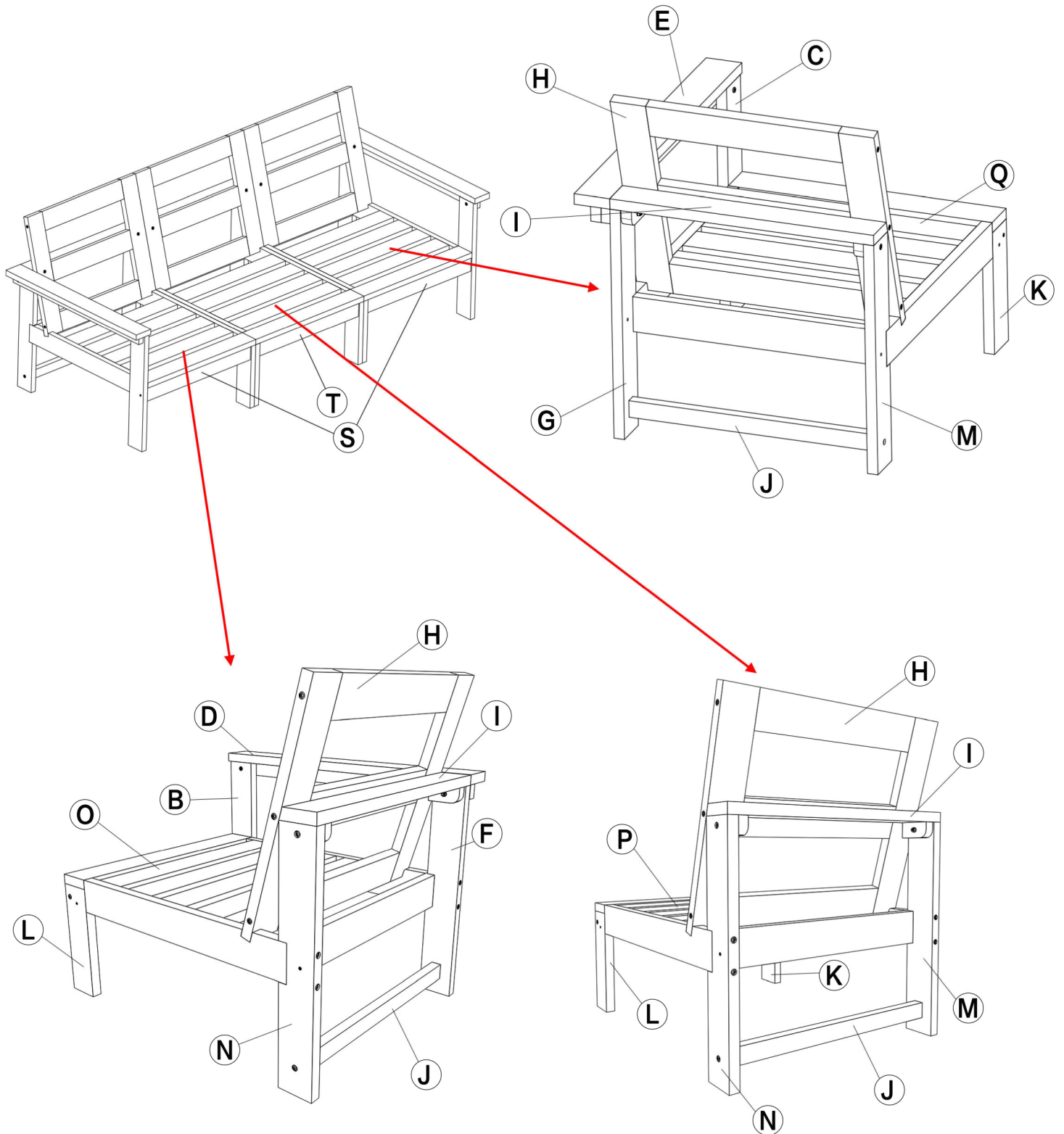
Wrench (Included)

Components

If you need help or have damaged or missing parts, please email: poly@homeselecting.com

Please check you have all the components listed below.

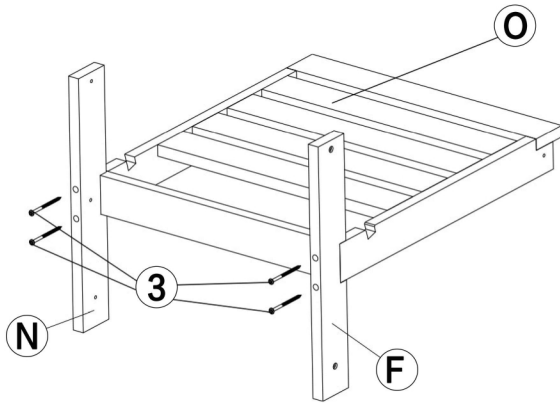
Note: The illustration of the product shows the exact position of each part. Check when assembling.



Right Arm Chair Assembly Instructions

If you need help or have damaged or missing parts, please email: poly@homeselecting.com

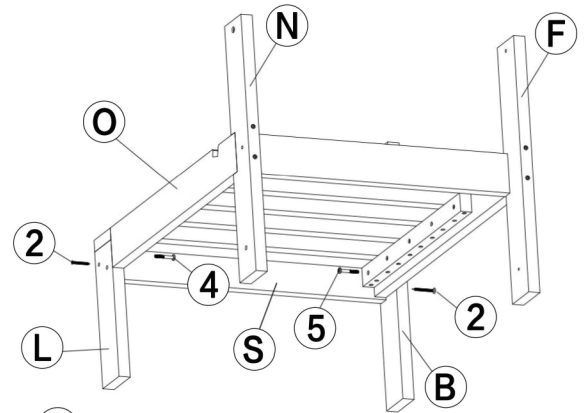
⚠ Caution: Please do not over-tighten bolts and screws during assembly.



③ x4

STEP 1.1

● Attach "Rightmost Rear Leg (F)" and "Left Rear Leg of Armless Chair (N)" to "Seat Frame of Right Arm Chair (O)" - Using "③M6 x 120MM Screws" ,tighten with hex key.

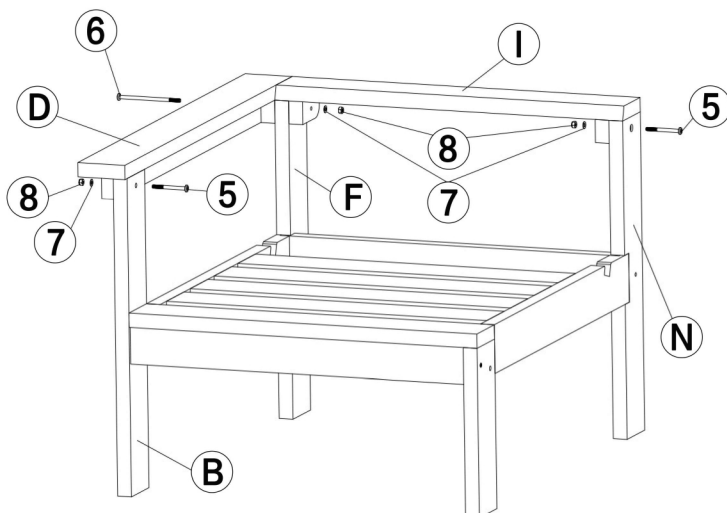


② x2 ④ x1

⑤ x1

STEP 1.2

● Attach "Seat Frame of Right Arm Chair (O)" to "Right Front Long Leg (B)" - Using "⑤M6 x 60MM Bolts" ,tighten with hex key.
 ● Attach "Seat Frame of Right Arm Chair (O)" to "Left Front Short Leg (L)" - Using "④M6 x 40MM Bolts" ,tighten with hex key.
 ● Attach "Front Leg (B/L)" to "Long Seat Front Panel (S)" - Using "②M6 x 60MM Screws" ,tighten with hex key.



⑤ x2 ⑥ x1

⑦ x3 ⑧ x3

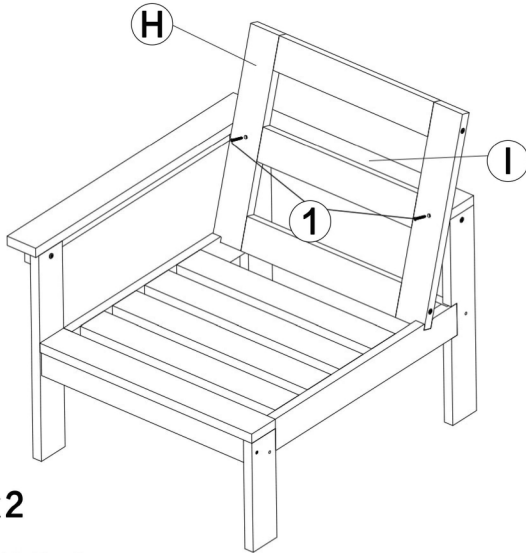
STEP 1.3

● Attach "Right Armrest (D)" to "Right Front Long Leg (B)" - Using "⑤M6 x 60MM Bolts" with "⑦Washer" and "⑧Nut" , tighten with hex key and wrench.
 ● Attach "Rear Leg Upper Rail (I)" to "Rightmost Rear Leg (F)" and "Right Armrest (D)" - Using "⑥M6 x 110MM Bolts" with "⑦Washer" and "⑧Nut" , tighten with hex key and wrench.
 ● Attach "Rear Leg Upper Rail (I)" to "Left Rear Leg of Armless Chair (N)" - Using "⑤M6 x 60MM Bolts" with "⑦Washer" and "⑧Nut" , tighten with hex key and wrench.

Right Arm Chair Assembly Instructions

If you need help or have damaged or missing parts, please email: poly@homeselecting.com

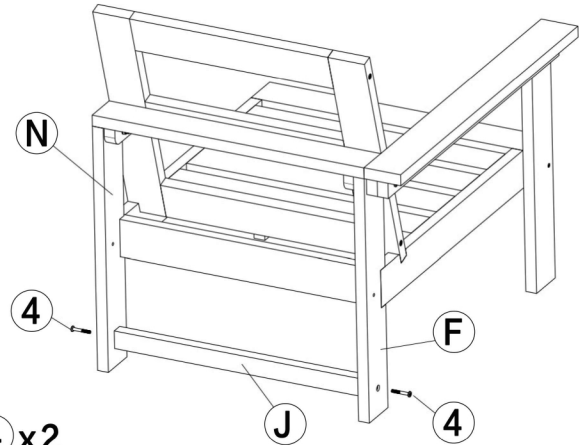
⚠ Caution: Please do not over-tighten bolts and screws during assembly.



①x2

STEP 1.4

● Attach "Backrest (H)" to "Rear Leg Upper Rail (I)" - Using "①M5 x 50MM Screws" ,tighten with hex key.



④x2

STEP 1.5

● Attach "Rear Leg Bottom Rail (J)" to "Rear Leg (F/N)" - Using "④M6 x 40MM Bolts" ,tighten with hex key.



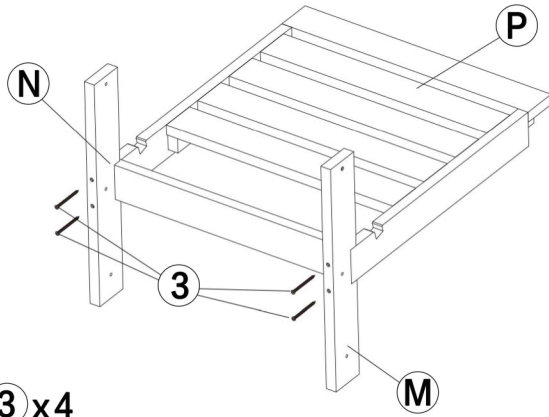
STEP 1.6

● Right Arm Chair is ready for use.

Armless Chair Assembly Instructions

If you need help or have damaged or missing parts, please email: poly@homeselecting.com

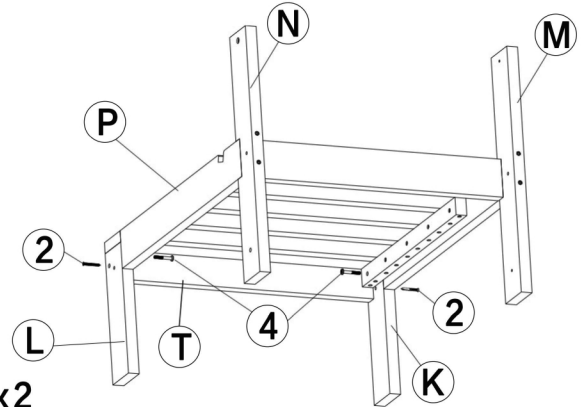
⚠ Caution: Please do not over-tighten bolts and screws during assembly.



③x4

STEP 2.1

● Attach "Right Rear Leg of Armless Chair (M)" and "Left Rear Leg of Armless Chair (N)" to "Seat Frame of Armless Chair (P)" - Using "③M6 x 120MM Screws" ,tighten with hex key.

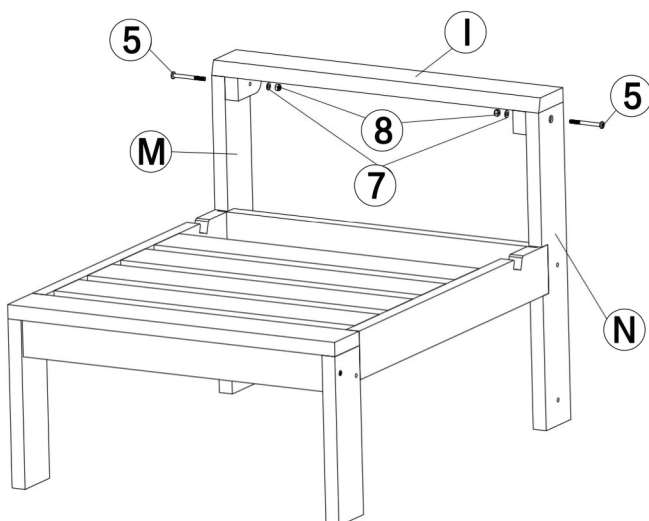


②x2

④x2

STEP 2.2

● Attach "Seat Frame of Armless Chair (P)" to "Right Front Short Leg (K)" and "Left Front Short Leg (L)" - Using "④M6 x 40MM Bolts" ,tighten with hex key.
● Attach "Front Shorter Leg (K/L)" to "Short Seat Front Panel (T)" - Using "②M6 x 60MM Screws" ,tighten with hex key.



⑤x2

⑦x2

⑧x2

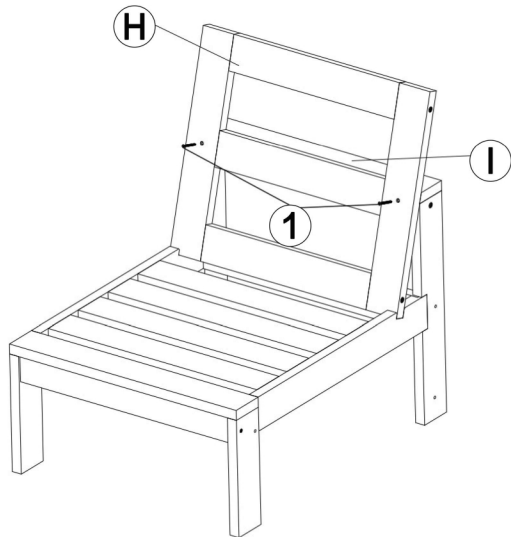
STEP 2.3

● Attach "Rear Leg Upper Rail (I)" to "Rear Leg of Armless Chair (M/N)" - Using "⑤M6 x 60MM Bolts" with "⑦Washer" and "⑧Nut" , tighten with hex key and wrench.

Armless Chair Assembly Instructions

If you need help or have damaged or missing parts, please email: poly@homeselecting.com

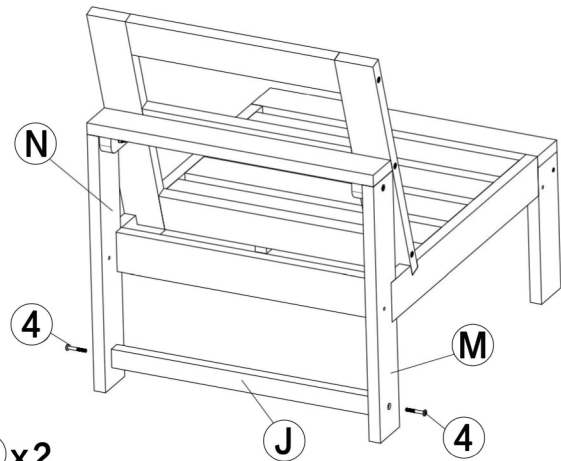
⚠ Caution: Please do not over-tighten bolts and screws during assembly.



①x2

STEP 2.4

● Attach "Backrest (H)" to "Rear Leg Upper Rail (I)" - Using "①M5 x 50MM Screws" ,tighten with hex key.



④x2

STEP 2.5

● Attach "Rear Leg Bottom Rail (J)" to "Rear Leg of Armless Chair (M/N)" - Using "④M6 x 40MM Bolts" ,tighten with hex key.



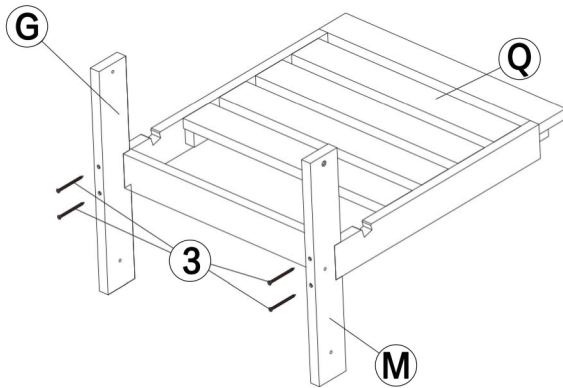
STEP 2.6

● Armless Chair is ready for use.

Left Arm Chair Assembly Instructions

If you need help or have damaged or missing parts, please email: poly@homeselecting.com

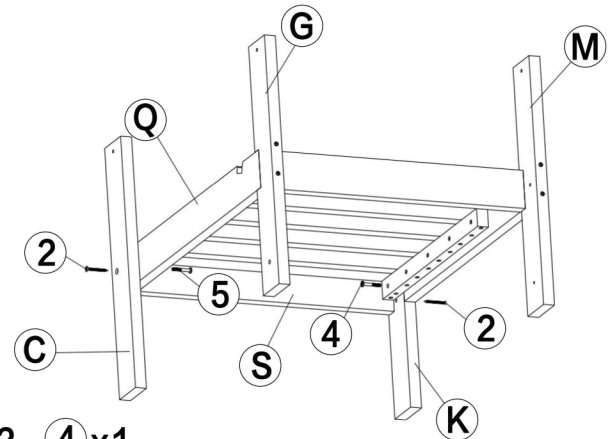
⚠ Caution: Please do not over-tighten bolts and screws during assembly.



③x4

STEP 3.1

● Attach "Right Rear Leg of Armless Chair (M)" and "Leftmost Rear Leg (G)" to "Seat Frame of Left Arm Chair (Q)" - Using "③ M6 x 120MM Screws" ,tighten with hex key.

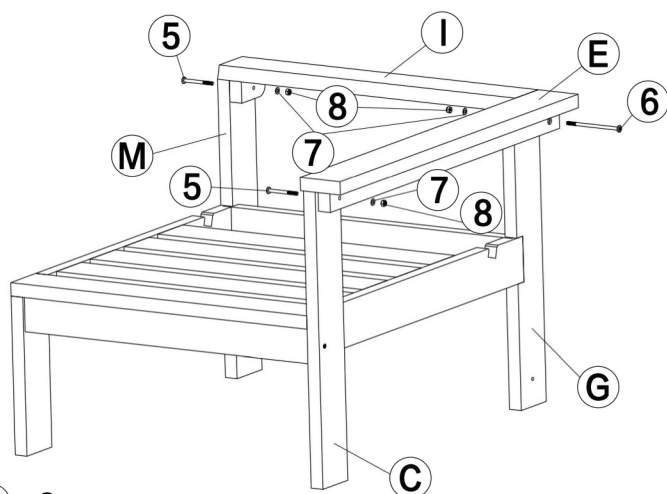


②x2 ④x1

⑤x1

STEP 3.2

- Attach "Seat Frame of Left Arm Chair (Q)" to "Right Front Short Leg (K)" - Using "④M6 x 40MM Bolts" ,tighten with hex key.
- Attach "Seat Frame of Left Arm Chair (Q)" to "Left Front Long Leg (C)" - Using "⑤M6 x 60MM Bolts" ,tighten with hex key.
- Attach "Front Leg (K/C)" to "Long Seat Front Panel (S)" - Using "②M6 x 60MM Screws" ,tighten with hex key.



⑤x2

⑥x1

⑦x3

⑧x3

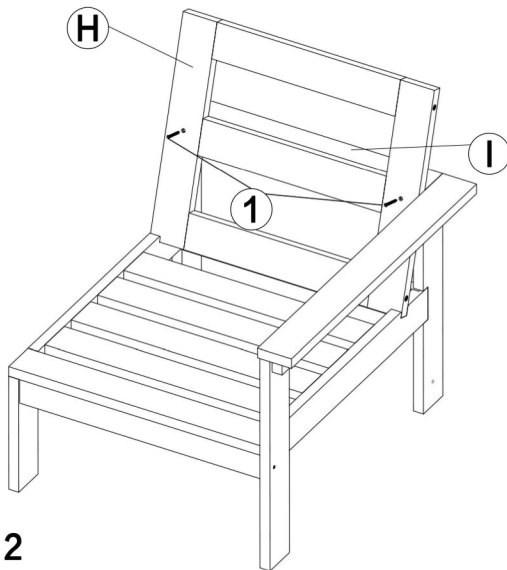
STEP 3.3

- Attach "Left Armrest (E)" to "Left Front Long Leg (C)" - Using "⑤M6 x 60MM Bolts" with "⑦Washer" and "⑧Nut" , tighten with hex key and wrench.
- Attach "Rear Leg Upper Rail (I)" to "Leftmost Rear Leg (G)" and "Left Armrest (E)" - Using "⑥M6 x 110MM Bolts" with "⑦Washer" and "⑧Nut" , tighten with hex key and wrench.
- Attach "Rear Leg Upper Rail (I)" to "Right Rear Leg of Armless Chair (M)" - Using "⑤M6 x 60MM Bolts" with "⑦Washer" and "⑧Nut" , tighten with hex key and wrench.

Left Arm Chair Assembly Instructions

If you need help or have damaged or missing parts, please email: poly@homeselecting.com

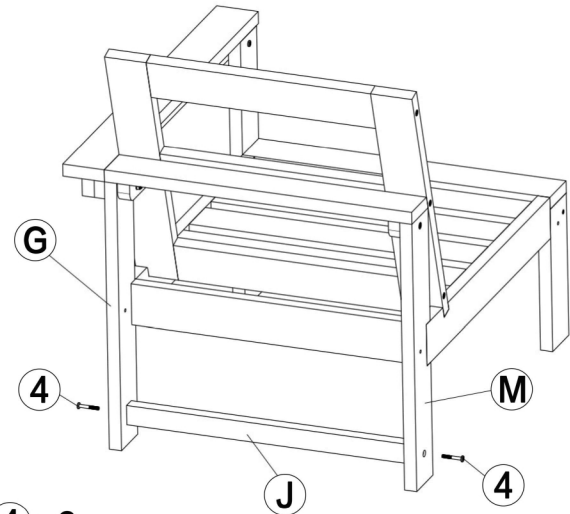
⚠ Caution: Please do not over-tighten bolts and screws during assembly.



① x2

STEP 3.4

● Attach "Backrest (H)" to "Rear Leg Upper Rail (I)" - Using "①M5 x 50MM Screws" ,tighten with hex key.



④ x2

STEP 3.5

● Attach "Rear Leg Bottom Rail (J)" to "Rear Leg (M/G)" - Using "④M6 x 40MM Bolts" ,tighten with hex key.



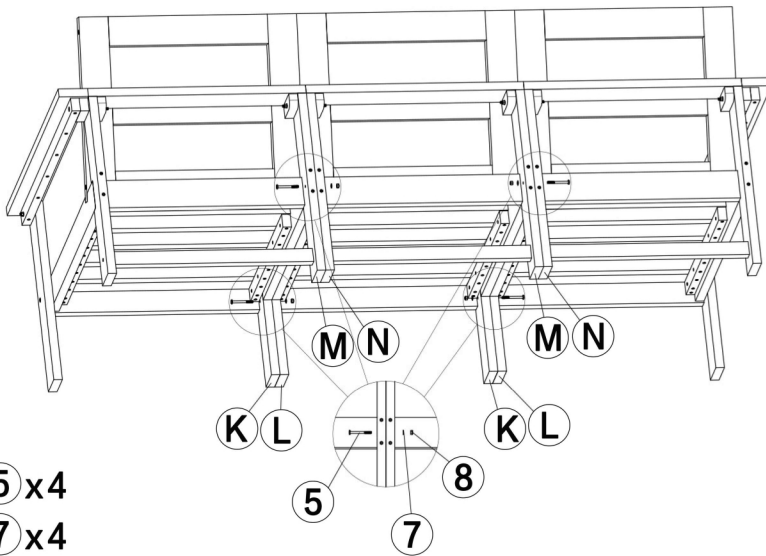
STEP 3.6

● Left Arm Chair is ready for use.

Assembly Instructions

If you need help or have damaged or missing parts, please email: poly@homeselecting.com

⚠ Caution: Please do not over-tighten bolts and screws during assembly.



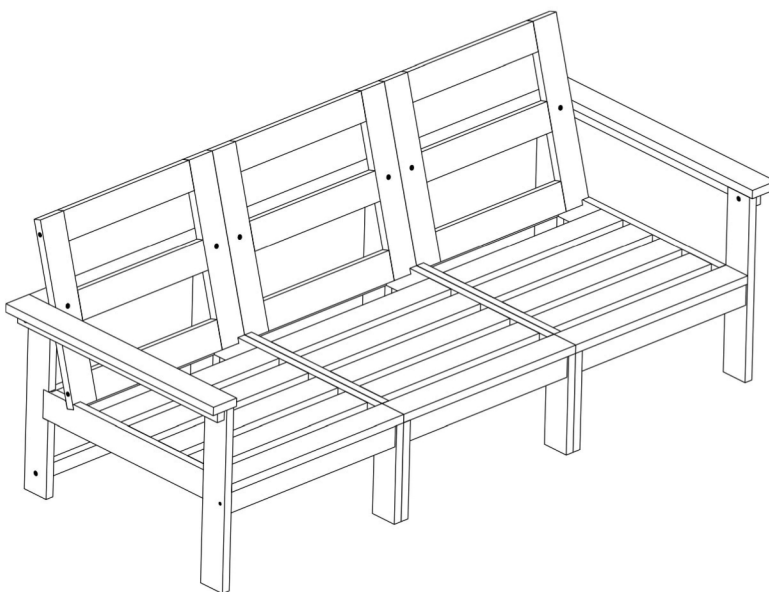
⑤ x4

⑦ x4

⑧ x4

STEP 4.1

● Attach "Front Short Leg (K/L)" and "Rear Leg of Armless Chair (M/N)" - Using "⑤M6 x 60MM Bolts" with "⑦Washer" and "⑧Nut" , to keep the sofas connected, tighten with hex key and wrench.



STEP 4.2

● 3-Seat Patio Sofa is ready for use.

Warnings

If you need help or have damaged or missing parts, please email: poly@homeselecting.com

Important - Please read these instructions fully before starting assembly

Check you have all the components and tools listed on the page 2.

Remove all fittings from the plastic bags and separate them into their groups.

Keep children and animals away from the work area, small parts may cause choking if swallowed.

Make sure you have enough space to layout the parts before starting.

Assemble on a soft level surface to avoid damaging the unit or your floor.

Do not stand or put weight on the product, this could cause damage.

Assemble the item as close to its final position (in the same area) as possible.

Do not place furniture directly in front of radiators, fires, or any other source of heat.



The assembly will be easier with 2 people while 1 person could also do the job.



Refer to the LISTING page for specific installation videos.

Cleaning & Maintenance

- Clean the product with a solution of mild soap and water. Dip a soft cloth or sponge into the solution and wipe down the entire surface.
- After cleaning, thoroughly rinse the furniture with water to remove any remaining soap residue.
- When not in use, cover the product with a protective cover to keep it clean and prolong its lifespan.