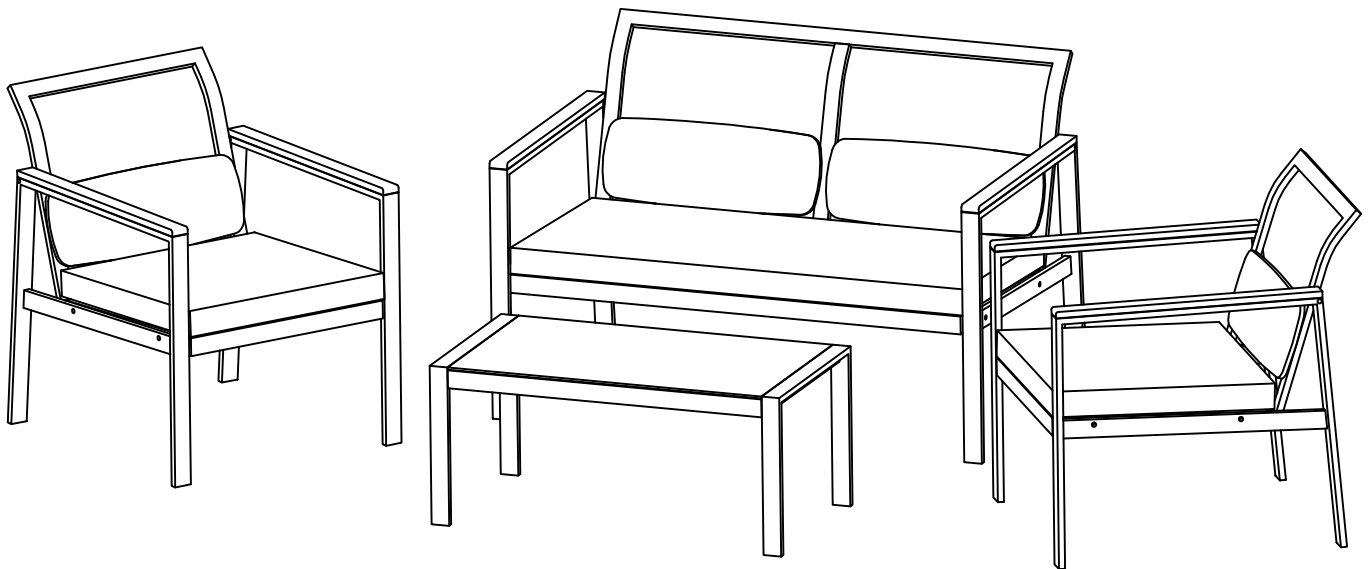


ASSEMBLY INSTRUCTION


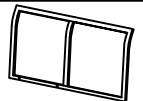






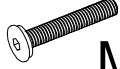


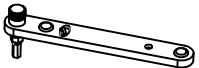
■ Patio Furniture Set

THANK YOU
FOR YOUR PURCHASE. YOUR SATISFACTION IS OUR RELENTLESS PURSUIT!

LOVESEAT

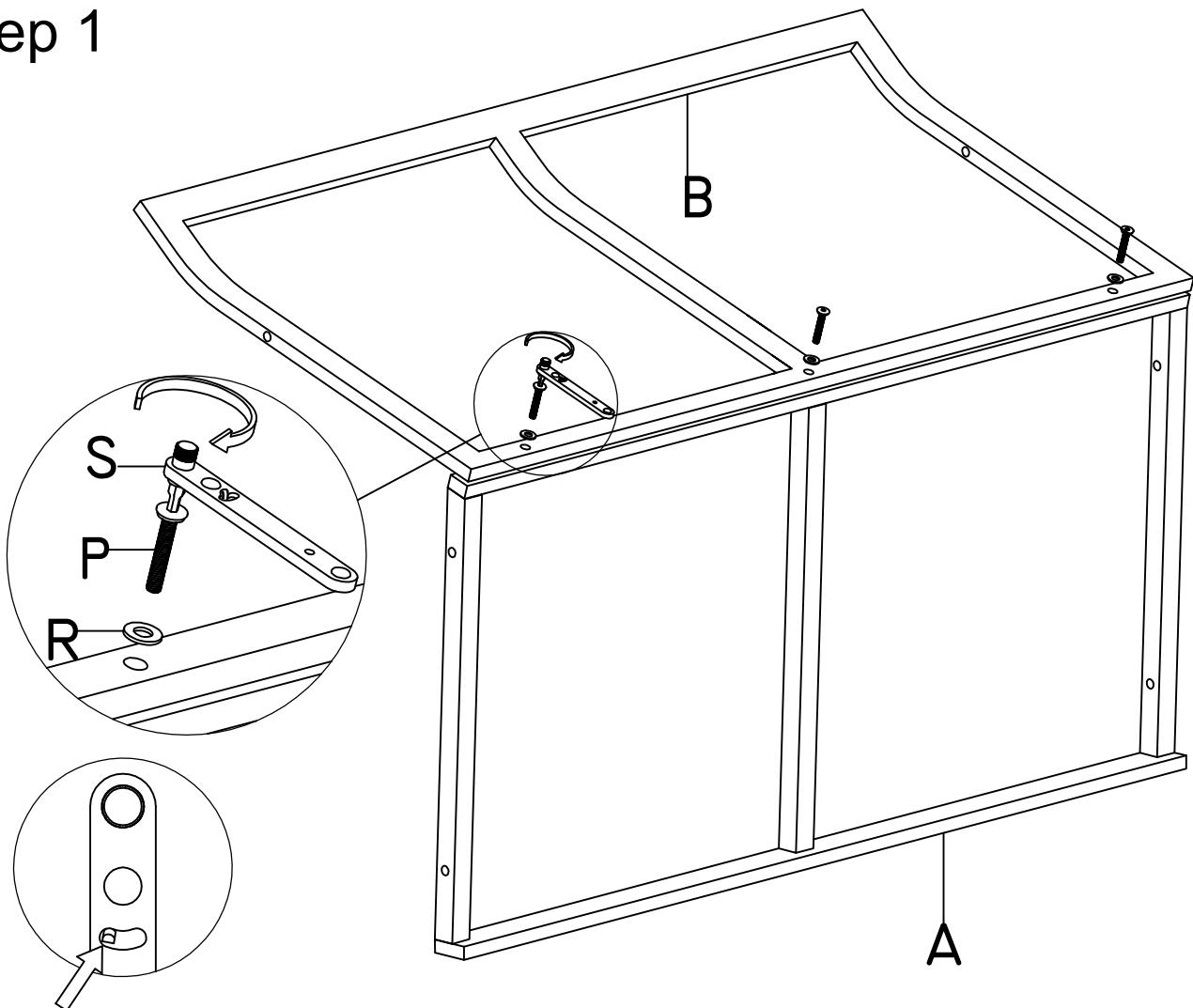
Check and ensure you get the components on the list, contact us for any missing.

PARTS LIST		
A		1PC
B		1PC
C		1PC
D		1PC
E		1PC
F		2PCS

HARDWARE LIST		
P	 M6*35	7PCS
Q	 M6*65	2PCS
R		9PCS
S		1PC

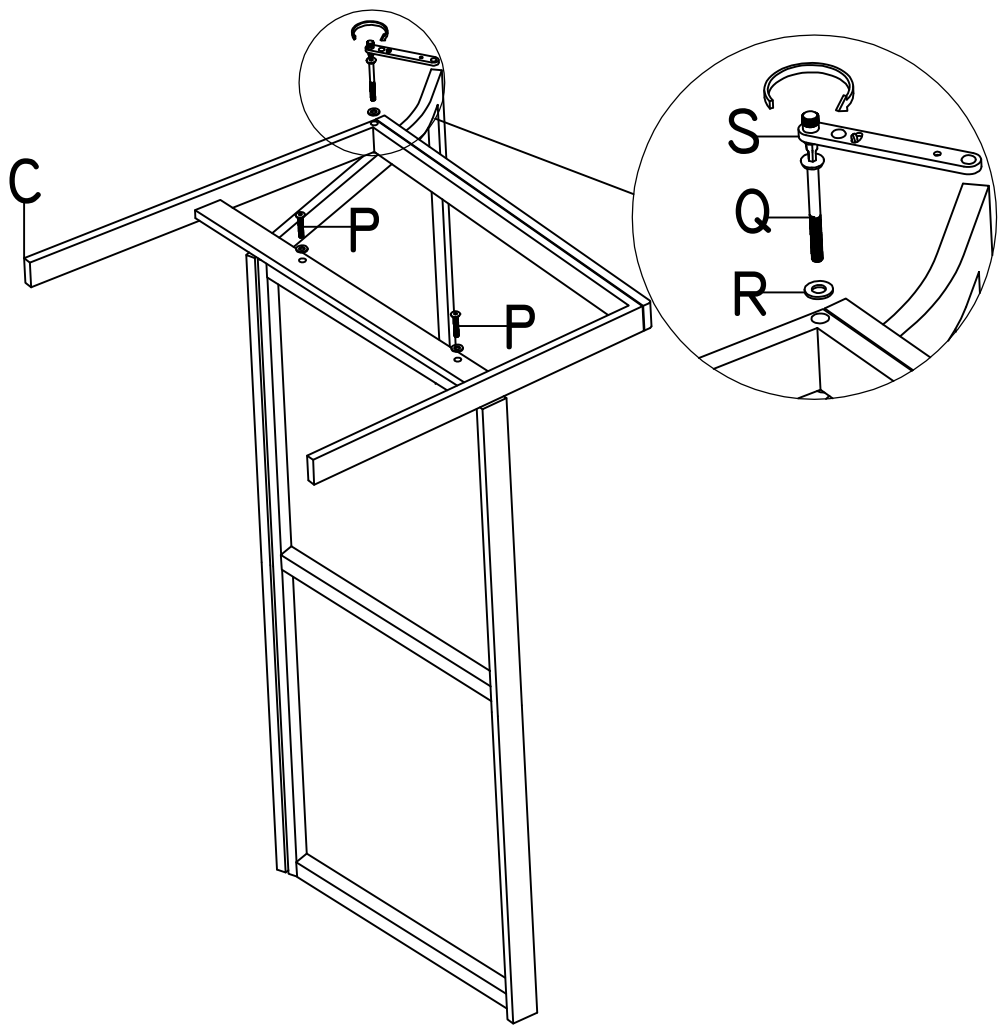
NOTE: Do not tighten bolts until all parts are connected.
Washers must be used.

Step 1

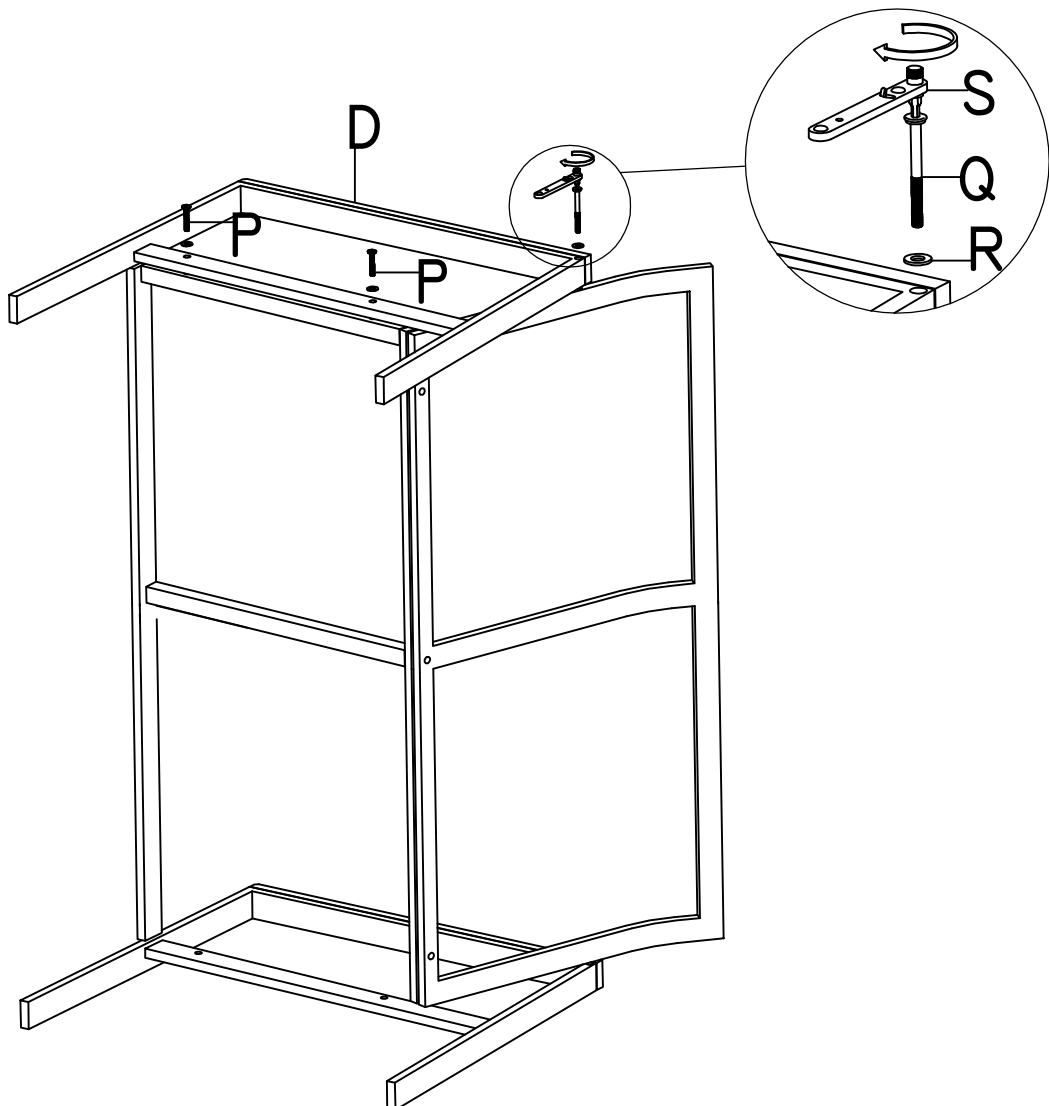


Turn to this position

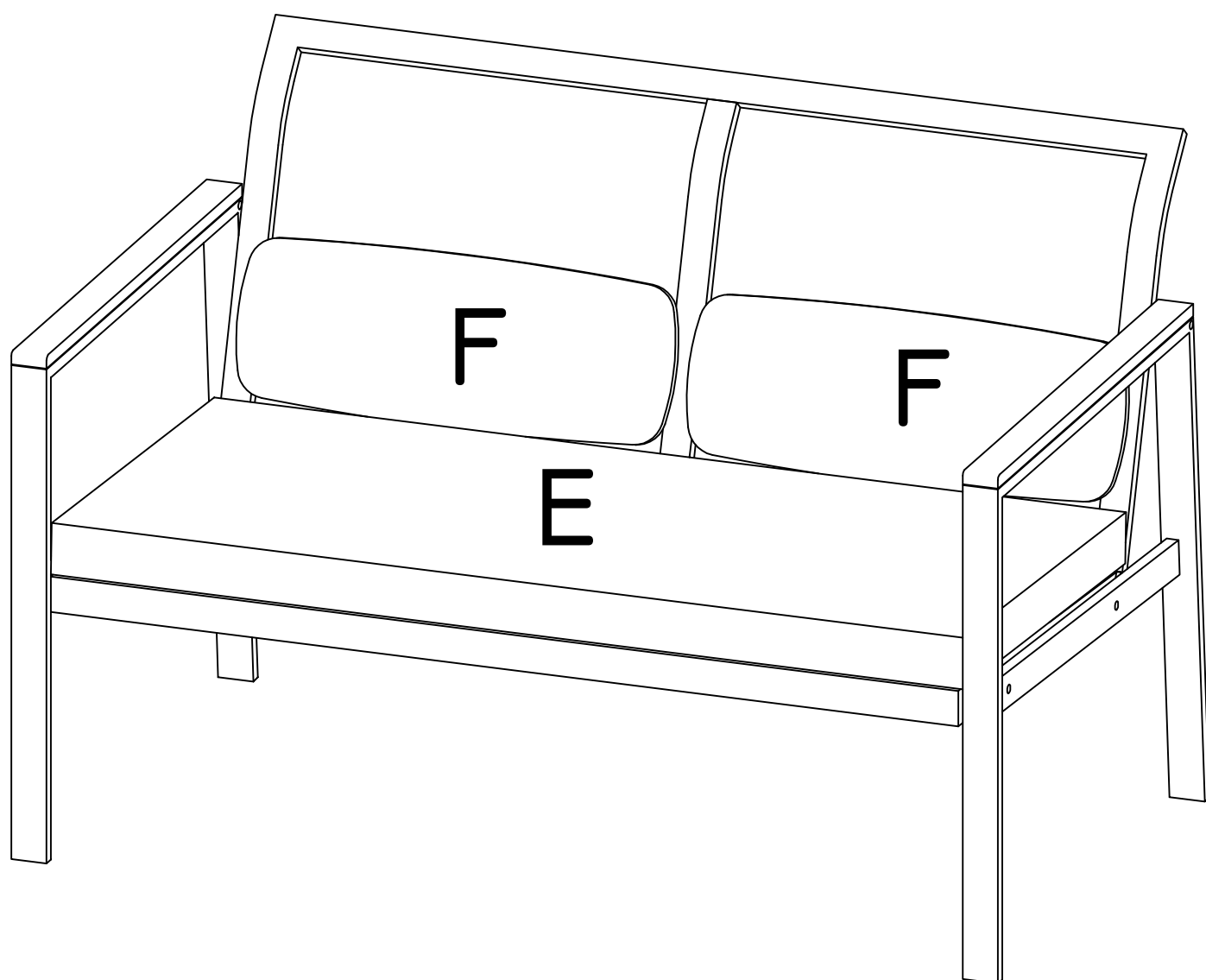
Step 2



Step 3


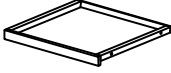


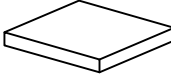
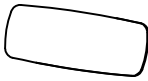


Completed Unit



SINGLE CHAIR

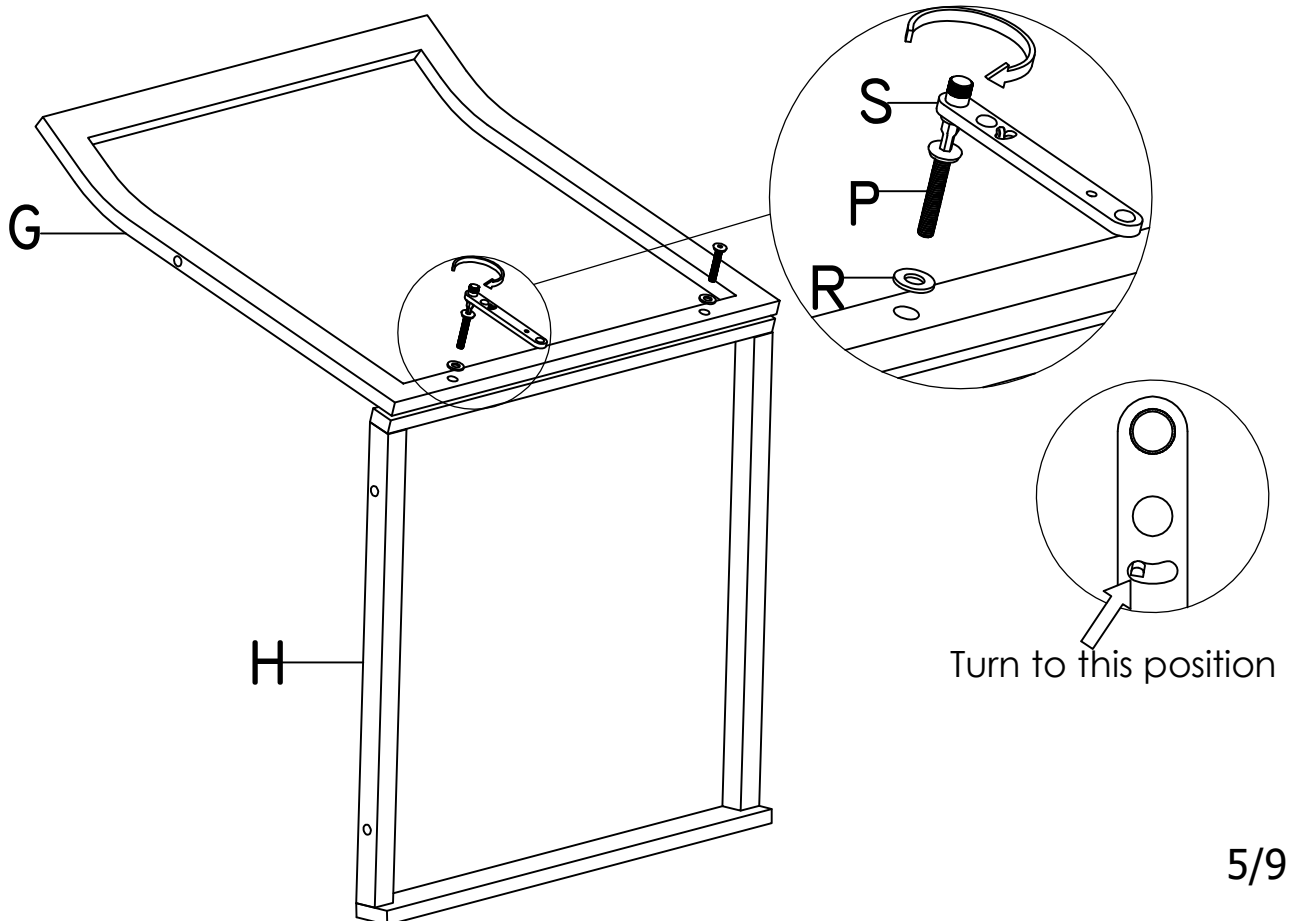
Check and ensure you get the components on the list, contact us for any missing.

PARTS LIST		
G		2PCS
H		2PCS
C		2PCS
D		2PCS
K		2PCS
F		2PCS

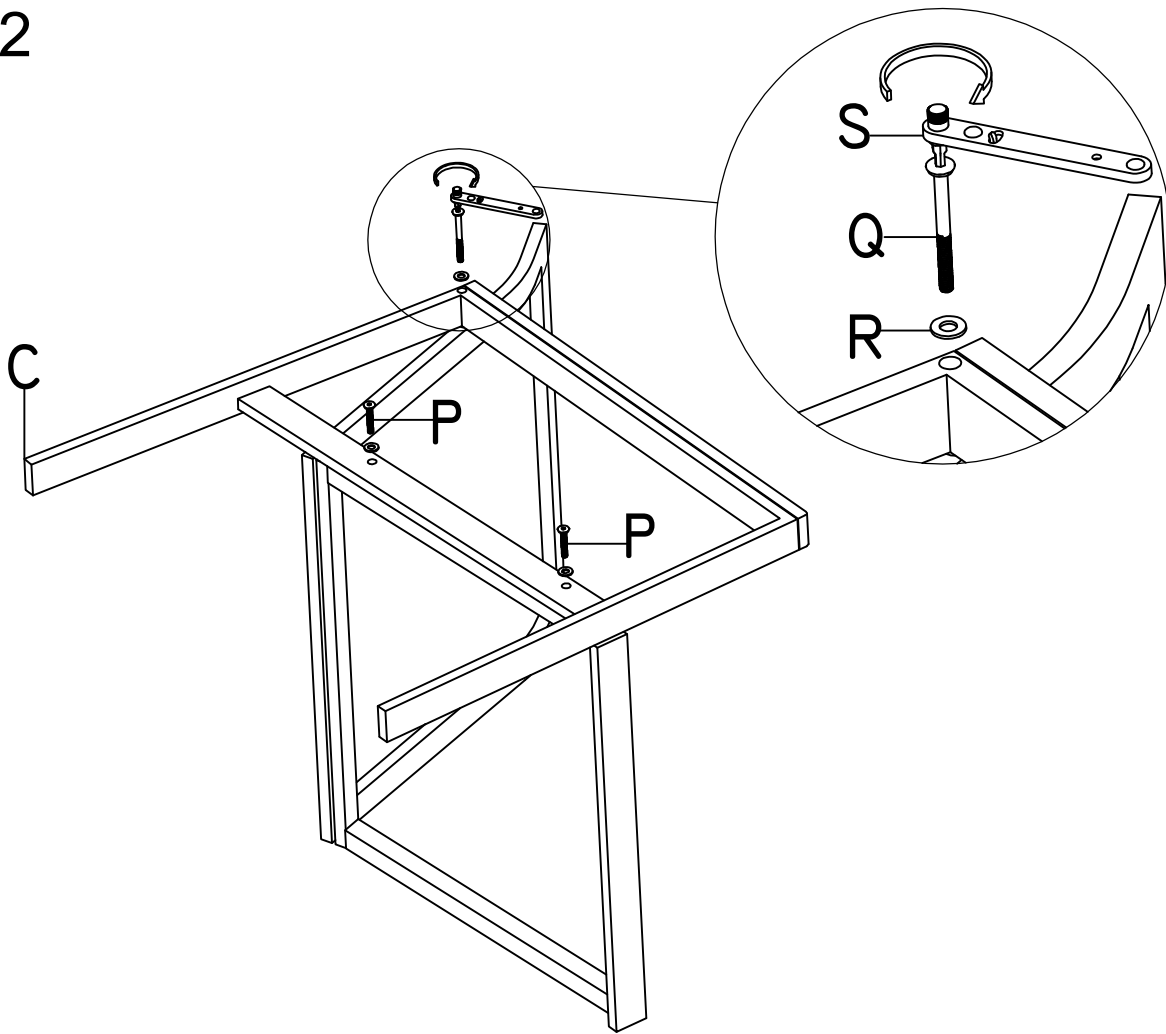
HARDWARE LIST		
P	 M6*35	12PCS
Q	 M6*65	4PCS
R		16PCS
S		1PC

NOTE: Do not tighten bolts until all parts are connected.
Washers must be used.

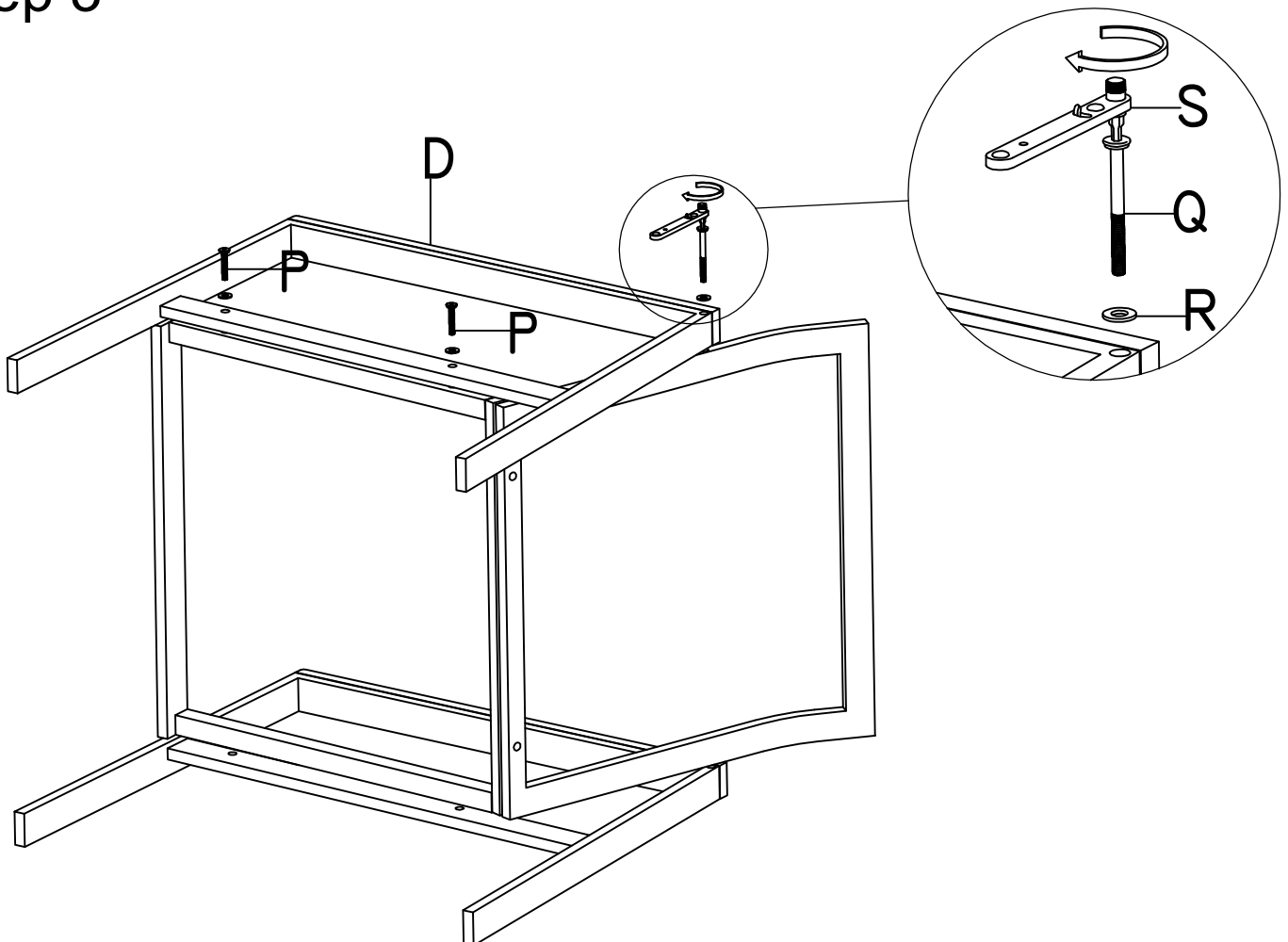
Step 1



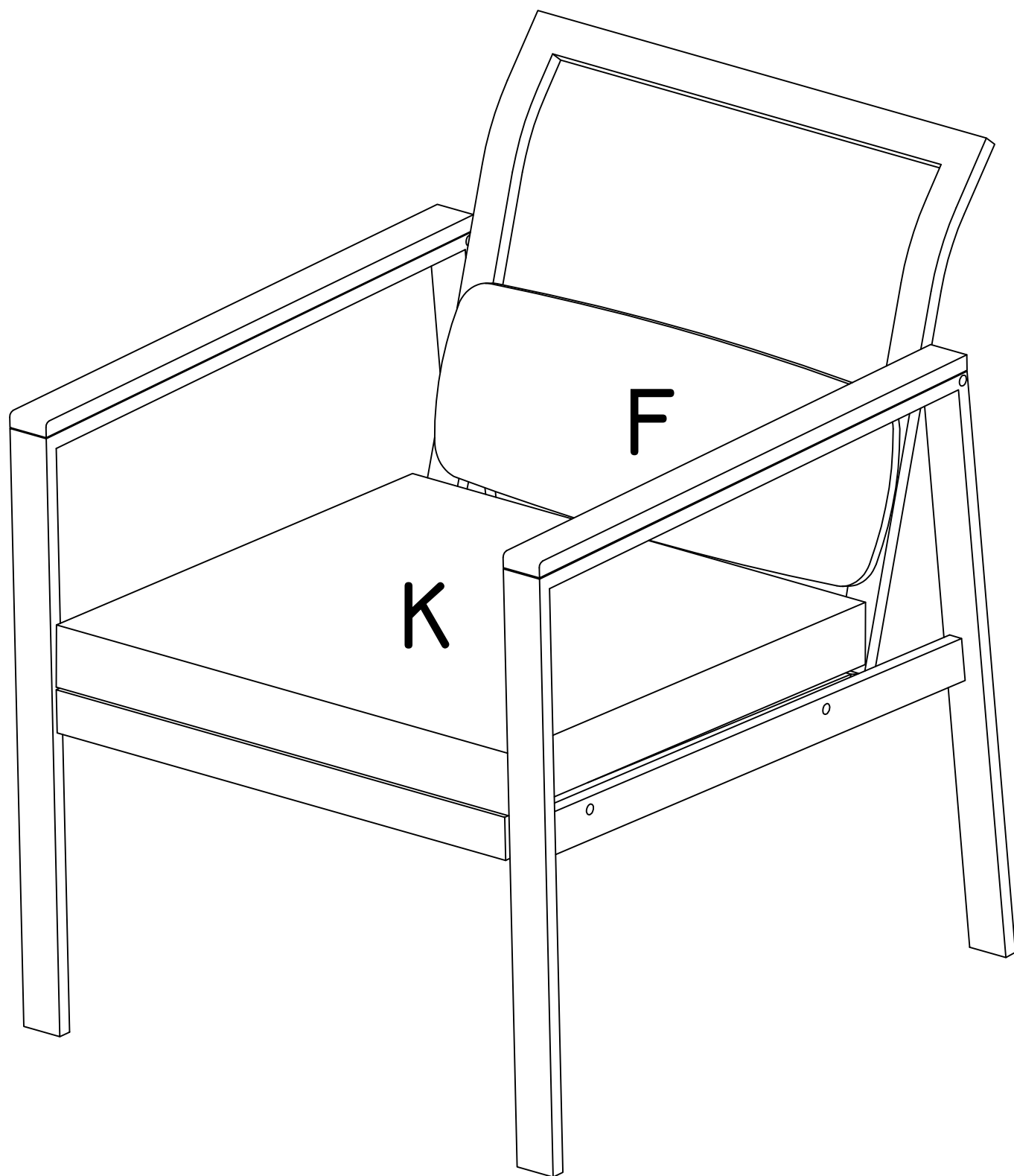
Step 2



Step 3

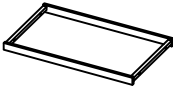

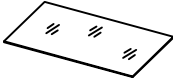


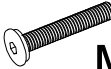

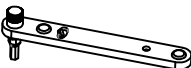
Completed Unit



COFFEE TABLE

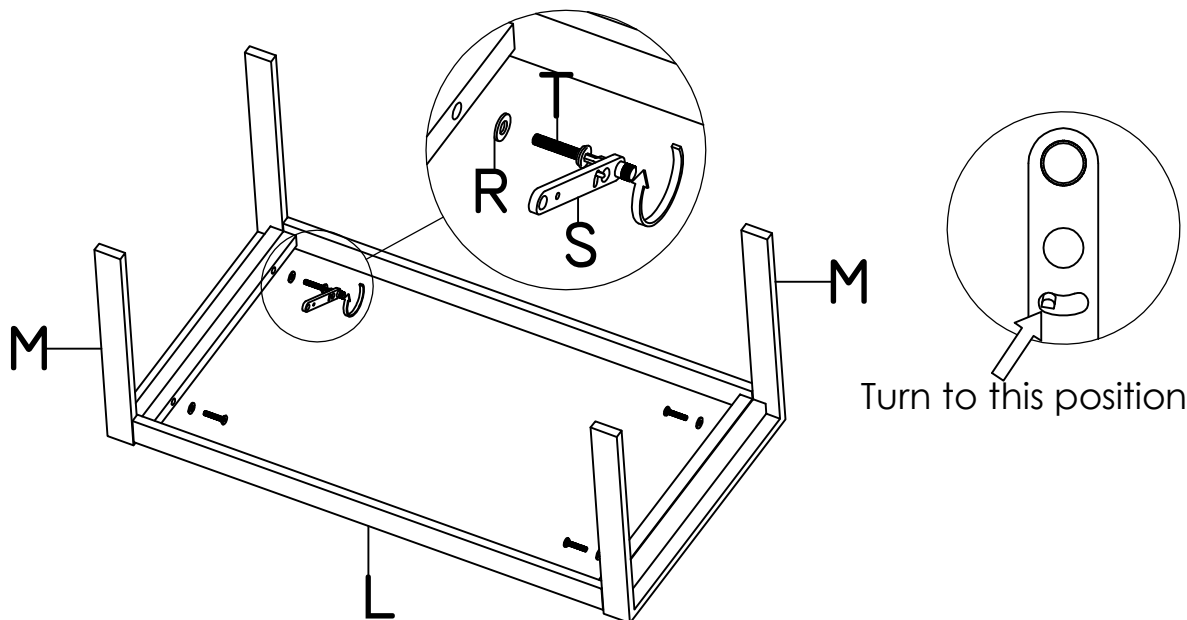
Check and ensure you get the components on the list, contact us for any missing.

PARTS LIST		
L		1PC
M		2PCS
N		1PC

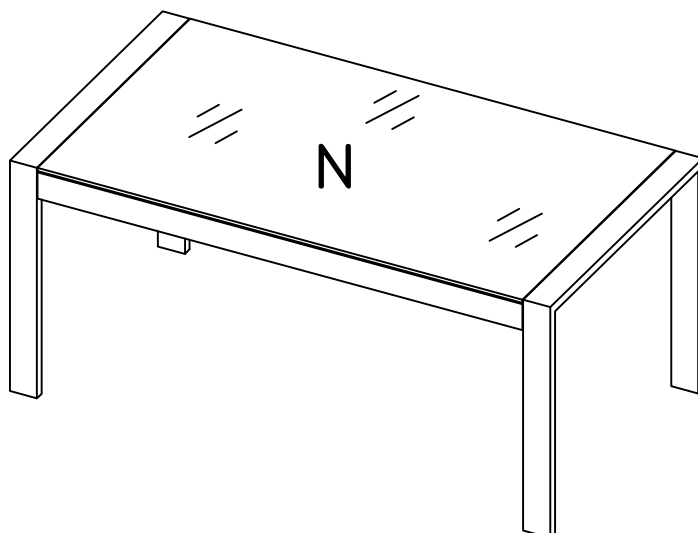
HARDWARE LIST		
T	 M6*30	4PCS
R		4PCS
S		1PC

NOTE: Do not tighten bolts until all parts are connected.
Washers must be used.

Step 1



Completed Unit



■ Please provide **ITEM#** on the first page of the assembly instruction.

NOTICE

- Please do not exceed the weight limitations of this item.
- Do not stand on or use any part of this item as a step ladder.
- Firmly secure all bolts, screws and knobs before use.
- Reconfirm that all bolts, screw, and knobs are secure every 90 days.
- Do not use or store this item in the proximity of open or flame or flammable/combustible chemicals.
- Cover furniture for long-lasting use when left outside during inclement weather or when not in use for long time.
- Never wrap cushions in plastic for storage to prevent mildew.
- Make sure the unit is completely dry before storage.

WARRANTY PROGRAM

- Return accept for up to 30 days from the date of original delivery.
 - Item returned must be in their original packaging or acceptable packing, along with all accessories in the original shipment.
 - 1-year warranty for the date of original delivery against manufacturer defects under normal use and conditions. Residential use only.
-