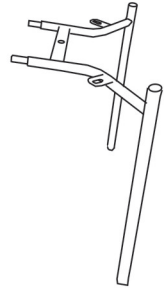


ASSEMBLING INSTRUCTION

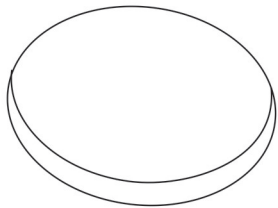
(1) x1



(4) x1



(2) x1



(5) x4



M6*16mm

(6) x5



M6*35mm

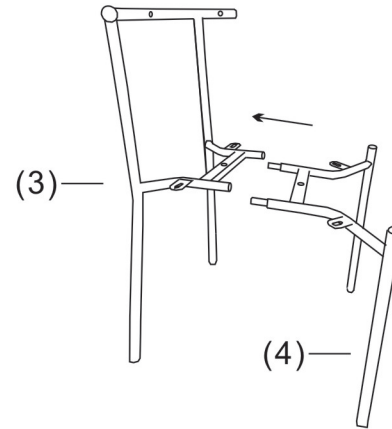
(3) x1



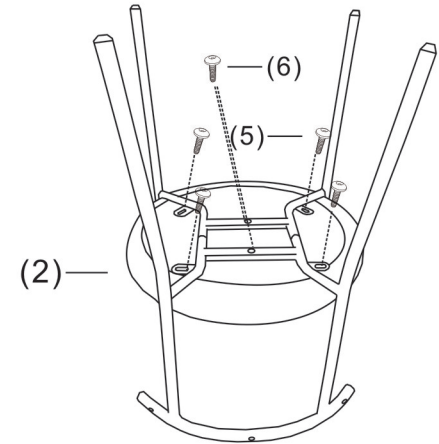
(7) x1



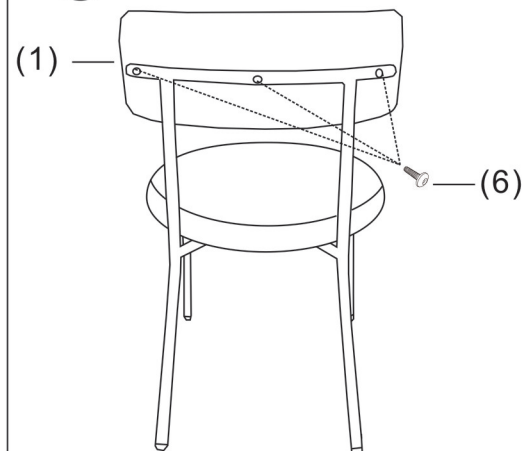
①



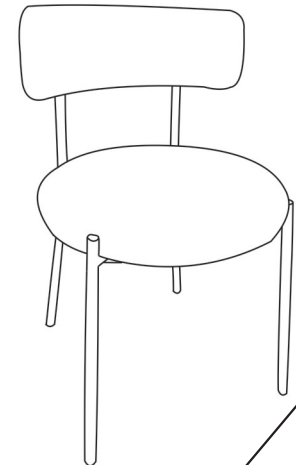
②



③



④



X1