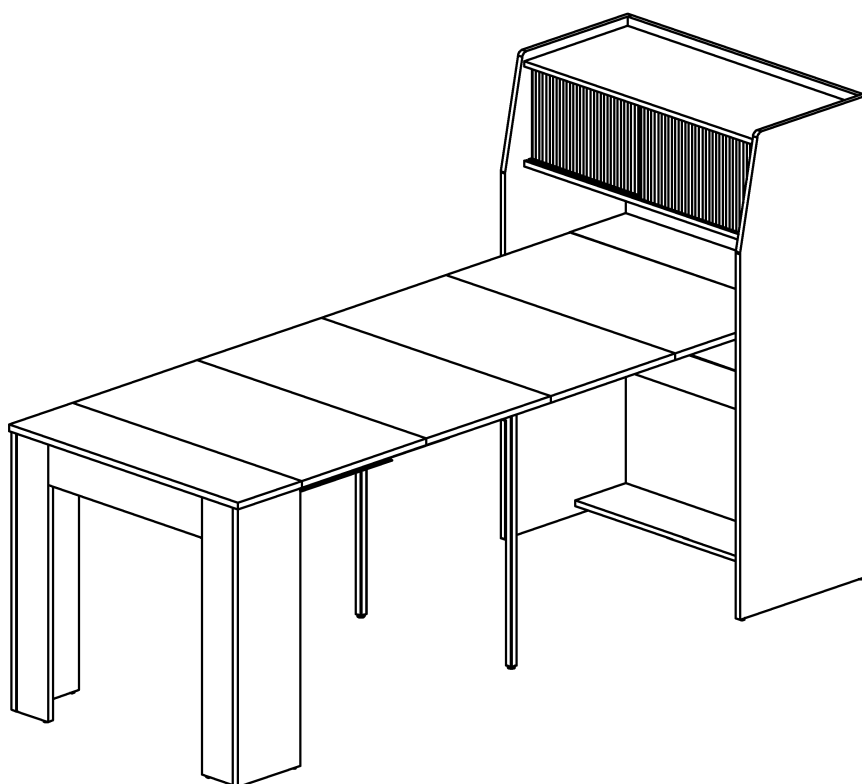
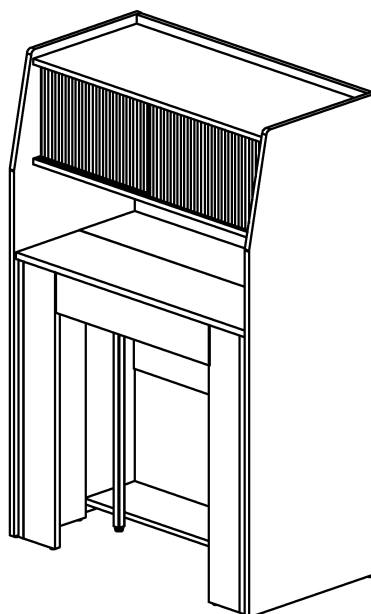
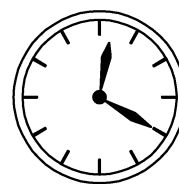
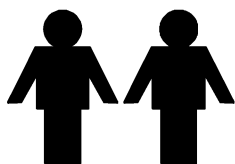
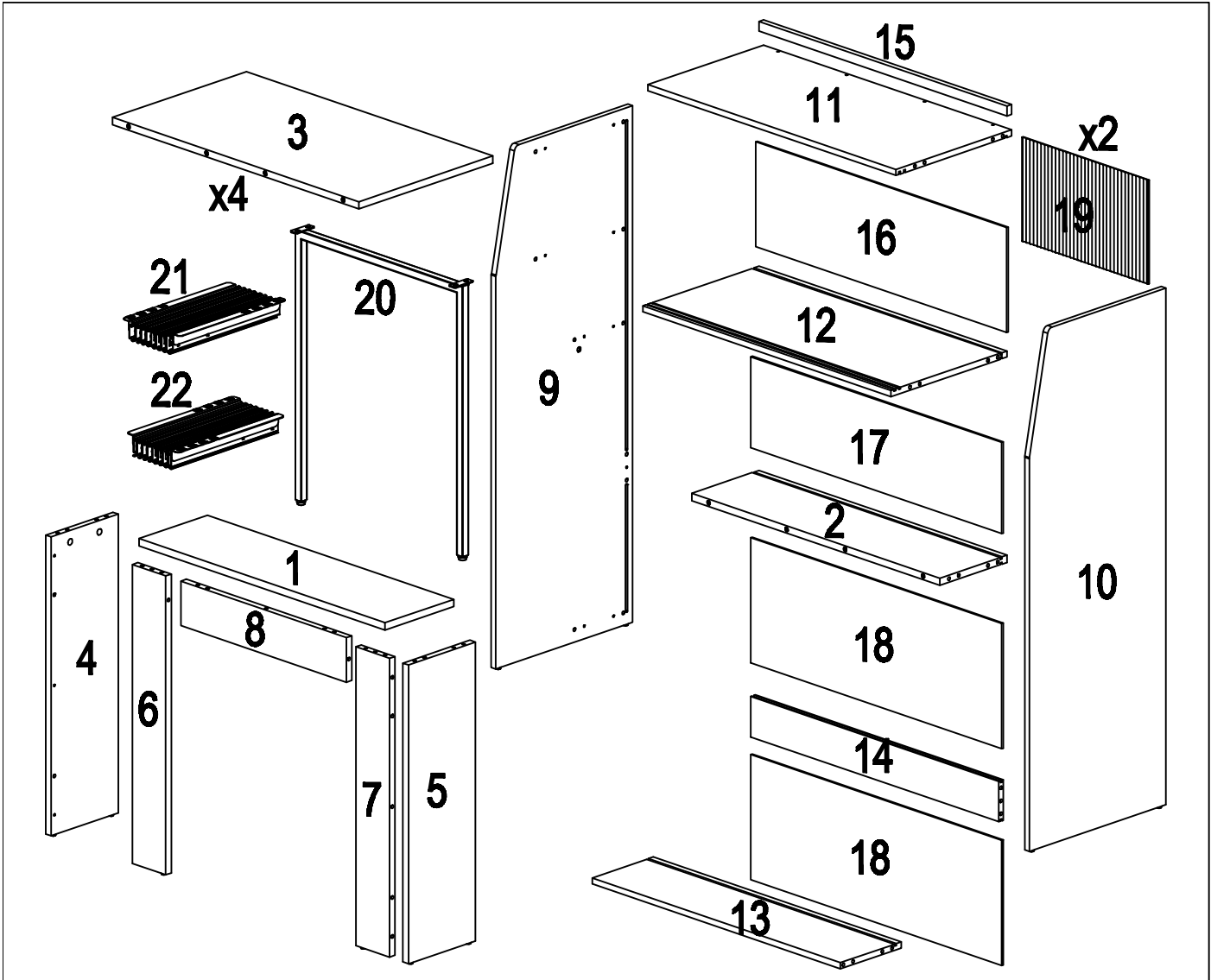


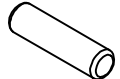
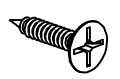

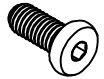
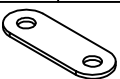

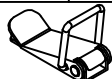


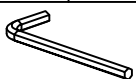

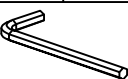


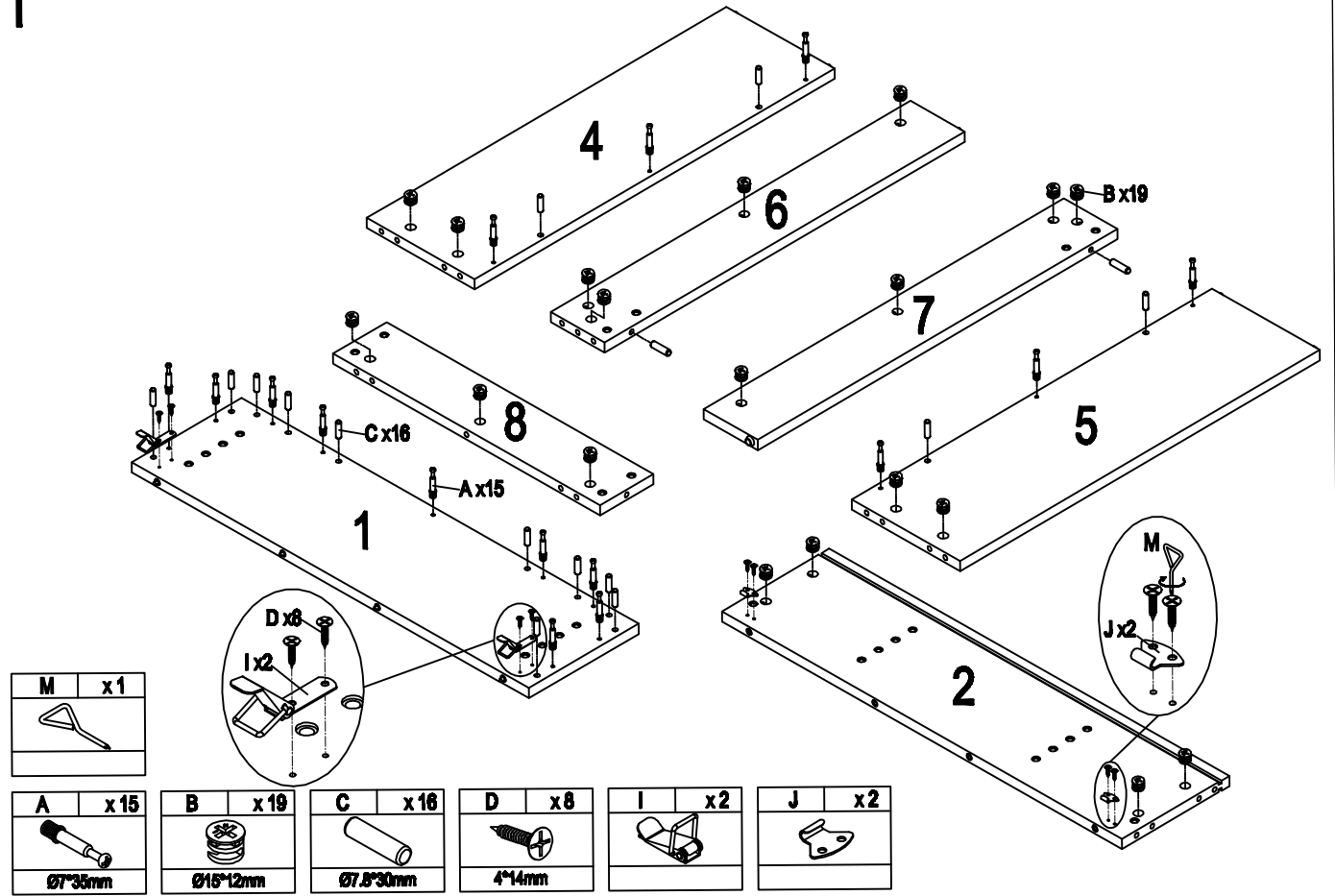
# ASSEMBLY INSTRUCTIONS



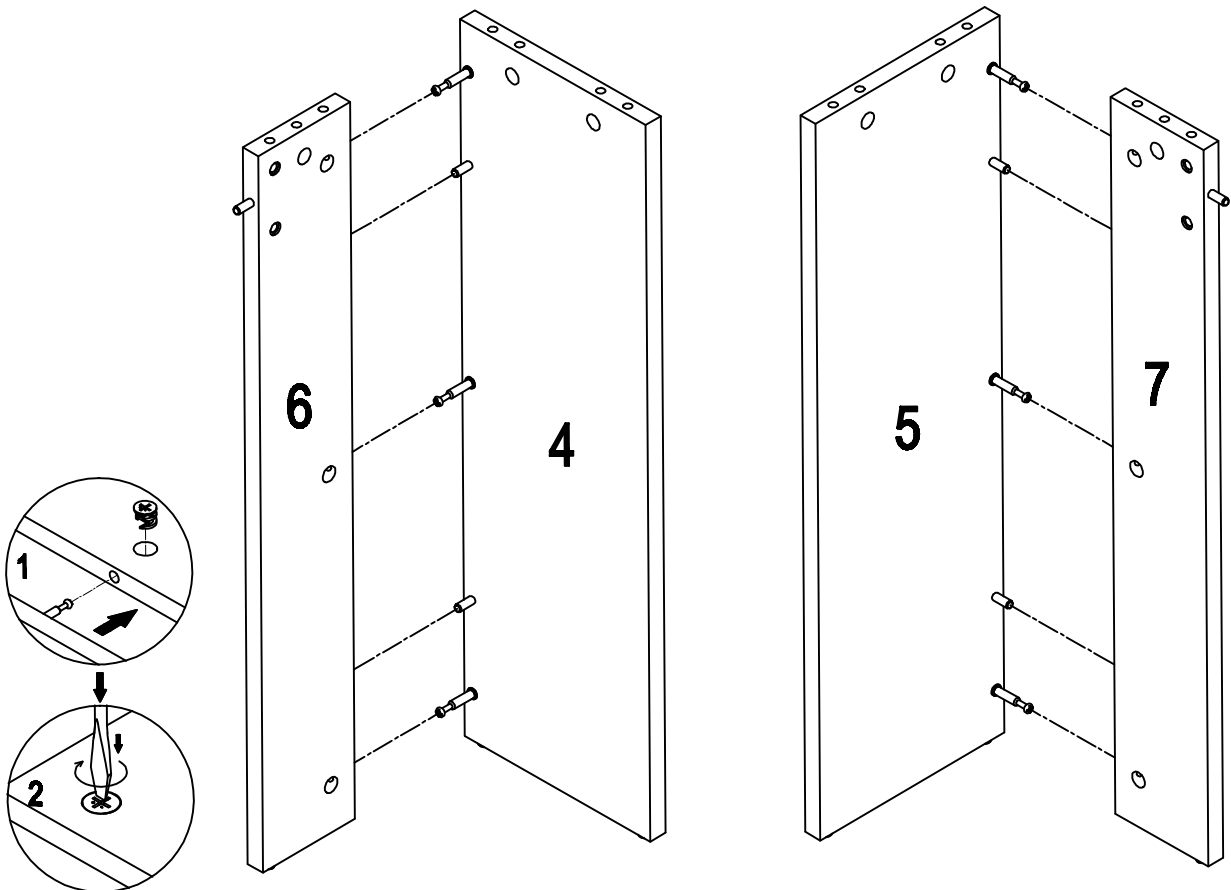


<b>+Spare X 2</b>	<b>+Spare X 2</b>	<b>+Spare X 2</b>	<b>+Spare X 2</b>	<b>+Spare X 2</b>	<b>+Spare X 1</b>
<b>A</b>   x 35	<b>B</b>   x 35	<b>C</b>   x 38	<b>D</b>   x 42	<b>E</b>   x 30	<b>F</b>   x 5
					
<b>Ø7*35mm</b>	<b>Ø15*12mm</b>	<b>Ø7.8*30mm</b>	<b>4*14mm</b>	<b>M6*12mm</b>	<b>M8*12mm</b>
<b>G</b>   x 4	<b>+Spare X 1</b>	<b>+Spare X 1</b>	<b>+Spare X 1</b>	<b>K</b>   x 2	<b>L</b>   x 1
					
<b>60*20*2mm</b>	<b>3.5*30mm</b>			<b>28*28*16*2mm</b>	<b>4mm</b>
<b>M</b>   x 1	<b>N</b>   x 1				
					
	<b>5mm</b>				

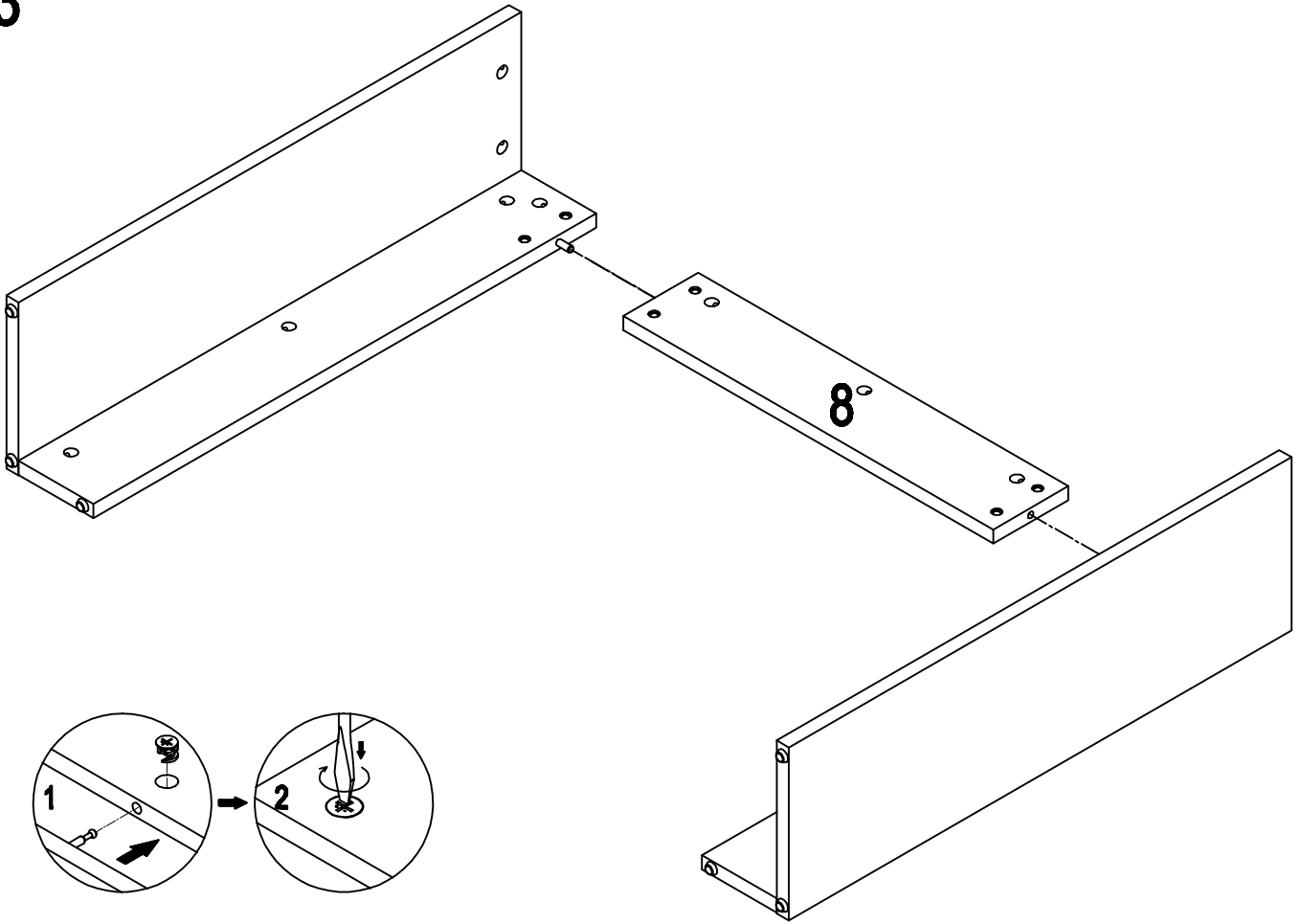
1



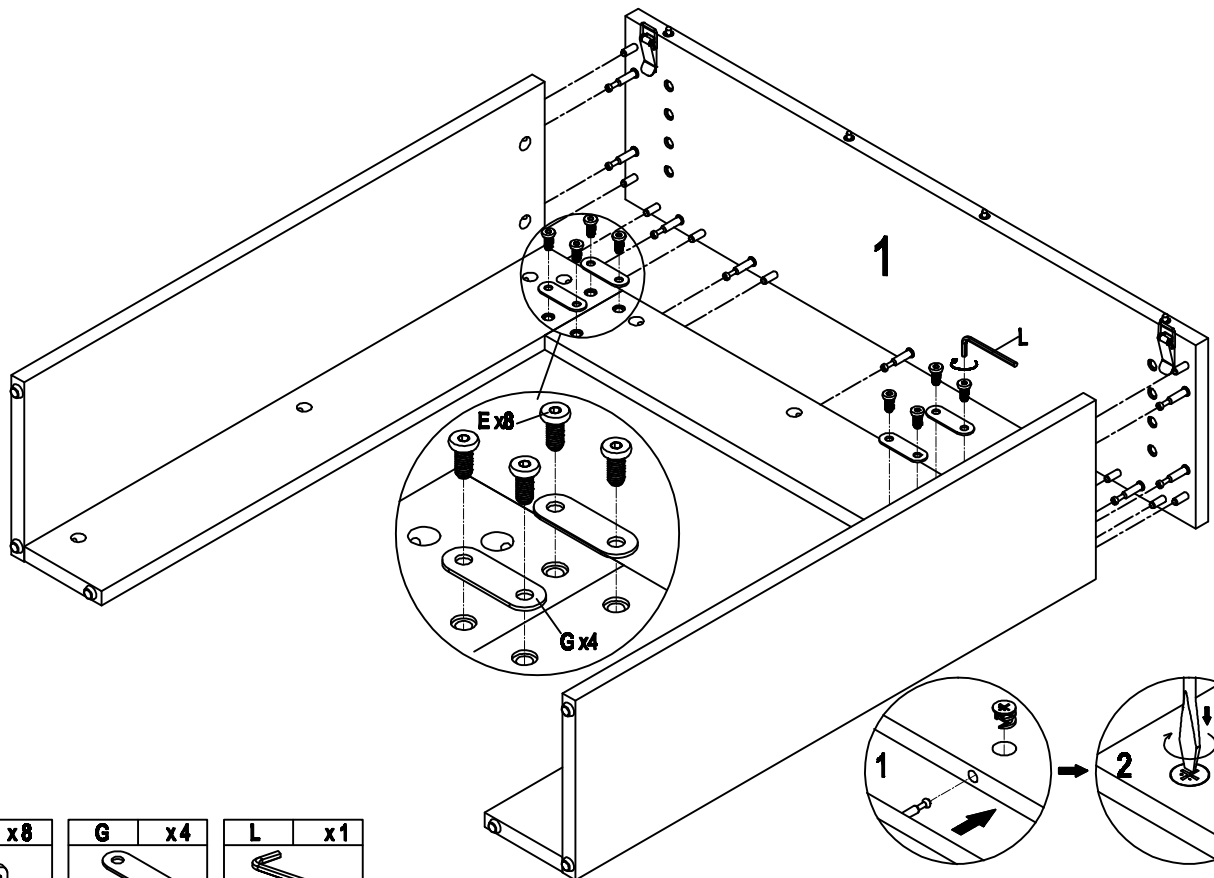
2



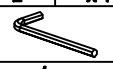


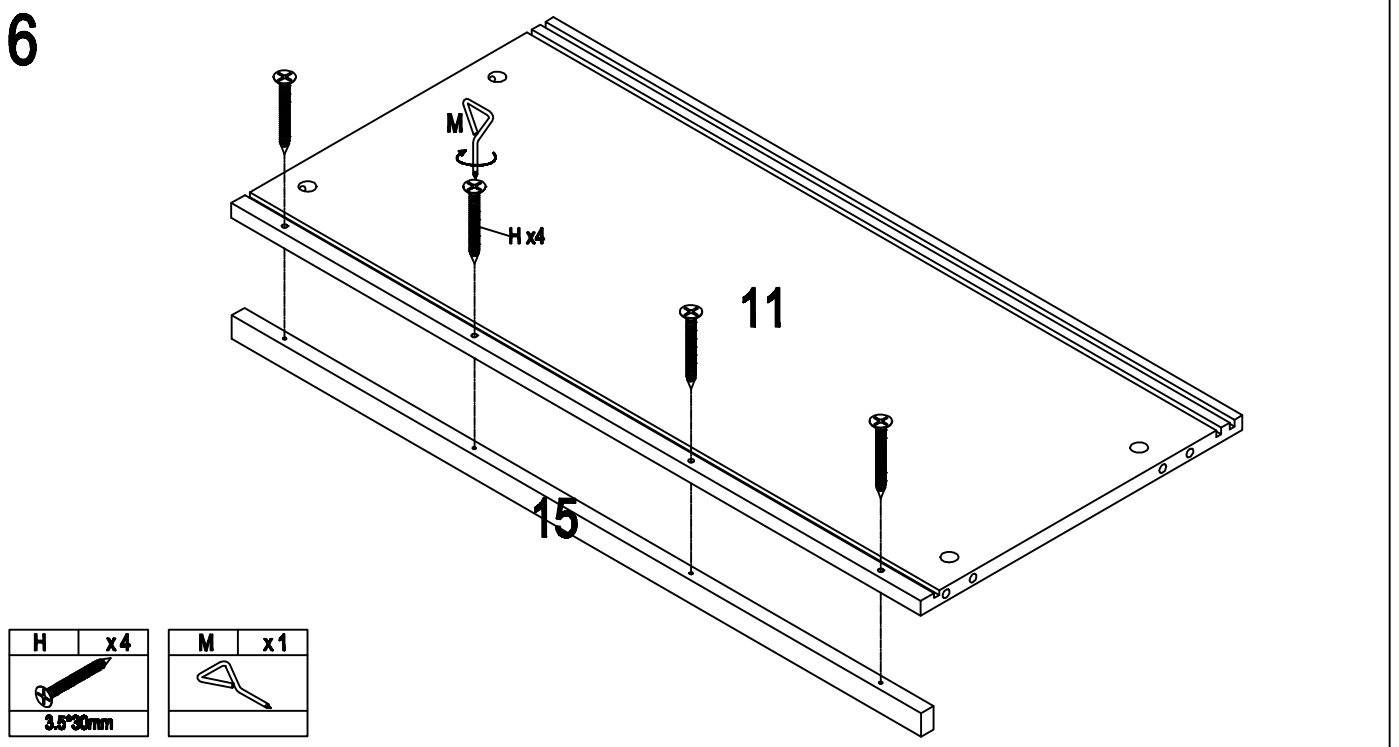
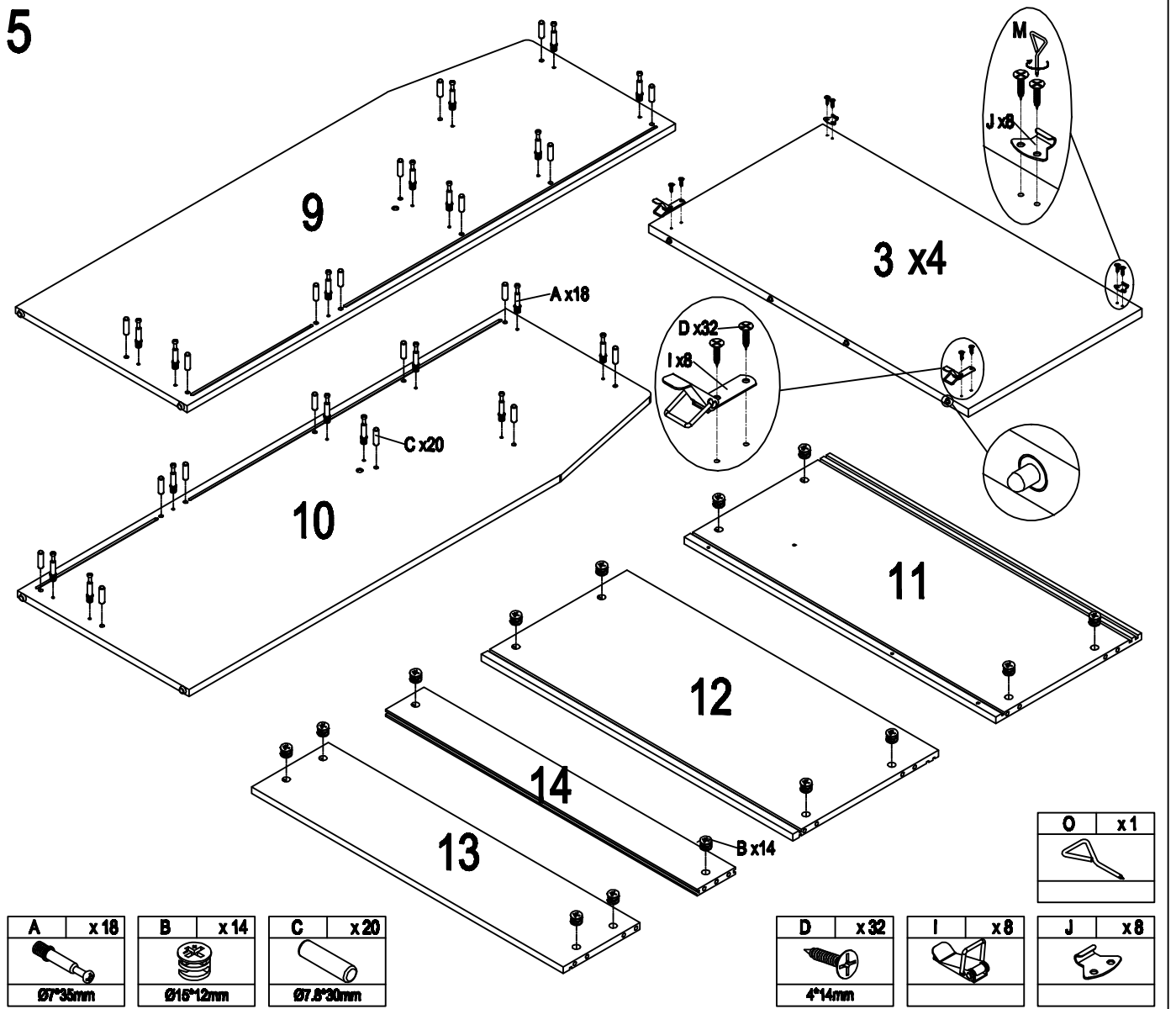
3



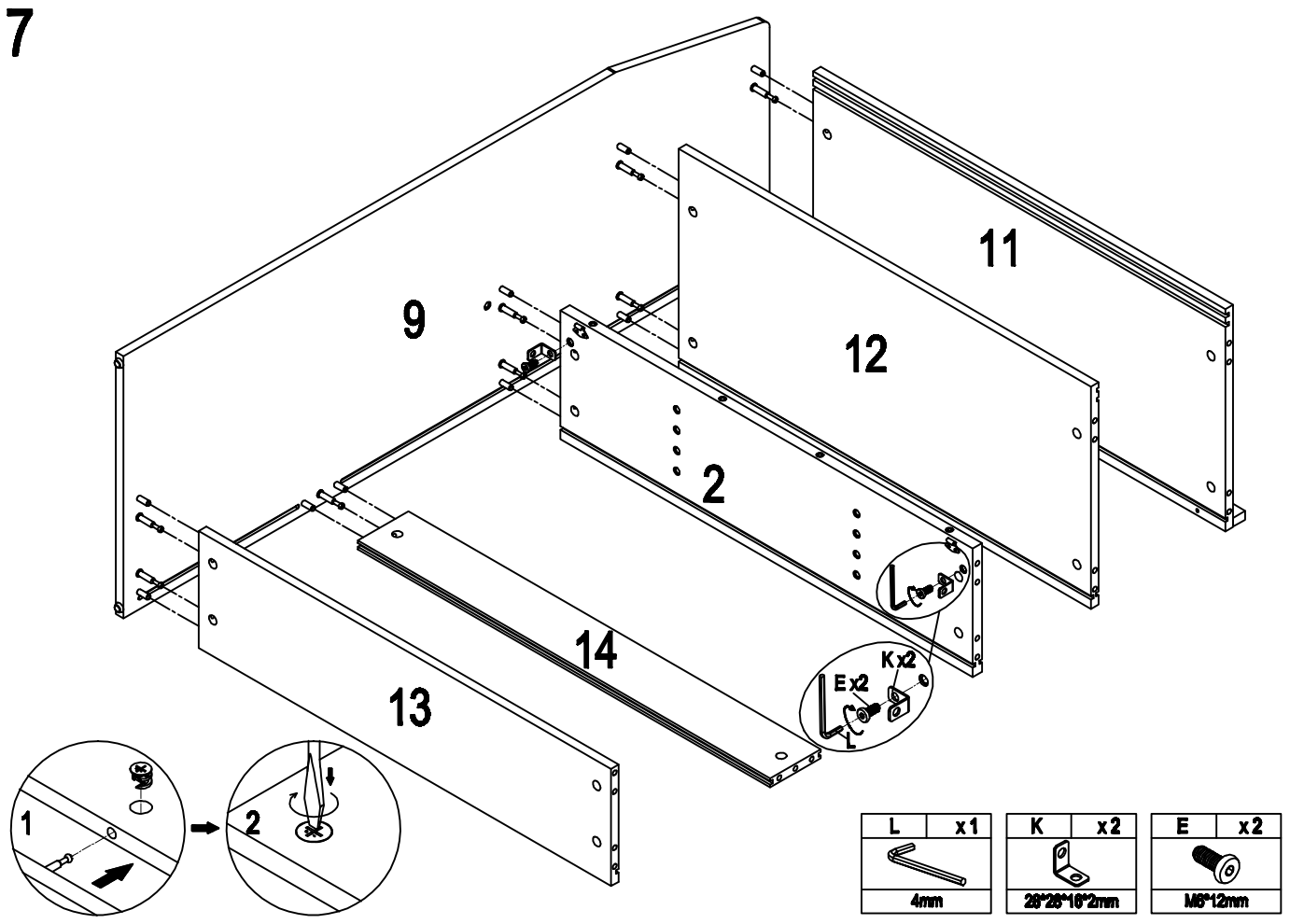
4



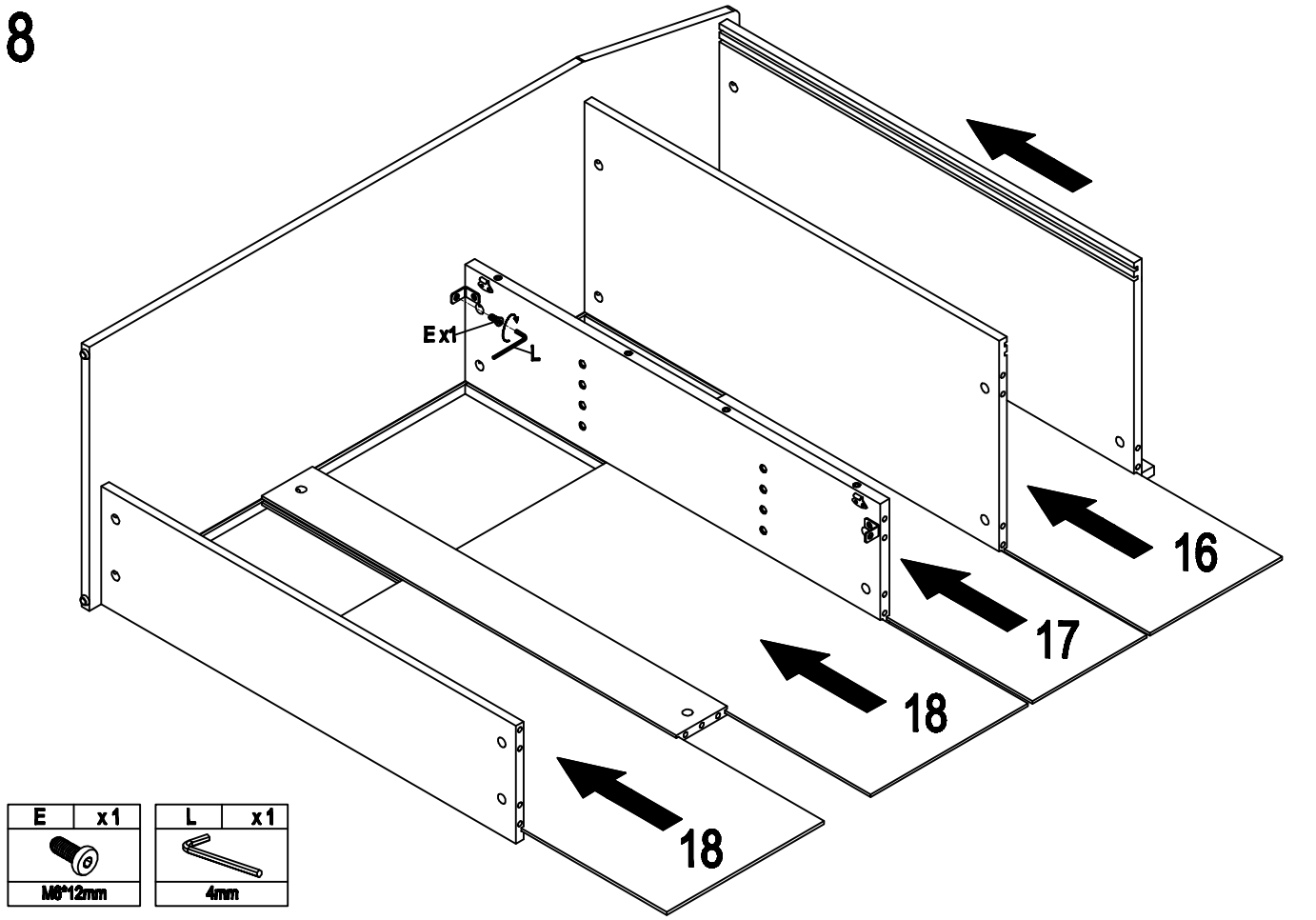
E	x8	G	x4	L	x1
					
M6*12mm		30*20*2mm		4mm	



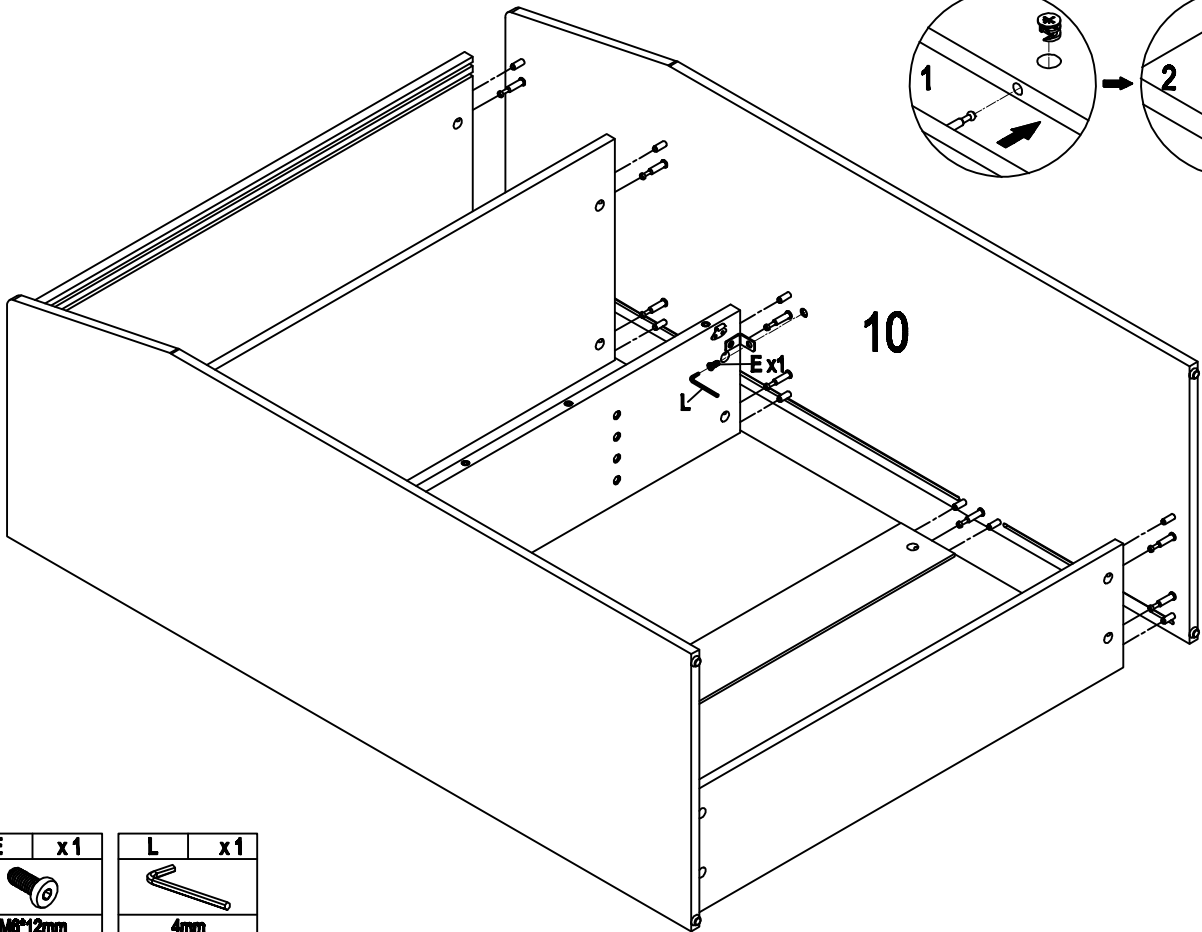
7





8

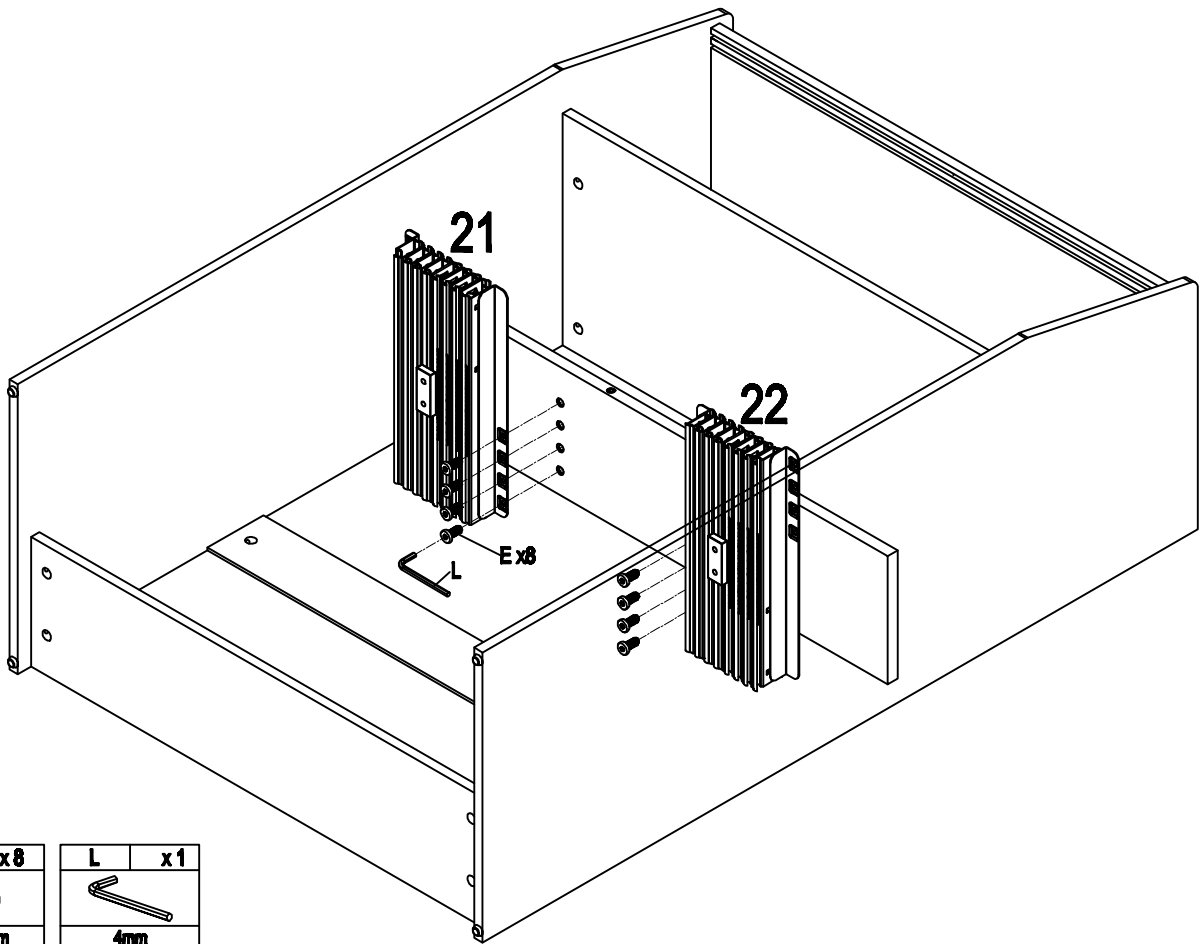



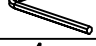
9



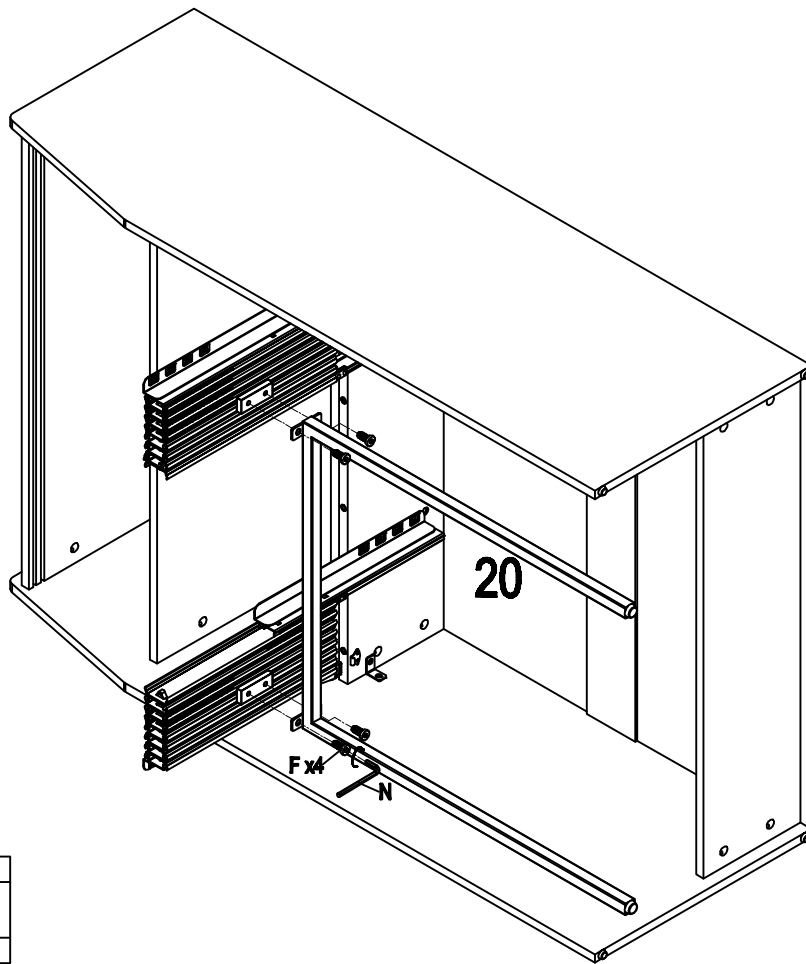
E	x1	L	x1
			
M6*12mm		4mm	


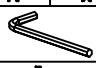
10



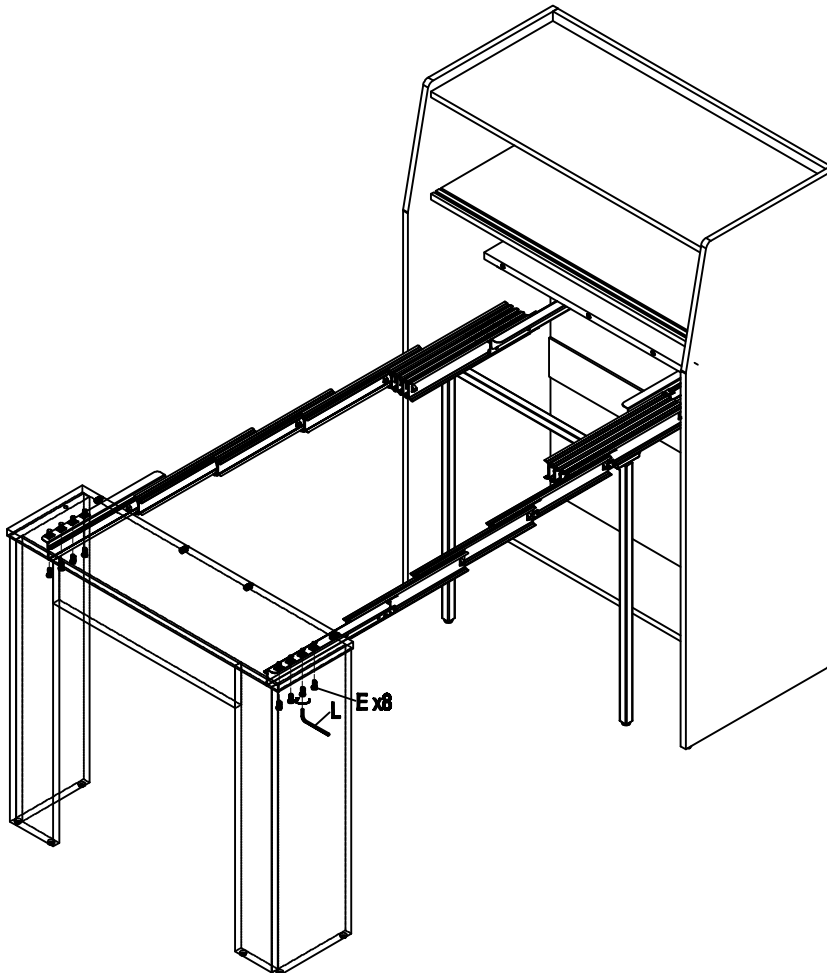
E	x8	L	x1
			
M6*12mm		4mm	

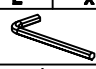

11



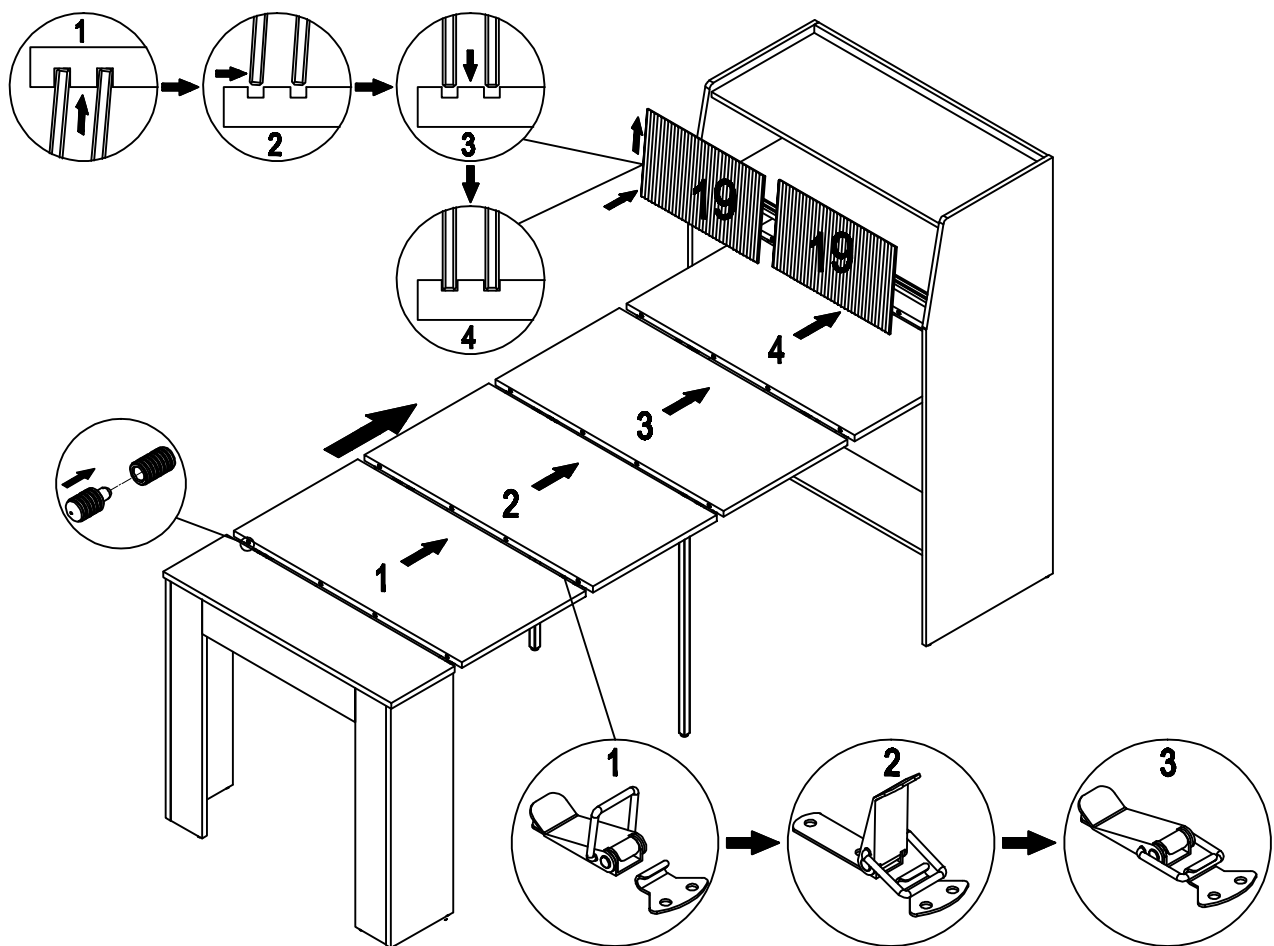
F	x4	N	x1
			
M6*12mm		5mm	

12



L	x1	E	x8
			
4mm		M6*12mm	

13



14

