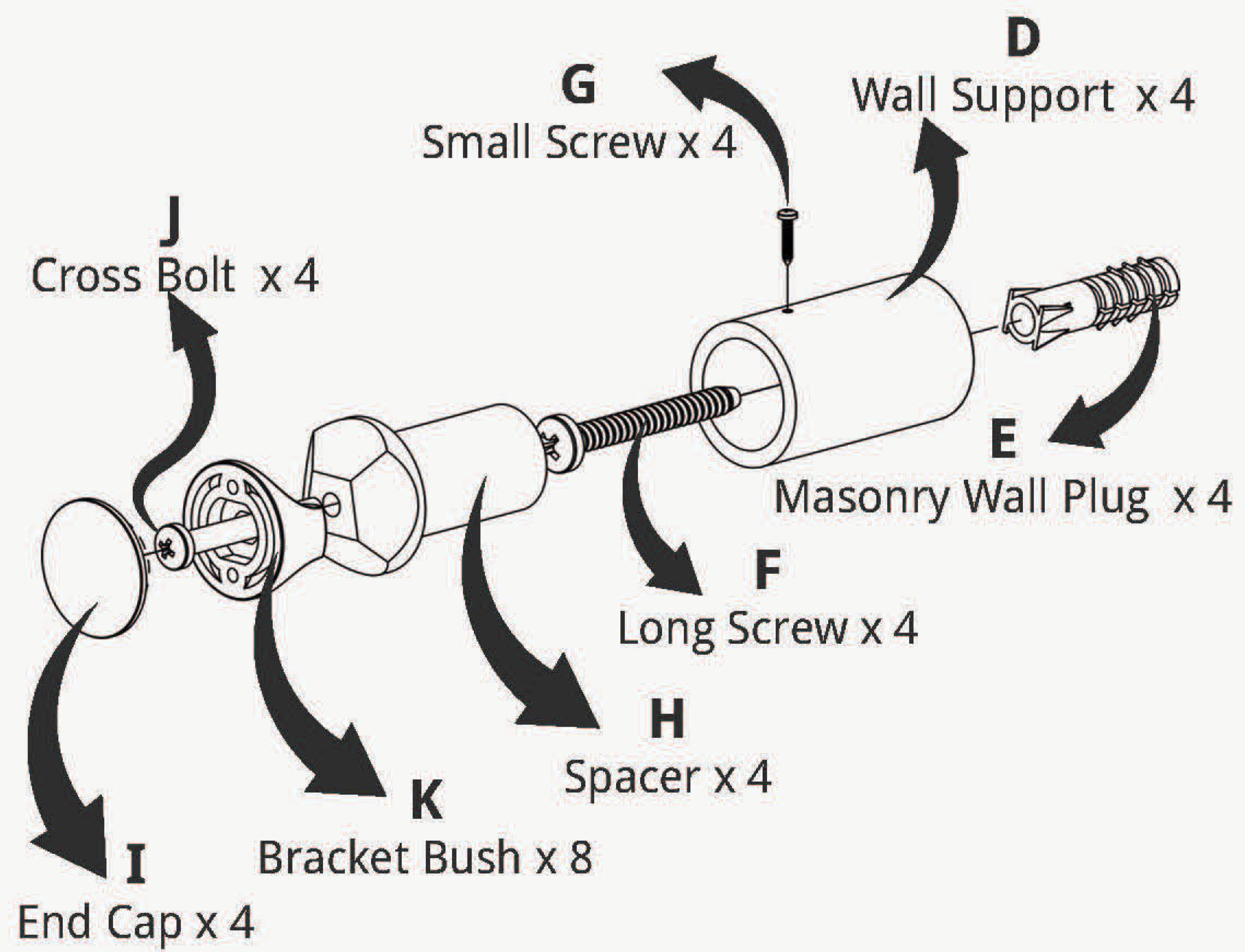
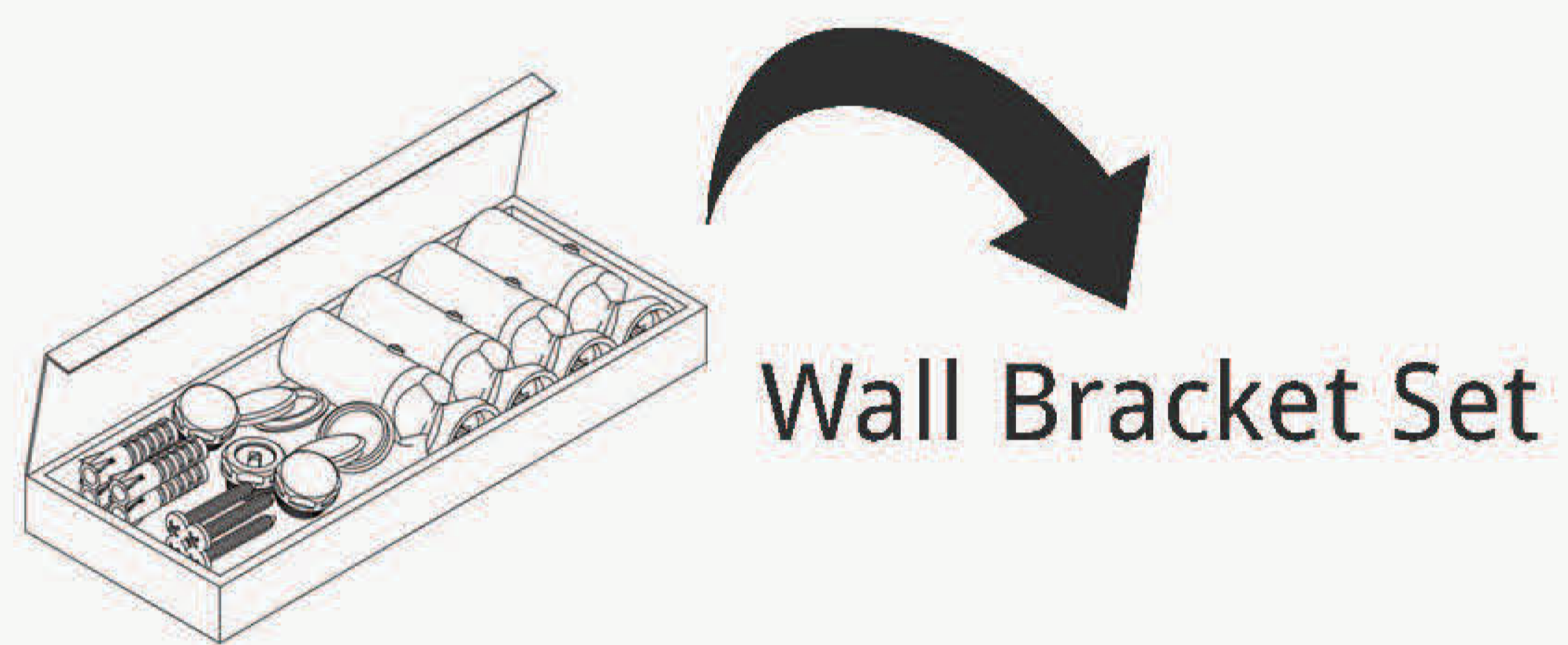
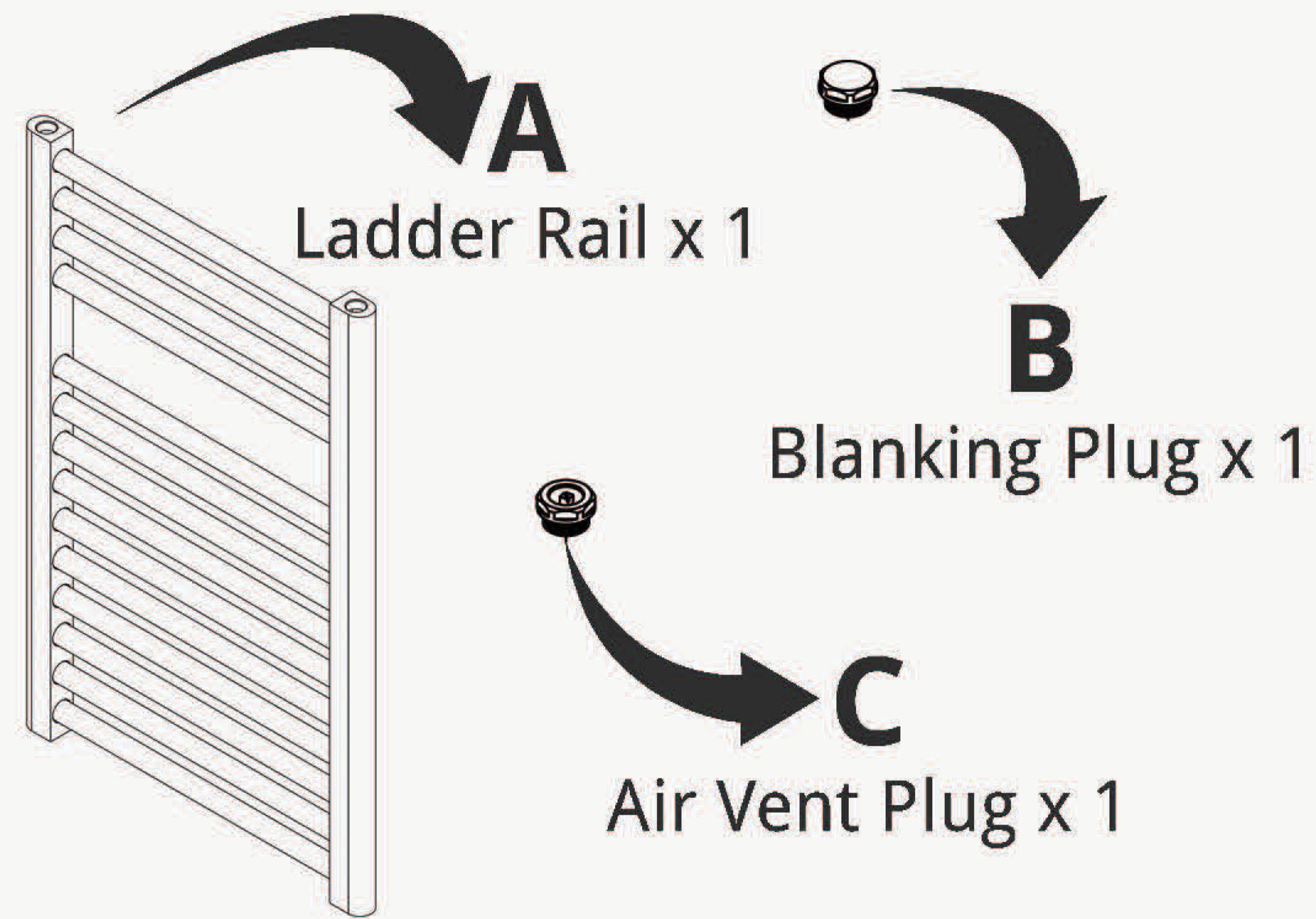
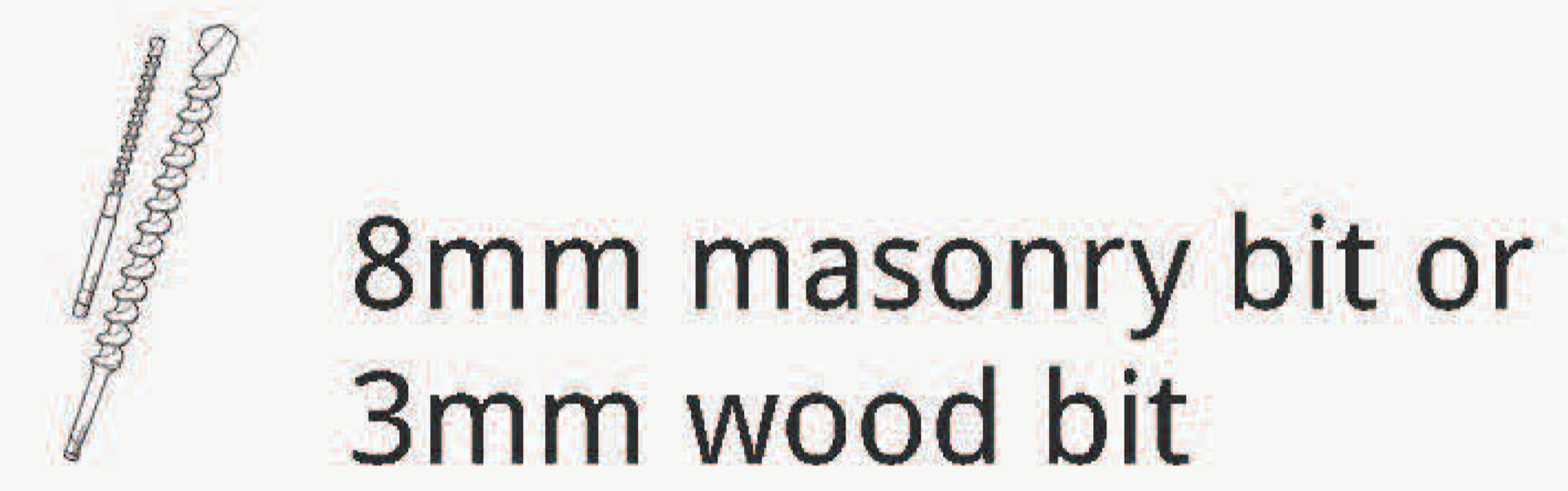
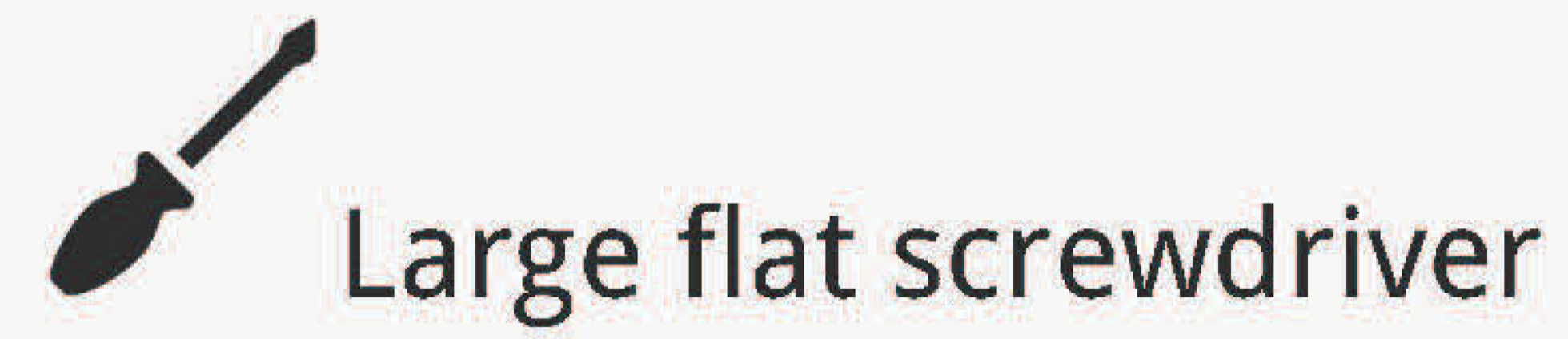


CONTENTS LIST



TOOLS REQUIRED {not supplied}



PTFE Tape and a clean
cloth

USER MANUAL

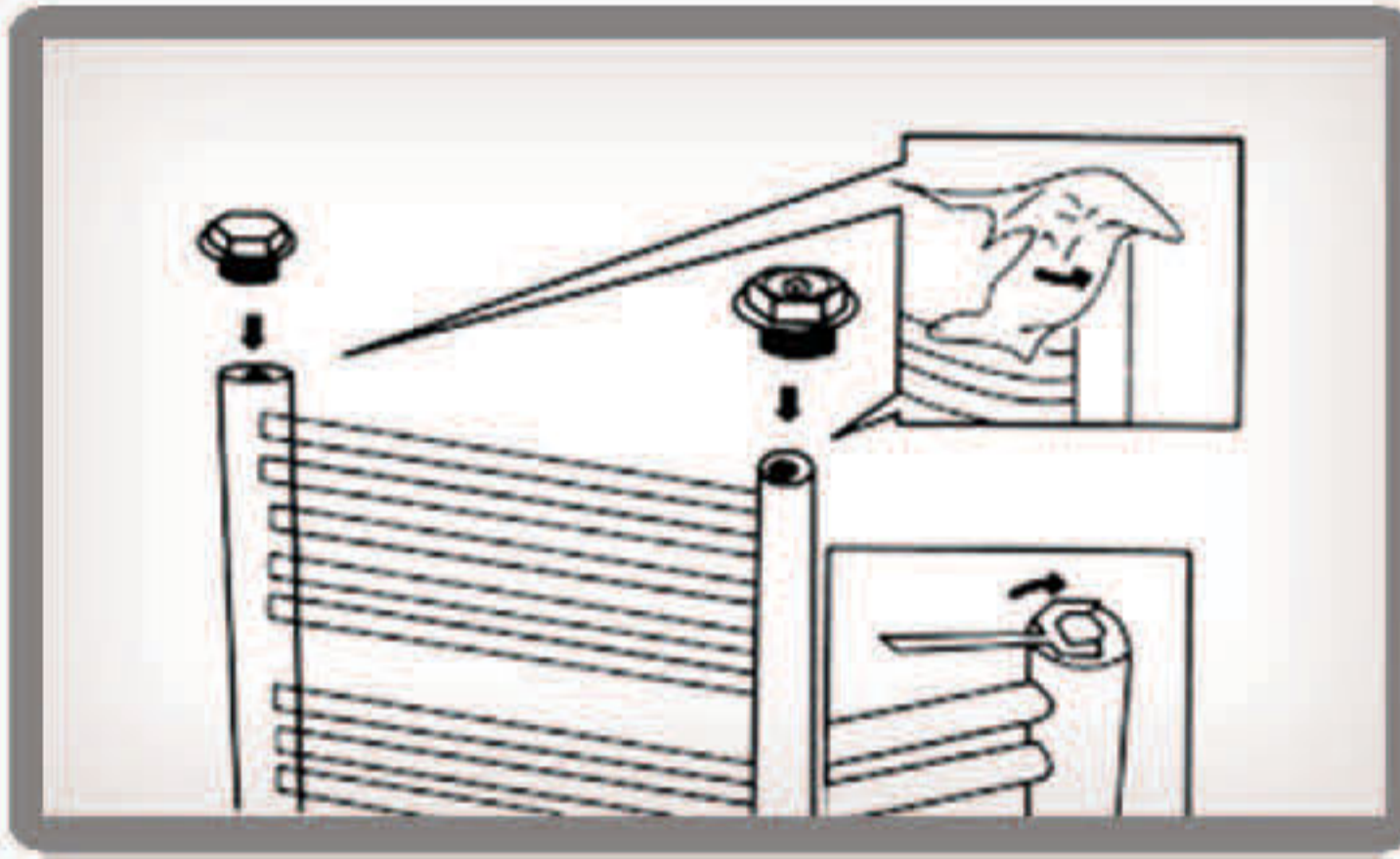
PRIOR TO INSTALLATION

- ✓ Check that all the parts are enclosed as per the contents list.
- ✓ If there are any missing or damaged parts please contact your supplier immediately.
- ✓ The four plastic caps on each corner of the ladder rail should be removed and disposed of.
- ✓ Ensure that the ladder rail is positioned so that it can be easily connected to the central heating.

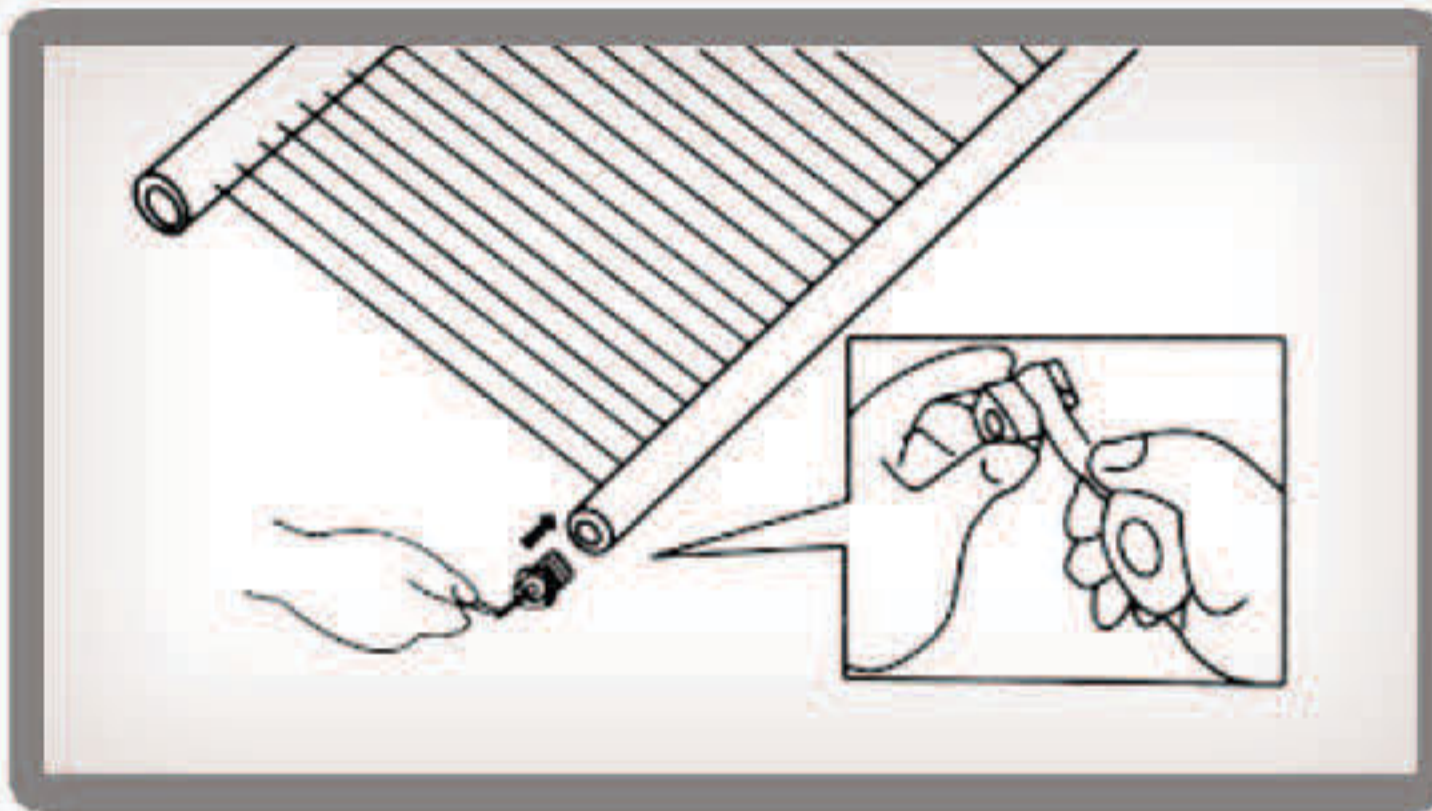
ASSEMBLY

1 Select your desired installation position and ensure that the wall is sufficiently strong enough to hold the weight of the ladder rail. Brick or breezeblock walls are ideal. If positioning on plasterboard wall it **MUST** be fixed to timber batons.

2 Screw the blanking plug **B** and the air vent plug **C** into the top two threads in the upright channels of the ladder rail **A**. They can be fitted on either side. Using a cloth to prevent scratching, tighten them with a spanner. Apply **PTFE** tape.



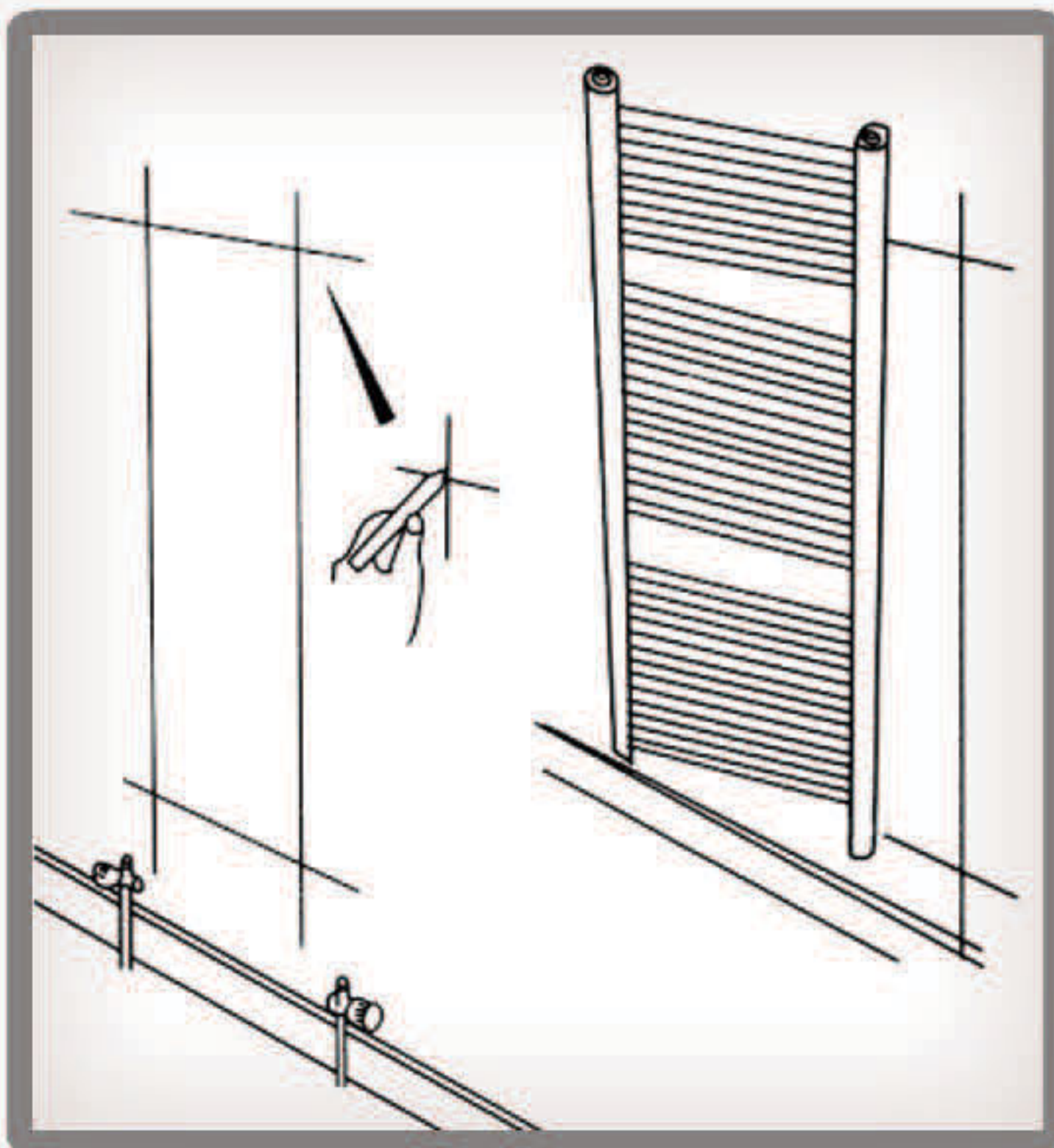
3 Thread the tails from the radiator valves (not supplied) into the bottom two threads. Apply **PTFE** tape.



4 The wall supports should be fitted at approximately 10cms from the inside edge of the ladder rail - 2 near the top of the ladder rail and 2 near the bottom.

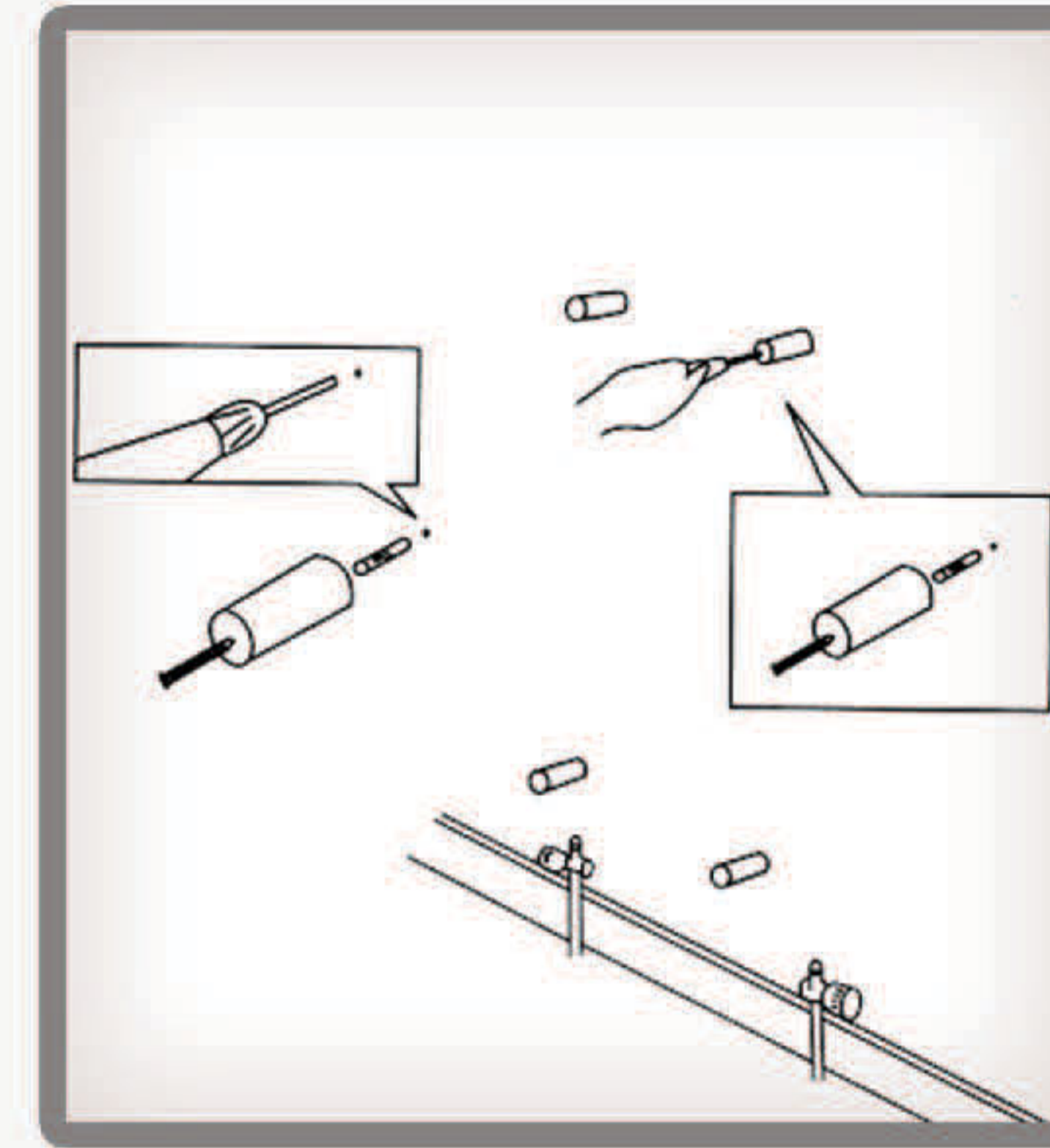
The mounting height can be varied between any of the ladder rail bars to allow for finding the best fixing point in the wall.

Mark the fixing point with a pencil.



5 Mounting to Brick or Breezeblock

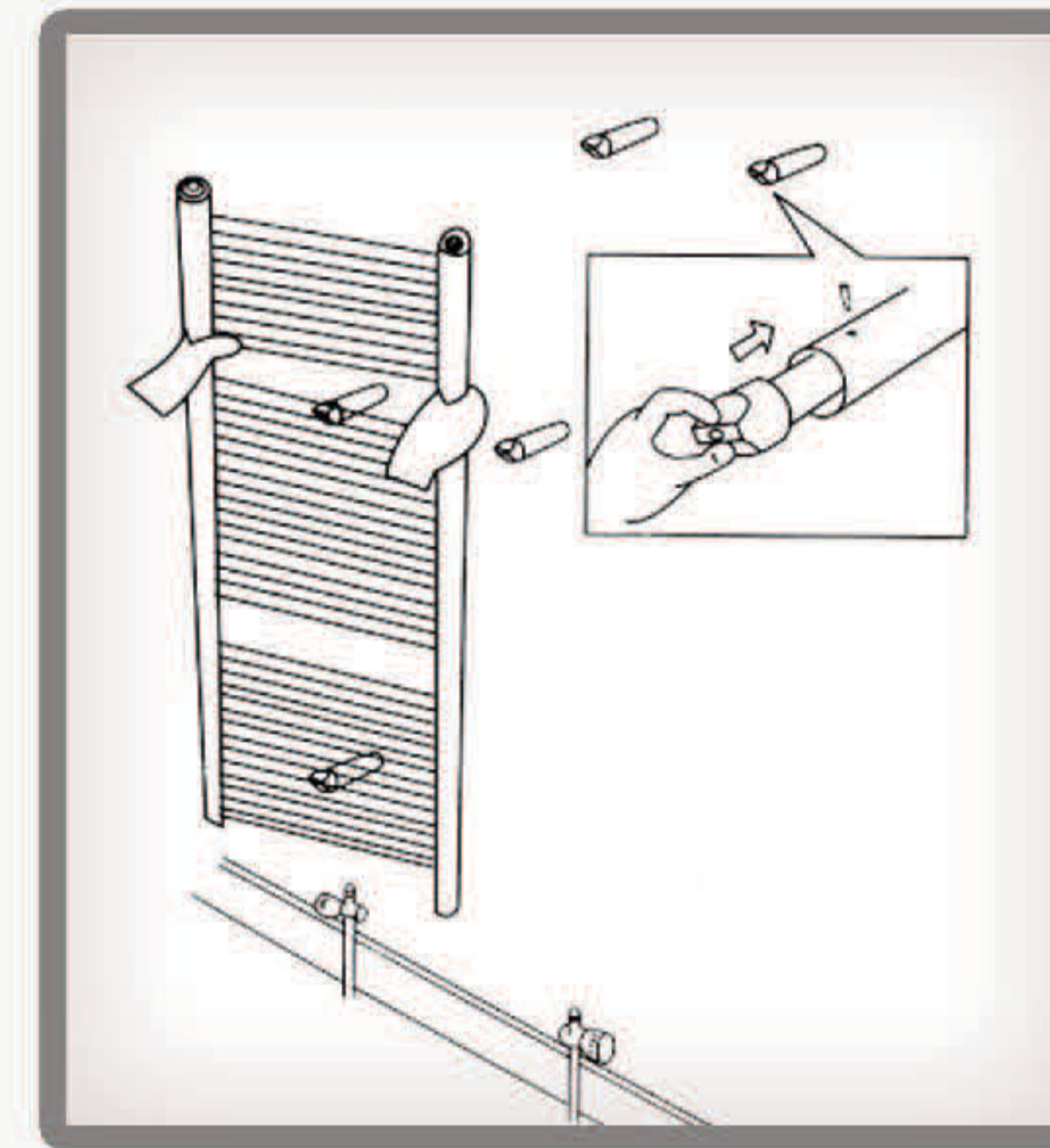
At the required fixing positions drill hole using 8mm masonry bit and insert the wall plug **E** into the hole ensuring it is flush with the wall. Place long screw **F** through the centre of the wall support and tighten into the wall plug.



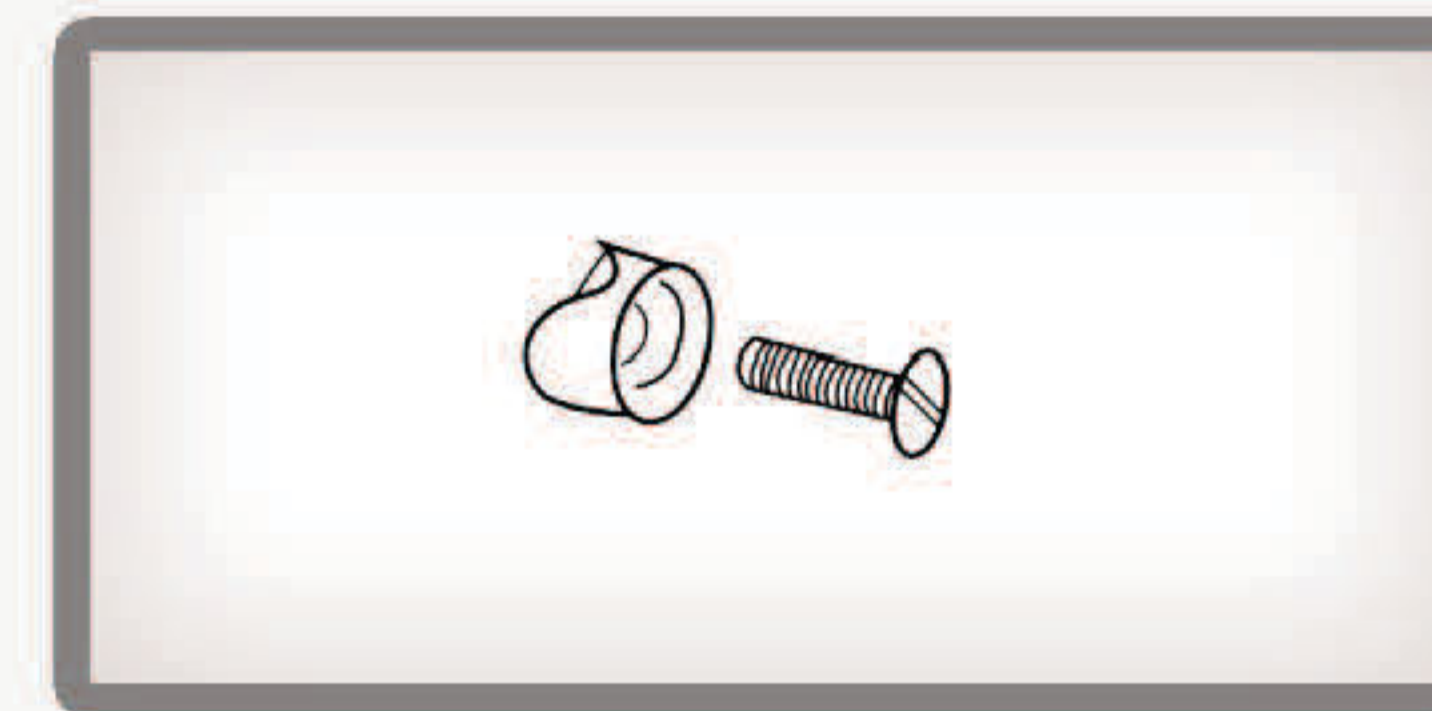
Mount to wood

Place long screw **F** through the centre of the wall support **D** and screw into the wooden baton at the required fixing positions.

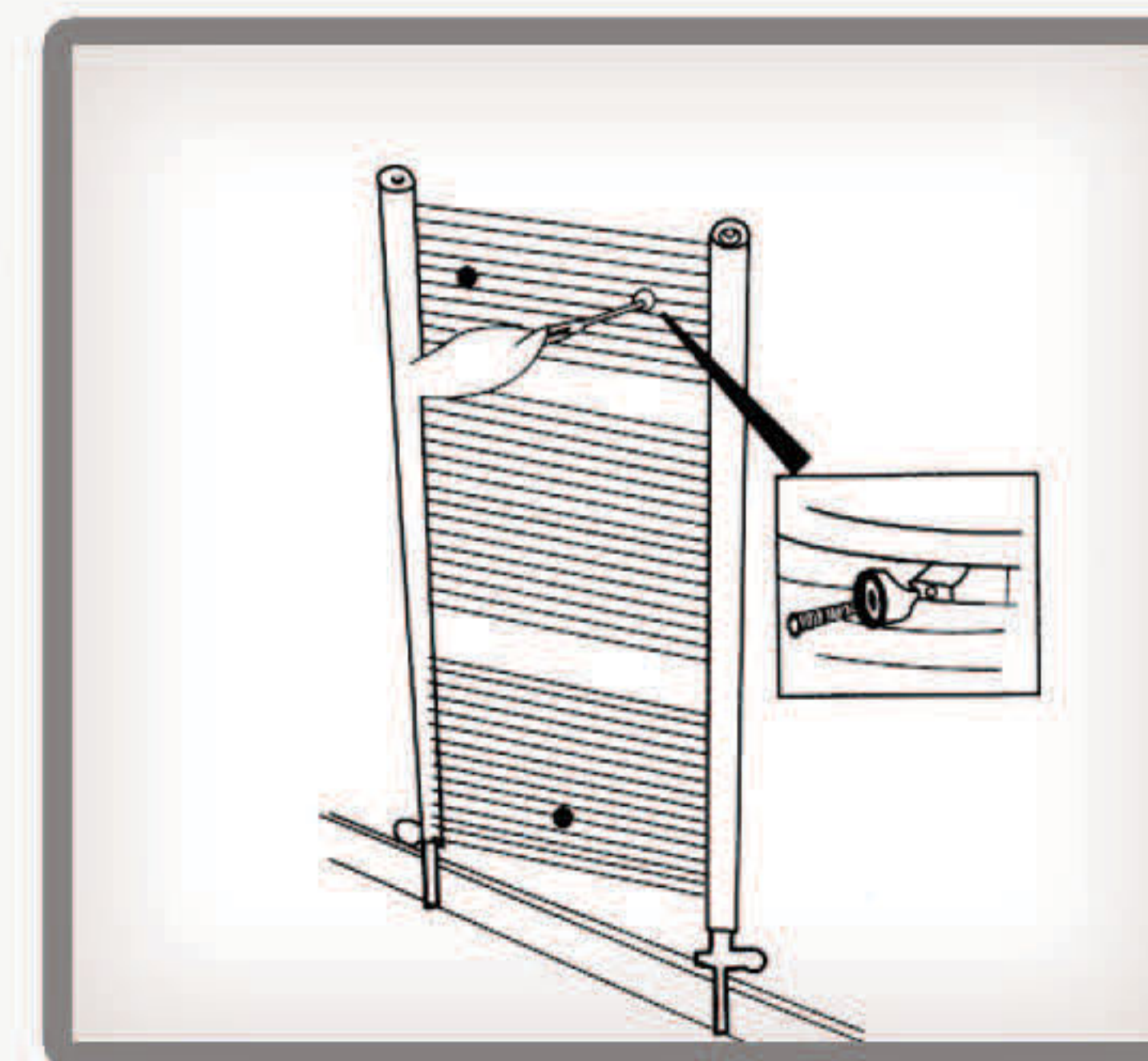
6 Place the spacer **H** inside the wall support and insert the small screw **G** into the hole in the wall support. **DO NOT** over tighten to allow for adjustment later.



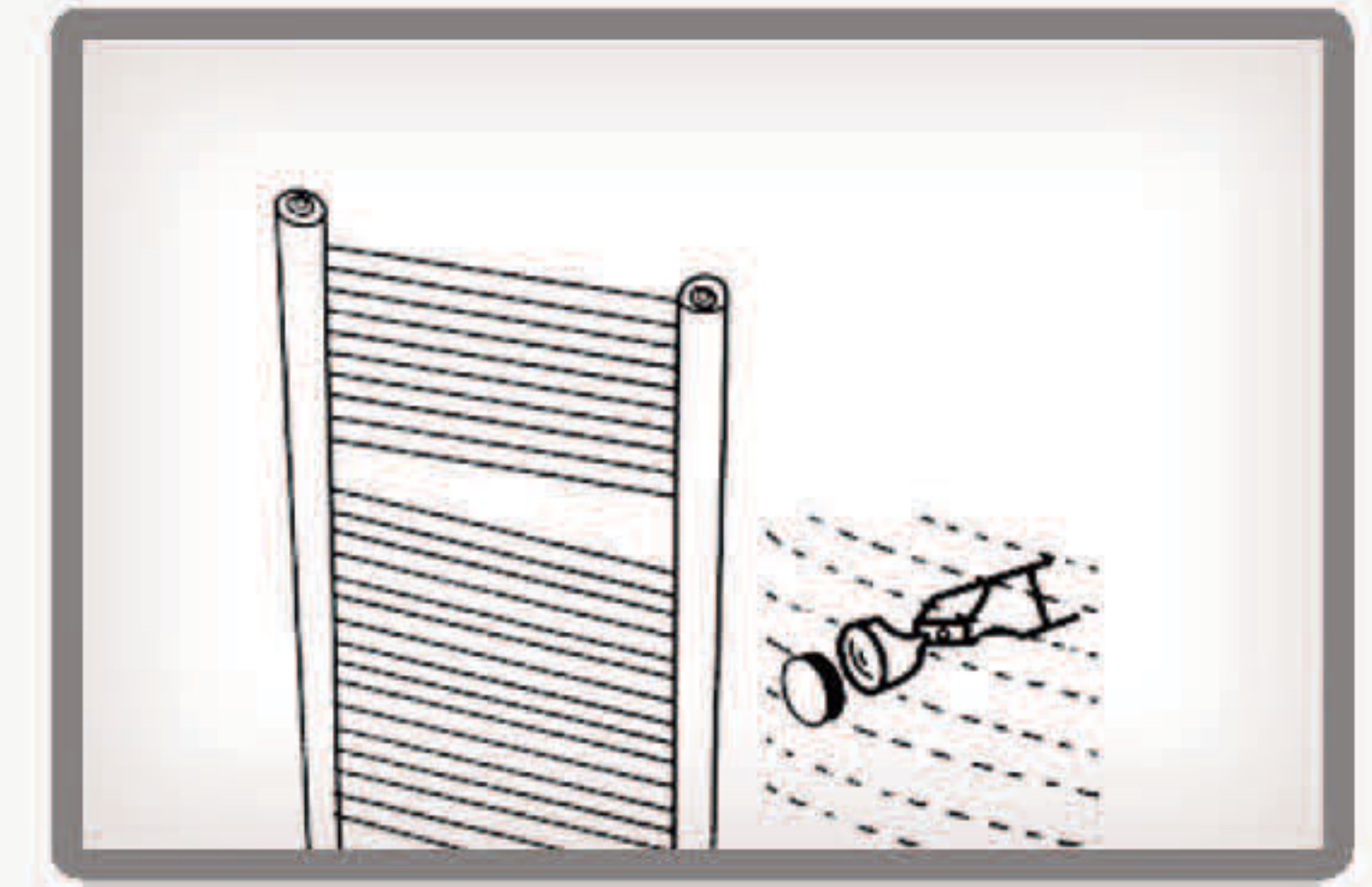
7 Offer the ladder rail **A** up to the fixing brackets and place bolt **J** through the bracket bus **K**.



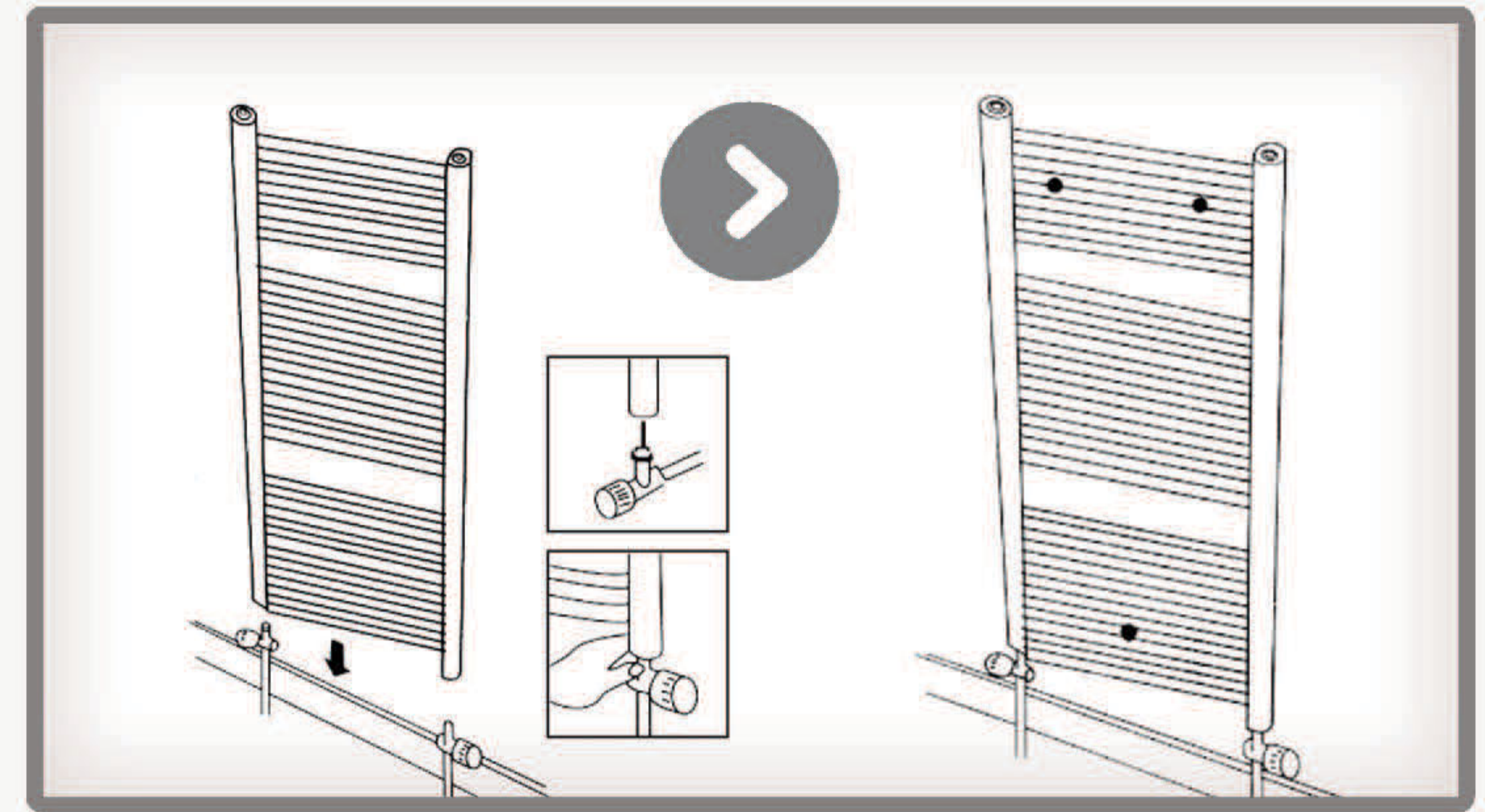
Place the bolt between the selected ladder rail bars and thread into the wall support ensuring the square face of the bracket bush is aligned with the ladder rail.



8 Push the rail flat against the wall, adjust the required depth and tighten the small screws to secure. Push the end caps **I** over each of the bracket heads until they click into position



9 Connect the radiator valve tail to the radiator valve and tighten securely. Apply **PTFE** tape.



IMPORTANT

- ✓ Ensure that your central heating system is thoroughly flushed before use to rinse out any foreign residues.
- ✓ Wipe the surface clean with a soft, damp cloth. Never use abrasive cleaners on this product as they will damage the surface.
- ✓ It is recommended that a suitable inhibitor be added to the central heating system to help prevent internal corrosion and limescale build-up.