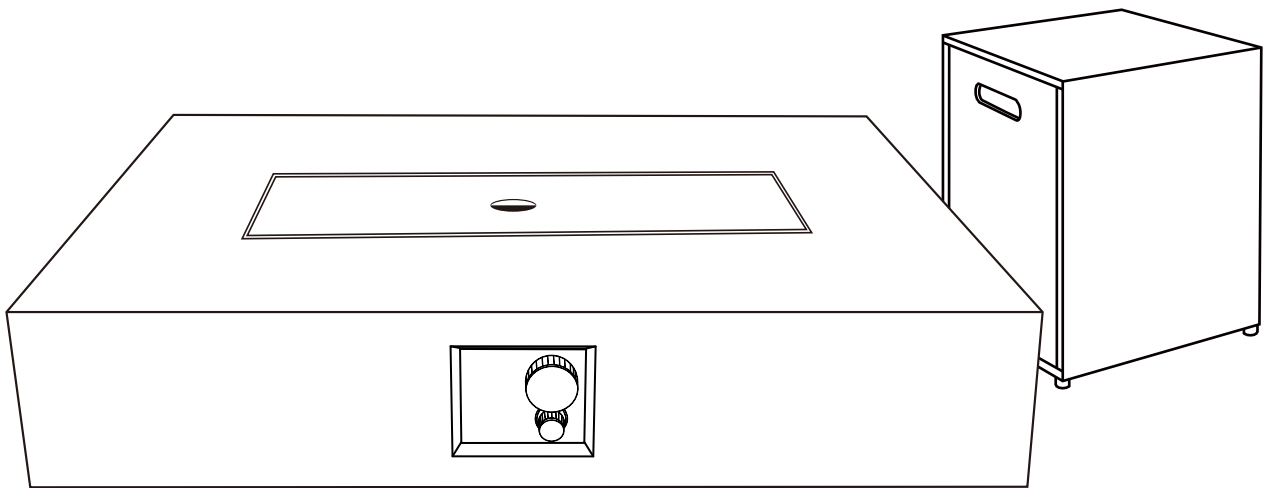
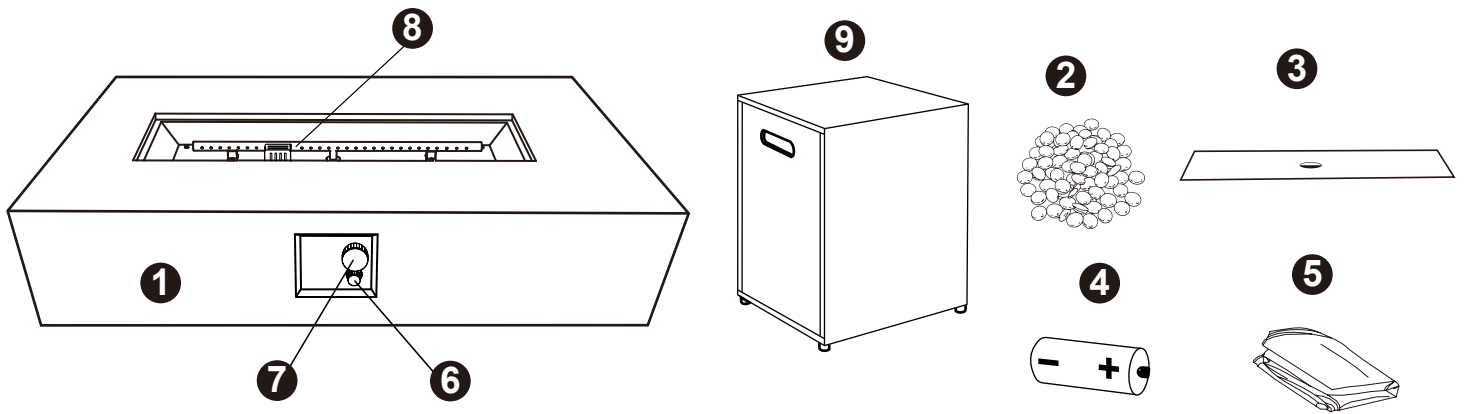


# 56" Rectangular Iron Fire Pit with Tank Table

INSTRUCTION MANUAL



Keep the instructions for future reference  
For customer service, please email [service@u-pha.com](mailto:service@u-pha.com)



|   |   |      |
|---|---|------|
| 1 | Fire Pit Table Body                     | 1 PC |
| 2 | Fire Glass                              | 1 PC |
| 3 | Iron Lid                                | 1 PC |
| 4 | AA Battery                              | 1 PC |
| 5 | Rain Cover                              | 1 PC |
| 6 | Electric Ignition                       | 1 PC |
| 7 | Control Knob                            | 1 PC |
| 8 | Burner                                  | 1 PC |
| 9 | Iron Tank Table (Installation required) | 1 PC |

**Tip: The iron tank table is stored at the bottom of the fire pit table. Installation is required.**

**SAFETY PRECAUTIONS**


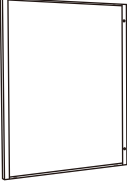
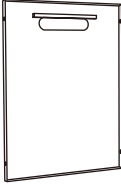
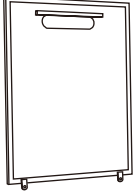
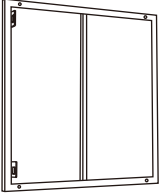



For support or inquiries, contact [service@u-pha.com](mailto:service@u-pha.com)

1. Place the fire pit table on a flat, sturdy surface to prevent tipping.
2. Do not sit on the fire pit table or place hands or feet on the surface of the appliance.
3. Allow the appliance to cool down completely before cleaning or moving.
4. Cover the metal lid only after the appliance is turned off and fully cooled.
5. Do not block the burner outlet holes with fire glass, or the flames may be extinguished.
6. Turn off the gas supply and cover the fire pit table when not in use to prevent gas leakage.
7. When not in use, store the fire pit table in a dry, covered location to prevent rust and damage.
8. This appliance is designed for use with **propane gas only**. Do not use with natural gas (natural gas accessories are not included).
9. If you experience any issues with the product, please contact our after-sales team.

# TANK TABLE PACKAGE CONTENTS

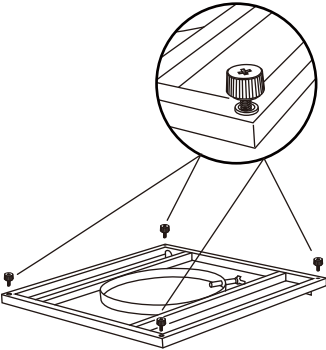
For support or inquiries, contact [service@u-pha.com](mailto:service@u-pha.com)

Please check whether the parts are in good condition before assembling .

|   |     |   |       |  |      |   |     |
|---|-----|---|-------|--|------|---|-----|
|  |     |  |       |  |      |  |     |
| Fixed Base  | 1PC | Side Panel  | 2PCS  | Back Panel   | 1PC  | Front Panel   | 1PC |
|  |     |  |       |  |      |  |     |
| Top Panel   | 1PC | M6X12   | 12PCS | Adjustable feet  | 4PCS | Hexagon Spanner   | 1PC |

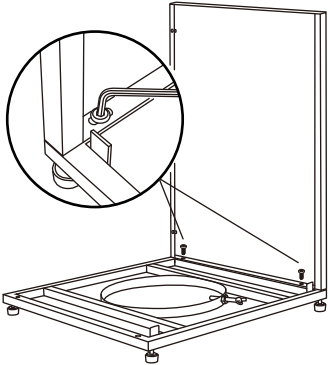
# TANK TABLE ASSEMBLE INSTRUCTIONS

**01**



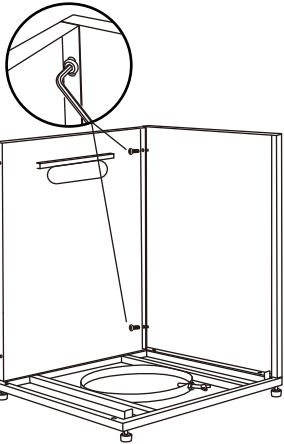
Rotate the adjustable feet into the fixed base

**02**



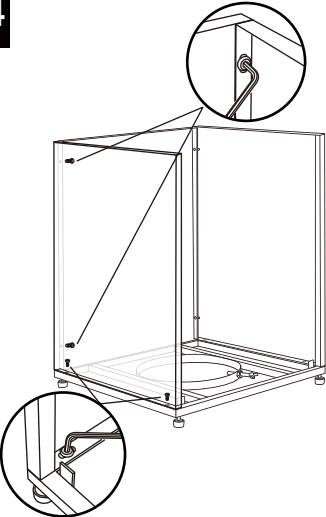
Start by installing one of the side panels

**03**



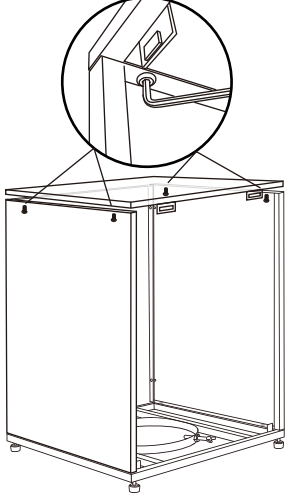
Secure the side panel to the rear panel with screws

**04**



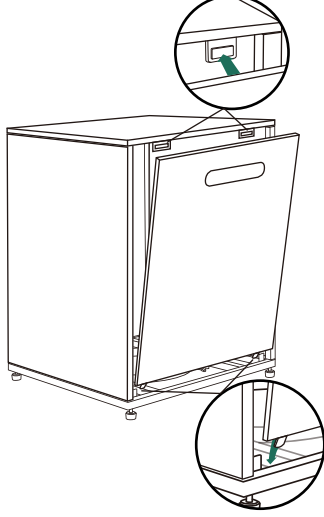
Secure the other side panel once again

**05**



Screw on the top panel

**06**

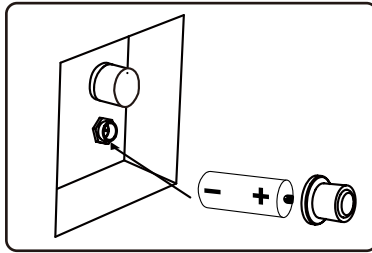


Put on the front panel

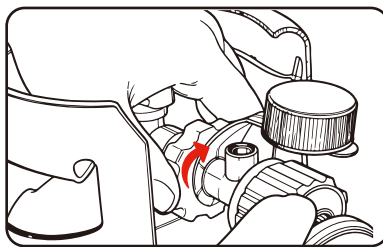
Do not fully tighten all screws until assembly is completed.

1. Open the package and carefully remove all accessories. Ensure all parts are included.  
(If anything is missing, please contact us by email.)

2. Open the rubber battery cover and insert the battery with the **positive (+) terminal facing outward**.

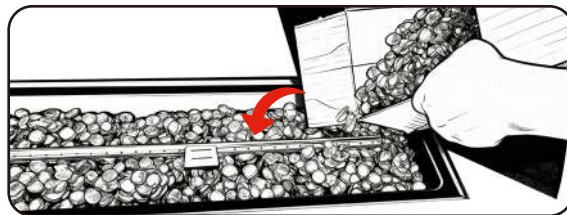


3. Connect the propane hose to the gas tank **clockwise** and tighten securely to prevent leakage.



4. Place the fire glass evenly in the burner pan. **Do not block the burner outlet holes.**

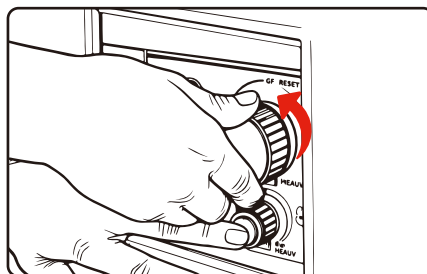
Note: Each fire pit table is factory-tested, so slight traces of combustion may be present.



5. Open the gas valve and wait **3–5 seconds** to allow the gas line to fill.

6. Press and hold the ignition button while turning the control knob **counterclockwise** to ignite.

Hold for **at least 2 seconds**, then release to prevent the flame from going out.

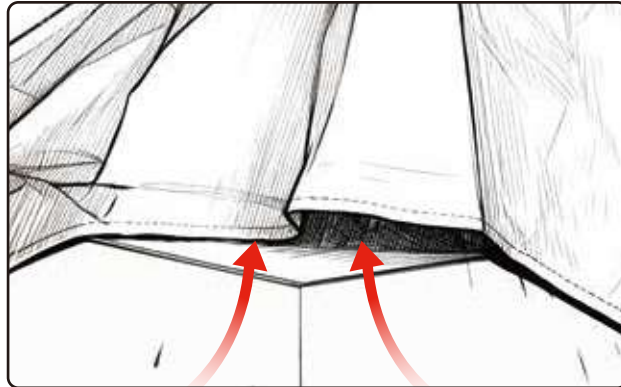


7. Turn the control knob **clockwise** to adjust the flame height or to shut off the burner.

For a detailed demonstration, please refer to the specific ignition video.



1. After each use, cover the **metal lid** to prevent debris from falling into the burner.
2. When the fire pit table is **not in use** or during bad weather, cover it with the rain cover. When the weather improves, remove the rain cover promptly to prevent trapped moisture from causing rust.



3. If water collects on the surface of the fire pit table, **wipe it off promptly** to avoid rusting.



4. Clean with **mild soapy water only**. Do not use flammable or harsh corrosive cleaners.
5. Do not leave the rain cover on for extended periods under **high temperatures**, as the cover's coating may deteriorate and stain the fire pit surface.
6. If storing indoors, **disconnect the propane tank from the gas valve**.
7. Do not touch the fire pit table until the **burner and fire glass have completely cooled**, to avoid burns.
8. If a malfunction occurs or a replacement part is needed, **contact the manufacturer** or hire a **qualified gas technician** to avoid gas leaks caused by improper handling.

### 1. Battery Check

Possible cause: The battery is installed incorrectly or not making proper contact.

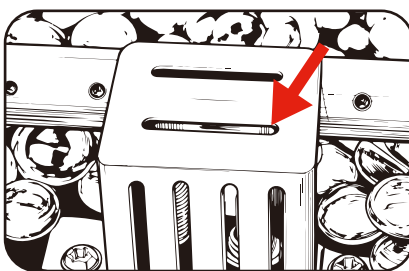
Step 1: Verify that the **positive (+) terminal** of the battery is facing outward.

Step 2: Ensure the **rubber cap** is tightened securely.

Step 3: Press and hold the **ignition button**.

Step 4: Repeat the ignition procedure if necessary.

**Tip:** When the button is pressed and held, you should hear a **ticking sound** and see a **spark above the burner**. This indicates the battery system is functioning correctly.



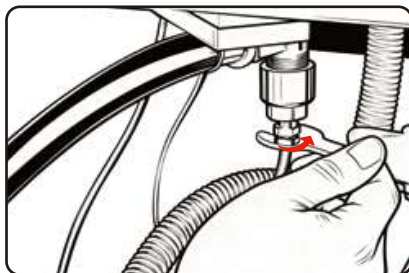
### 2. Propane Supply Check

Possible cause: Propane gas is not reaching the burner.

Step 1: Before the first ignition, allow the **burner tube to fill with gas**.

Step 2: Confirm that the **hose is properly connected** to the propane tank and tightened to prevent leaks.

Step 3: Inspect the **connector on the bottom of the fire pit table** and tighten if loose (refer to the instruction video for details).



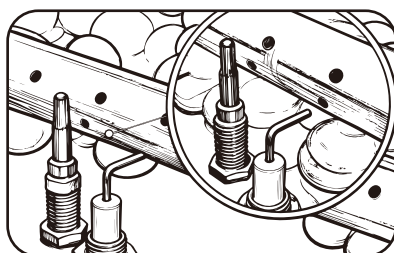
Step 4: Repeat the ignition procedure.

**Tip:** If the burner **ignites when using an external flame source** (such as a long lighter or match), propane has successfully reached the gas line. In this case, the **thermocouple may be faulty**. Please contact our customer service team for further assistance: [service@u-pha.com](mailto:service@u-pha.com).

### 3. Thermocouple Inspection

Possible cause: The thermocouple is misaligned or defective.

Step 1: Remove the **thermocouple** and check whether the tip is aligned with the **gas outlet of the burner tube**.



Step 2: Adjust the screws to **realign the tip**.

Step 3: Repeat the ignition procedure.

**Note:** If the thermocouple is damaged or ignition still fails, please contact us for a replacement or additional **support**: [service@u-pha.com](mailto:service@u-pha.com).



The propane gas tank table is located at the bottom of the fire pit table.



**42" Round Iron Fire Pit Table**  
Includes:  
Propane Gas Tank Table

**42" Rectangular Iron Fire Pit Table**  
Includes:  
Propane Gas Tank Table



**56" Rectangular Iron Fire Pit Table**  
Includes:  
Propane Gas Tank Table

# Thank You for Your Support !



X (Twitter)  
[x.com/upha\\_patio](https://x.com/upha_patio)



INS  
[instagram.com/upha.patio](https://instagram.com/upha.patio)



Tiktok  
[tiktok.com/@upha\\_patio](https://tiktok.com/@upha_patio)



Standalone Website  
[u-pha.com](https://u-pha.com)



Youtube  
[youtube.com/@UPHA\\_Patio](https://youtube.com/@UPHA_Patio)



Chat Support



Product Inquiry



Orders FAQ



Product Assembly



Returns & Refunds



## Missing parts? Damaged product? Or other questions?

Before returning the goods, please contact us first. We will do our best to provide you with a satisfactory solution!

Contact Email: [service@u-pha.com](mailto:service@u-pha.com)