

# Assembly Instructions

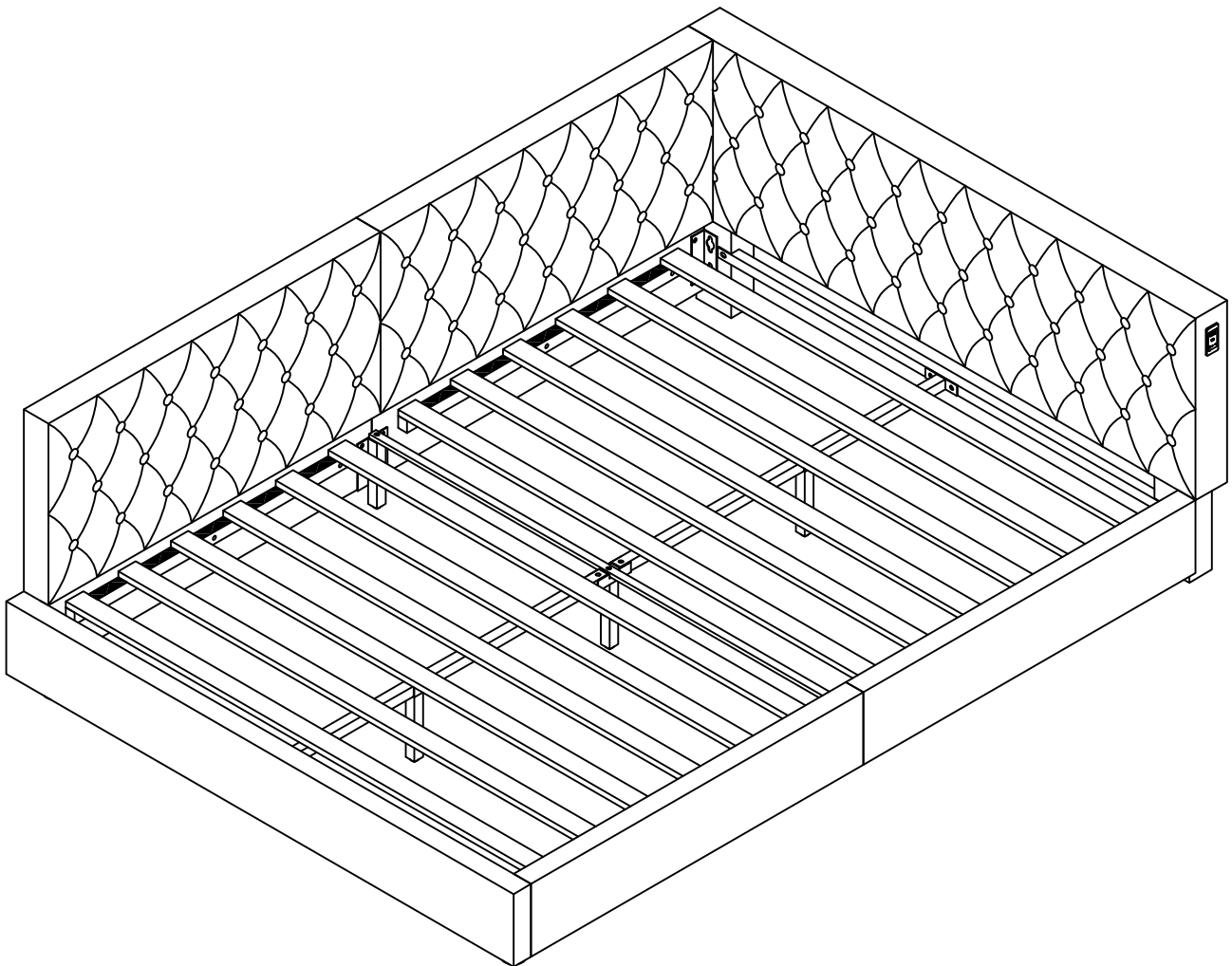
Please check that you have all the parts listed before you start assembling, if you do find that something is missing, do not continue assembly, please contact us immediately.

**NOTE:** Please do not completely tighten all the hardware until the entire assembly is complete!

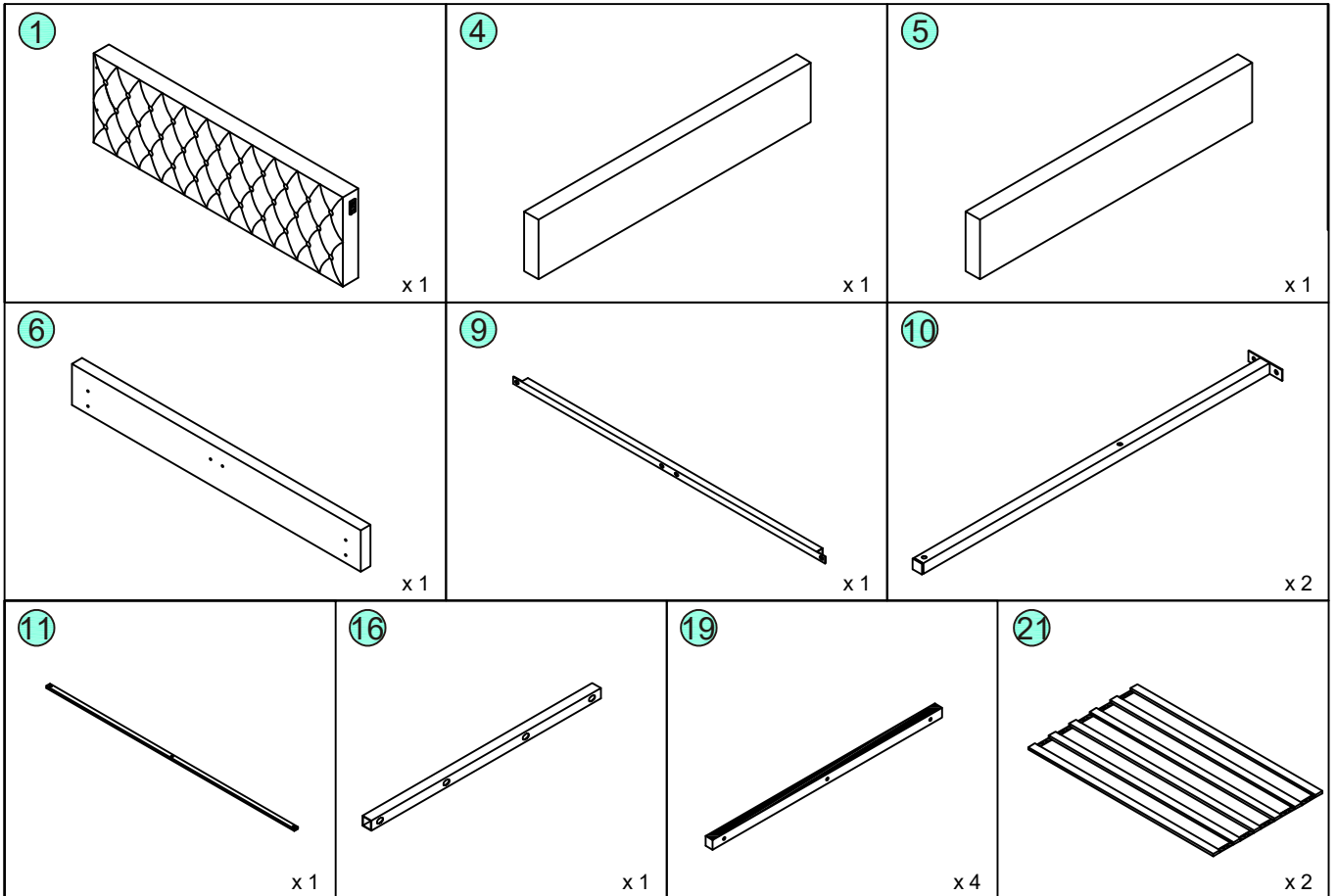
## Bauanleitung

Bitte überprüfen Sie, ob alle Teile mitgeliefert sind, bevor Sie mit der Montage beginnen. Wenn Sie festlegen, dass etwas fehlt, setzen Sie die Montage nicht fort, Bitte kontaktieren Sie uns sofort.

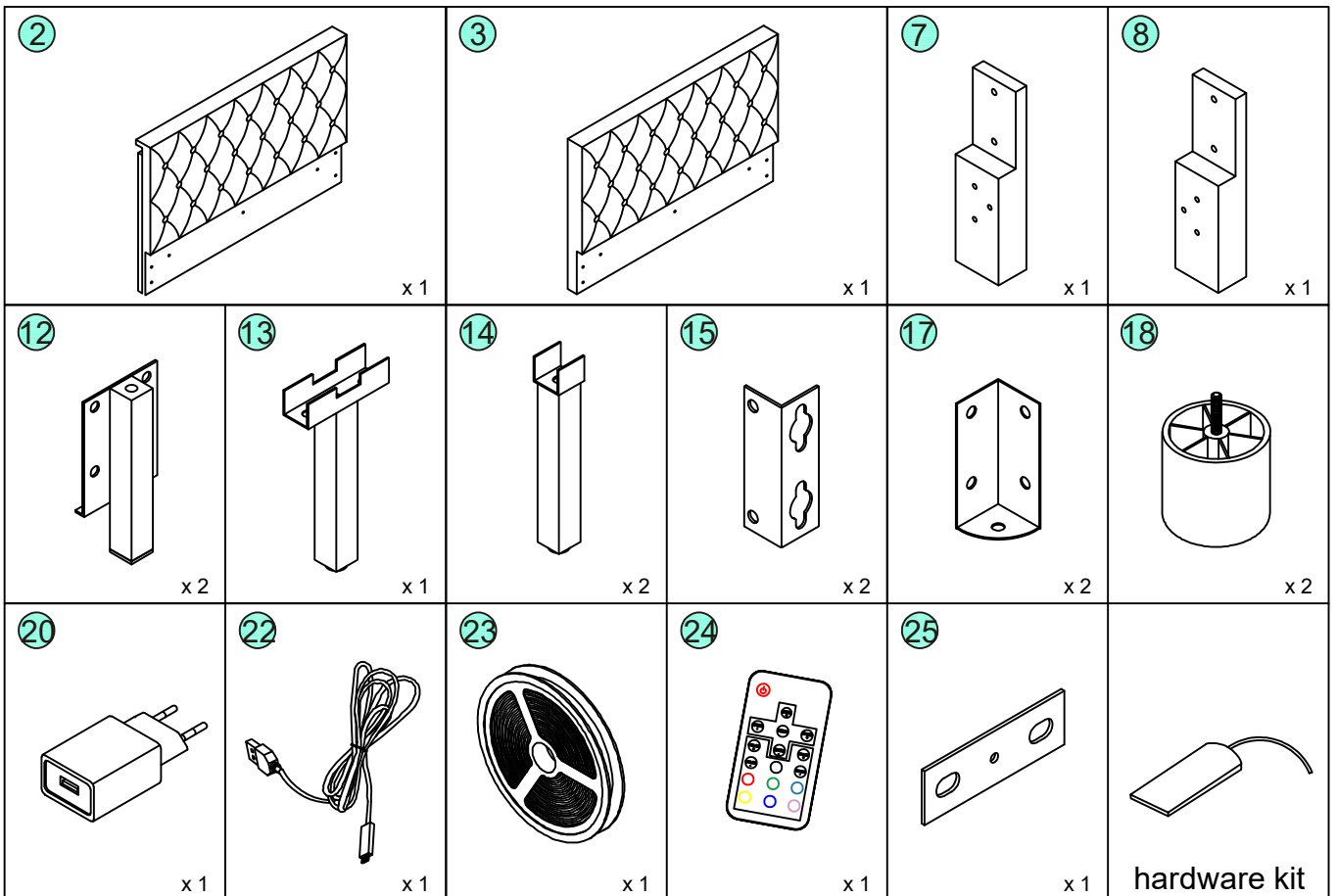
**Achtung:** Bitte ziehen Sie nicht alle Schrauben fest, bevor die Montage abgeschlossen ist!



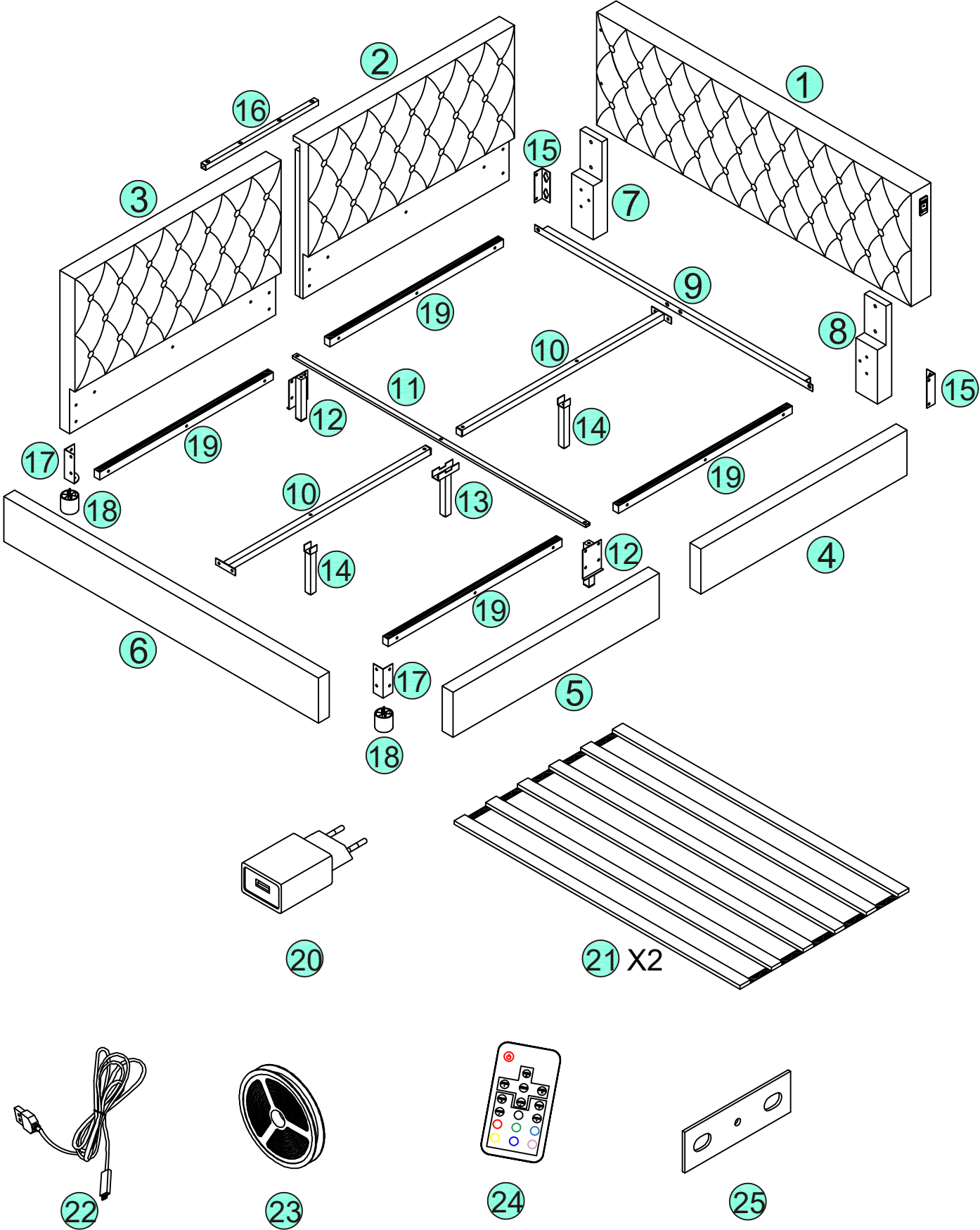
# BOX-1/2

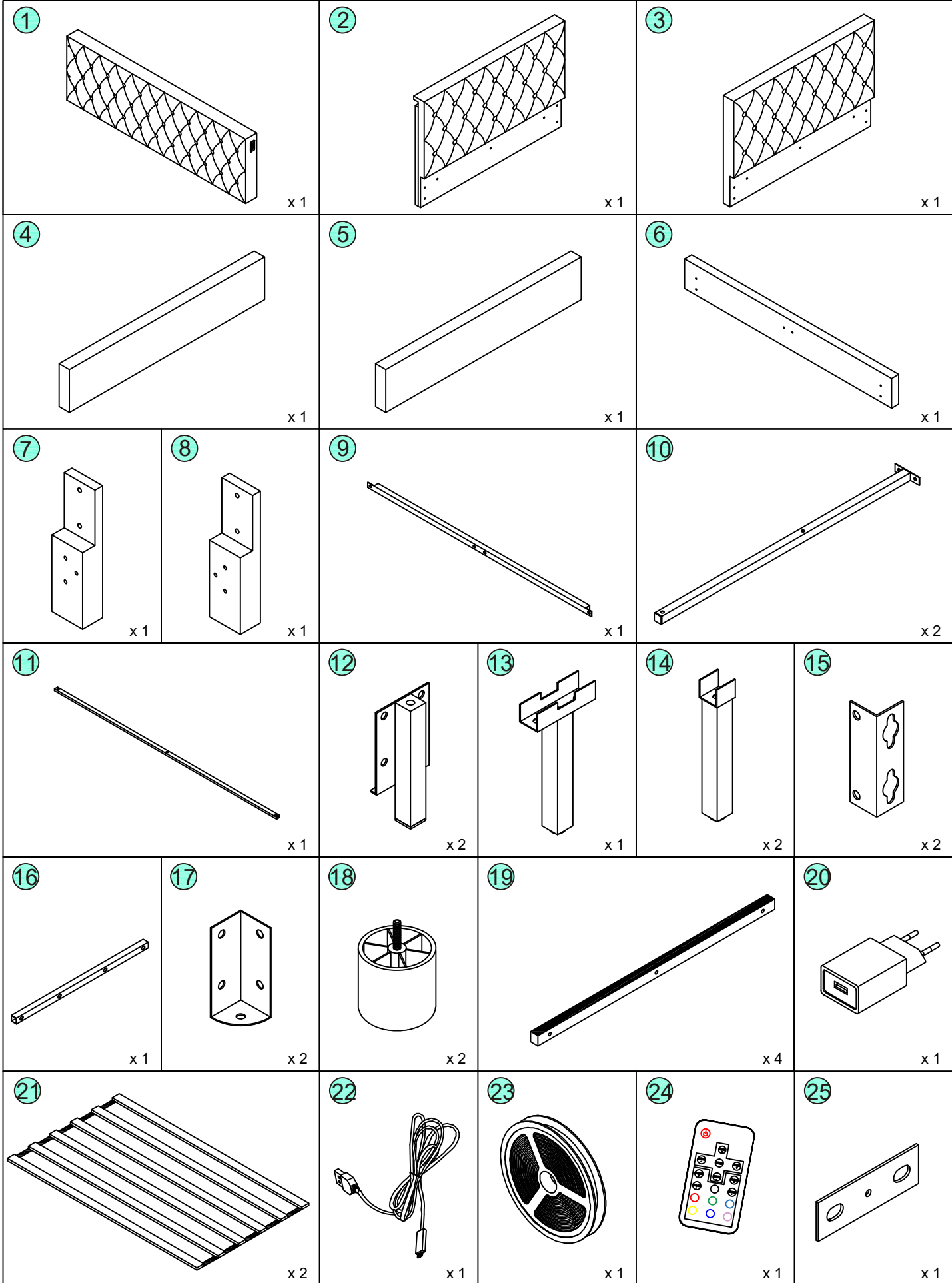


# BOX-2/2



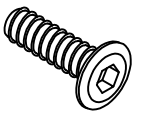
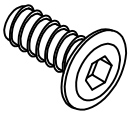
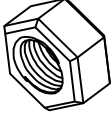
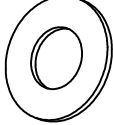
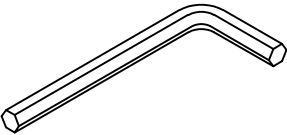
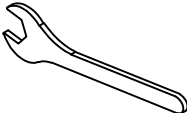


# Stückliste

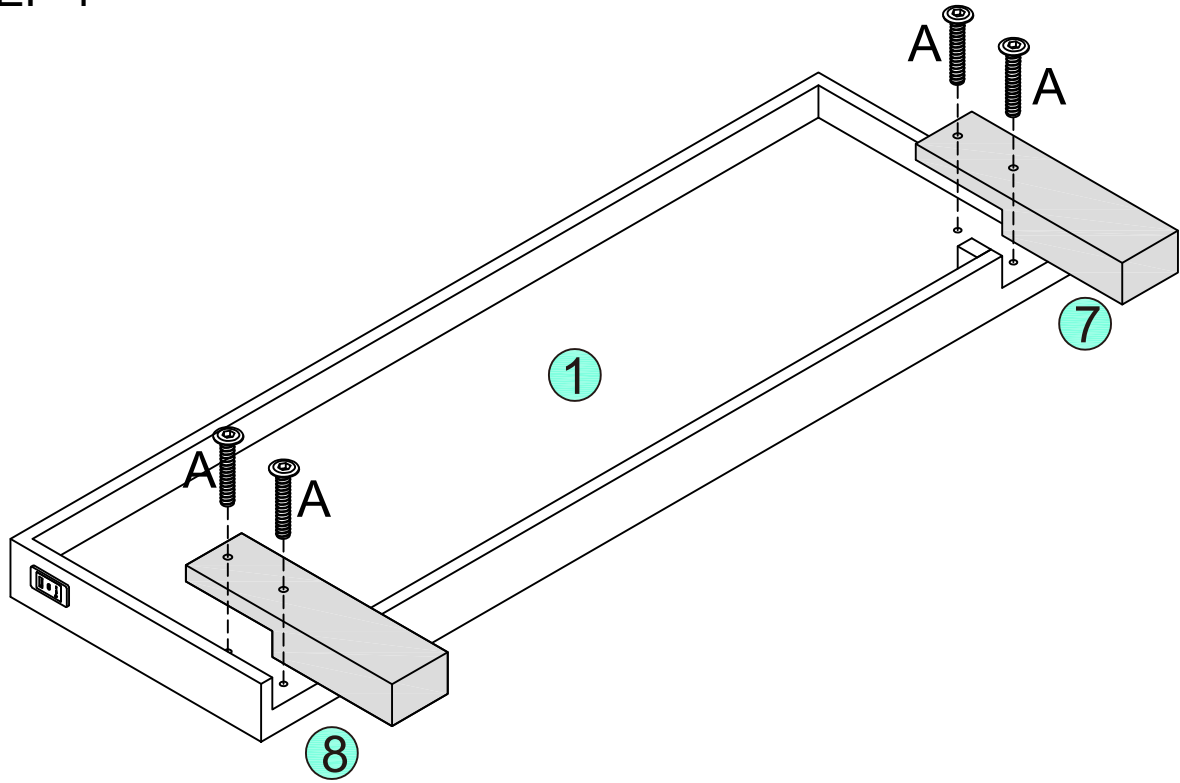






# Hardware List- Hardware-Liste

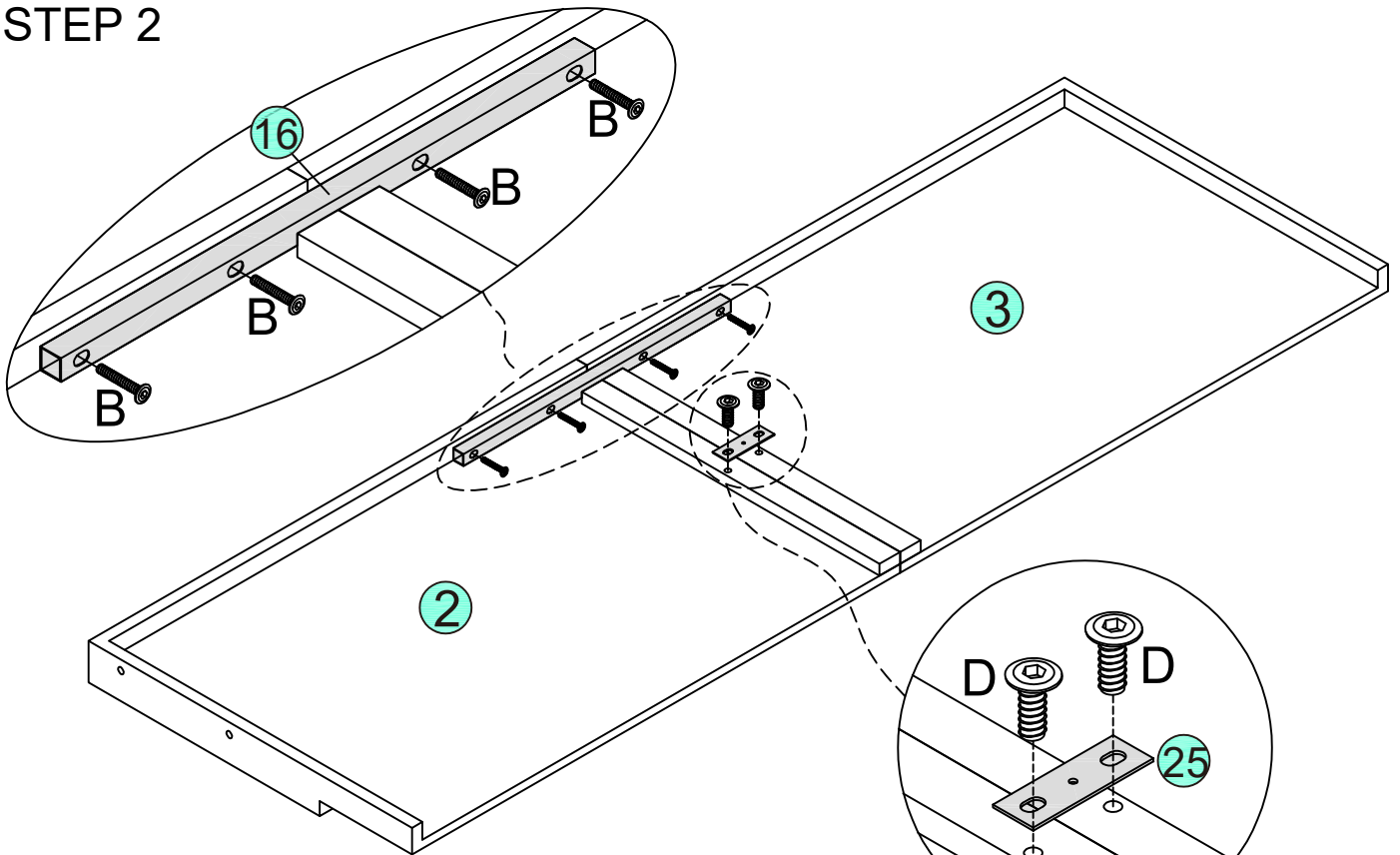
<p>Ax23+2 PCS</p>  <p>5/16X40mm</p>	<p>Bx6PCS</p>  <p>5/16X35mm</p>	<p>Cx14+1 PCS</p>  <p>5/16X25mm</p>
<p>Dx18+1 PCS</p>  <p>5/16X15mm</p>	<p>Ex4 PCS</p>  <p>5/16</p>	<p>Fx4 PCS</p>  <p>Ø19X5/16</p>
<p>Gx1 PC</p>  <p>5/16</p>	<p>Hx1 PC</p>  <p>5/16</p>	






# STEP 1



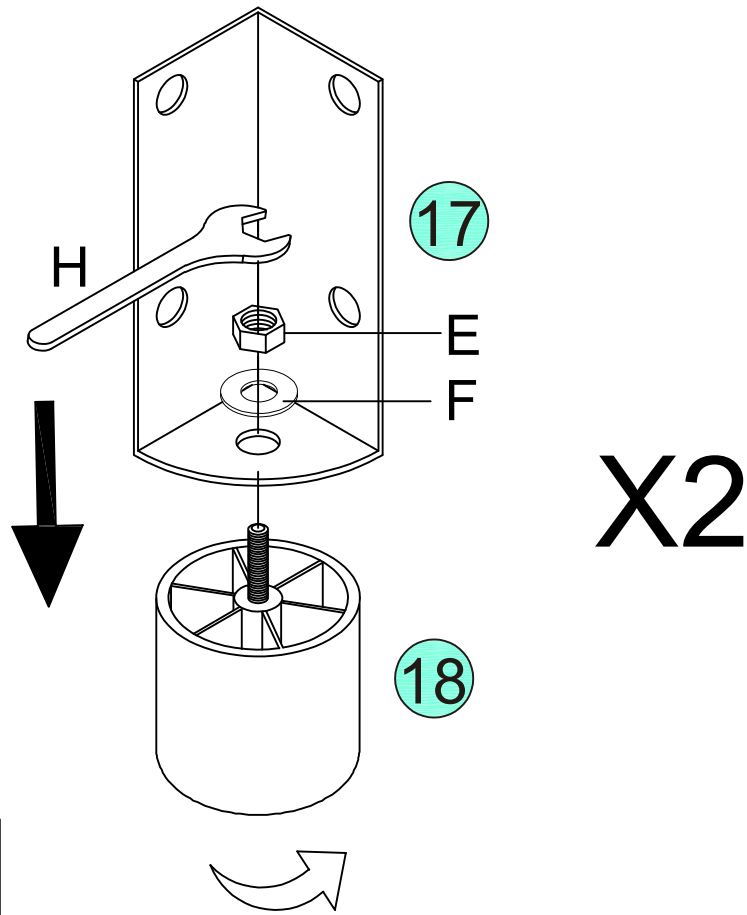
A x 4	GX 1
	
5/16X40mm	5/16

# STEP 2



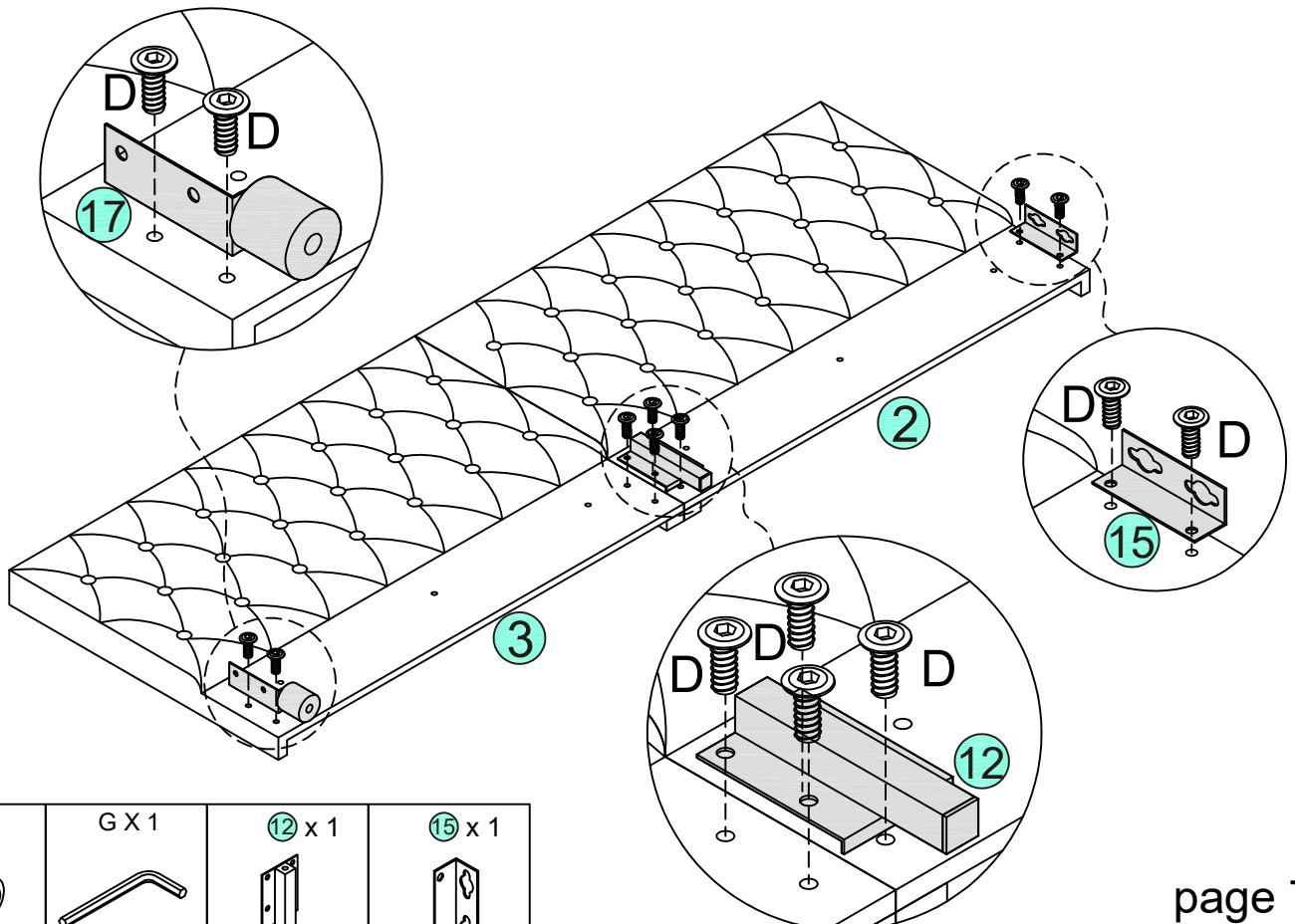
B X 4	D X 2	GX 1	16 x 1	25 x 1
				
5/16X35mm	5/16X15mm	5/16		

### STEP 3



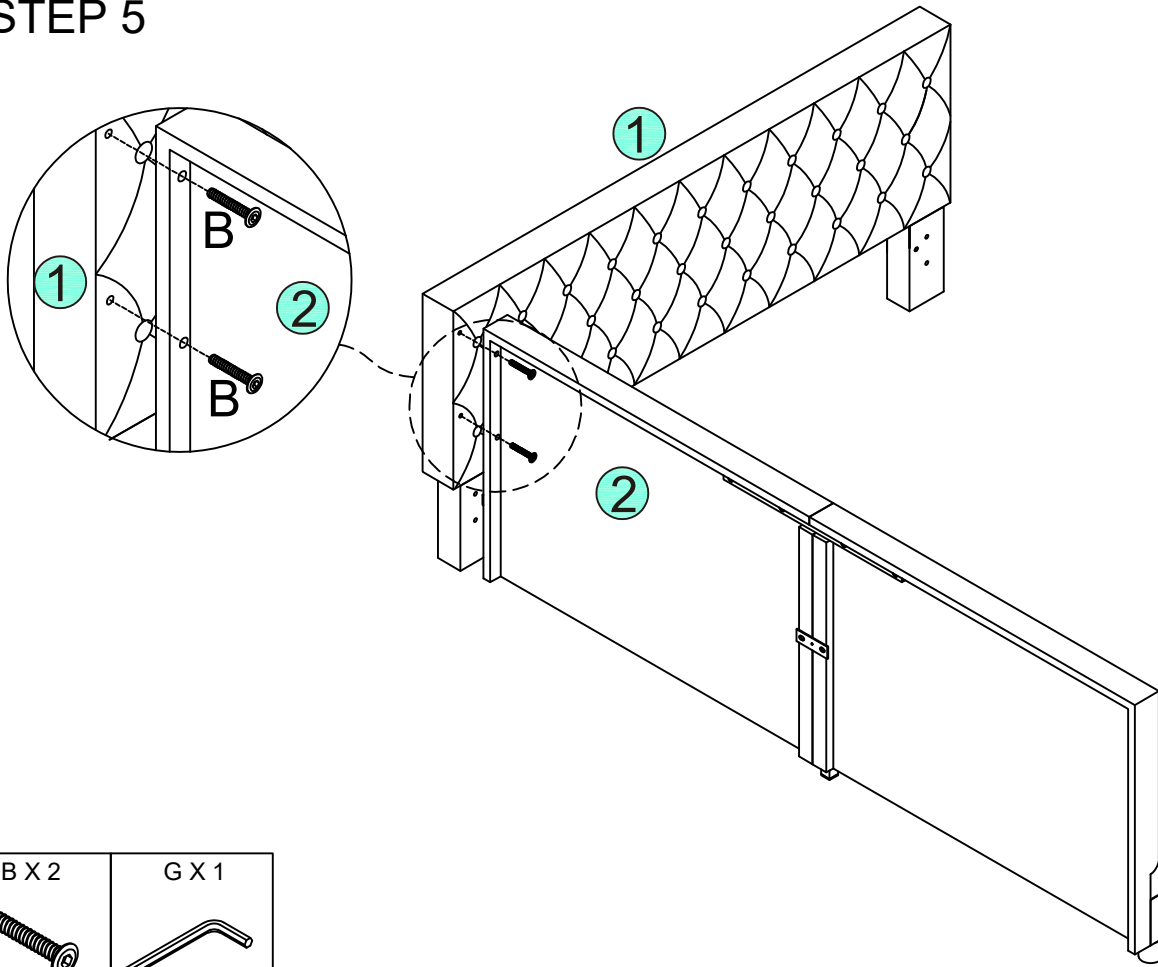
<b>18 x 2</b> 	<b>17 x 2</b> 
<b>E x 2</b> 	<b>F x 2</b> 
<b>5/16</b>	<b>5/16</b>
	<b>H x 1</b> 
	<b>5/16</b>



### STEP 4



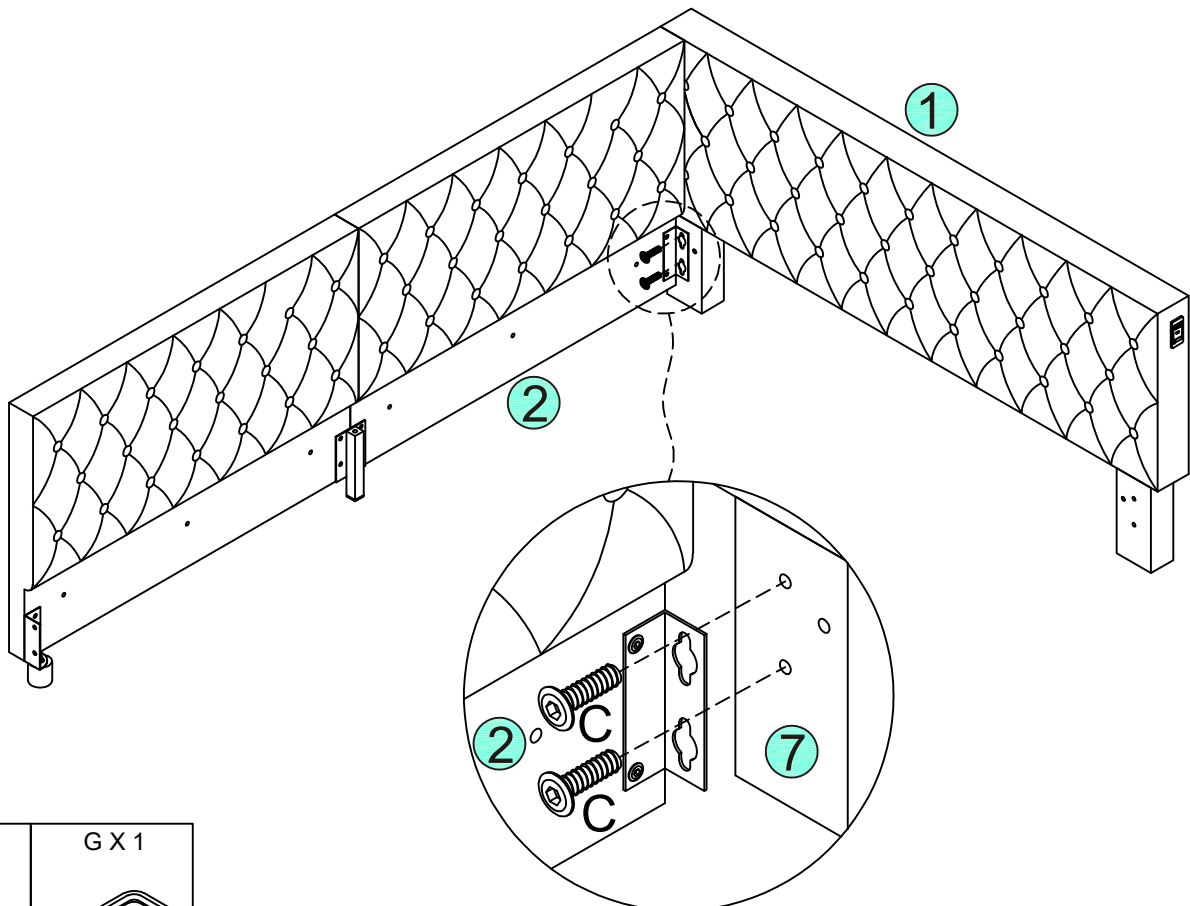
<b>D X 8</b> 	<b>G X 1</b> 	<b>12 x 1</b> 	<b>15 x 1</b> 
<b>5/16X15mm</b>	<b>5/16</b>		



# STEP 5



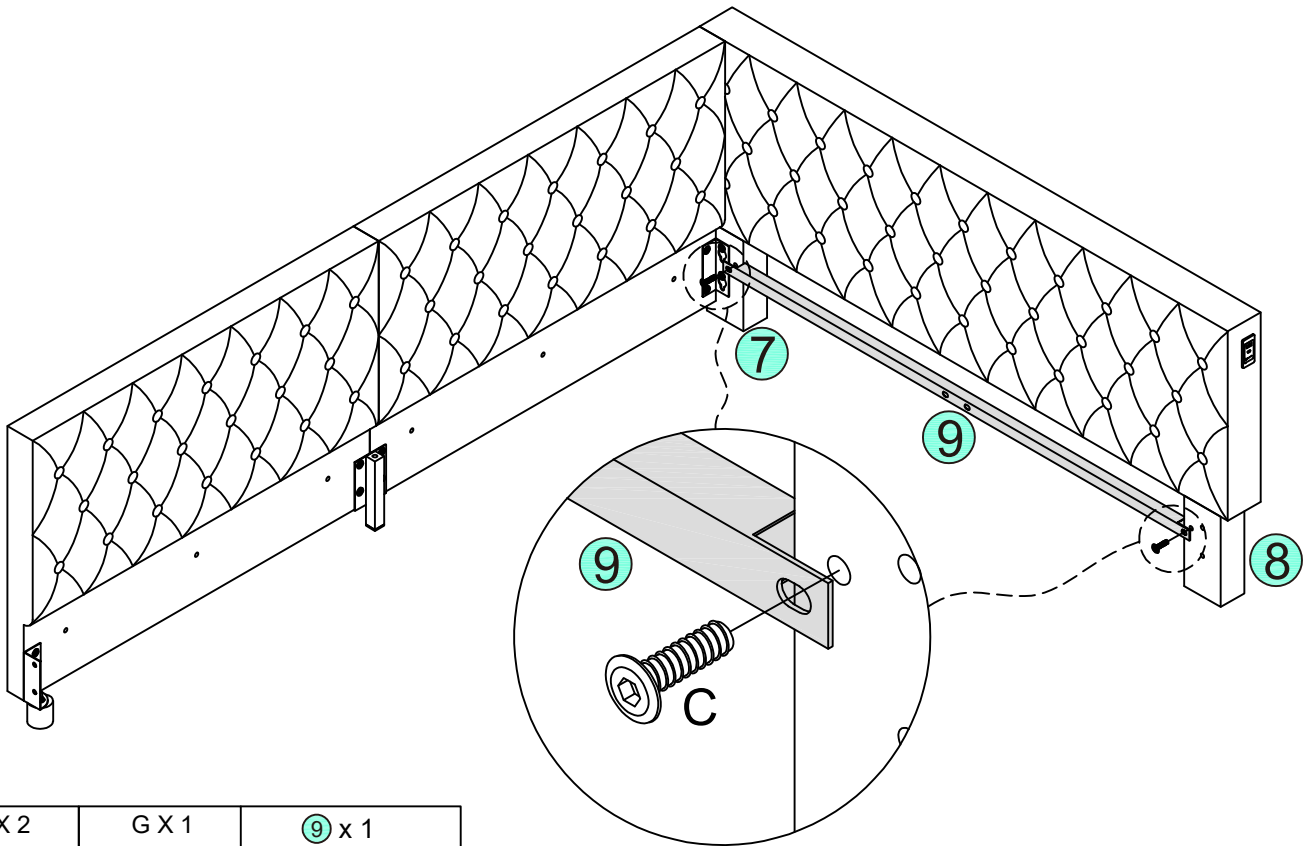
B X 2	G X 1
	
5/16X35mm	5/16




# STEP 6



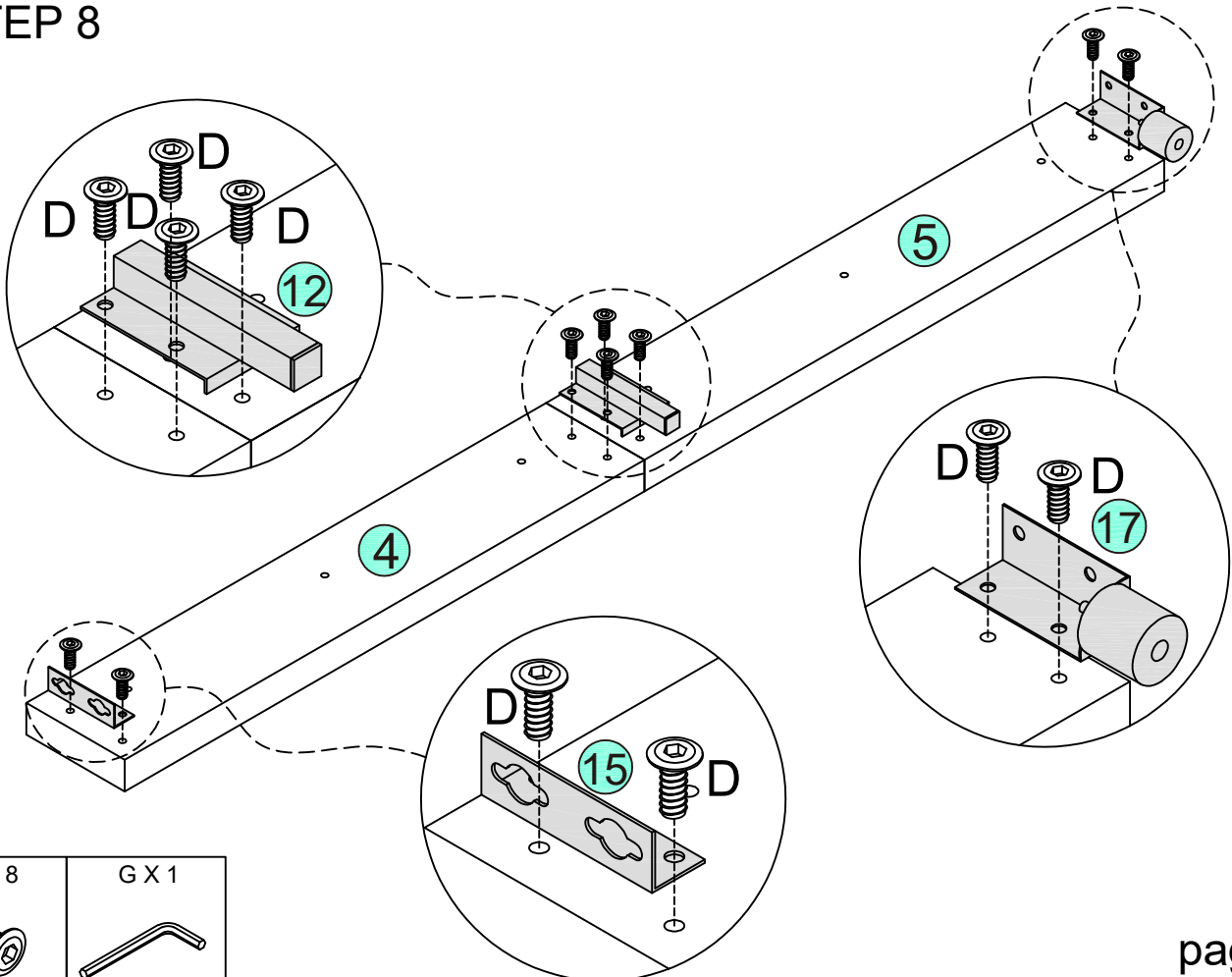
C X 2	G X 1
	
5/16X25mm	5/16



# STEP 7



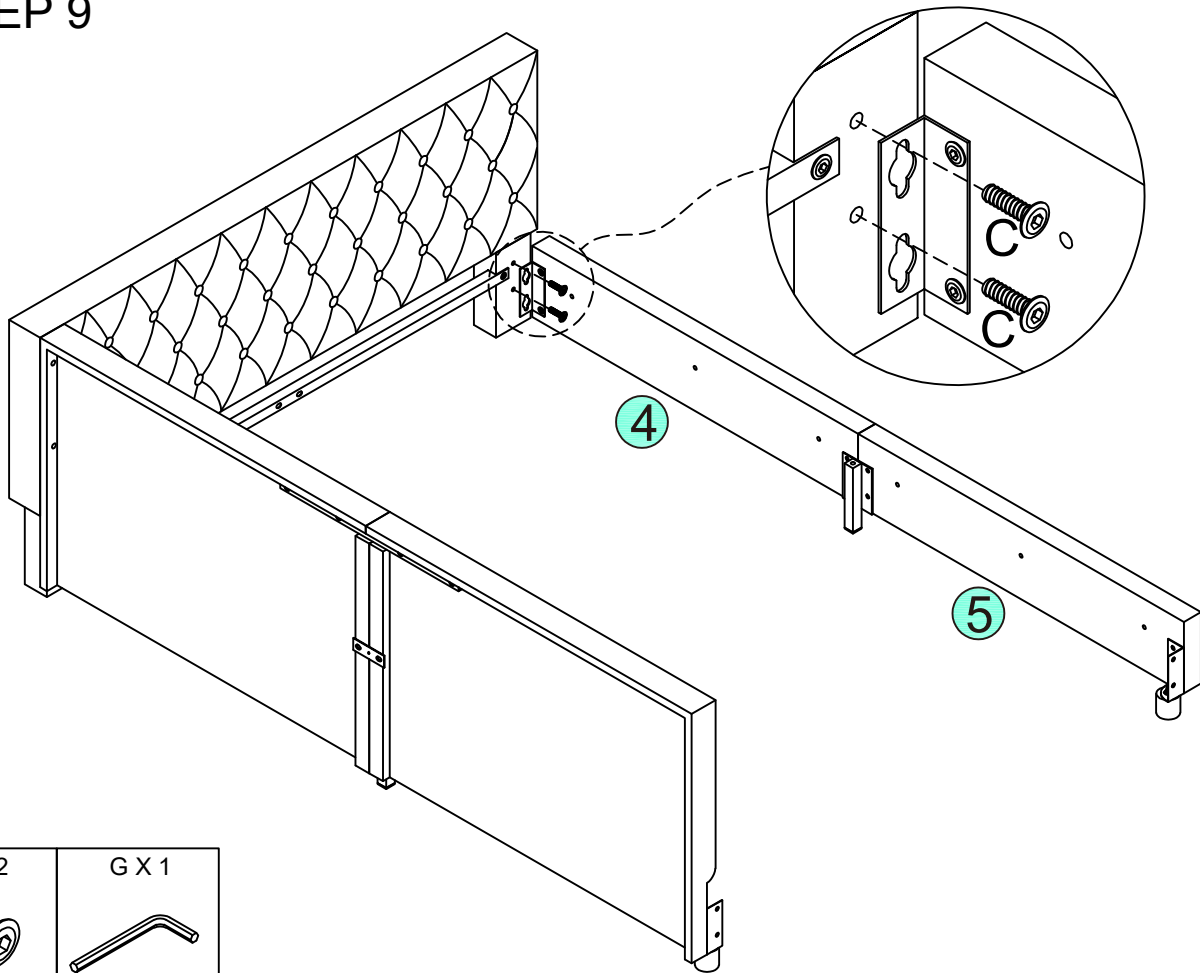
C X 2	G X 1	9 x 1
		
5/16X25mm	5/16	



# STEP 8



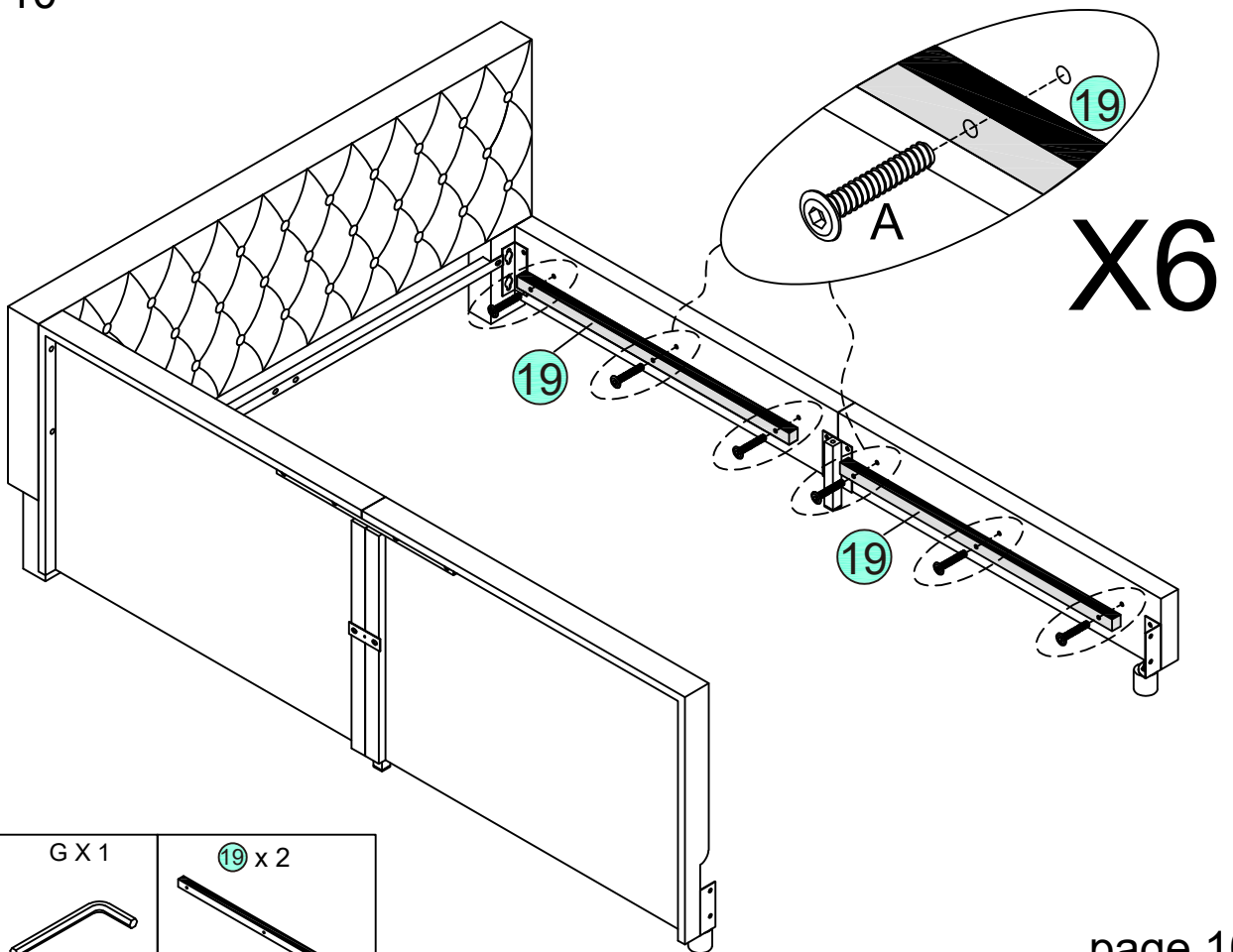
D X 8	G X 1
	
5/16X15mm	5/16




# STEP 9



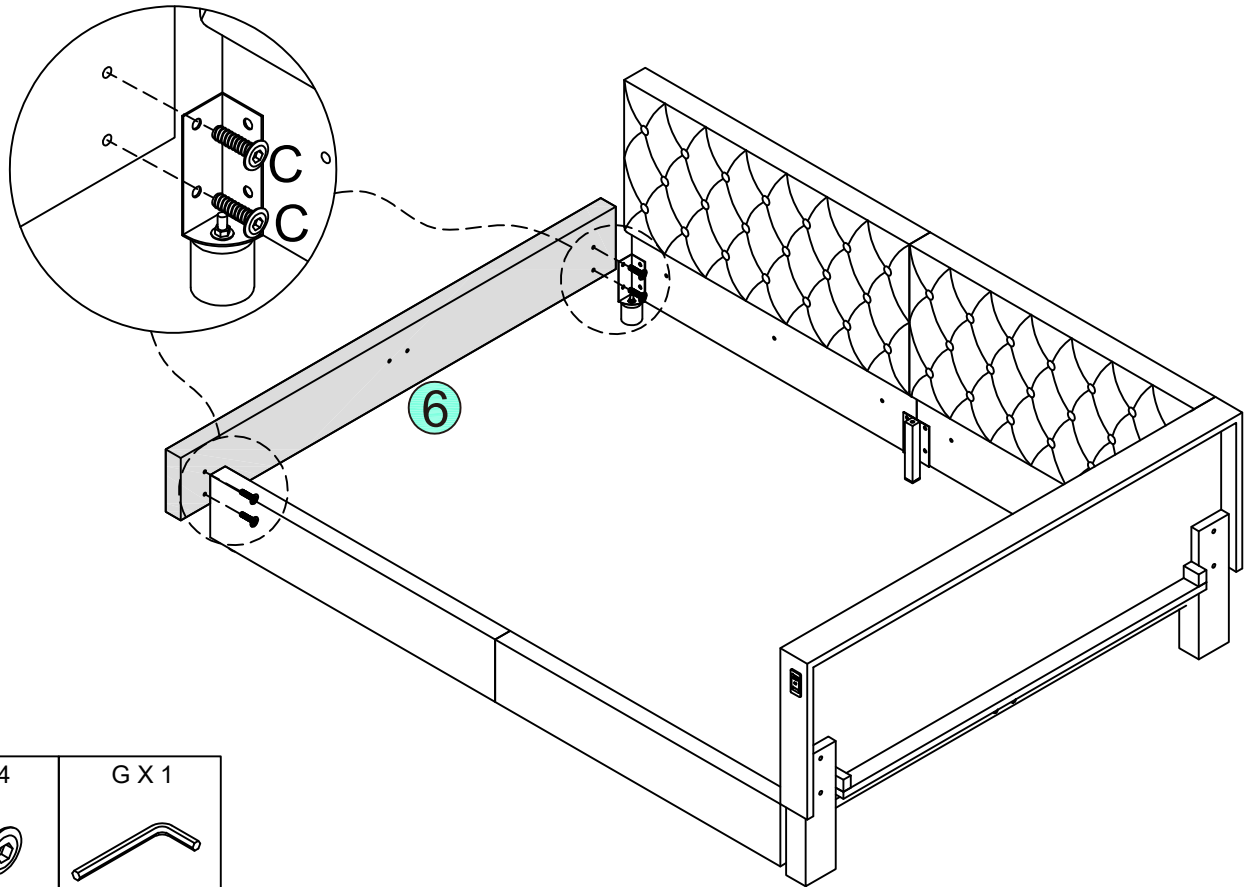
C X 2	G X 1
	
5/16X25mm	5/16



# STEP 10



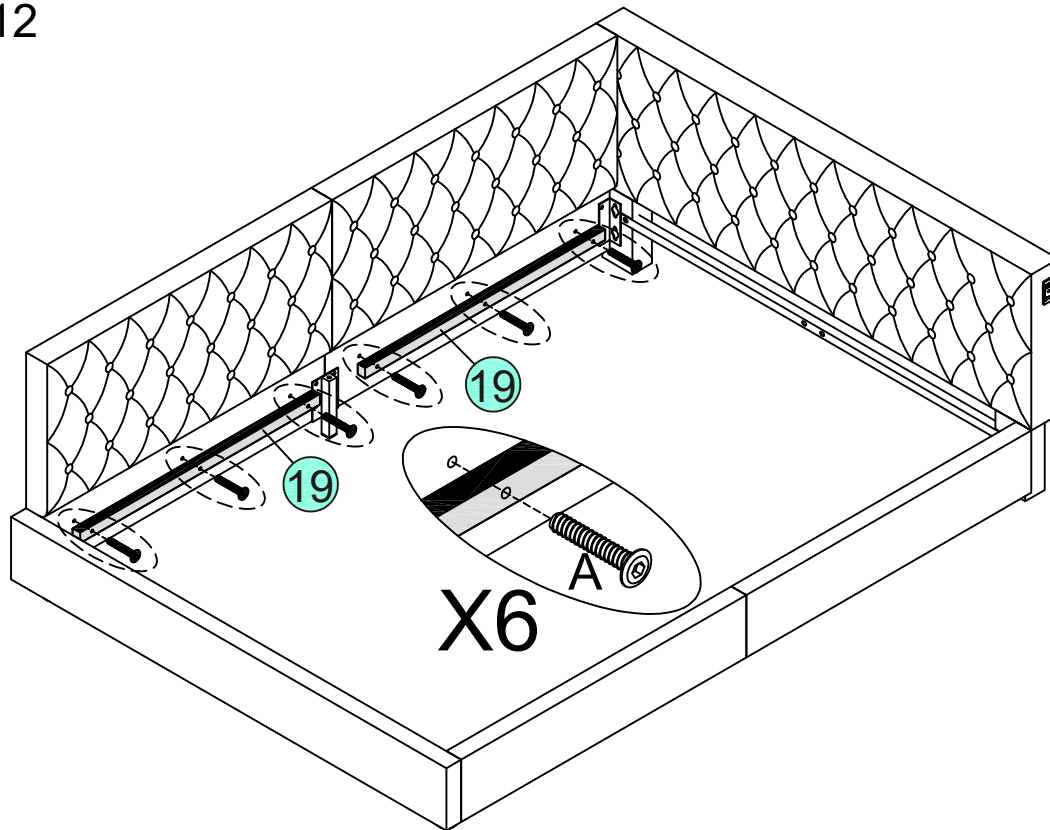
A X 6	G X 1	19 x 2
		
5/16X40mm	5/16	




# STEP 11



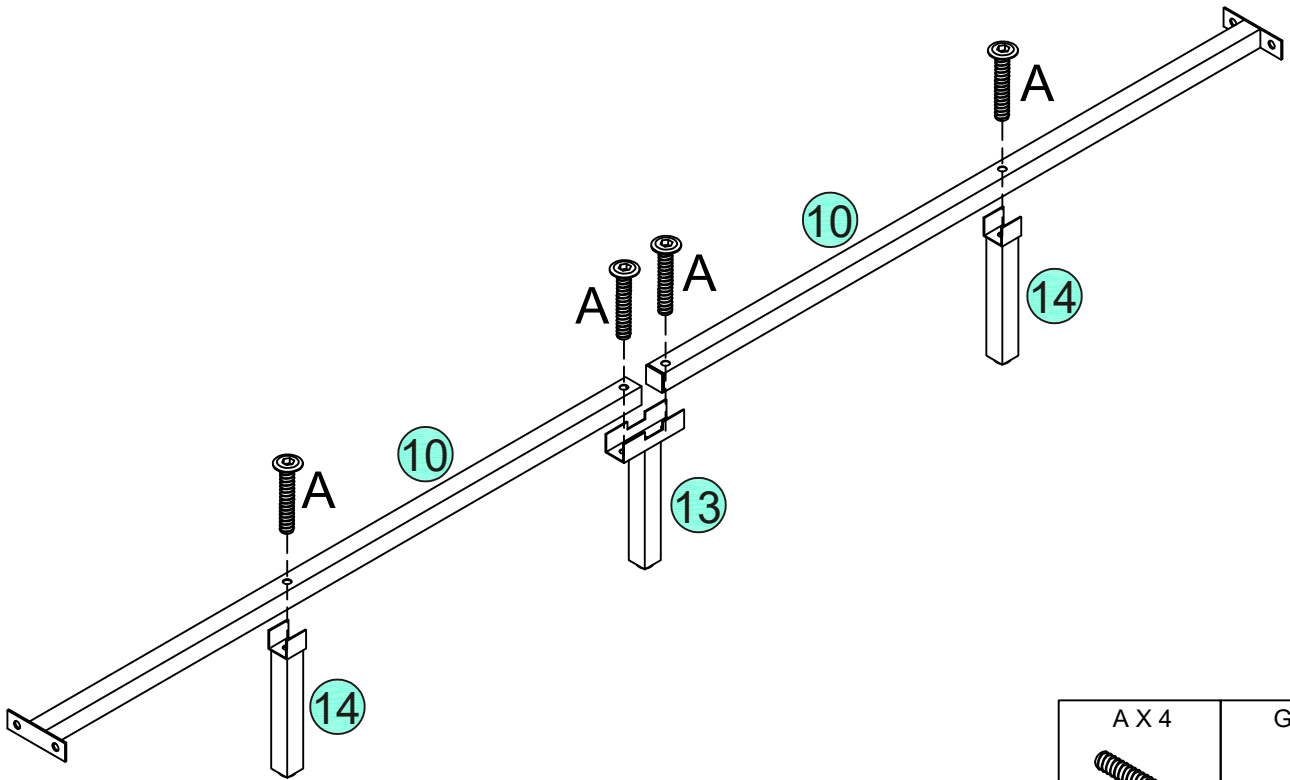
C X 4	G X 1
	
5/16X25mm	5/16



# STEP 12



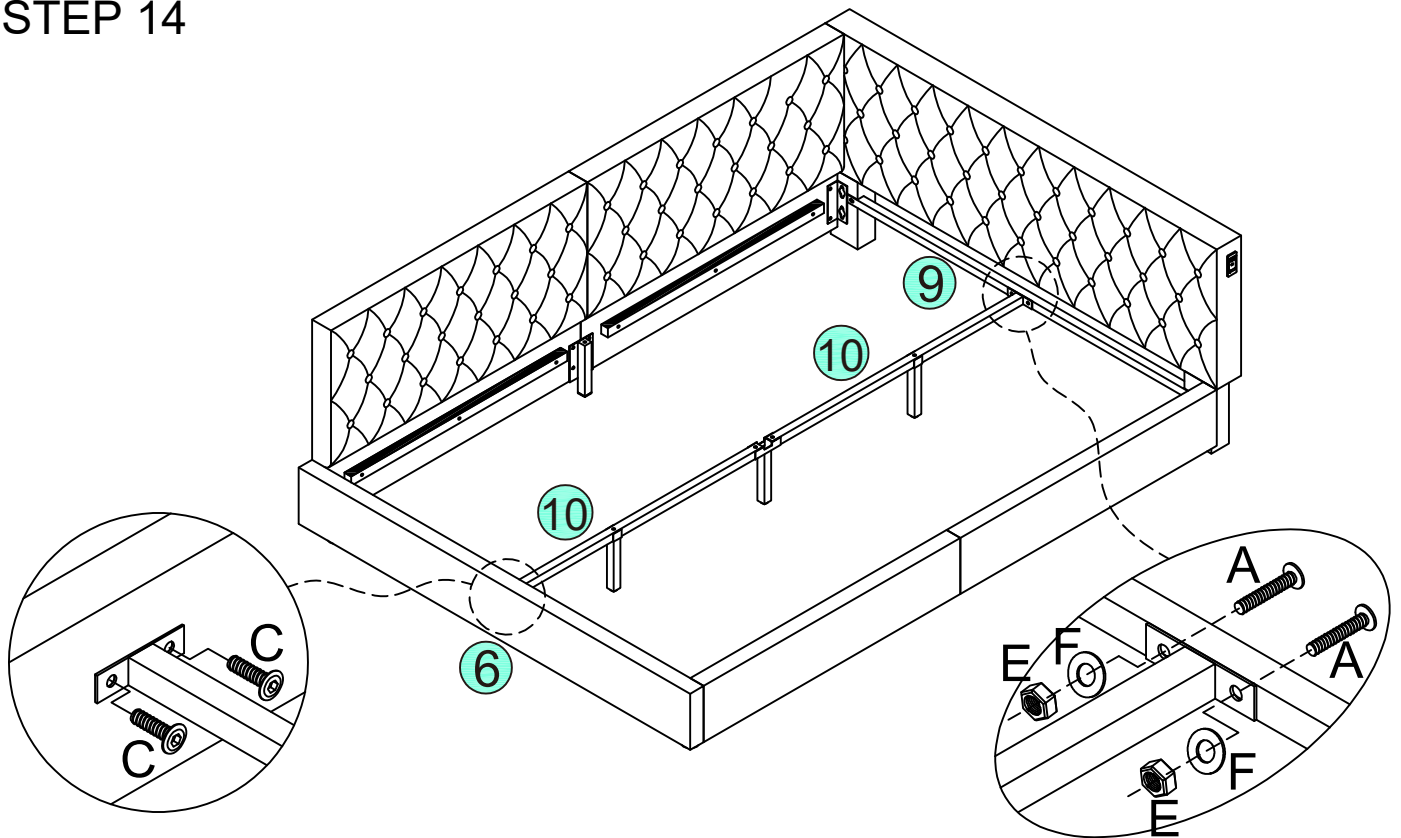
A X 6	G X 1	19 x 2
		
5/16X40mm	5/16	







# STEP 13



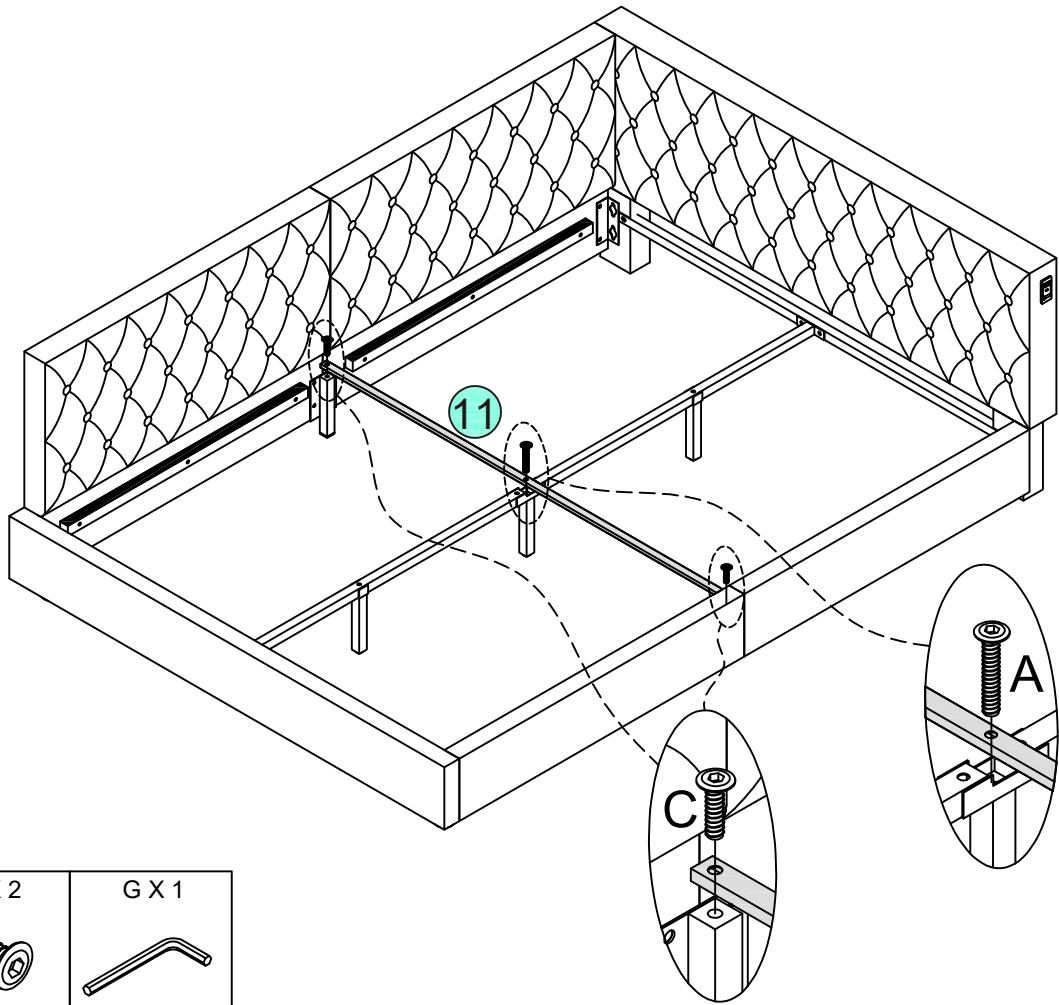
A X 4	G X 1
	
5/16X40mm	5/16




# STEP 14



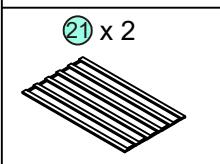
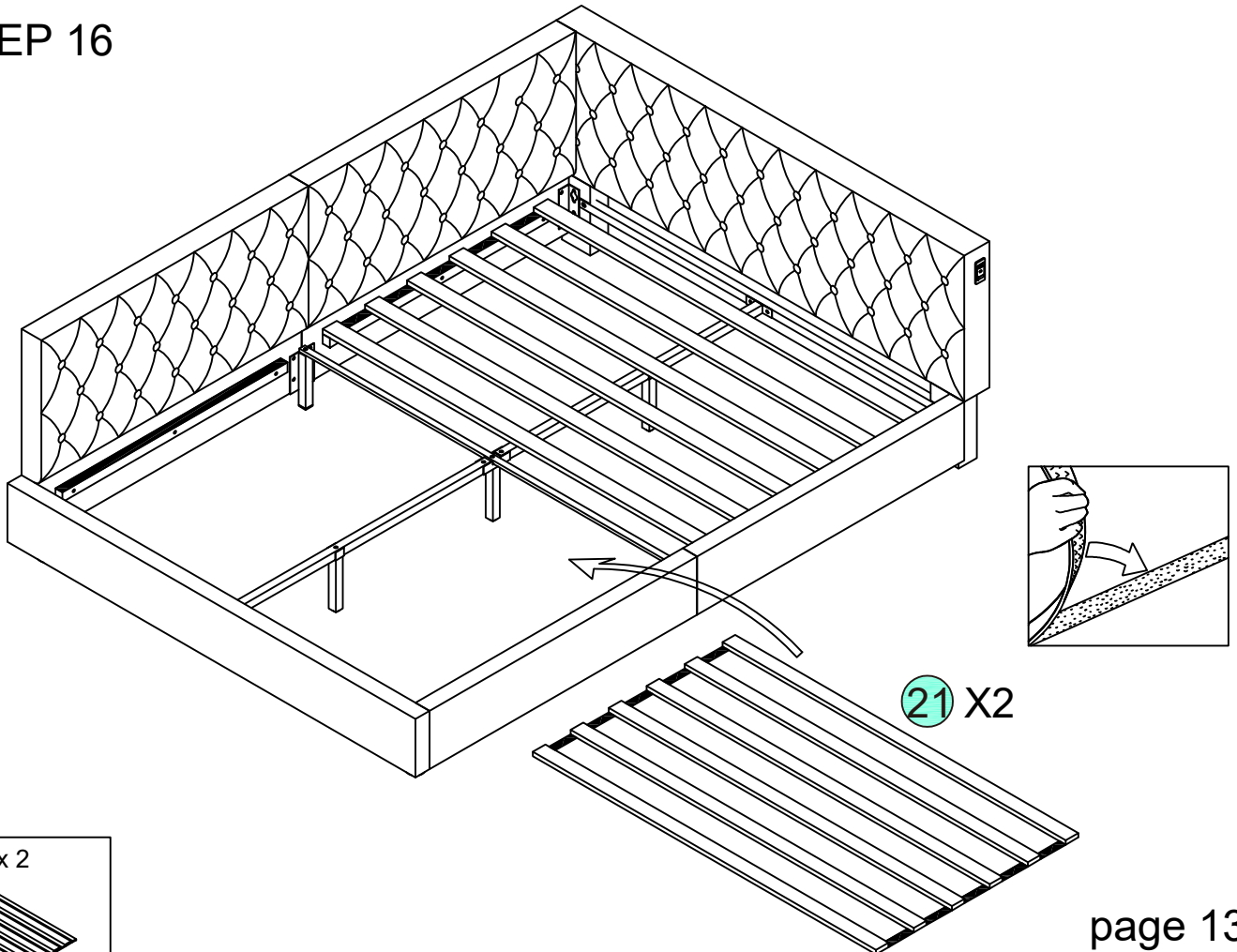
A X 2	C X 2	E X 2	F X 2	G X 1	H X 1
					
5/16X40mm	5/16X25mm	5/16	Ø19X5/16	5/16	5/16

# STEP 15

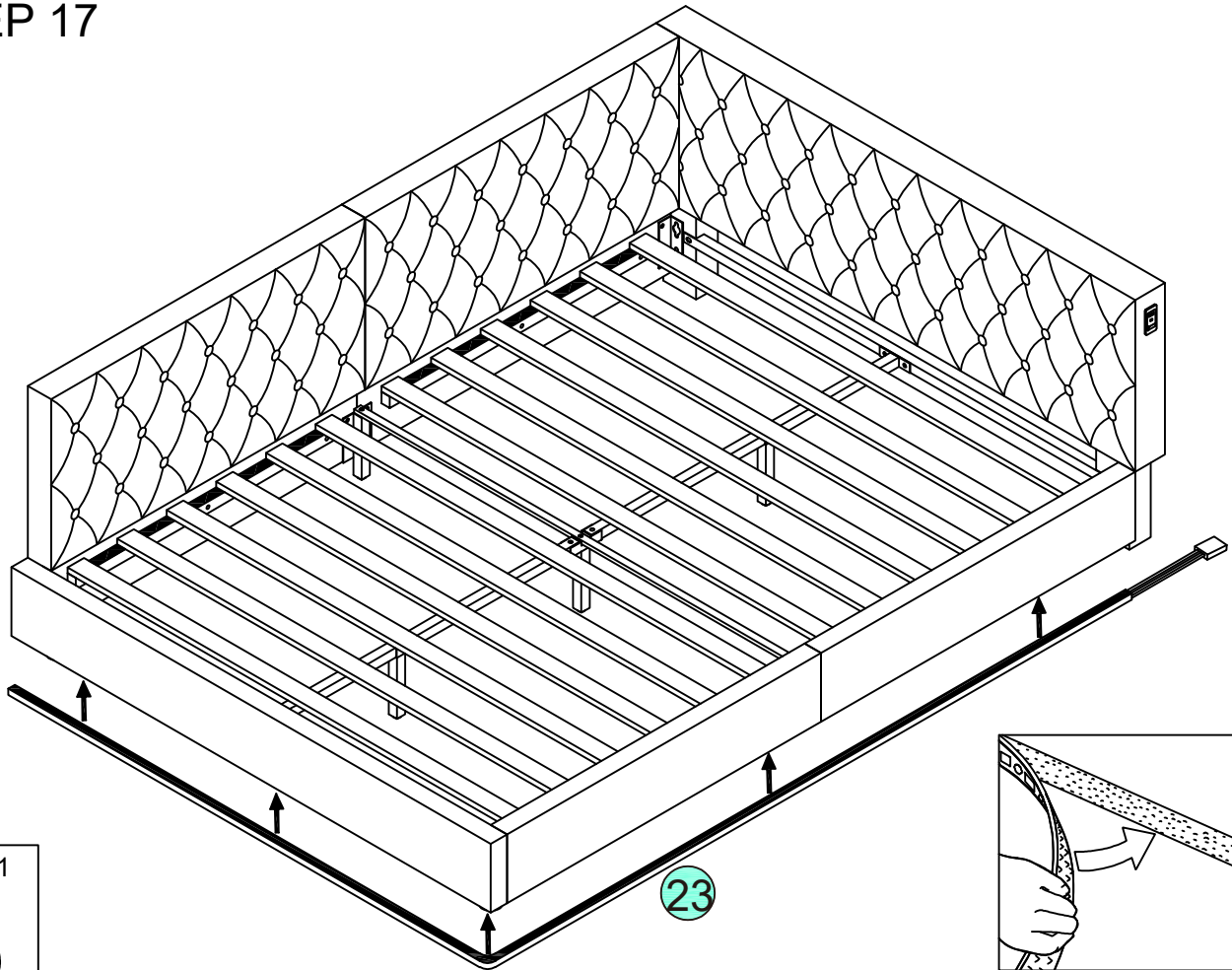


AX 1	CX 2	GX 1
		
5/16X40mm	5/16X25mm	5/16

# STEP 16



# STEP 17

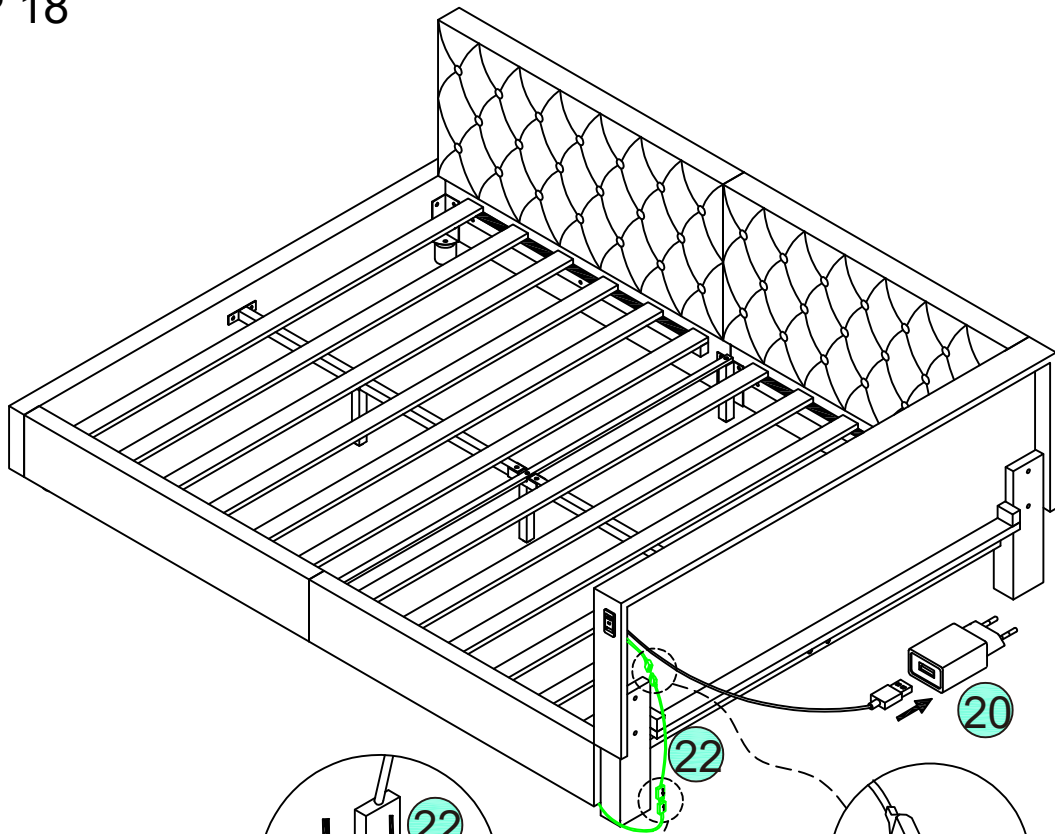


23 x 1

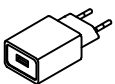


23

# STEP 18



20 x 1



22 x 1

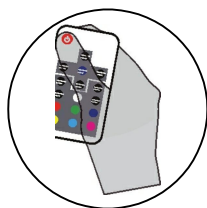
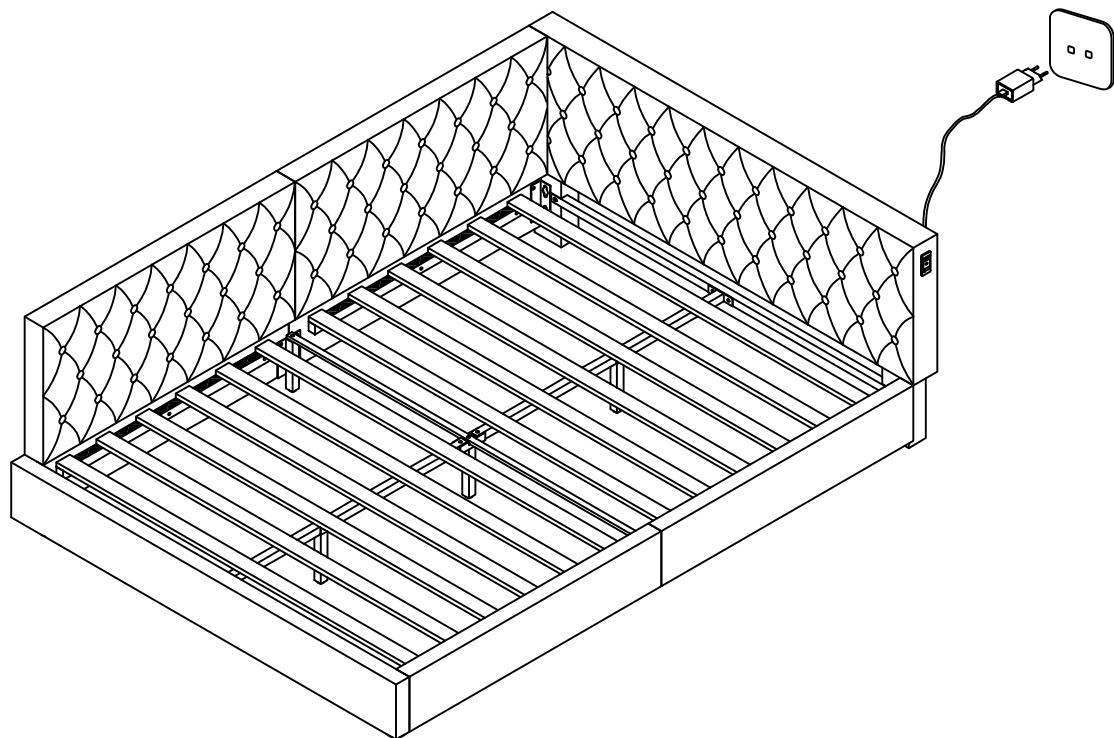


20

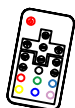
22

22

# STEP 19



24 x 1



# Finish

