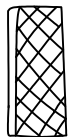


ASSEMBLY INSTRUCTION



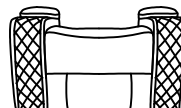
AX1



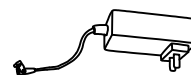
BX1



CX1

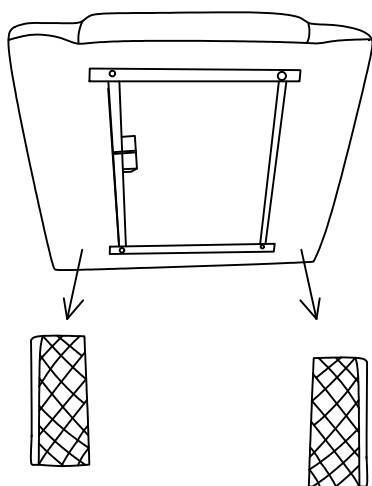


DX1

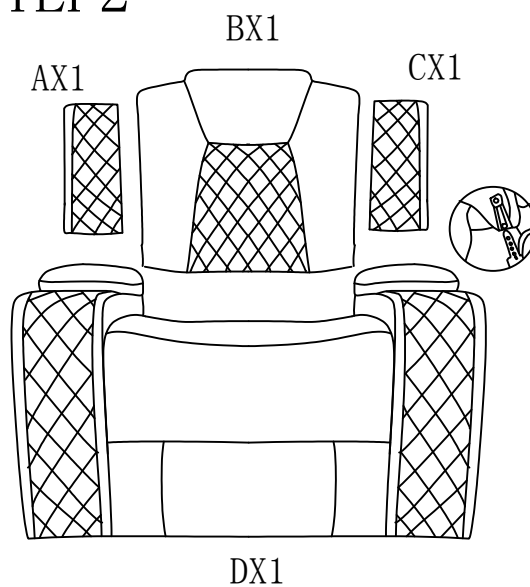


EX1

STEP1



STEP2



STEP3

