

Model Number:
CAS28927A
CAS34927A




www.ciarraappliances.com

CONTENTS

Safety	2-4
Specifications	5
Before Using the Range Hood	6
Prepare for Installation	7
Installation	8-14
Install the Hood	8-11
PLASMA Installation	12-14
Operation	15-19
Cleaning and Maintenance	20-22
Grease Filter	20
Stainless Steel Cleaning	20
Painted Finish Cleaning	20
LED Replacement	21-22
Troubleshooting	23
Environmental Protection	24

Safety

WARNING

 If the information in this manual is not followed exactly, a fire or explosion may result causing property damage, personal injury, or death.

- ◆ Before beginning installation, please read and follow these important instructions for the safety of your home and the people living in it.
- ◆ The instructions in this manual are intended for qualified installers and certified service technicians. Installation and electrical wiring must be completed by qualified professionals and in accordance with applicable codes and standards.
- ◆ DO NOT attempt to install this appliance yourself. Injury could result from installing the unit due to lack of appropriate electrical and technical background.
- ◆ The installer should leave these instructions with the consumer who should retain for local inspectors' use and for future reference.
- ◆ Due to the size and weight of this range hood, two-person installation is highly recommended.
- ◆ Use care when handling the range hood, chimney cover, baffle filters, and any parts or accessories, as sharp edges may lead to injury. Use of gloves during installation is highly recommended.
- ◆ The manufacturer will not be responsible for any damage to property or to persons caused by incorrect installation, improper use of the appliance, or failure to heed the warnings listed.
- ◆ The manufacturer reserves the right to make changes to its products when considered necessary and useful, without affecting the essential safety and operating characteristics.
- ◆ This appliance is designed for general ventilating use only. DO NOT use to exhaust hazardous or explosive materials and vapors.
- ◆ The combustion air flow needed for safe operation of fuel-burning equipment may be affected by this unit's operation. Follow heating equipment guidelines and safety standards such as those published by the National Fire Protection Association (NFPA), American Society of Heating, Refrigeration and Air Conditioning Engineers (ASHRAE), and local code and government authorities.

Safety

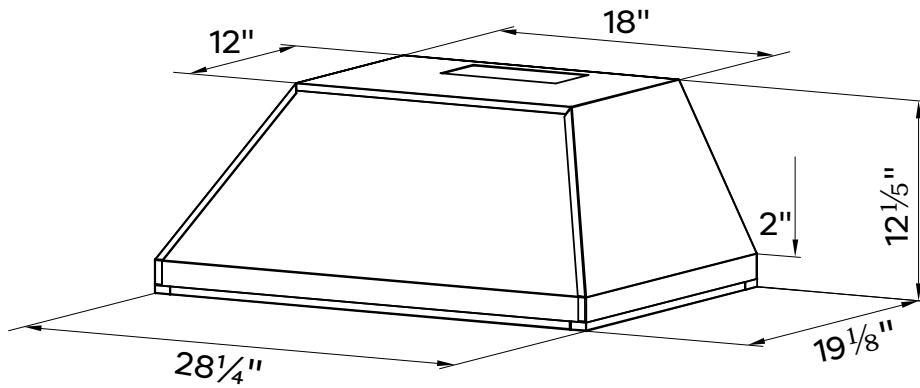
- ◆ Sufficient air is needed for proper combustion and exhausting of gases through the duct to prevent back drafting.
- ◆ Before servicing or cleaning the unit, fully disconnect the range hood from power to avoid risk of electric shock and injury.
- ◆ When cutting or drilling into a wall or ceiling, be careful not to damage electrical wiring or other hidden utilities.
- ◆ All electrical wiring must be properly installed, insulated, and grounded.
- ◆ Electrical installation must be in accordance with the National Electrical Code ANSI/NPA70-latest edition and/or local codes.
- ◆ Old duct work should be cleaned or replaced, if necessary, to avoid the possibility of a grease fire or other hazard. Check all joints on duct work to ensure proper connection; all joints should be properly taped/secured.
- ◆ When the range hood ventilates air out of the room, the vented air must be replaced; this is called makeup air. If a makeup air system is needed, but not used, a hood may not function as expected due to negative air pressure.
- ◆ Keep the motor, fans, baffle channels, filters, tunnels, oil containers, and grease- laden surfaces clean. Grease should not be allowed to accumulate inside or on the surface of the range hood; clean surfaces frequently.
- ◆ Take care when cleaning the range hood in spray form: never direct the spray onto the electrical wiring, motor, button panel, or light bulbs.
- ◆ After installation, use a stainless steel cleaning product or wipe to eliminate any residues from protective film after removal.
- ◆ When cleaning stainless steel, only use a stainless steel cleaner product with a soft sponge, or use a cloth with a warm soap and water solution. Never use abrasive powders or liquids.
- ◆ To reduce the risk of fire and to disperse air properly, make sure to vent air outside. DO NOT vent exhaust into spaces between walls, crawl spaces, ceilings, attics, or garages.
- ◆ All CIARRA range hoods are ETL-listed, ensuring all parts were tested for safety and meet industry standards and regulations.

Safety

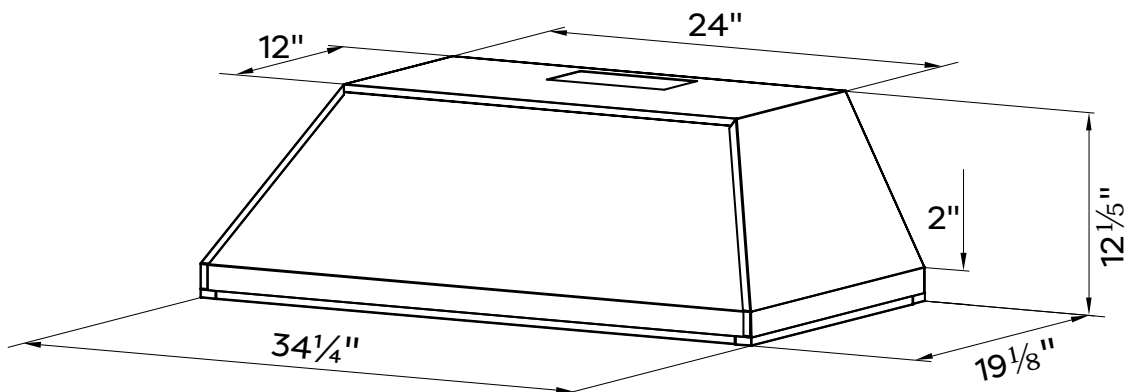
- ◆ You must purchase appropriate flexible ducting and any additional items to vent the hood in accordance with government codes.
- ◆ Please verify with local and state regulations on the proper venting method for your hood. Many agencies have CFM rating specifications for your hood.
- ◆ Always turn the range hood on when cooking at high heat or when cooking flaming foods. Use high settings on the cooking range only when necessary.
- ◆ Never leave range top surface units unattended at high settings. Boil over can cause smoking and greasy spillovers that may ignite. Heat oils slowly on low or medium settings.
- ◆ Always use appropriate cookware and utensils. Always use cookware appropriate for the size of the surface element on your range top.
- ◆ To reduce the risk of injury in the event of a range top grease fire, smother flames with a close fitting lid, cookie sheet, or metal tray, then turn off the burner. Never pick up a flaming pan – you may be severely burned.
- ◆ Keep flammable or combustible material away from flames. If flames do not go out immediately, evacuate and call the fire department. DO NOT use water, including wet dishcloths or towels – a violent steam explosion will result.
- ◆ Carefully inspect all items for damages upon delivery. Upon acceptance of items, owner assumes responsibility for its safe arrival.
- ◆ Before installing your unit, test the range hood for proper functionality by plugging it into the wall and testing the fan and lights. Do not install this range hood if it has missing or broken parts. If the unit arrives damaged, please contact CIARRA Customer Care Service.

Specifications

CAS30927A



CAS36927A



Voltage	120V~ 60Hz
Power of Motor	1 x 150W(DC)
Power of lamps	2x 1.5 W
Appliance Dimension	28 1/4" * 19 1/8" * 12 1/5"(CAS30927A) 34 1/4" * 19 1/8" * 12 1/5"(CAS36927A) (W x D x H)
Note: The manufacturer reserves the right to change any technological improvement or modification without prior notice.	

Before Using the Range Hood



CAUTION: Before proceeding to the installation, check if items are missing or damaged, contact the manufacturer.

Observe all governing codes and ordinances. Have a qualified technician install the range hood. It is the installer's responsibility to comply with installation clearances specified on the model/serial rating plate. The manufacturer declines all responsibility for improper installation and does not accept responsibility for appliance warranty in the event of damage caused by incorrect installation.

COMPONENTS:



Part 1: **Screws(A)** X 16



Part 6: **Cable Ties** X 2



Part 2: **Screws(B)** X 8



Part 7: **L brackets** X 8



Part 3: **Screws(C)** X 4



Part 8: **Air outlet assembly** X 1



Part 4: **Aluminum Exhaust Pipe** X 1



Part 9: **Range Hood Body** X 1



Part 5: **Installation Manual** X 1

YOU WILL BE NEEDING THESE TOOLS FOR INSTALLATION



1. **Protective Gloves**



4. **Double Sided Tape or Tape**



2. **Spirit Level Ruler**



5. **Cross-Head Screwdriver Set**



3. **Measuring Tape**



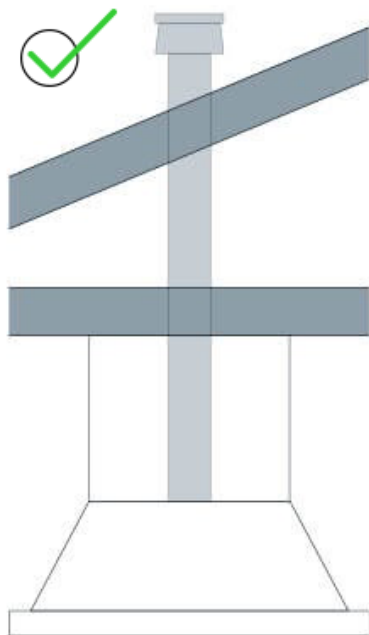
6. **Electric drill and 8mm drill**

Prepare for Installation

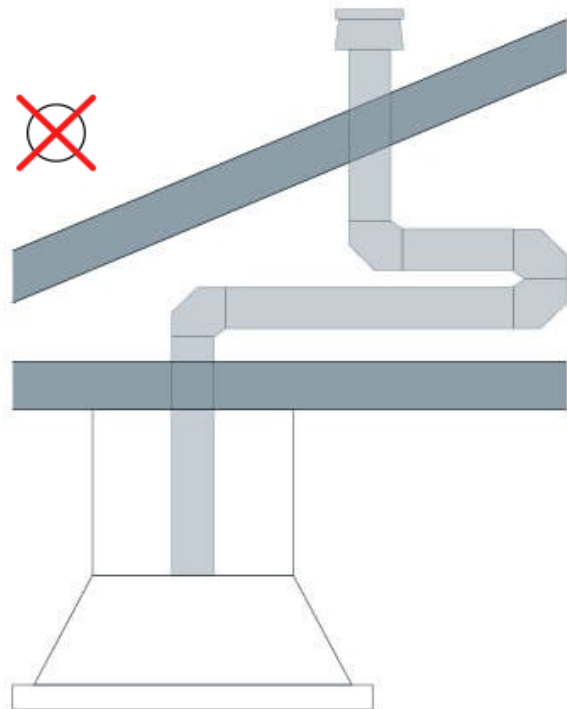
NOTES:

- Recirculation Mode: Recirculating with Plasma, the smells and odors can be filtered and vented through the top vented hole and the exhaust pipe is not required.
Extraction Mode: You can install the 78" long and 7" diameter aluminum exhaust pipe for extracting, which is included in the installation kit.
- Use a maximum of 40' of ductwork. Try to minimize the use of elbows.
- You must establish a minimum of 12" of vertical airflow from the top of the hood before executing any 90° turn. No more than 3 elbows are allowed; each 90° turn you make equates to 5' lost when accounting for the maximum 40'.
- Do not use any reducers on ducting smaller than the appropriate diameter (6" or 8").
- Any existing or additional dampers should be inspected for proper operation.
- Before installation, don't connect the power.

EXAMPLES OF PROPER AND IMPROPER DUCTING:



Direct unobstructed path

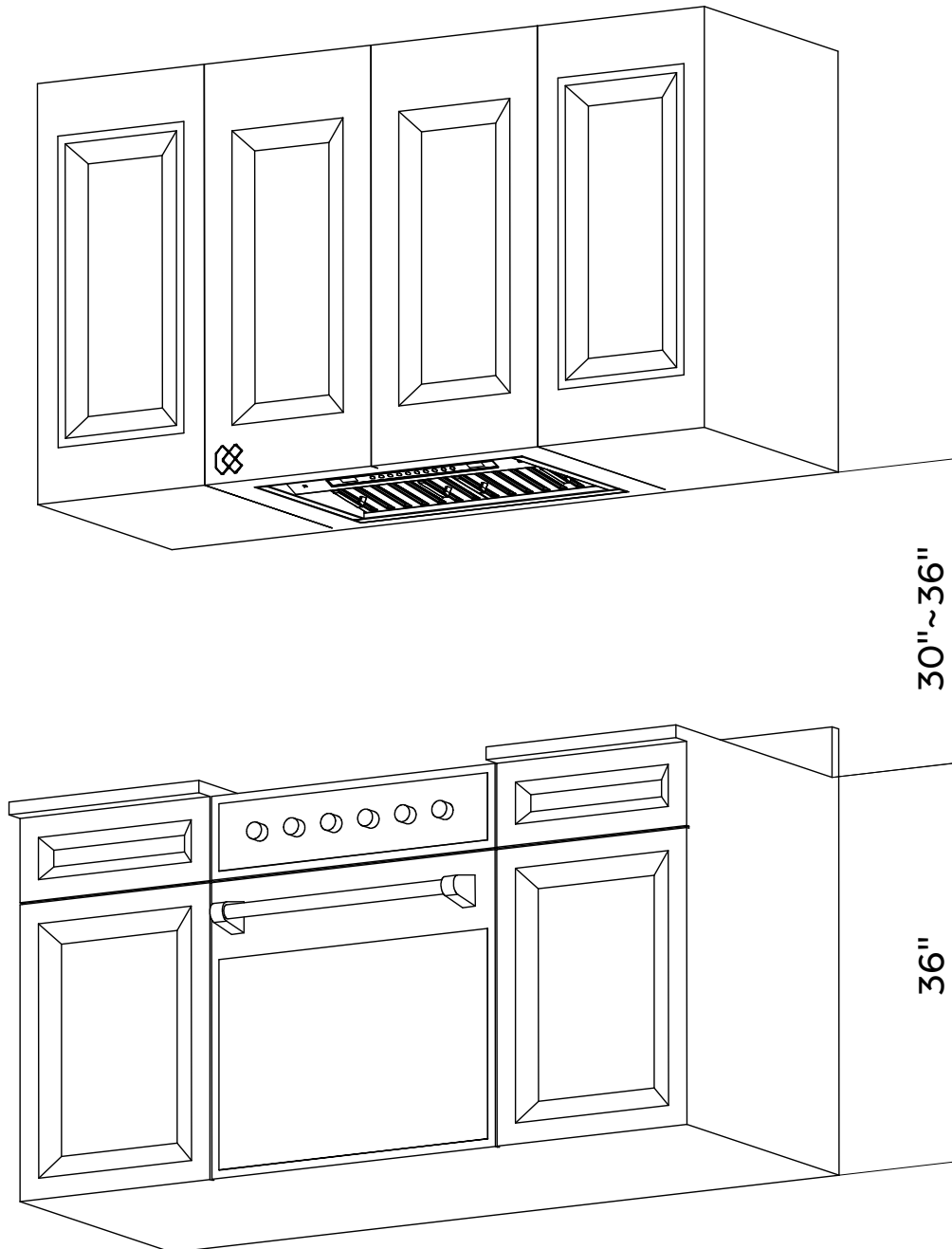


Indirect path with too many elbows

Installation



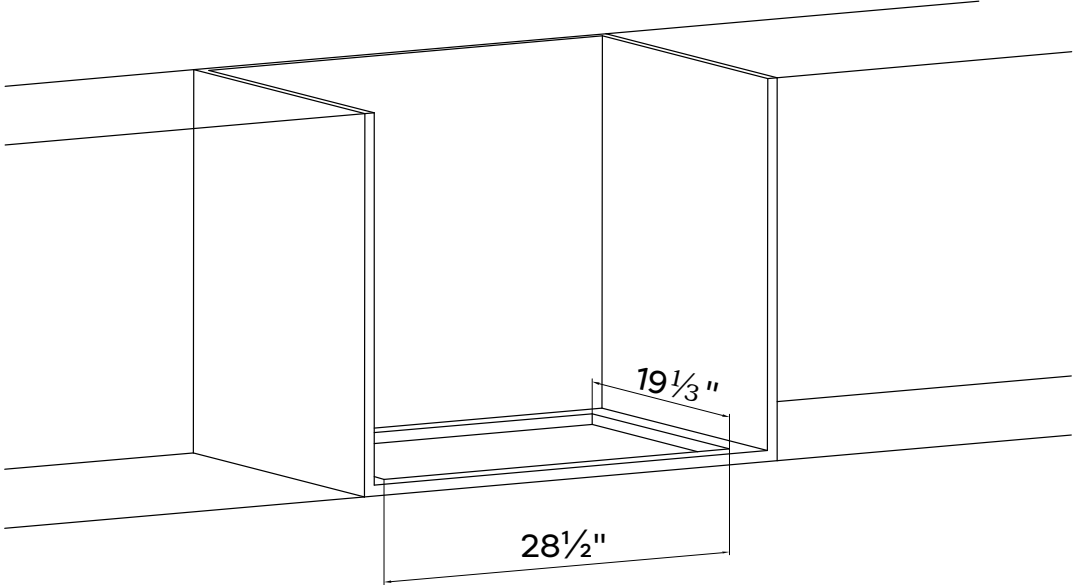
Install the Hood (Extraction) :



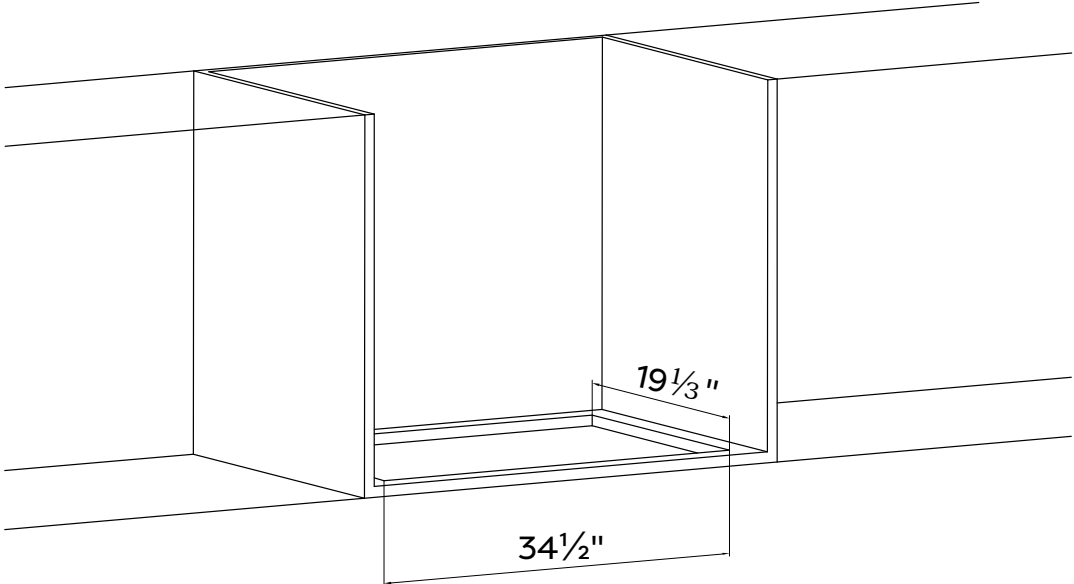
NOTE: The recommended height to install your hood is 30" minimum and 36" maximum above the range top or cook top. These distances allow for maximum venting efficiency. The height of your chimney will vary depending on model of hood, as well as the height of your kitchen ceiling.

Installation

Installation Dimension Drawing



CAS30927A



CAS36927A

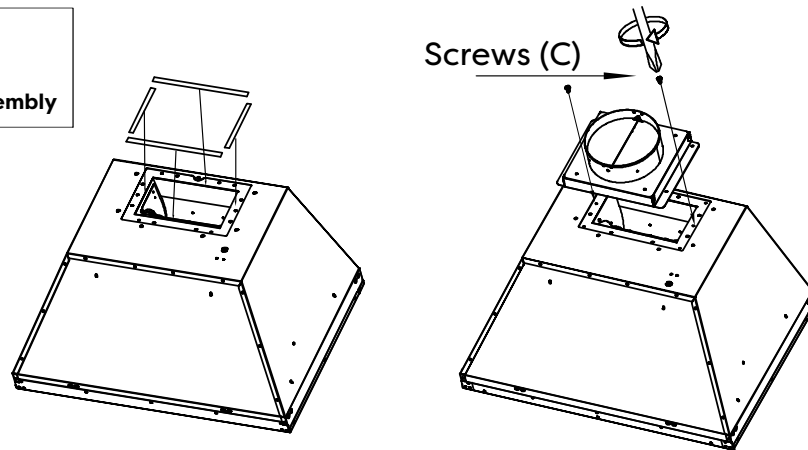
Installation

1. Attach strips of sponge to the four sides of the hood vents.
Secure the air outlet assembly to the top of the range hood in the corresponding position with the two Screws (C).

COMPONENTS:

Part 3: Screws (C) X 2

Part 8: Air outlet assembly

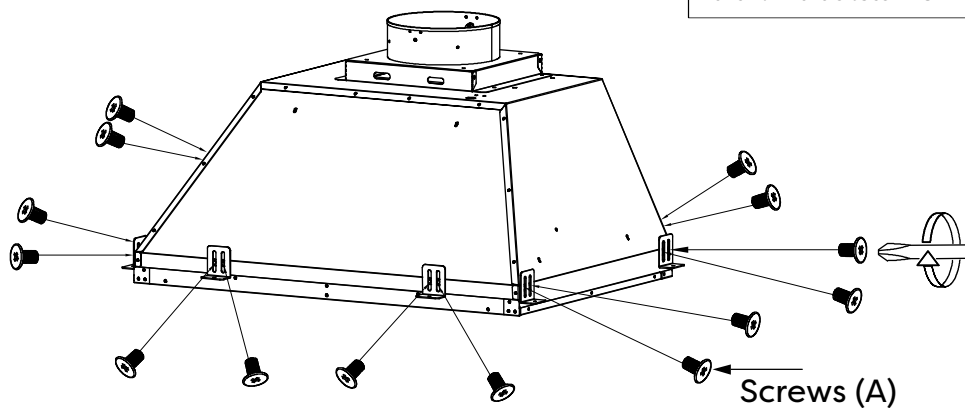


2. Using L brackets and screws provided, attach L brackets to each side of the insert.

COMPONENTS:

Part 1: Screws (A) X 16

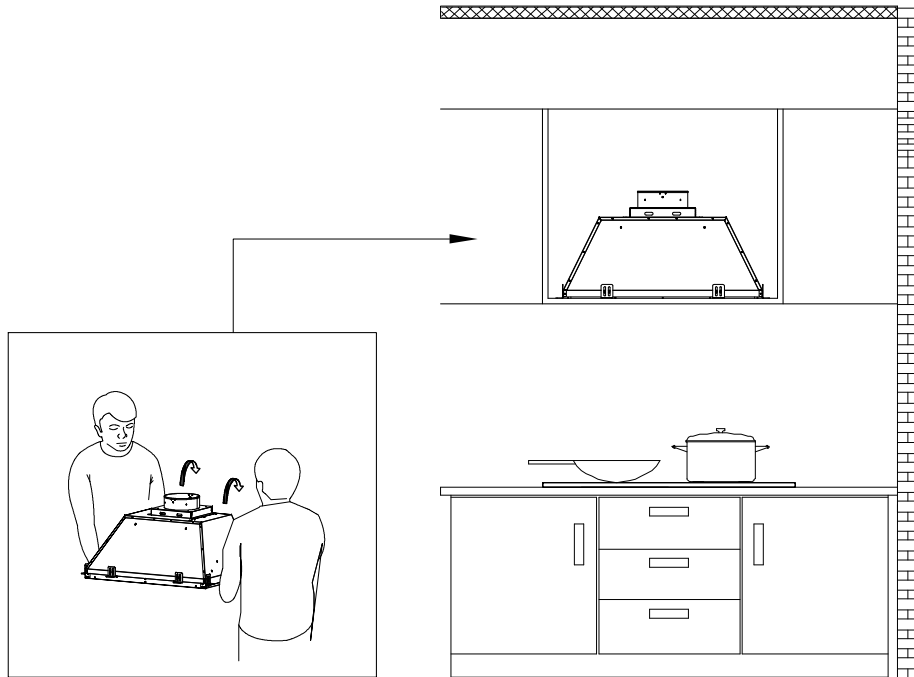
Part 7: L brackets X 8



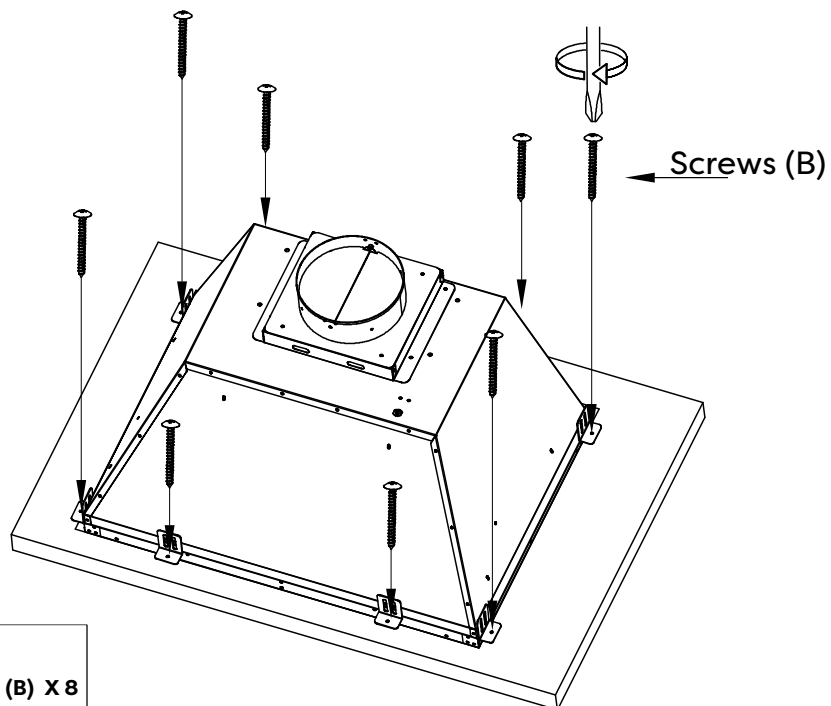
NOTE: Due to some installation differences with custom hoods the L brackets may not work. Before installing insert please determine if the insert will work for your installation needs. You may pre-drill holes into the insert unit to accommodate for custom hood installations.

Installation

3. Lift the range hood insert into cabinet or custom hood structure.



4. Secure the L brackets on the hood to the cabinet with 8 screws (B) .



Installation



PLASMA Installation (Recirculation) :

Read all safety instructions before you use the device.



WARNING: TO REDUCE THE RISK OF FIRE, ELECTRIC SHOCK OR INJURY PLEASE ADHERE TO THE FOLLOWING:



WARNING: RISK OF ELECTRIC SHOCK – These servicing instructions are for use by qualified personnel only. To reduce the risk of electric shock, do not perform any servicing other than that contained in the operating instructions unless you are qualified to do so.

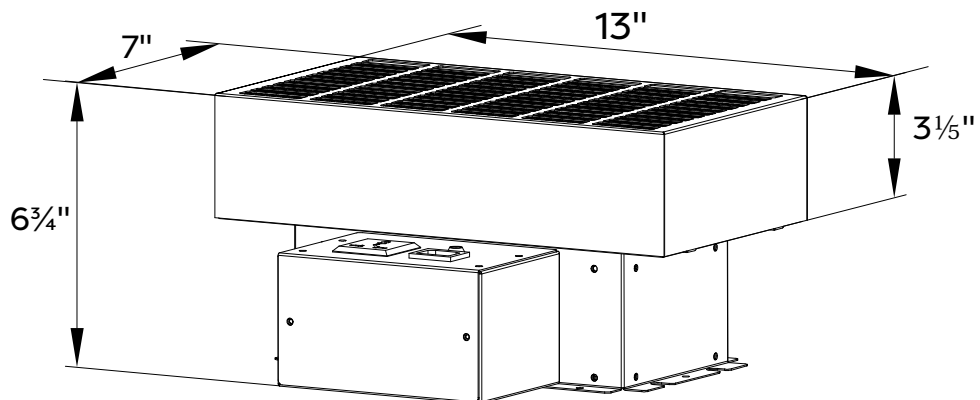
To reduce the risk of electric shock, this equipment has a grounding type plug that has a third (grounding) pin. This plug will only fit into a grounding type power outlet. If the plug does not fit into the outlet, contact qualified personnel to install the proper outlet. Do not alter the plug in any way.



DO NOT connect to power before installation before handling is complete.

To avoid risk of injury, this device should not be used by children or persons with reduced physical sensory or mental capacity.

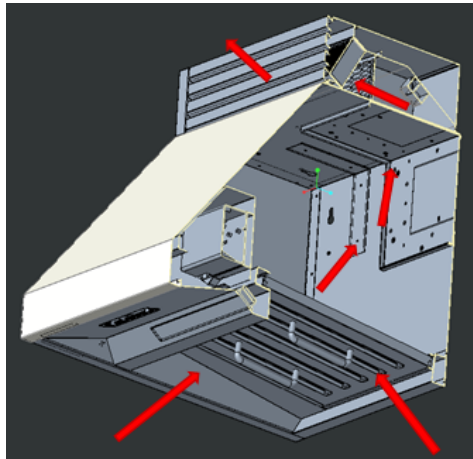
Specifications:



Installation

Outline of the function principle:

1. The purifier is installed and fixed on the top of the hood, when the hood is turned on, it will be turned on automatically through the wind pressure sensing device.
2. The grease and fumes firstly pass through the stainless steel filter of the hood to filter and separate the grease and fats in the air.
3. The Plasma System effectively disintegrates and transforms cooking odours and scent molecules into harmless substances, providing a fresher kitchen environment without the need for filter replacements.
4. The fume then passes through the zeolite molecular sieve, the air ozone, sulfur dioxide, ammonia and other odor molecules concentrated on the surface of the molecular sieve, and oxidize and separate them, and then remove the odor.

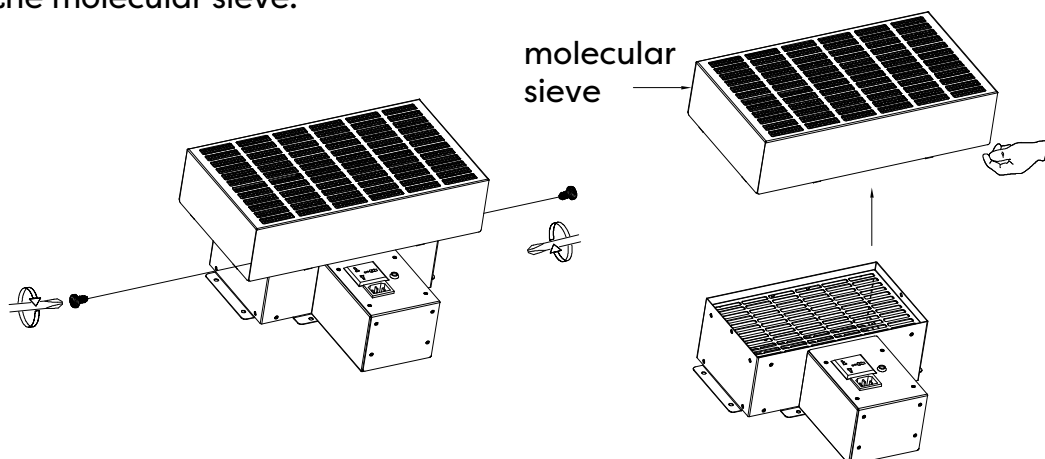


Installation:



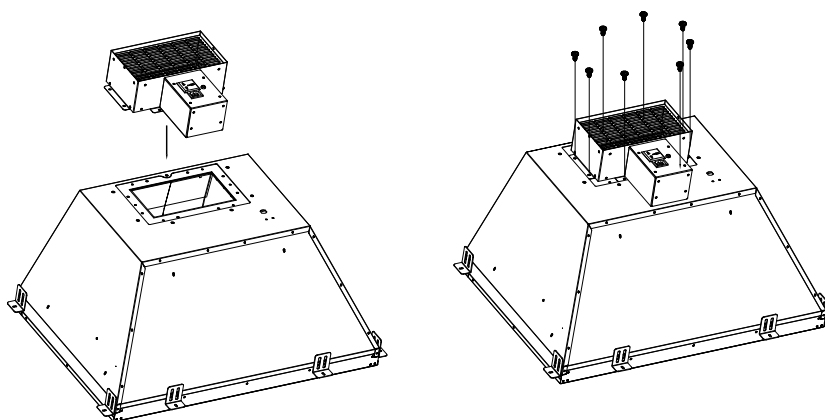
If you install plasma using Recirculation mode, you don't need to install the air outlet component, just install plasma directly.

1. Loosen the screws holding the molecular sieve on the plasma and remove the molecular sieve.

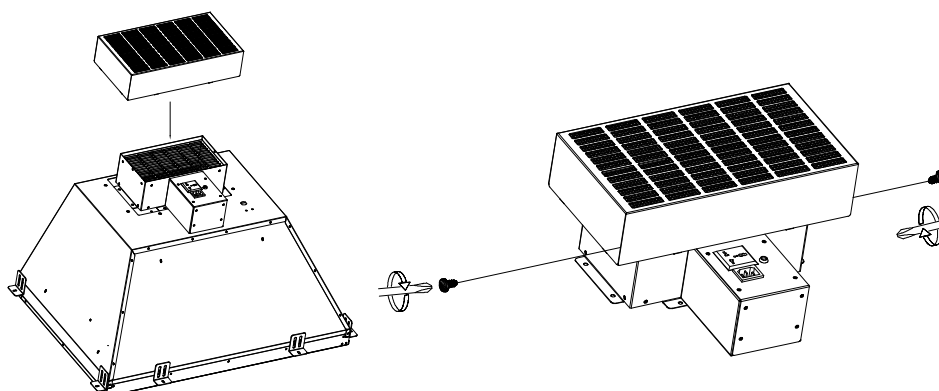


Installation

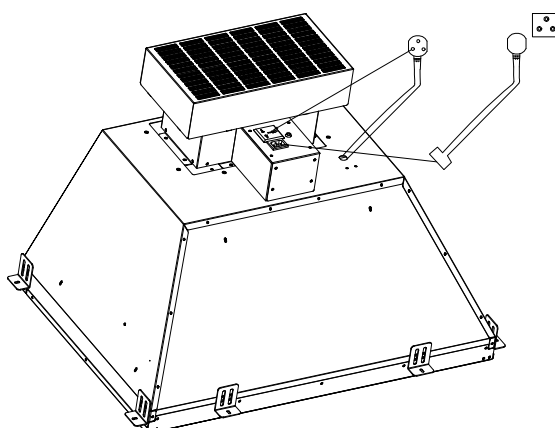
2. Place the plasma in the corresponding position on top of the hood and secured with screws.



3. Reinstall the molecular sieve onto the plasma and secure with screws.

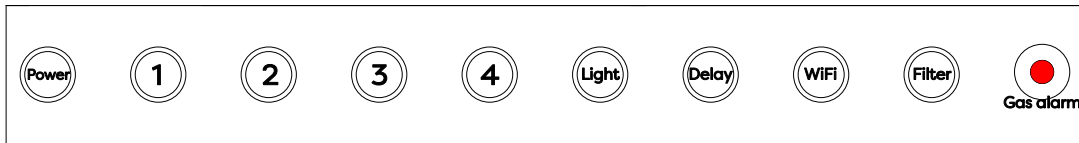


4. When hood installs plasma, the hood's power plug can be plugged into the plasma's power outlet.



When the hood is activated, the plasma's air speed sensor receives a signal to activate the plasma, and the indicator light flashes. When the hood is turned off, the plasma is also turned off synchronously and the indicator light goes out.

Touch control



Power button:

It's used to turn on/off the power. Press 2S to power on, the range hood will enter the standby mode. press 1S to power off.



Speed button:

Wind speed gear control for range hood, 1-2-3-4 respectively.

When your range hood is in standby mode; you can easily switch on 1-2-3-4 speed level by pressing the corresponding speed level you want, press the corresponding speed level button again, the cooker hood will go back to standby mode.



Light button

When the range hood is turned on:

Press once, turn on the LED light in level 1, Press for the second time, turn on the LED light in level 2, increase brightness; Press for the third time, turn off the LED light..



Delay function:

When range hood working, could set delay function.

press this key, the key indicator will blink (1 time in 1 second) to enter the 5-minute time-delayed shutdown function.

During the time-delay function, press the "Delay" key again to exit the time-delay shutdown. After the delay countdown is completed, all the key indicators will go out, and after 3 consecutive beeps, all the outputs will be turned off to enter the shutdown state.

Operation



Wifi pairing mode

Long press "WiFi" key for 3 seconds in power off state, a beep will sound and the key indicator light will flash to enter WiFi pairing mode; short press Power key or "WiFi" key to exit pairing during the pairing process, and other keys are invalid during the pairing period;

After successfully pairing your device, press the light button again for 3 seconds to disconnect the wifi connection and clear the wifi configuration, (Note: after you disconnect the Wi-Fi connection, you will not be able to control your range hood with the "Smart Life App")



Filter cleaning reminder

Motor work about 90 hours and remind cleaning filter, The key indicator flashes, touch to cancel the prompt, the indicator goes out, and the accumulated working time of the motor is cleared to zero and recalculated. If there is no short press to cancel, the key indicator still flashes after the power off.



Gas alarm

Regardless of any state, when the range hood receives the alarm signal from the gas detection sensor, the key indicator (red LED) is fully illuminated and flashing rapidly, and the buzzer alarm frequency is 1 time per second, and at the same time, the alarm will be sent to APP through Wifi; by touching this button or until the switch receives the normal signal from the sensor, the alarm will be canceled, and the key indicator will go off; this function is on by default after power on, in the power off state, the key will be long pressed for 5 seconds, and the beep will beep 1 time prompting to shut down the gas alarm function (the key indicator will turn from faintly illuminated to off), and then the key will be long pressed for another 5 seconds, and the beep will beep 2 times prompting to turn on the gas alarm function.

Operation

Smart Life APP

Download and Intallation of Smart Life APP

1. You must use Android phone or iPhone to download and use this APP.
2. Search “Smart Life” in the Google Play store for Android or IOS App Store to download and install the APP.



Video Guide



Range Hood and Smart Life APP pairing

1. When you log in to Smart Life APP for the first time, you need to create a new account. When creating a new account, follow the app prompts to register.
2. If you already have an account, you can use existing account to log in.
3. After logging in, follow the steps below to connect the range hood (the operating procedures of Android and IOS systems are the same).

About operation interface:



ON/Off Button



Light Button

Light

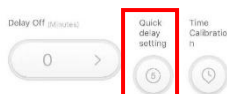
Press once, turn on the LED light in level 1, orange out ring light will be on; Press for the second time, turn on the LED light in level 2, increase brightness; Press for the third time, turn off the LED light and the orange out ring light.

Fan Speed



Fan Speed Button

You can control the corresponding gears of 1-2-3-P on the range hood.

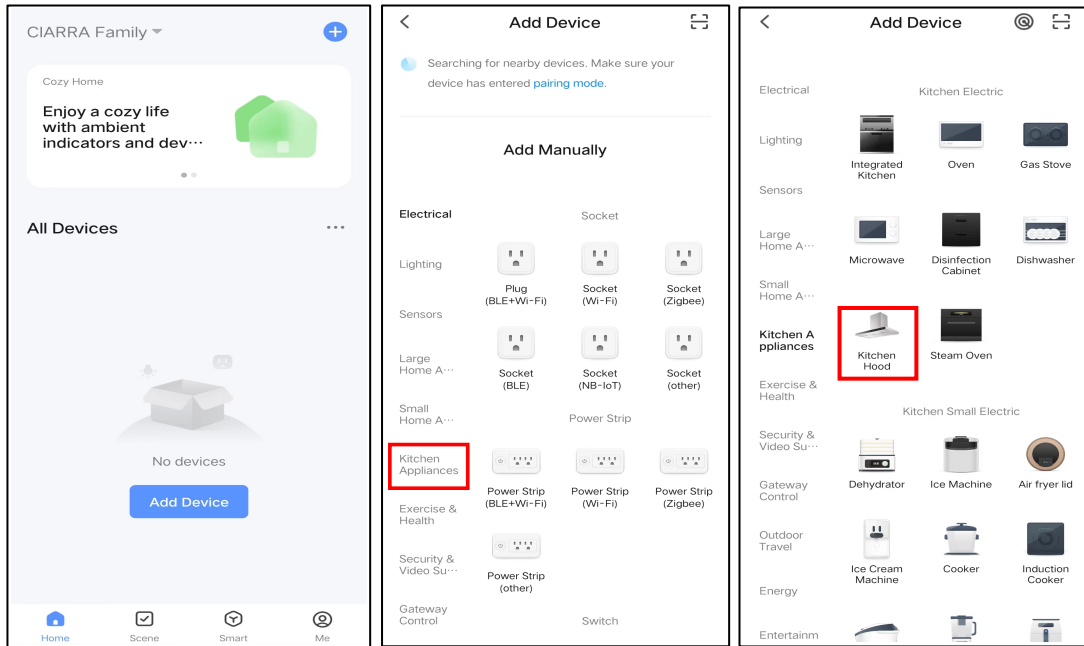


Quick Delay Setting

When range hood is working, you can set the delay timer through delay function.

Push this button, the range hood will stop working in 5 minutes.

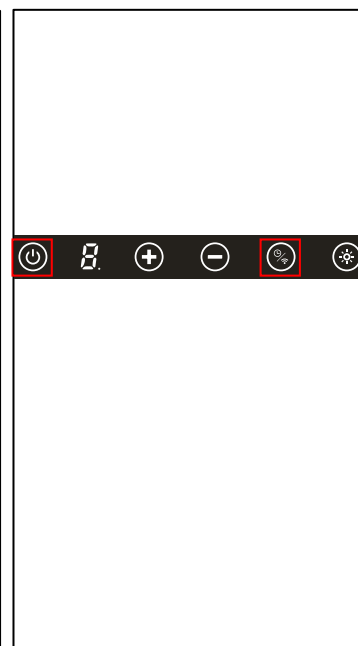
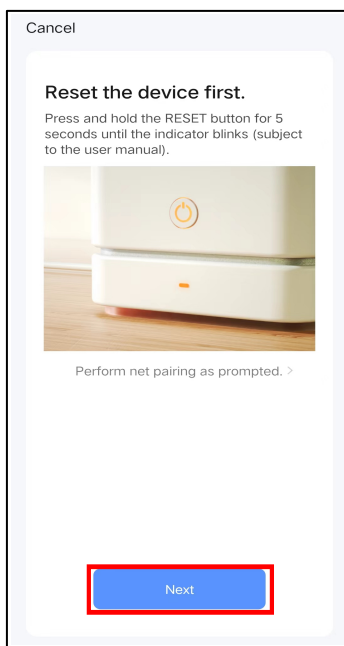
Operation



1. Open the smart life app, Click Add Device.

2. Choose kitchen appliances from the menu bar on the left.

3. Choose kitchen hood.

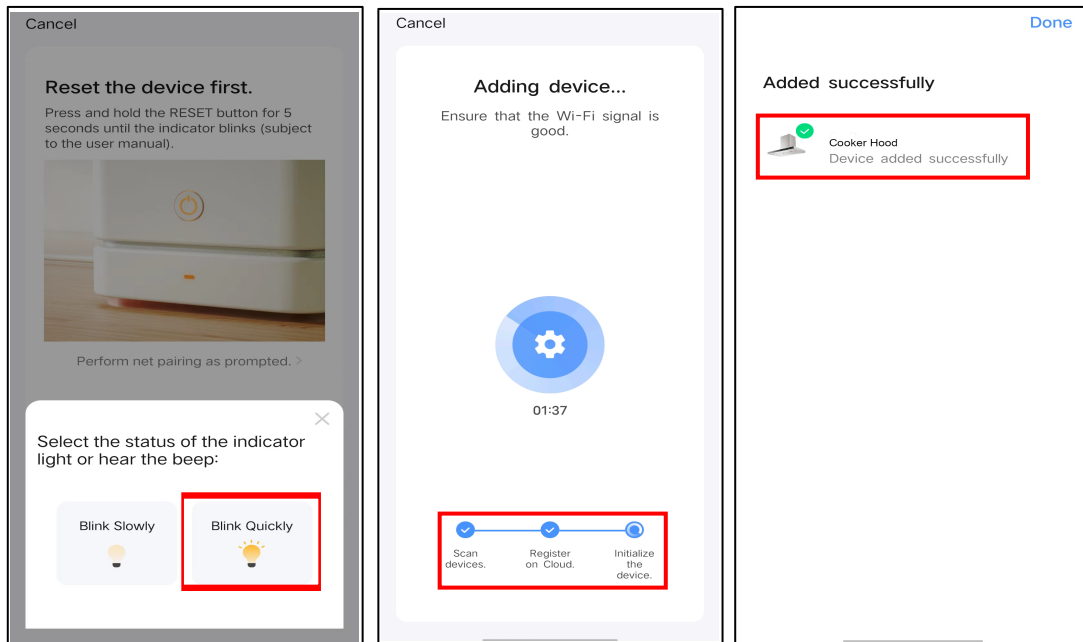


4. Connect your home Wi-Fi and enter the password, then click Confirm.

5. Click "Next" to go to the next step.

6. Press 2S to power on, and press the “Delay function+WIFI” button for 5 seconds, you will hear the beeping sound, and all orange out ring lights will be flashing, enter Wi-Fi pairing mode.

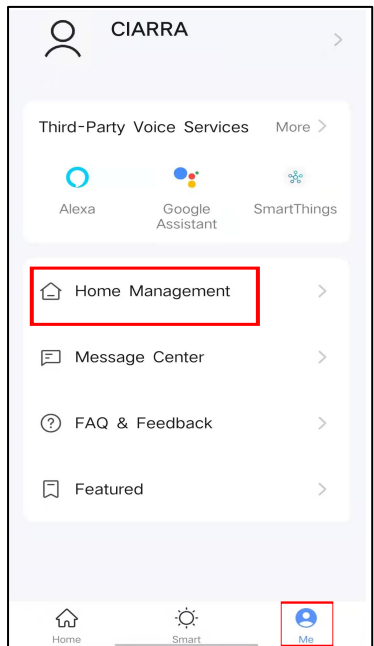
Operation



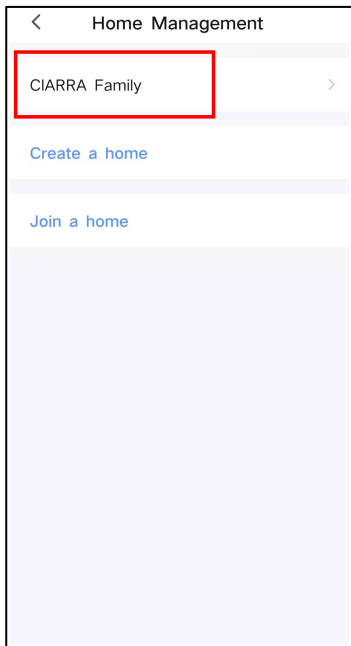
7. Click “Blink Quickly” and click “Next”.

8. Adding device...

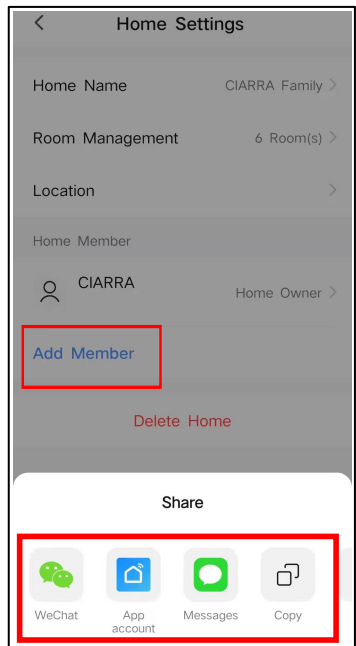
9. When you see this interface it means you have successfully connected your device.



10. Click "Me" and select "Home Management".



11. You can create a home or join a home in this area. Click "my family management".



12. Select "Add members" and share to members, after members are successfully join the same family, they can remotely control "Range Hood".

Cleaning and Maintenance

Proper maintenance of the Range Hood will assure proper performance of the unit. Before cleaning unit, unplug or disconnect the range hood from the power supply.

GREASE FILTERS

The grease filters should be cleaned frequently. Can be cleaned in dishwasher under high temperature without using any detergent. There is a fire risk if cleaning is not carried out in accordance with the instructions.

STAINLESS STEEL CLEANING

Do:

- Regularly clean it with a cloth or rag soaked with warm water and mild soap or liquid dish detergent.
- You may also use a specialized household stainless steel cleaner.

Don't:

- Use any steel or stainless-steel wool or any other scrapers to remove stubborn dirt.
- Use any harsh or abrasive cleansers.
- Let plaster dust or any other construction residues reach the hood. During construction/ renovation, cover the range hood to make sure no dust sticks to the stainless-steel surface.

Avoid when choosing a detergent:

- Any cleaners that contain **bleach** will attack stainless steel.
- Any products containing: **chloride, fluoride, iodide, bromide** will deteriorate surfaces rapidly.
- Any combustible products used for cleaning such as **acetone, alcohol, ether, benzol**, etc., are highly explosive and should never be used close to a range.

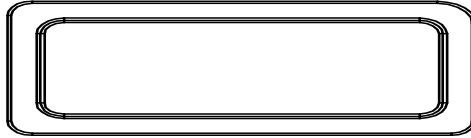
PAINTED FINISH CLEANING:

Clean with warm water and mild detergent only. If discoloration occurs, use a finish polish such as automotive polish. (DO NOT use a rough abrasive cleaner or porcelain cleaner.)

Cleaning and Maintenance

LED REPLACEMENT

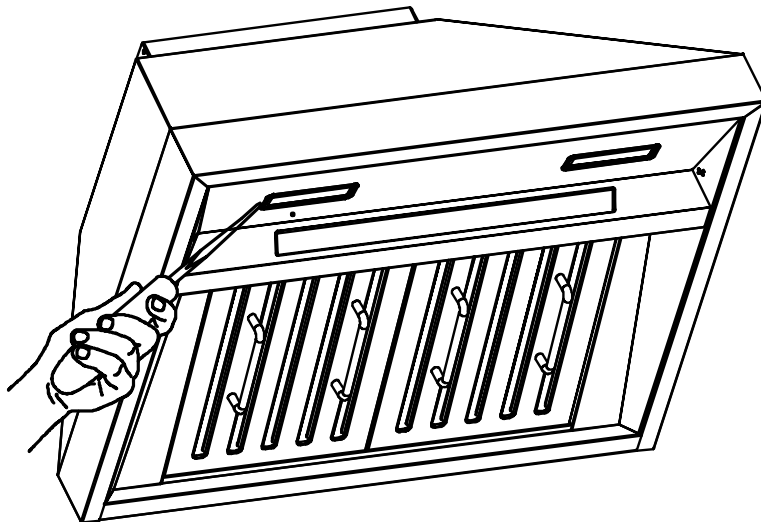
- Rectangle LED lamp:



CAUTION:

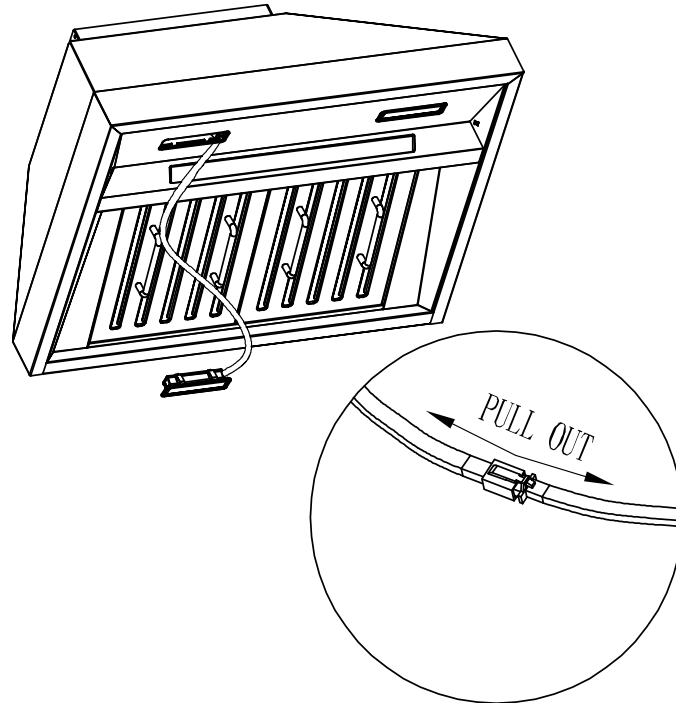
Before cleaning or repairing and replacing accessories, please make sure to shut down the power before operation, so as to avoid electric shock, damage to human body and even endanger life safety!

1. Push the LED lamp holder out from the cabinet by hand, or use screwdriver to prize up the LED lamp around the edges, pull out slotted the LED lamp and the wire together.

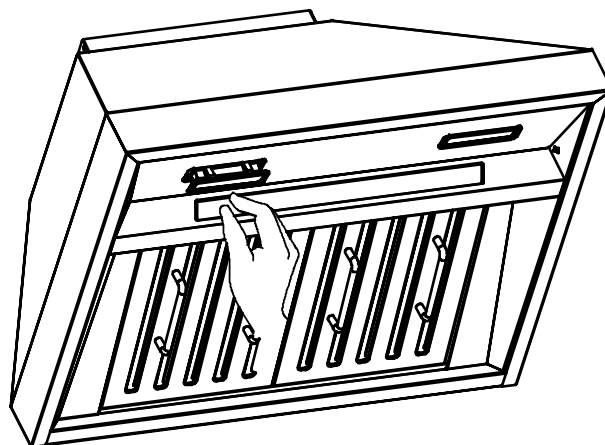


Cleaning and Maintenance

2. Open the power protection cover, pull out the plug and replace the corresponding model of the LED lamp.



3. Turn the power on and test all blower and light functions to ensure they are operating properly.
Insert the new LED light gently into the light socket, please make sure you aim at the grooves on the lighting panel when installing. Push the LED light in until it is flushed with the light panel.



Troubleshooting

Problem	Possible Cause	Solution
Extractor hood does not turn on	No electrical supply	Make sure that range hood is plugged into powered outlet. Test outlet with other device if not working
My range hood has poor performance	Inadequate ventilation	Ensure that the kitchen is sufficiently ventilated to allow entry of fresh air
	The range hood and cooktop are too far away from each other	Optimal distance is 30"~36" above the cooktop for best extraction
	Check and make sure the tape holding down the damper flaps at the vent hole are removed before use	Remove the tape holding down the damper
	Grease filters clogged with grease build-up	Clean the grease filters or replace the grease filters
	Carbon filters clogged with grease build-up	Replace new carbon filters
	Motor is running but no extraction	Please contact CIARRA Customer Care Service
My range hood is noisy	Check inside the range hood for any loose debris and remove	Please contact CIARRA Customer Care Service
	If the noise is from the motor, please contact our Customer Care Service	
Lights are not working	Light is damaged	Replace with new LED lamp; remove grease filters, reach inside behind the control panel and locate the wire with clip behind the light housing.
	The light wire terminal is loose	Reset the connection

If problem persists after the above checks, please contact CIARRA Customer Care Centre for assistance.

Environmental Protection

Waste electrical products should not be disposed of with household waste. Please recycle where facilities exist. Check with your Local Authority or retailer for recycling advice.



By ensuring this product is disposed of correctly, you will help prevent potential negative consequences for the environment and human health, which could otherwise be caused by inappropriate waste handling of this product.

The symbol on the product indicates that this product may not be treated as household waste. Instead it shall be handed over to the applicable collection point for the recycling of electrical and electronic equipment.

Disposal must be carried out in accordance with local environmental regulations for waste disposal.

For more detailed information about treatment, recovery and recycling of this product, please contact your local city office, your household waste disposal service or the shop where you purchased the product.

