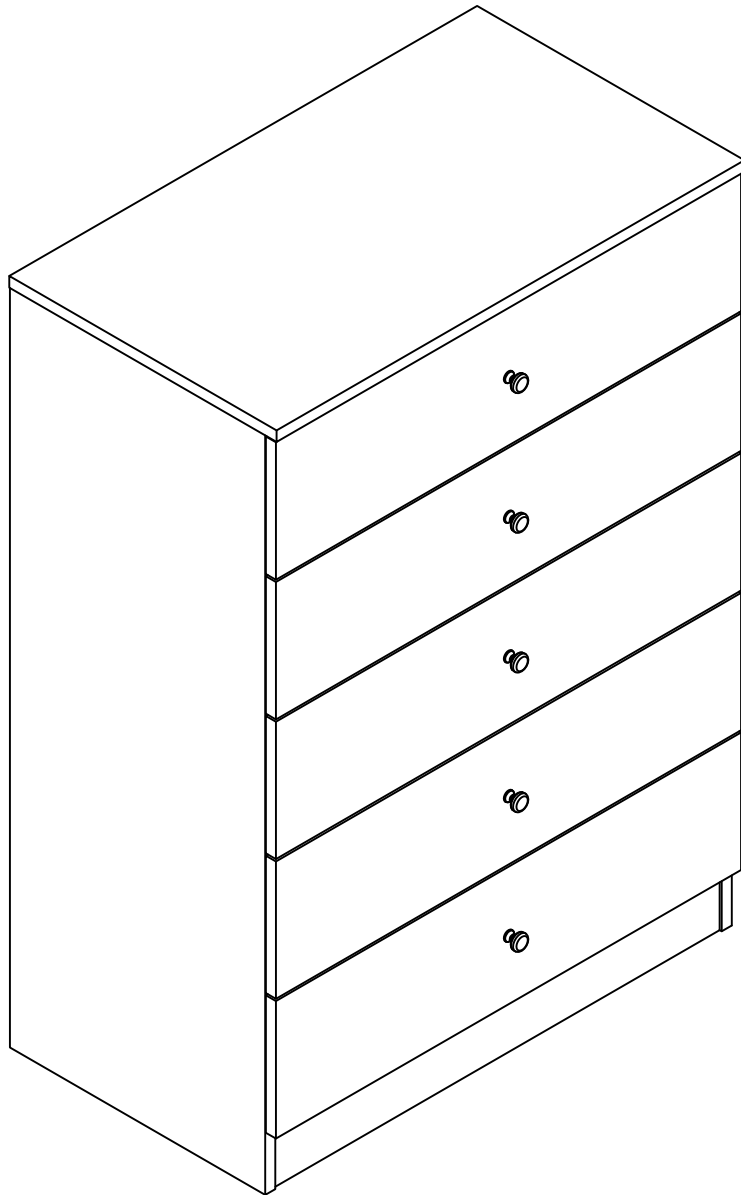
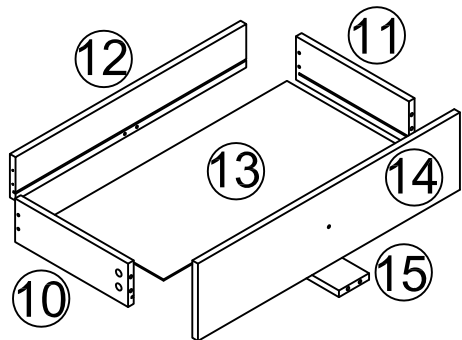
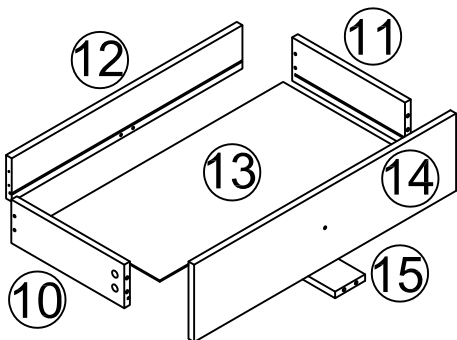
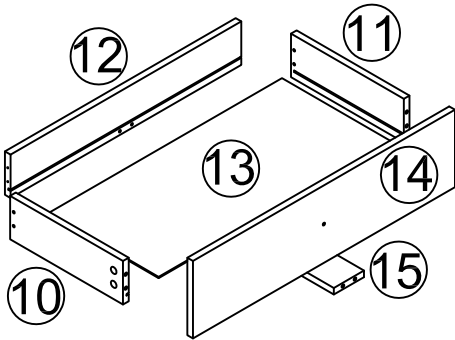
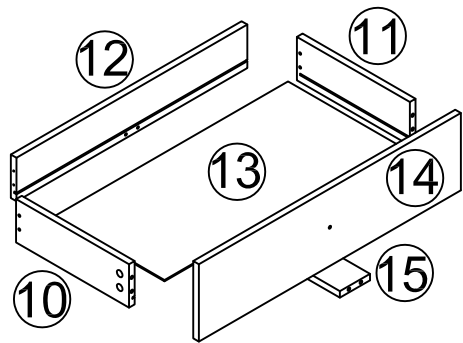
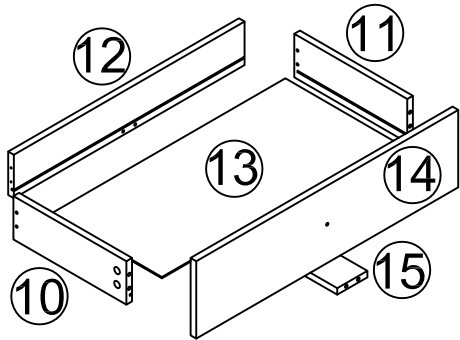
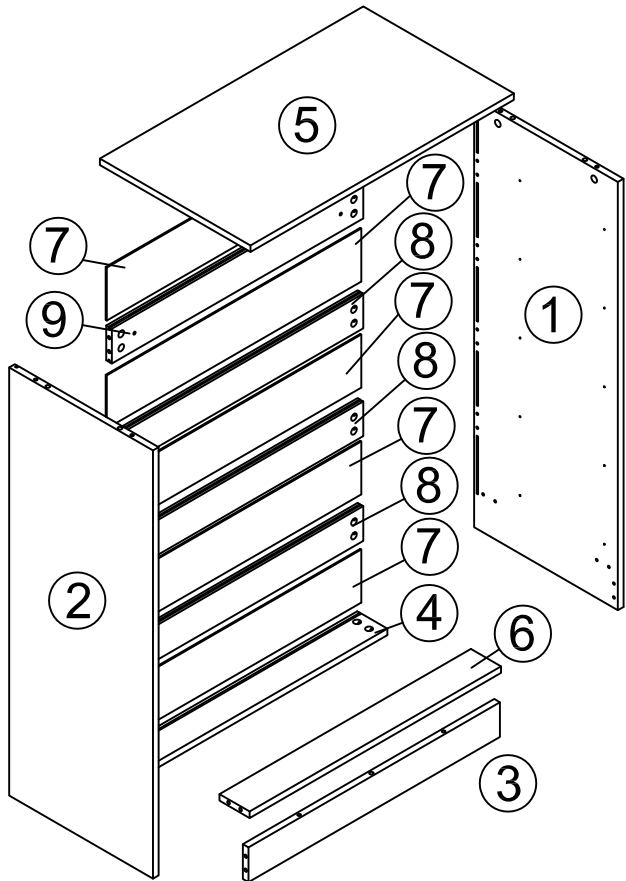


1

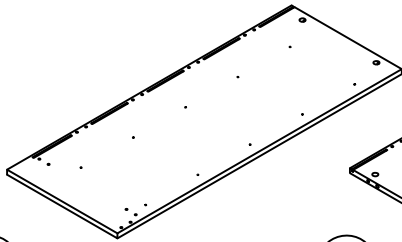
# ASSEMBLY INSTRUCTIONS



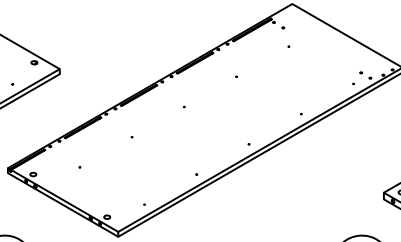
# BOARD IDENTIFICATION



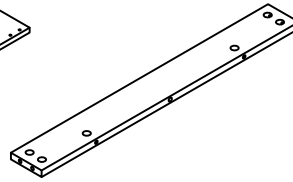
# BOARD IDENTIFICATION



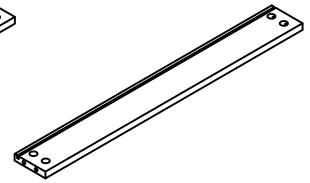
1  
RIGHT SIDE PANEL  
X1



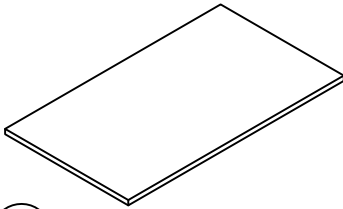
2  
LEFT SIDE PANEL  
X1



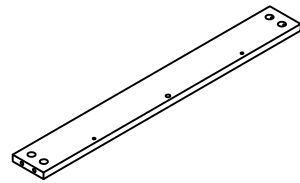
3  
BOTTOM RAIL  
X1



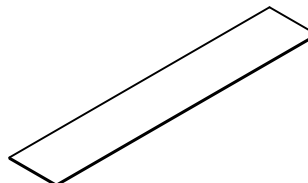
4  
BOTTOM RAIL  
X1



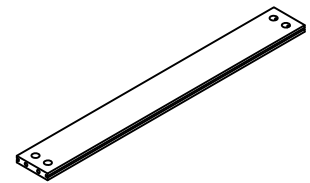
5  
MAIN PANEL  
X1



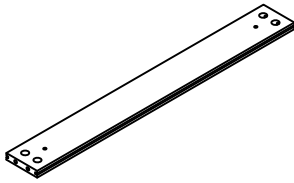
6  
BOTTOM RAIL  
X1



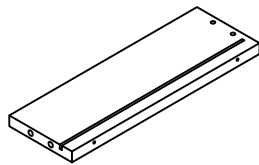
7  
BACK PANEL  
X5



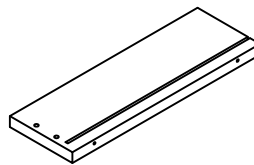
8  
BACK RAIL  
X3



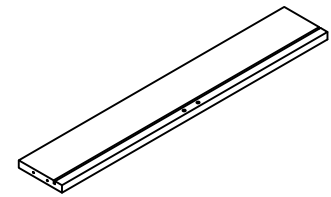
9  
BACK RAIL  
X1



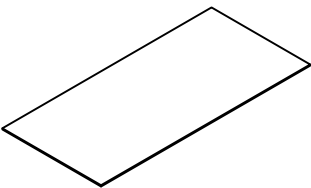
10  
DRAWER LEFT  
X5



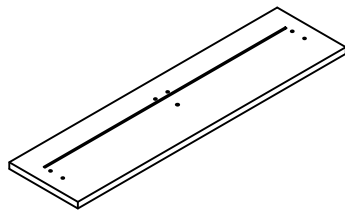
11  
DRAWER RIGHT  
X5



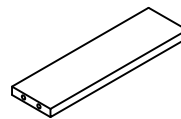
12  
DRAWER BACK  
X5



13  
DRAWER BOTTOM  
X5



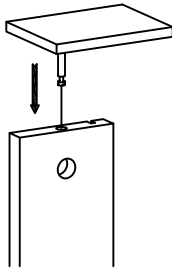
14  
DRAWER FRONT  
X5



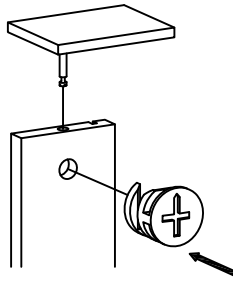
15  
RAIL  
X5

# 4

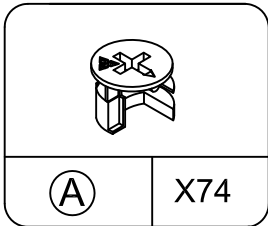
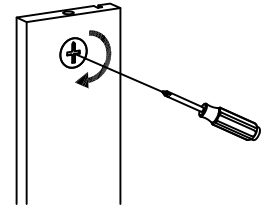
1



2



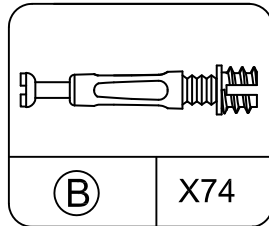
3



(A)

X74

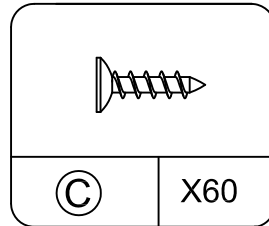
CAM LOCK  
F15\*11



(B)

X74

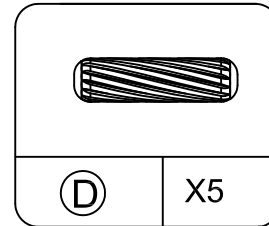
CAM BOLT  
F7\*31



(C)

X60

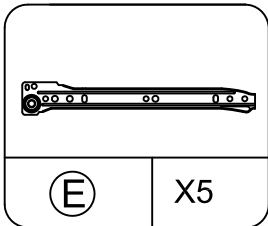
SCREW  
F3.5\*14



(D)

X5

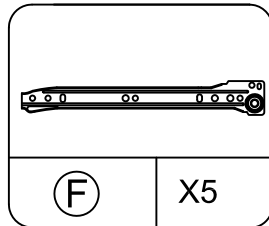
WOOD DOWEL  
F8\*30



(E)

X5

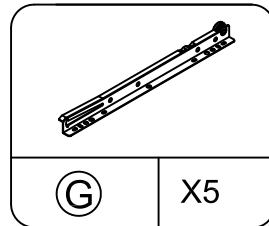
LEFT OUTER TRACK  
F20\*300



(F)

X5

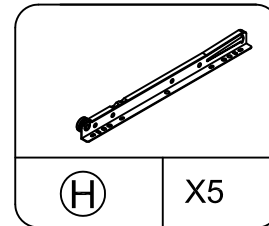
RIGHT OUTER TRACK  
F20\*300



(G)

X5

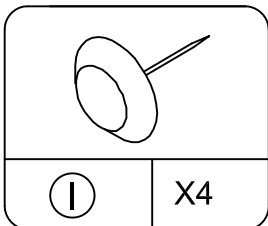
LEFT INNER TRACK  
F20\*300



(H)

X5

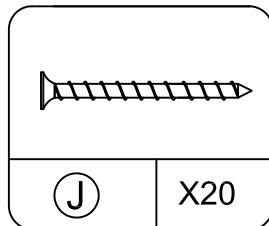
RIGHT INNER TRACK  
F20\*300



(I)

X4

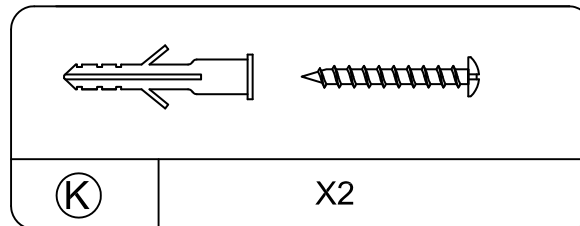
SPIKES  
F15\*15



(J)

X20

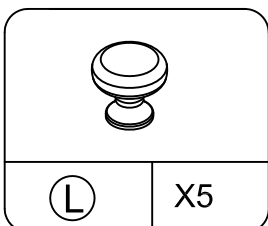
SCREW  
F4\*40



(K)

X2

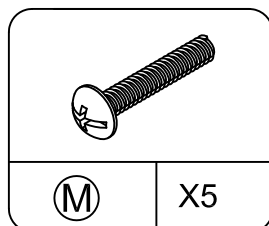
SAFETY STRAP KIT



(L)

X5

HANDLE



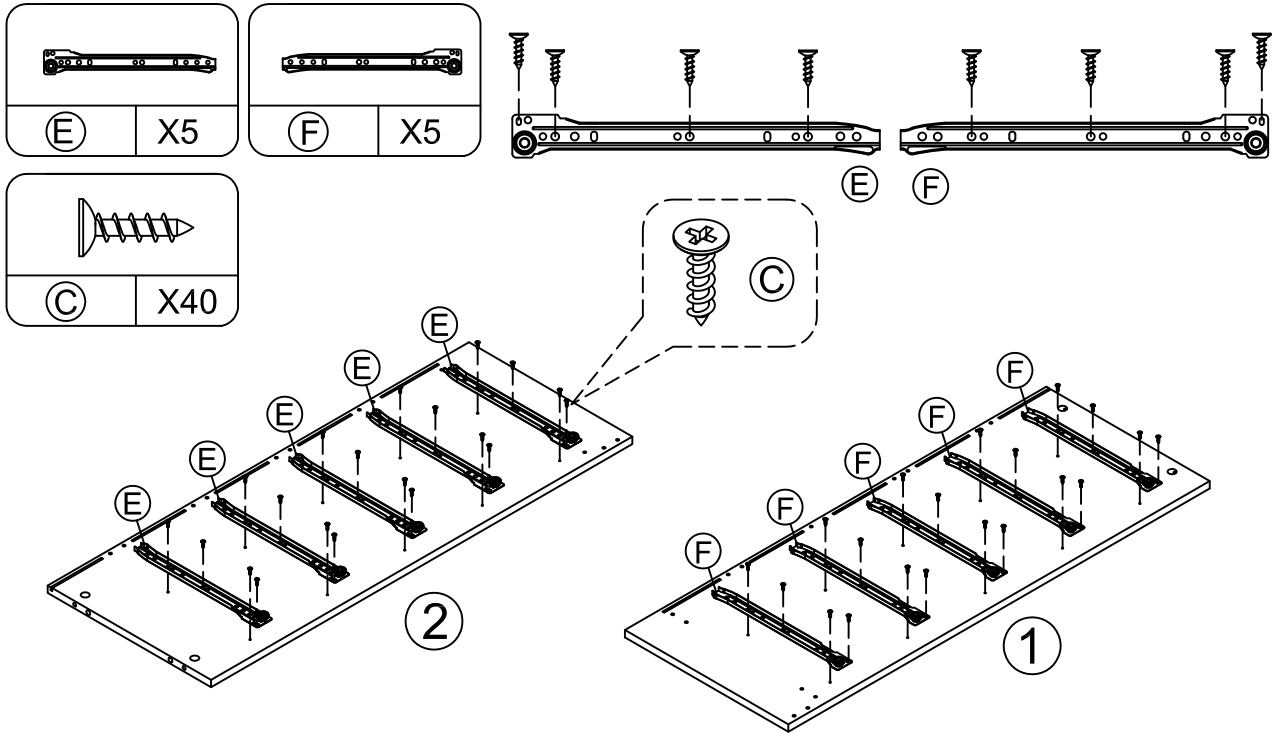
(M)

X5

BOLT  
F4\*18

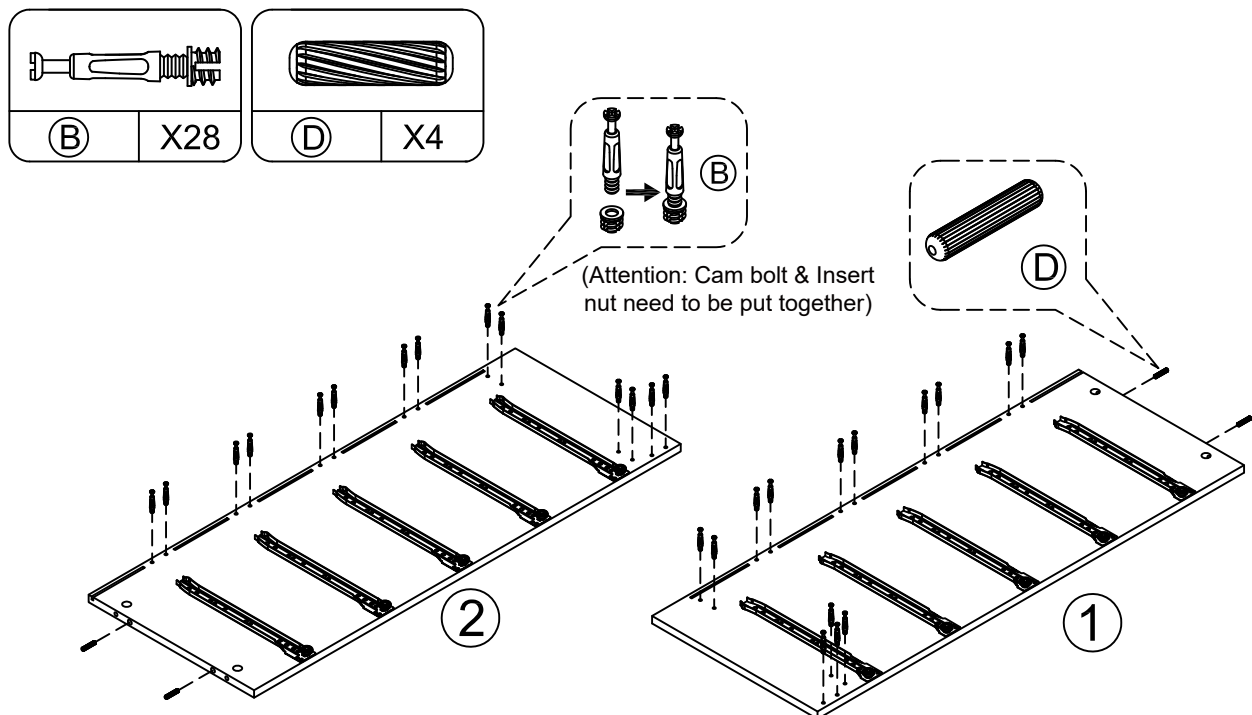
## STEP 1

- Install drawer track (E) & (F) to panel (2) & (1) with screws (C).



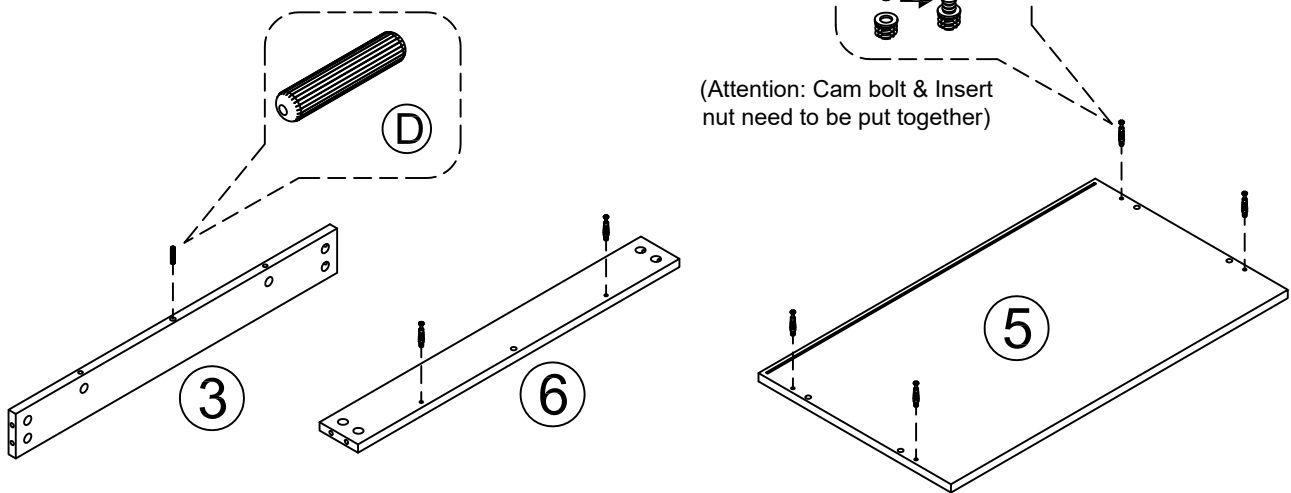
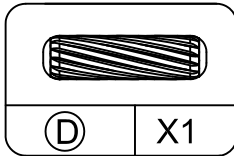
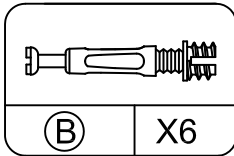
## STEP 2

- Screw cam bolts (B) into panel (1) & (2) as below shown.  
 - Insert wood dowels (D) into panel (1) & (2) as shown in the picture.



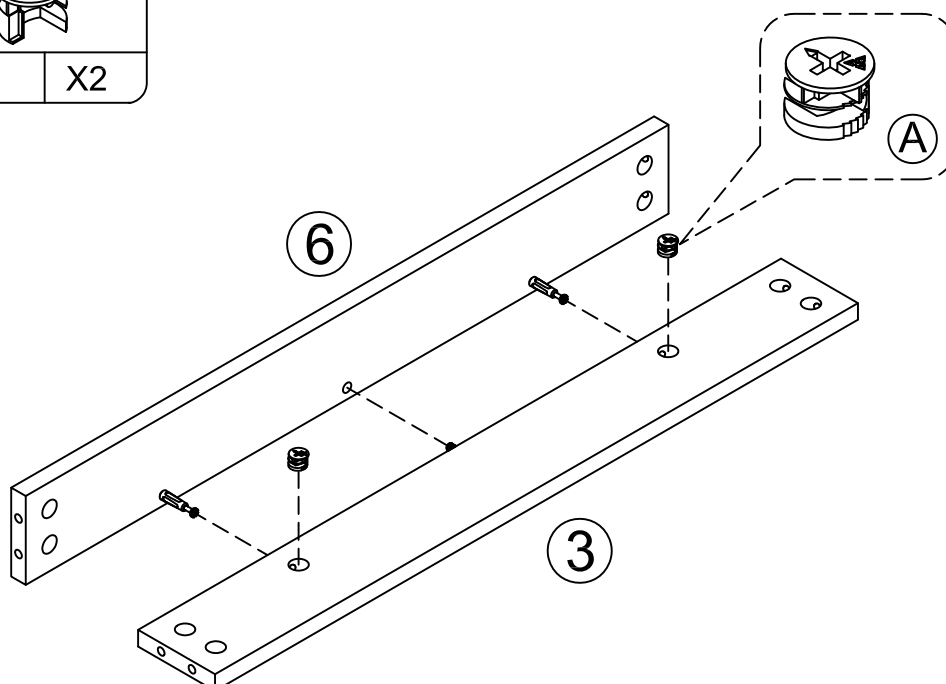
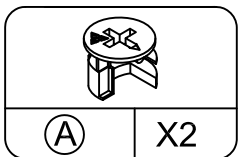
## STEP 3

- Screw cam bolts (B) into panel (5) & (6) as below shown.
- Insert wood dowels (D) into panel (3) as shown in the picture.



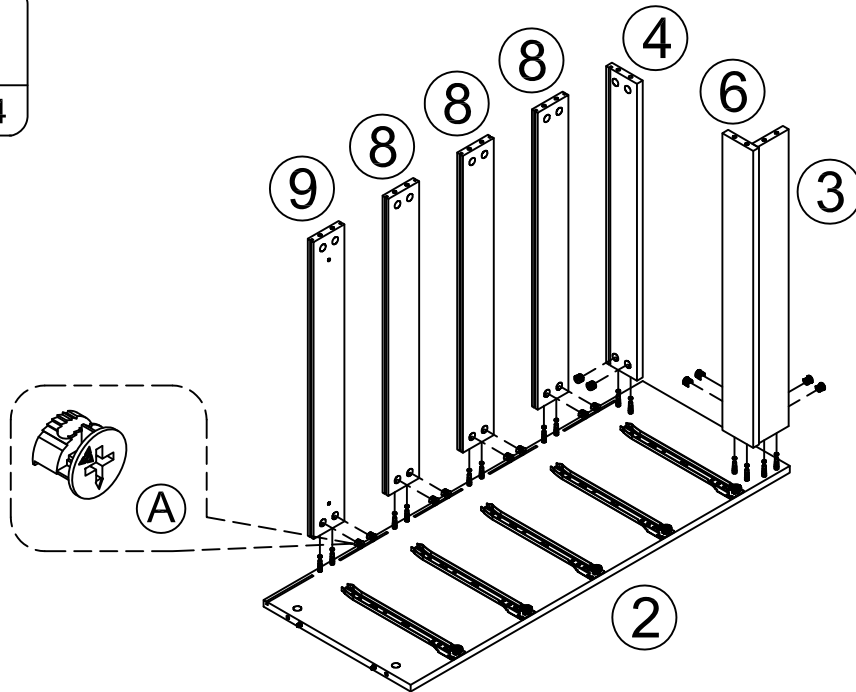
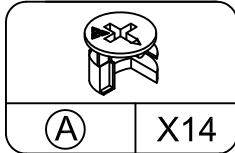
## STEP 4

- Attach panel (3) to (6) with cam locks (A).



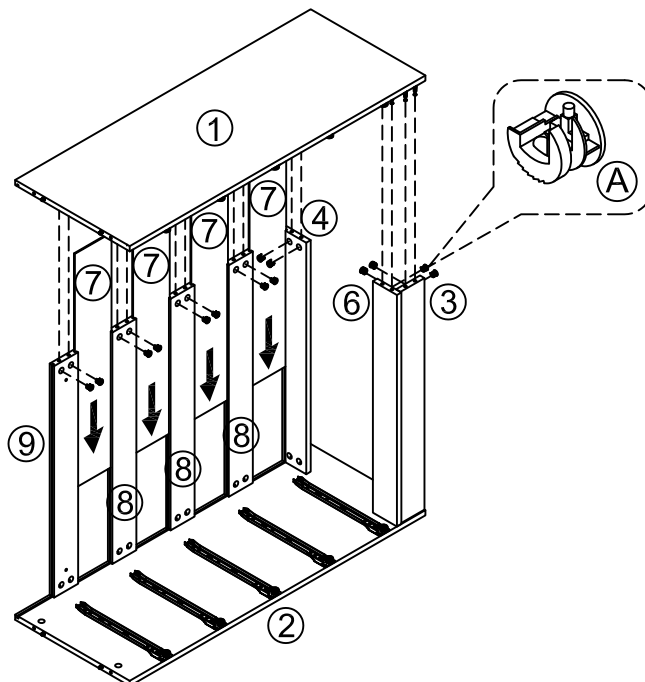
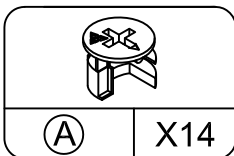
## STEP 5

- Attach panel (3) & (4) & (6) & (8) & (9) to (2) with cam locks (A).



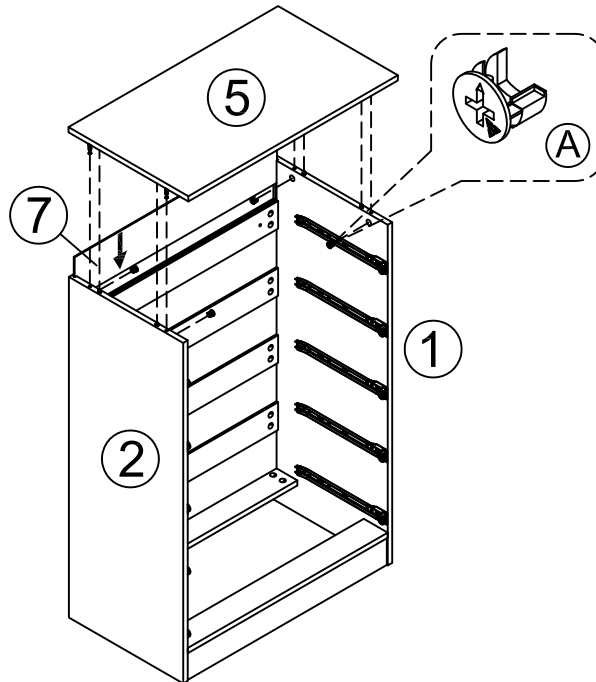
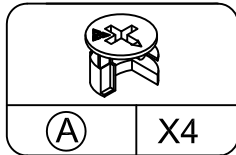
## STEP 6

- Insert panel (7) into the grooves.  
 - Attach panel (3) & (4) & (6) & (8) & (9) to (1) with cam locks (A).



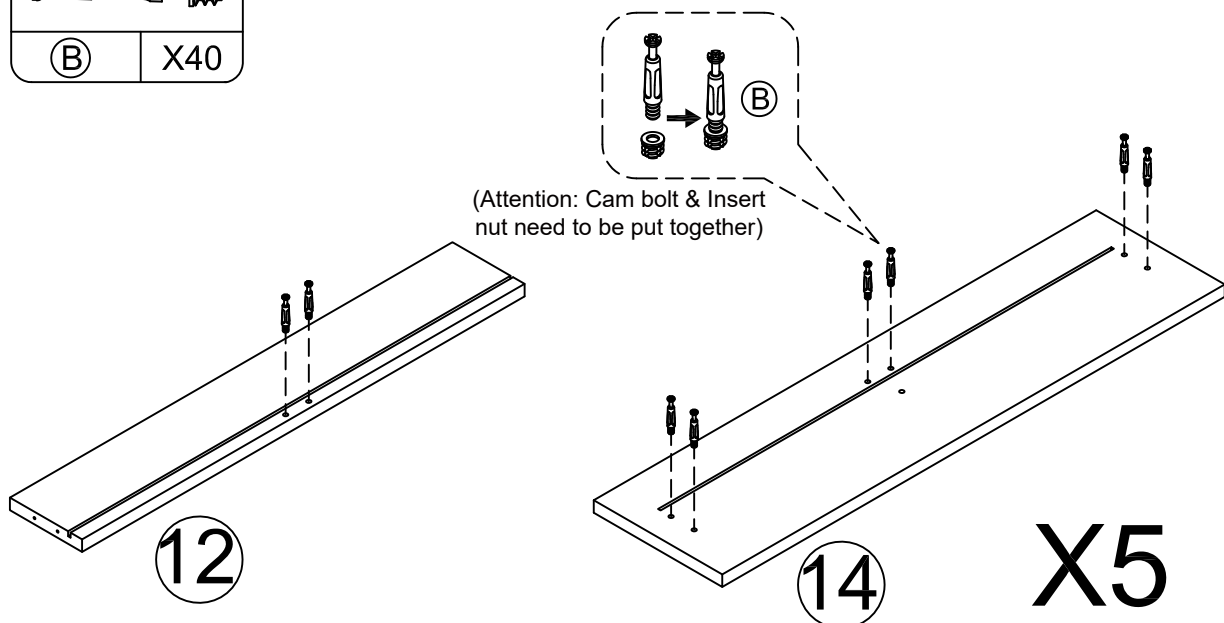
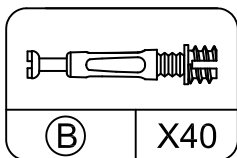
## STEP 7

- Insert panel (7) into the grooves.
- Attach panel (5) to (1) & (2) with cam locks (A).



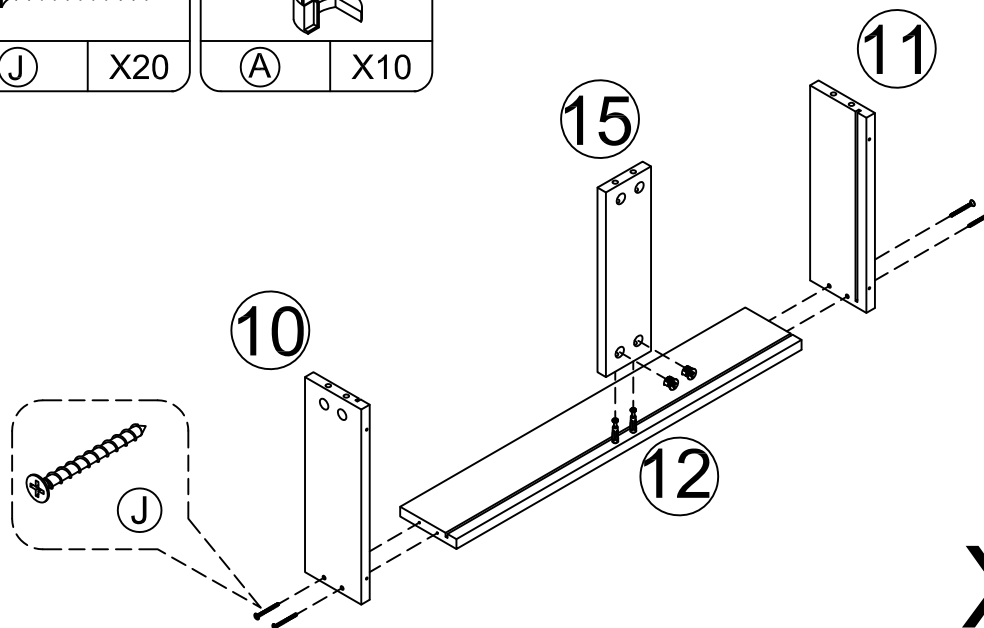
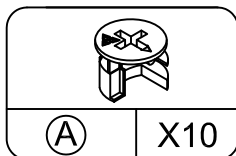
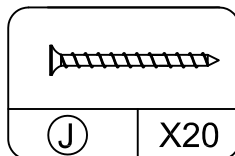
## STEP 8

- Screw cam bolts (B) into panel (12) & (14) as below shown.



## STEP 9

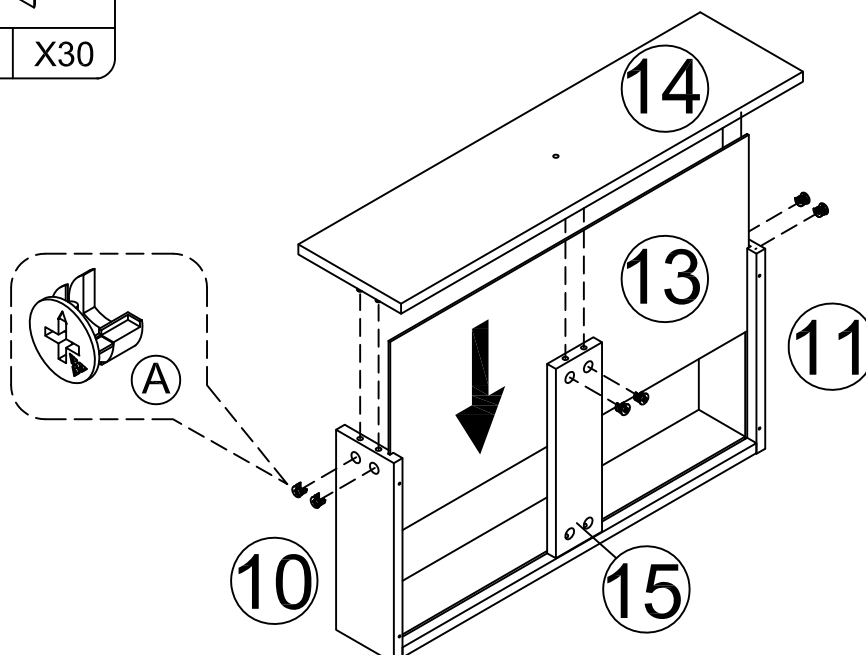
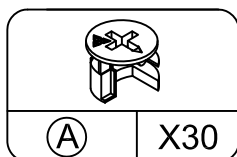
- Attach panel (10) & (11) to (12) with screw (J) .
- Attach panel (15) to (12) with cam locks (A).



X5

## STEP 10

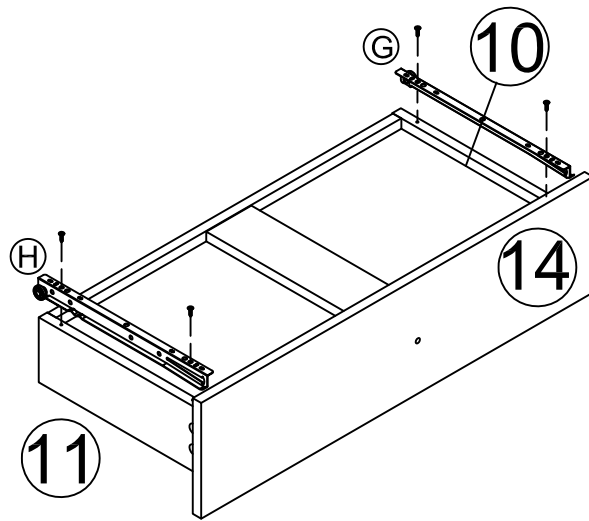
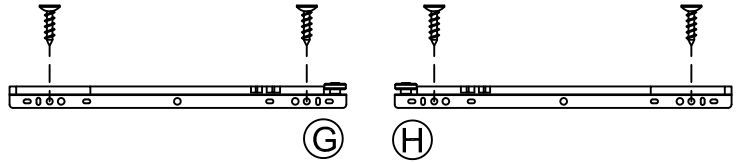
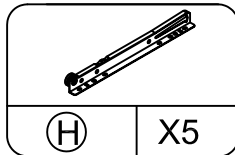
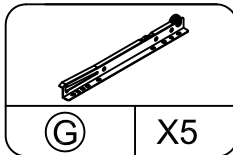
- Insert panel (13) into the grooves.
- Attach panel (14) to (10) & (11) & (15) with cam locks (A).



X5

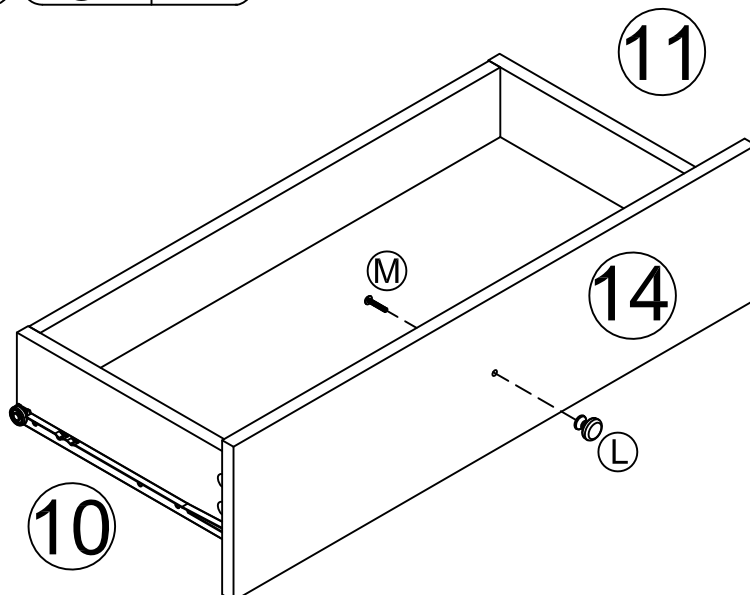
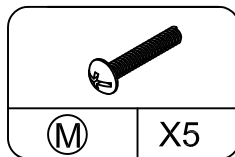
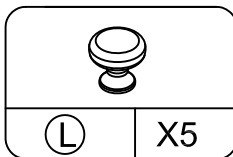
## STEP 11

- Install drawer track (G) & (H) to panel (10) & (11) with screws (C).



## STEP 12

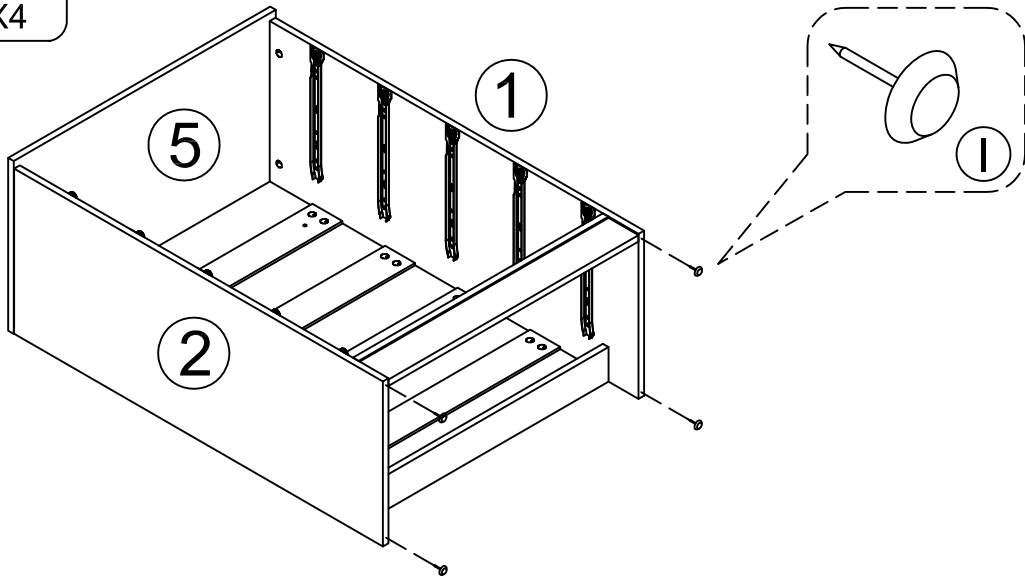
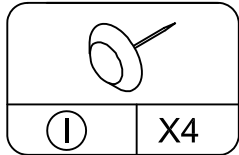
- Install handle (L) to panel (14) with bolts (M).



**X5**

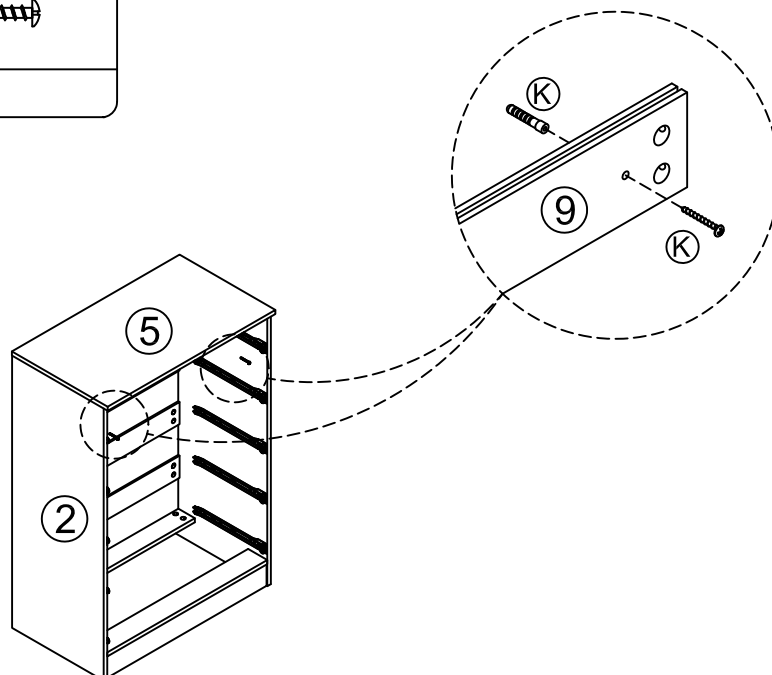
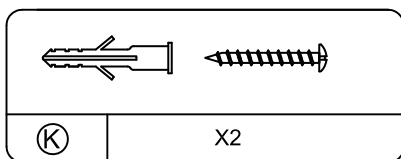
## STEP 13

- Knock spikess (I) into panel (1) & (2) as below shown.



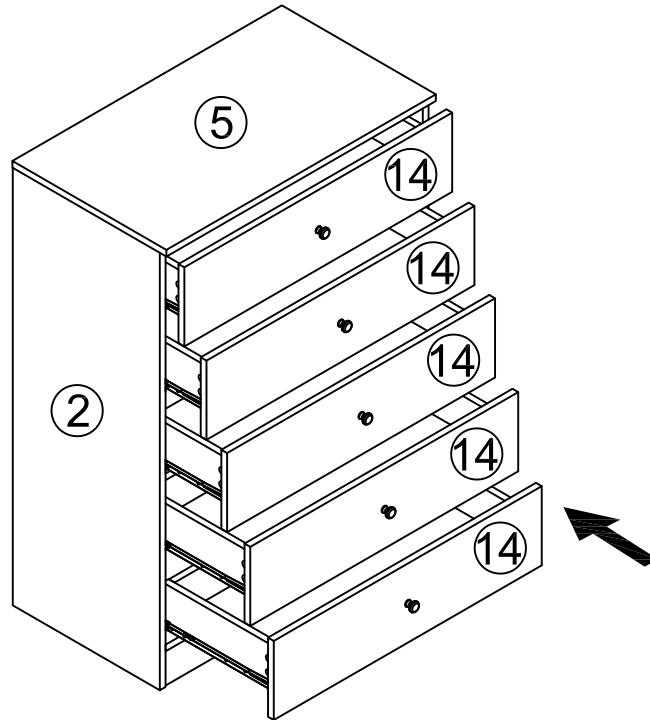
## STEP 14

- install safety strap kit.



## STEP 15

- Insert the drawers.



## STEP 16

- Installation complete.

