

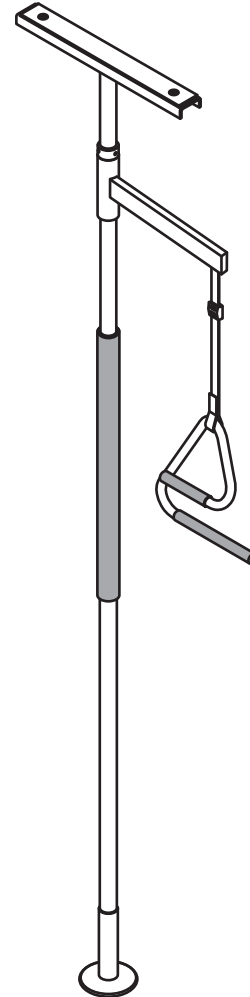
# SuperPole™ + SuperTrapeze™

## Support Pole with In-Bed Support Handle

### Technical Data Sheet

#### Product Specification

The support pole shall have a trapeze handle suspended above the user, at an adjustable height. The trapeze arm shall extend out 17" from the vertical pole, and the trapeze handle shall have ergonomic offset grips - 3.875" apart. The support pole shall be installed using a tension fit with non marking rubber pads on the ceiling plate and base plate. The support pole shall be constructed of 1.5" tubing. The product shall have an anti-microbial white gloss powder coat finish. The product shall have a weight capacity of 300 lbs/136 kg if using the standard model or 450 lbs/205 kg for the bariatric model. The support pole shall be HealthCraft Products model STP-\_\_\_\_ (see table below for appropriate product code).



#### Key Features

- Tension Fit
- Ergonomic Handle
- Anti-Microbial Powder Coat Finish
- No Damage Installation

#### Specified Model

Model	Weight Capacity	Ceiling Height	Material
STP-S	300 lbs / 136 kg	93-99" / 236-251cm	Steel
STP-CUT	N/A	<93" / 236cm	

# SuperPole™ + SuperTrapeze™

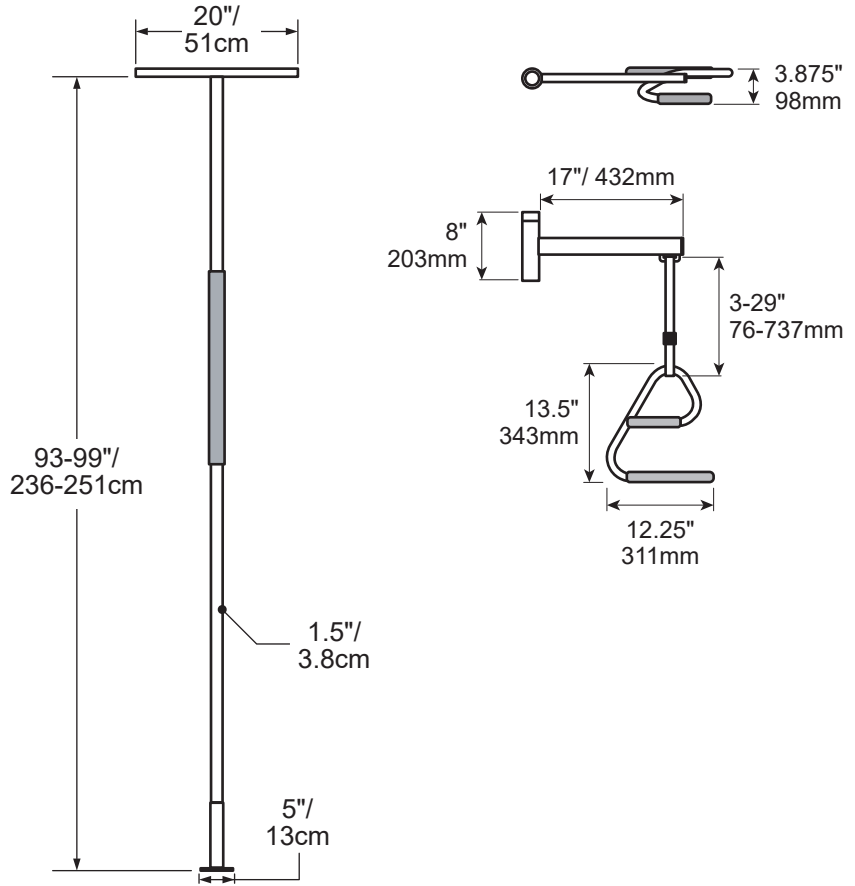


Embrace life.

Support Pole with In-Bed Support Handle

## Technical Data Sheet

### Product Dimensions



### Shipping Dimensions

Part	Height (H)	Width (W)	Depth (D)	Length (L)	Diameter (Ø)	Weight
Pole	N/A	N/A	N/A	96" / 243.8cm	2.5" / 6.35cm	13lbs / 5.9kg
Parts Box	4.5" / 11.5cm	8.75" / 22cm	16.5" / 42cm	N/A	N/A	26.5lbs / 12kg

