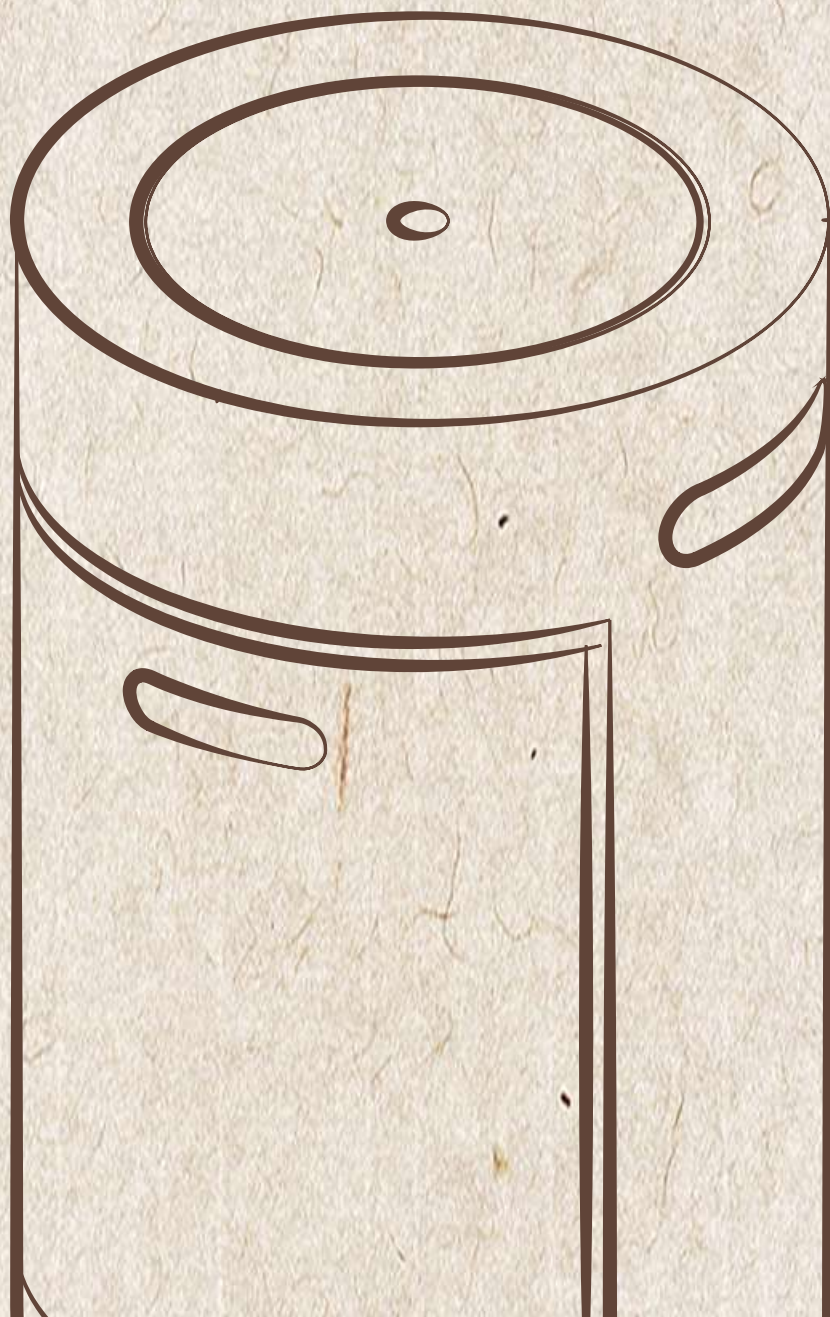


Flo^oRE

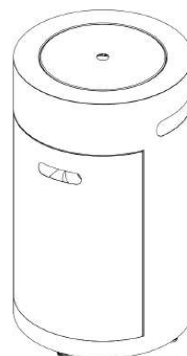
INSTRUCTION MANUAL



Floore

Modern Design Fire Table

Model Number: C43005



WARNING

Read this manual thoroughly before installing or servicing this equipment.

If the information in this manual is not followed exactly, a fire or explosion may result causing property damage, personal injury or loss of life.

Improper installation, adjustment, alteration, service or maintenance can cause injury or property damage.

Save these instructions for future use. If you are assembling this unit for someone else, give this manual to him or her to read and save for the future.

DANGER

FIRE OR EXPLOSION HAZARD

If you smell gas:

1. Shut OFF gas to the appliance.
2. Extinguish any open flame.
3. If odor continues, leave the area immediately.
4. After leaving the area, call your gas supplier or fire department.

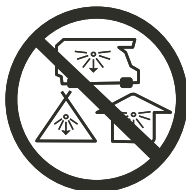
Failure to follow these instructions could result in fire or explosion, which could cause property damage, personal injury, or death.

DANGER CARBON MONOXIDE HAZARD

This appliance can produce carbon monoxide which has no odor.

Using it in an enclosed space can kill you.

Never use this appliance in an enclosed space such as a camper, tent, car or home.



WARNING

Do not store or use gasoline or other flammable vapors and liquids in the vicinity of this or any other appliance. An LP-cylinder not connected for use shall not be stored in vicinity of this or any other appliance.

WARNING FOR OUTDOOR USE ONLY!

Installation and service must be performed by a qualified installer, service agency, or the gas supplier.

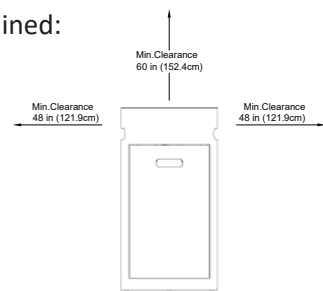
INSTALLER: Leave this manual with the appliance.

CONSUMER: Keep this manual for future reference.

⚠ WARNING

Failure to read and follow these instructions and warnings could result in fire, explosion or burn hazard that could cause property damage, serious bodily injury or death.

- This appliance must be used **ONLY** outdoors, in a well-ventilated space and must **NOT** be used inside a building, garage, or any other enclosed area.
- The following minimum clearances to combustibles must be maintained:
60" (152.4 cm) from the top 48" (121.9 cm) from all sides and back.
- Do not lean over the appliance while igniting or when in use.
- If you hear a hiss or smell gas:
 - Disconnect the gas supply.
 - Extinguish any open flame.
 - Do not try to light any appliance.
 - Do not attempt to resolve the issue yourself.
 - Do not touch any electric switch; do not use any phone in your building.
 - Immediately call your gas supplier from a neighbor's phone. Follow the gas supplier's instructions.
 - If you cannot reach your gas supplier, call the fire department.
- Never use an open flame to check for leaks.
- Never attempt to attach this appliance to the self-contained IP gas system of a camper trailer, motor home or house.
- This appliance is for use with liquid propane (LP) gas only.
The conversion or attempted use of natural gas directly in this liquid propane appliance is not workable. The gas valve, orifice and hose must be replaced to specialized Natural Gas Conversion Kit accessories by experienced person, please make sure to check the gas leakage of every single coupling before use, incorrect operation on could result in property damage or personal injury.
- Do not burn any solid fuel (wood, fire logs, paper, etc.) or charcoal in this appliance.
- This appliance must not be used for cooking.
- The max. inlet gas supply pressure for this appliance is 14 in w.c. (3.49kPa)
- The pressure regulator is set for 11 inches of water column (pressure).
Max. Gas Supply Pressure: 250 PSI
- **DO NOT** use this appliance until all parts are assembled and securely fastened.
- **DO NOT** attempt to move this appliance while in use.
- **NEVER** leave this appliance unattended while in use.
- Keep children and pets away at a safe distance. Keep all flammable items away from this appliance while in use.
- Do not sit on this appliance.
- Do not rest feet on this appliance.
- Certain parts of this appliance will become very hot while in use. Do not touch any upper part of this appliance while in use unless you are wearing heat resistant gloves or mitts.
- Keep all electrical cords away from the appliance while it is still hot.
- Do not place this appliance under any overhead enclosure.
- **DO NOT** use this appliance near automobiles, trucks, vans or recreational vehicles.
- **DO NOT** use this appliance under or near any unprotected combustible structures. Avoid using near or under overhanging trees and shrubs.



Safety Information

- Always place this appliance on a hard, non-combustible, level surface. An asphalt or blacktop surface may not be acceptable for this purpose.
- Do not use this appliance on plastic or artificial wood surfaces.
- Do not install or operate this heating appliance on a boat or vehicle.
- Keep the area around the appliance clear and free from combustible materials, gasoline and other flammable vapors and liquids.
- Do not use it in an environment with a risk of explosion.
- If the flame goes out while burning, turn the gas valve off. Wait 5 minutes before repeating the initial lighting procedure. Once you have a flame started, hold down the control knob for 30 seconds.
- Do not pour water or any other liquid into the appliance.
- Do not operate this appliance if any part has been under water.
- Immediately call a qualified service technician to inspect the appliance and replace any part of the control system and any gas control that has been under water.
- DO NOT attempt to disconnect the gas regulator from the cylinder, any gas fitting or any other part while the appliance is in use.
- Storage of this appliance indoors is permissible only if it has been disconnected from its fuel supply.
- **Children should never operate this appliance. children must be supervised while near this unit.**
- **Children and adults should be alerted to the hazards of high surface temperatures and should stay away to avoid burns or clothing ignition.**
- **Young children should be carefully supervised when they are in the area of the appliance.**
- **Clothing or other flammable materials should not be hung from the appliance or placed on or near the appliance.**
- **Any guard or other protective device removed for servicing the appliance shall be replaced prior to operating the appliance.**
- **Installation and repair should be done by a qualified service person.**
The appliance should be inspected before use and at least annually by a qualified service person.
More frequent cleaning may be required as necessary. It is imperative the control compartment, burners and circulating air passageways of the appliance be kept clean.
- The appliance and its individual shut off valve must be disconnected from the gas supply piping system during any pressure testing of the system at test pressures in excess of 1/2 psig (3.5kPa).
- This appliance must be isolated from the gas supply piping system by closing its individual manual shut off valve during any pressure testing of the gas supply piping system at test pressures equal to or less than 1/2 psig (3.5kPa).
- Inspect all heating/gas components of this appliance before each use. If there is any signs of damage or wear, the damaged part must be replaced.
- This appliance must never be use as an indoor heater. TOXIC carbon monoxide fumes can accumulate and cause asphyxiation.
- Do not store or use gasoline or other flammable vapours and liquids within 25 feet (7.62m) of this or any other appliance.
- Do not store any combustible materials in the base enclosure.
- The use of alcohol, prescription or non-prescription drugs may impair the consumer's ability to properly assemble or safely operate the appliance.
- When using this appliance, exercise the same precautions you would with any open fire. Keep a safe distance to avoid burning skin or clothing.

Safety Information

- DO NOT wear loose or flammable clothing when operating this appliance.
- DO NOT use in windy conditions.
- Before each use, examine the burner and its components. Remove any dirt or foreign material, such as spider webs or nests in this area. If it is evident that the burner is damaged, this appliance must not be used. The burner can only be replaced with a burner specified by the manufacturer.
Contact the manufacturer for assistance.
- Clean and inspect the hose assembly before each use of the appliance, If there is evidence of abrasion, wear, cuts or leaks, the hose must be replaced prior to operation. The hose assembly can only be replaced with a hose assembly specified by the manufacturer.
- **IMPORTANT!**
Shut off gas supply and disconnect regulator from the tank when the appliance is not in use.
- Remove protective cover before igniting. Do not place protective cover until the appliance has completely cooled.

Propane Cylinder Specifications

- This appliance has been designed for use with a 20 lb. (9.1 kg) (diameter 12 in, height 18 in) size propane cylinder with a Type 1 valve with this appliance as required by the American National Standards Institute (ANSI) and the Canadian Standards Steering Committee ONLY (not supplied).
- Only tanks marked “propane” may be used.
- The propane cylinder must have a tank collar to protect the tank valve.
- A dented or rusty cylinder may be hazardous and should be checked by your propane supplier. Discontinue use if any part of the propane cylinder is damaged.
- Never use cylinder with a damaged valve, collar, footing or body.
- Never fill the cylinder beyond 80 percent full.
- LP gas tank must be arranged for vapour withdrawal.
- The LP gas tank must have a listed overfilling prevention device (OPD) and a QCCI or Type I, (CGA810) LP gas tank connection.
- Do not store a spare LP-gas cylinder under or near this appliance.
- DO NOT store another LP gas tank within 10 feet (3.05 m) of this appliance while it is in use.
- Cylinders must be stored outdoors in a well-ventilated area out of reach of children.
- Disconnected cylinders must have threaded valve plugs tightly installed and must not be stored in a building, garage or any other enclosed area.
- Place a dust cap on the cylinder service valve outlet whenever the cylinder is not in use.
Only install the type of dust cap on the cylinder service valve outlet that is provided with the cylinder valve. The use of other types of dust caps or plugs may result in leakage of propane from the cylinder service valve.
- Keep gas tank at least 5 feet away from appliance when lit. (applies to units with external tank)
- Never store propane near high heat, open flames, pilot lights, direct sunlight, other ignition sources or where temperatures exceed 125 degrees F (51,67°C).
- Never keep a filled LP gas tank in a hot car or car trunk. Heat will cause the gas pressure to increase, which may open the relief valve and allow gas to escape.
- The LP gas tank should not be dropped or handled roughly.
- LP gas cylinders should be filled only by a certified LP gas dealer.

- Never use tools to turn the manual gas control valve. Turn ONLY by hand. If the valve will not turn by hand, call a certified gas technician. Do not try to repair it yourself. The use of force may result in a fire or explosion.
- This appliance comes equipped with a standard regulator including the appliance side connection for a CGA No 791 Cylinder Connection Device.
 - a. The CGA No 791 connection incorporates a magnetic flow limiting device that acts to limit the flow of gas if a leak is detected between the regulator and the burner valve.
 - b. If the burner valve is open prior to the LP gas cylinder service valve being opened, the connection will interpret this free flow of gas to be a leak.
 - c. The connection safety feature will reduce gas flow from the regulator to the appliance to a minimal level.
 - d. Be sure that the burner control valve is closed prior to opening the LP gas cylinder service valve to ensure that the connection flow limiting device is not triggered mistakenly.
 - e. If the connection flow limiting device is triggered mistakenly, close the LP gas cylinder service valve and the burner valve, wait 10 seconds to allow the device to reset, open the cylinder service valve, then open the burner valve and light the fireplace as per lighting instructions.
- Inspect the seal inside the CGA No 791 service valve on the LP gas cylinder when replacing the cylinder or at least once per year. If there is any indication of damage, have the seal replaced by a certified gas dealer before operating the appliance.
- Do not use tools to tighten the regulator coupling nut onto the CGA No 791 connection on the LP gas cylinder service valve – hand tighten only.
- Be sure not to cross thread the connection when tightening the CGA No 791 connection on to the LP gas cylinder service valve.
- Always perform a “Leak Test” each time the regulator is connected to the gas tank.

LP Gas characteristics:

1. LP gas is flammable and hazardous if handled improperly.
Be aware of the characteristics before using any LP gas product.
2. LP gas is explosive under pressure, heavier than air, and settles and pools in low areas.
3. LP gas in its natural state has no odour.
For your safety, an odorant is added that smells like rotten cabbage.
4. Contact with LP gas can cause freeze burns to skin.

Fire Glass Warning:

1. Do NOT ignite or use this appliance if the fire glass is wet. Wet fire glass can crack or pop when exposed to high heat, creating a safety hazard.
2. Ensure the fire glass is completely dry before igniting. Intense heat may cause damp glass to shatter or explode, leading to potential injury or damage.
3. Stay at least 3 feet away from the appliance for the first 20 minutes of initial lighting.
4. Fire glass may retain residual moisture, which can cause pieces to pop out and strike people nearby. Immediately discard any fire glass that pops out— do not reuse it.

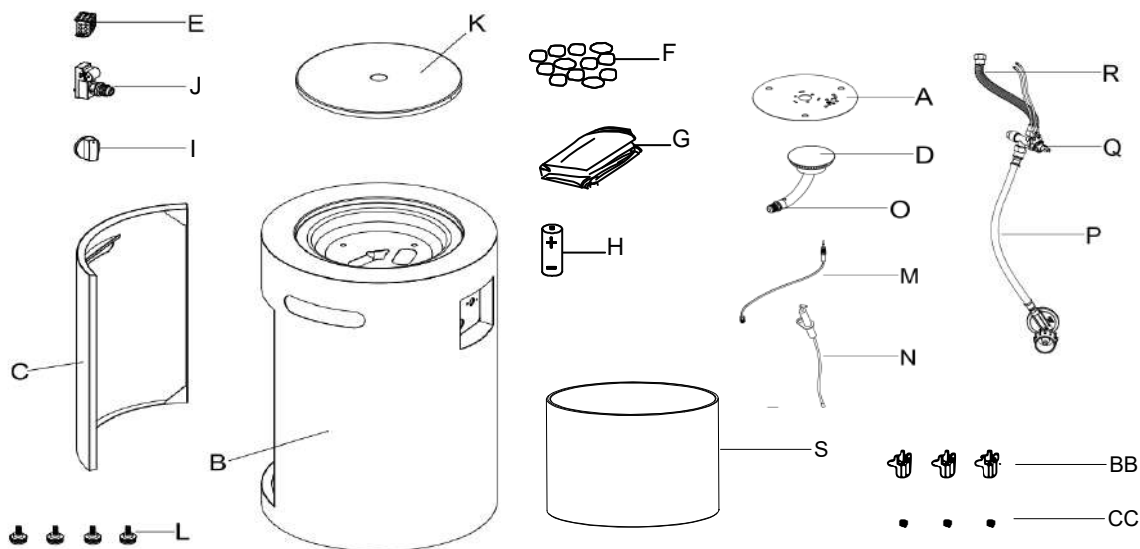
NOTE:

You must follow all steps to properly assemble this heating item. Make sure the gas valve is turned "OFF" before assembling.

DO NOT attempt to assemble without proper tools.

Package Contents

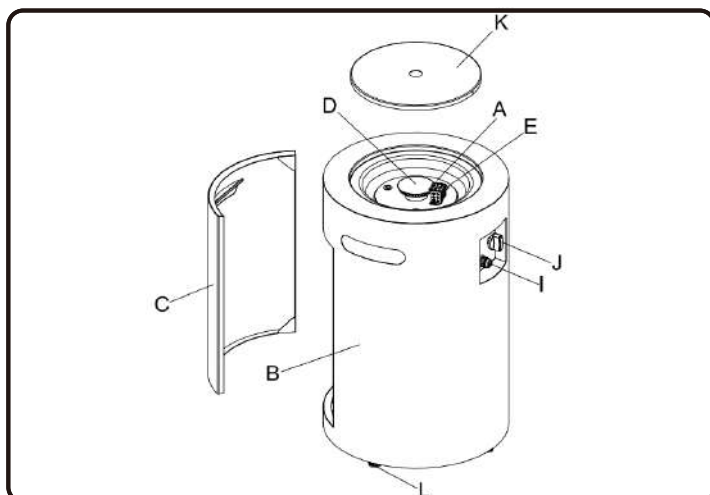
HARDWARE PACK



Item	Description	Qty
A	Firebowl(burner plate)	1
B	Body	1
C	Door	1
D	Burner(preassembled)	1
E	Guard(preassembled)	1
F	Pumice Stones	1 box
G	Protective Cover	1
H	Battery(AA)	1
I	Control Knob(preassembled)	1
J	Electronic Igniter(preassembled)	1
K	Lid	1
L	Feet	4
M	Thermocouple	1
N	Electrode	1
O	Nozzle	1
P	Regulator	1
Q	Valve	1
R	Corrugated Pipe	1
S	Wind Glass Shield	1
BB	Glass Clip	3
CC	M8	3

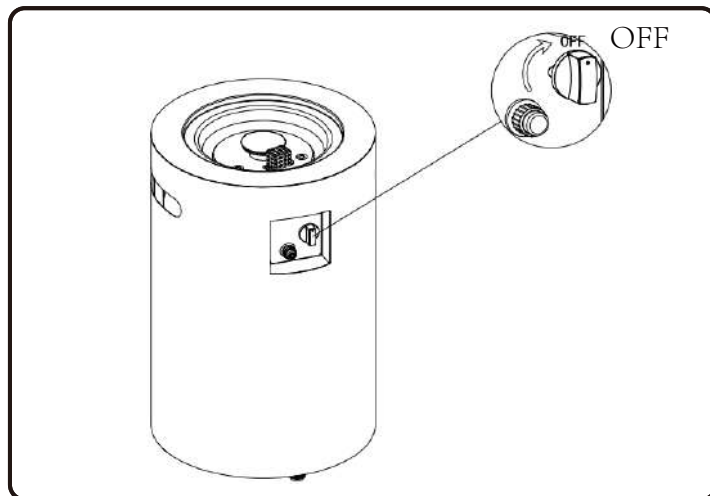
STEP 1

Prepare the accessories required for assembly, refer to the assembly position in the picture on the right.



STEP 2

Turn the Control Knob (I) to "OFF" position.

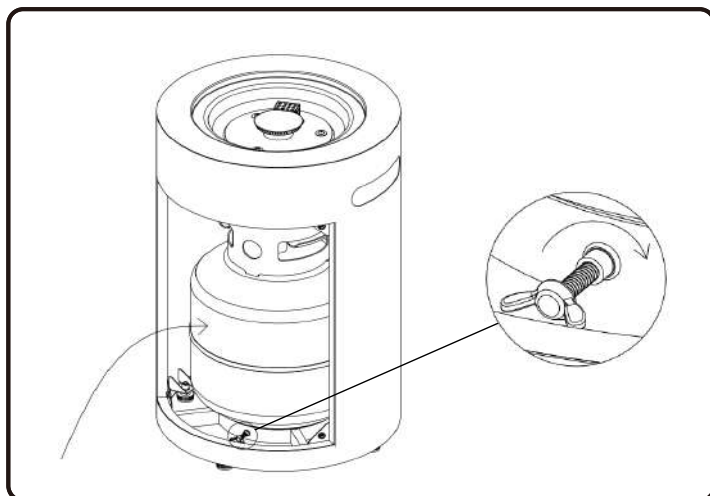


STEP 3

Place the propane tank into the bottom of the Fire Column and secure it with the long bottom screws.

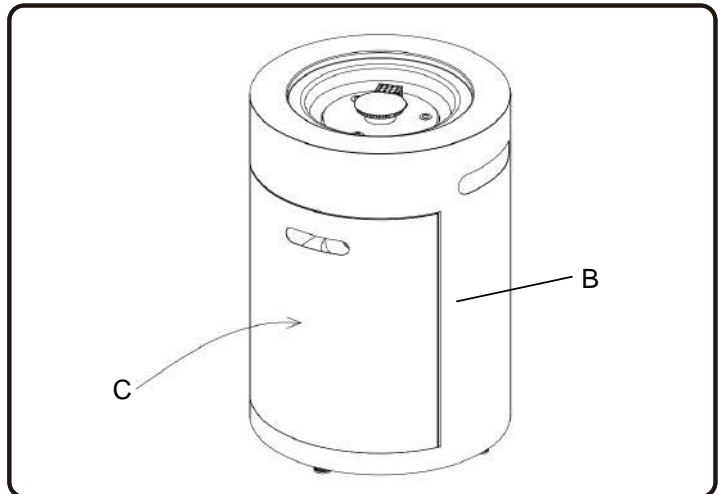
⚠ WARNING

Don't use too much force when turning the bottom screw to avoid damaging the propane tank, just keep the propane pipe from shaking.



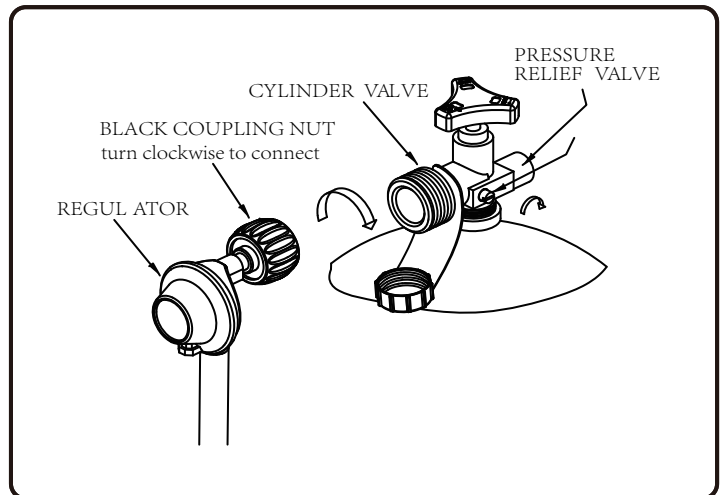
STEP 4

Assemble the door (C) to the Body (B).



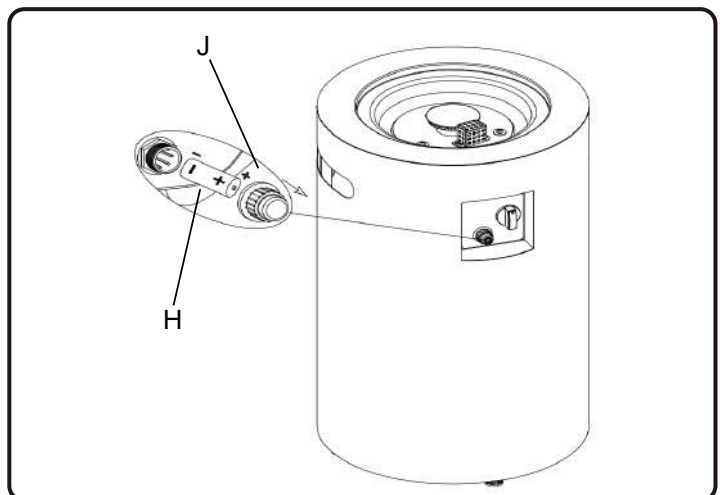
STEP 5

Turn the cylinder valve on the tank clockwise to close the propane tank. Attach the preassembled regulator from the body to the cylinder valve by turning the regulator coupling nut clockwise. Make sure it is fastened securely and tighten connections by hand only.



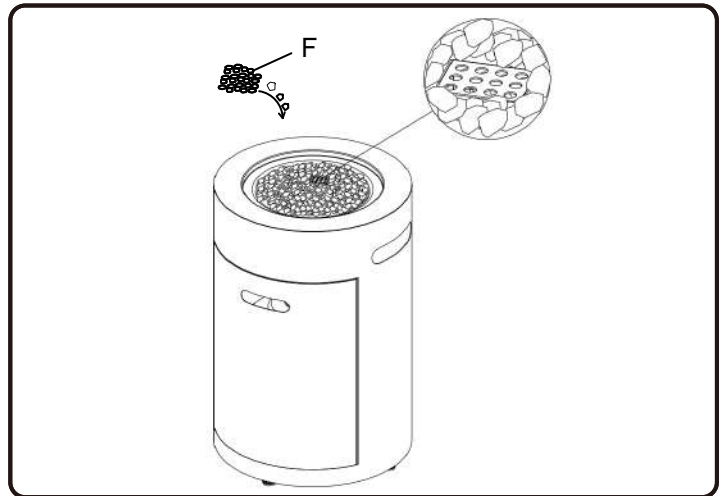
STEP 6

Remove the cap on the electronic igniter (J) by unscrewing and slide battery (H) into the battery faces outwards. Screw the electronic igniter cap (J) over the battery tightly.



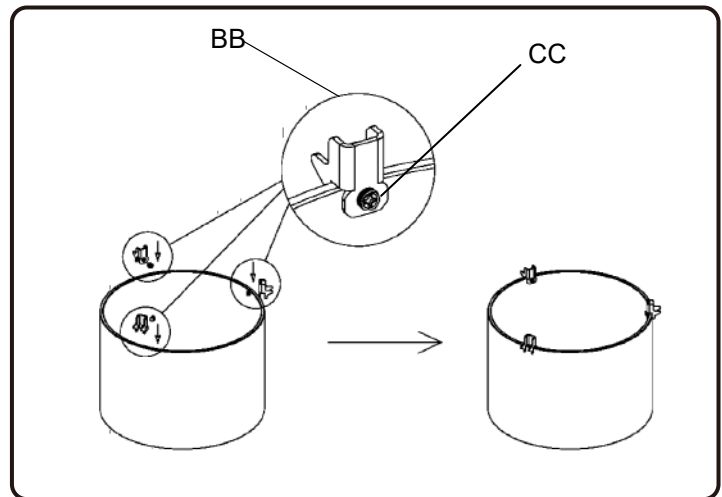
STEP 7

Pour the Pumice Stones (F) into the fire column.



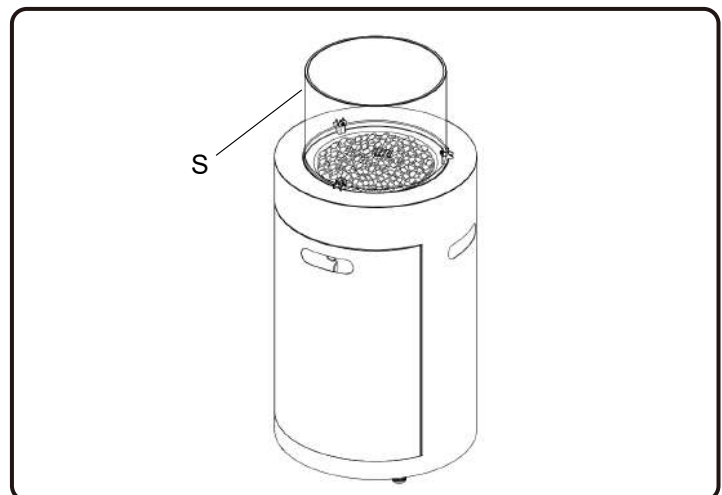
STEP 8

Use the (CC) to secure the three Glass Clips (BB) to the three positions at the bottom of the Wind Glass Shield.



STEP 9

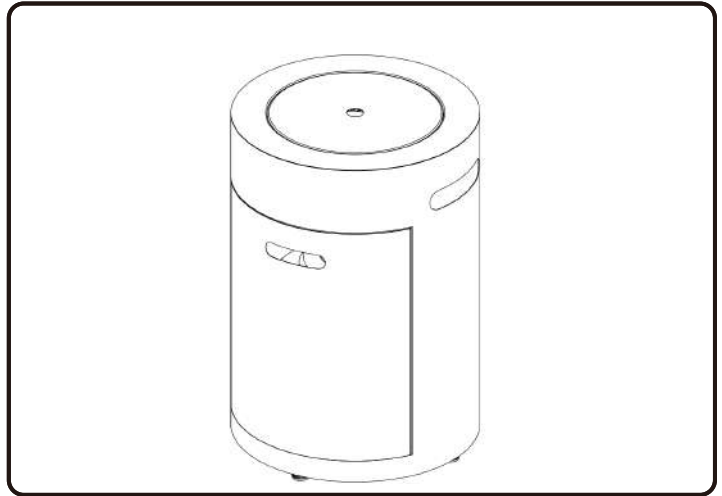
Pour the Wind Glass Shield (S) into the fire bowl.



WARNING

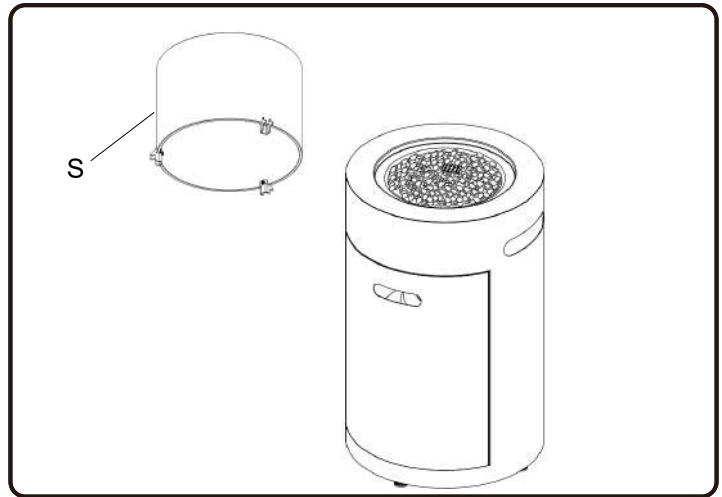
Keep away from the unit and allow the unit to burn 20 minutes for the first time use.
Always ensure that Pumice Stones (F) are completely dry before use.
Failure to do so will cause them to crack or pop.

Model 1: As a Table



Model 2: As a Fire pit

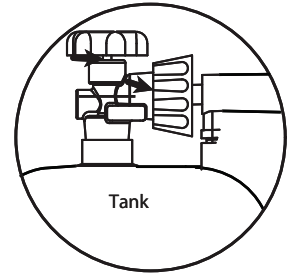
Remove the Lid of the product as shown in the diagram then place the Wind Glass Shield (S) onto the fire column.



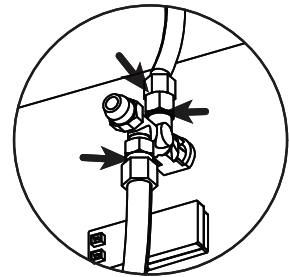
Leak Test

WARNING!

- A leak test must be performed regularly, and if any part of the gas system is replaced or reconnected.
- Never use an open flame to check for gas leaks.
- Always perform a leak test in an open outdoor area. Ensure no sparks or open flames could occur in the area while you check for leaks. Sparks or open flames could result in a fire or explosion, damage to property, serious bodily injury, or death.



1. Mix a half-and-half solution of water and liquid soap. Brush or spray the solution on all gas valve and hose connections, paying special attention to the areas marked with arrows.
2. Make sure the control knob is in the "OFF" position and turn on the gas supply at the tank.
3. If you see bubbles or smell gas, immediately turn off the gas supply. Tighten the connection (if possible) and repeat the leak test.
4. If you continue to smell gas or see bubbles, disconnect the gas source and do not use the appliance until the leak has been repaired.



Before Use

- Examine the burner and its components.
- Remove any dirt or foreign material, such as spider webs or nests in this area. If it is evident that the burner is damaged, this appliance must not be used. The burner can only be replaced with a burner specified by the manufacturer. Contact the manufacturer for assistance.
- Clean and inspect the hose assembly. If there is evidence of abrasion, wear, cuts or leaks, the hose must be replaced prior to operation. The hose assembly can only be replaced with a hose assembly specified by the manufacturer.
- Check the regulator hose assembly and burner connections.
- The regulator valve should be securely fastened to the LP propane tank and gas control valve (located behind the control panel).
- The orifice should be fully connected or inserted into the burner pipe.
- Pumice stones could pop out and hit someone causing injury when lighting the appliance. Please stay away from the appliance for the first 20 minutes after lighting the appliance.
- **WARNING** Failure to inspect these connections or follow these instructions could result in a fire causing property damage or personal injury.

Lighting Instructions

IMPORTANT!

Make sure to read and understand all warnings and instructions prior to activating your fire pit table.

1. Make sure the control knob (I) is in the "OFF" position.
2. Slowly open the valve on the propane gas tank by turning the knob counterclockwise.
3. A pulse igniter is built into the control knob (I) so pushing and turning the control knob (I) counterclockwise to the "LOW" position will ignite the fuel. Once lit, keep holding down the control knob for 15 seconds. If ignition does not immediately take place in seconds, push and turn the control knob (I).
4. Clockwise to "OFF" and wait 5 minutes, and then repeat the lighting procedure as above.
5. If igniter does not light burner, use a long match or long butane lighter.
6. Adjust flame to desired flame with the control knob (I).

If the igniter is not sparking, wait 5 minutes for gas to clear and use a long match or utility lighter as follows:

1. Move some pumice stones away from the burner using small shovel.
2. Light a long match or long necked lighter and wearing heat resistant gloves or mitts, hold the flame next to the burner. DO NOT lean over the heating appliance while lighting!
3. Press and turn the control knob to the desired temperature to ignite the burner.
4. Once the burner is ignited, remove the match or long necked lighter and, wearing heat resistant gloves or mitts place the pumice stones in a small shovel.
5. Check that all burner ports are lit. The flame should be a yellow/blue color and height should be no more than 13 inches.
6. Adjust the flame height by rotating the control knob between the "LOW" and "HIGH" positions.

To shut down:

1. Rotate the control knob to the "LOW" position. The knob will pop out. Then, continue turning to the "OFF" position.
2. Close the valve on the LP gas tank.

WARNING

If the flame goes out during use, immediately rotate the control knob to the "OFF" position and close the LP Gas tank valve.

Wait at least 5 minutes for the gas to clear before re-lighting the appliance.

IMPORTANT!

- Inspect your appliance regularly to make sure it is safe to use.

WARNING

Before performing any maintenance or inspection:

- Make sure the heating appliance is turned off and completely cooled.
- Always turn off and disconnect the appliance from the gas supply.

1. Visually check the burner and venturi tube for any obstructions such as insects, spider nests and other debris.
2. Make sure the burner is securely in place and there are no signs of damage.
3. Check gas connections for leaks and signs of damage, rust or excessive wear.
4. Inspect the gas supply hose for any signs of wear or abrasion.
5. Test the ignition system to ensure it is sparking at the electrode.
6. Keep the tank enclosure free and clear from debris.
7. Keep the area around the appliance clear and free from combustible materials, gasoline and other flammable vapors and liquids.

Cleaning

Do not use any harsh or abrasive cleaners as this will damage the appliance surfaces and make them more susceptible to rust.

Stainless steel

Use a solution of warm water and mild liquid soap or stainless steel clean. Rub with a soft cloth and dry completely.

Burner

Check the burner ports and valve orifices for blockages. Burner ports can close over time due to debris and corrosion; use an opened paperclip to clear them.

Table surface

Use a solution of warm water and mild liquid soap. Rub with a soft cloth or use a soft brush for stubborn stains. Rinse with fresh water and dry completely to avoid water stains. Use coasters or protective mats when placing cold, hot or wet dishware on the table surface to prevent staining.

WARNING

If you find any damaged component, DO NOT use this heating appliance until all repairs and/or replacements have been made. Only replacement parts approved by the manufacturer may be used. Using a non-approved replacement part may be dangerous and will void the warranty.

WARNING

Keep the area around the appliance clear and free from combustible materials, gasoline and other flammable vapours and liquids. Do not obstruct the flow of combustion and ventilation air. Keep the cylinder enclosure free and clear of debris.

Storage

- DO NOT attempt to transport or store this appliance while in use.
- Always disconnect LP gas tank before storing this appliance indoors or outdoors.
- If storing indoors:
Remove LP gas tank and store in a cool, dry location away from children and pets.
- If storing outdoors:
Choose a location away from direct sunlight and use the protective cover provided.
- Cover this appliance with the protective cover when not in use.
- Ensure the heating appliance has COMPLETELY cooled before putting on the cover.

NOTE

1. It is strongly recommended to store the heating appliance indoors during winter months to protect it from harsh weather conditions.
2. Read all instructions thoroughly and be sure you understand them fully before attempting to use this product.
3. To extend the life of this product, store indoors while not in use.
4. Item is hot when in use and can burn if touched. Allow the item to cool before touching.
5. Ensure sufficient clearance from any adjacent combustible materials (trees, walls, etc.).
Follow manufacturer's recommendations for clearance distances.
6. Product is designed for use with propane. Follow manufacturer's recommendations for fuel.
Never use gasoline, kerosene, or any liquid fuel material to attempt to start a fire.
7. NEVER leave fire unattended. Ensure that it is completely extinguished before leaving area.
8. Check for and follow any local regulations regarding open fires.
9. As with any product that emits heat or flame, NEVER leave children or pets unattended in the vicinity of this product while it is in operation.
10. Do not use product on a combustible surface (e.g., a wooden deck) unless specifically rated for such use by the manufacturer.
If so rated, exercise extreme caution when using this production a combustible surface.
11. Not intended for cooking (if applicable).

Attention

If you received something other than what you ordered or you have problems with your Fire Pit Please contact Customer Service and Technicoal Support at Email: macfire32366@gmail.com

Troubleshooting

Problem	Possible Cause	Solution
Burner will not light or stay lit	No gas flow	Check if LP gas cylinder is empty. A. If empty, replace. B. If LP gas cylinder is not empty, refer to "Sudden drop in gas flow or reduced flame height" below.
	Lp gas leak	1. Turn control knob to "OFF". 2. Wait 5 minutes for gas to clear. 3. Follow "Checking for Leaks" section.
	Electrode and burner are wet	Wipe dry with cloth.
	Igniter battery is dead or incorrectly inserted	Check which direction the battery is inserted or replace the battery.
	Electrode is broken or cracked	Replacement part (s) may be needed.
	Electrode is wire is loose or disconnected	Reconnect wire to the igniter box located inside the appliance behind the igniter box.
	Electrode is wire is shorting between valve and igniter pin	Replacement part (s) may be needed.
	Igniter housing is obstructed	1. Check that there is no debris or pumice stones on top of igniter housing and between the electrode, thermocouple and the burner. 2. Check that the electrode is pointing at the thermocouple.
	Regulator is not fully connected to the gas cylinder	Turn the regulator coupling nut about one-half to three-quarters more until solid stop. Tighten by hand only-do NOT use tools.
	Obstruction of gas flow	1. Check all hoses for kinks and bends. 2. Check the burner and venturi tube for obstruction.
	Spider webs or insect nests in	Check the burner and venturi tube for obstructions.
	Burner ports are clogged or blocked	Turn OFF all gas connections. Insert an opened paperclip into each of the burner ports to clear them out.
Appliance emits a lot of black smoke	Flame is obstructed at burner	Check that all burner ports are free of any small pumice stones.
	Regulator hose is kinked or bent	Straighten hose of all bends or kinks.
Sudden drop in gas flow or reduced flame height	No gas flow	Check if LP gas cylinder is empty. A. If empty, replace. B. If LP gas cylinder is not empty, refer to "Sudden drop in gas flow or reduced flame height" below.
	Excess flow safety valve has been activated	1. Turn the control knob to the "OFF" position. 2. Close the tank valve and disconnect the regulator from the LP cylinder. 3. Turn the control knob to "HIGH"; wait 1 minute. 4. Wait 5 minutes for gas to clear. 5. Turn the control knob back to the "OFF" position and reconnect LP gas cylinder.
Flame blows out easily	High or gusting winds	Increase the flame height to "HIGH".
	No gas flow	Check if LP gas cylinder is empty. A. If empty, replace. B. If LP gas cylinder is not empty, refer to "Sudden drop in gas flow or reduced flame height" below.
	Excess flow safety valve has been activated	See "Sudden drop in gas flow or reduced flame height" above.