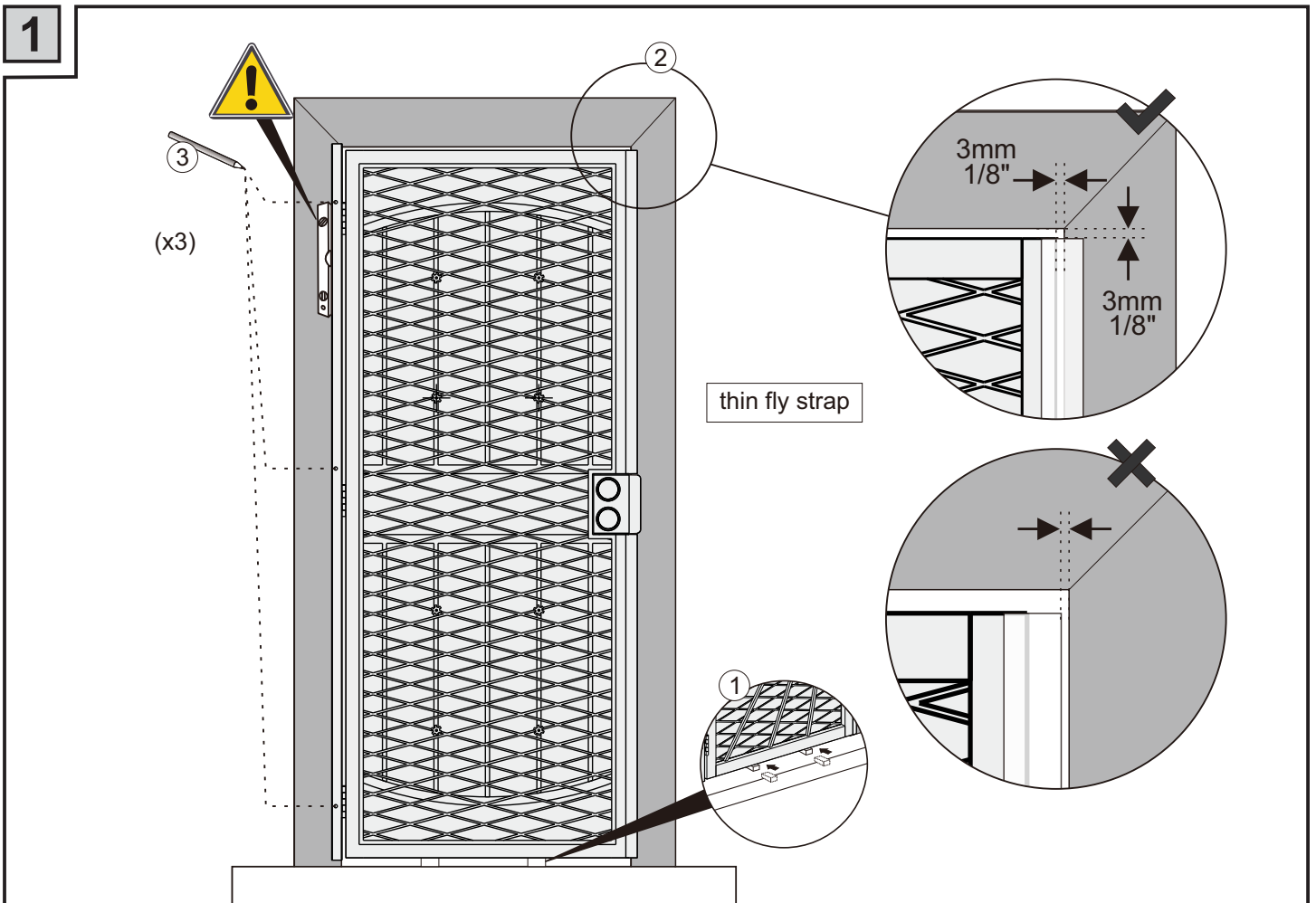
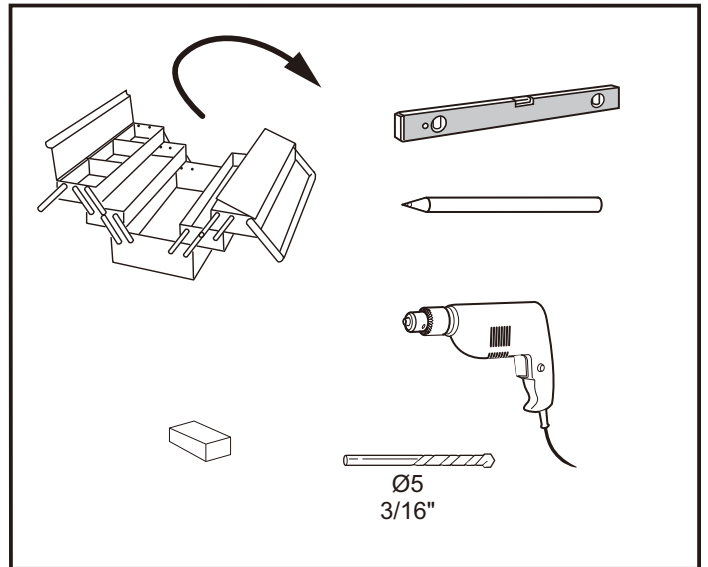
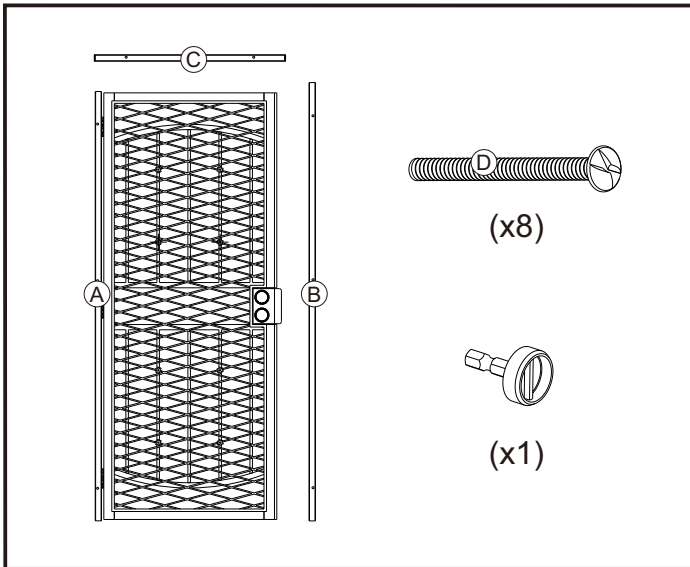


Installation Manual

Any question please contact us:
support@jubest.com

HWTKM01



1. Wood blocks and shims placed underneath door will help to hold position.

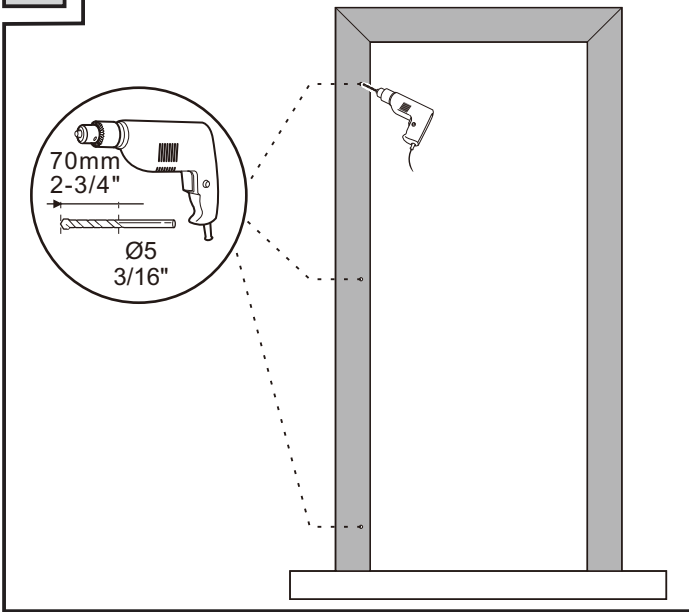
2. Position door/hinge-side jamb assembly (A) in front of opening. Allow for a 1/8" gap between the lock-side edge of door and inside edge of your mounting surface, as well as a 1/8" gap between the top edge of door frame, (not the thin fly strap welded to the edge of the door frame in select models) and bottom edge of your mounting surface. Make certain the assembly is plumb.

important: All jambs must be positioned on the facing surface of the frame around the opening and secured to a stud in the wall.

3. Mark the location of the mounting holes.

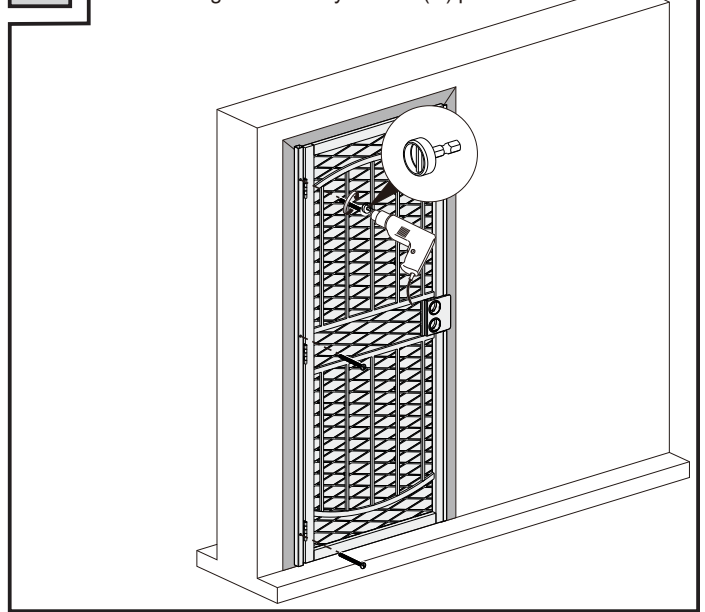
2

Set door aside and pre-drill 3/16" holes where marked.



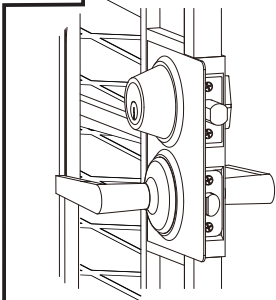
3

Fasten the door/jamb assembly to the house using the one-way screws (D) provided.

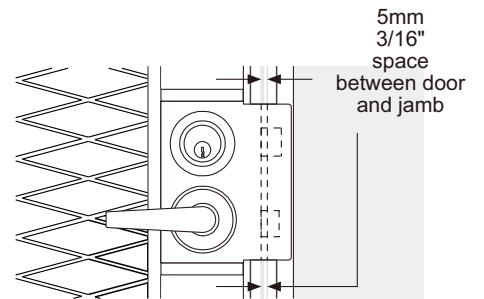


4

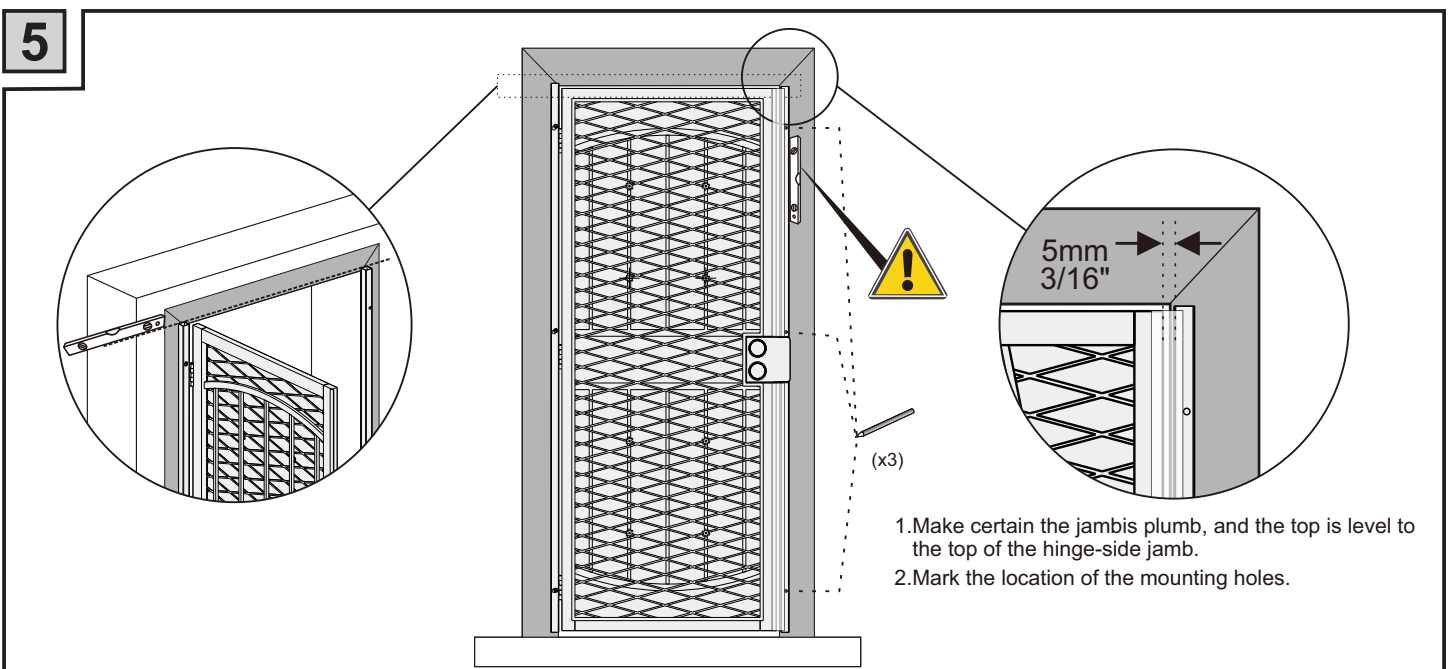
Install your choice of locksets with 2-3/8" backset (not provided). Fully extend the lock bolts into the "locked" position.



With the lock bolts extended, align the lock bolts with the holes in the lock-side jamb (B). Allow approximately 3/16" space between the door (not the thin fly strap) and the jamb.

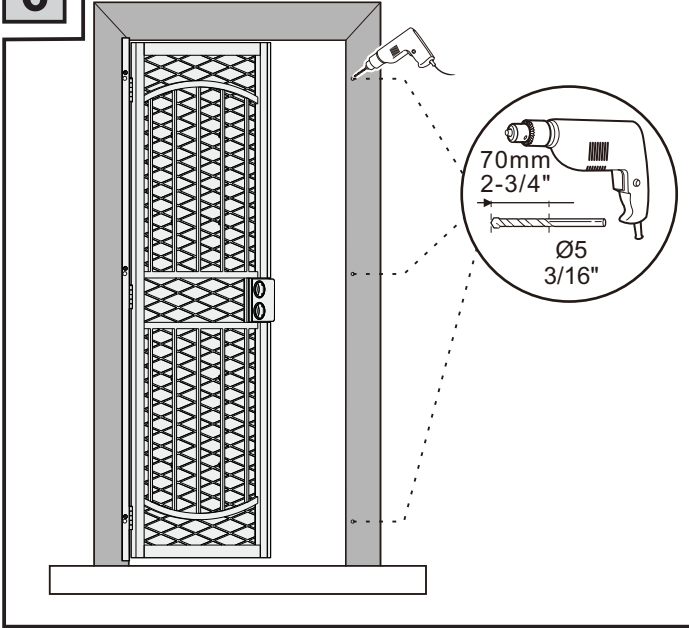


5



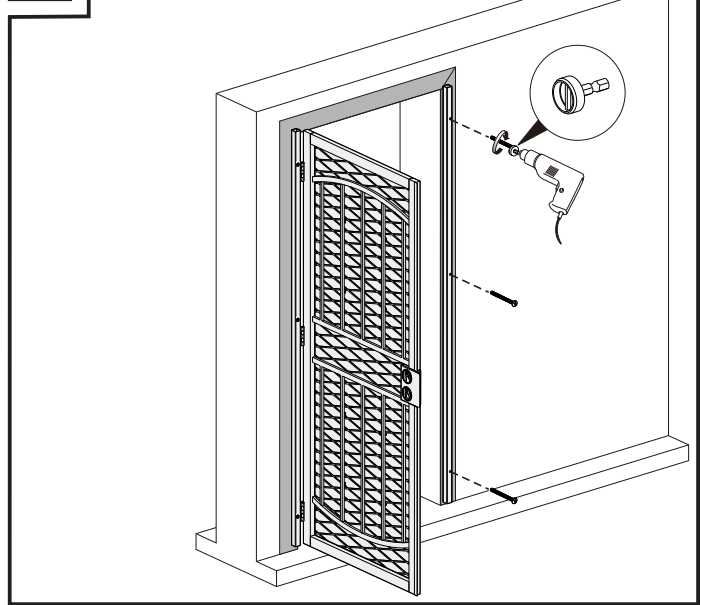
6

Set the jamb aside and pre-drill 3/16" holes where marked.



7

Fasten the jamb assembly to the house using the one-way screws (D) provided.

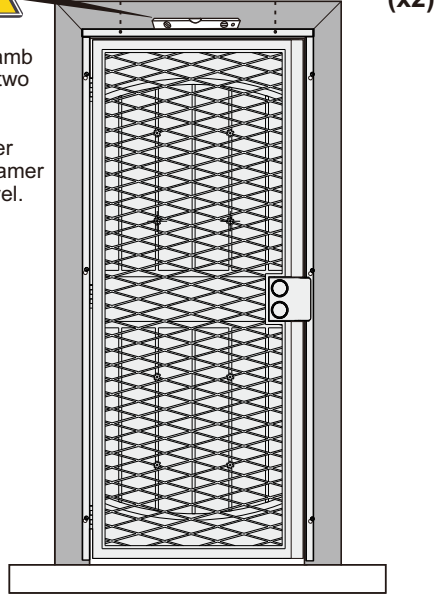


8



(x2)

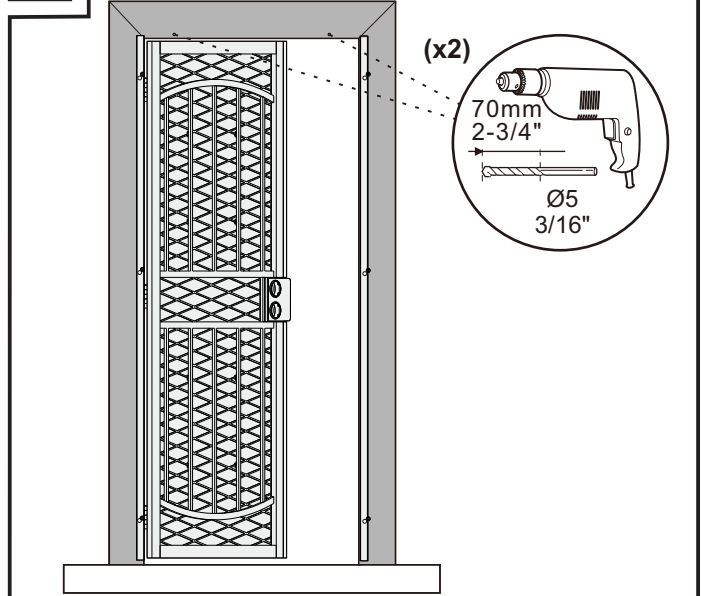
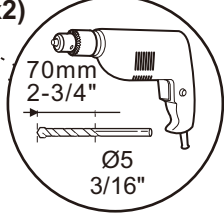
Position the top header jamb (C) across the top of the two side jambs. Make certain there is a minimum 1/8" space between the header and the top of the door framer and that the header is level. Mark the location of the mounting holes



9

Set the jamb aside and pre-drill 3/16" holes where marked.

(x2)



10

Fasten the jamb to the house using the provided one-way screws (D).

