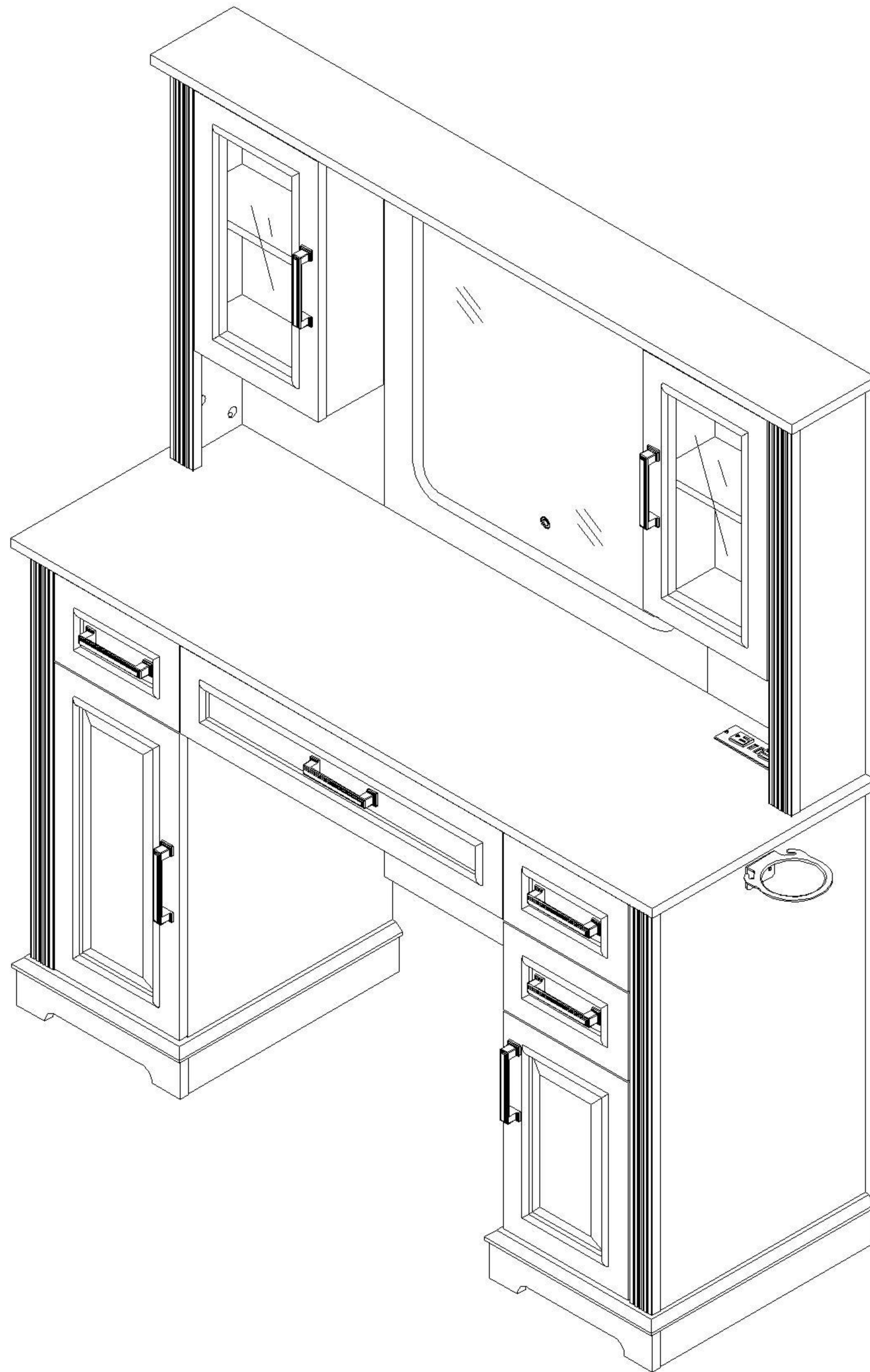

JY9868BS01

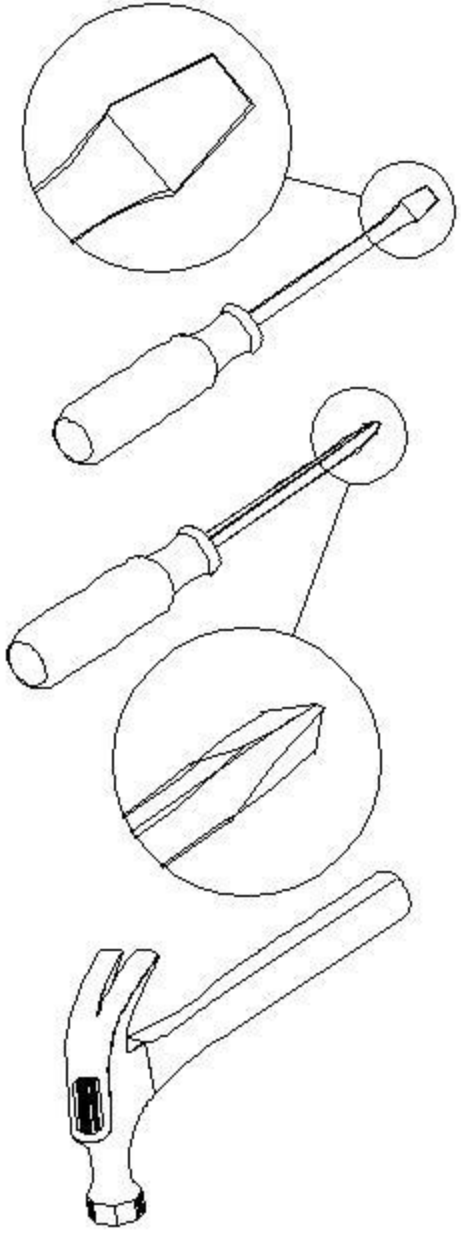


As this item contains many parts, please read the installation instruction carefully before installation . Please use tools properly and carefully. If you have any questions about the product and installation, please contact us.

hosoteservice@gmail.com

Our professional after-sales team will serve you online all day.

Before You Start

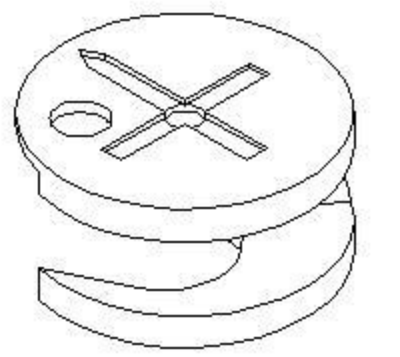
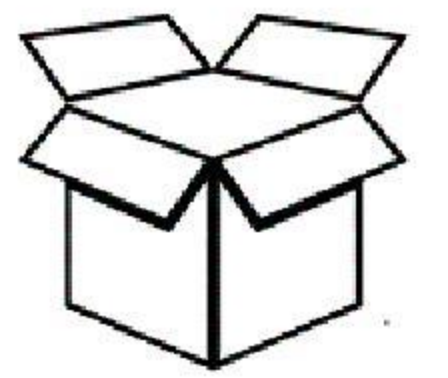


- ✓ Read through each step carefully and follow the proper order
- ✓ Separate and count all your parts and hardware
- ✓ Give yourself enough room for the assembly process
- ✓ Have the following tools: Flat Head Screwdriver, #2 Phillips Head Screwdriver and Hammer
- ✓ Caution: If using a power drill or power screwdriver for screwing, please be aware of to slow down and stop when screw is tight. Failure to do so may result in stripping the screw. (Assembly speed can be increased by using electric screwdriver)

Helpful Hints

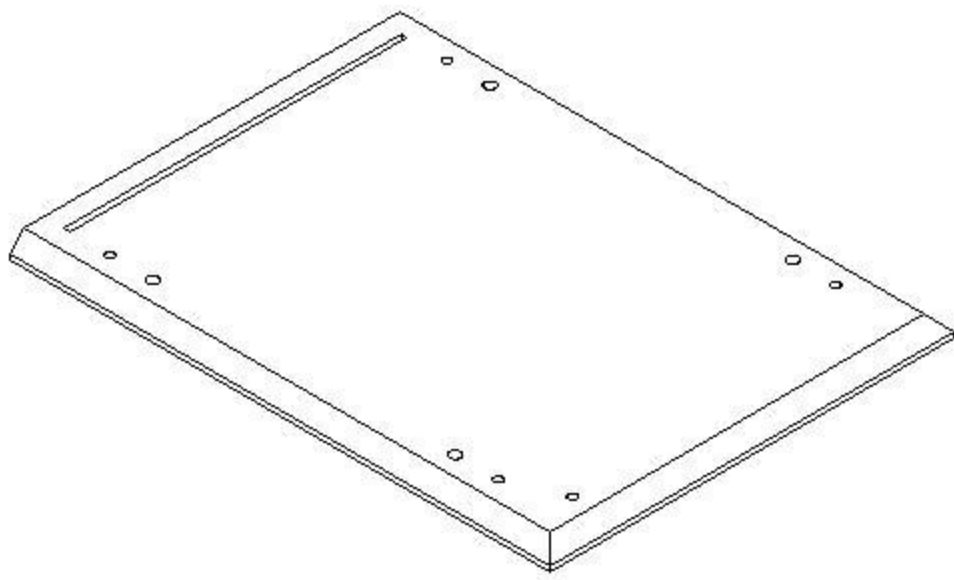
PEOPLE NEEDED FOR ASSEMBLY: 1-2

- Open your item in the area you plan to keep it to avoid excessive heavy lifting.
- Identify, sort and count the parts before attempting assembly.
- Compression dowels are lightly tapped in with a hammer.
- Slides are labeled with an **R** (right) and **L** (left) for proper placement.
- Make sure to always face the point on the top of the Cam Lock towards the outer edge.
- If there is a back panel in the package, please install it to make sure your unit is complete and sturdy.
- Please fix all the screws provided for the back panel which can enhance product stability. If it is difficult to fix it when tightening, it can be fixed with the help of a hammer and then tightened.
- Do NOT use harsh chemicals or abrasive cleaners on this item.
- Never push, pull, or drag your furniture.

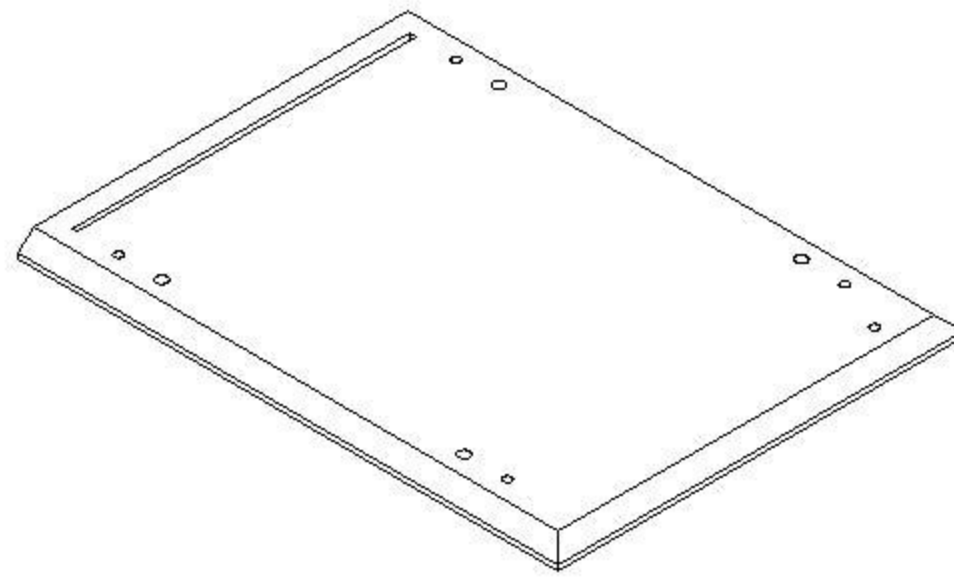


Board Identification

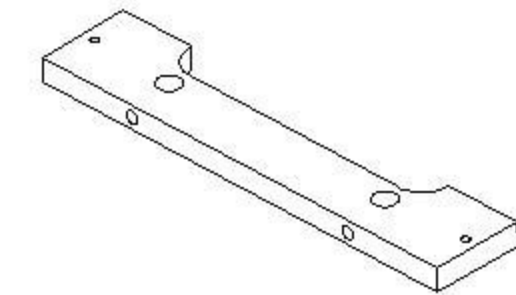
Not actual size



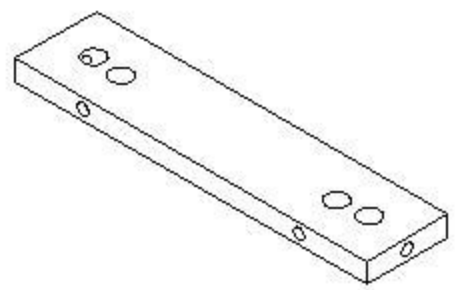
①
BOTTOM
Qty:1



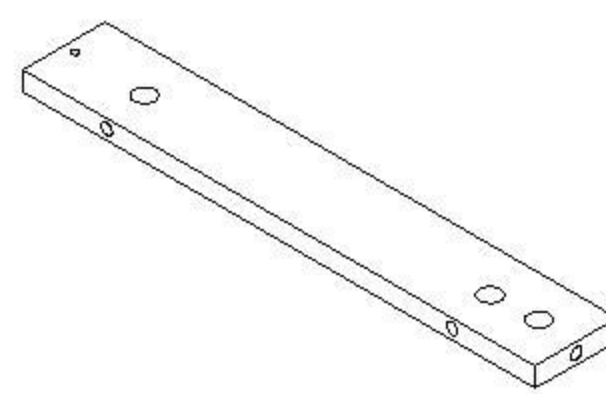
②
BOTTOM
Qty:1



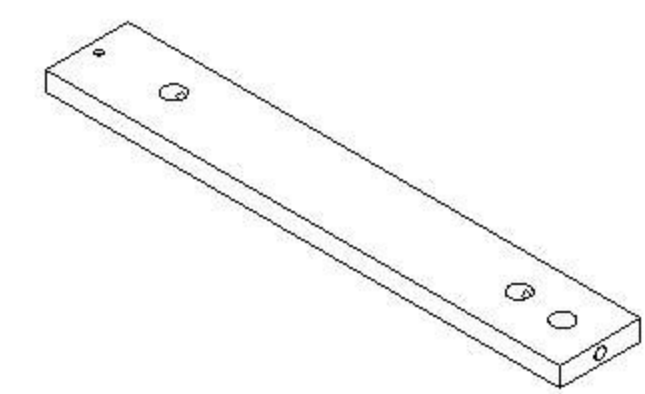
③
BOTTOM RAIL
Qty:2



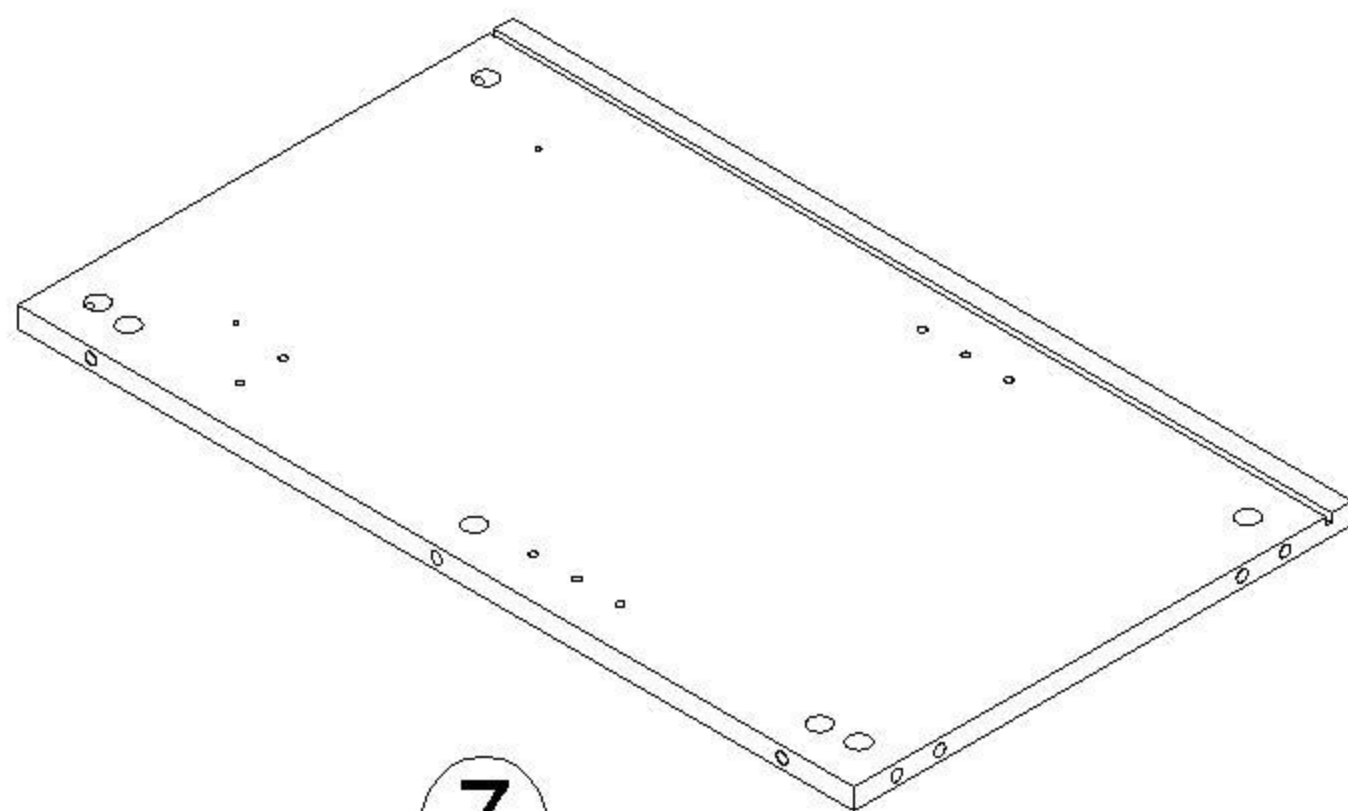
④
BOTTOM RAIL
Qty:2



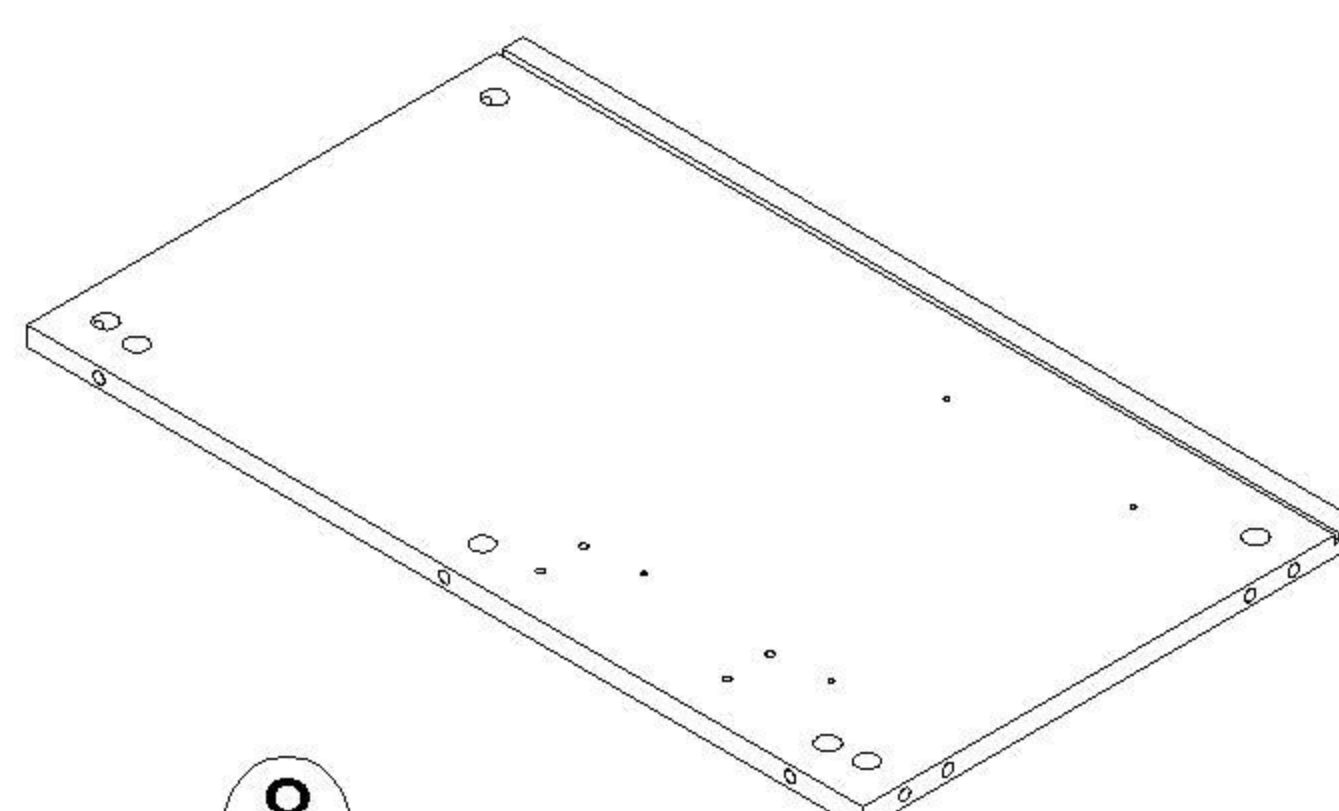
⑤
BOTTOM RAIL
Qty:2



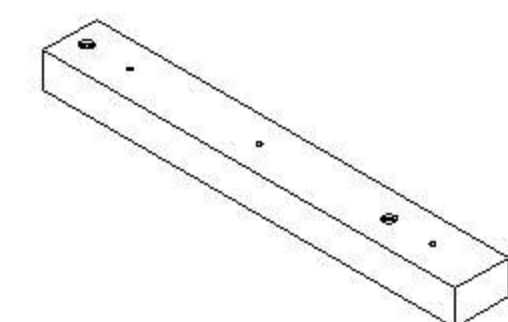
⑥
BOTTOM RAIL
Qty:2



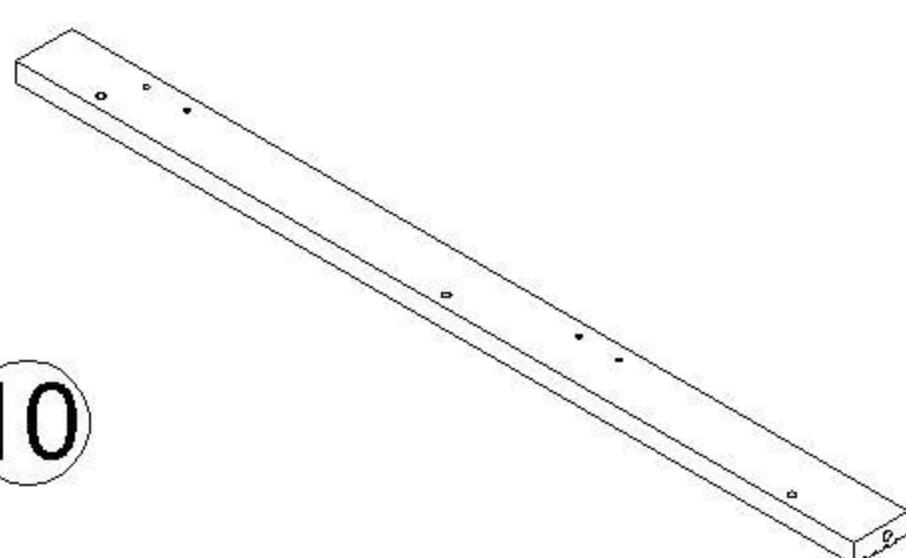
⑦
LEFT SIDE PANEL
Qty:1



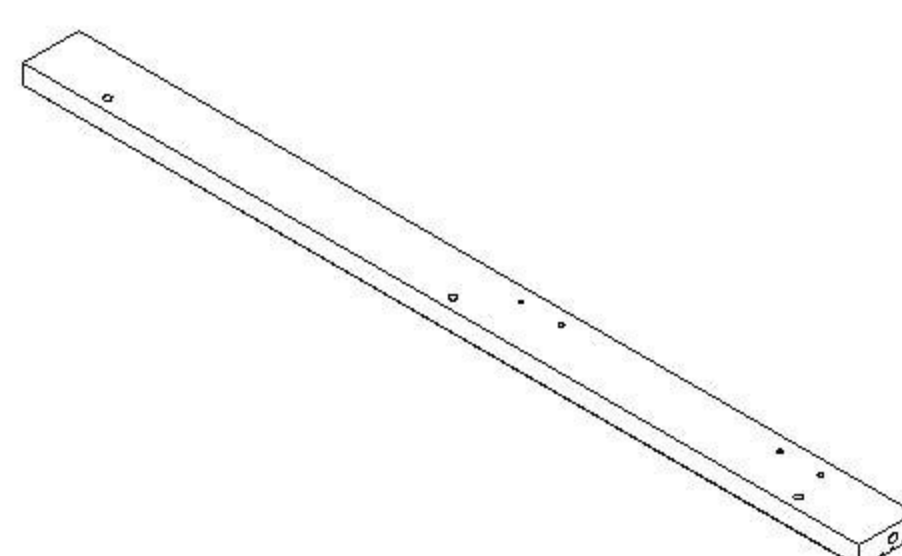
⑧
RIGHT SIDE PANEL
Qty:1



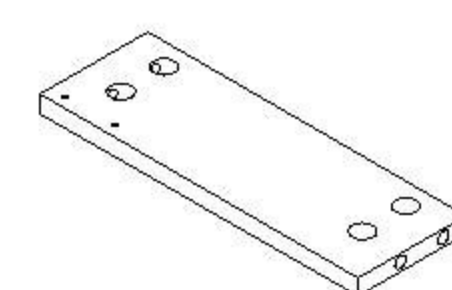
⑨
FILLER LATH FOR RUNNER
Qty:3



⑩
LOWER LEFT VERTICAL LATH
QTY:1



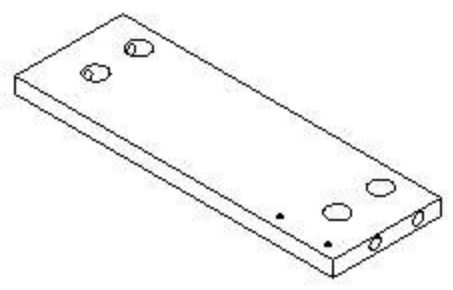
⑪
LOWER RIGHT VERTICAL LATH
QTY:1



⑫
RAIL
QTY:1

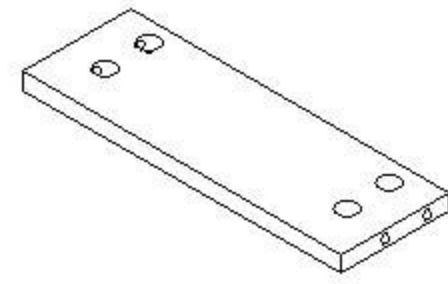
Board Identification

Not actual size



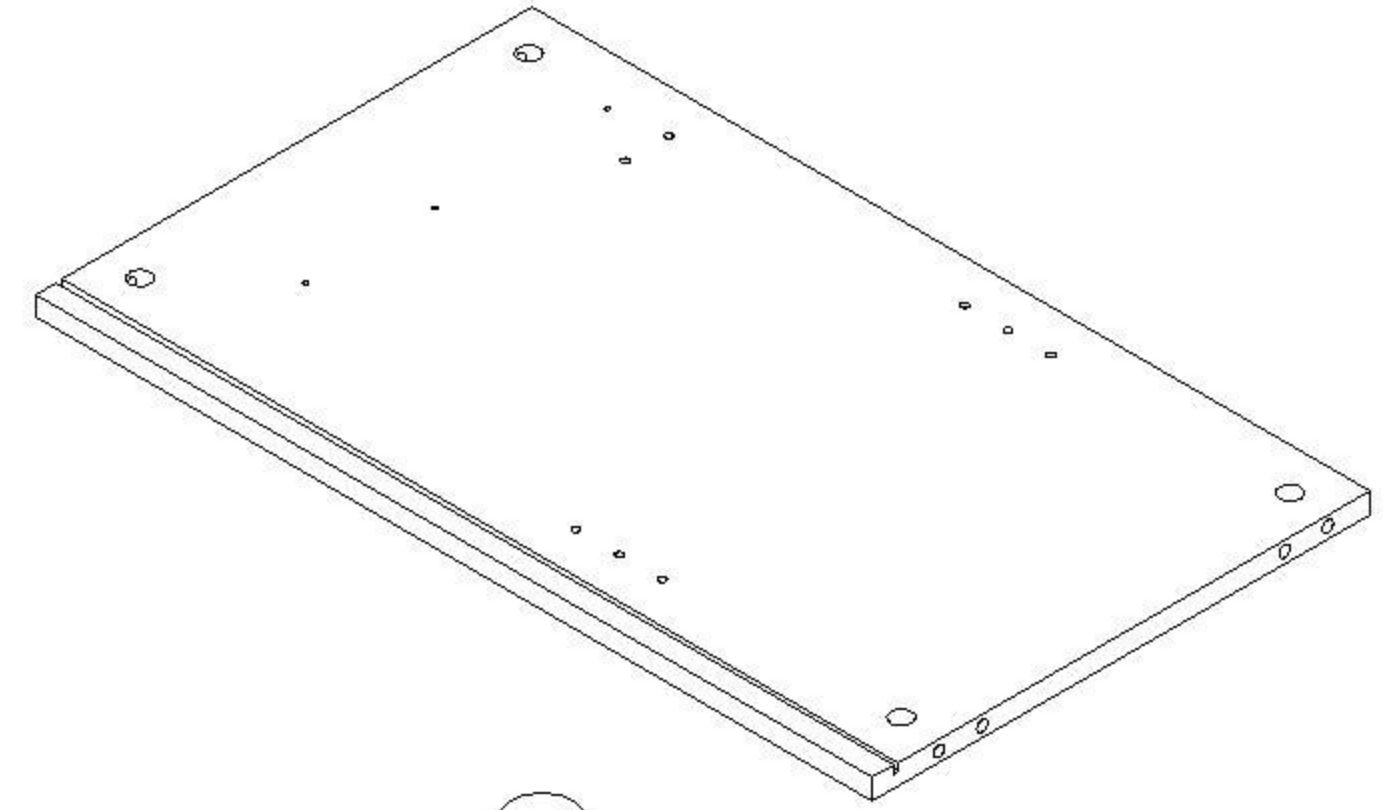
13

RALL
Qty:1



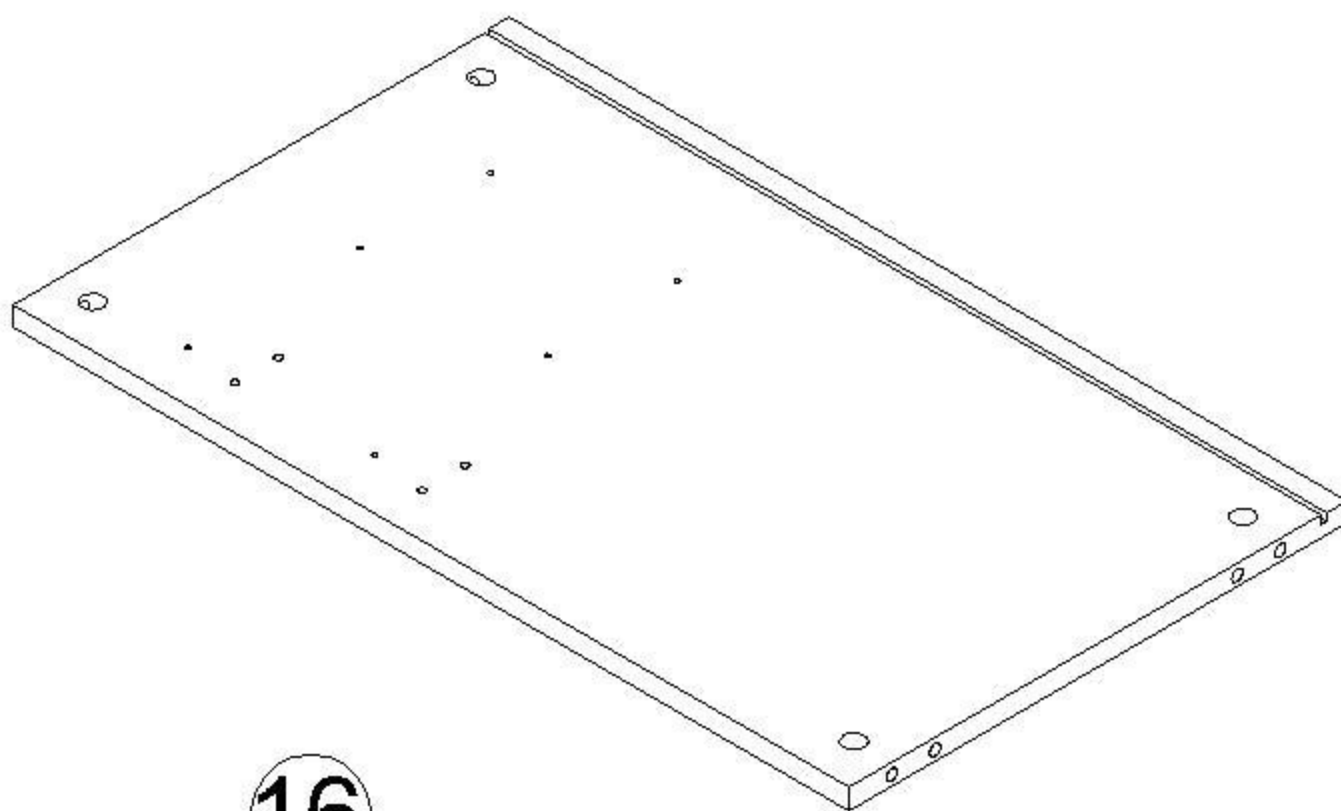
14

RALL
Qty:1



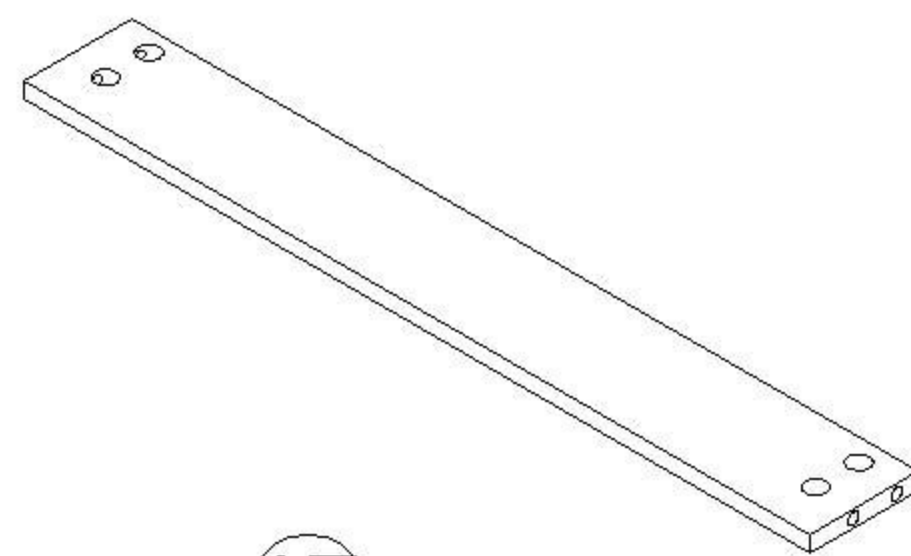
15

PARTITION PANEL
Qty:1



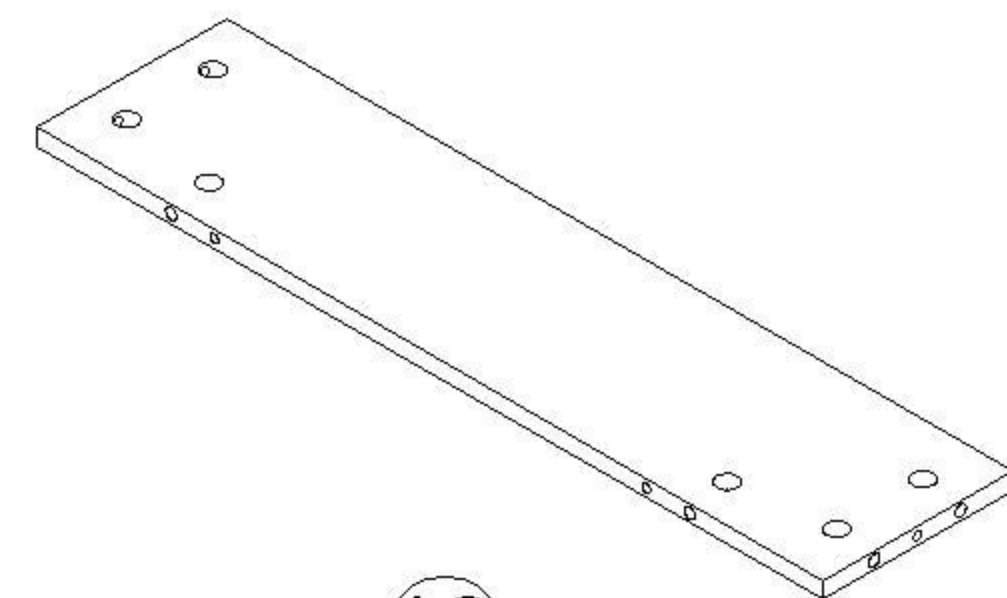
16

PARTITION PANEL
Qty:1



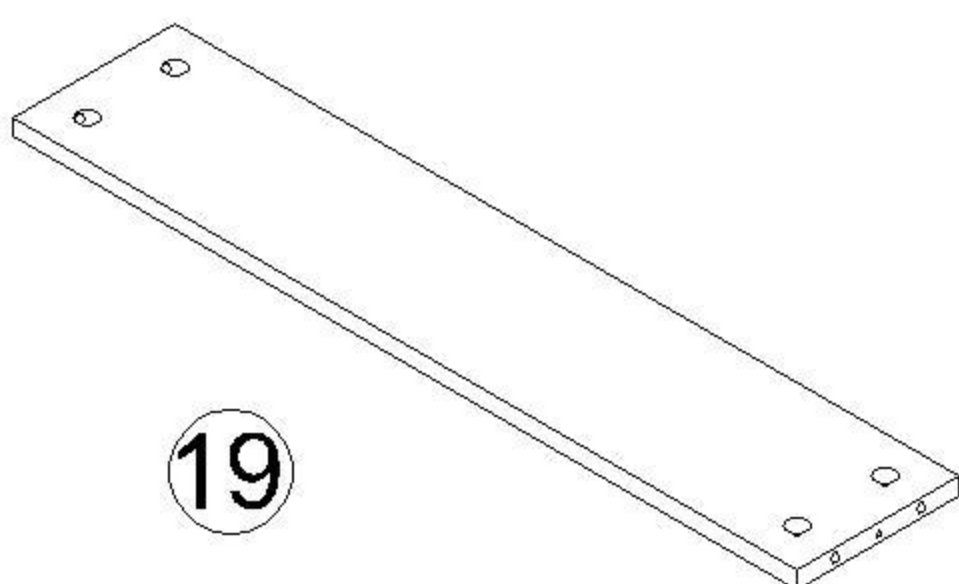
17

FRONT SLAT PANEL
Qty:1



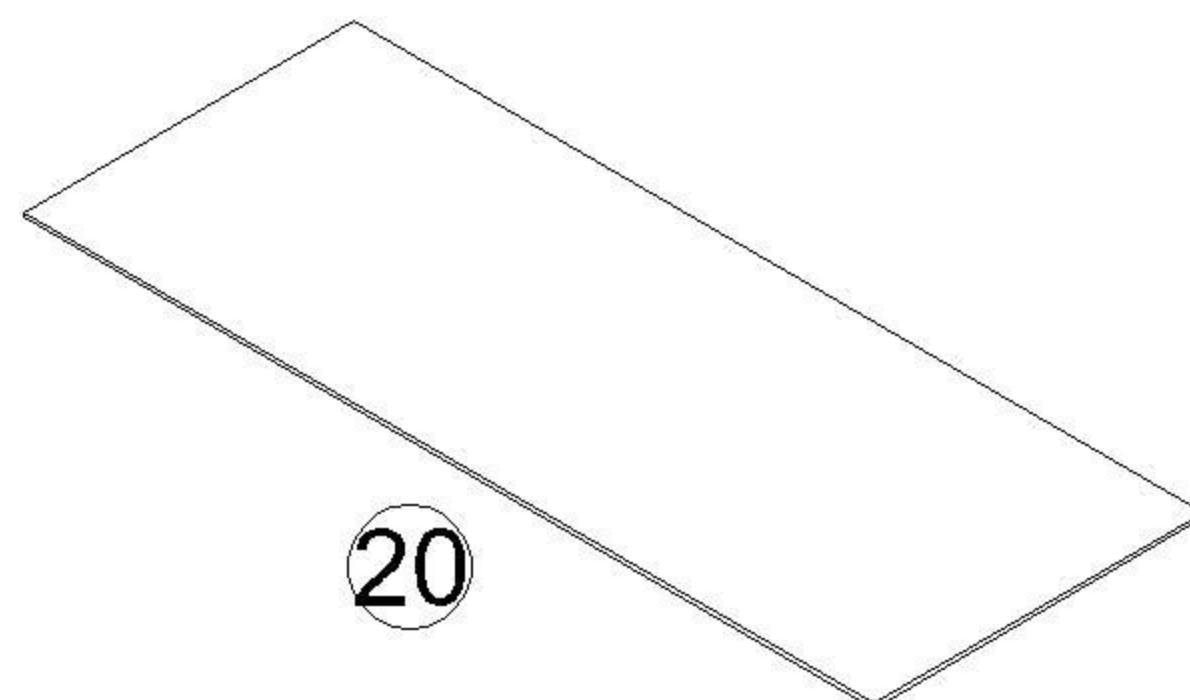
18

DESK BACK BOARD
Qty:1



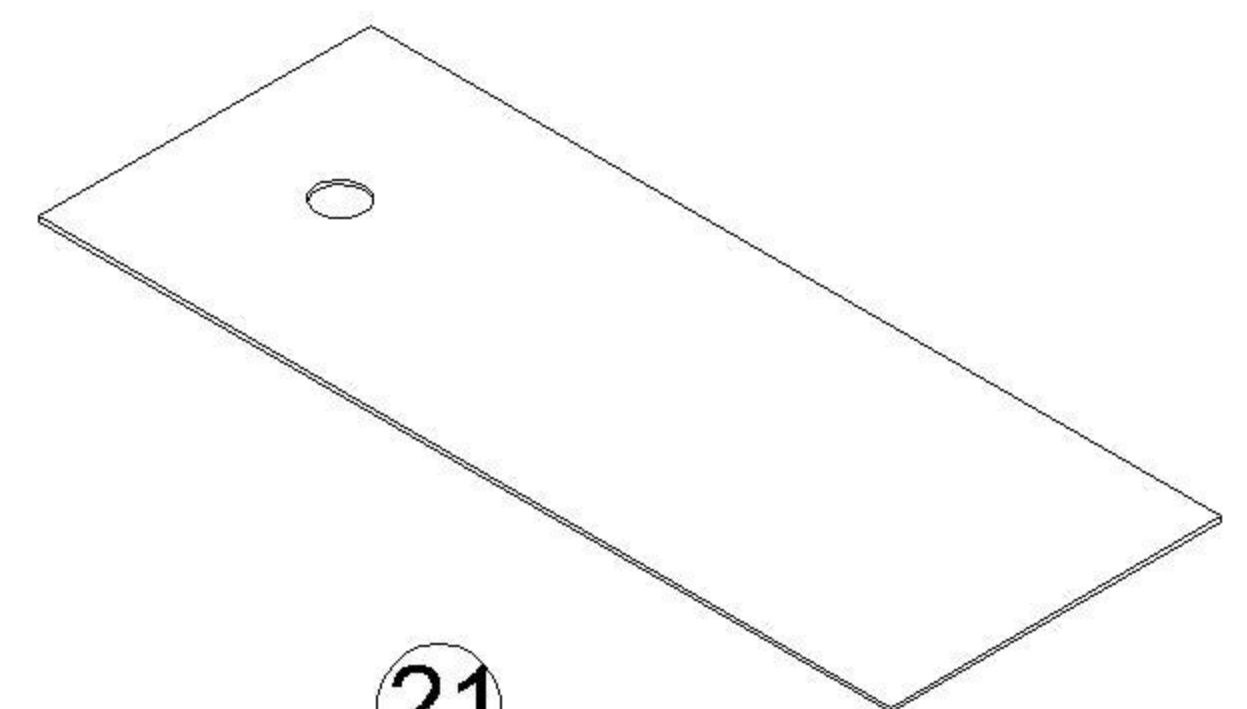
19

REAR PANEL
Qty:1



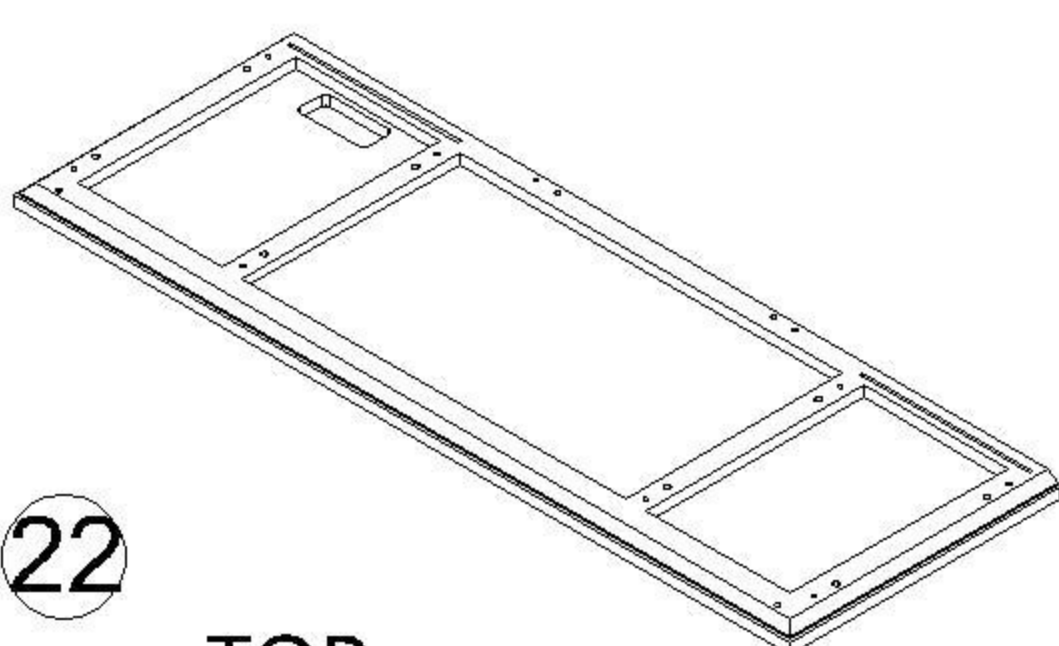
20

LOWER LEFT REAR PANEL
Qty:1



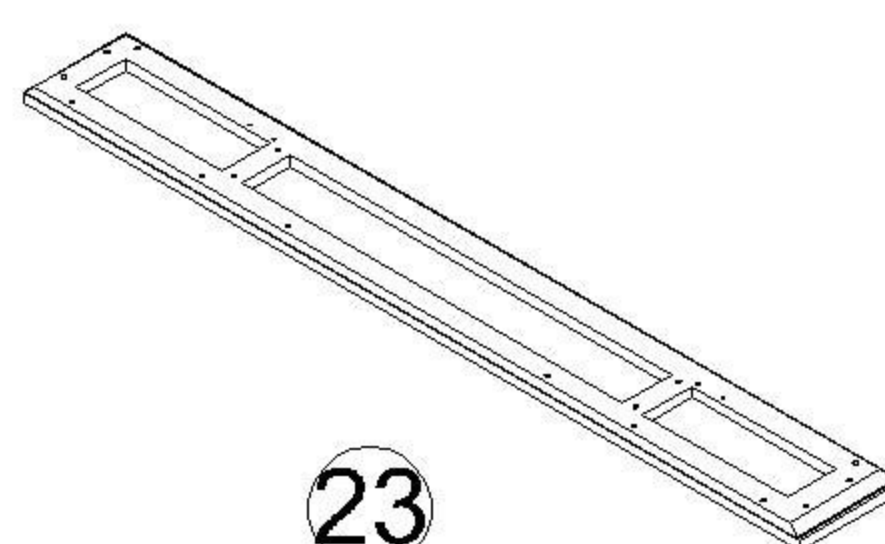
21

LOWER RIGHT REAR PANEL
Qty:1



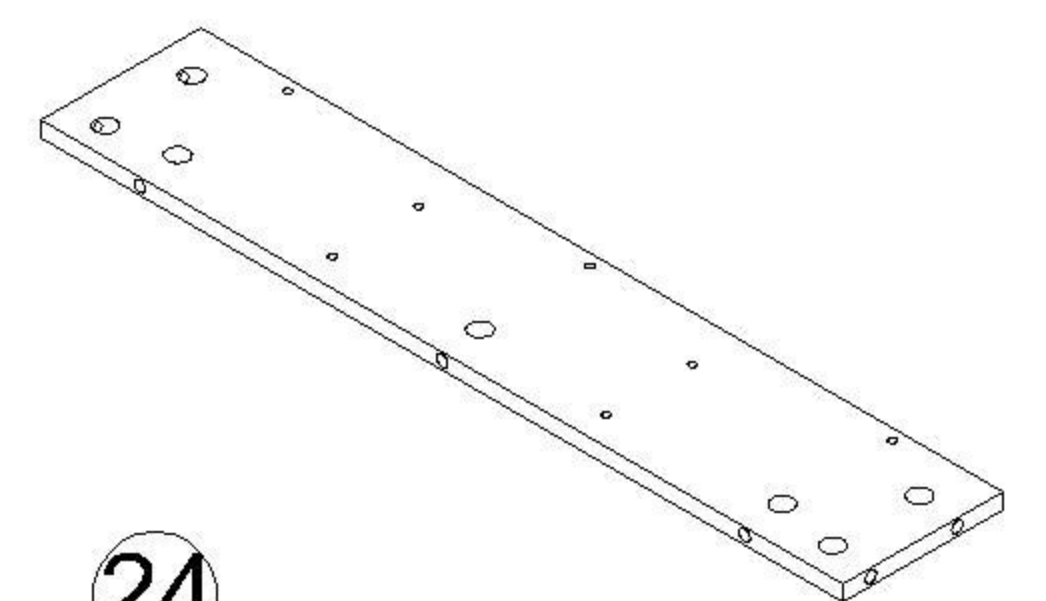
22

TOP
Qty:1



23

TOP
Qty:1

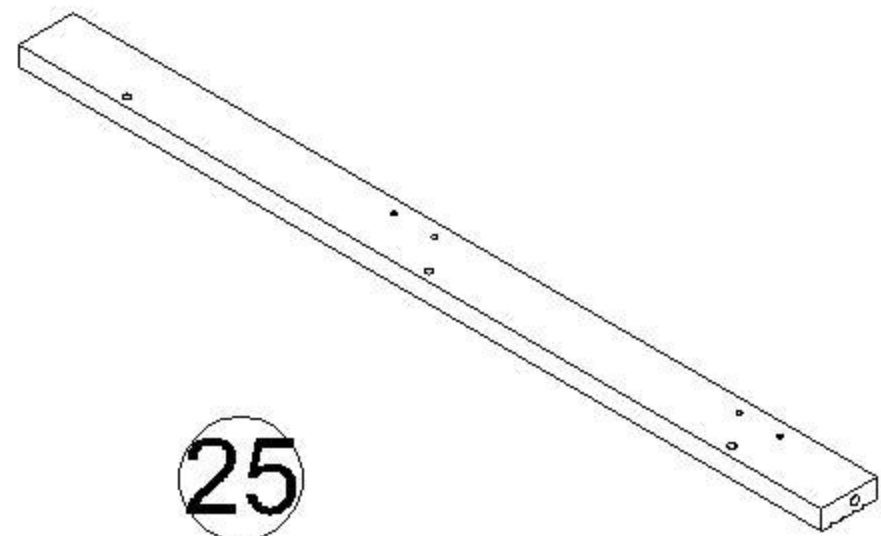


24

UPPER SIDE PANEL
Qty:2

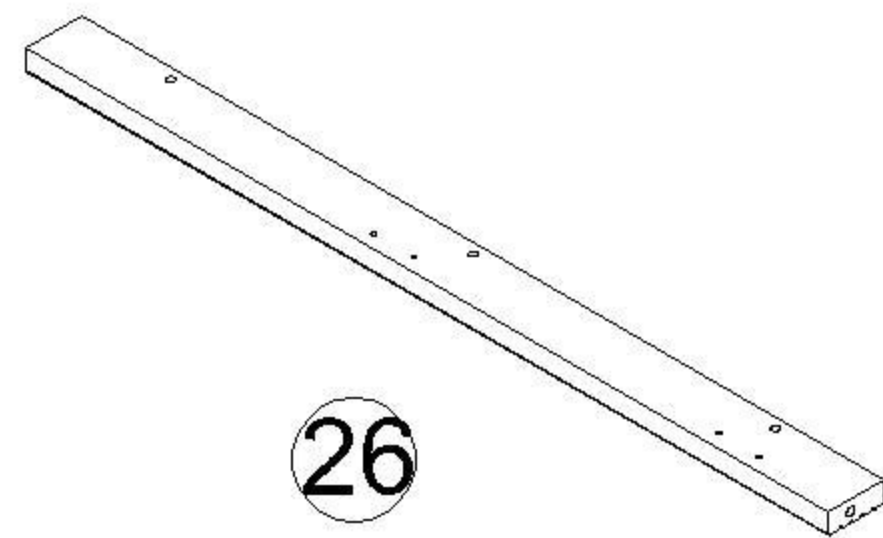
Board Identification

Not actual size



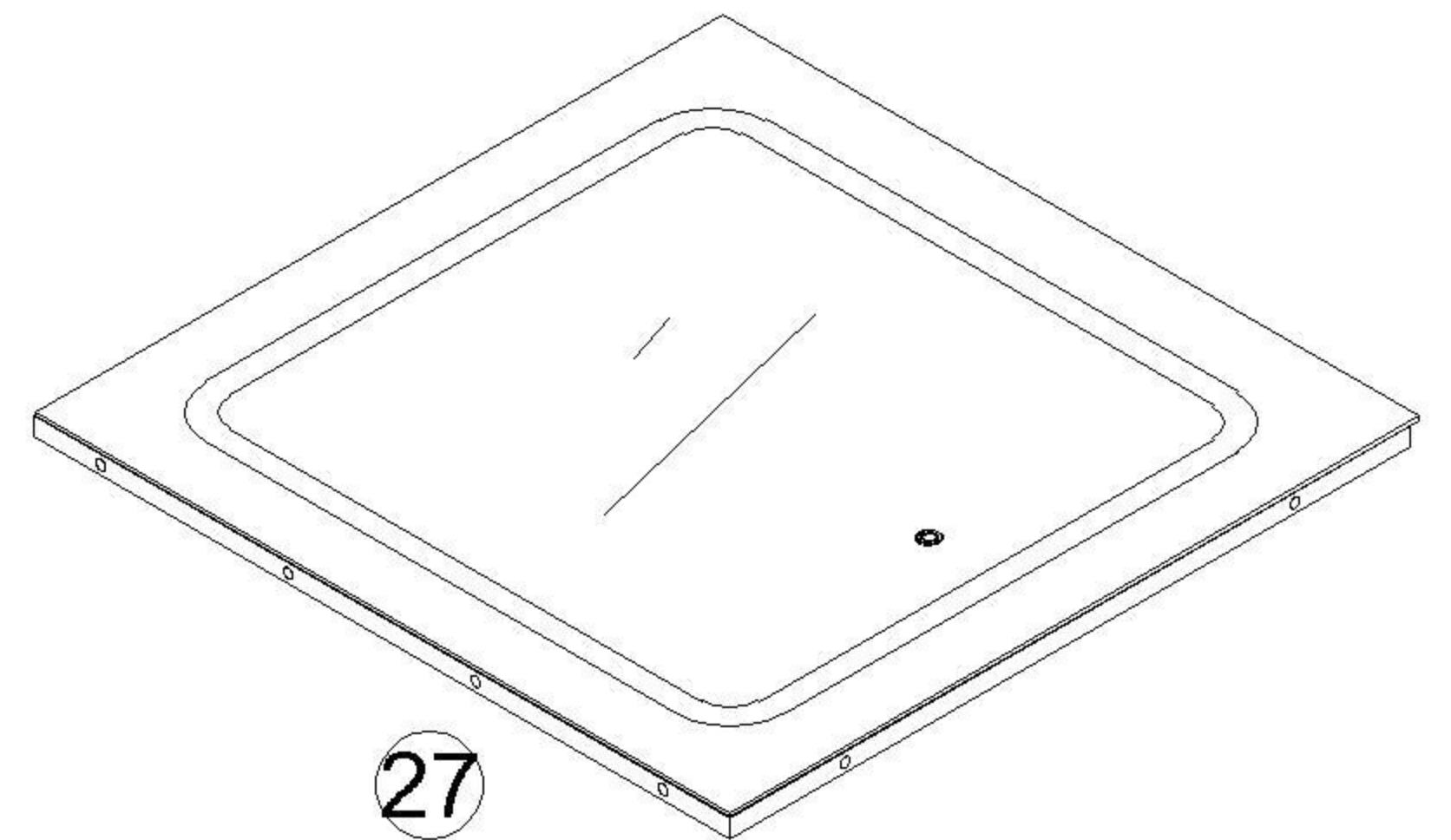
25

UPPER LEFT VERTICAL LATH
Qty:1



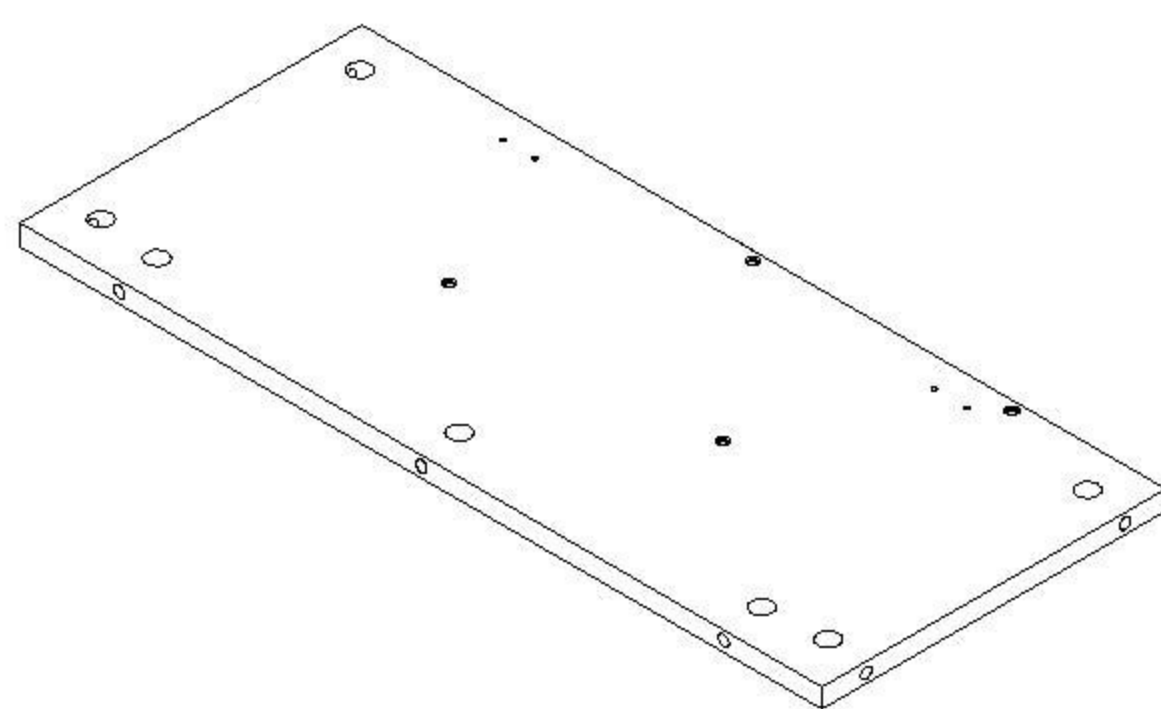
26

UPPER RIGHT VERTICAL LATH
Qty:1



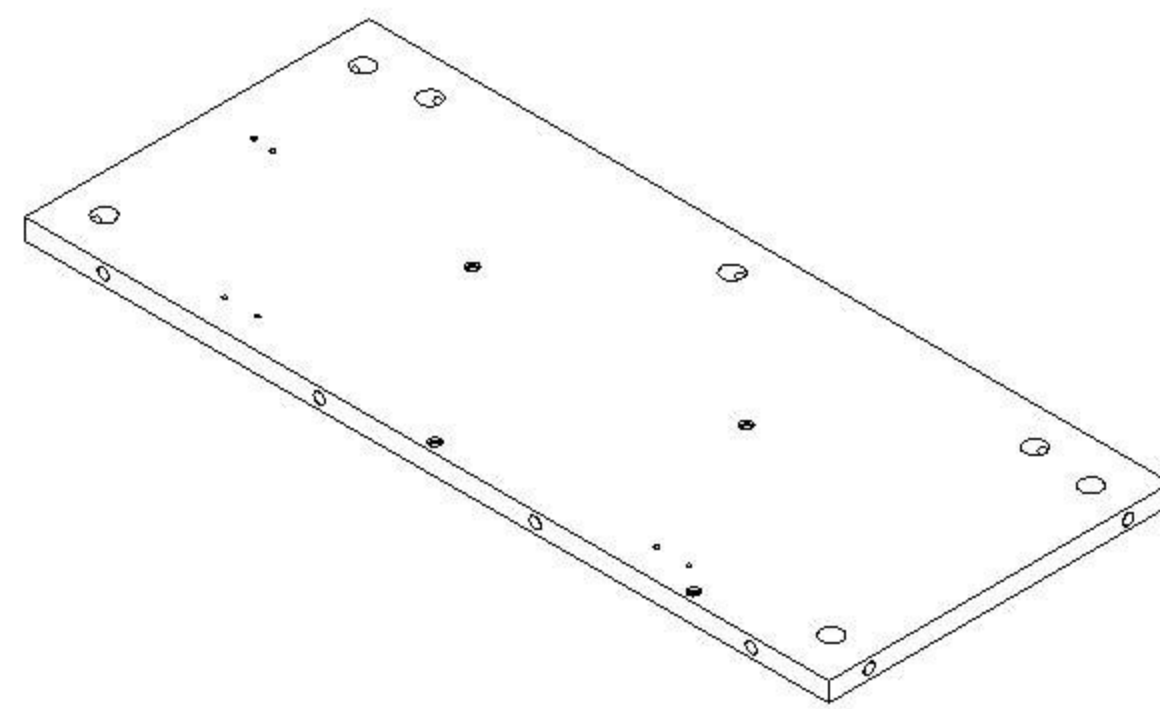
27

DRESSING MIRROR
Qty:1



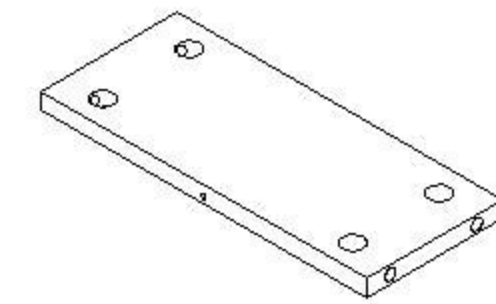
28

UPPER BACKPANEL
Qty:1



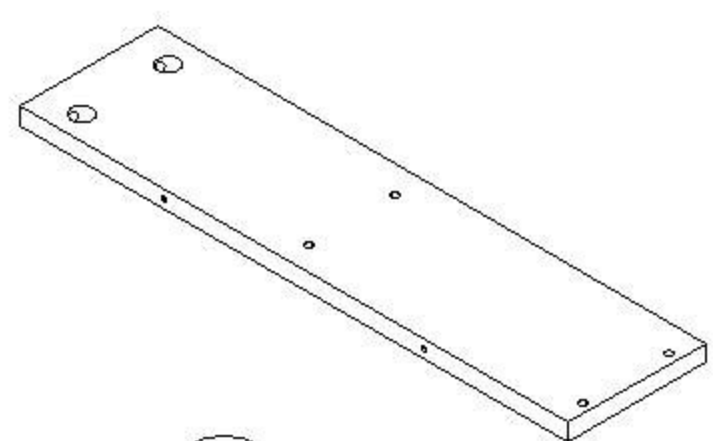
29

UPPER BACKPANEL
Qty:1



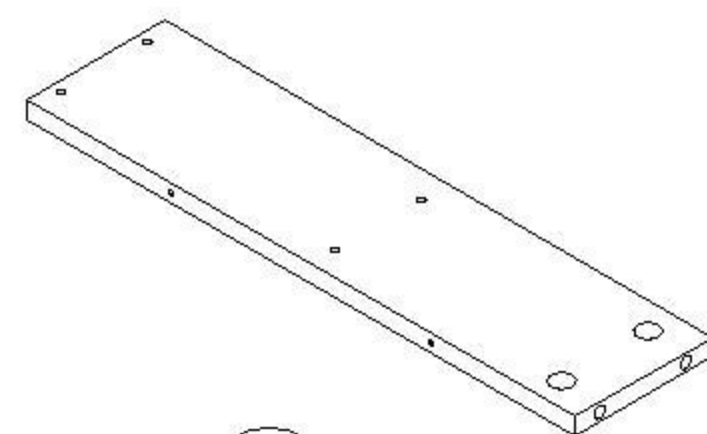
30

FIXED SHELF
Qty:4



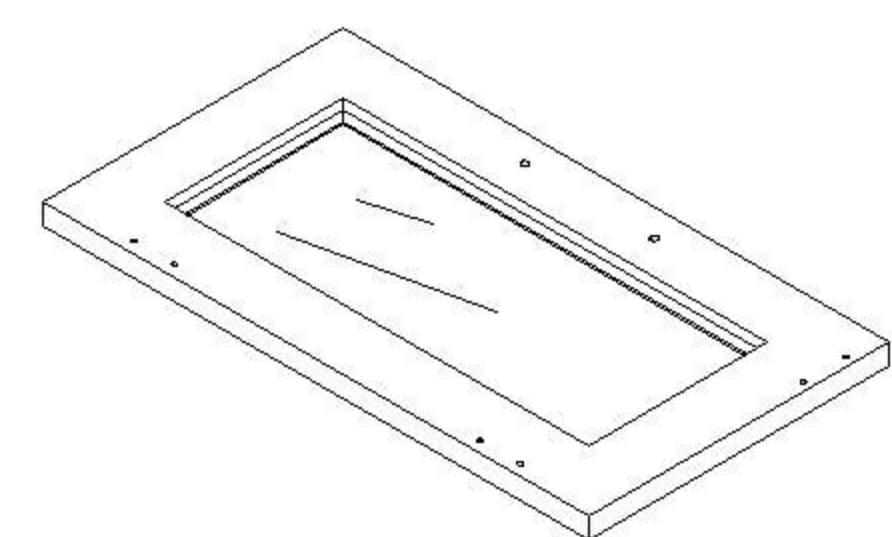
31

UPPER LEFT SIDE PANEL
Qty:1



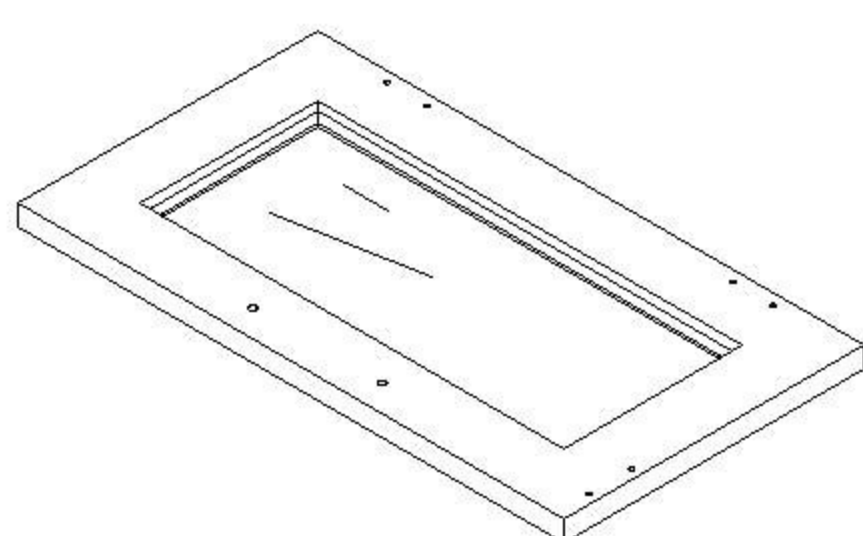
32

UPPER RIGHT SIDE PANEL
Qty:1



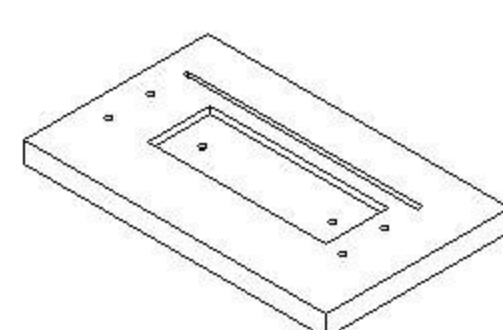
33

DOOR
Qty:1



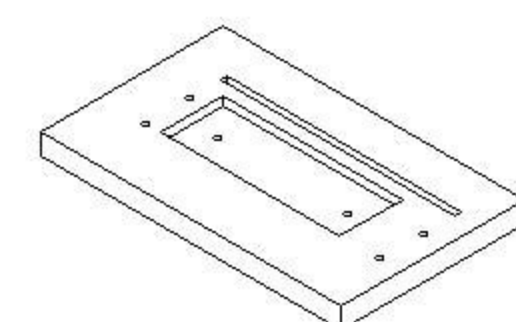
34

DOOR
Qty:1



35

SMALL DRAWER FRONT
Qty:1

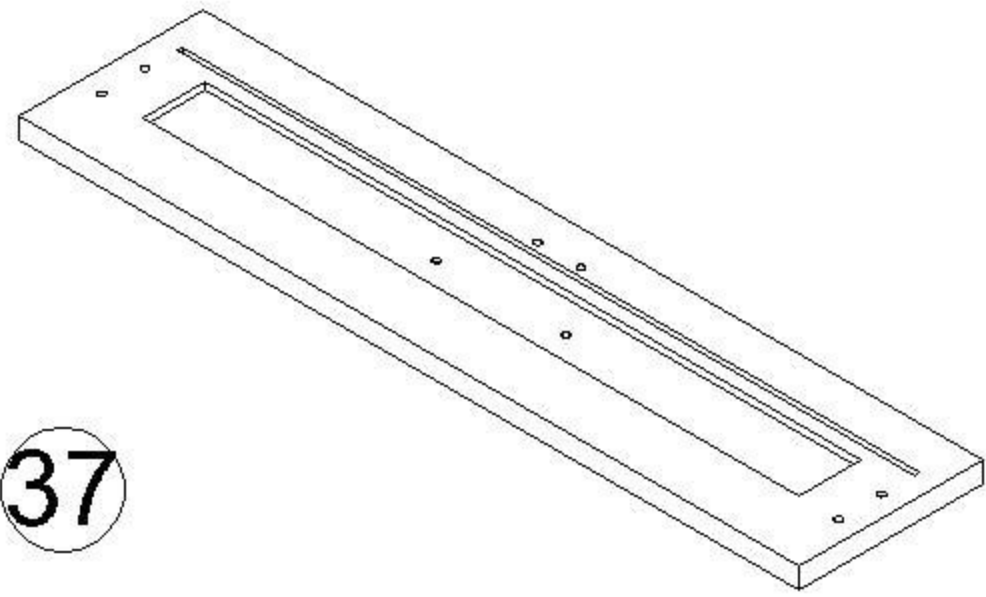


36

SMALL DRAWER FRONT
Qty:2

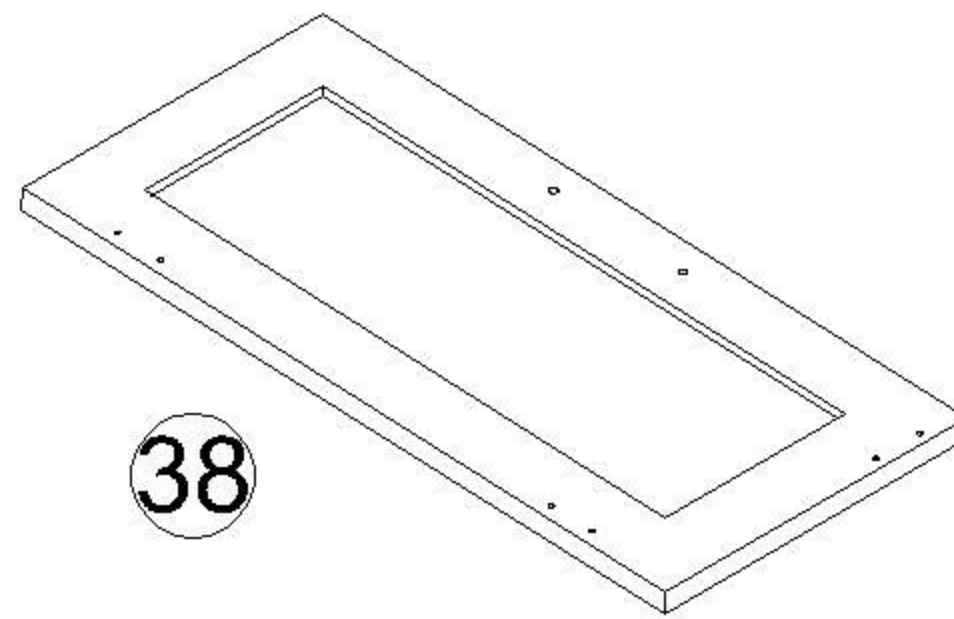
Board Identification

Not actual size



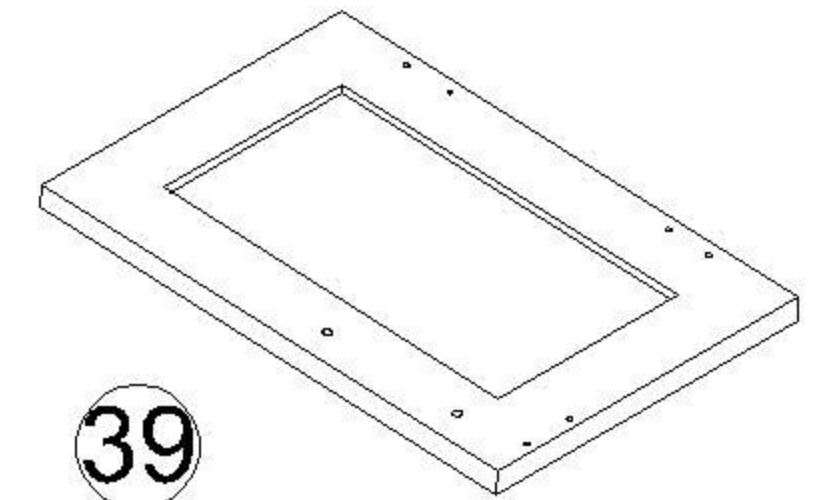
37

LARGE DRAWER FRONT
Qty:1



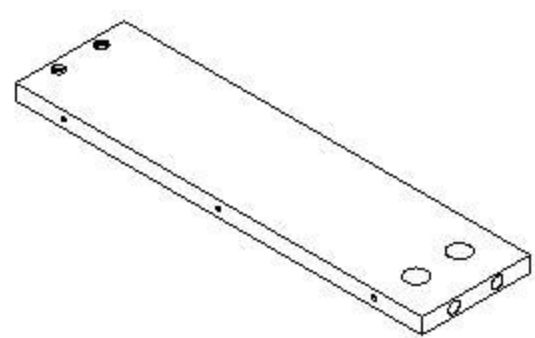
38

DOOR
Qty:1



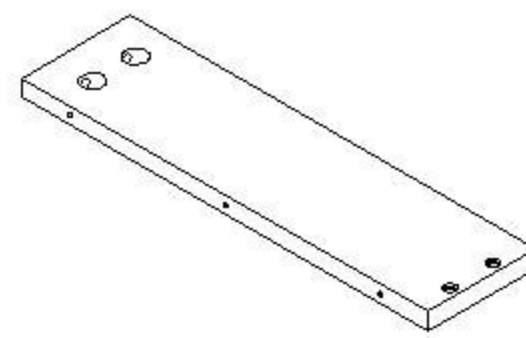
39

DOOR
Qty:1



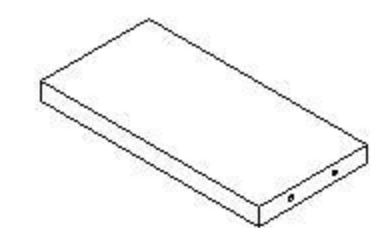
40

DRAWER LEFT PANEL
Qty:4



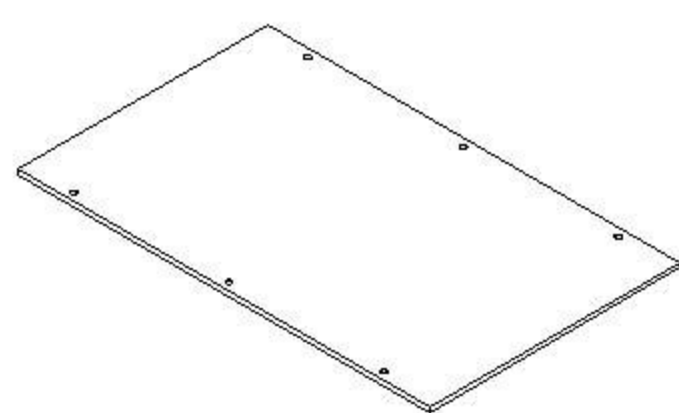
41

DRAWER RIGHT PANEL
Qty:4



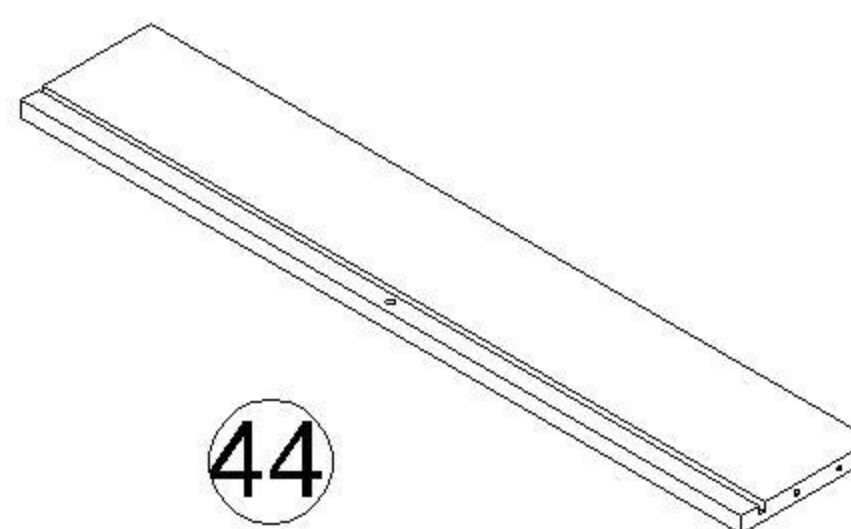
42

DRAWER BACK PANEL
Qty:3



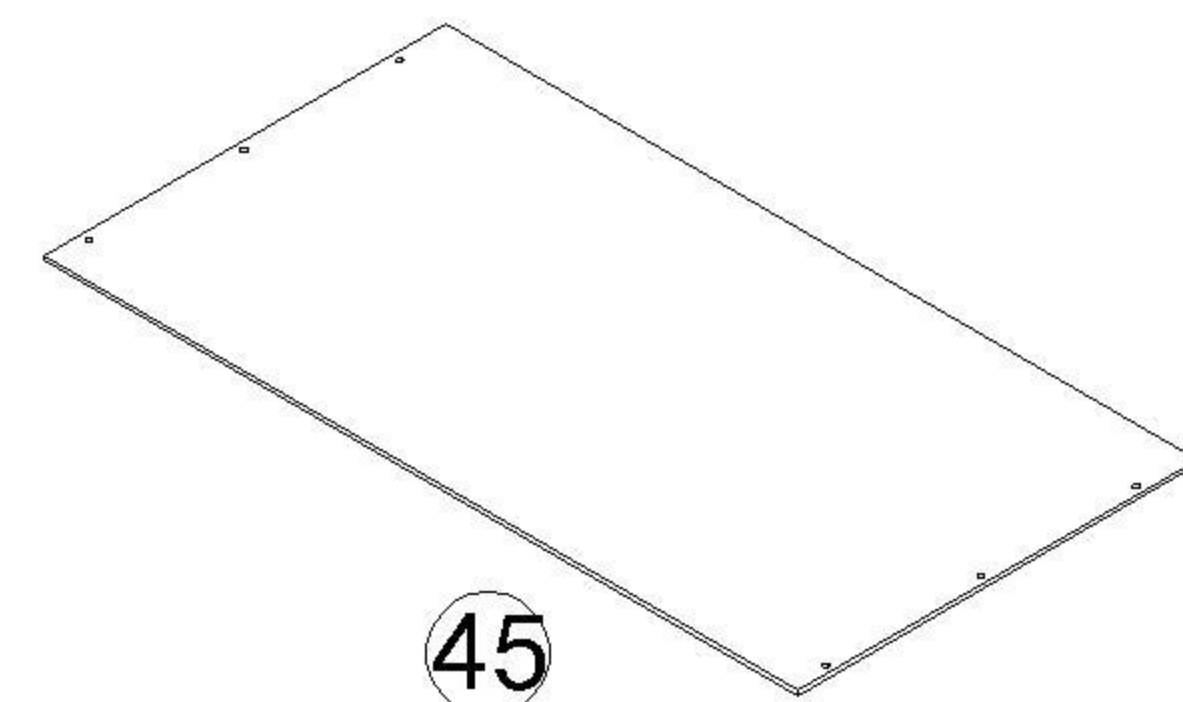
43

BOTTOM OF DRAWER
Qty:3



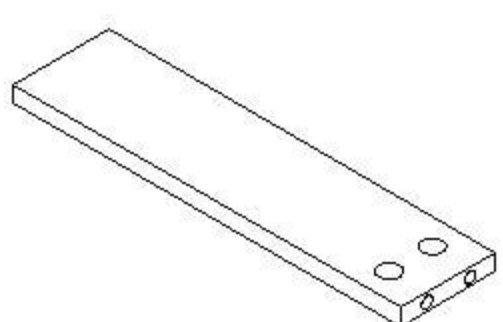
44

DRAWER BACK PANEL
Qty:1



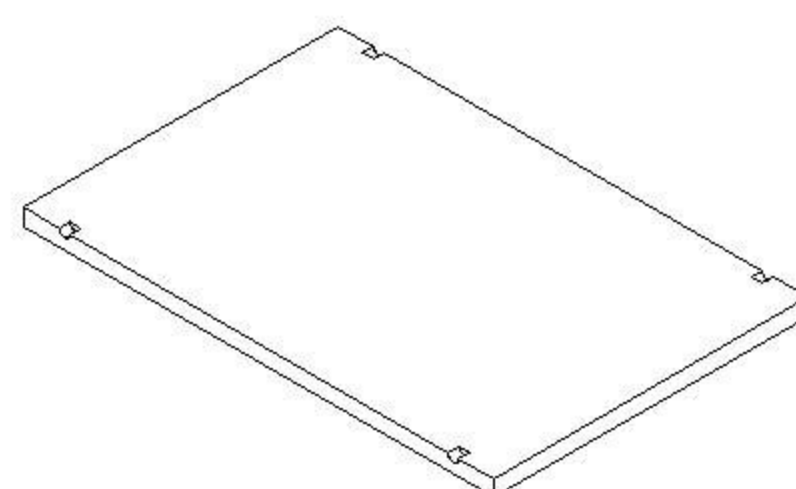
45

BOTTOM OF DRAWER
Qty:1



46

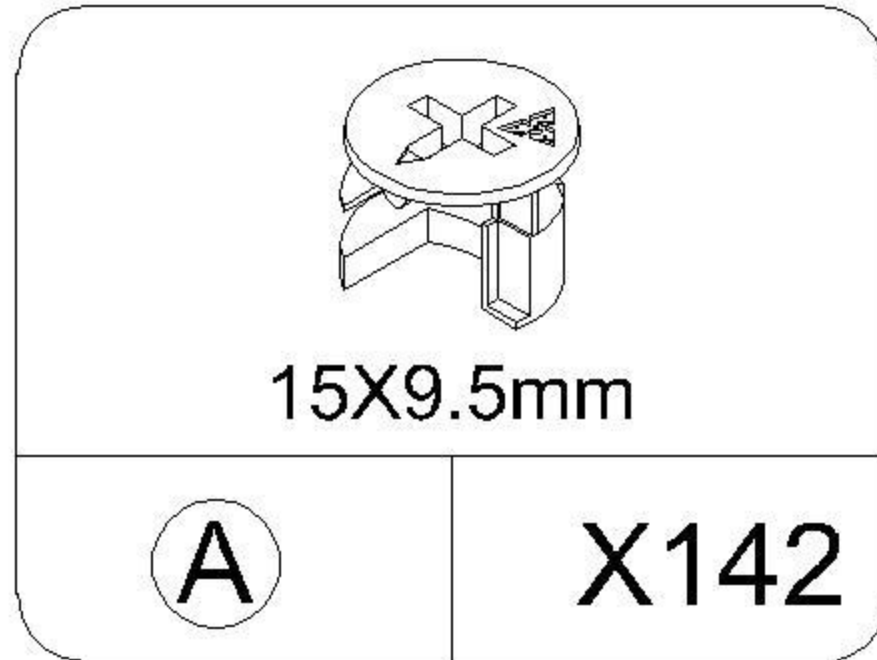
FRONT CROSS MEMBER
QTY:1



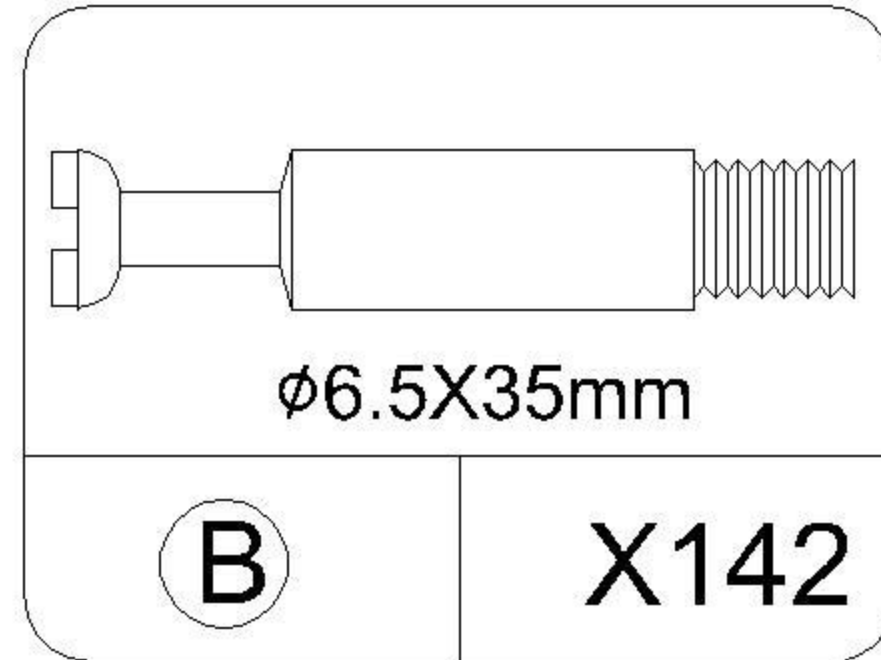
47

ADJUSTABLE SHELF
Qty:1

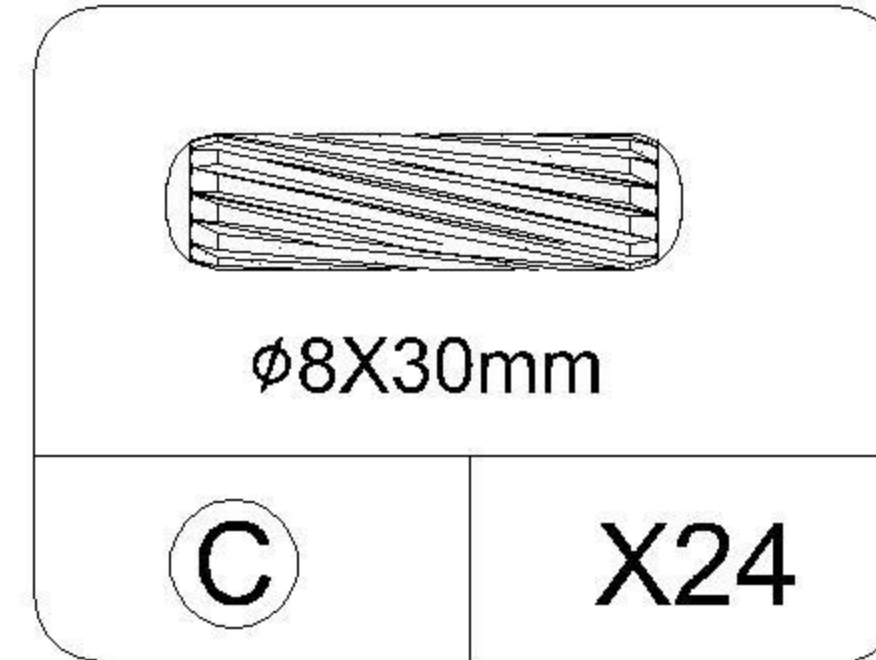
Part List



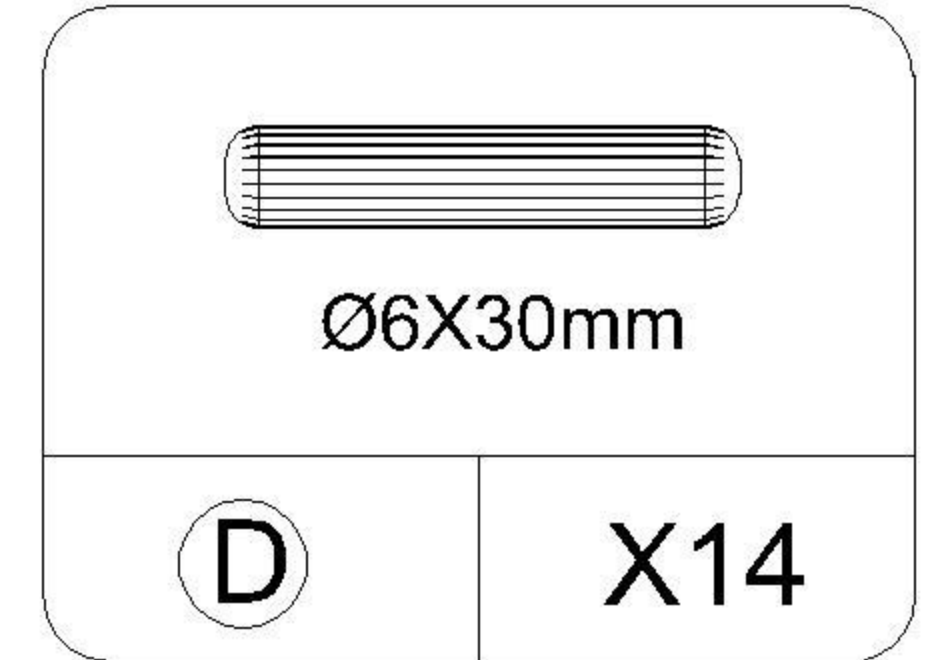
CAM LOCK
spare:3



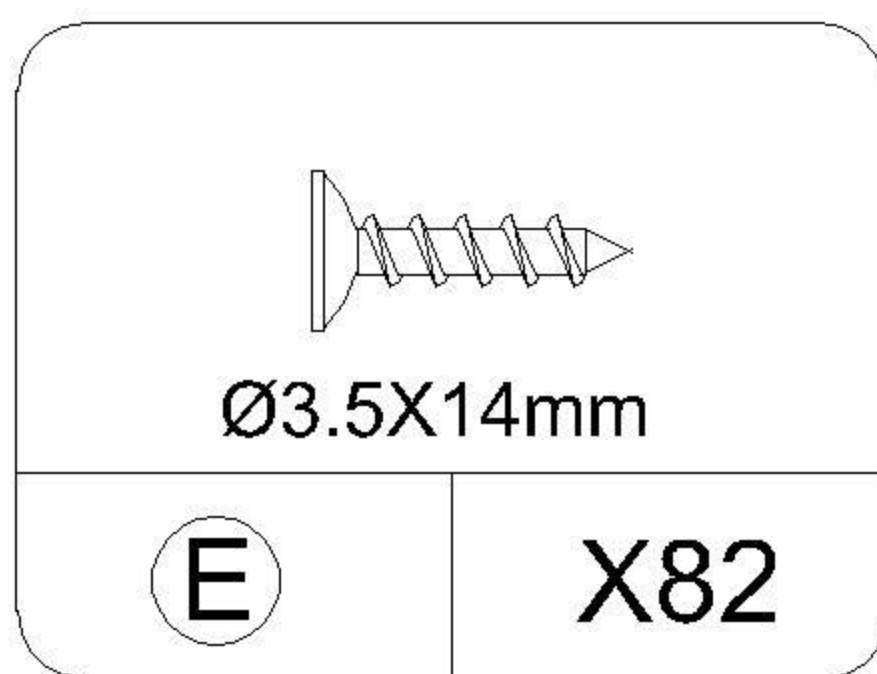
CAM BOLT
spare:3



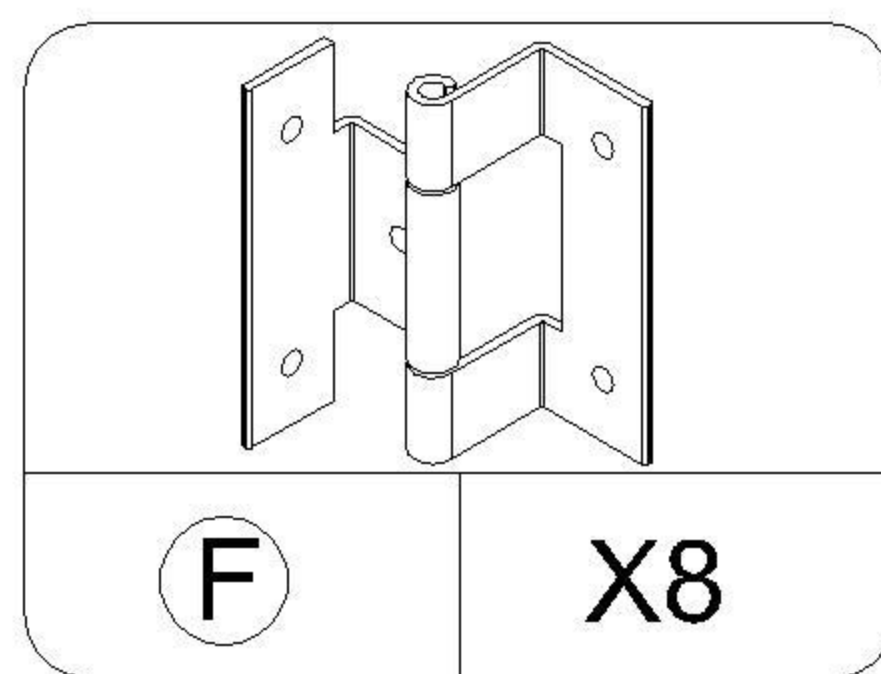
WOOD DOWEL
spare:3



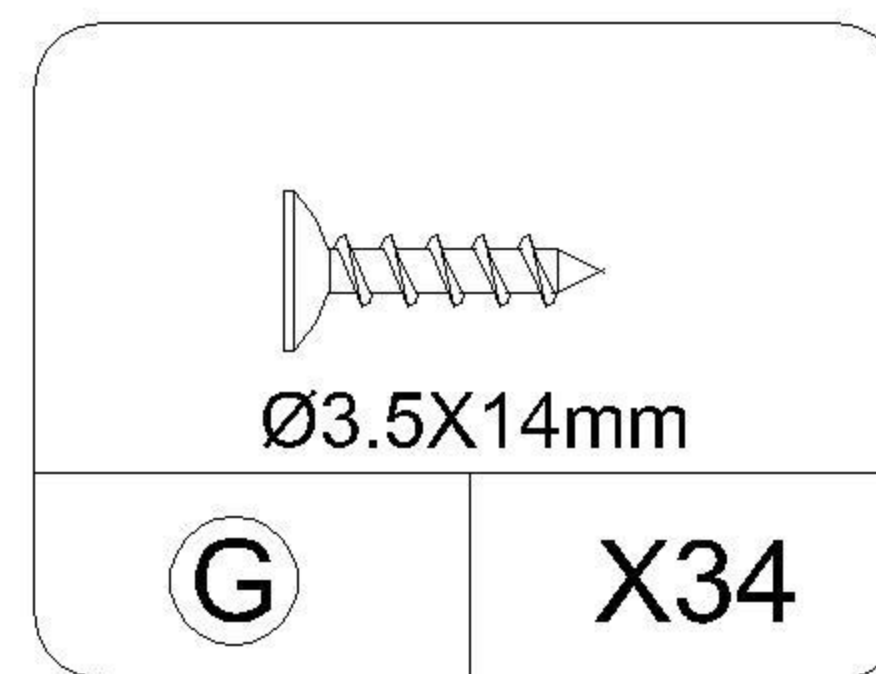
WOOD DOWEL
spare:2



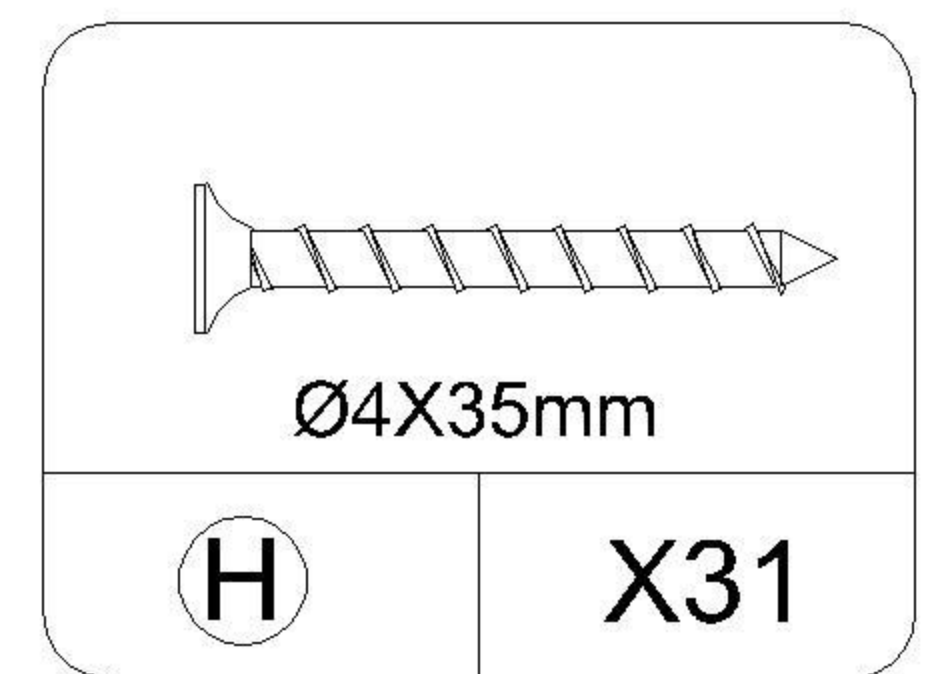
SCREW
spare:3



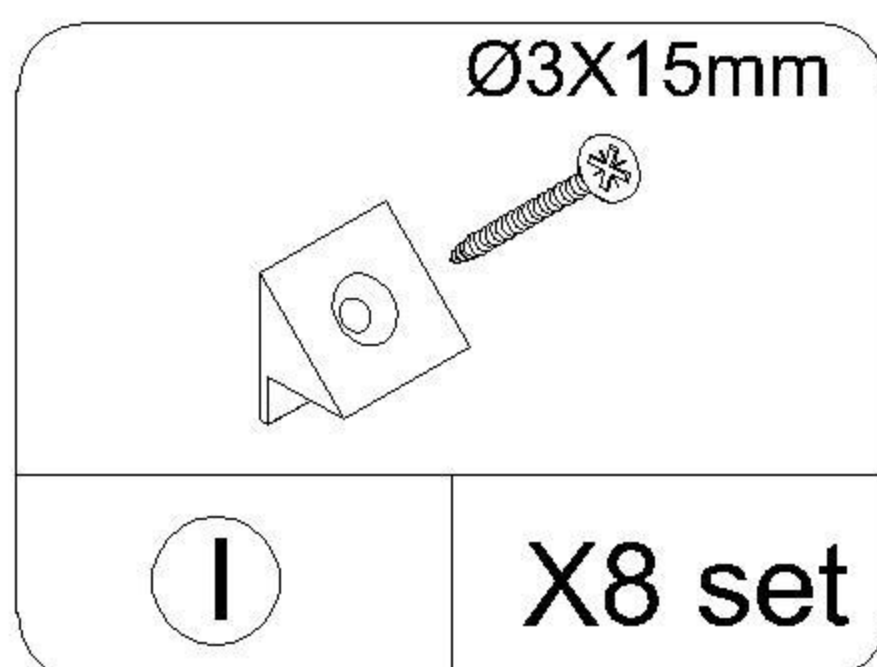
HANGE



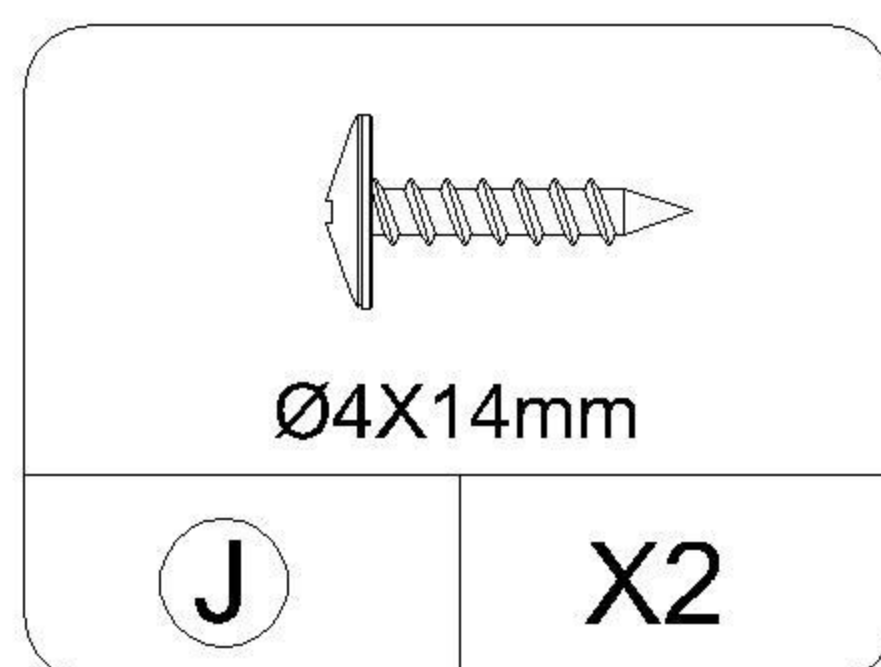
SCREW
spare:3



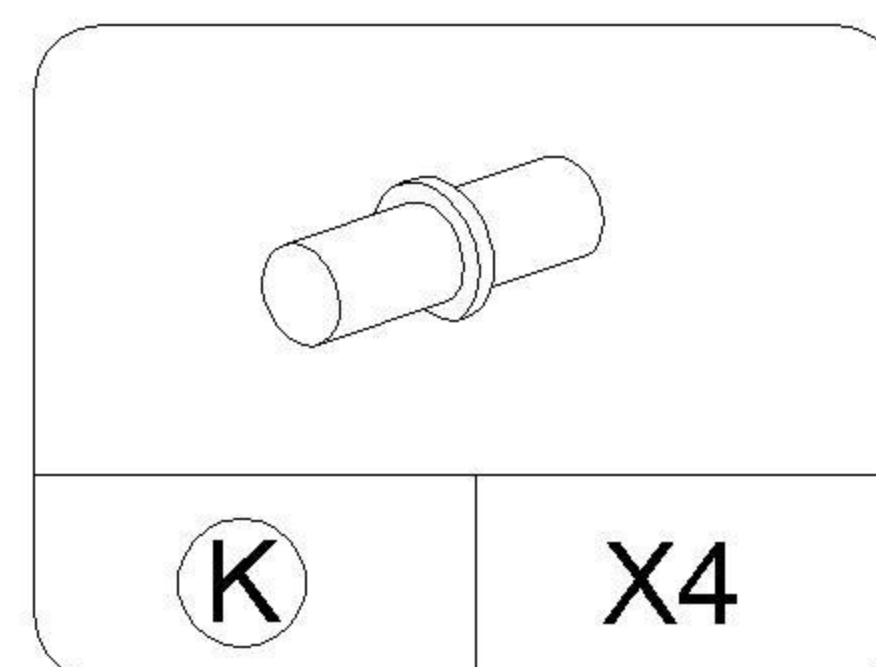
SCREW
spare:3



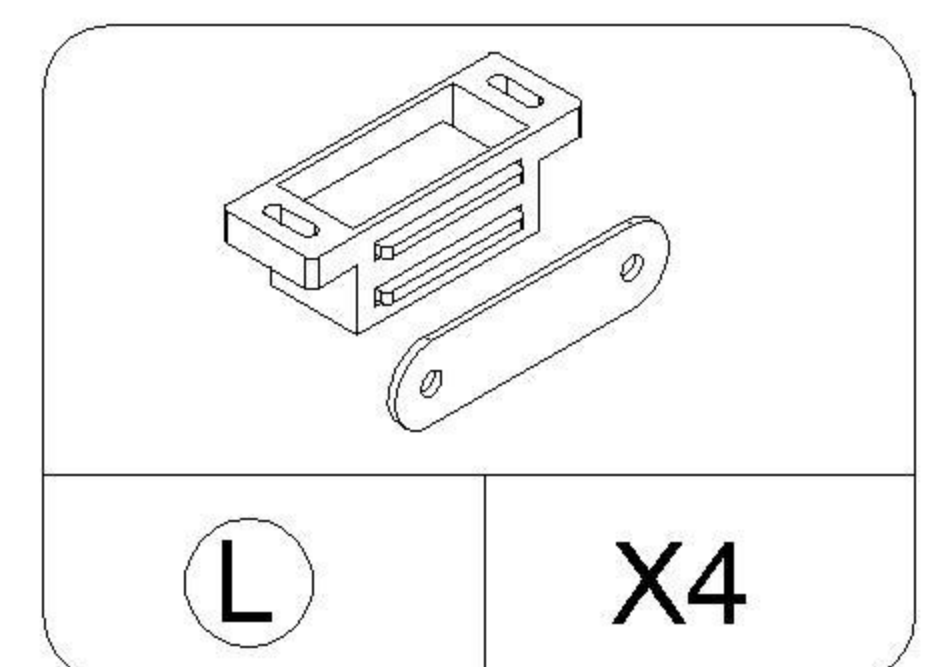
BACK PANEL BUCKLE
spare:1



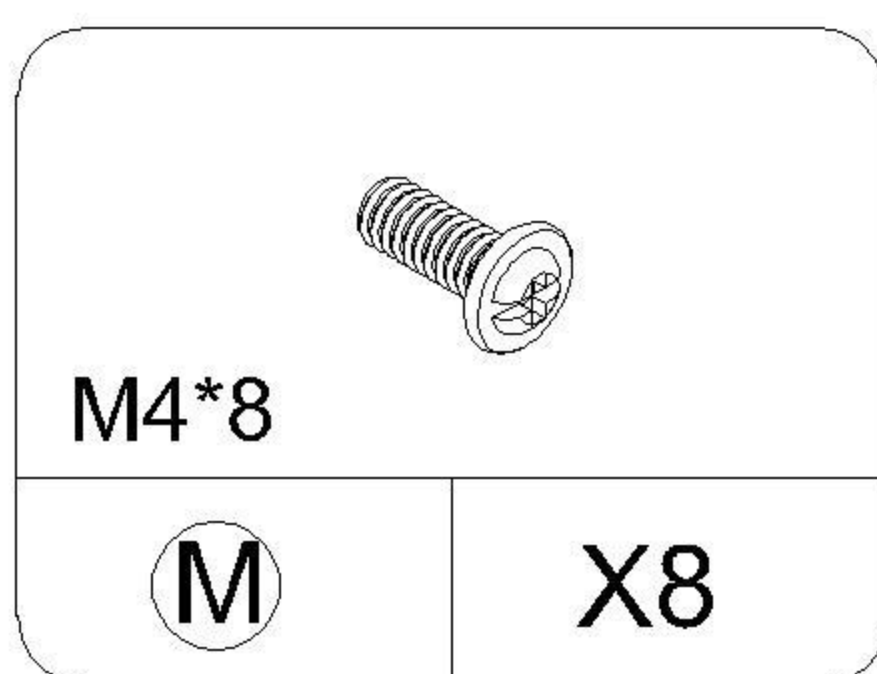
SCREW
spare:1



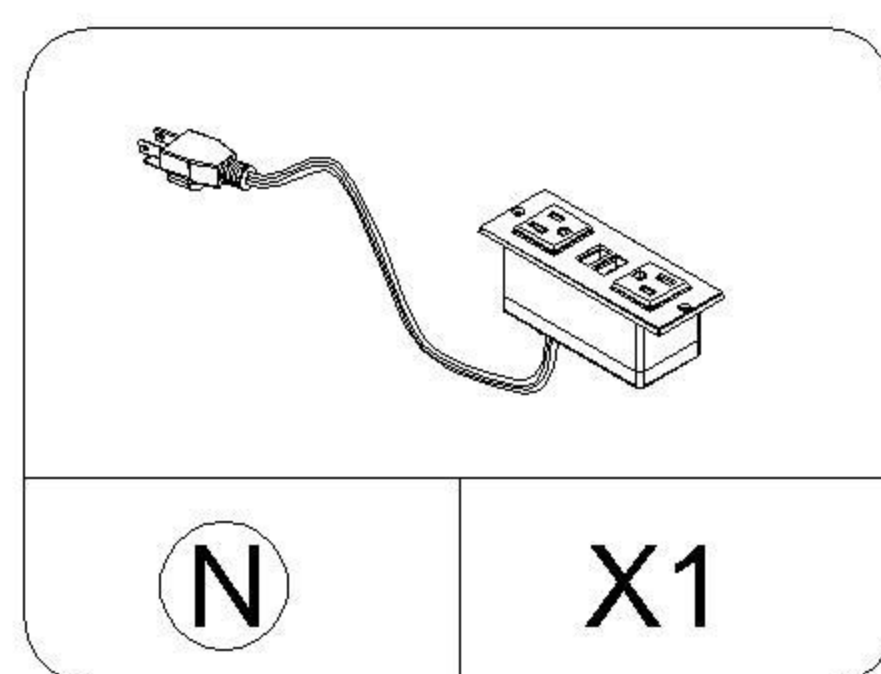
SHELF SUPPORT



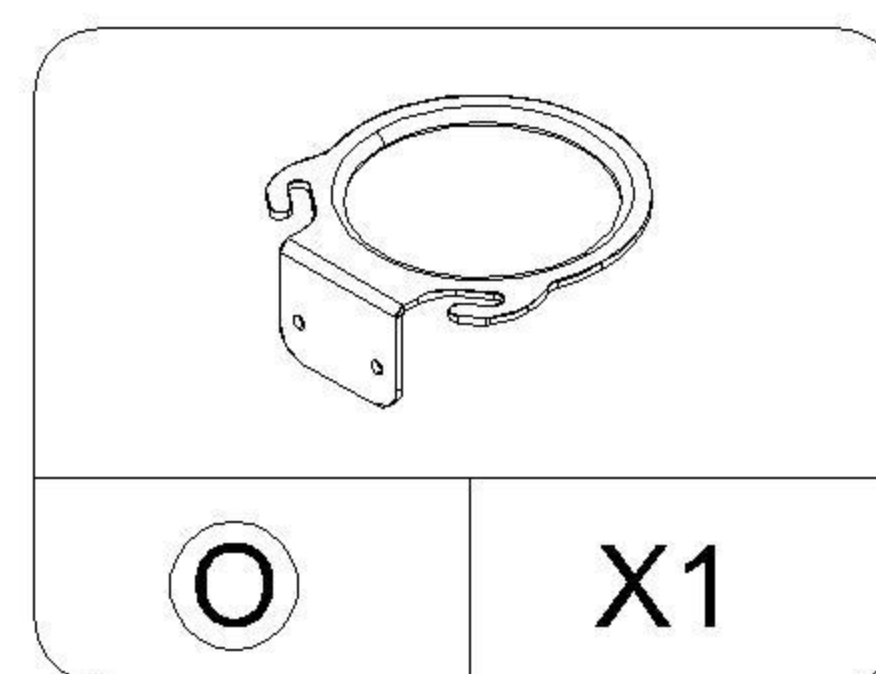
MAGNETIC CATCHE



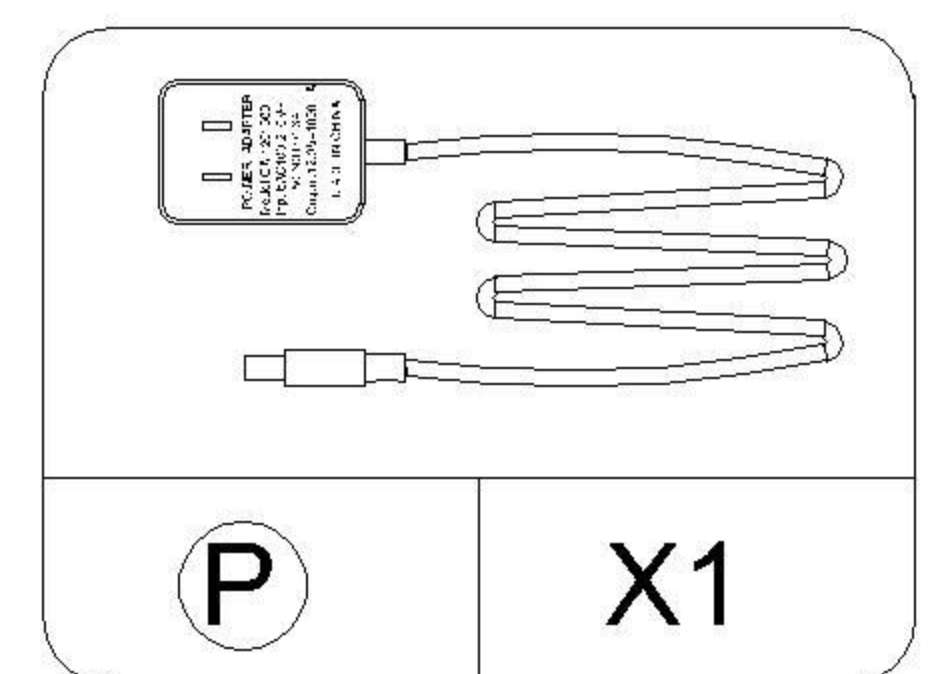
SCREW
spare:1



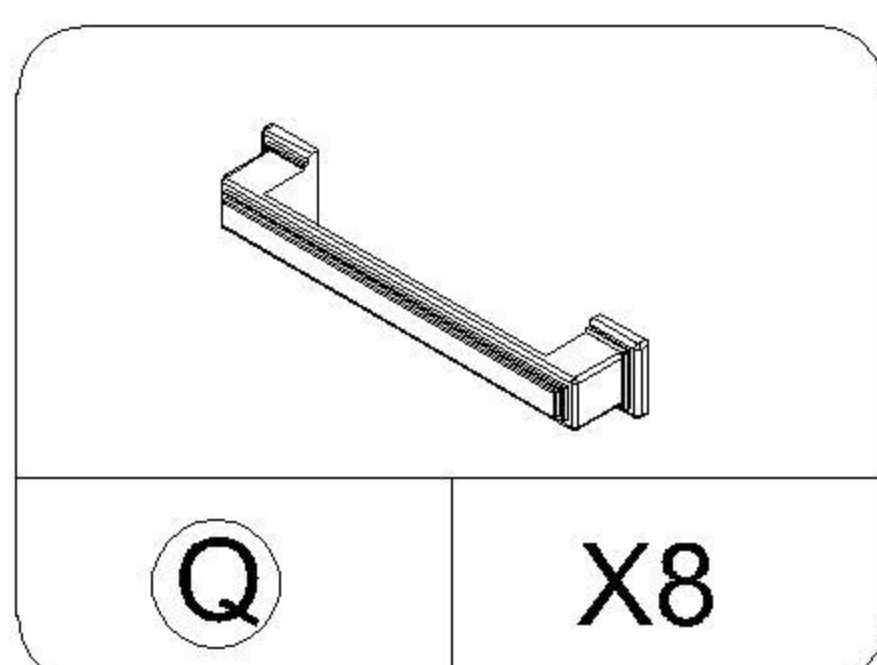
PLUG BOARD



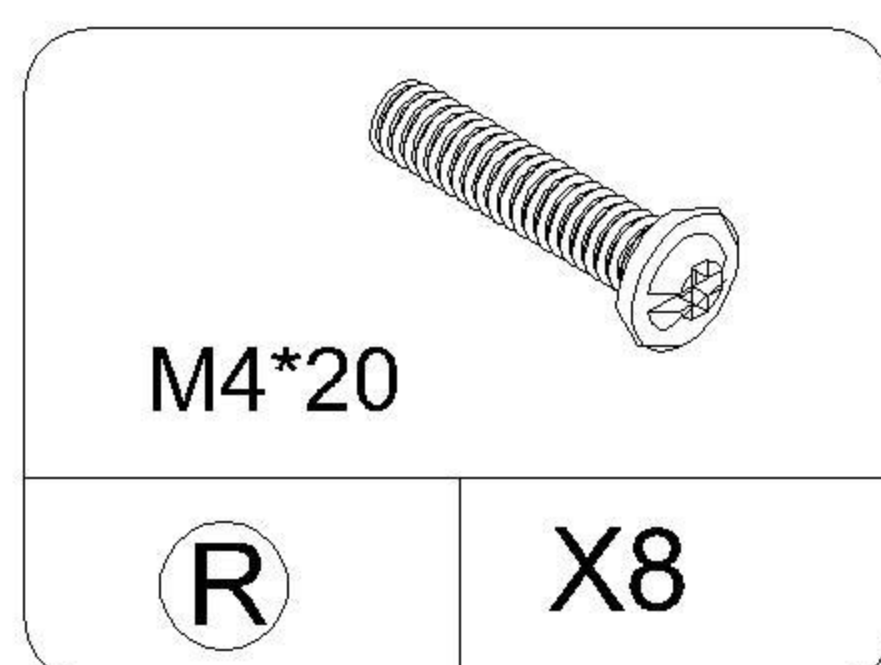
HAIR DRYER RACK



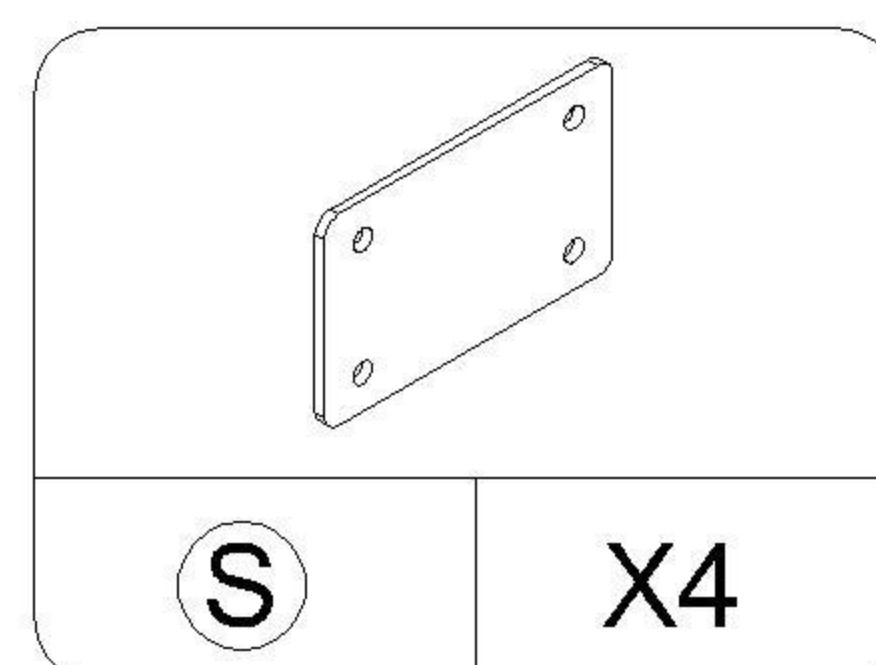
POWER PLUG



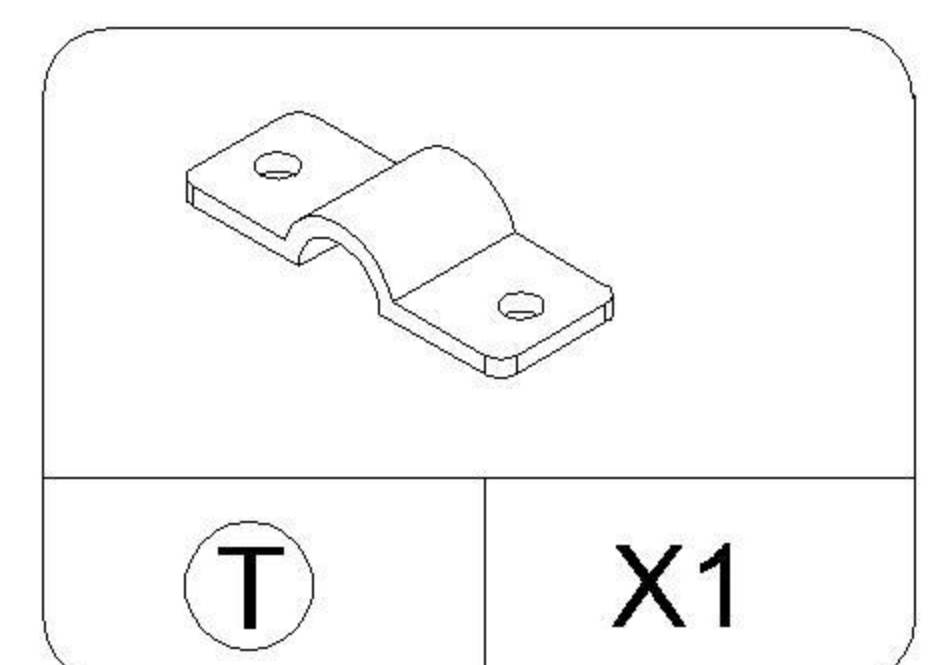
HANDLE



SCREW
spare:1

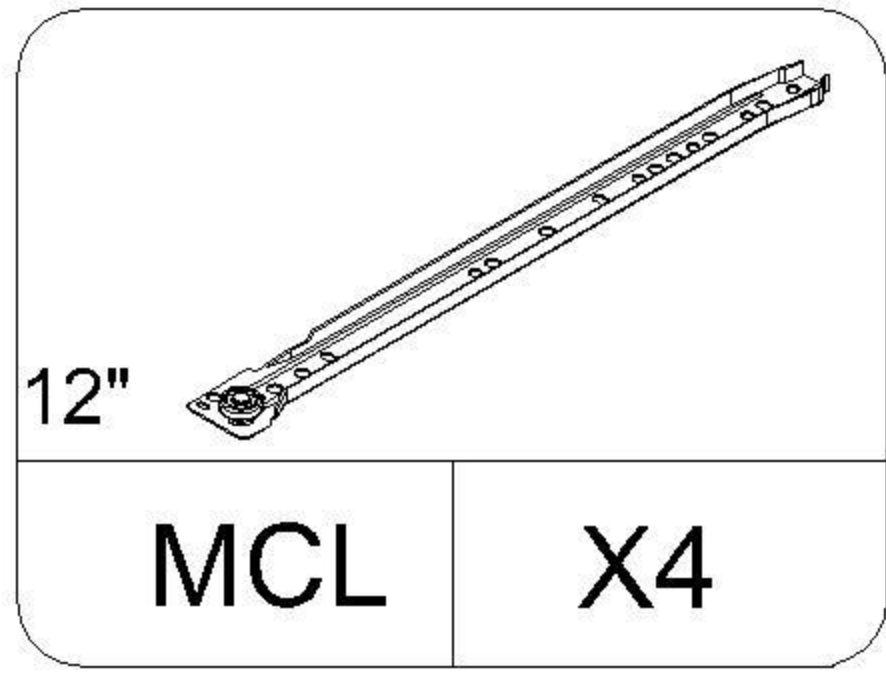


METAL PLATE

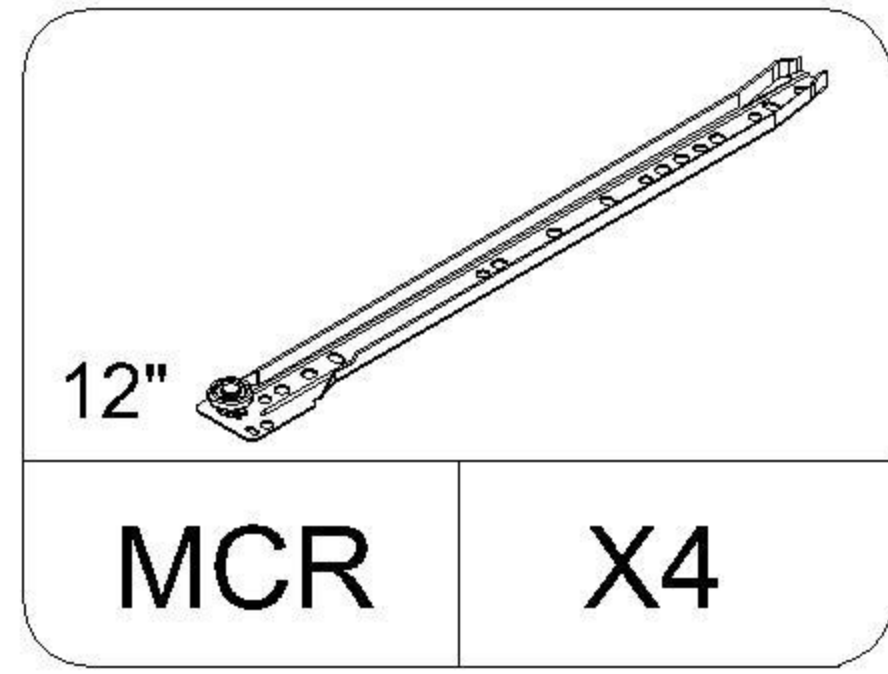


PLASTIC CABLE BUCKLE

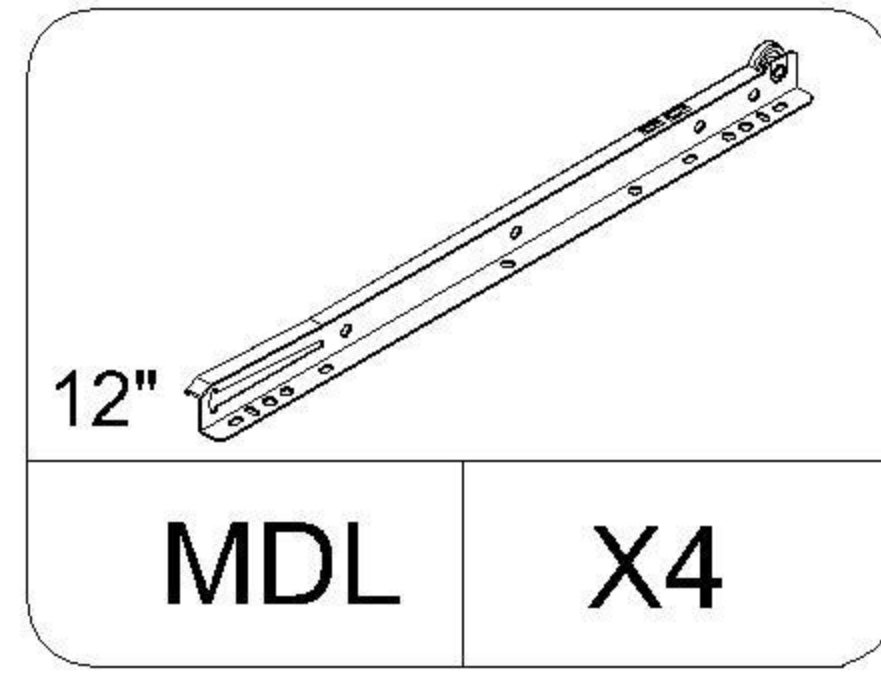
Part List



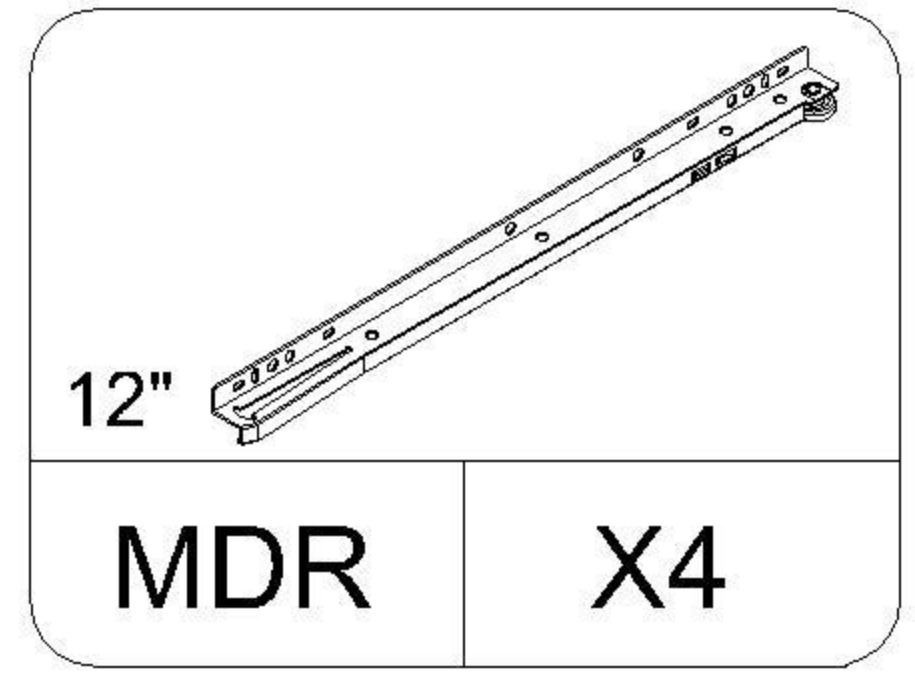
LEFT CABINET MEMBER



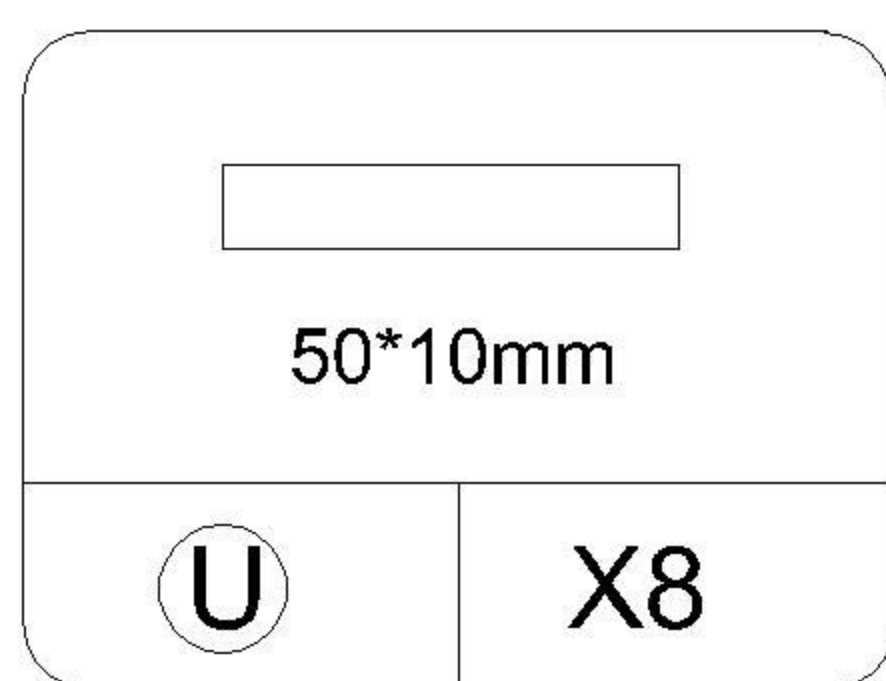
RIGHT CABINET MEMBER



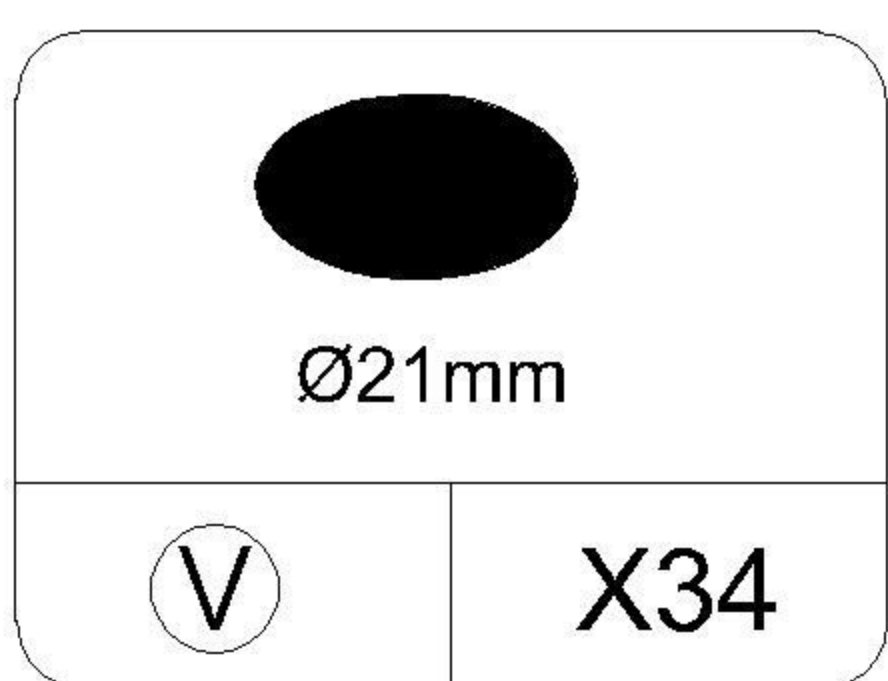
LEFT DRAWER RUNNER



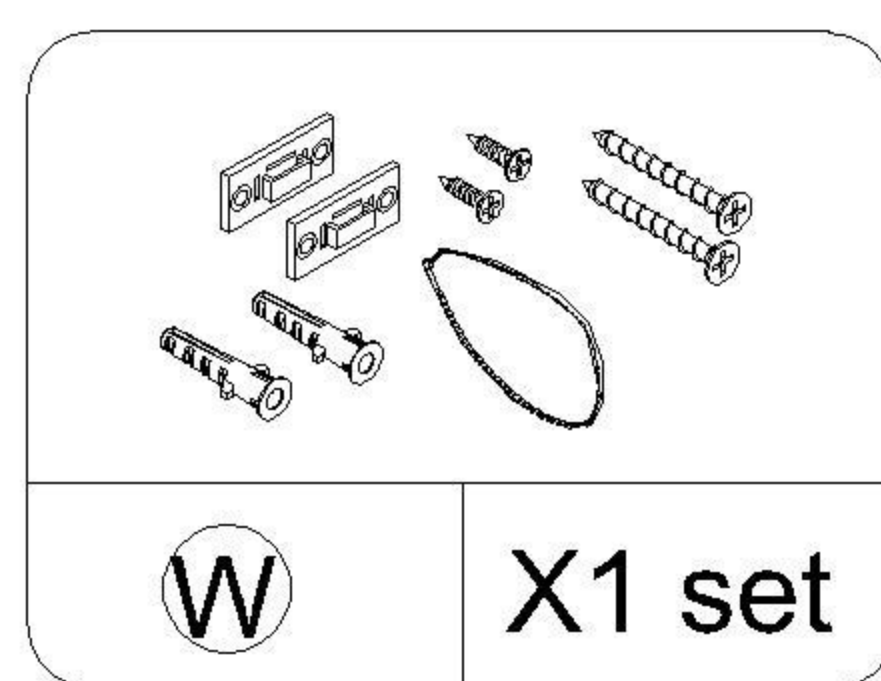
RIGHT DRAWER RUNNER



FLOOR-MATS
spare:1



PERFECT STICKERS
spare:4

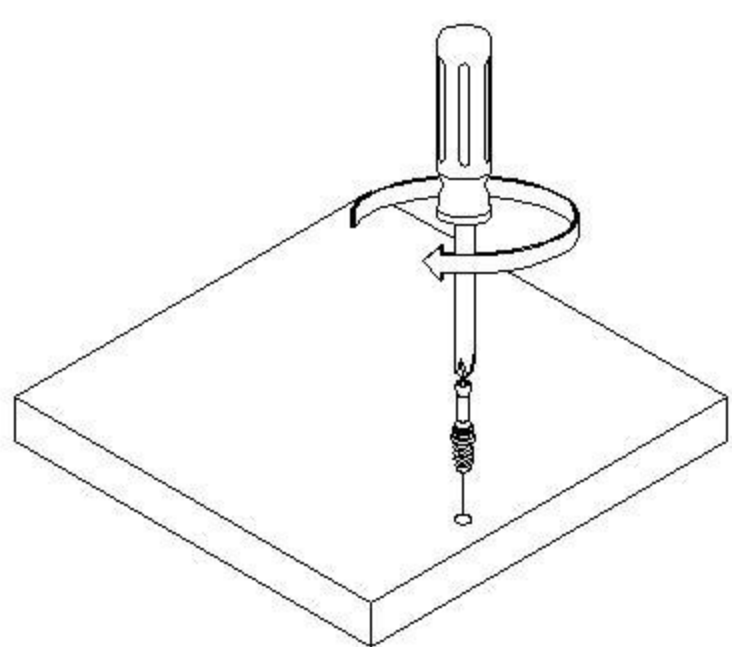


TIPPING RESTRAINT
HARDWARE KIT

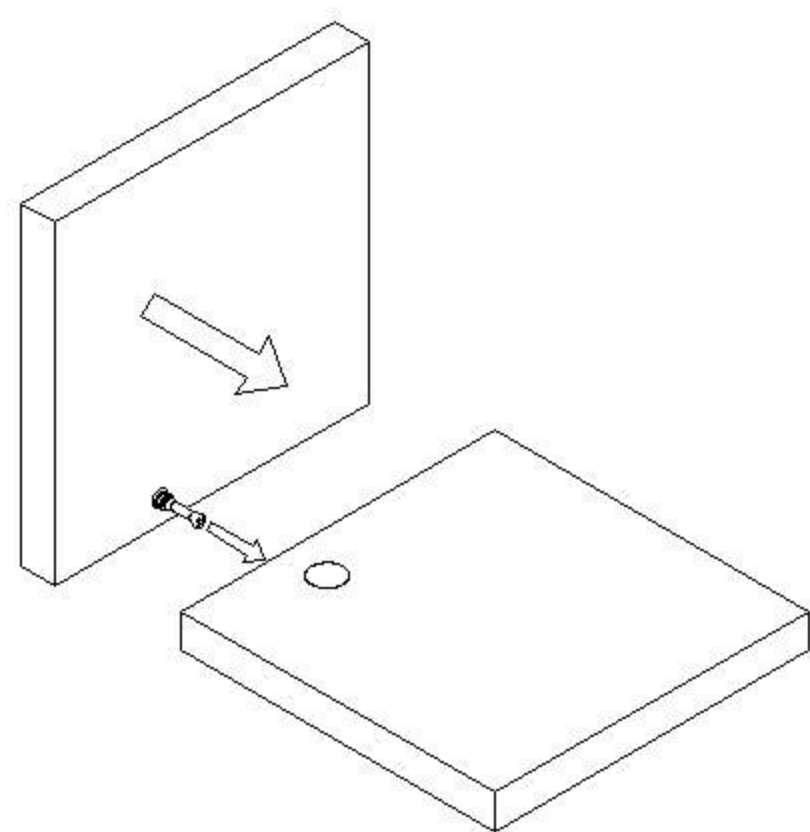
Cam Lock Fastening System

Insert the cam bolt into the hole first, then insert the cam lock and lock it.

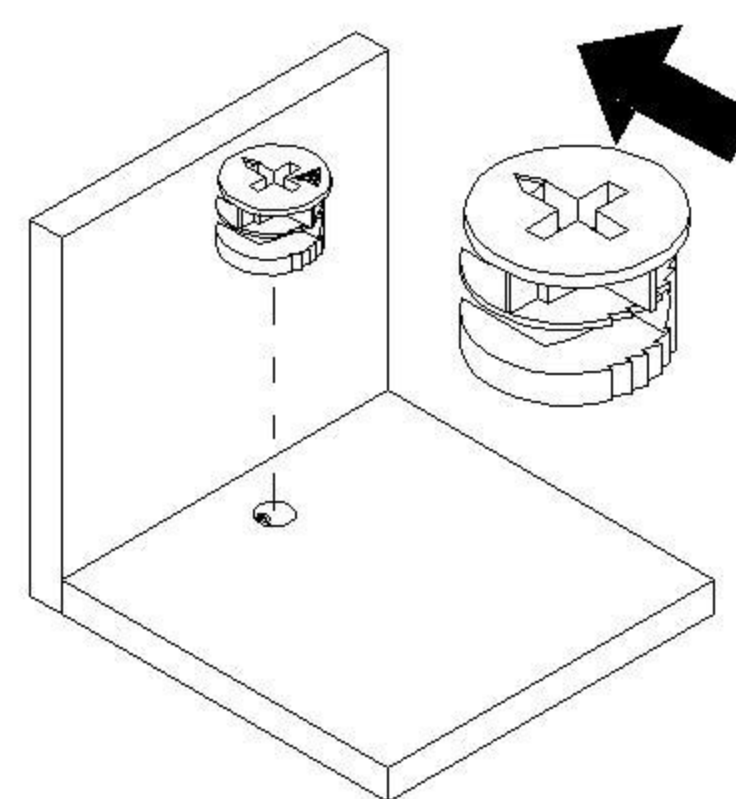
1



2

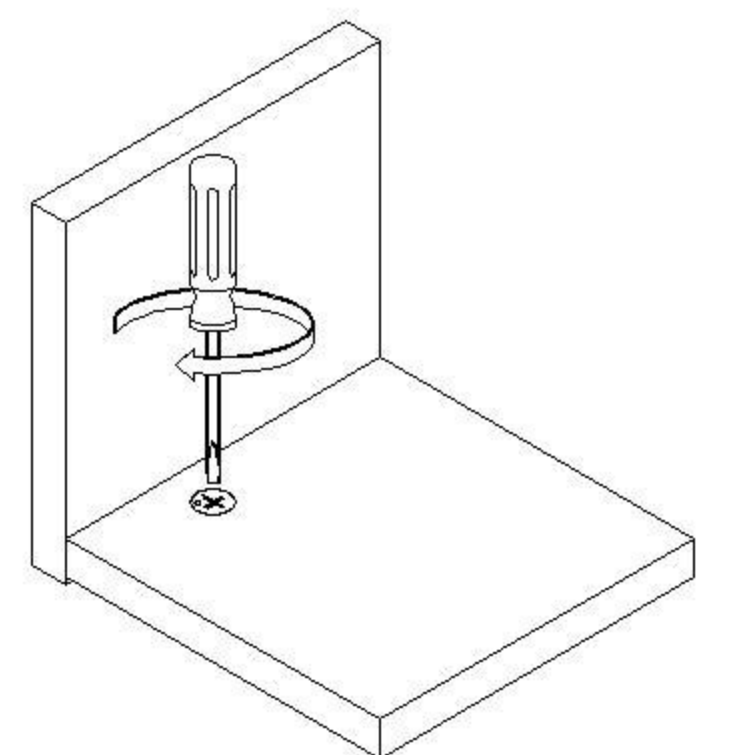


3



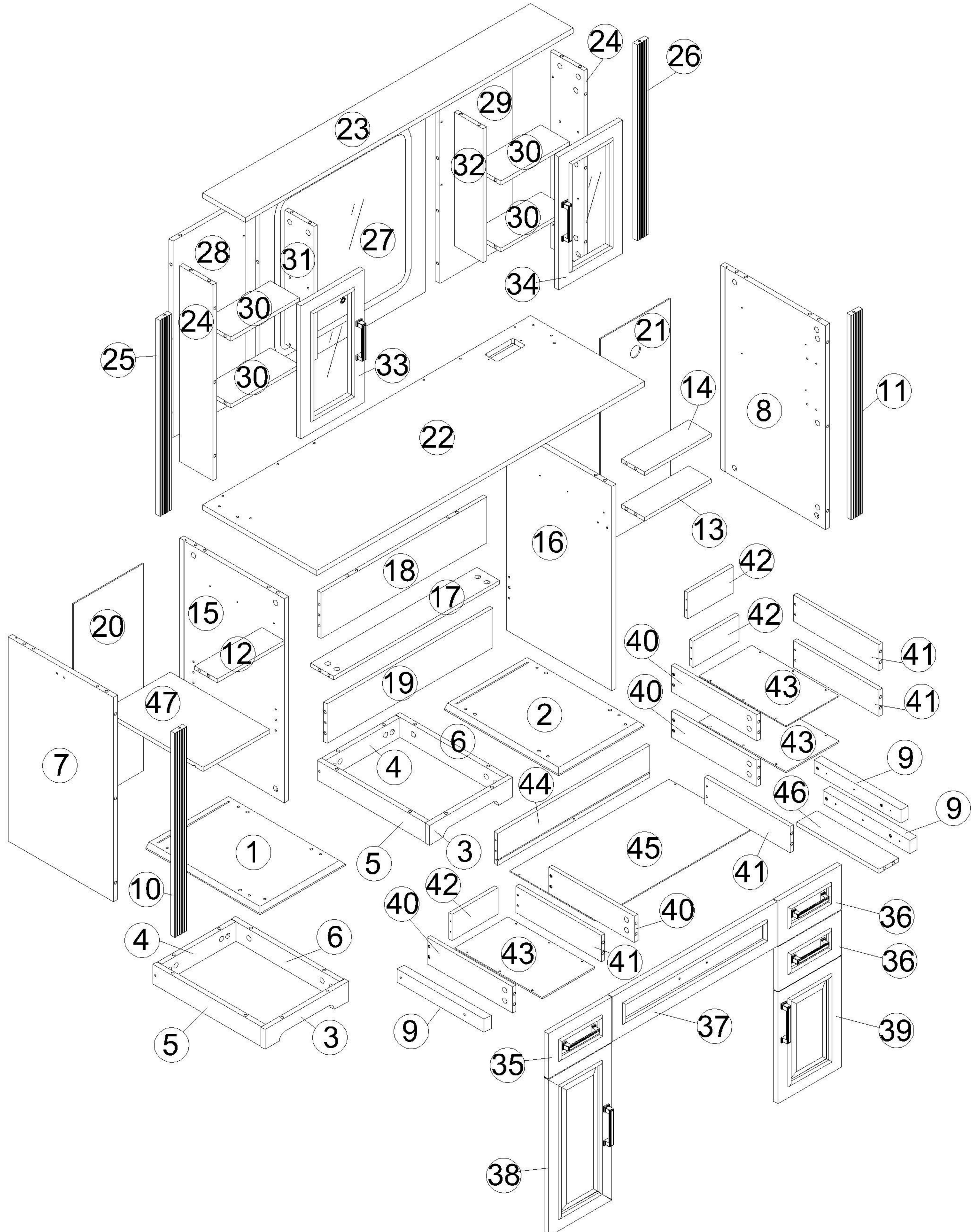
The opening must point toward the edge of the board

4

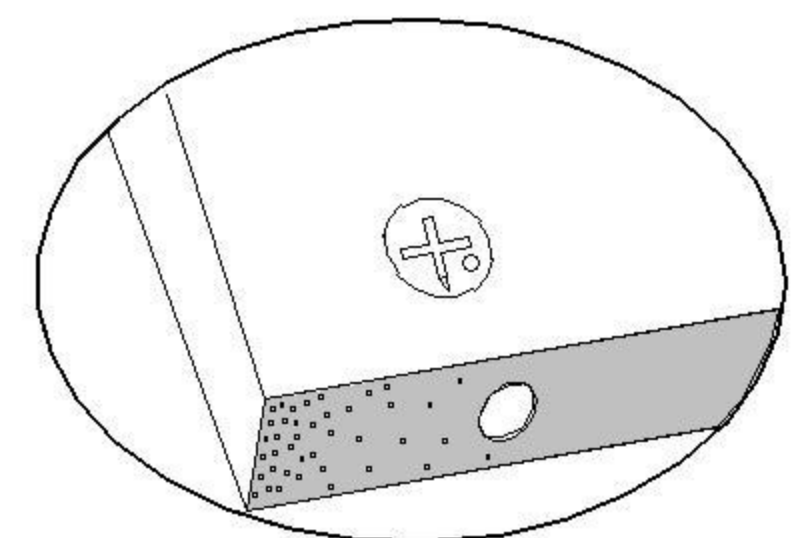
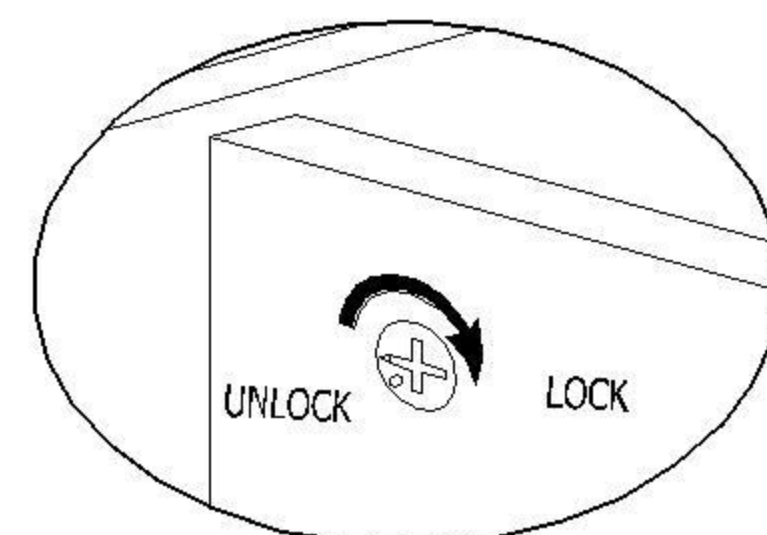
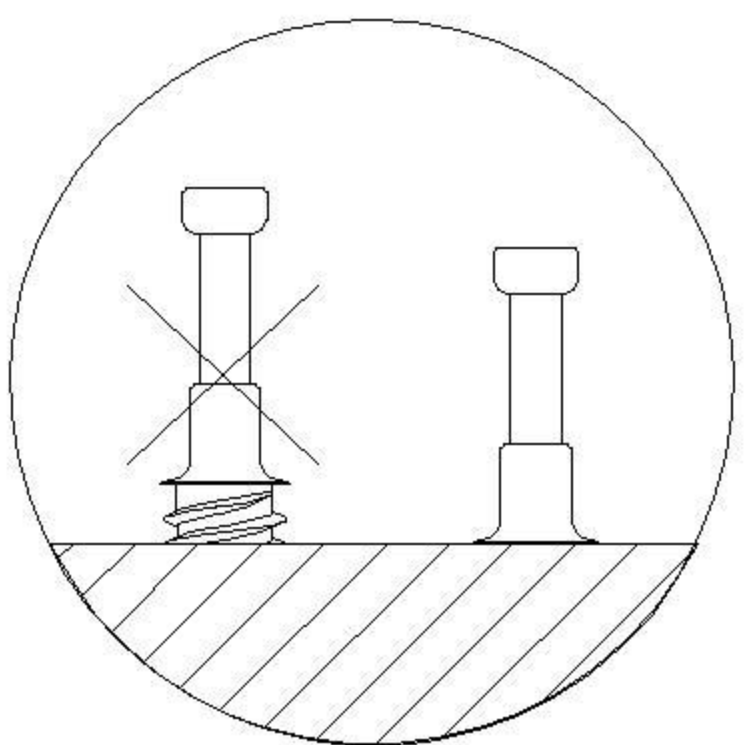
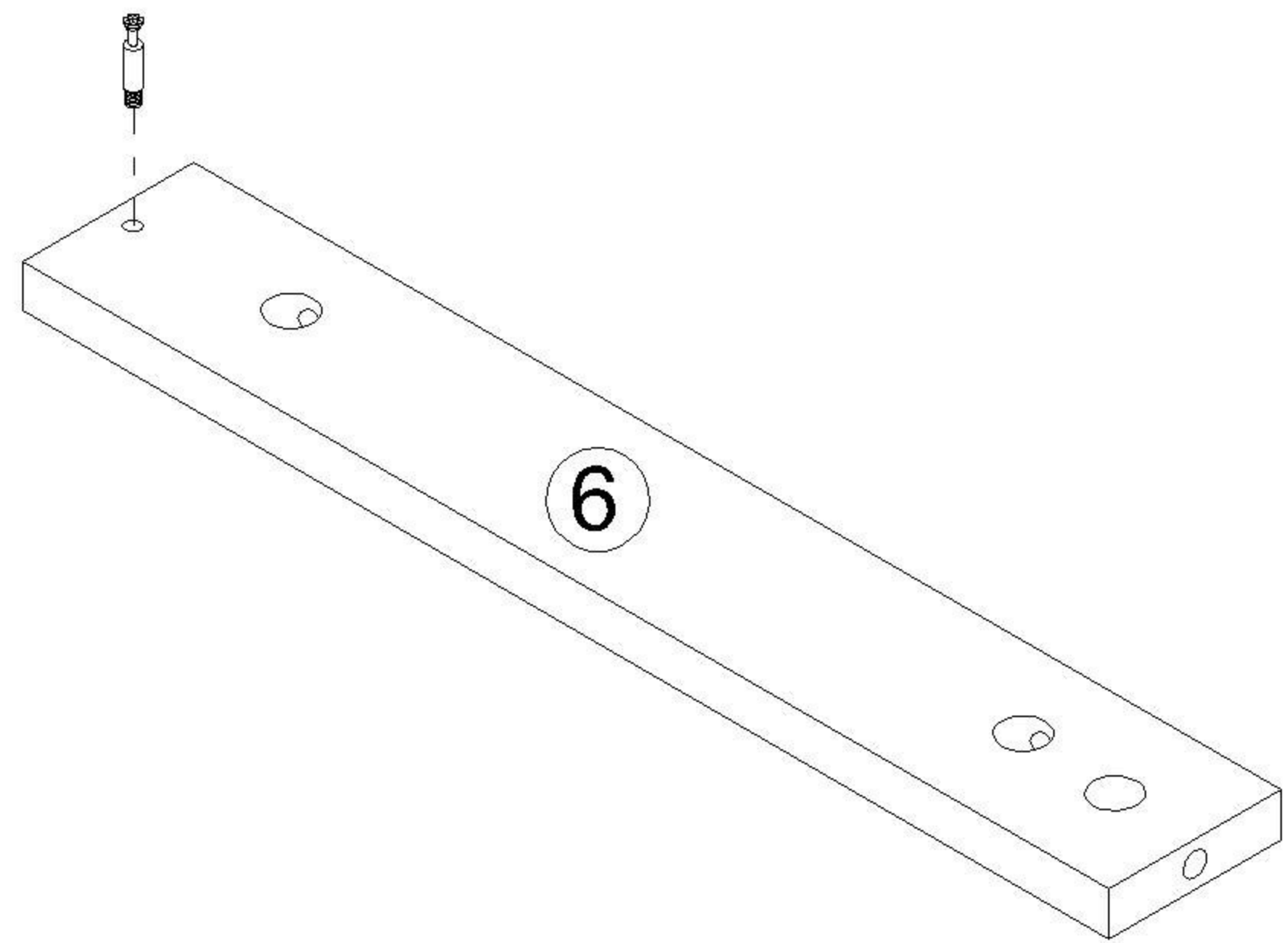
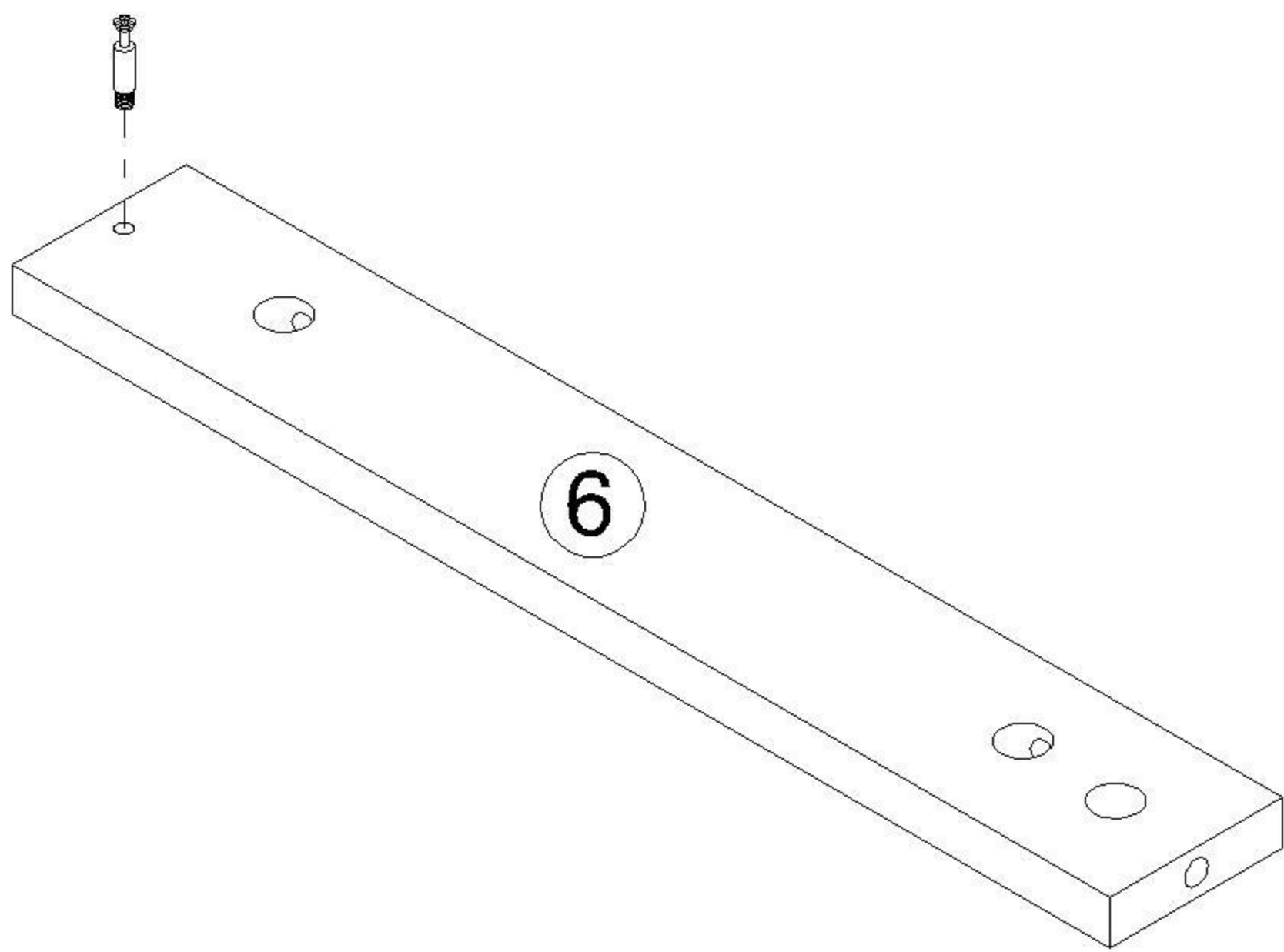
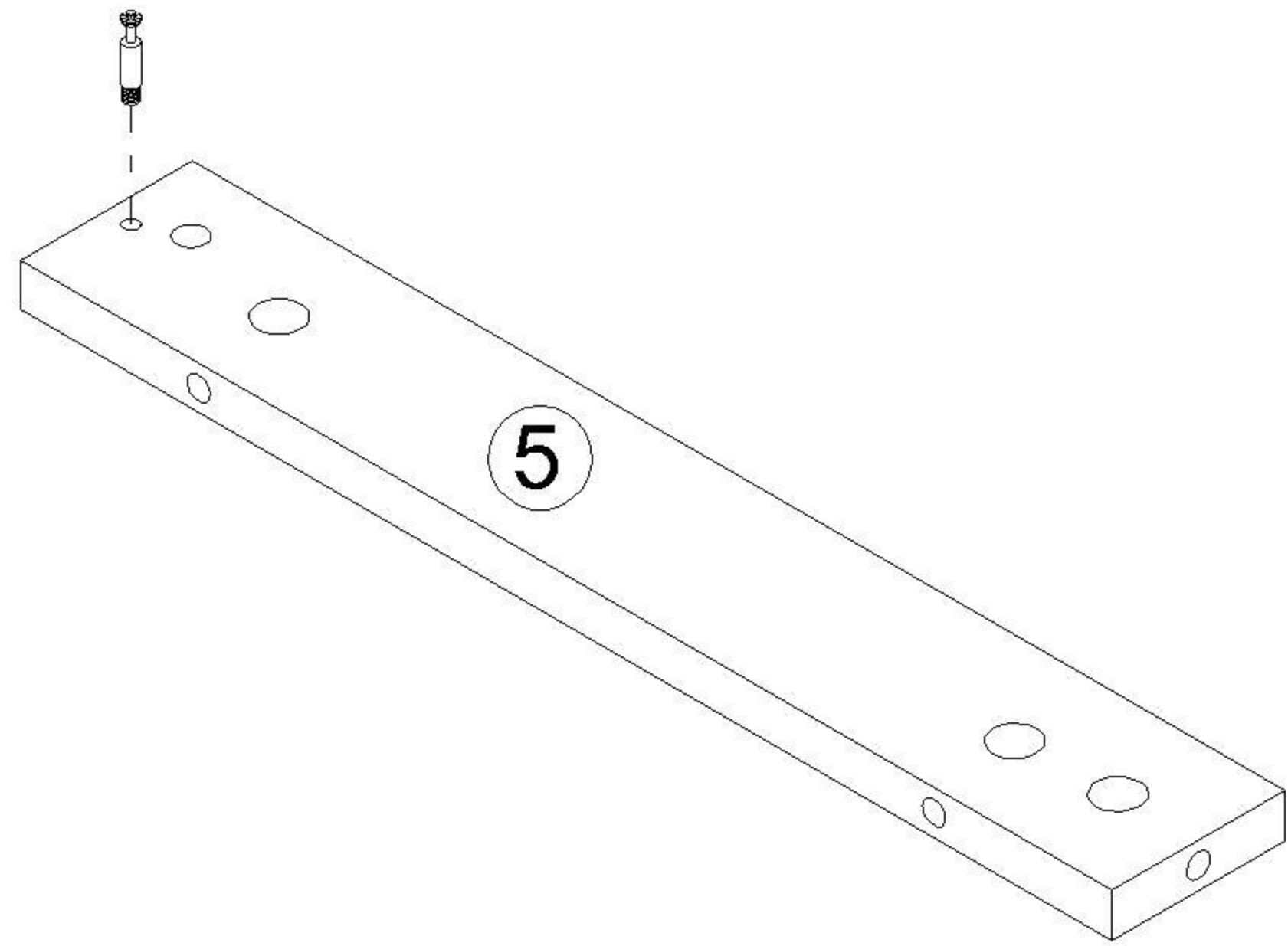
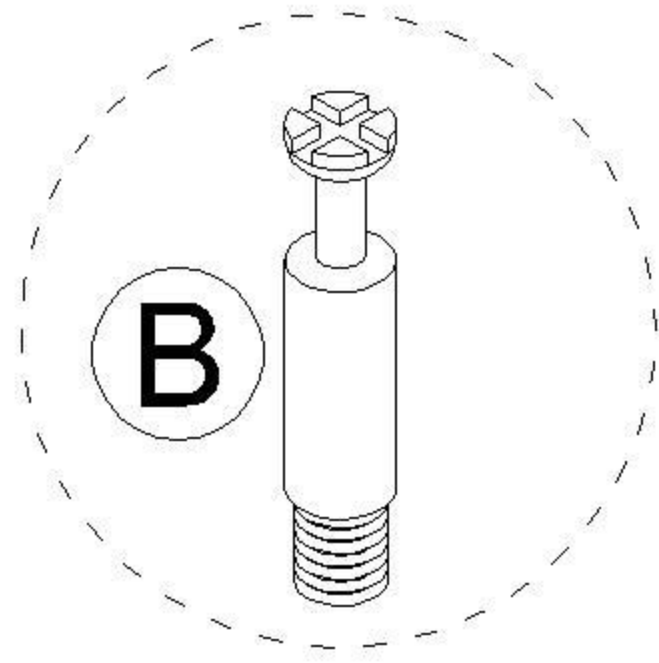
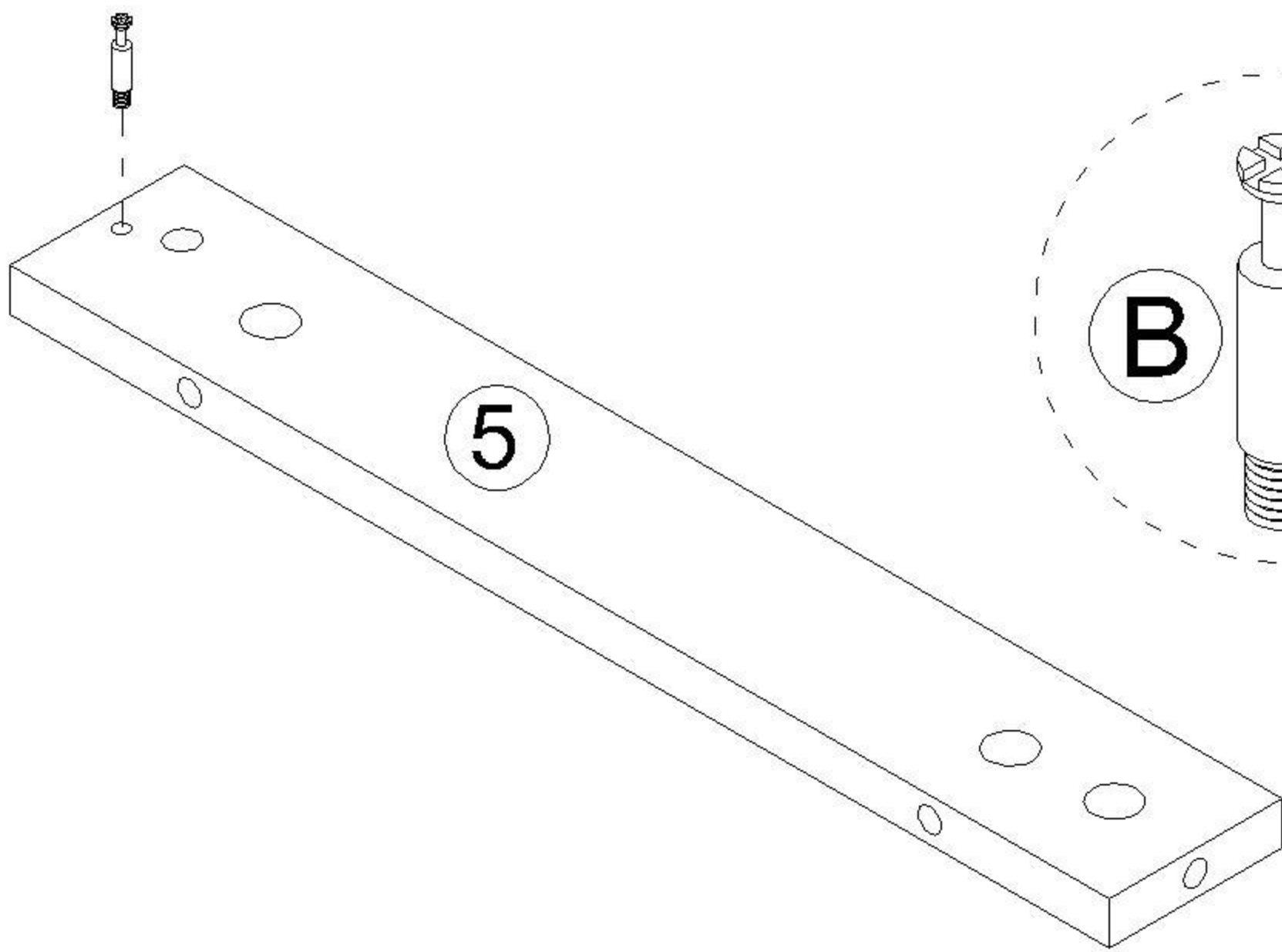
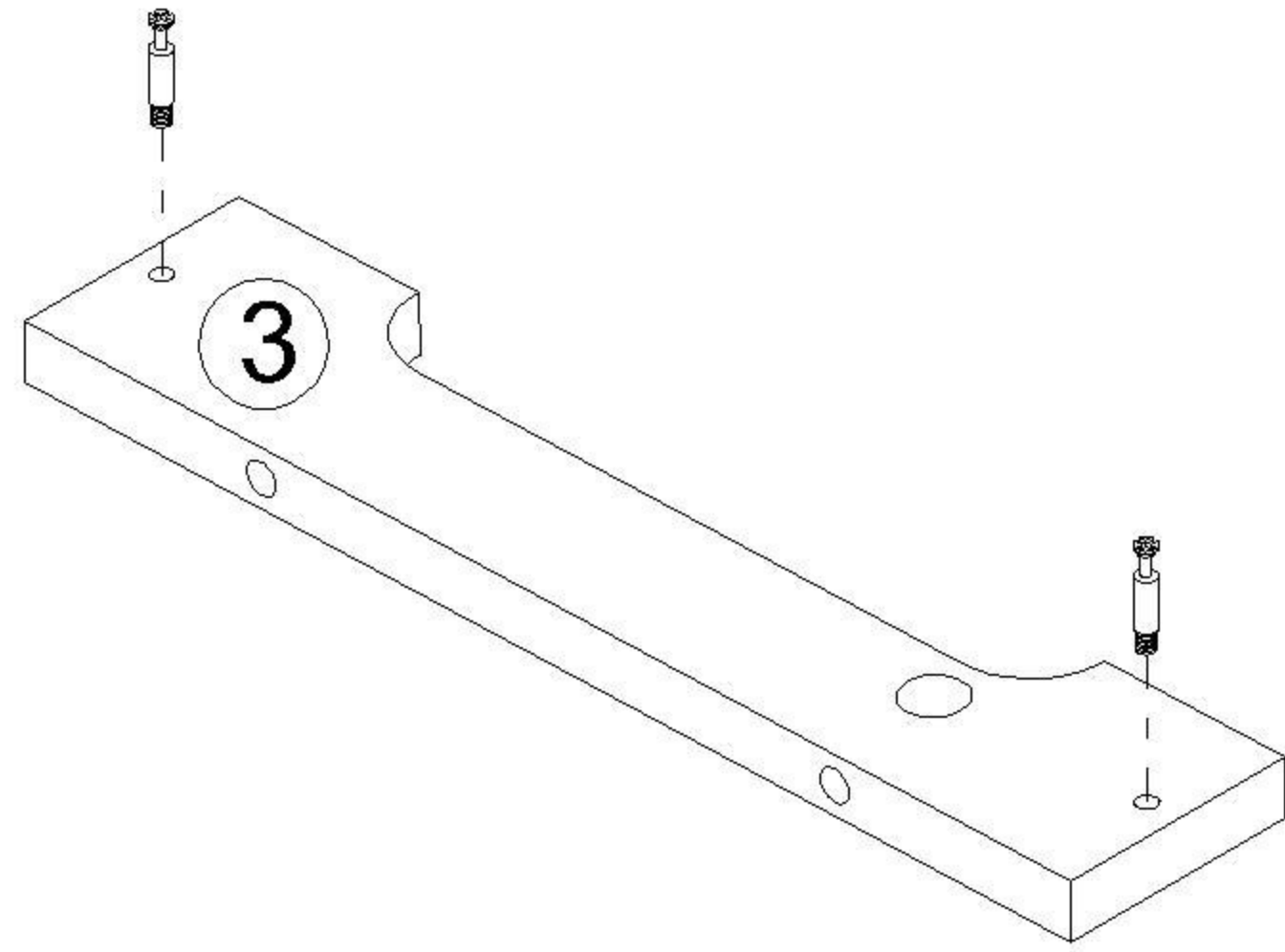
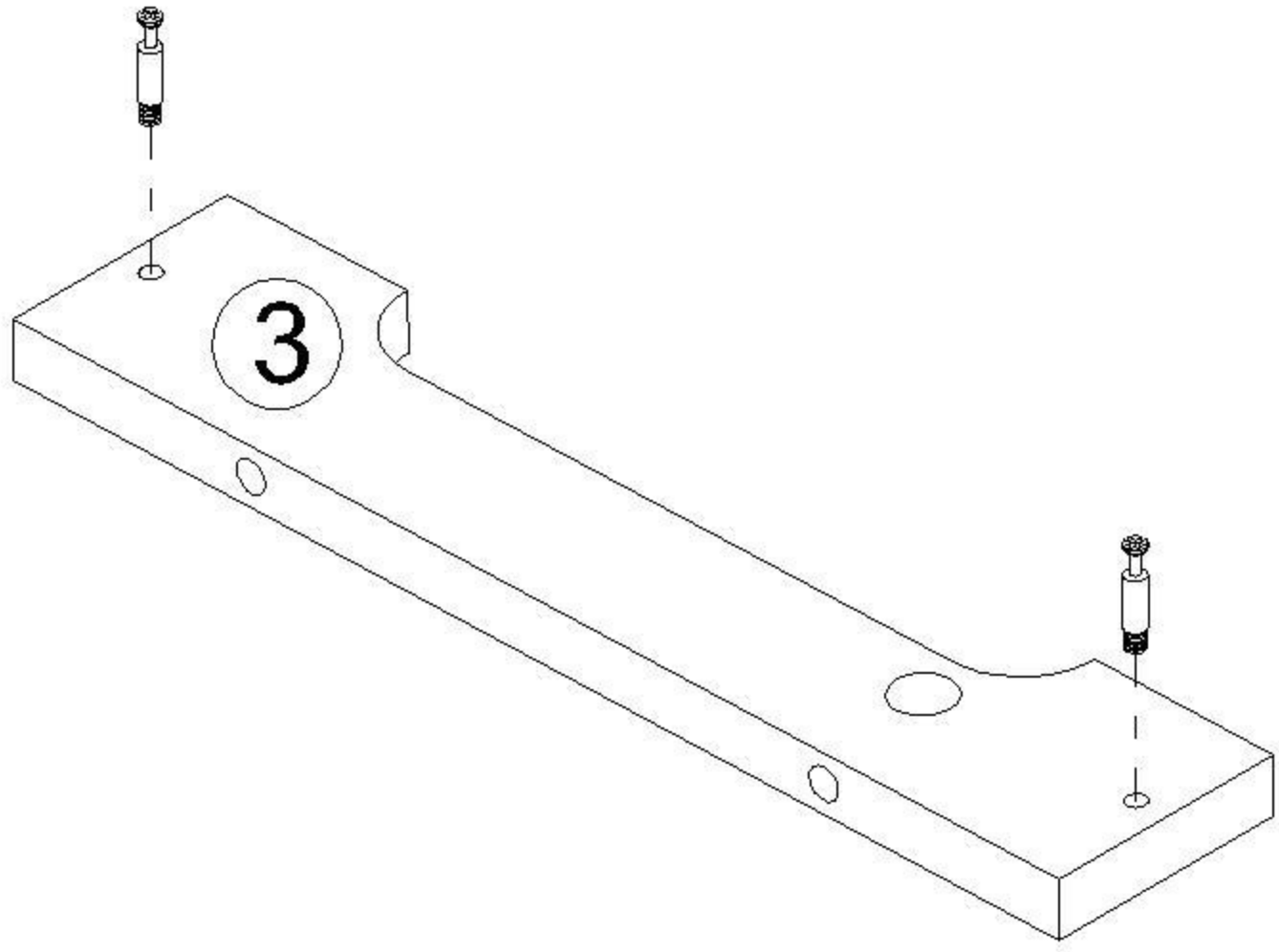
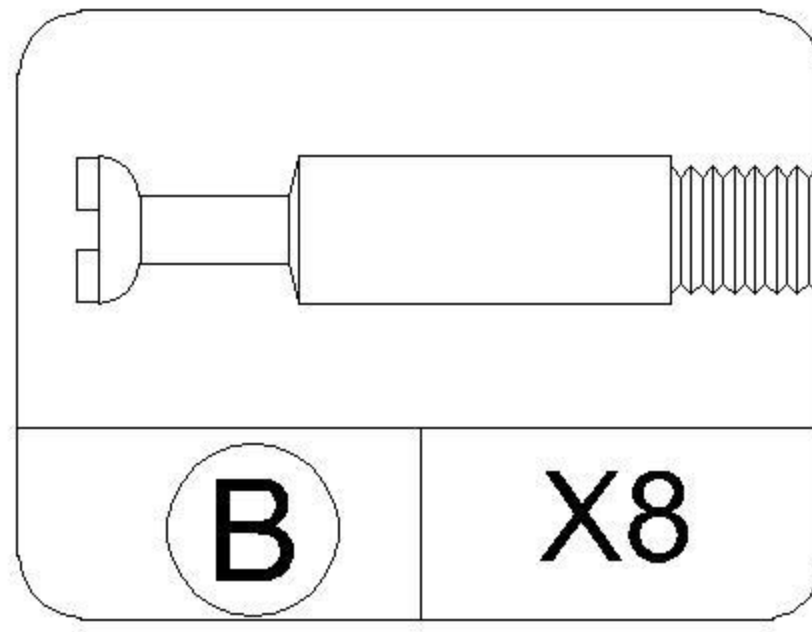
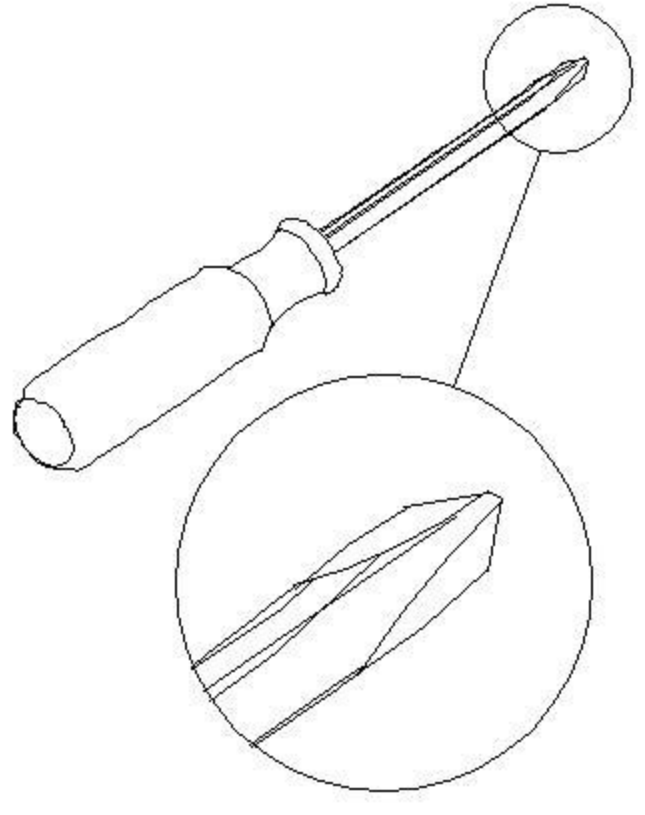


Board Identification

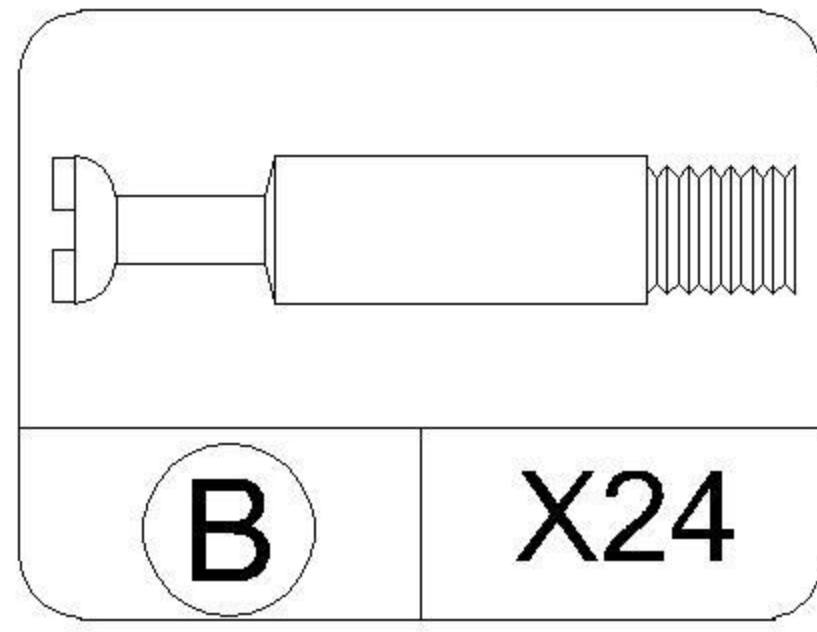
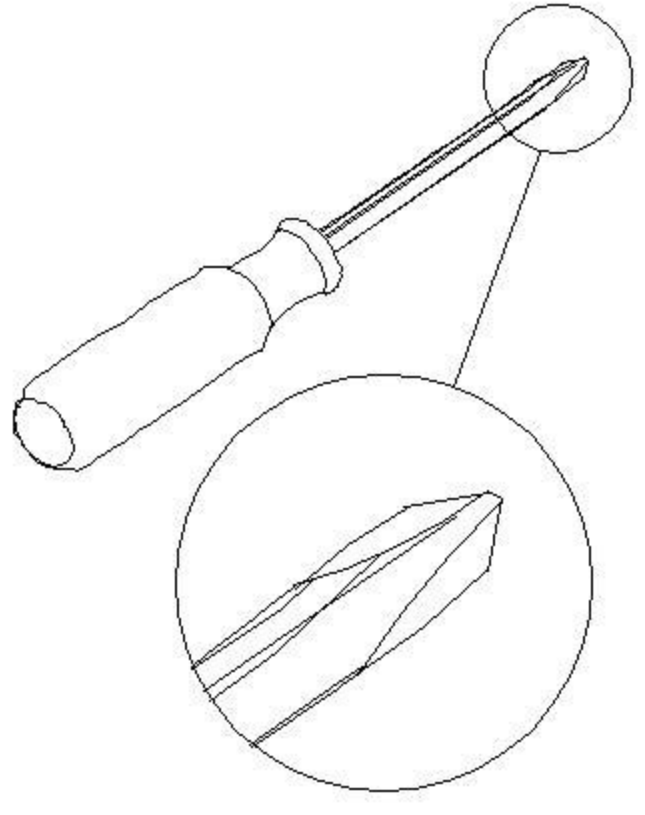
Not actual size



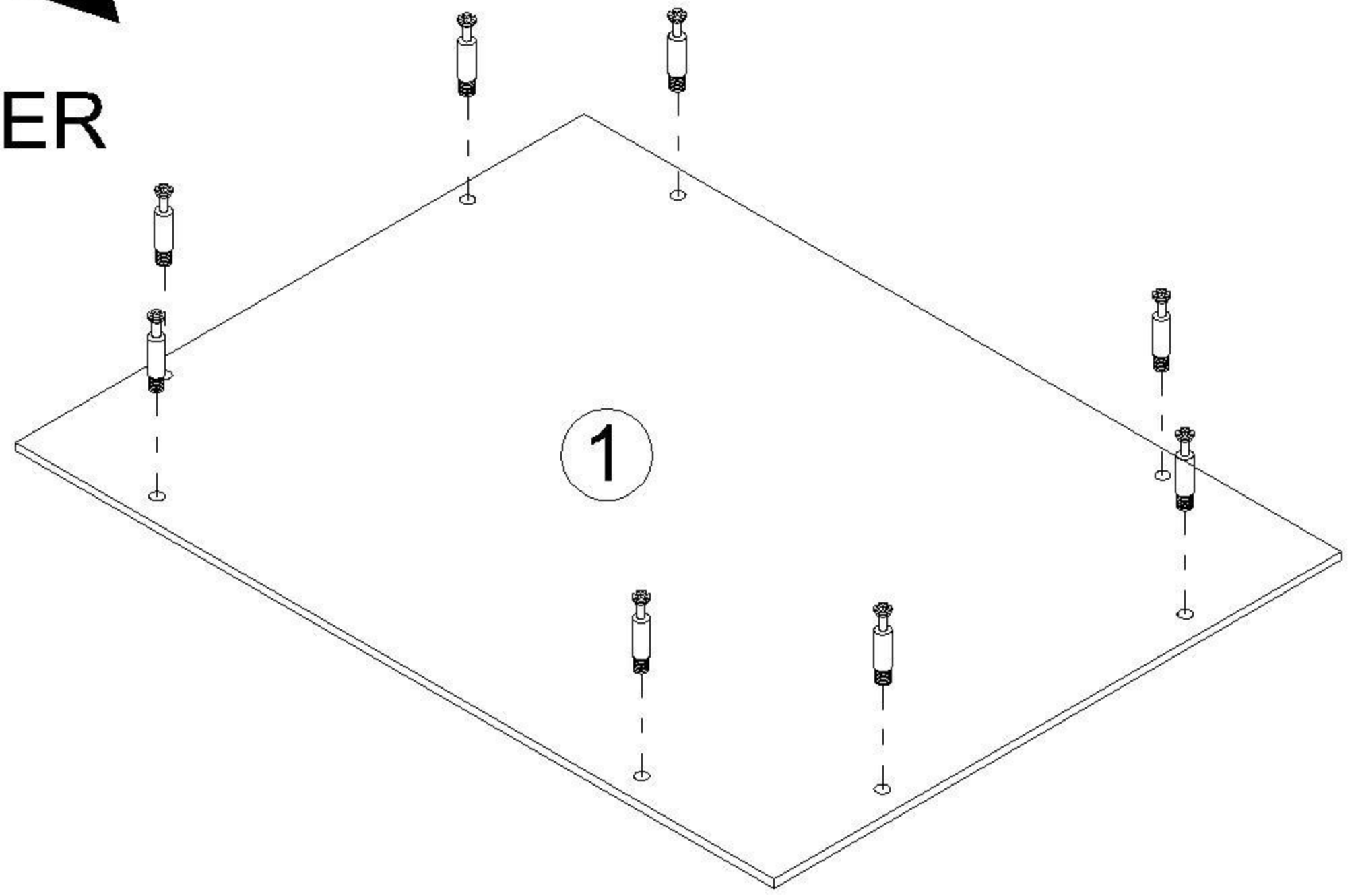
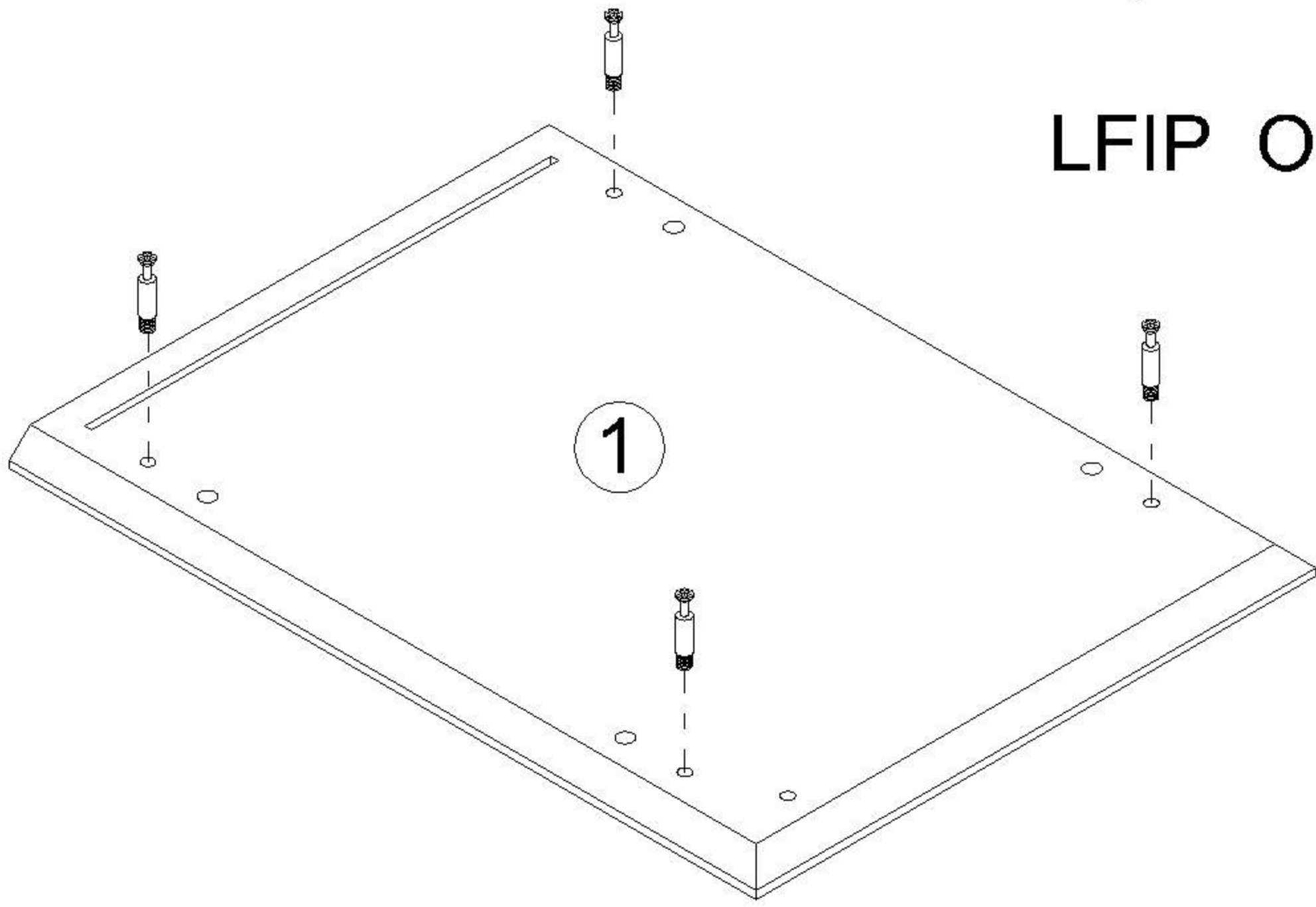
STEP 1



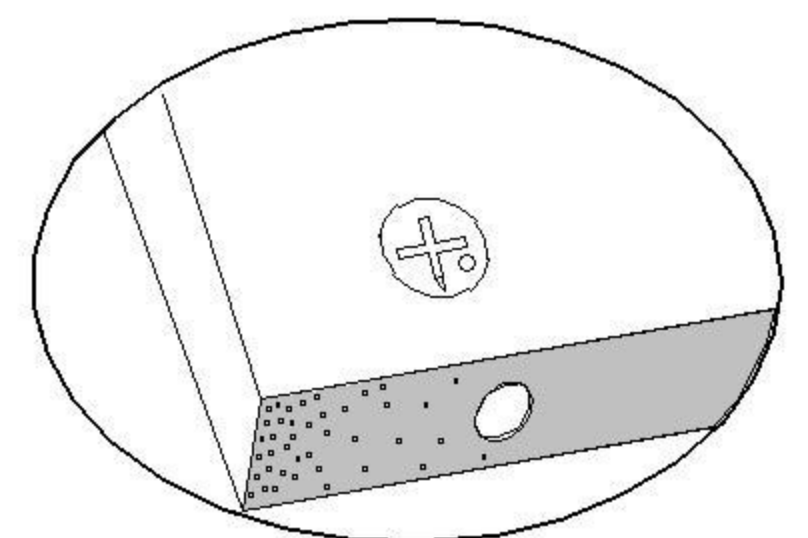
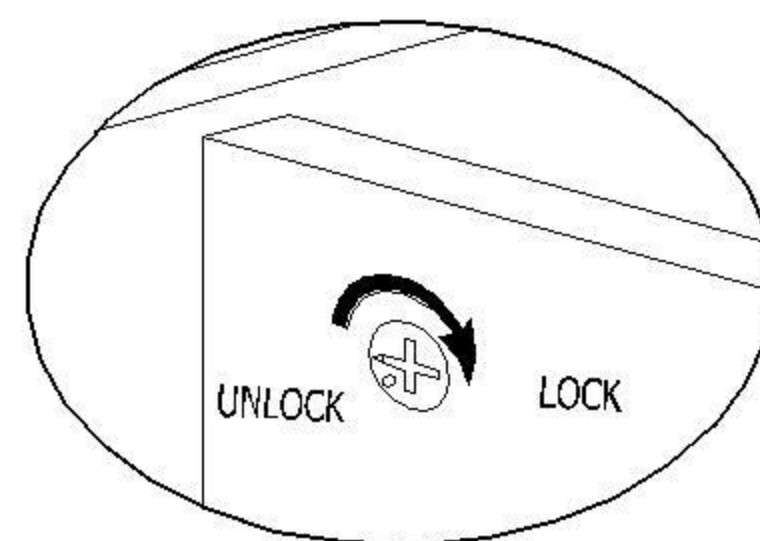
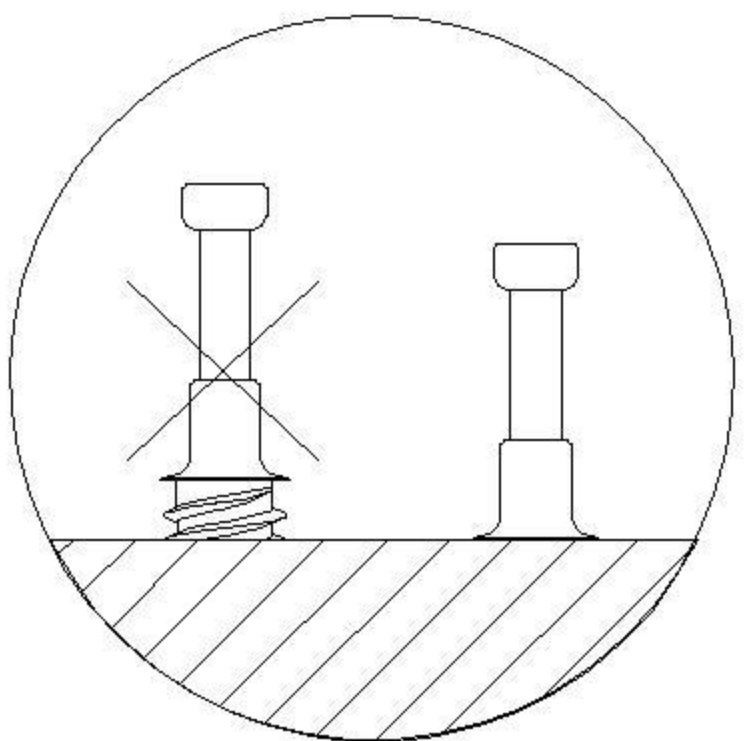
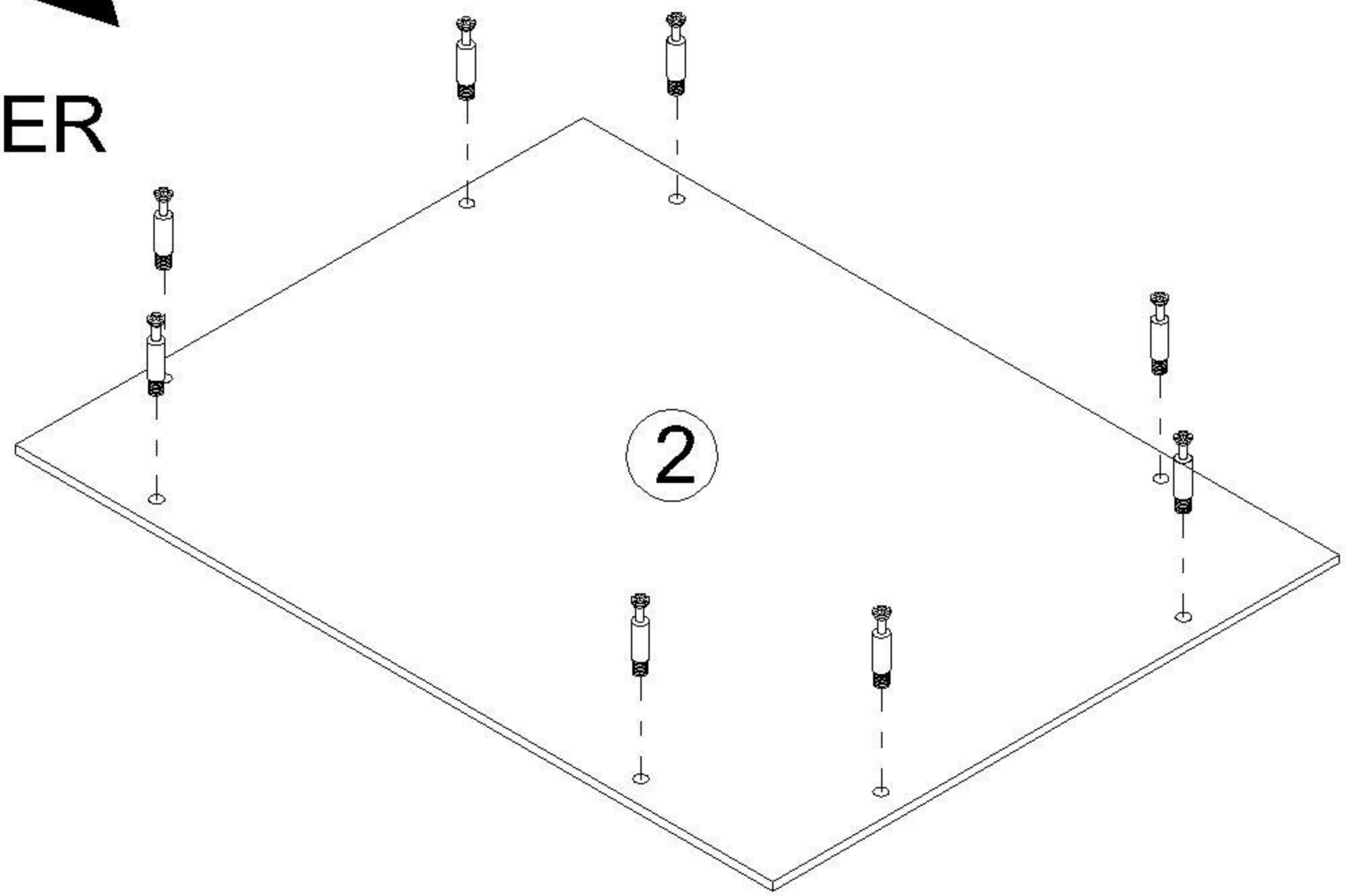
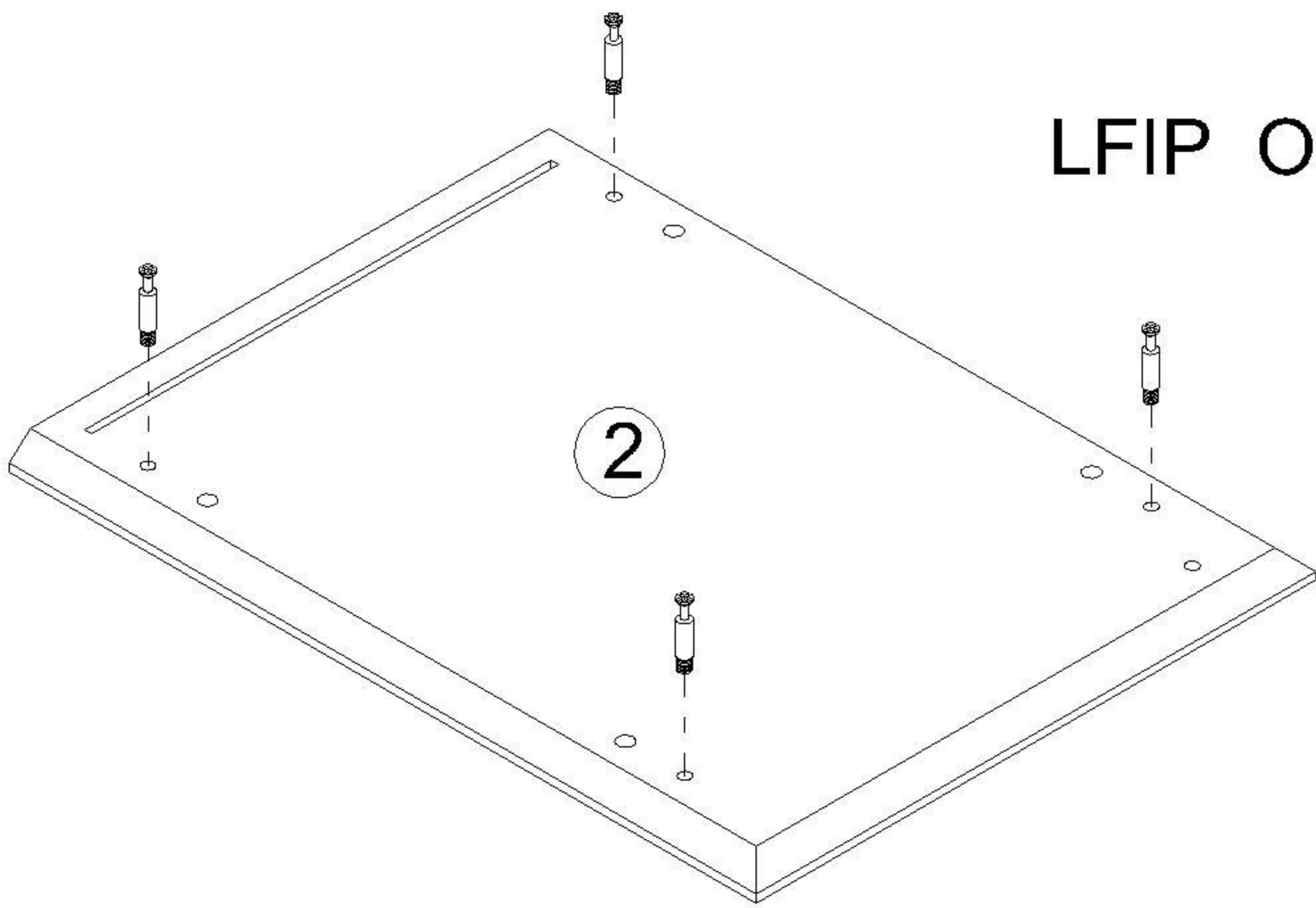
STEP 2



LFIP OVER

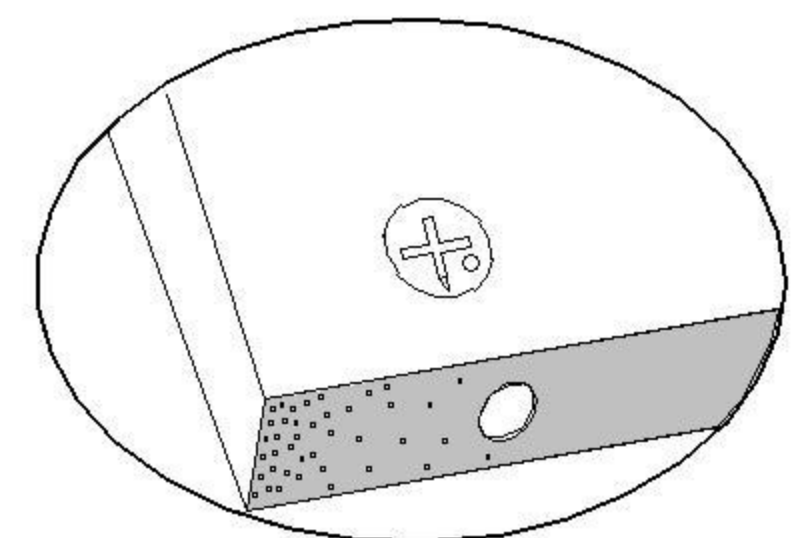
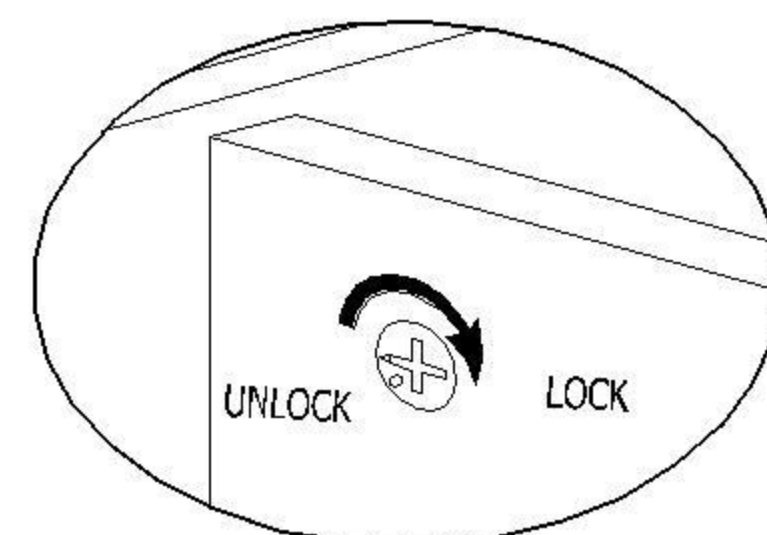
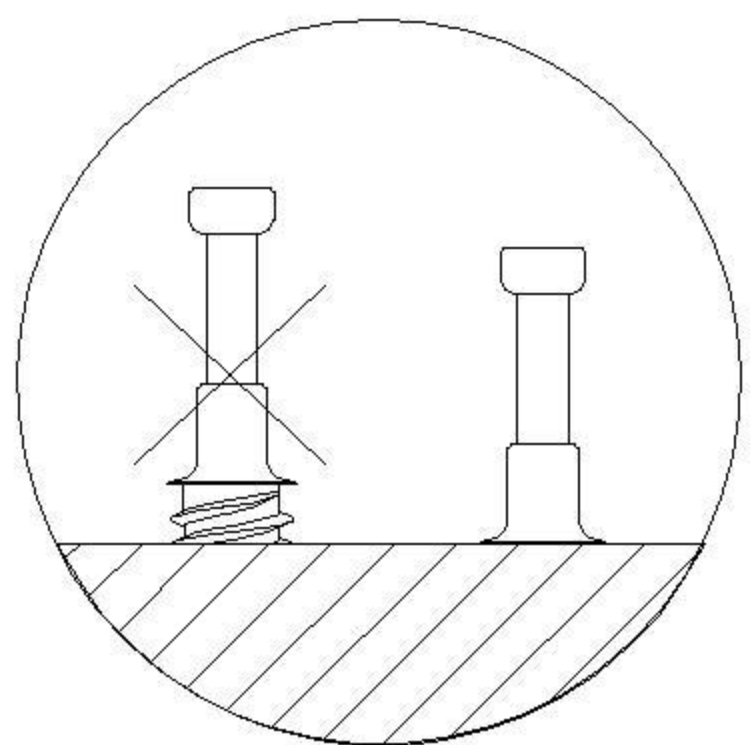
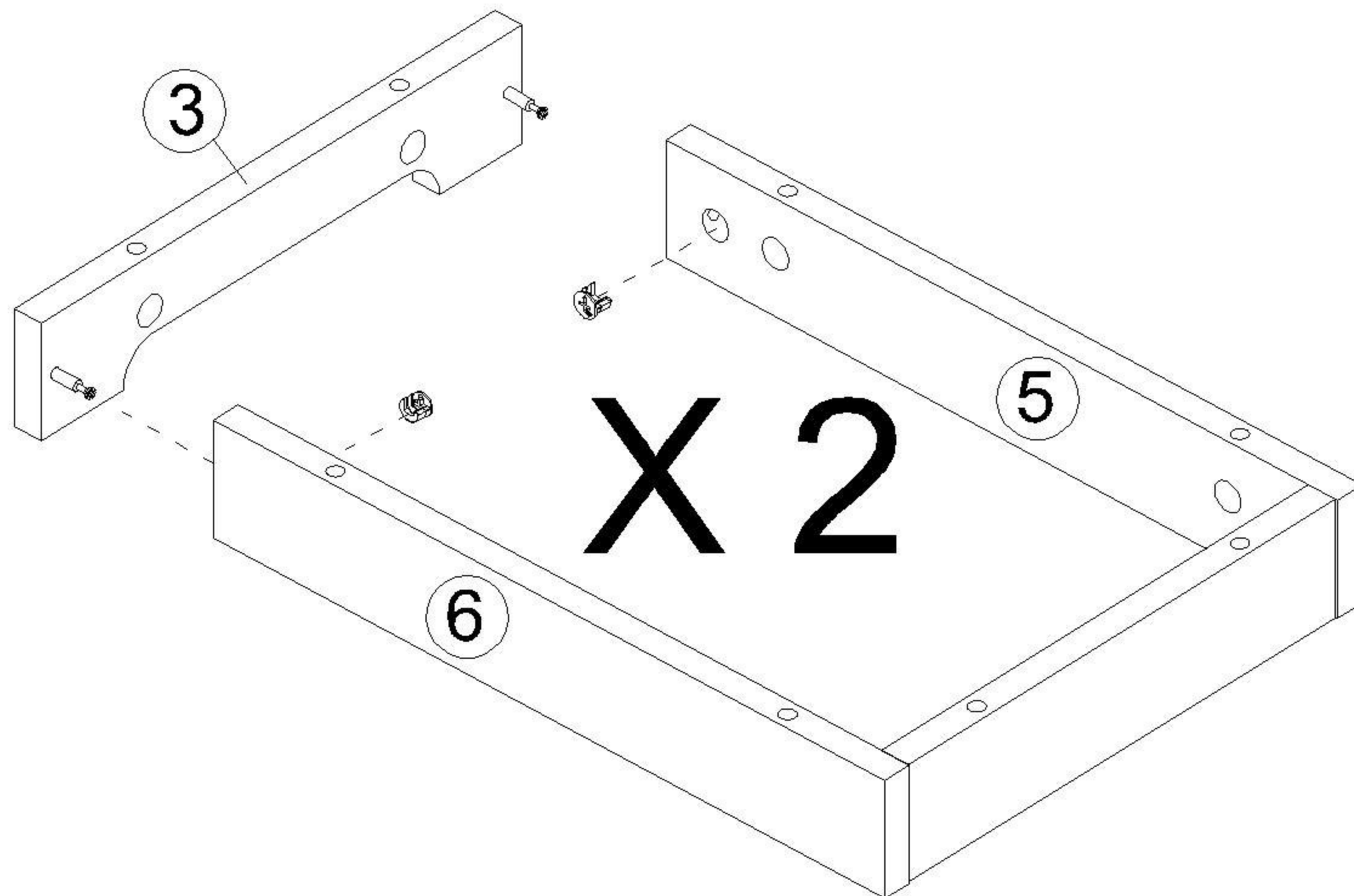
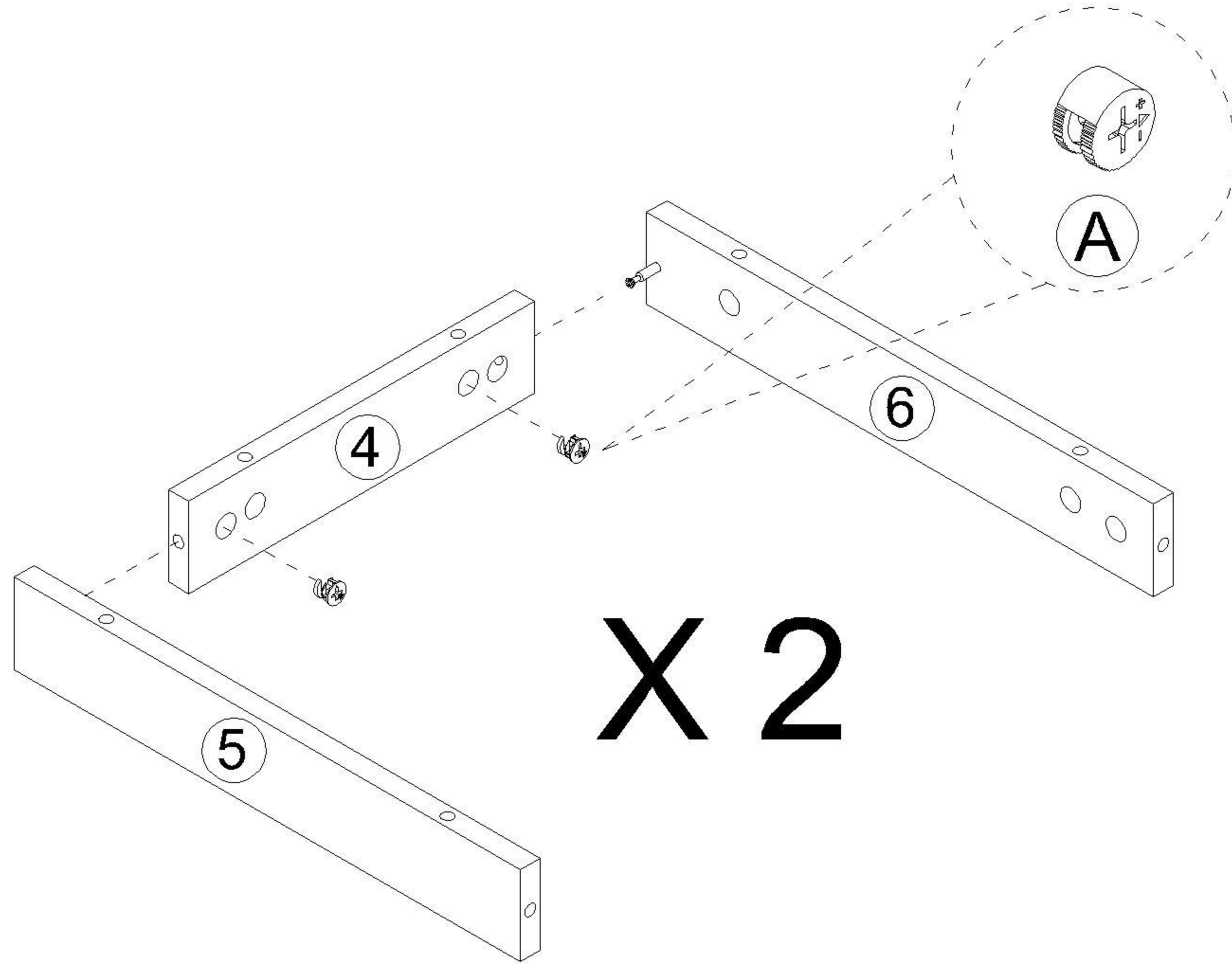
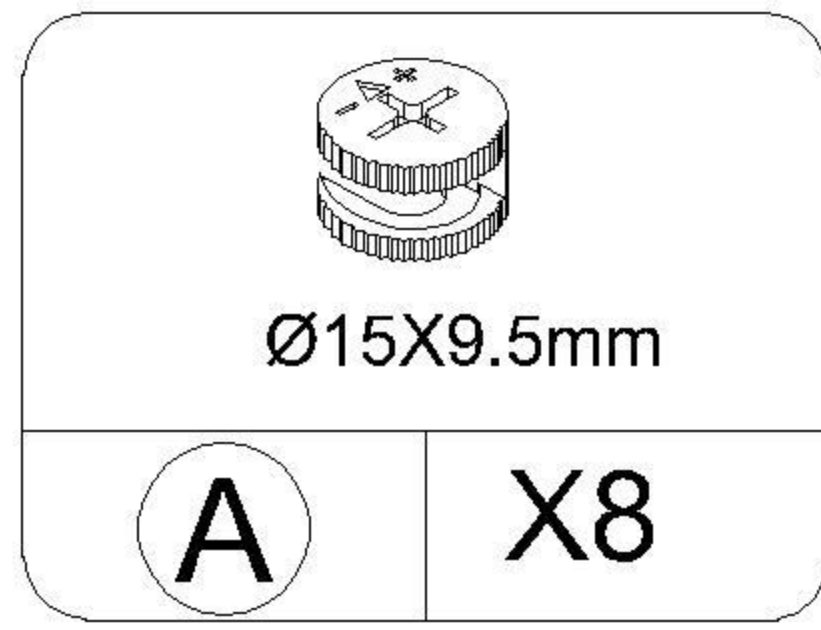
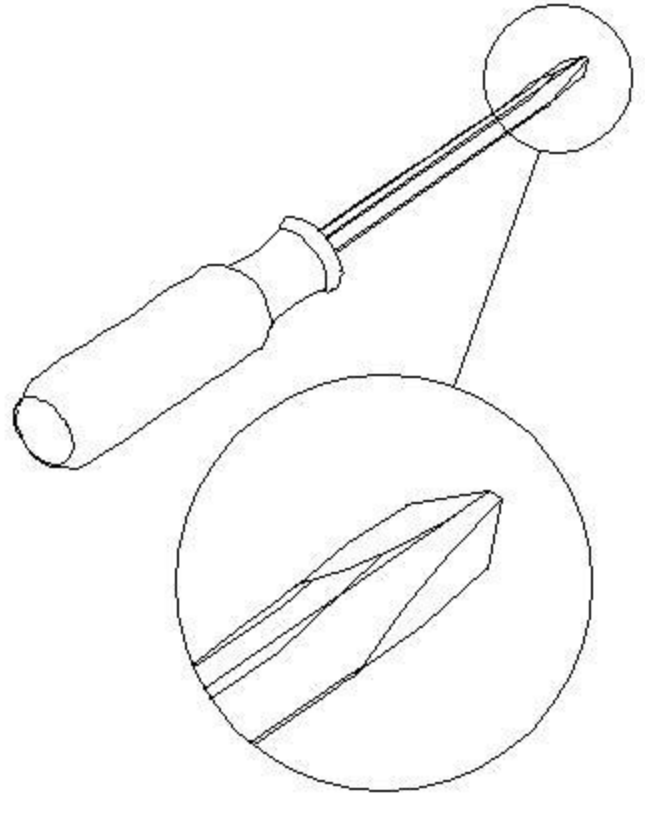


LFIP OVER

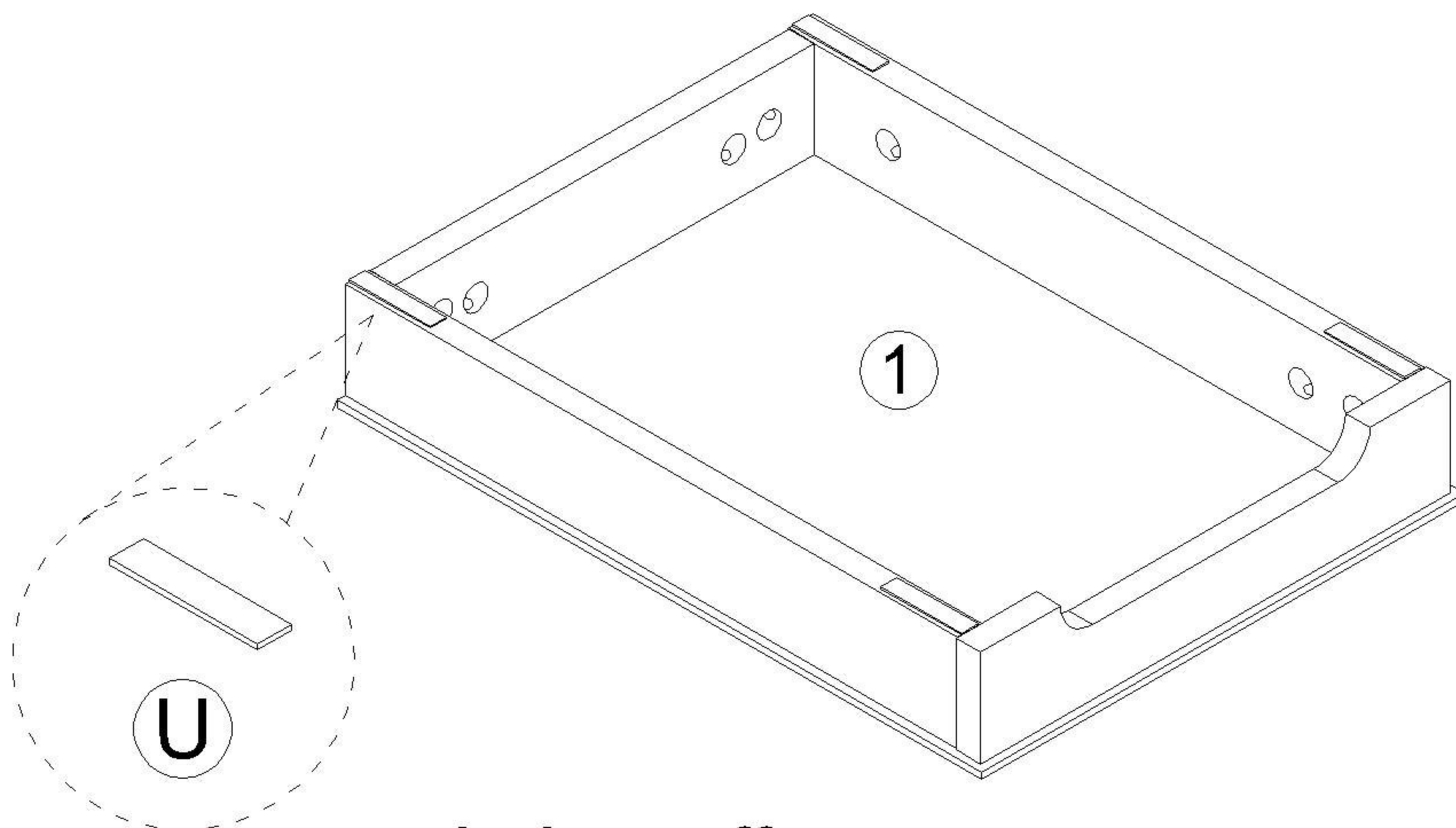
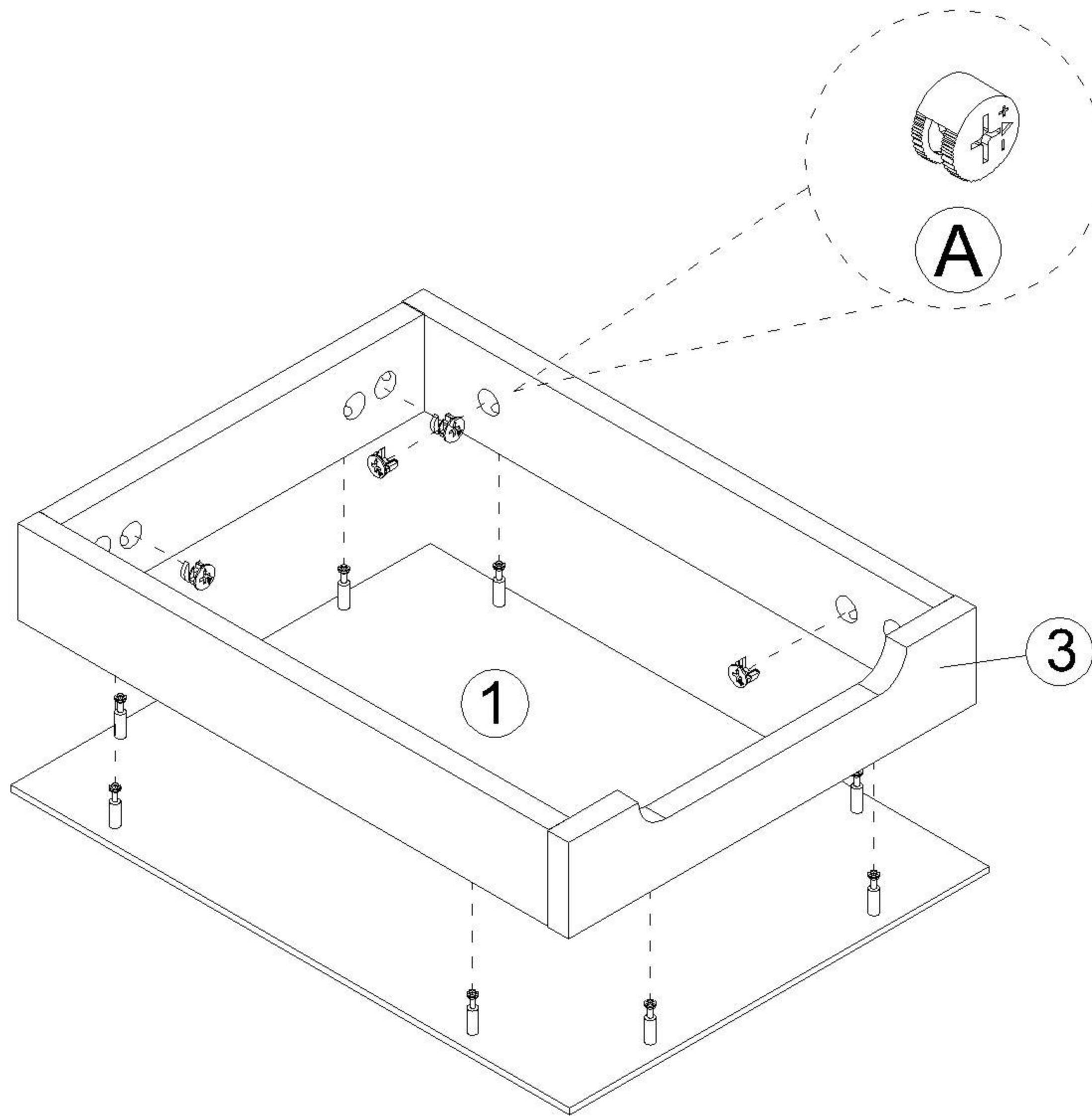
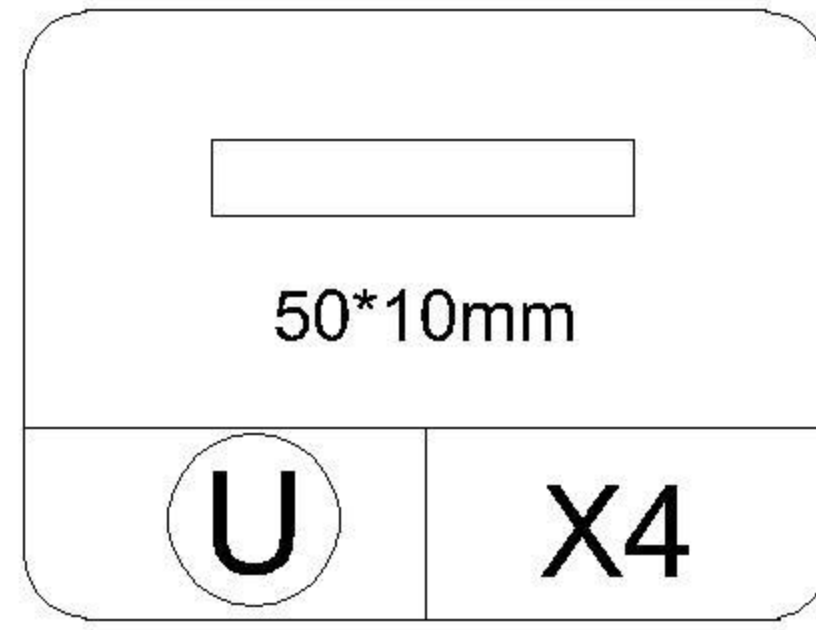
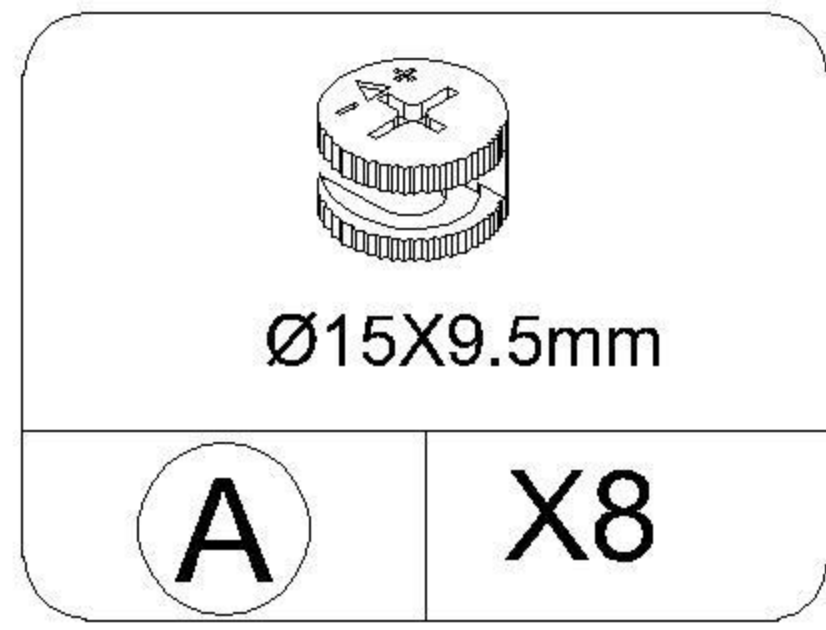
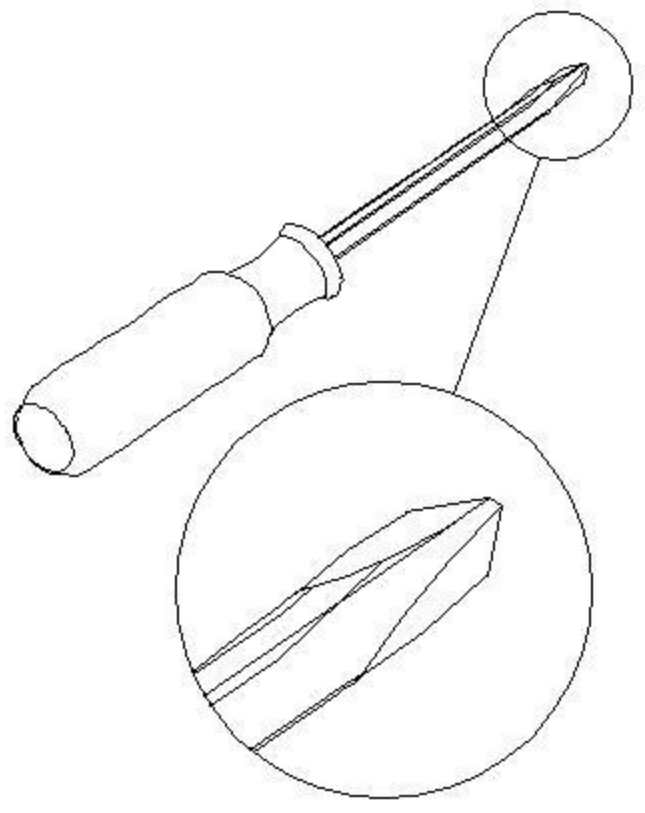


Proper orientation of CAM LOCK

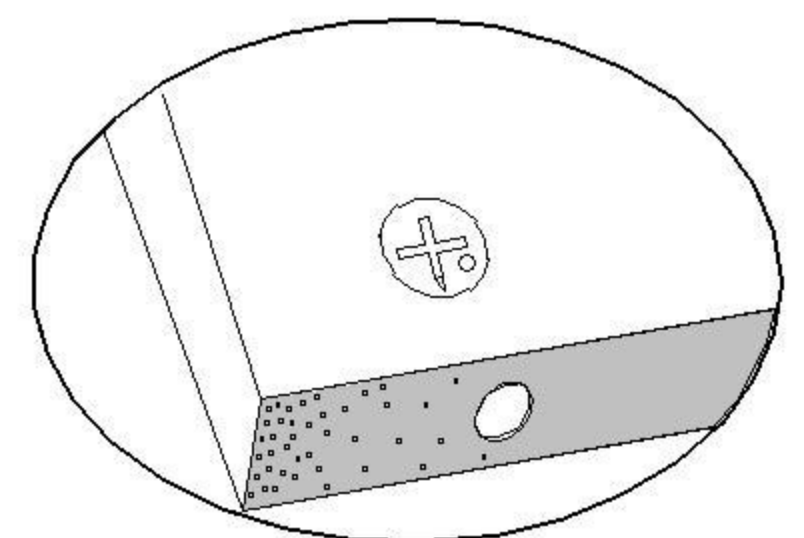
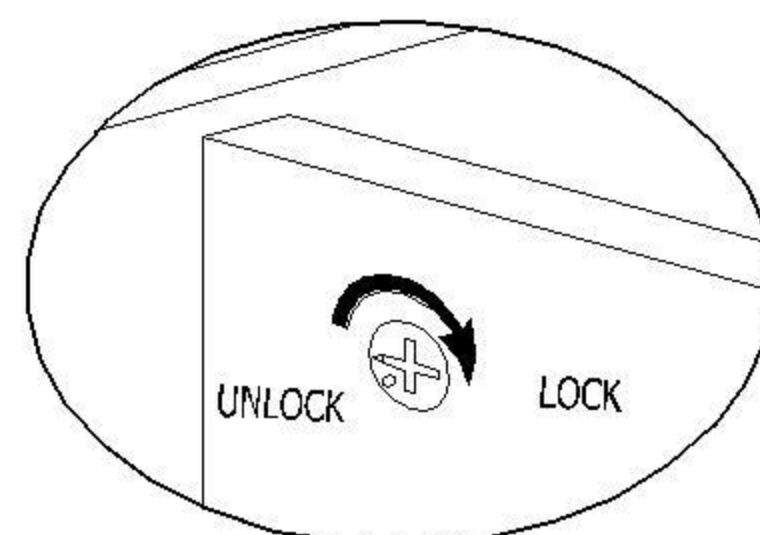
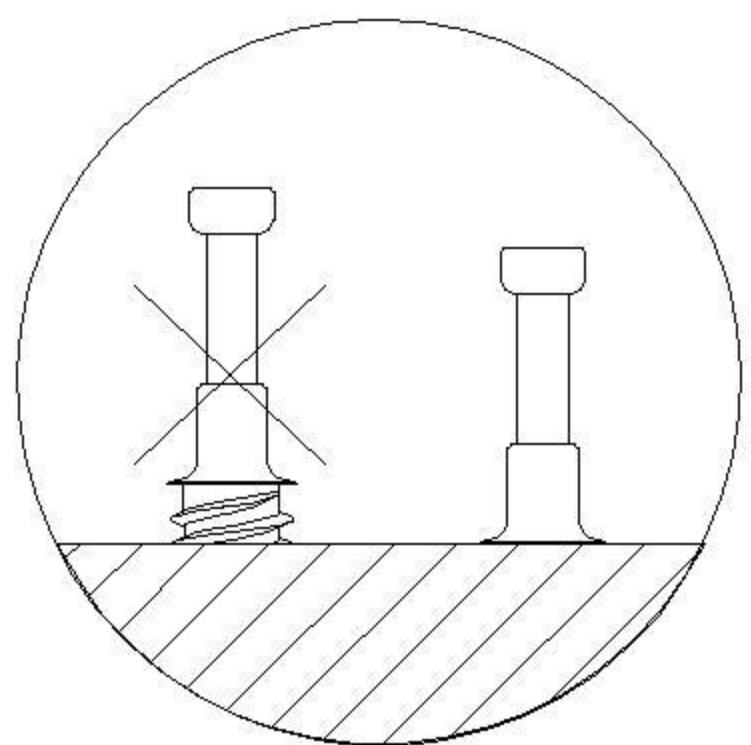
STEP 3



STEP 4

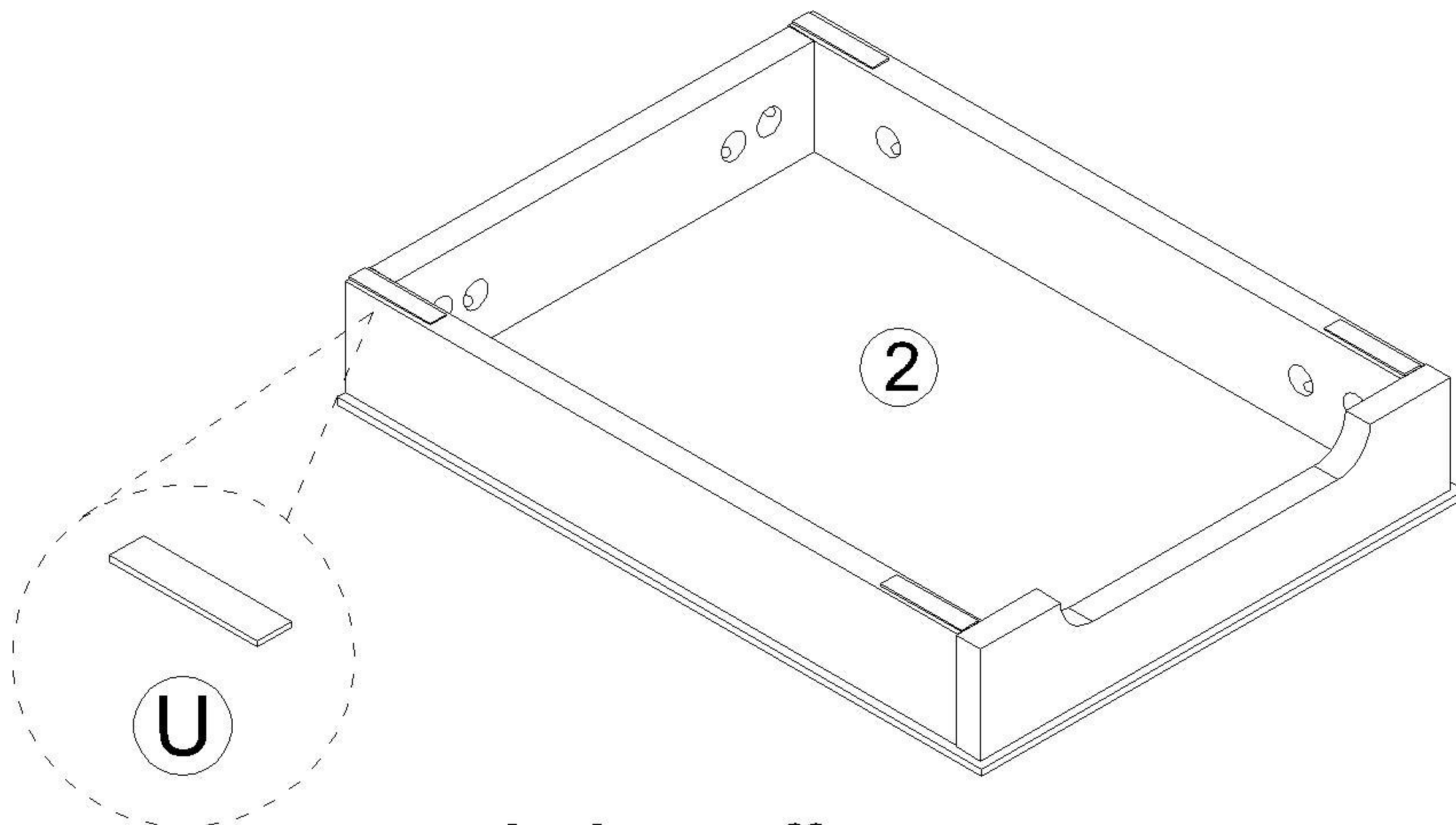
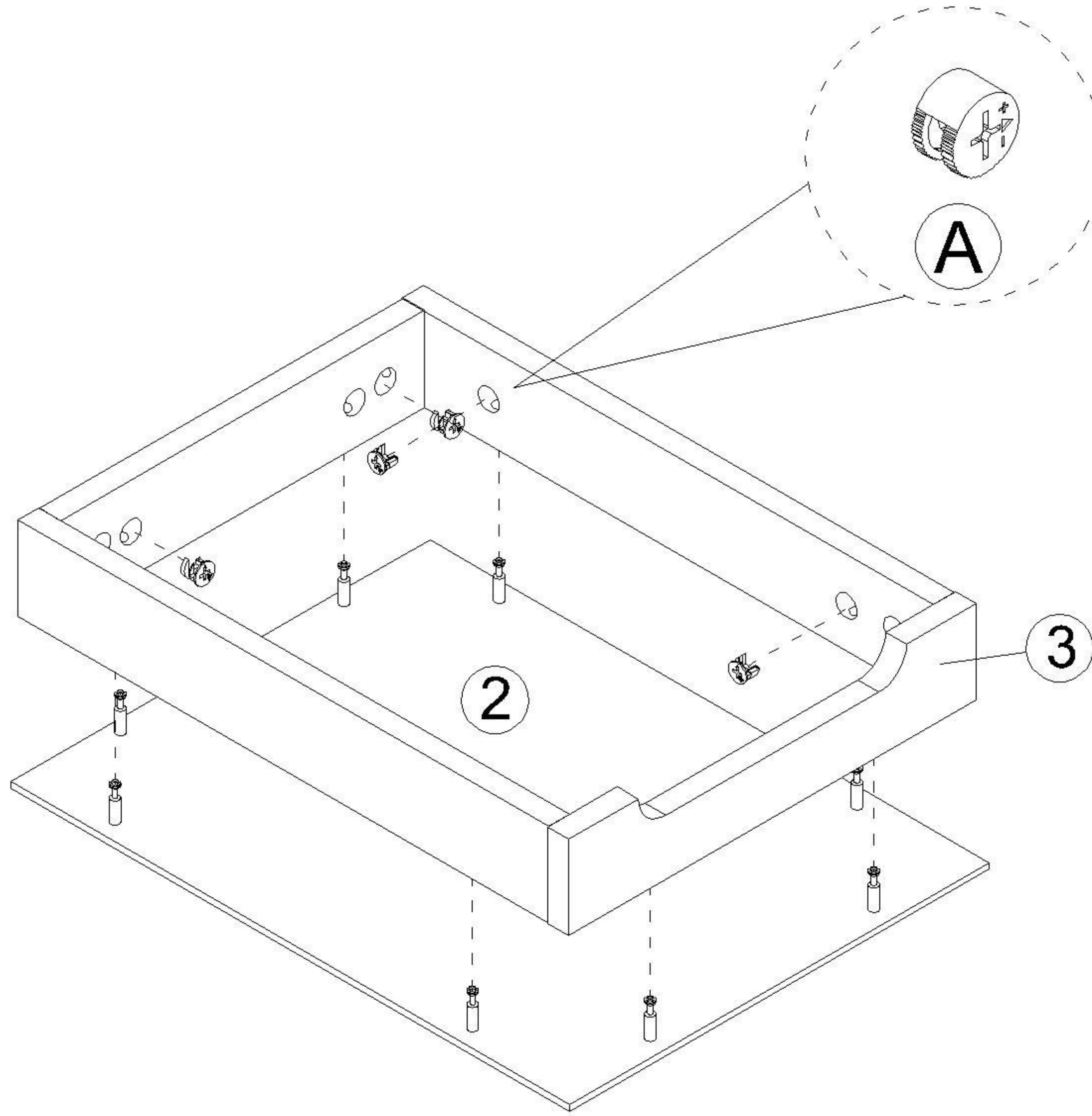
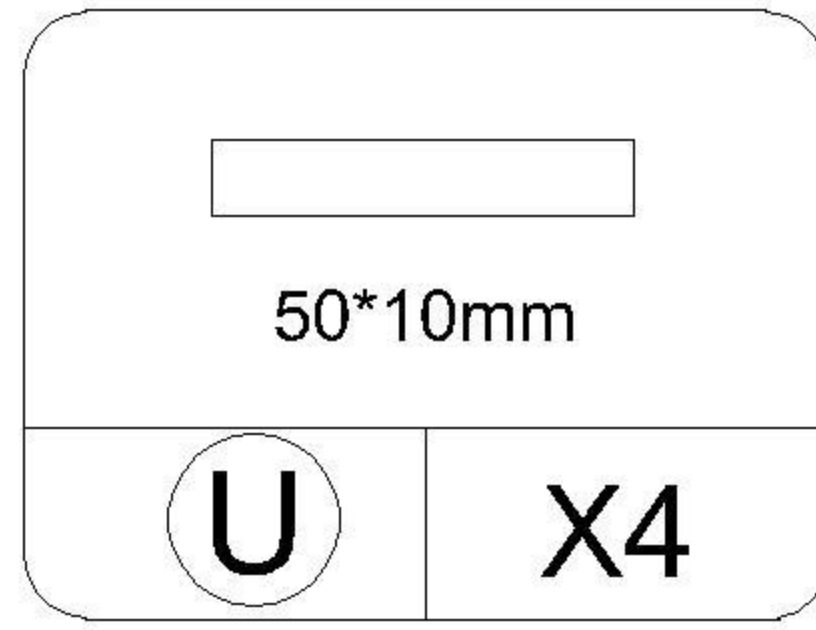
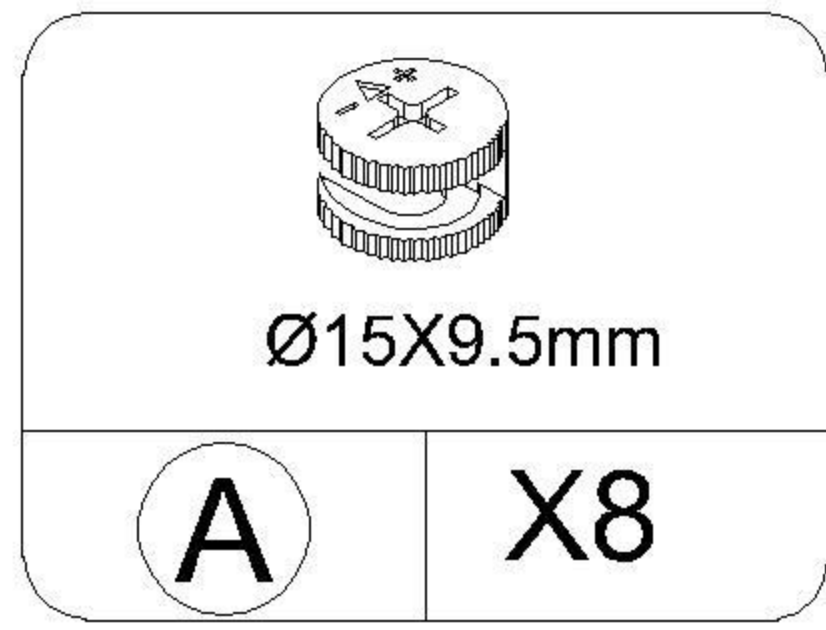
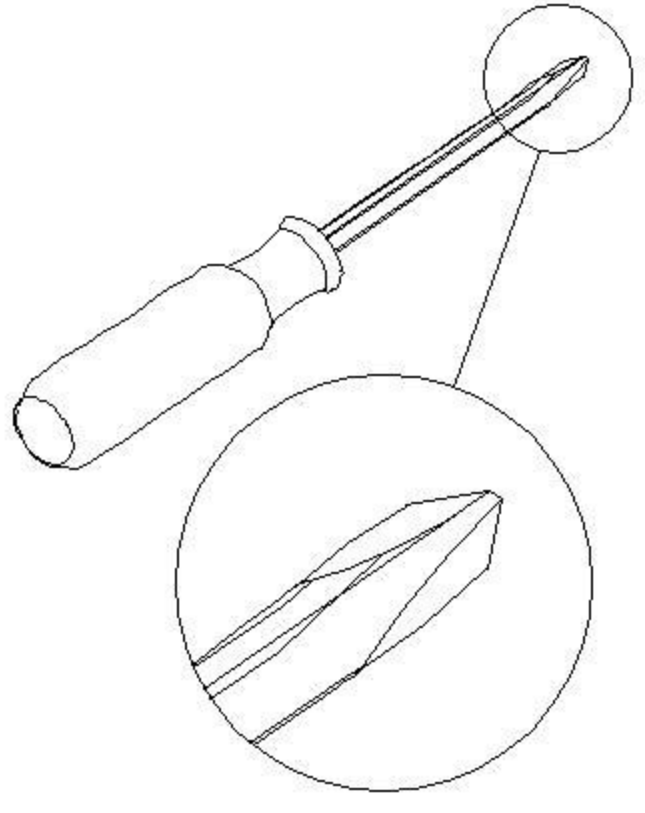


**Tear the layer off
then stick it on the
side panel**

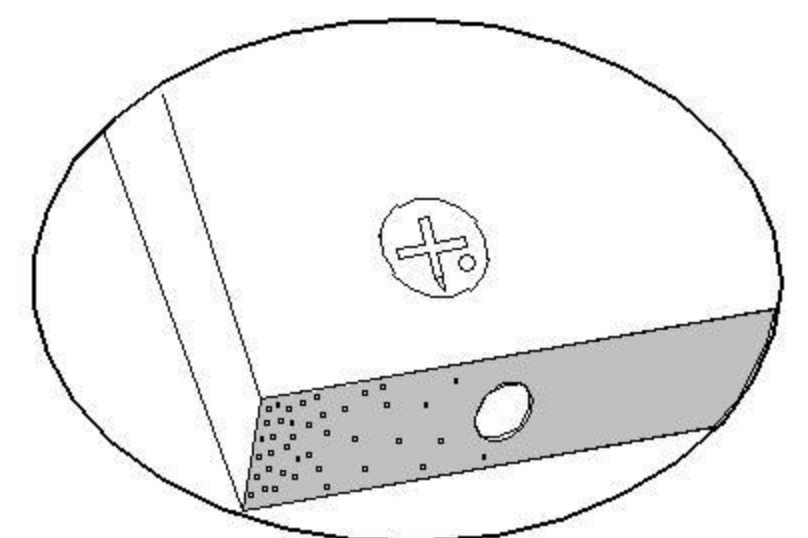
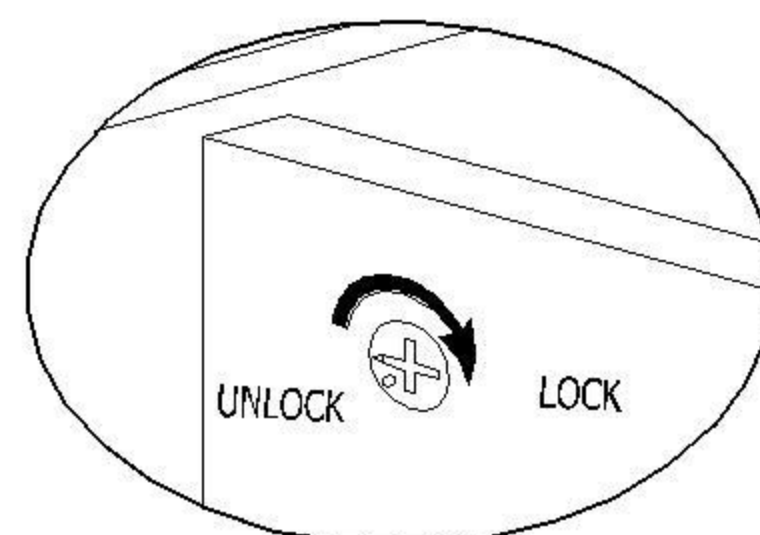
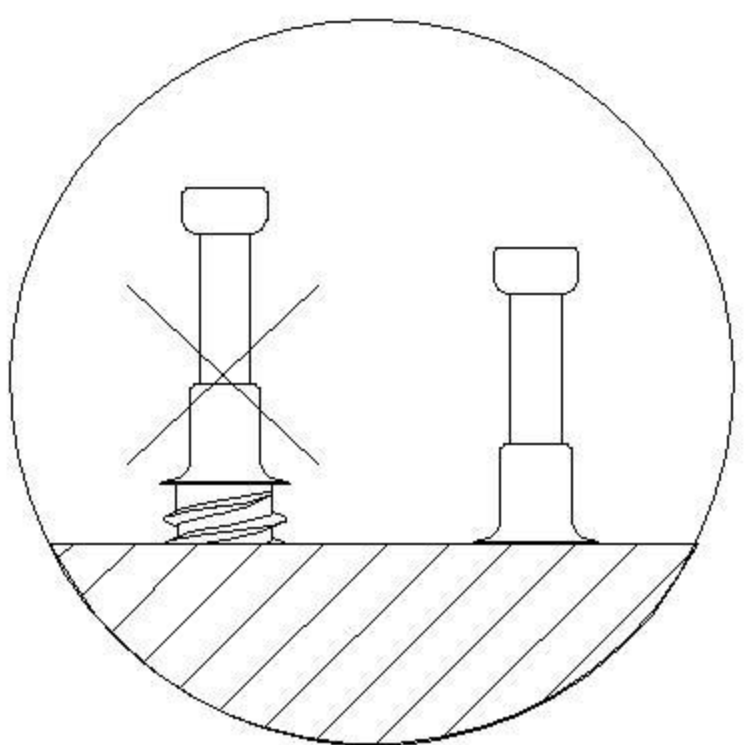


Proper orientation of CAM LOCK

STEP 5

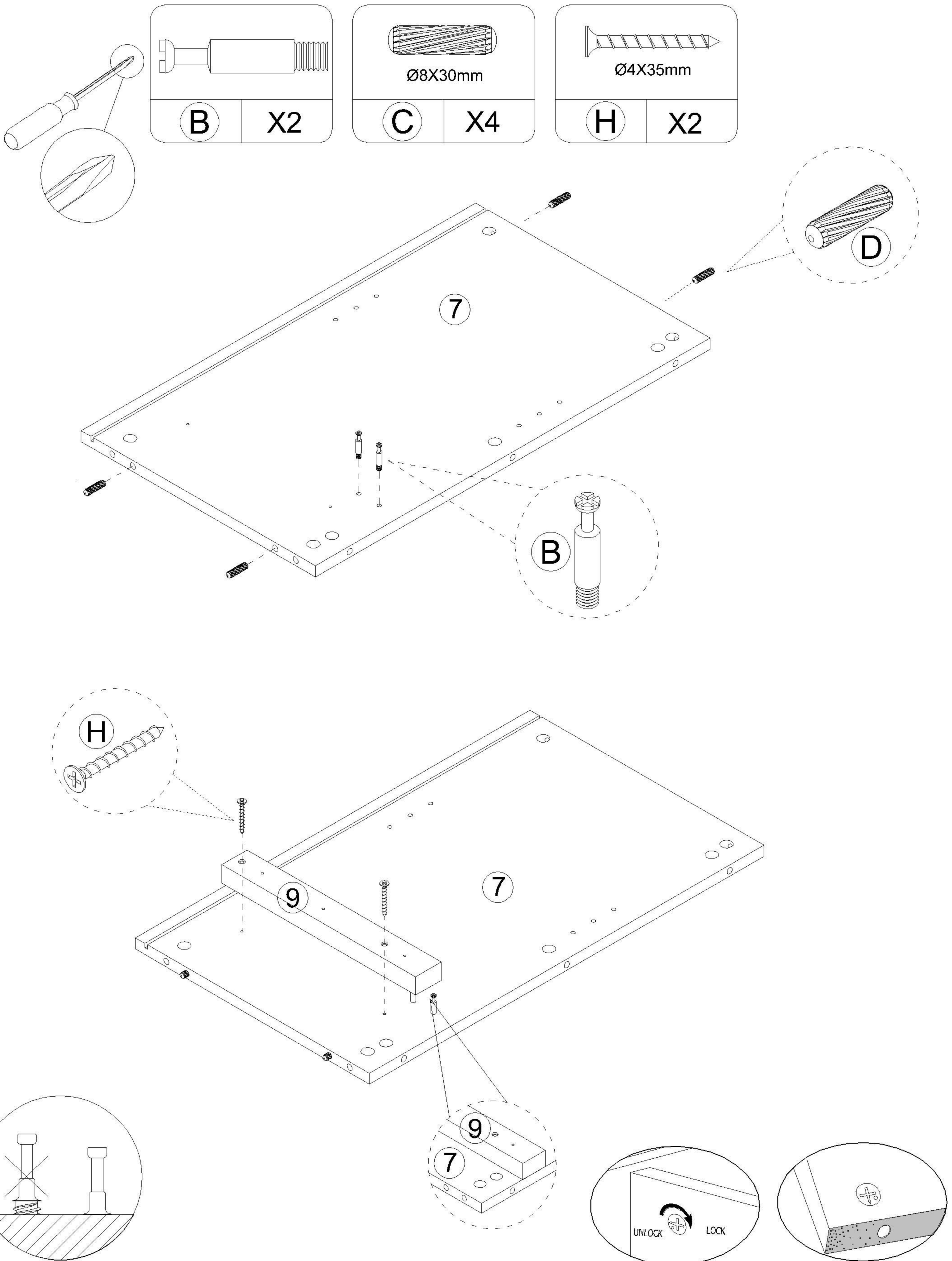


**Tear the layer off
then stick it on the
side panel**

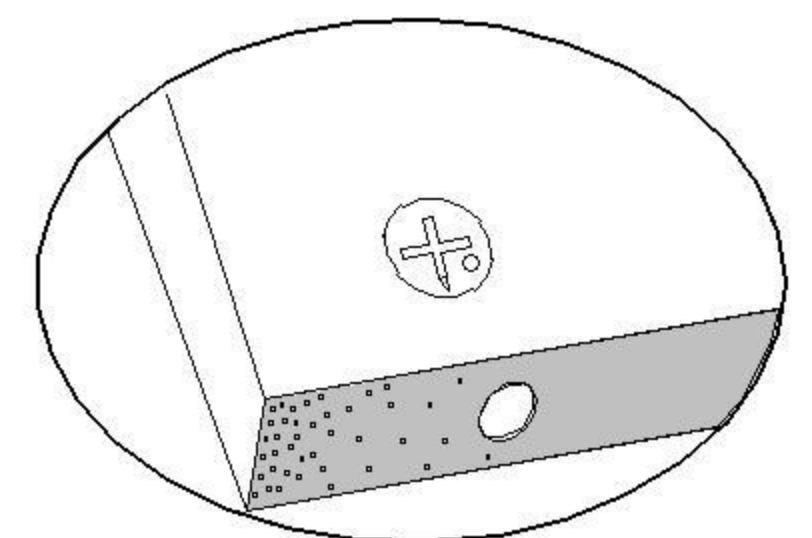
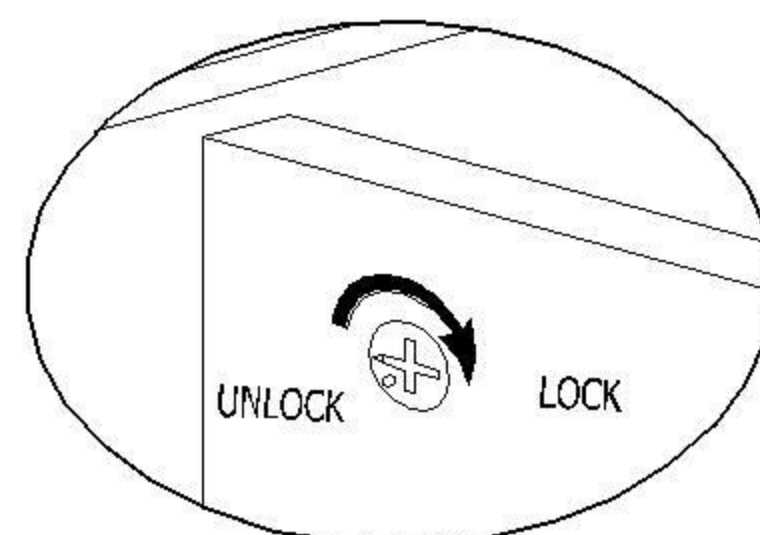
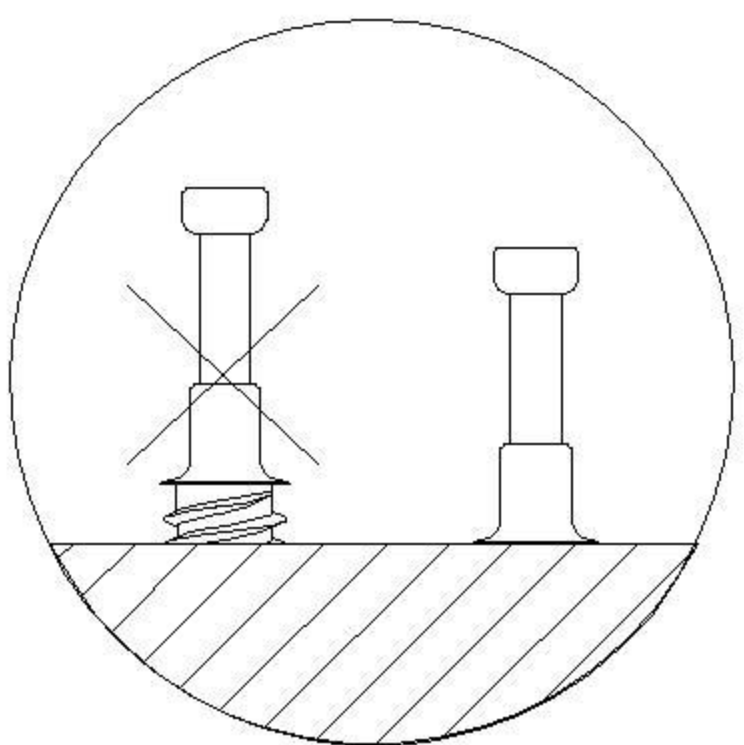
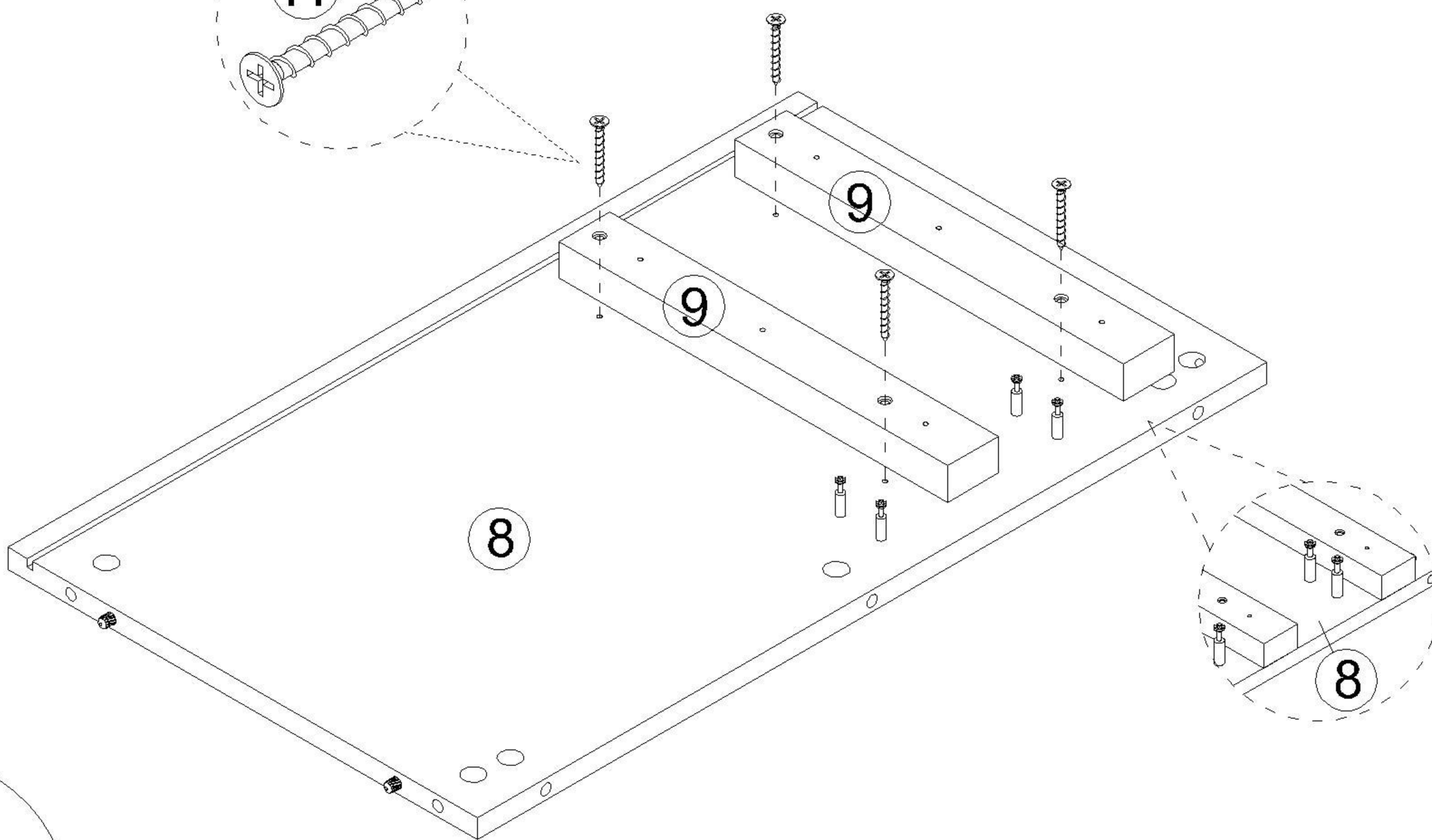
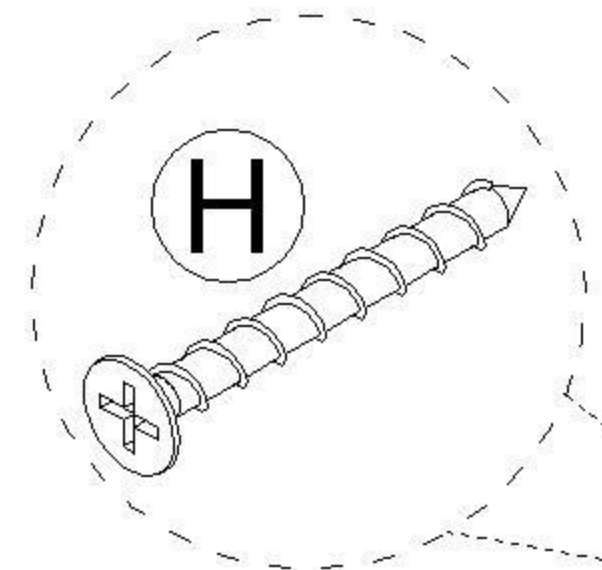
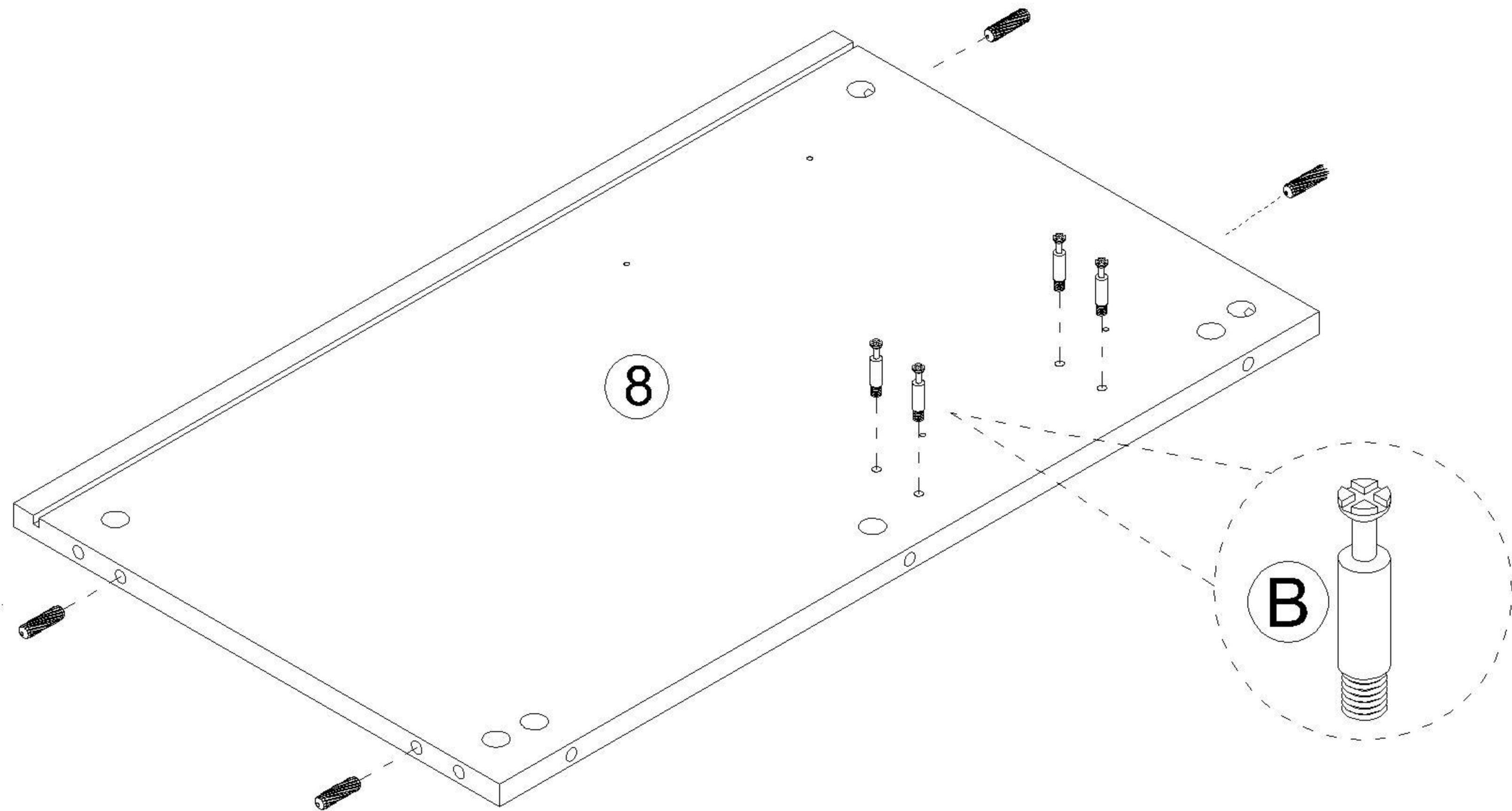
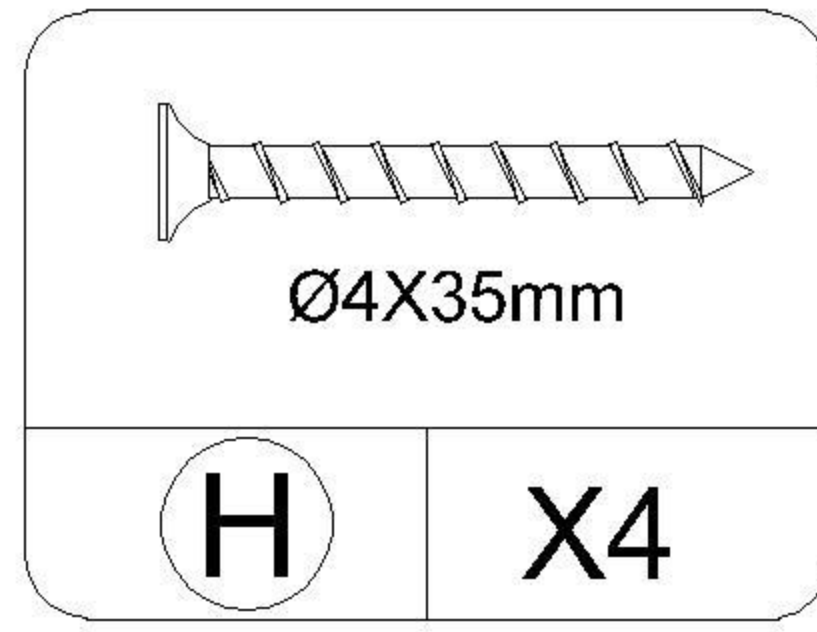
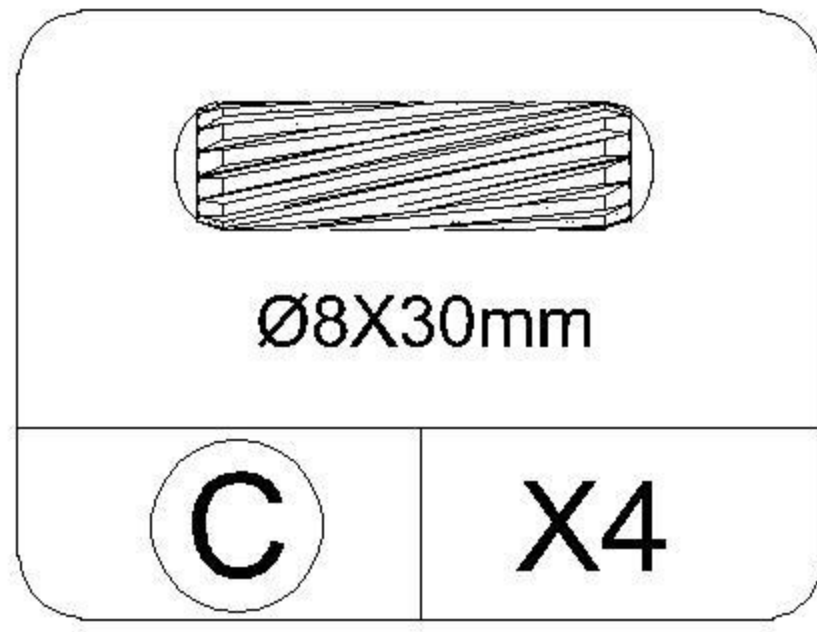
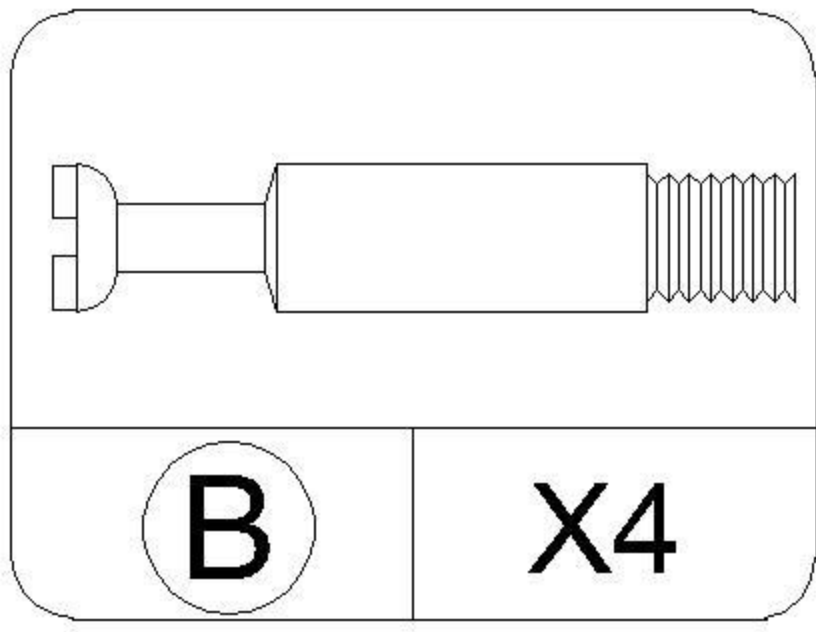
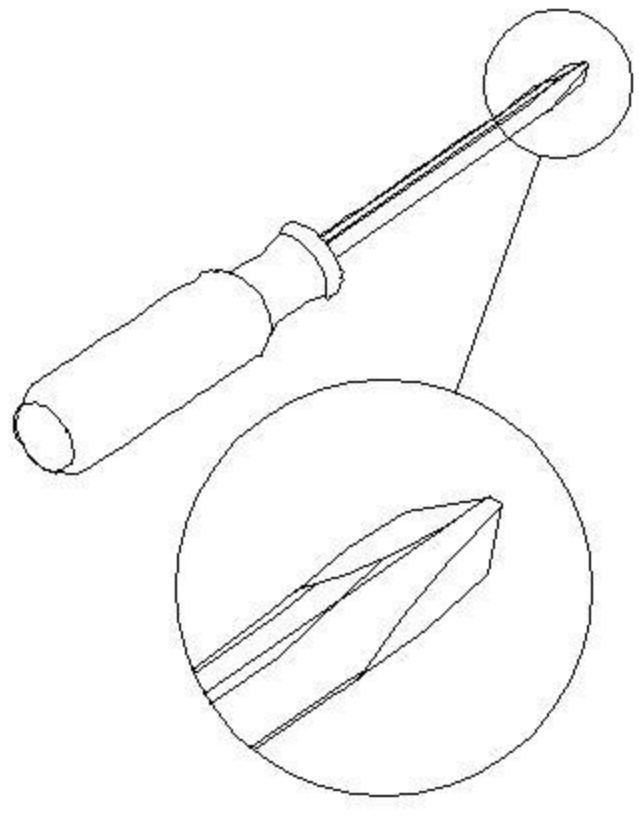


Proper orientation of CAM LOCK

STEP 6

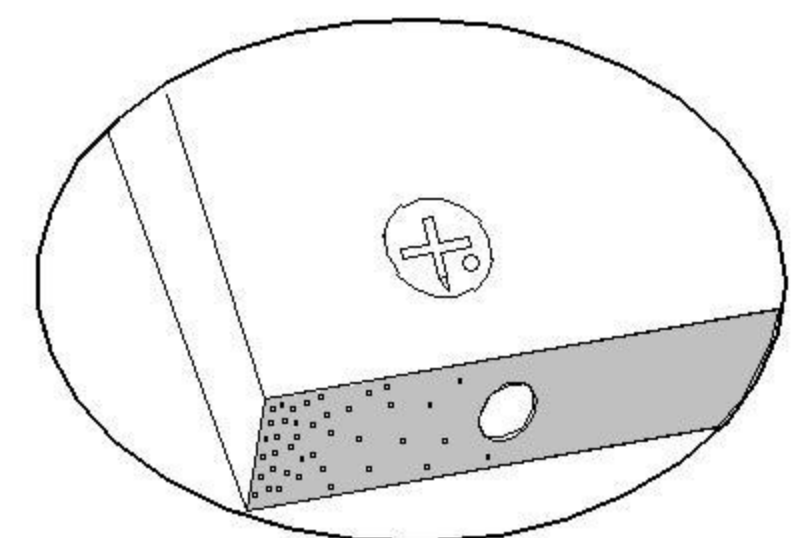
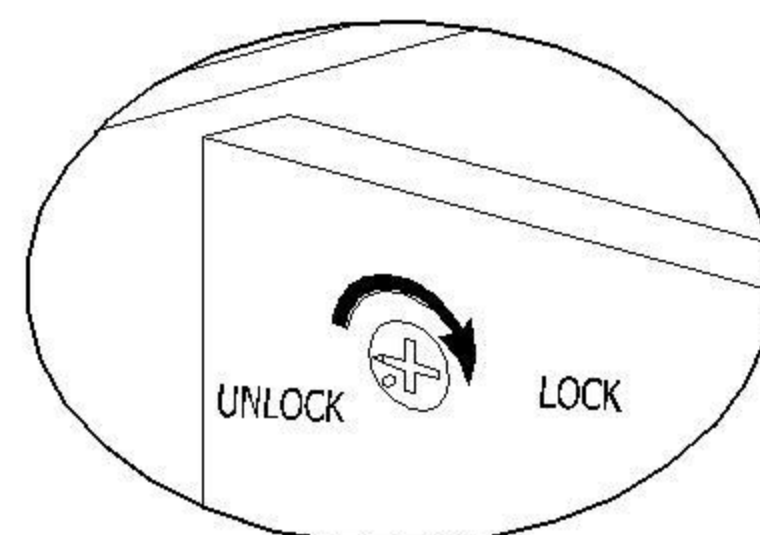
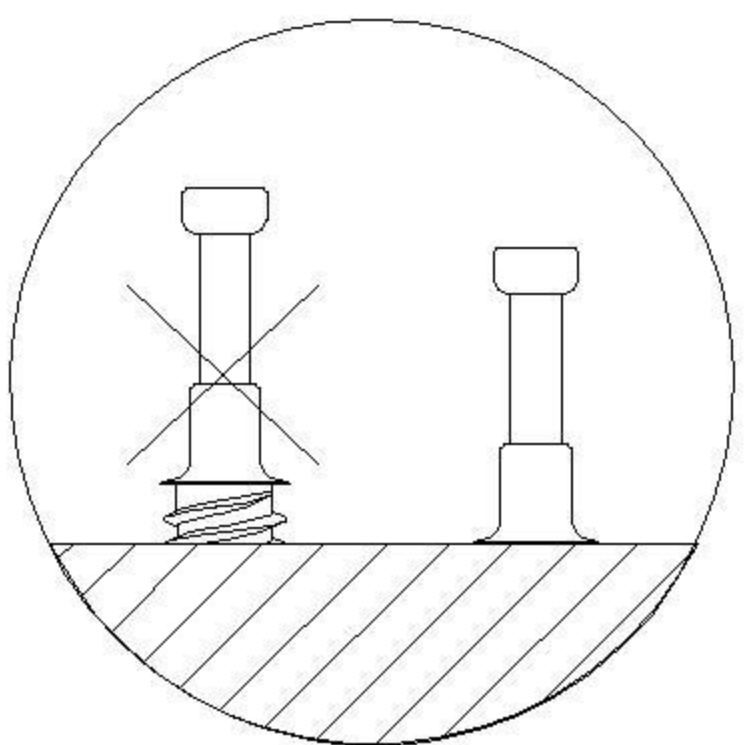
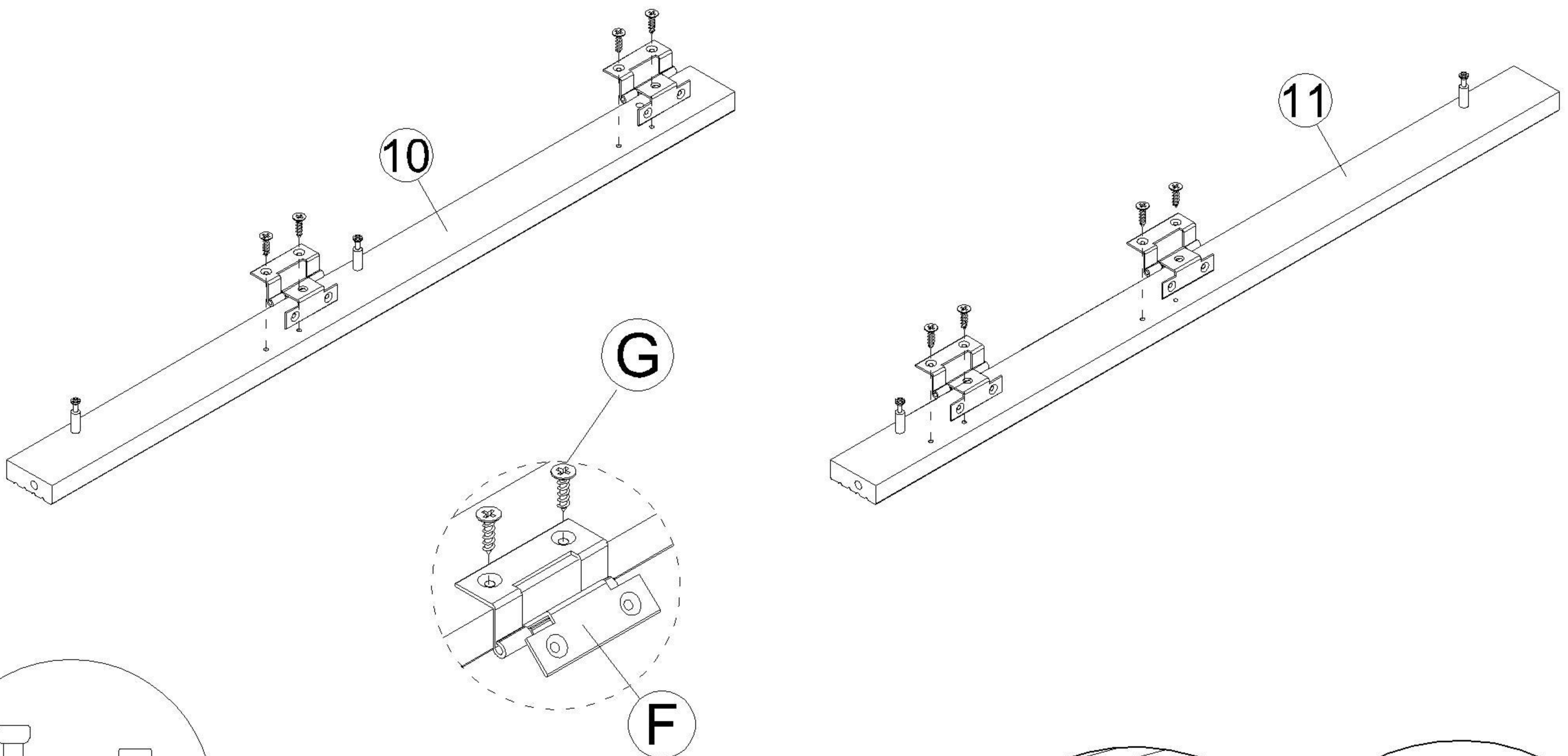
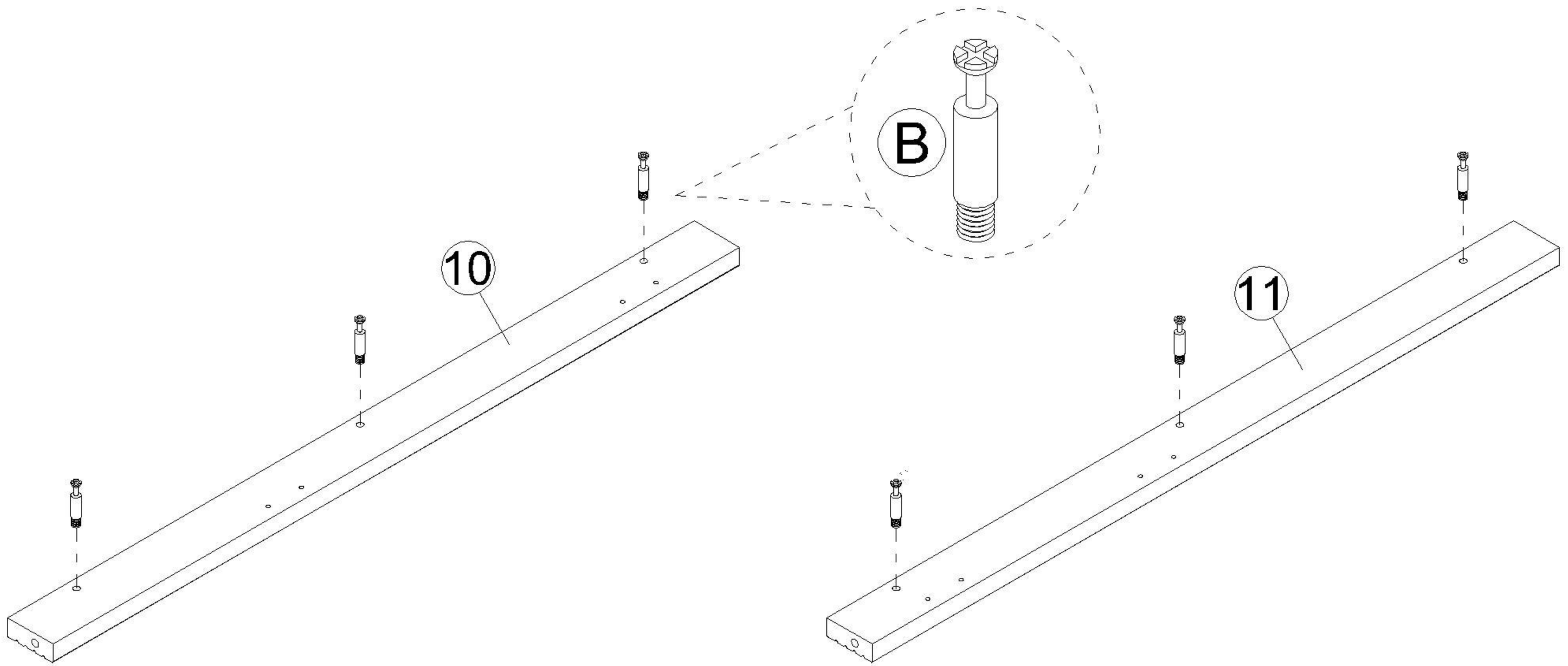
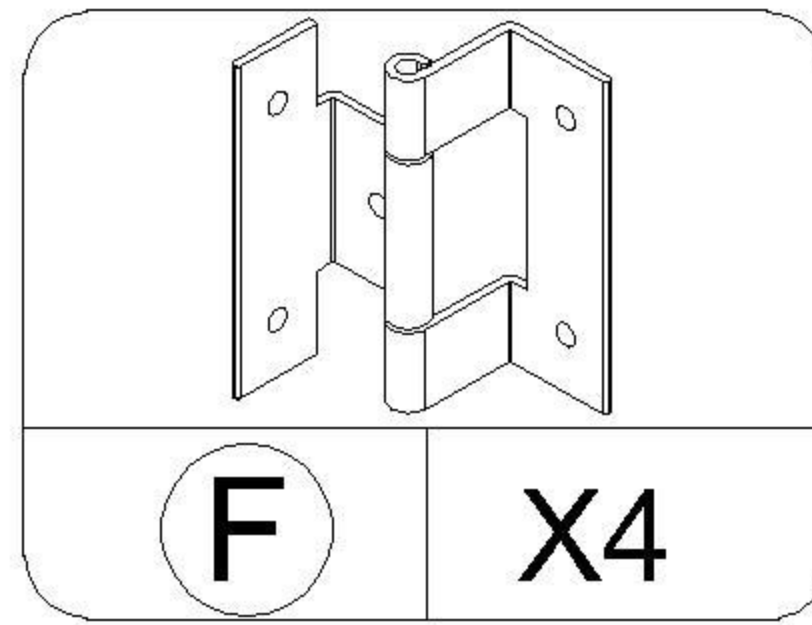
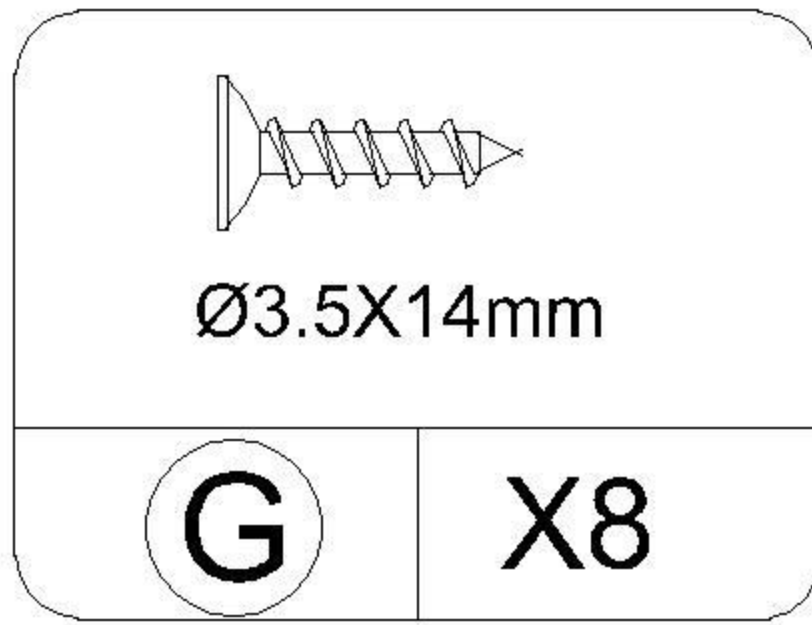
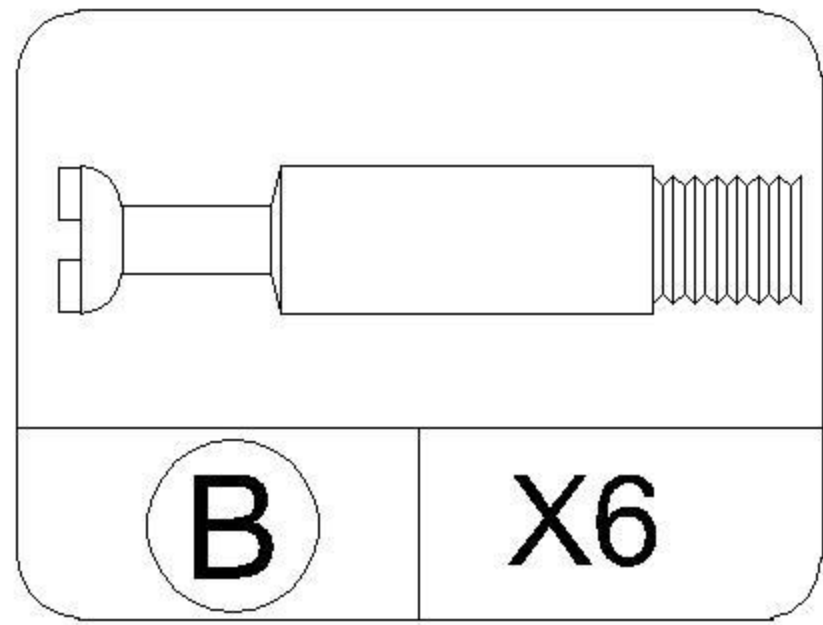
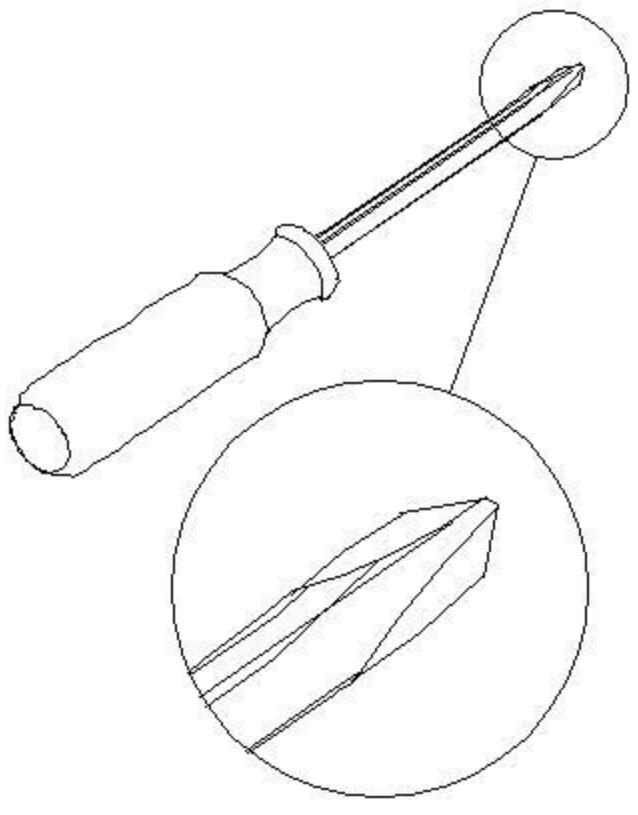


STEP 7



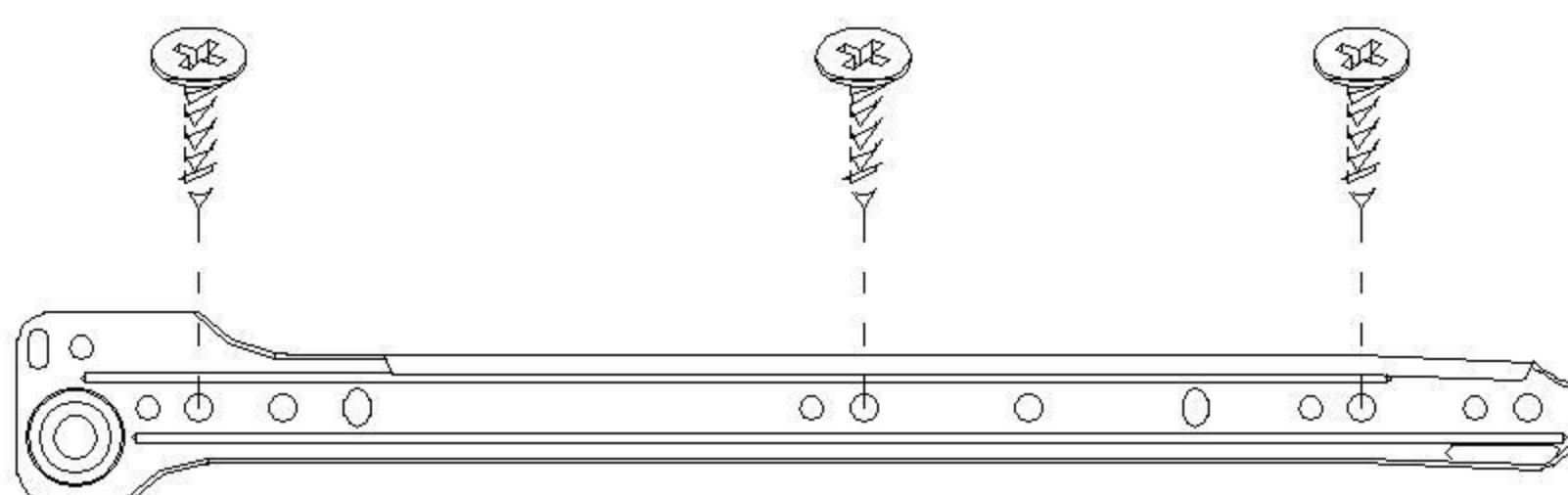
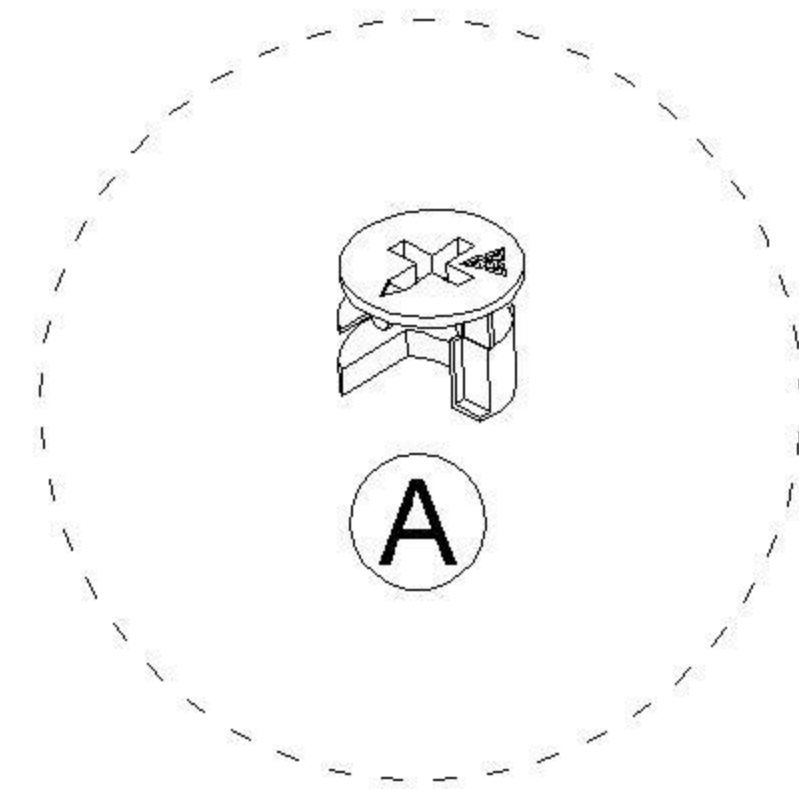
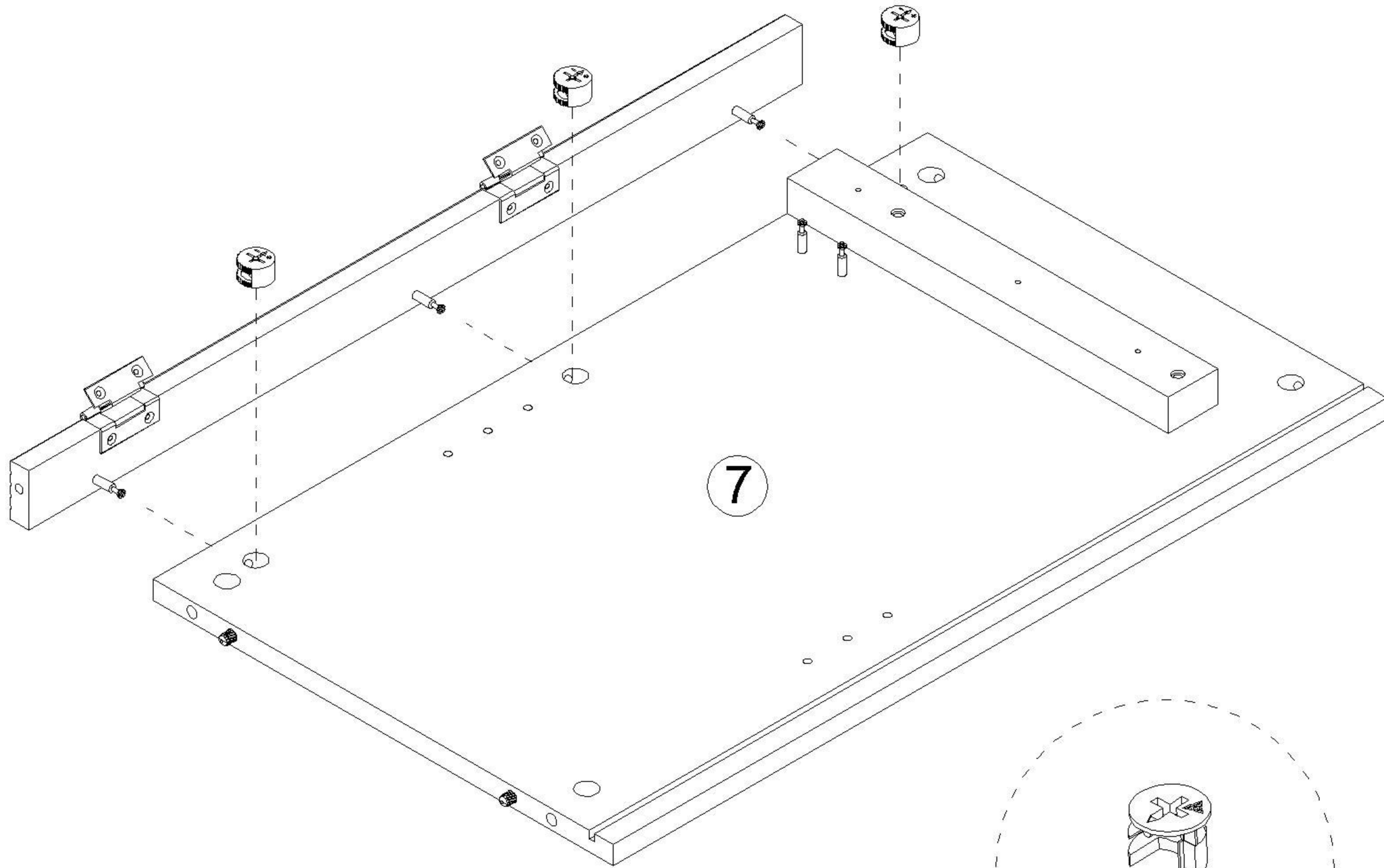
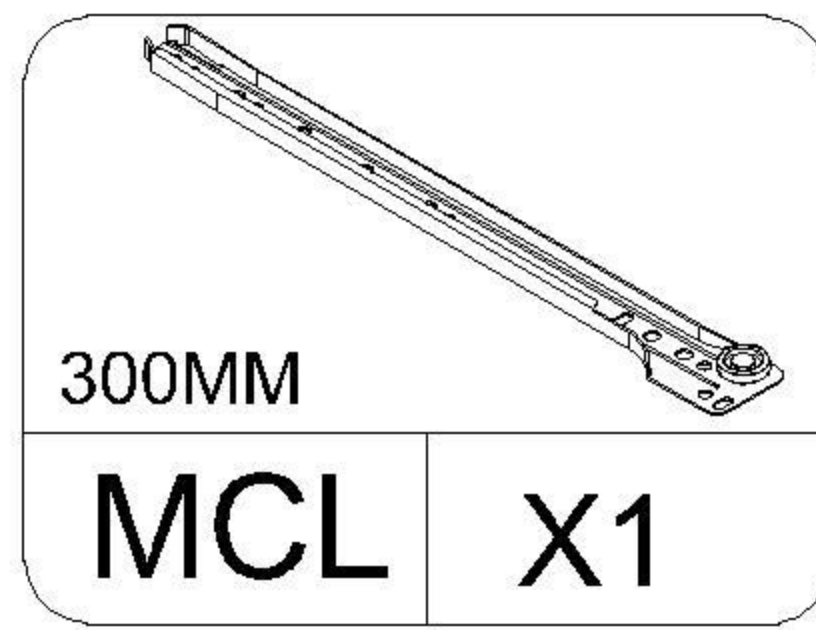
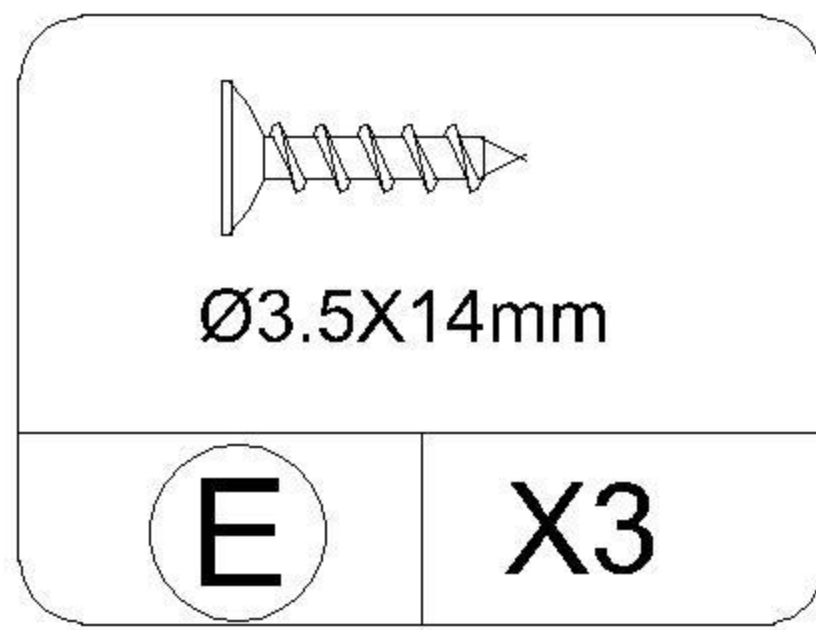
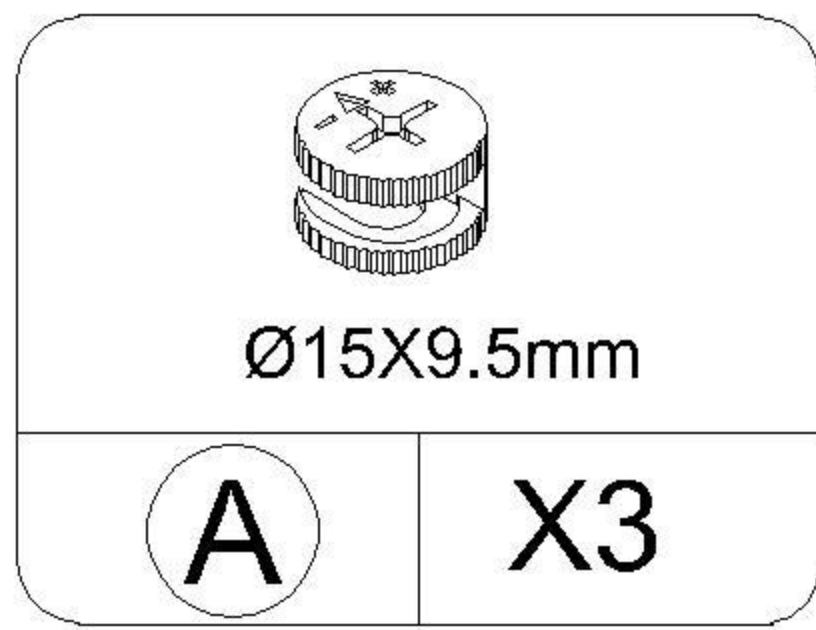
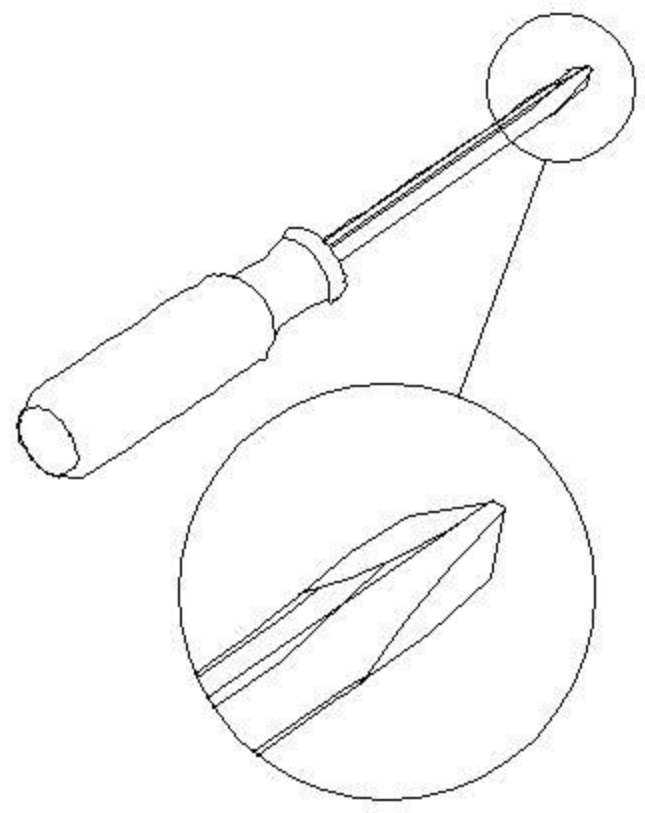
Proper orientation of CAM LOCK

STEP 8

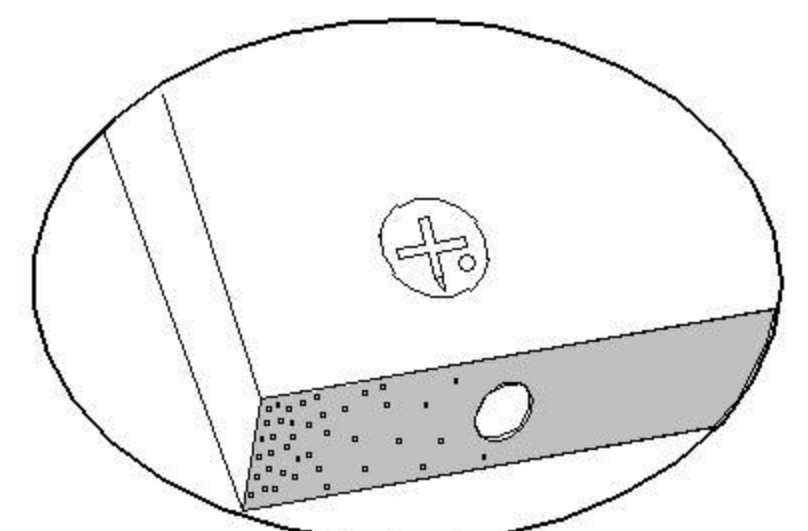
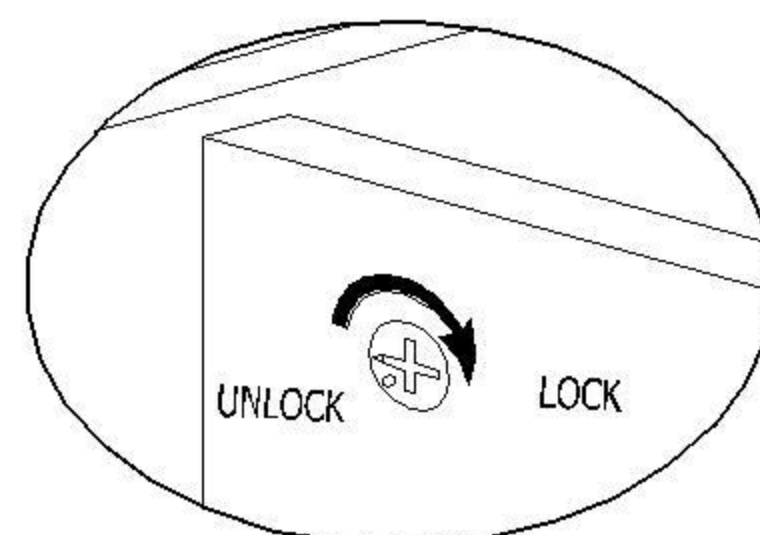
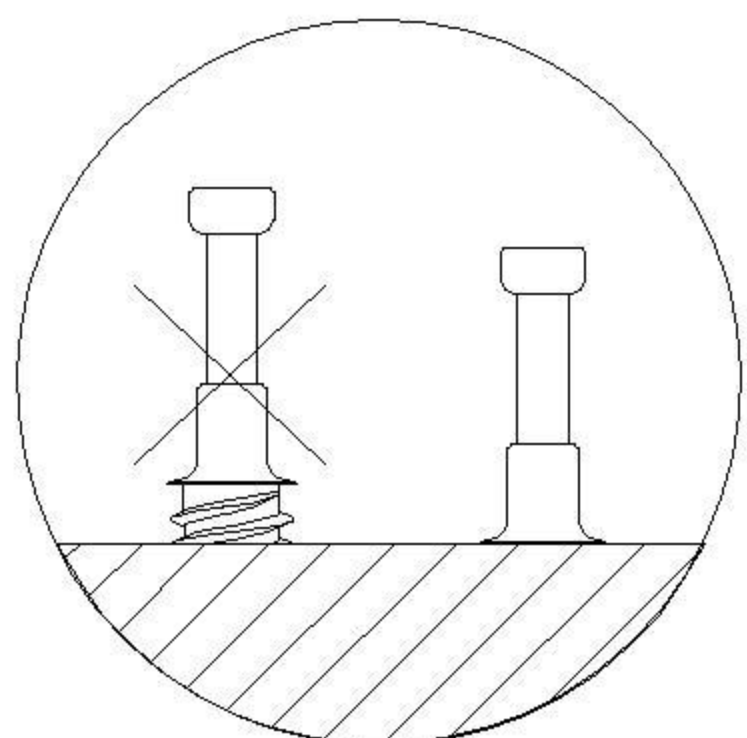
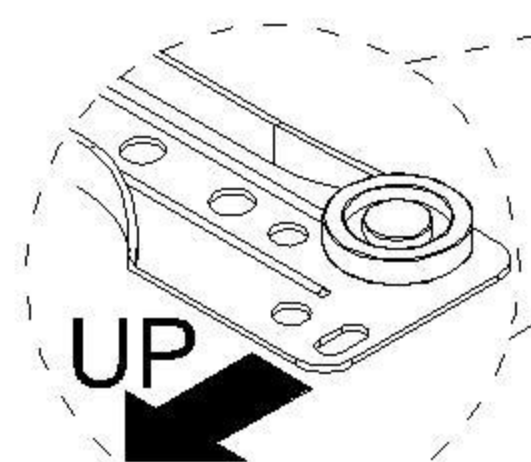
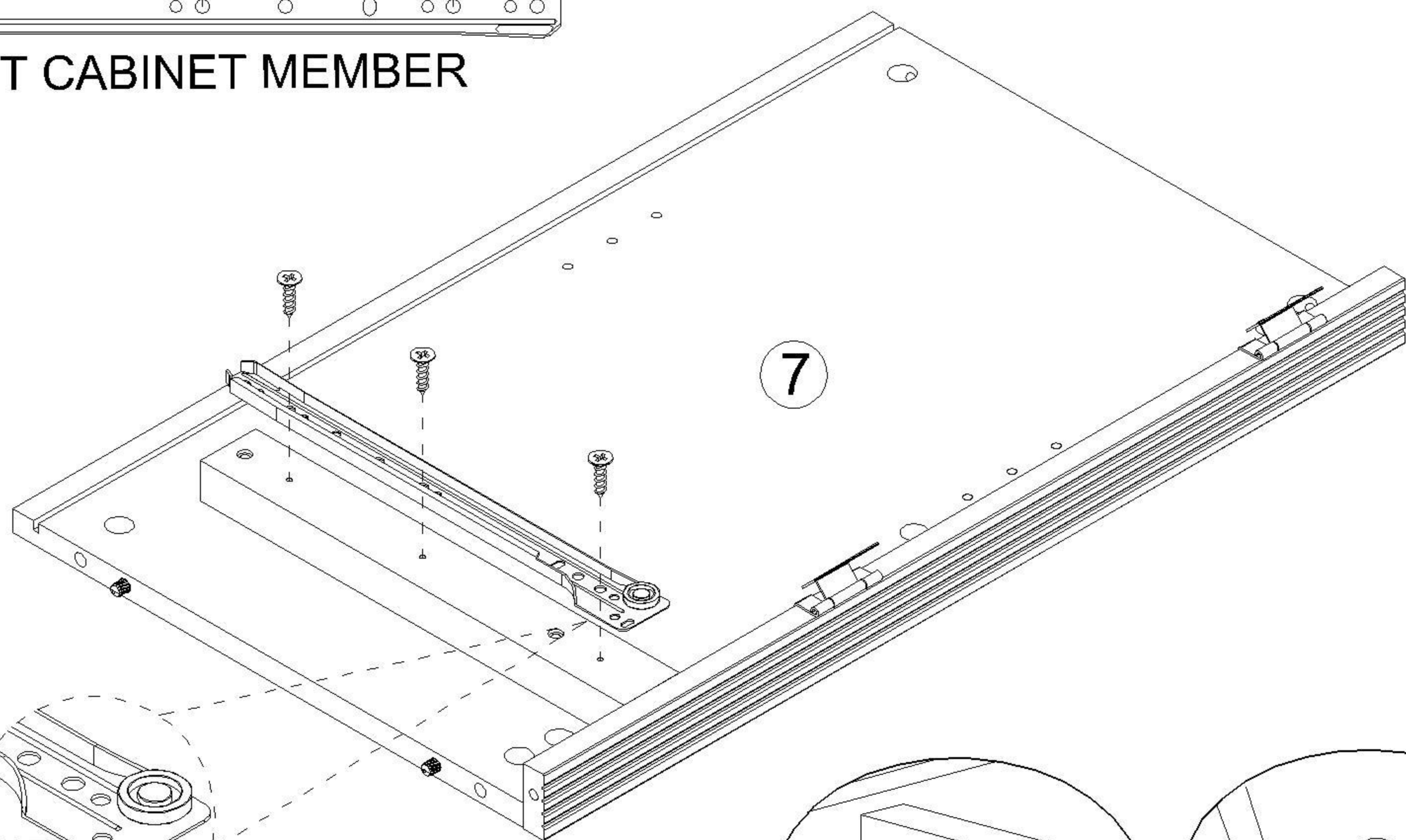
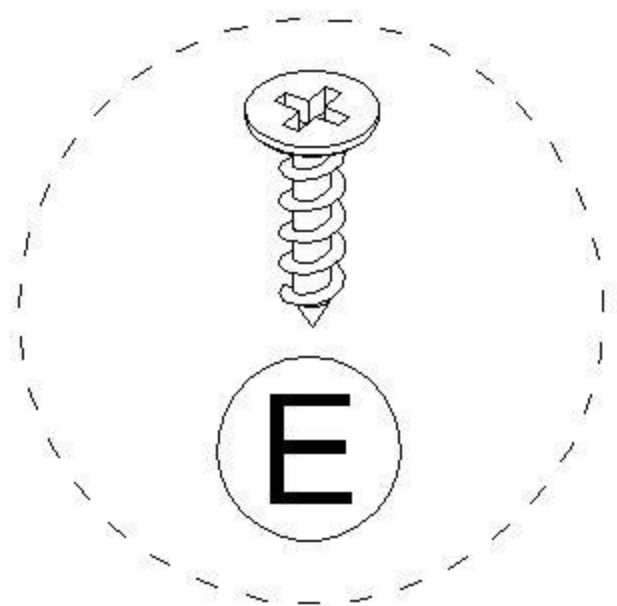


Proper orientation of CAM LOCK

STEP 9

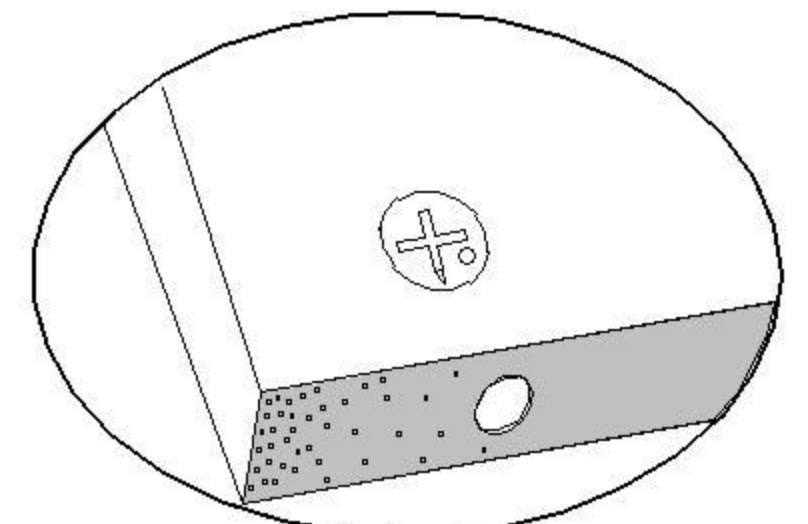
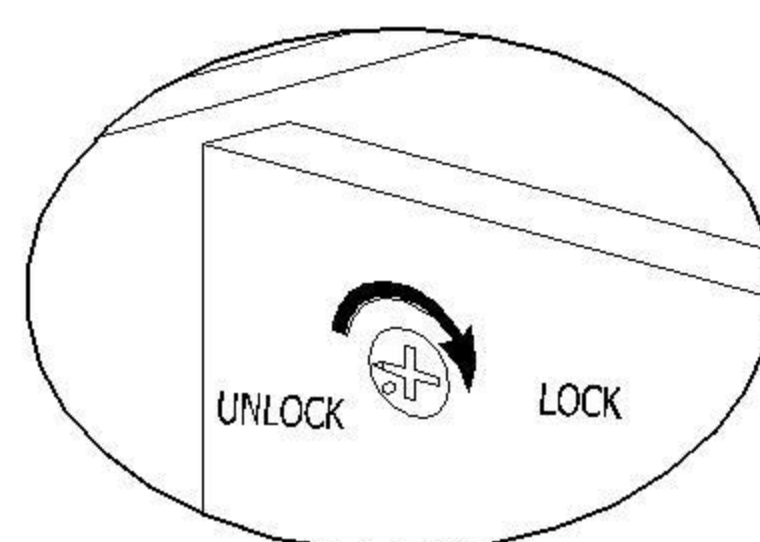
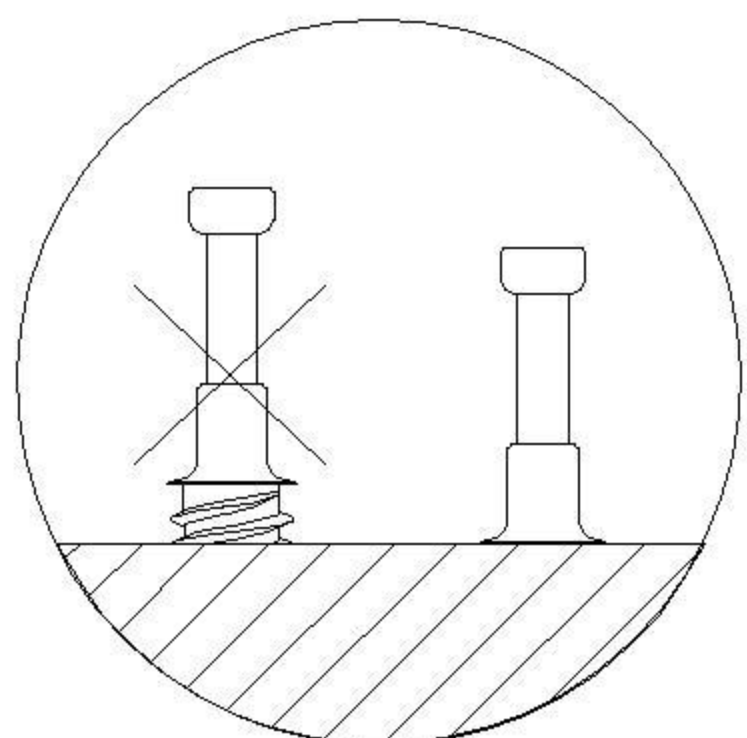
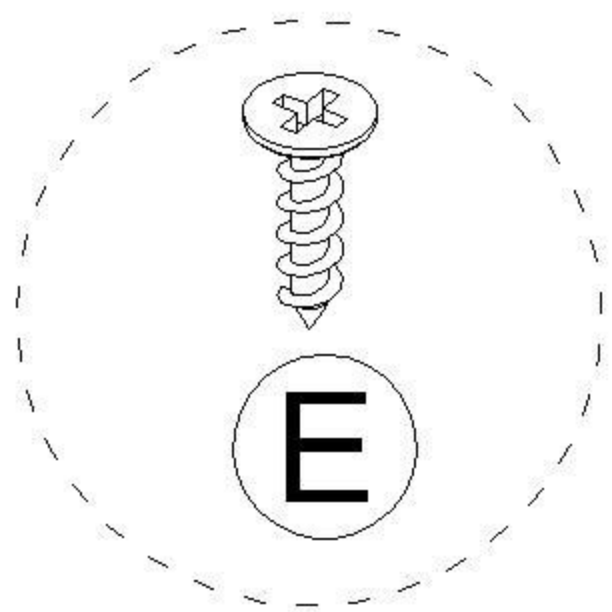
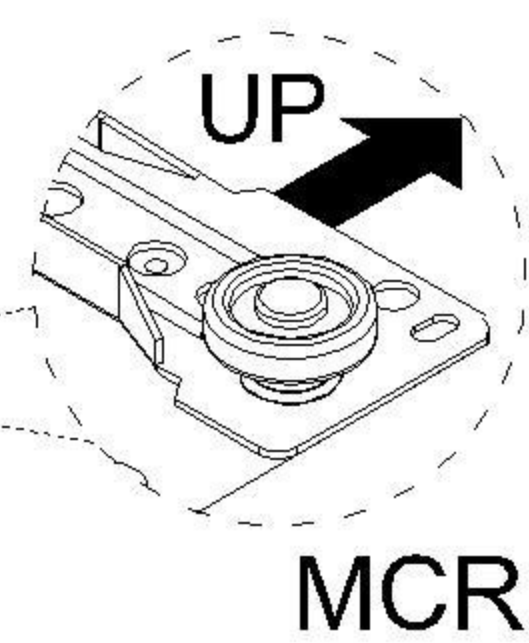
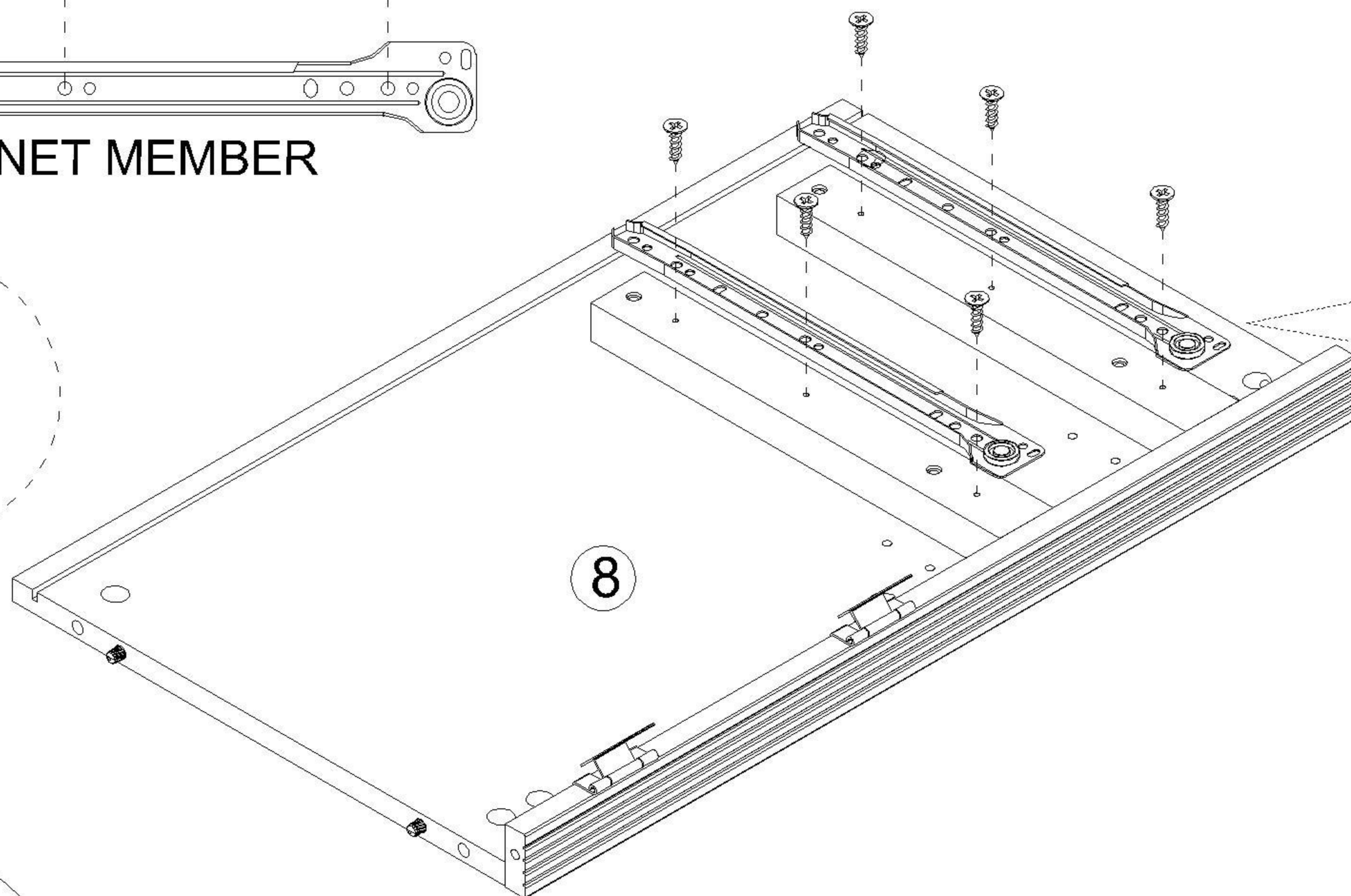
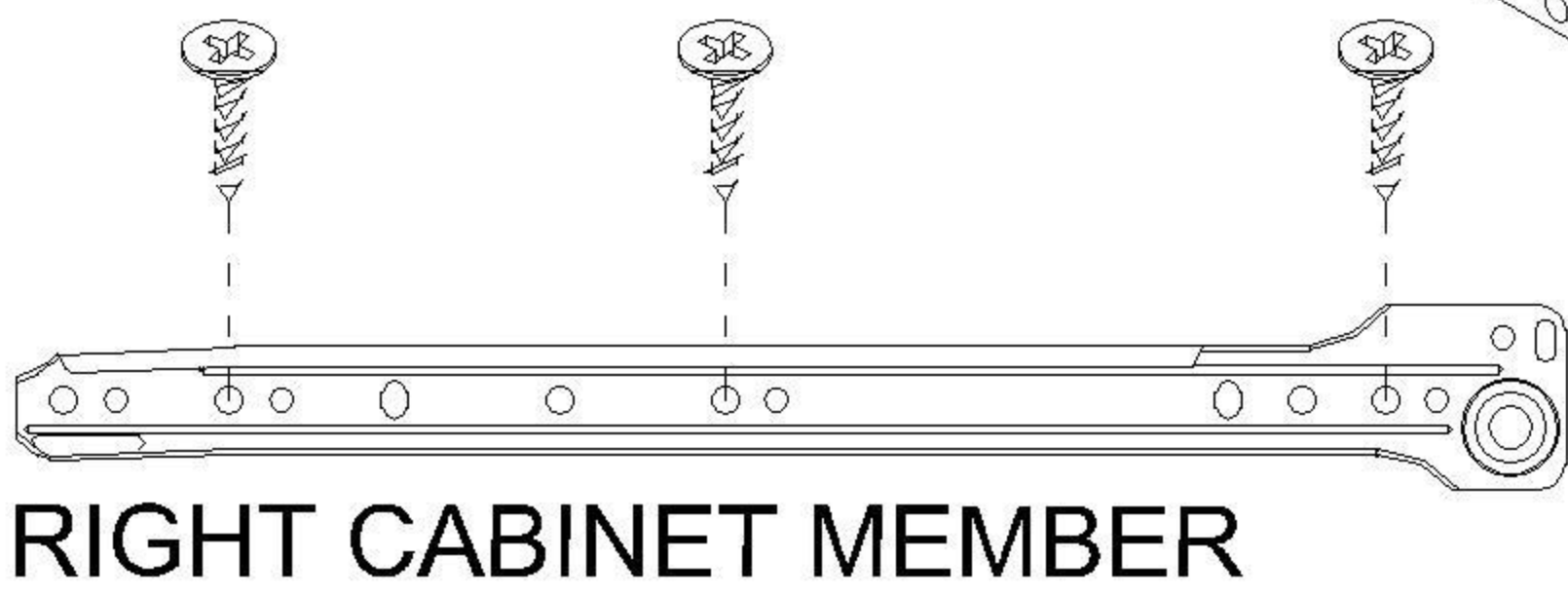
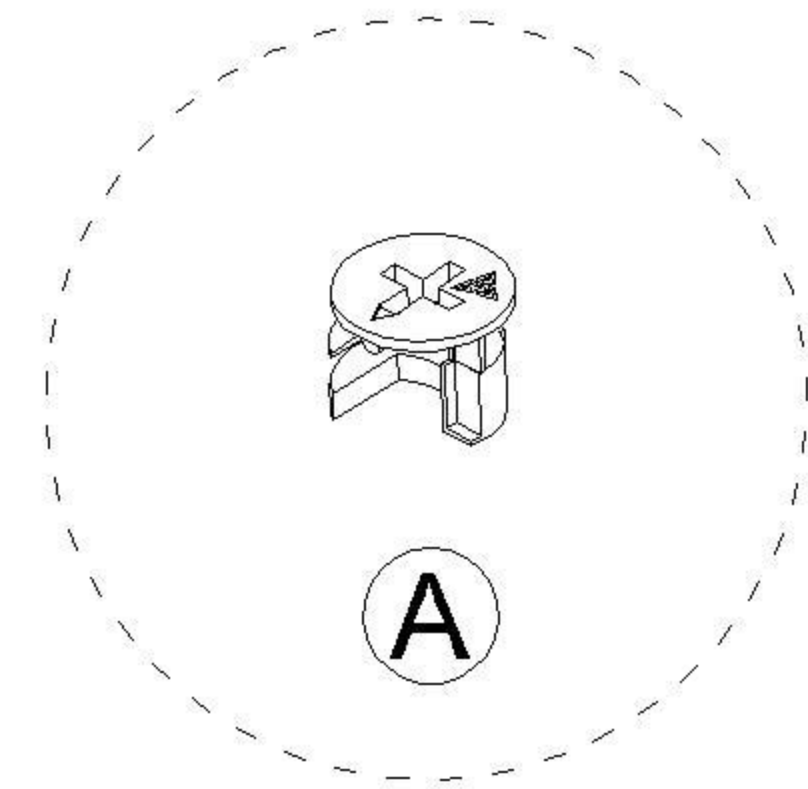
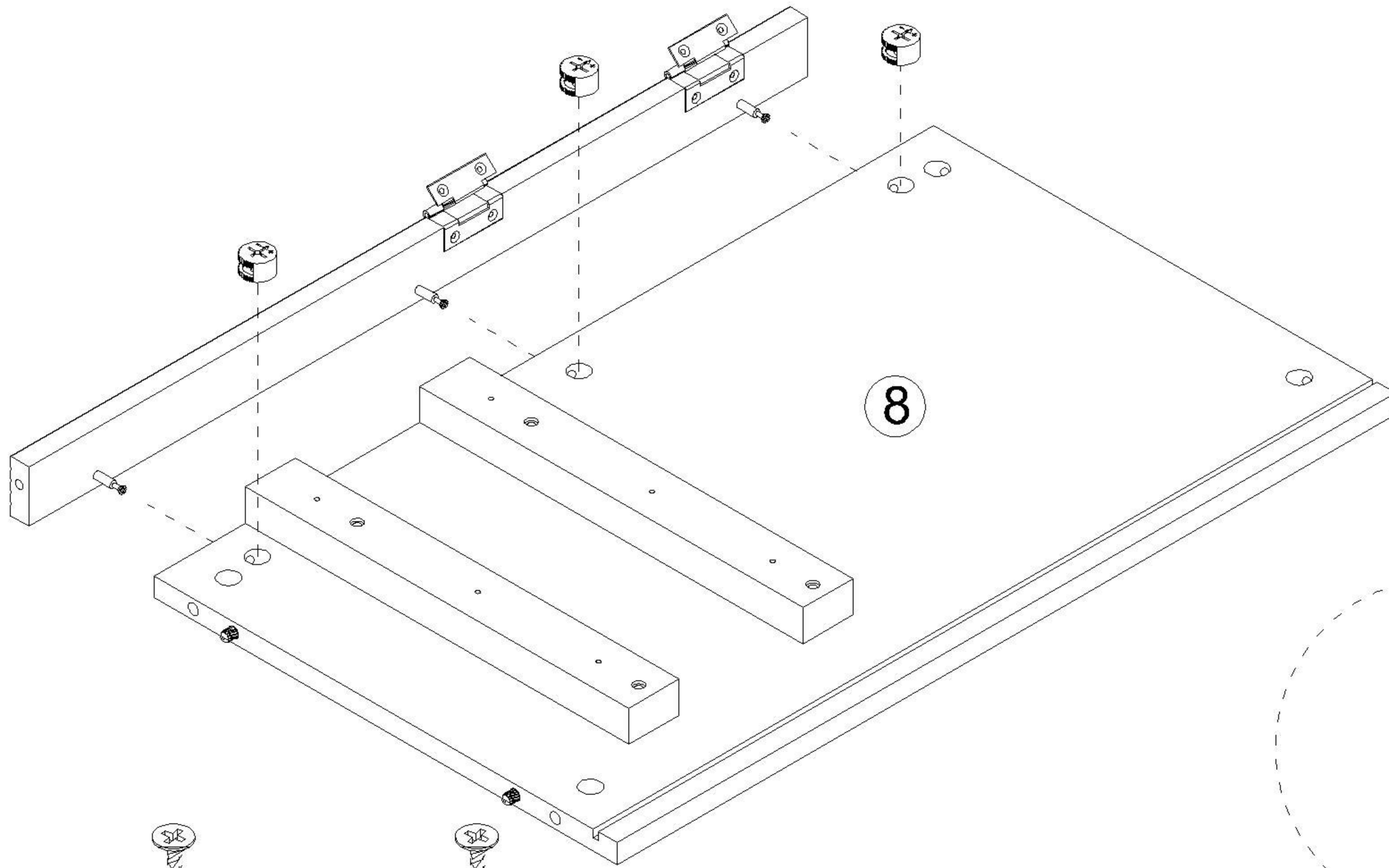
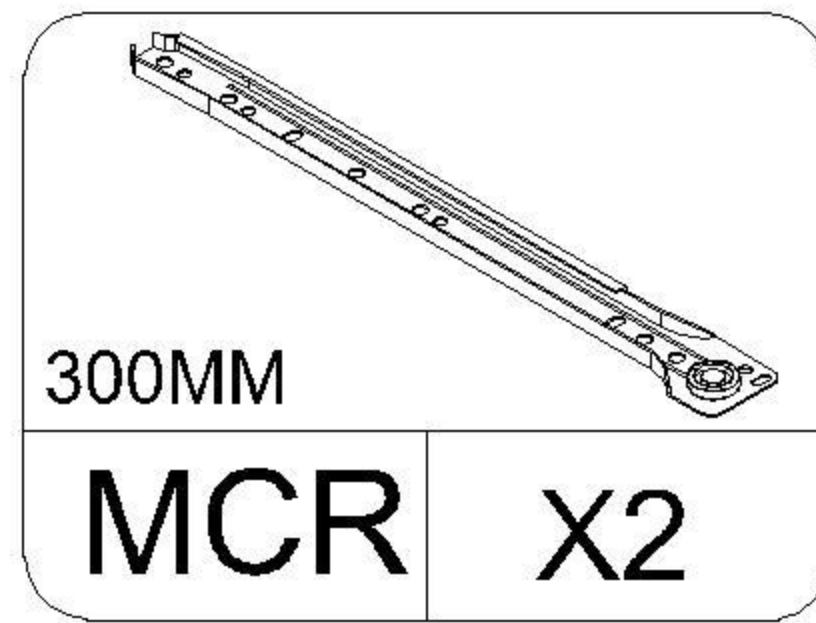
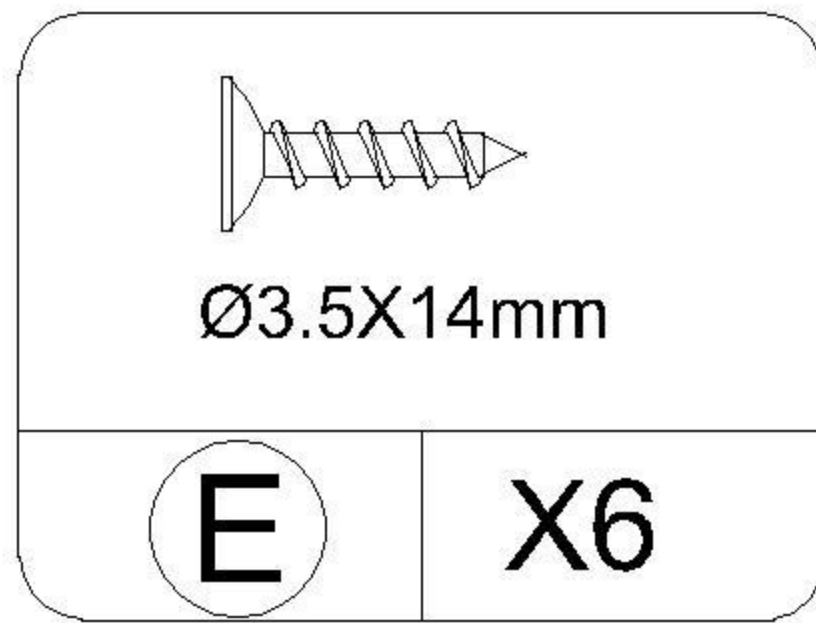
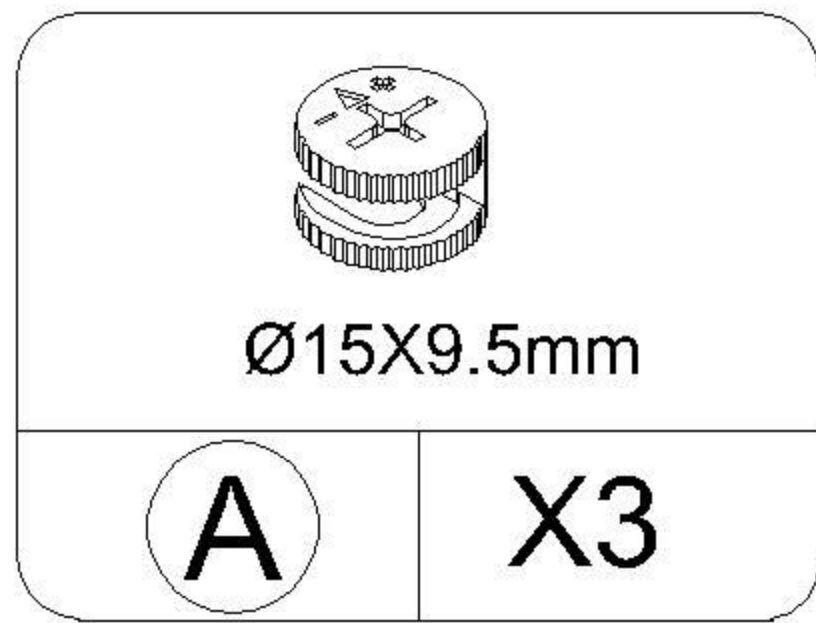
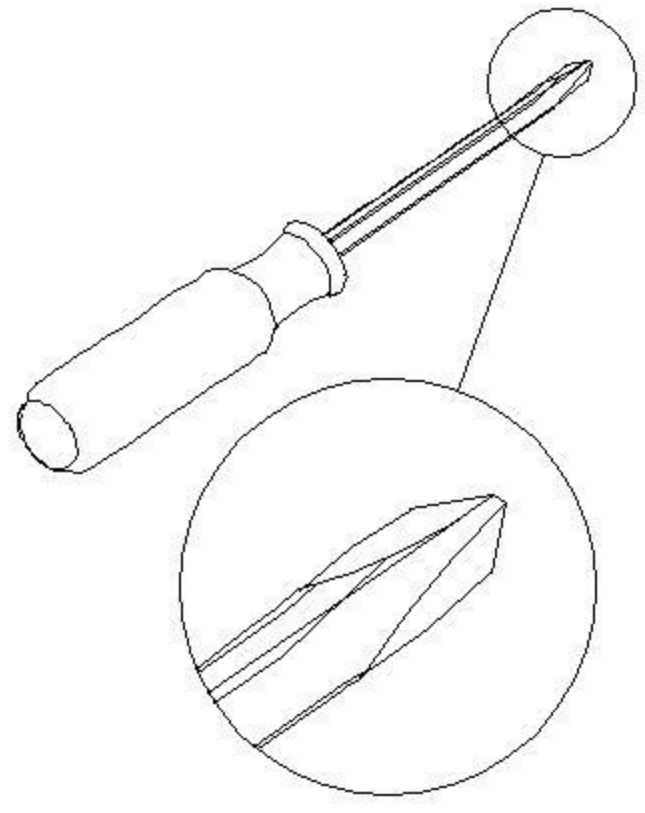


LEFT CABINET MEMBER



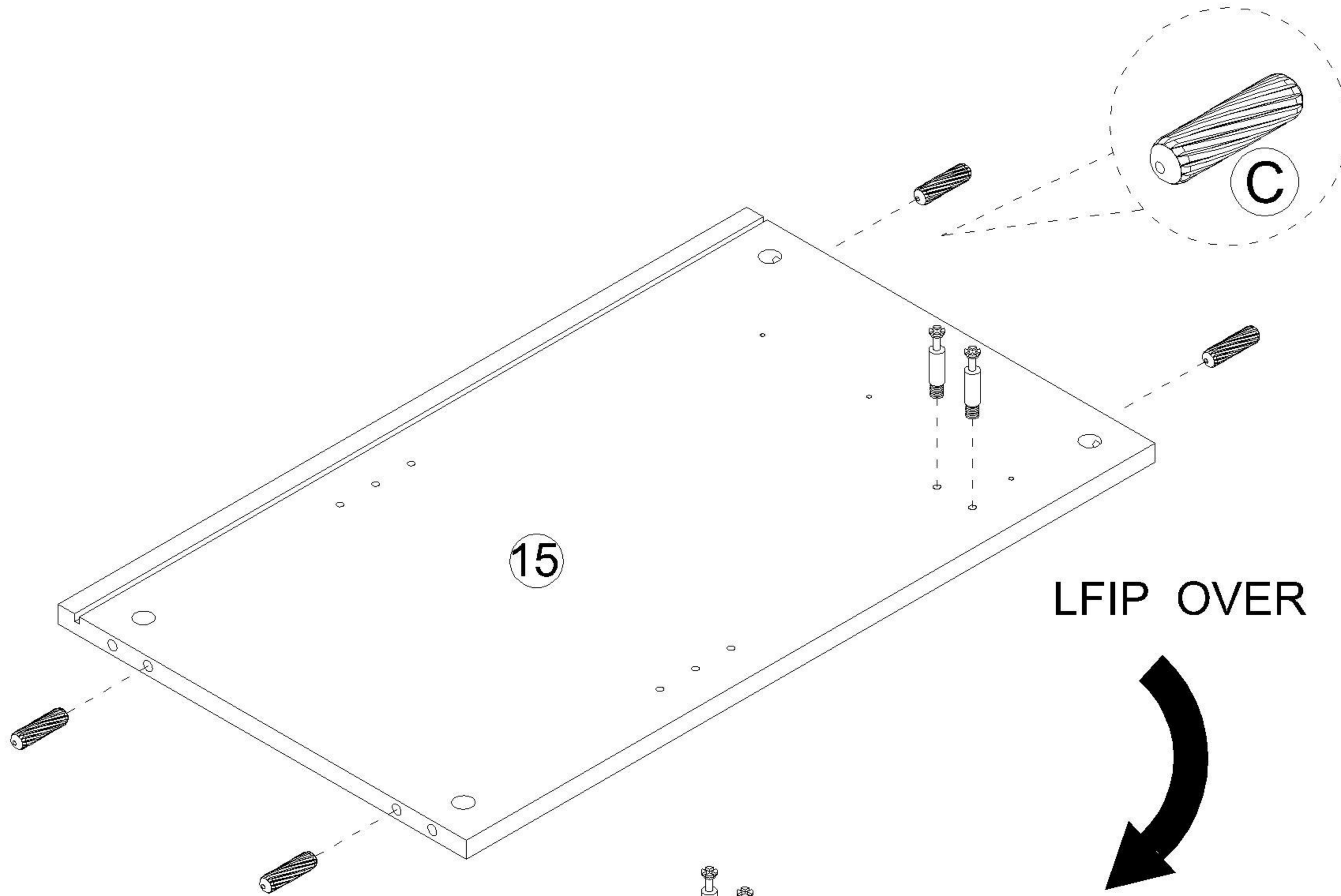
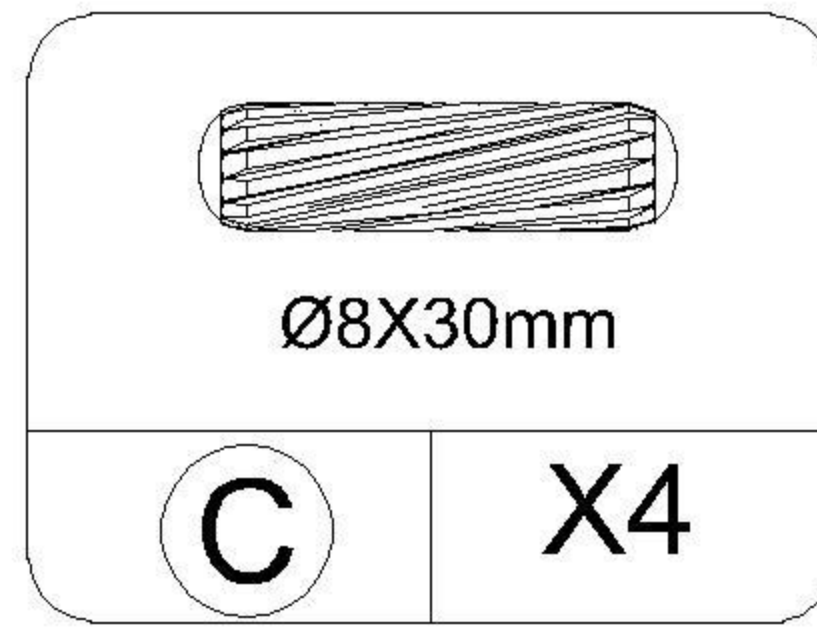
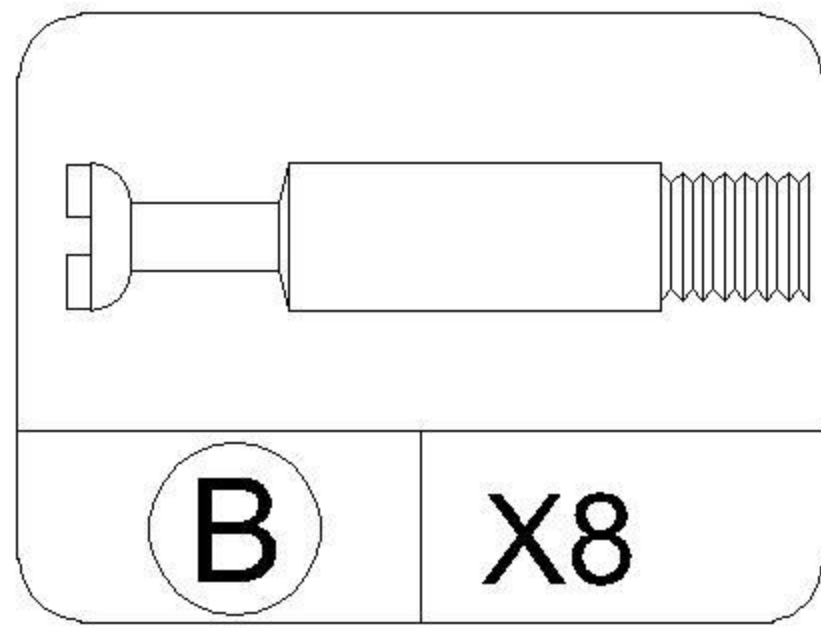
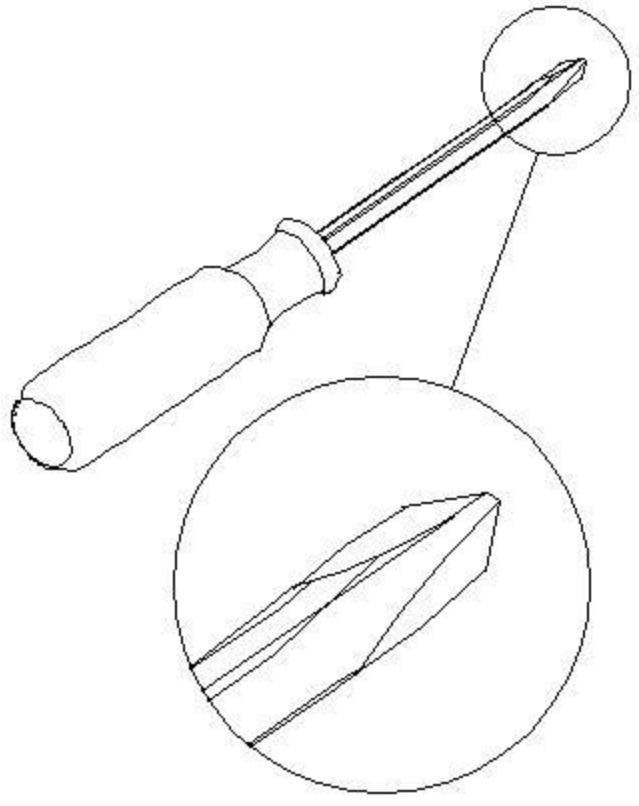
Proper orientation of CAM LOCK

STEP10

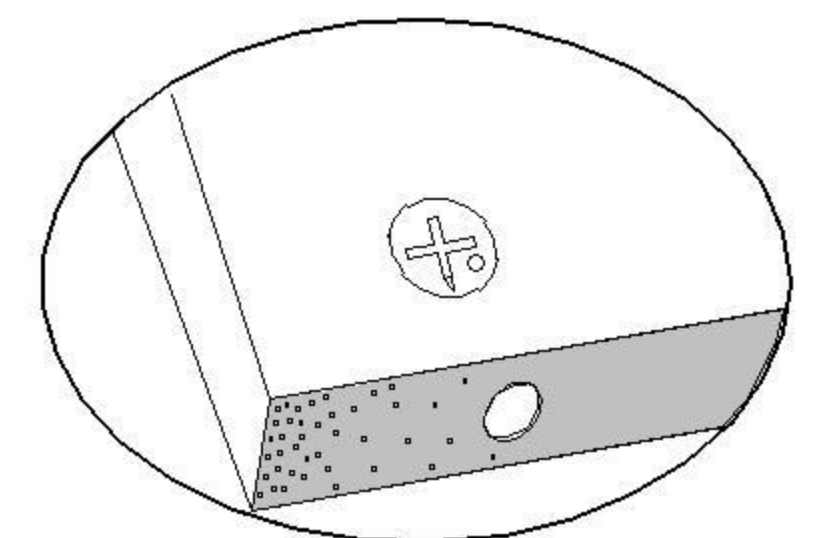
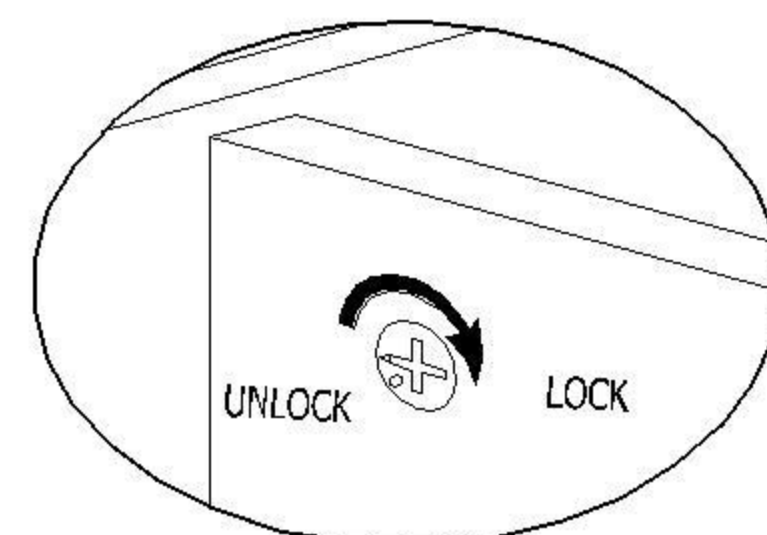
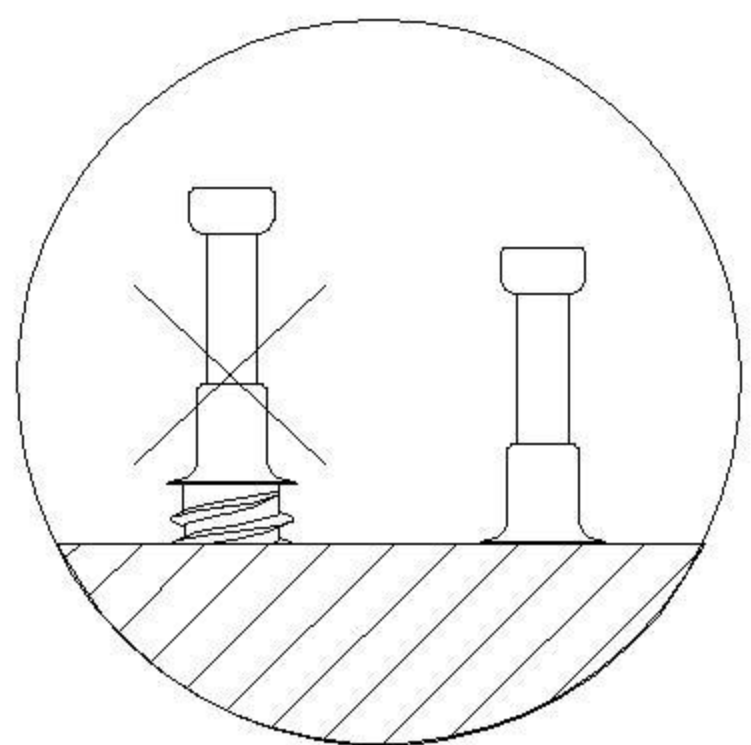
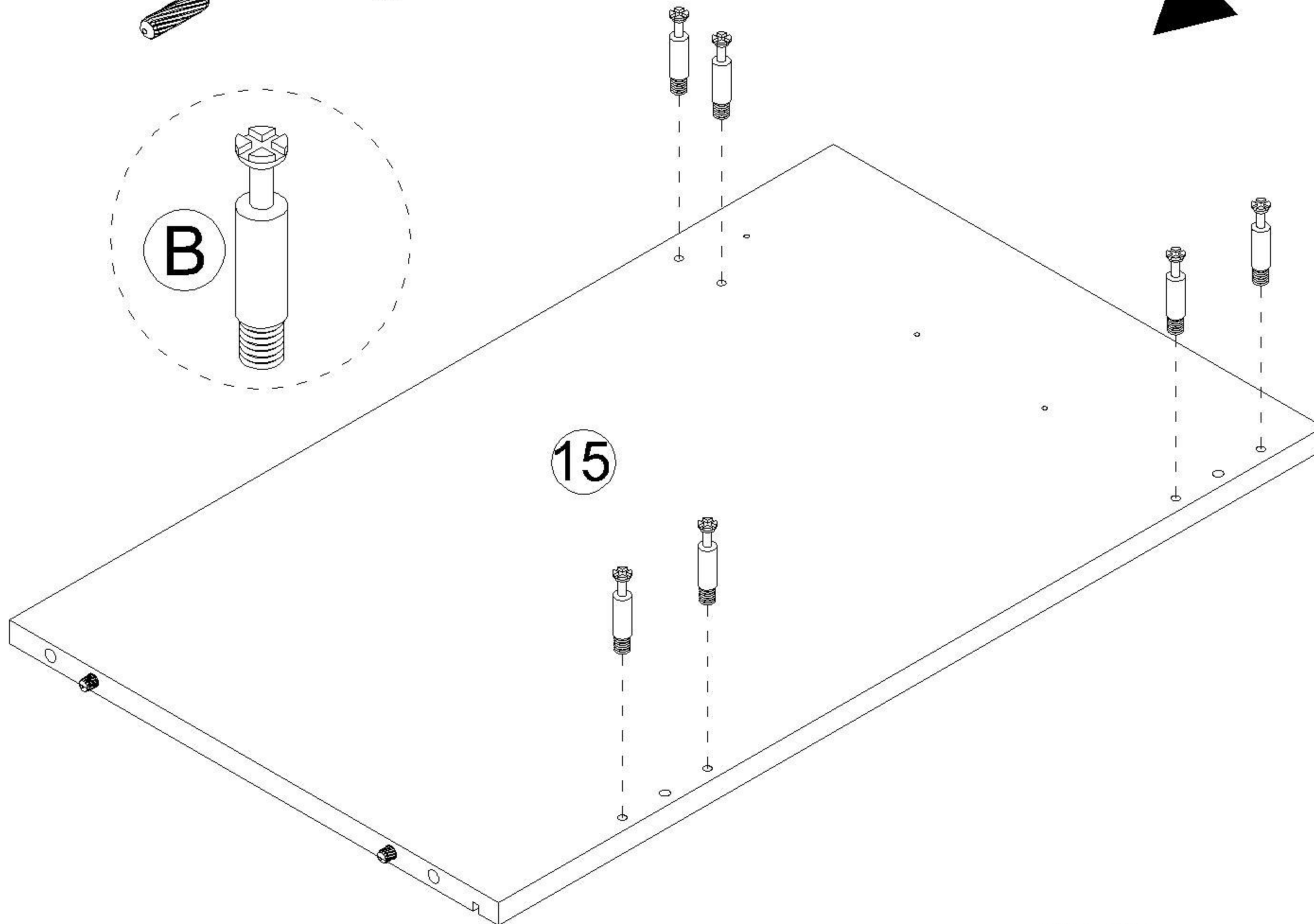
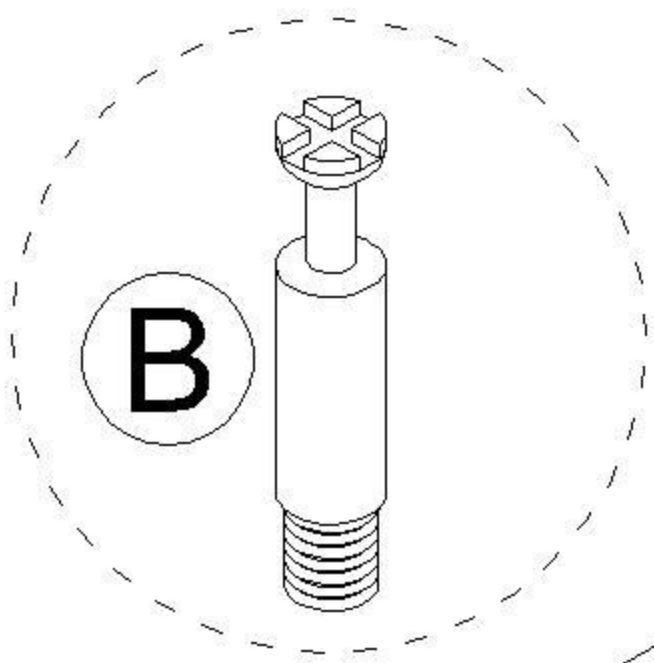


Proper orientation of CAM LOCK

STEP 11

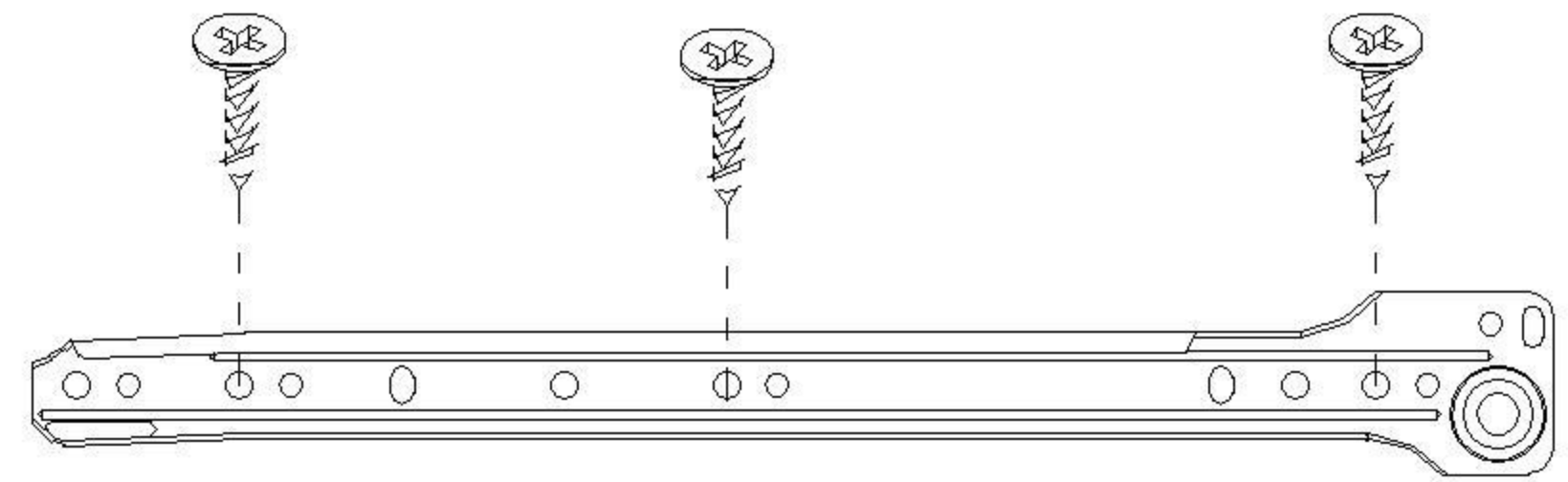
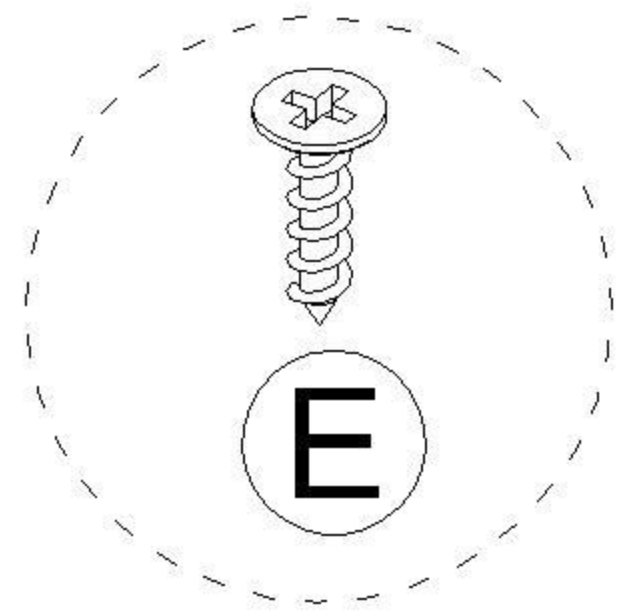
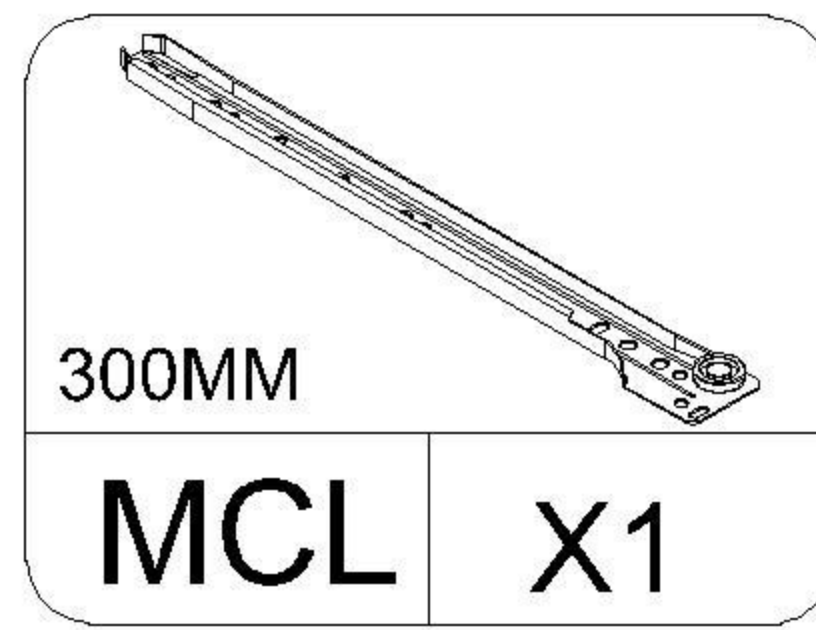
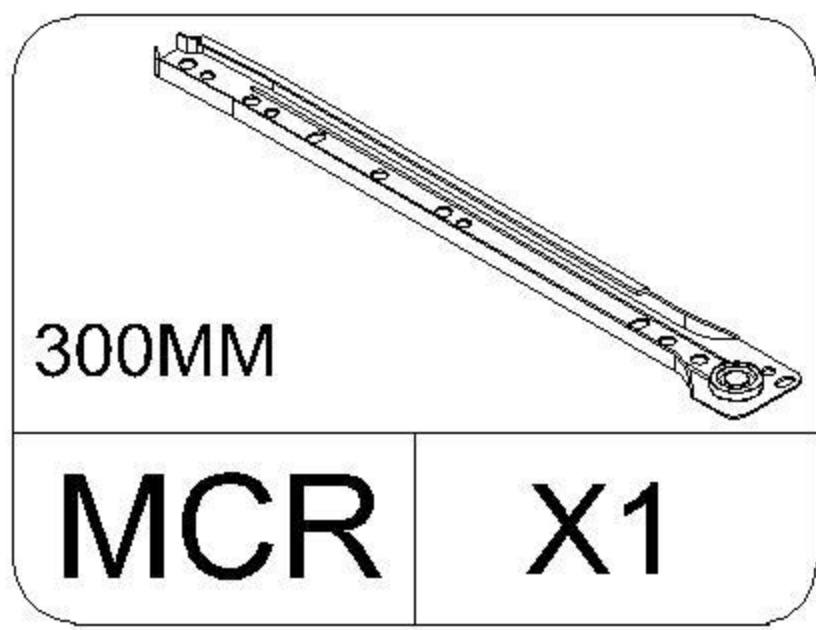
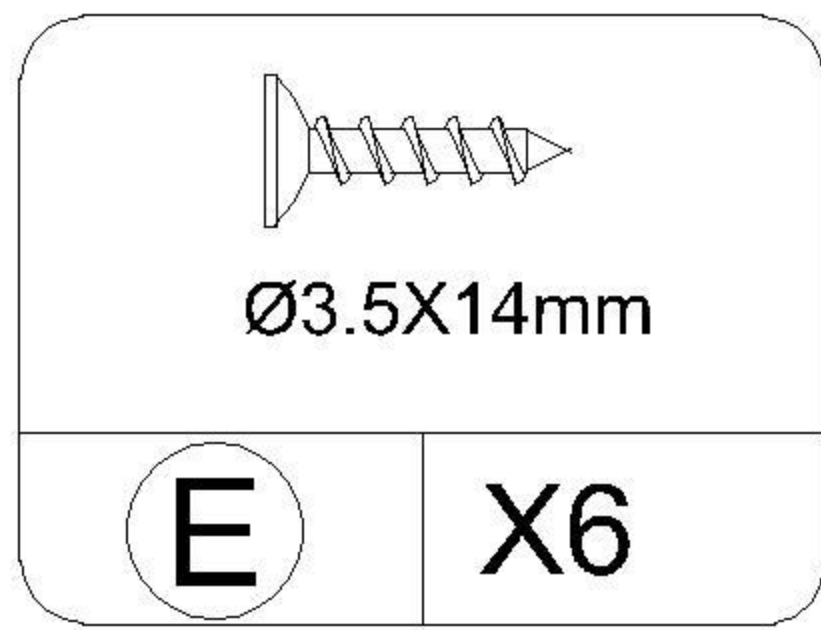
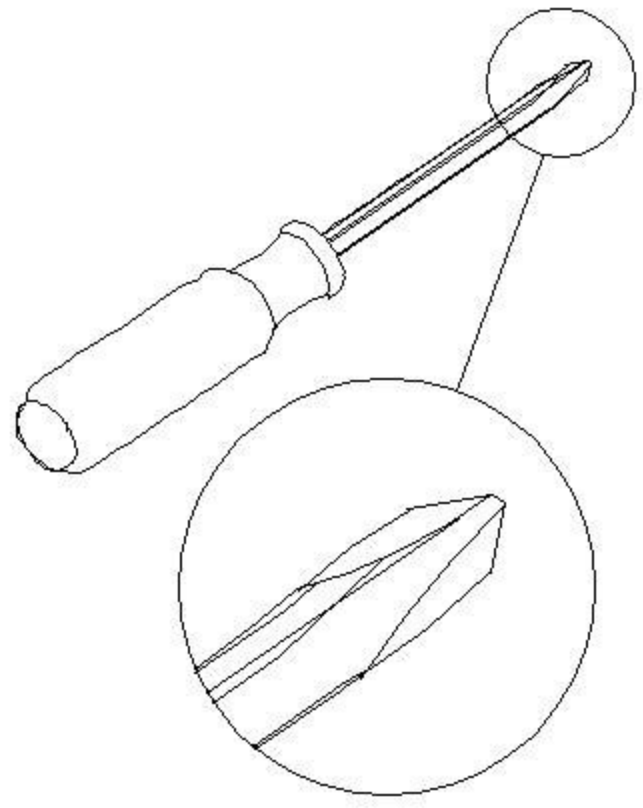


LFIP OVER

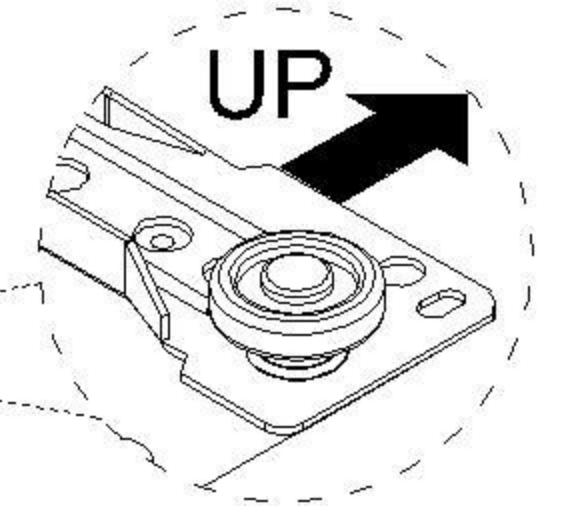
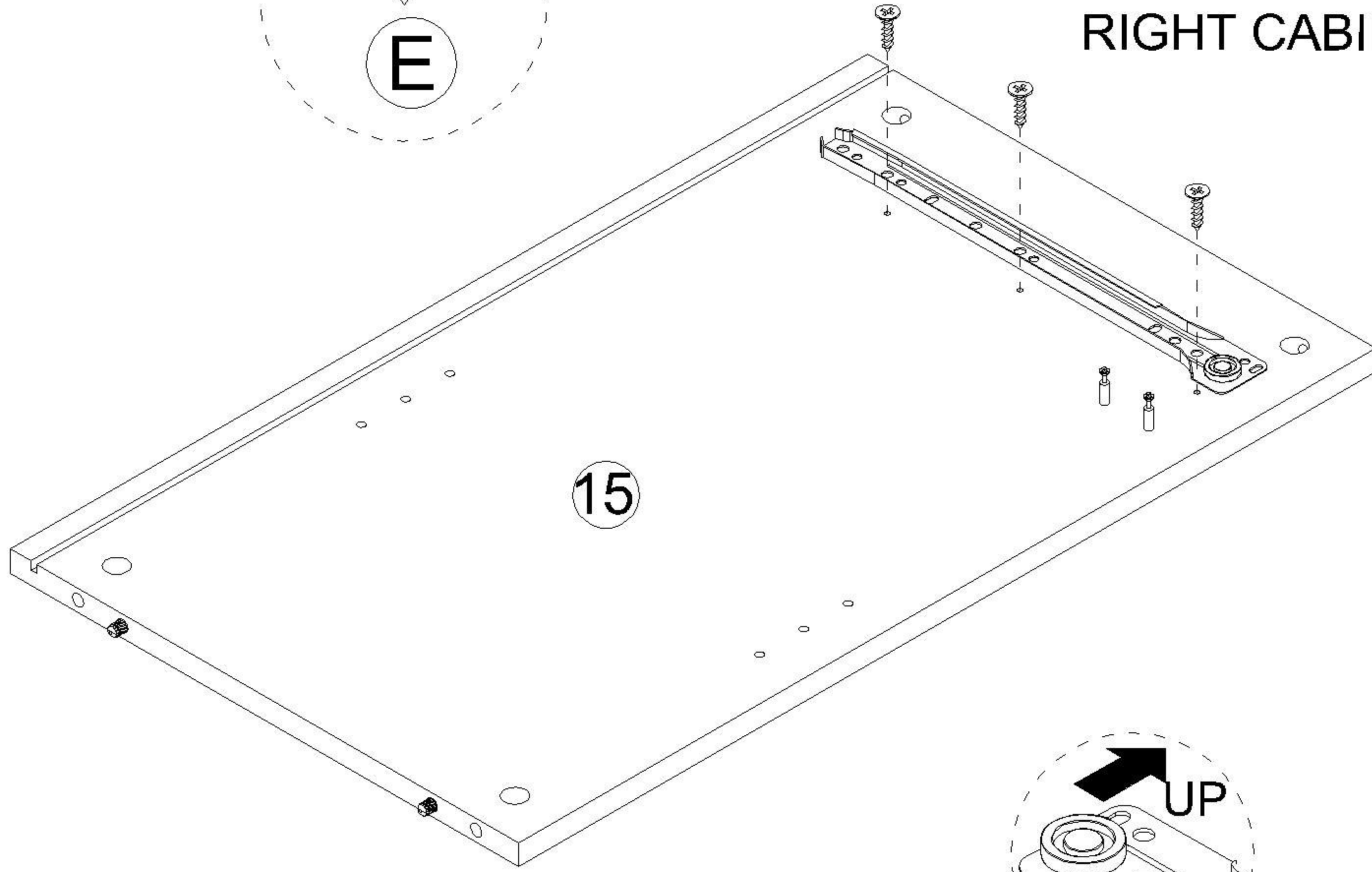


Proper orientation of CAM LOCK

STEP12

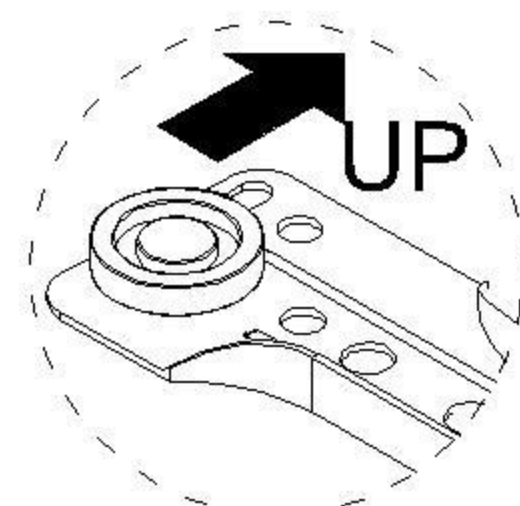
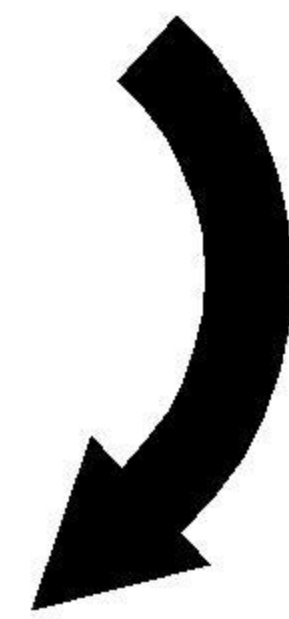


RIGHT CABINET MEMBER

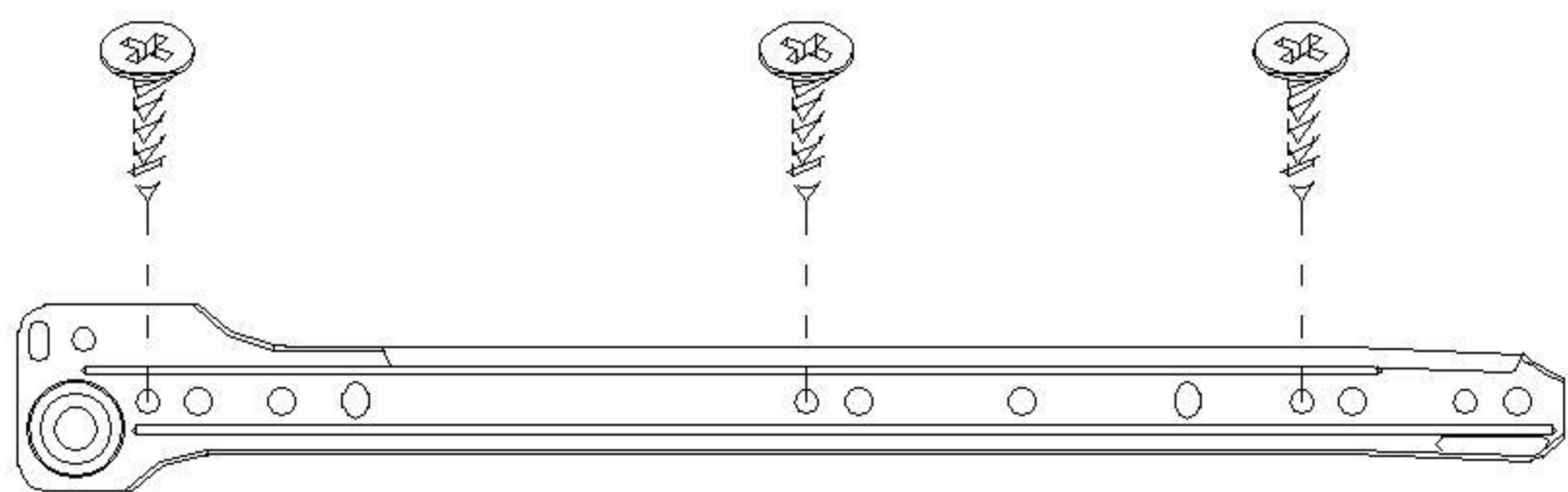


MCR

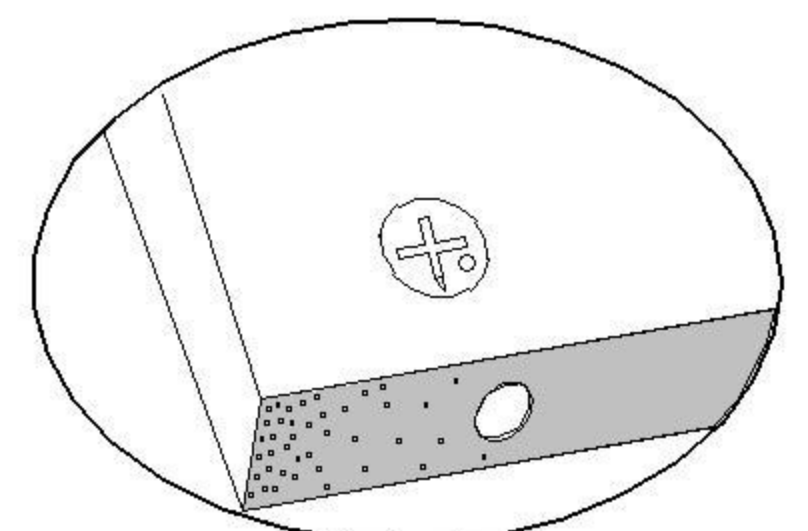
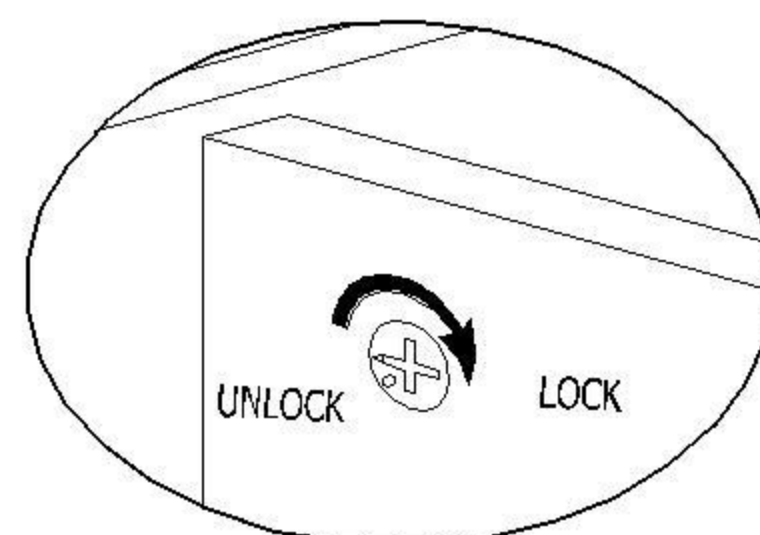
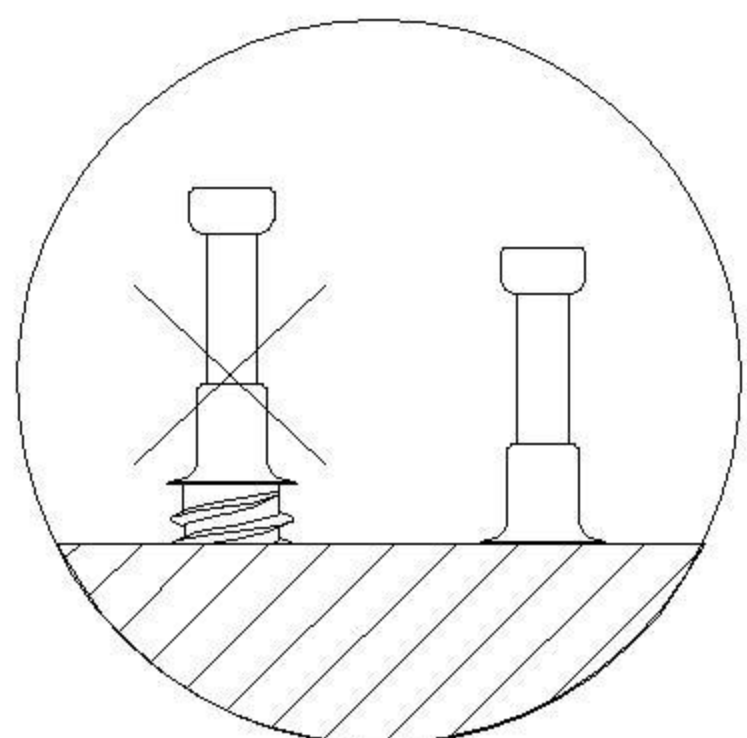
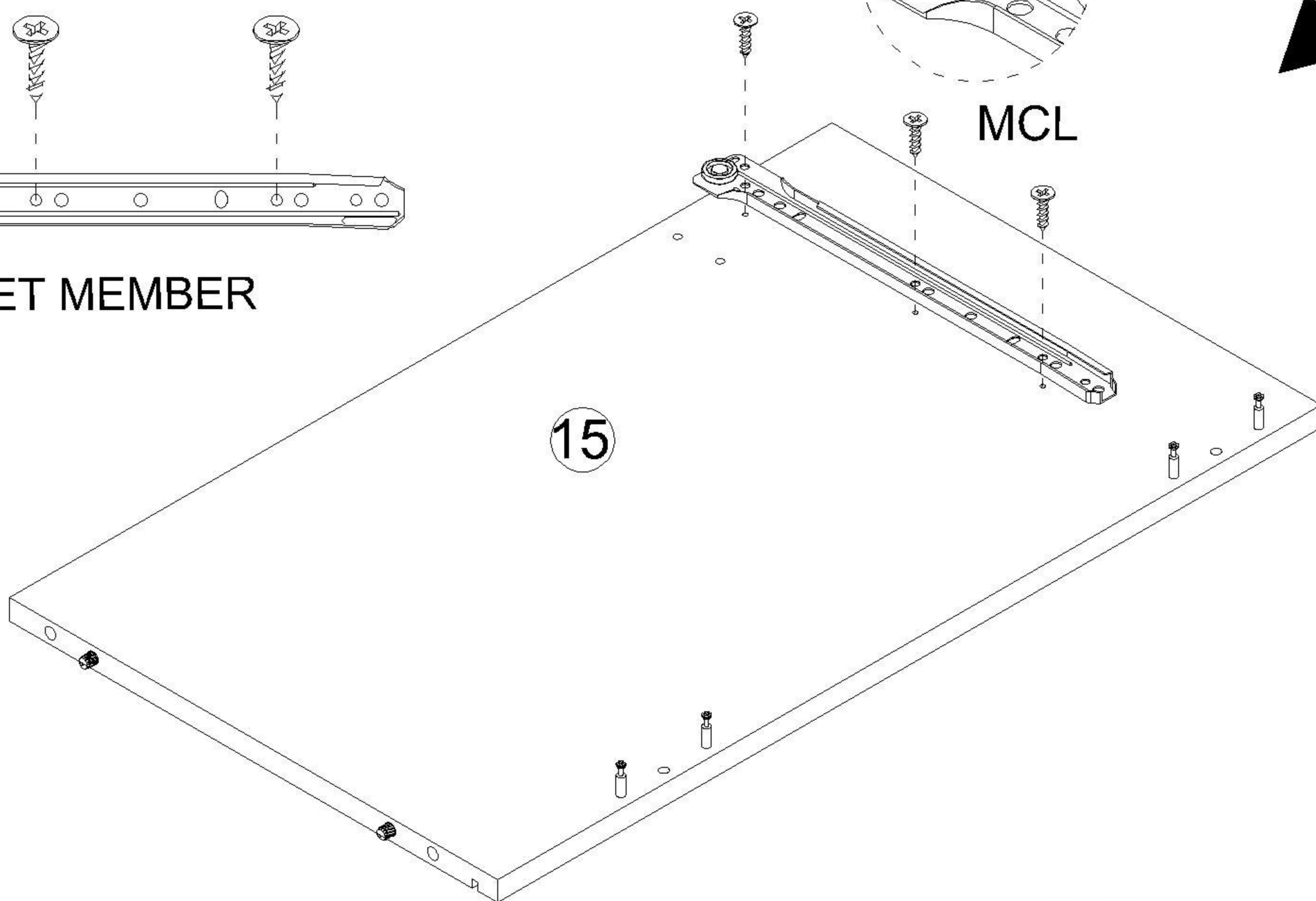
LFIP OVER



MCL

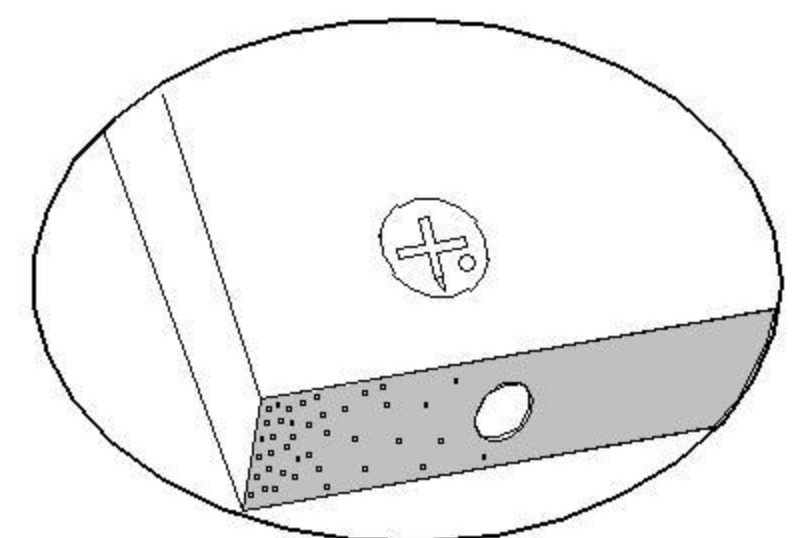
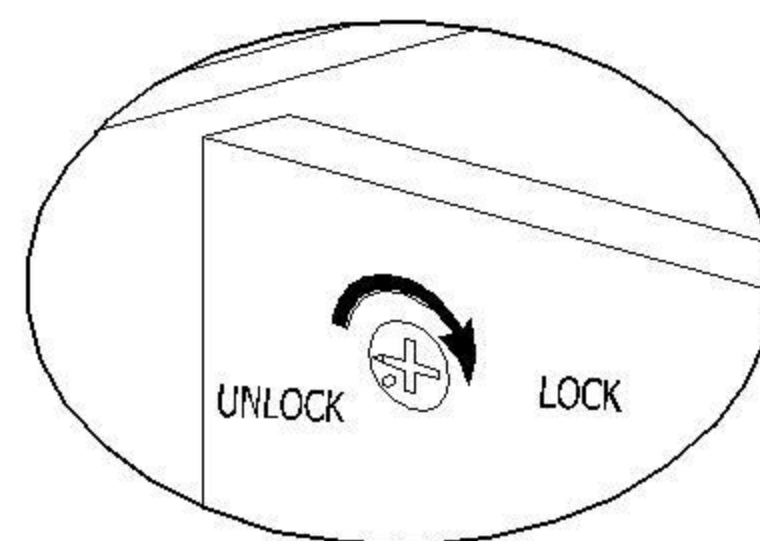
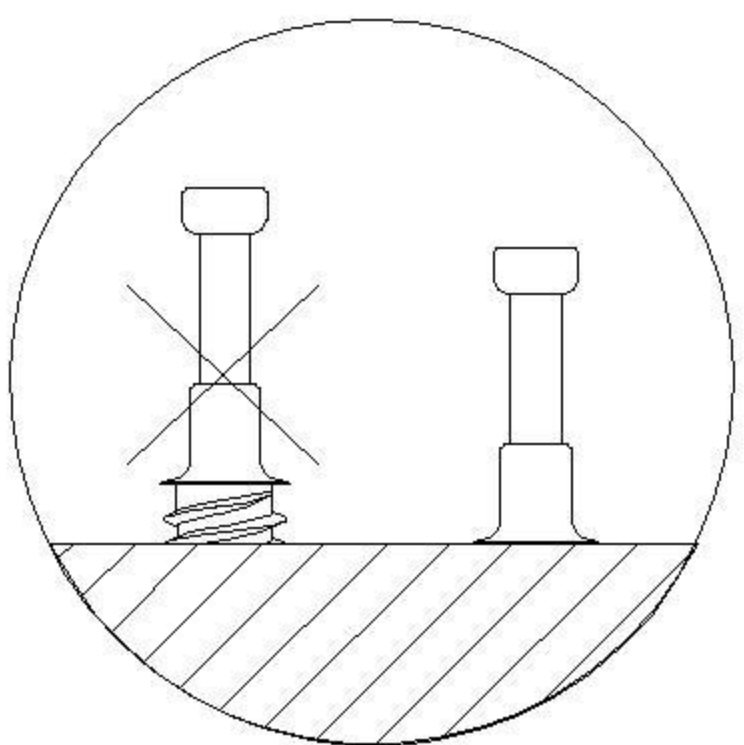
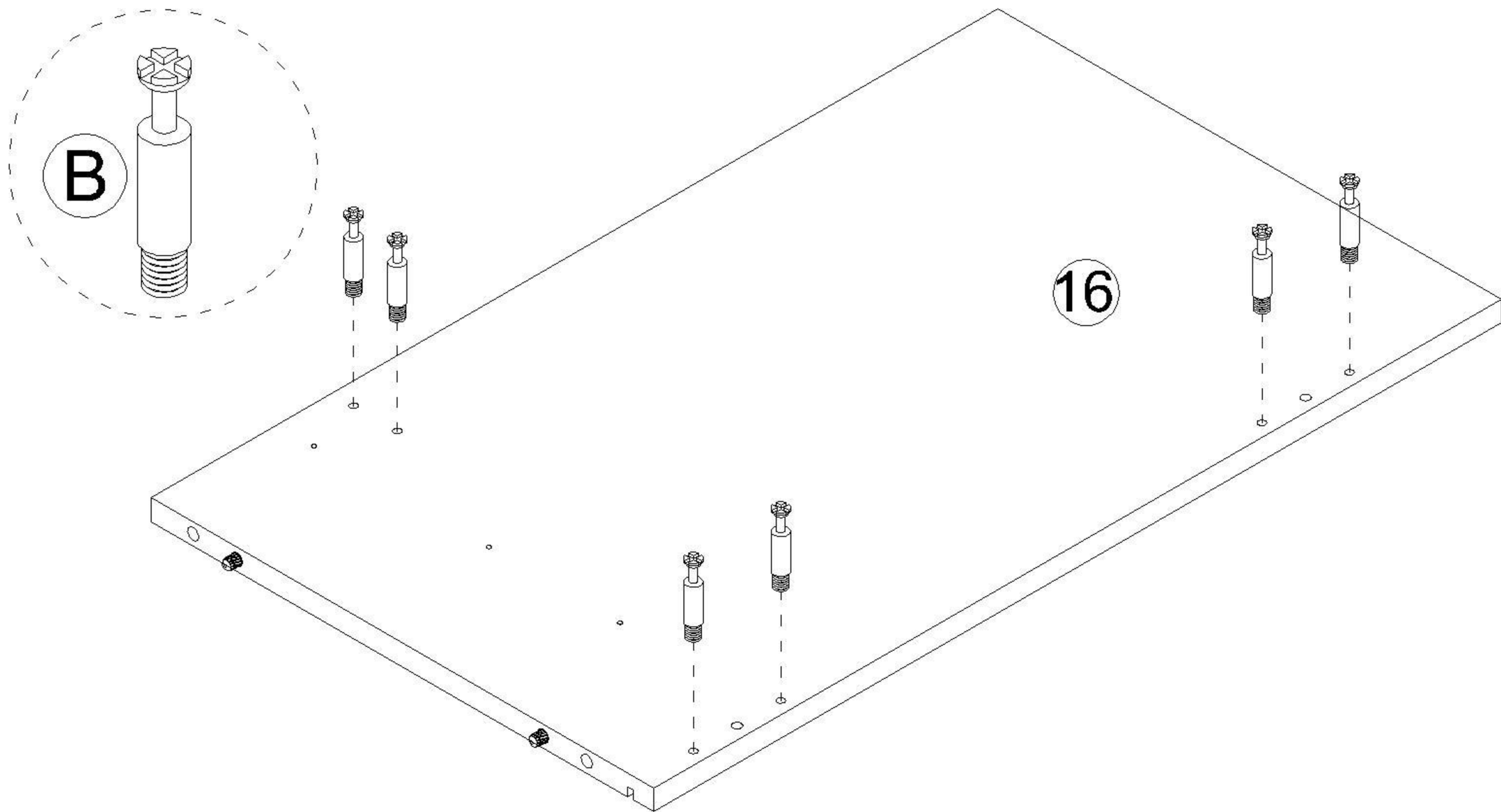
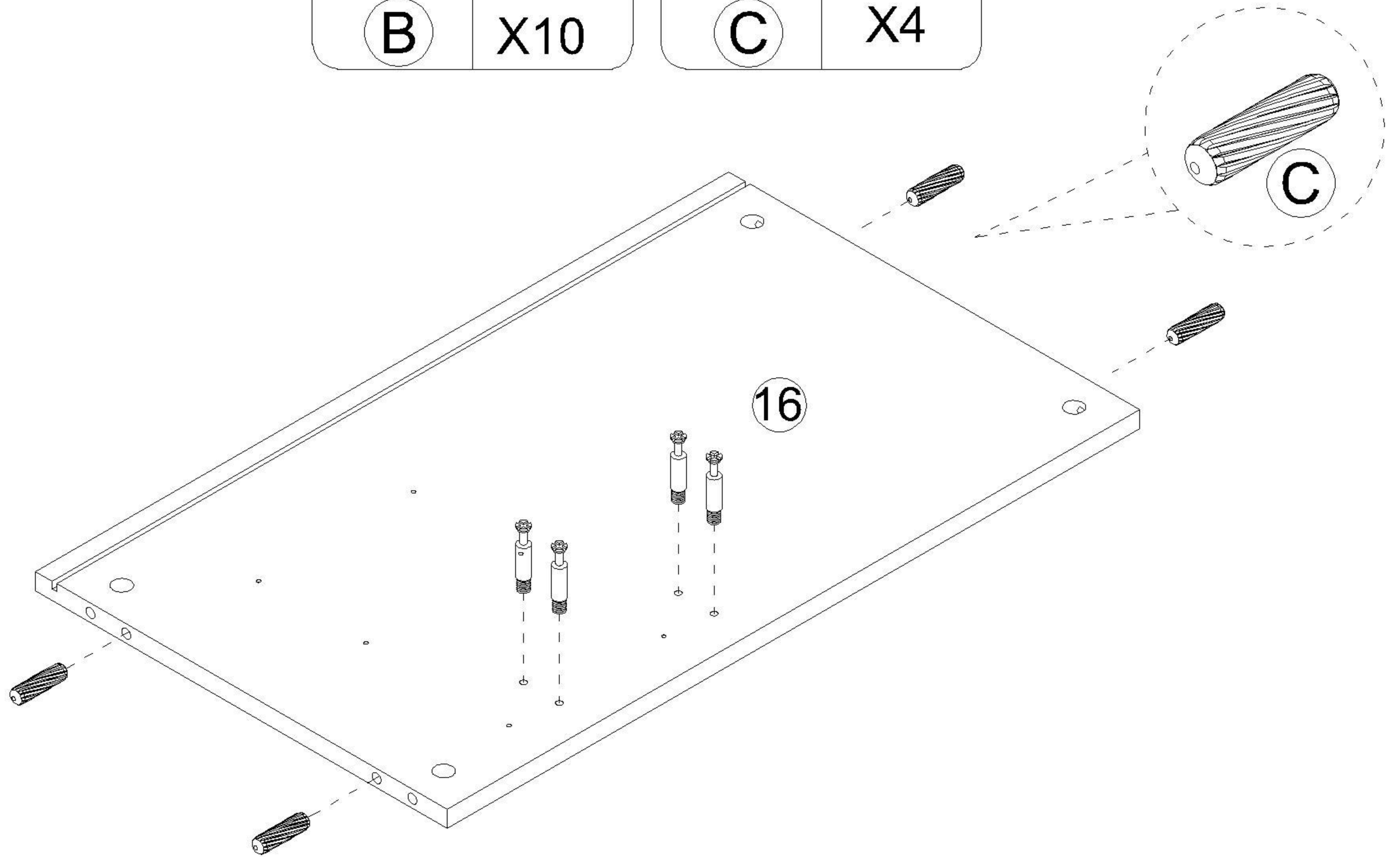
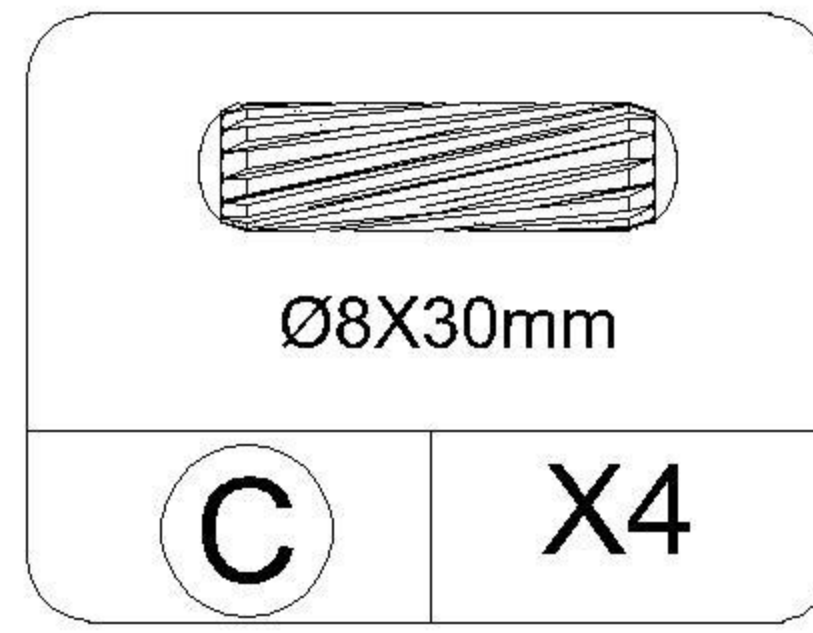
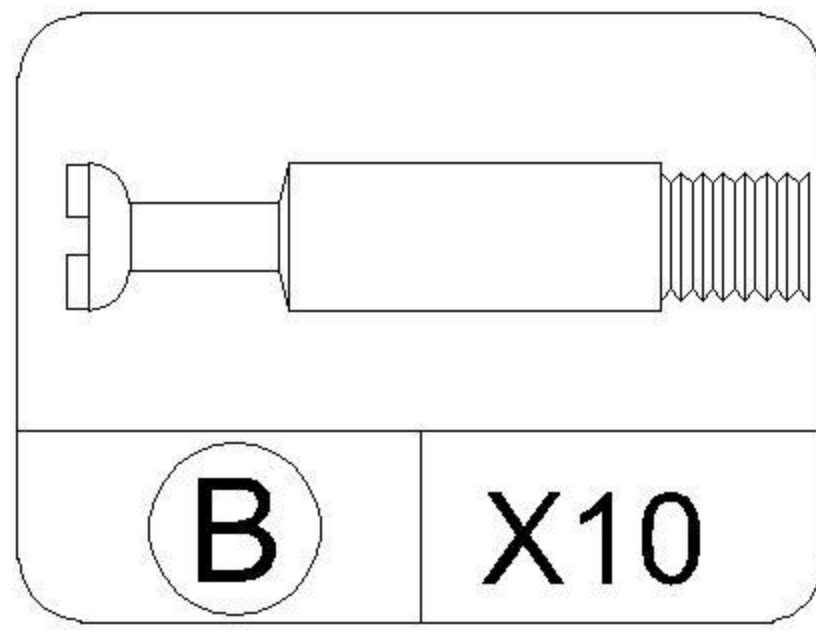
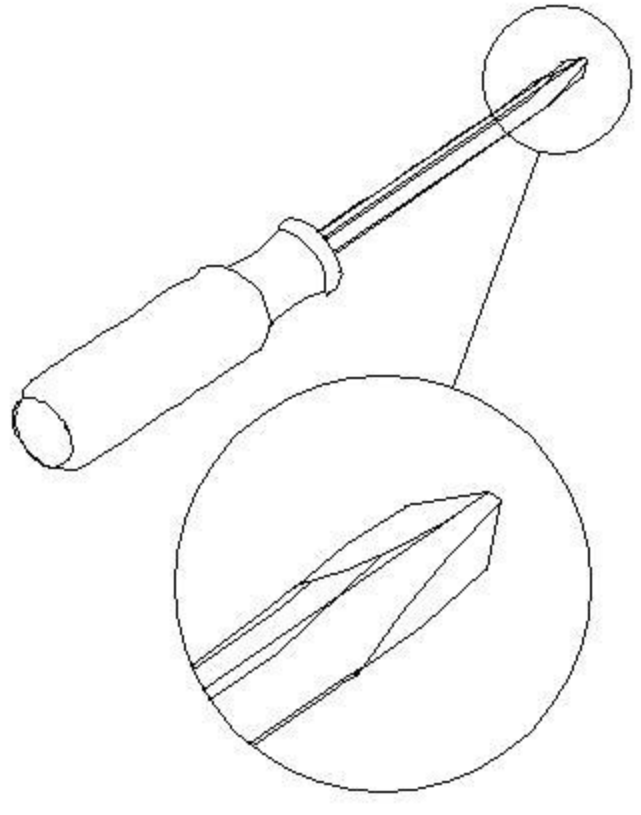


LEFT CABINET MEMBER

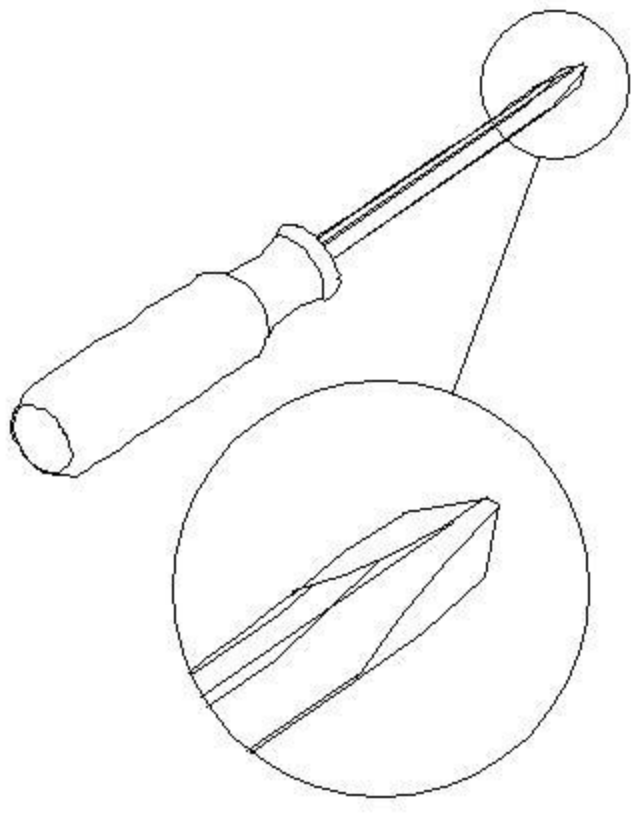


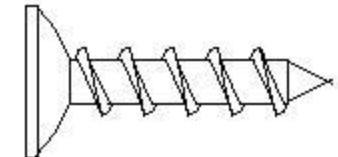
Proper orientation of CAM LOCK

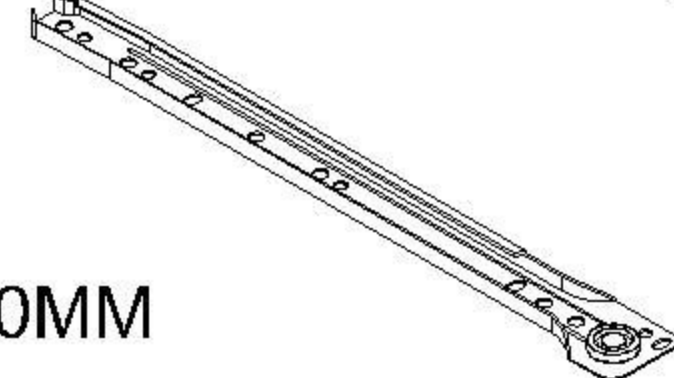
STEP 13

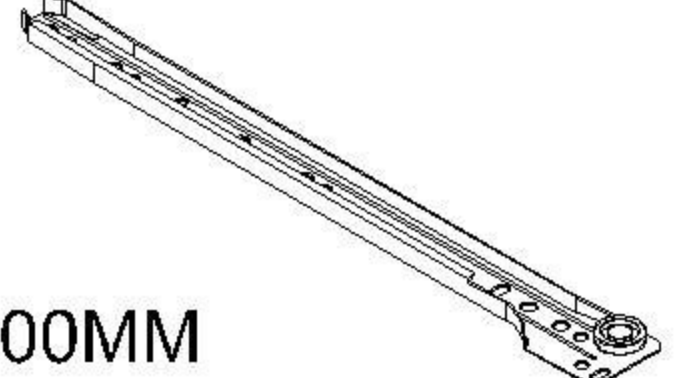


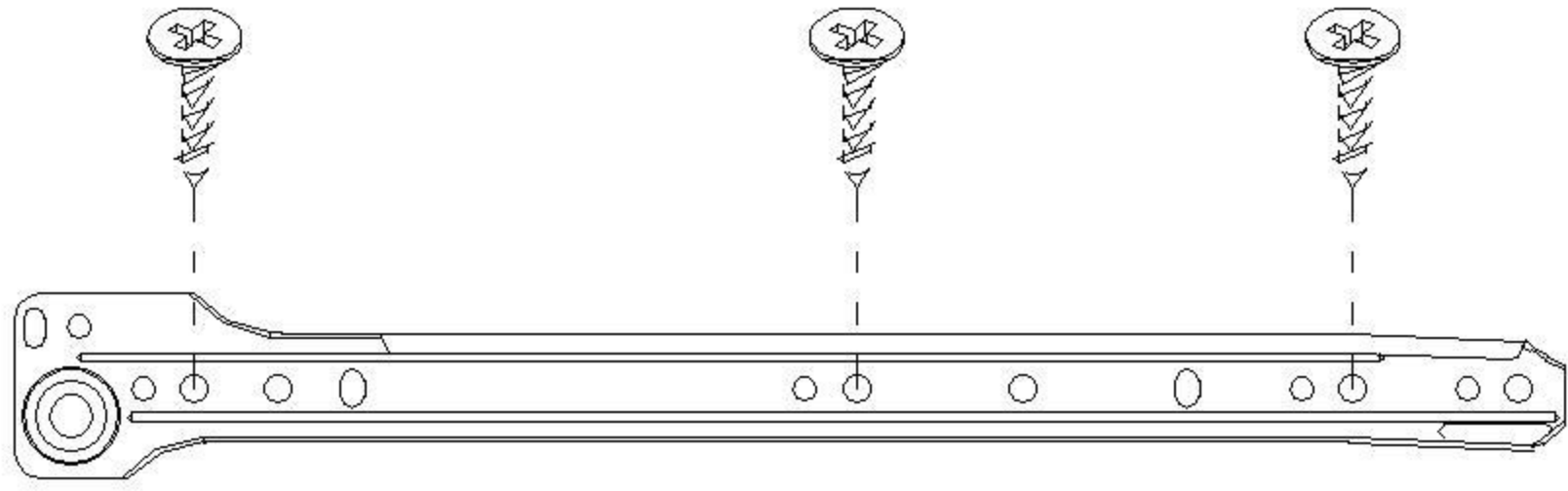
STEP 14



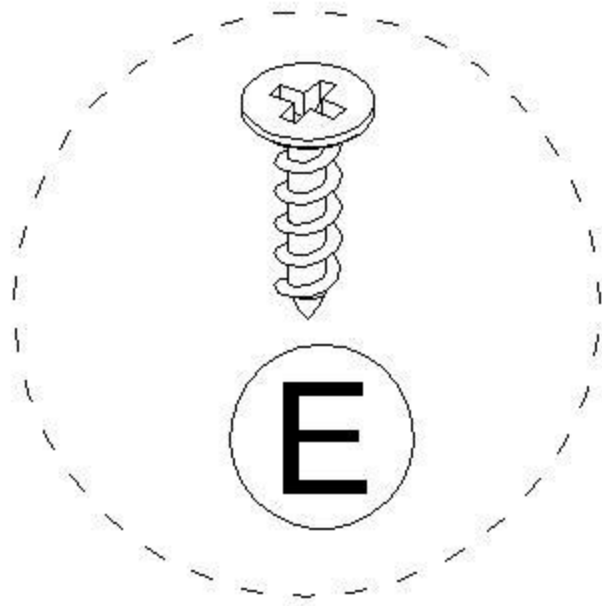
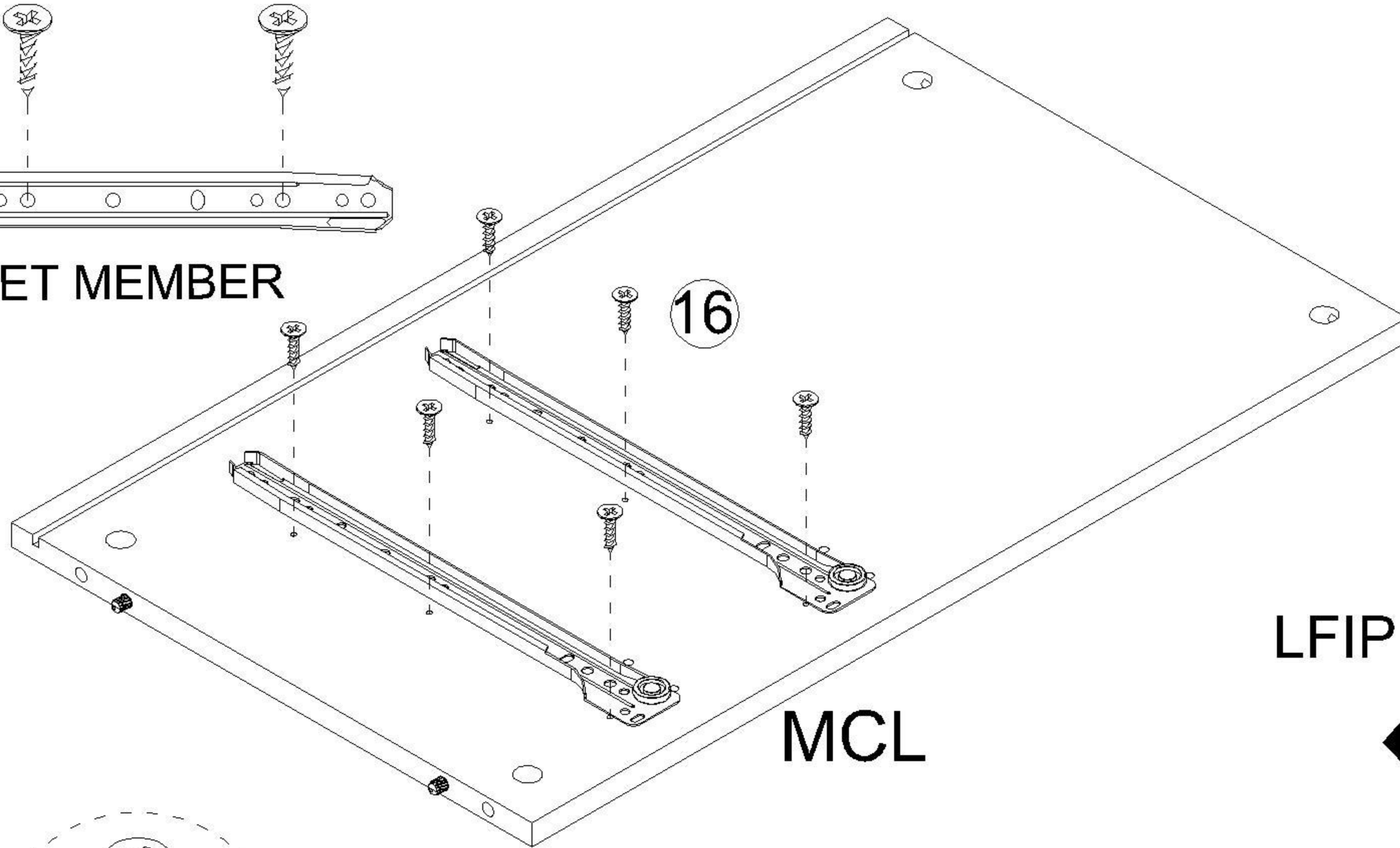
 Ø3.5X14mm	
E	X9

 300MM	
MCR	X1

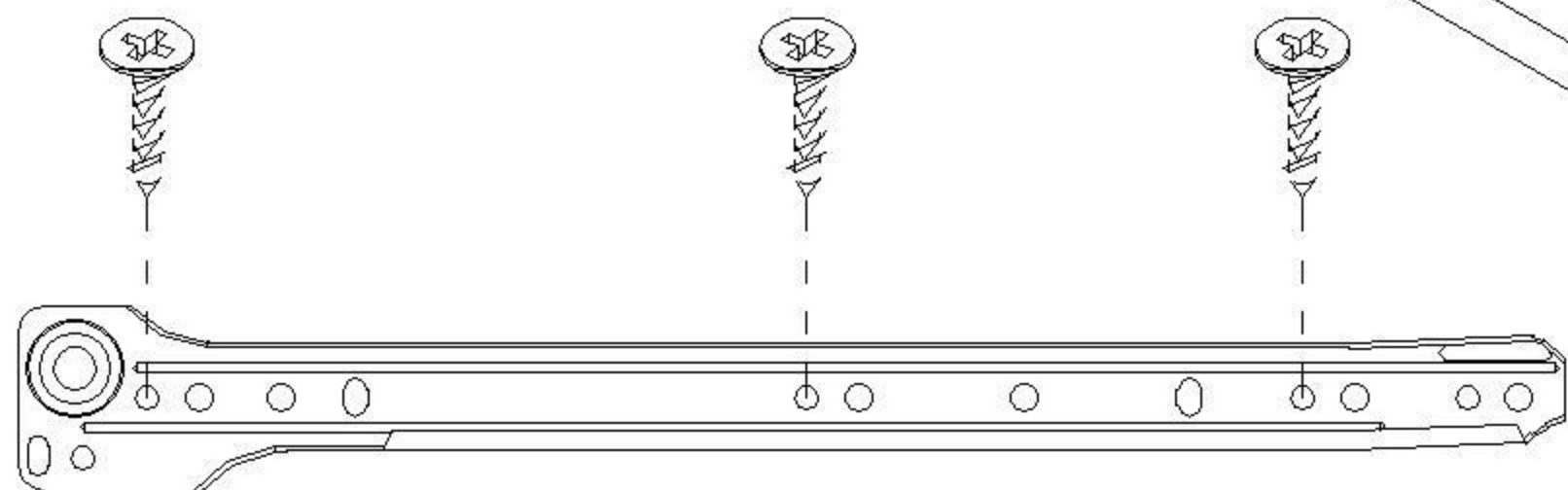
 300MM	
MCL	X2



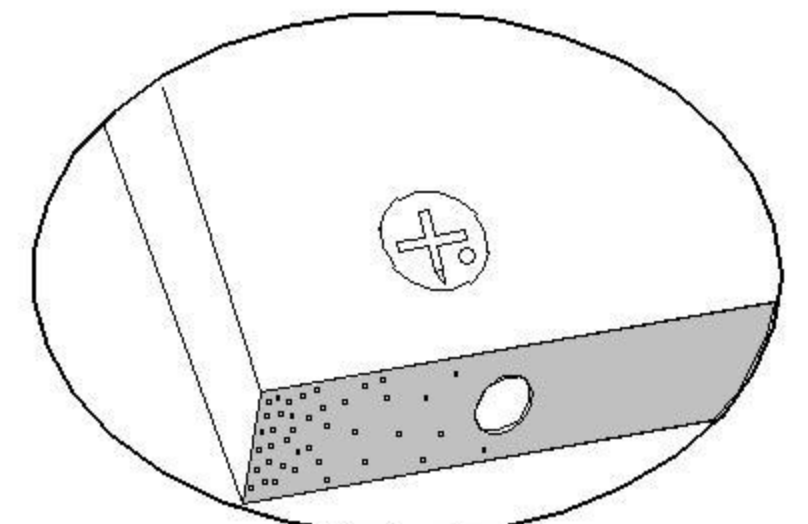
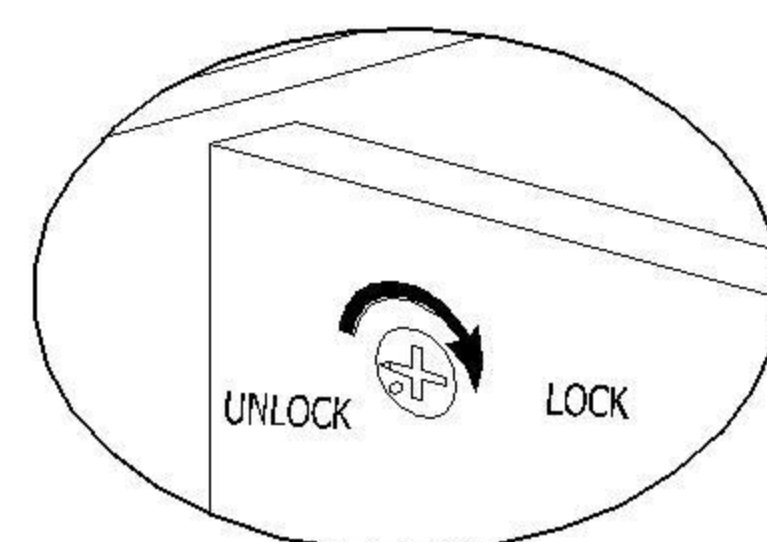
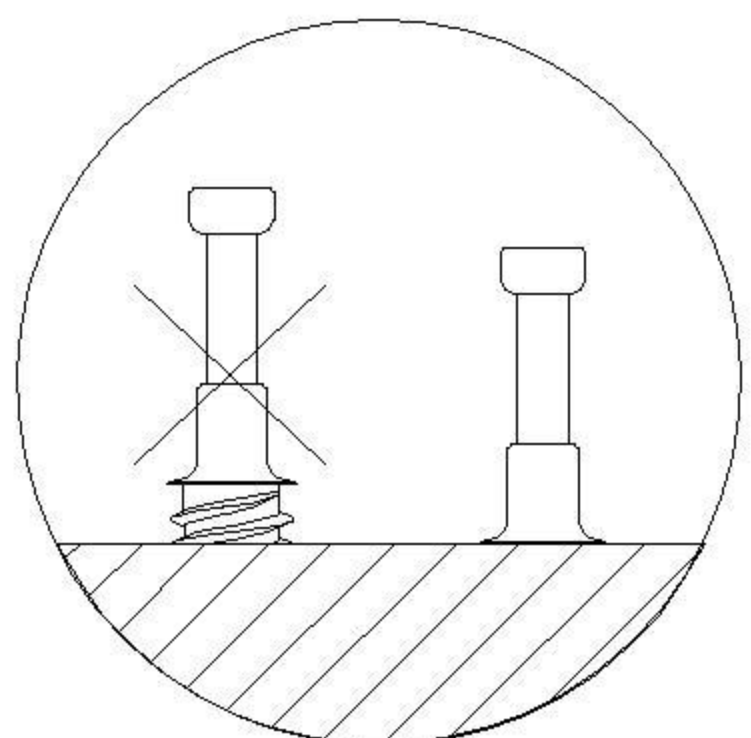
LEFT CABINET MEMBER



MCR

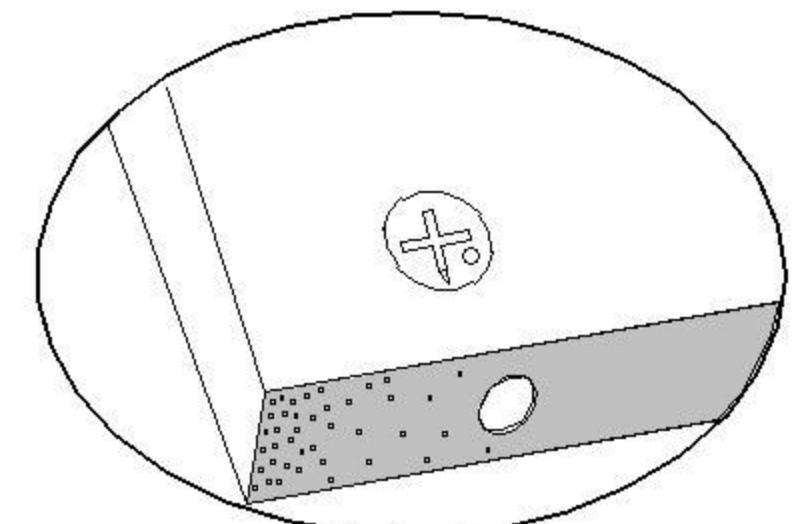
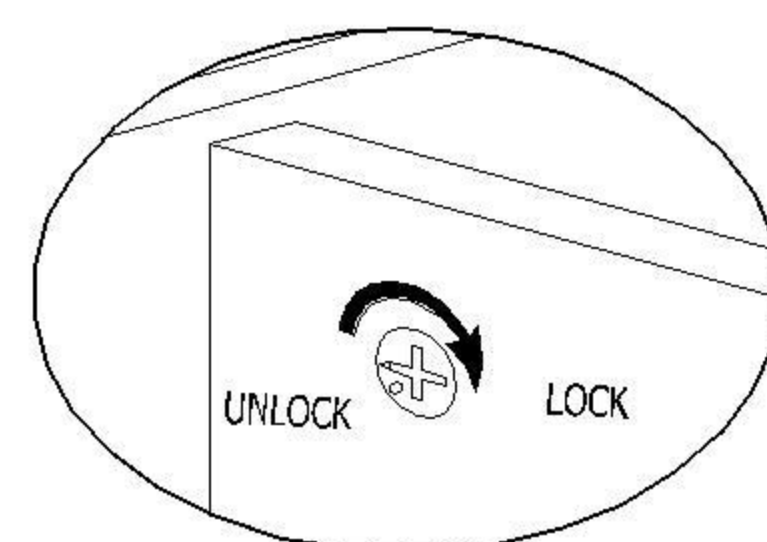
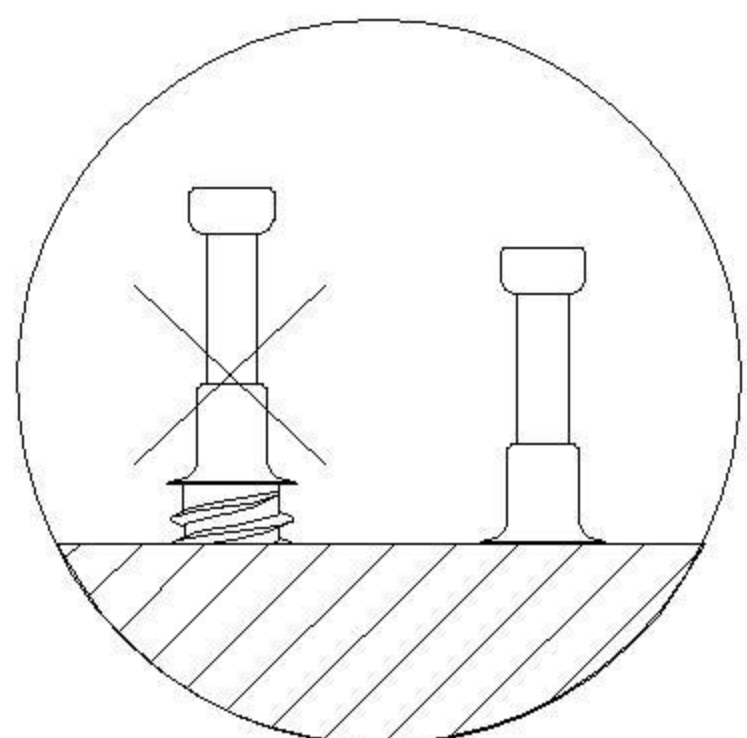
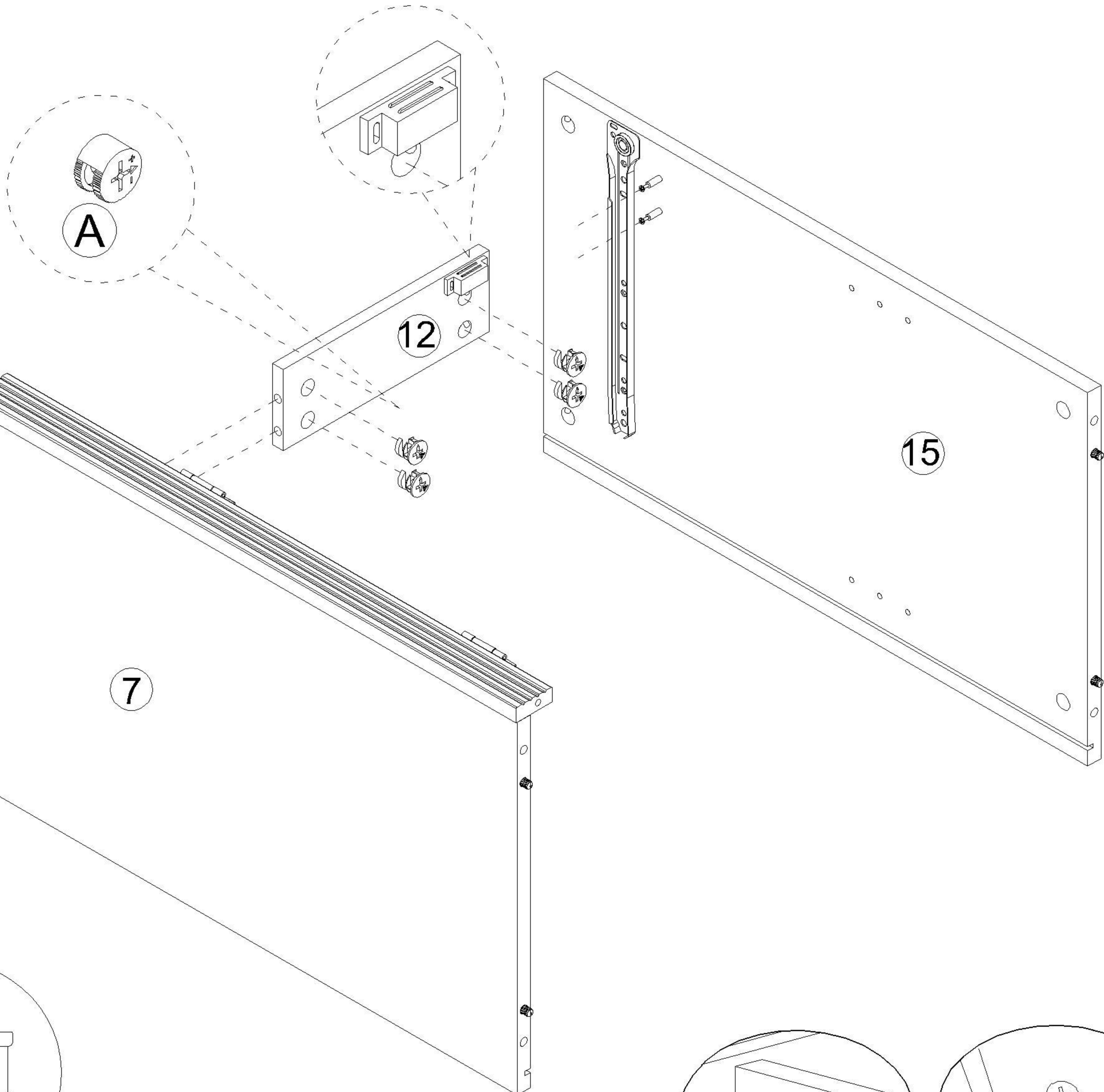
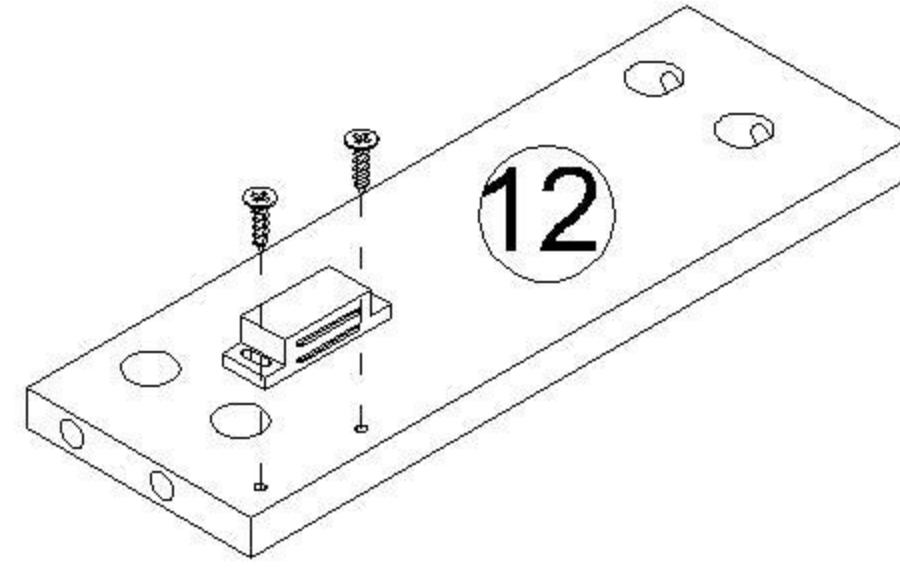
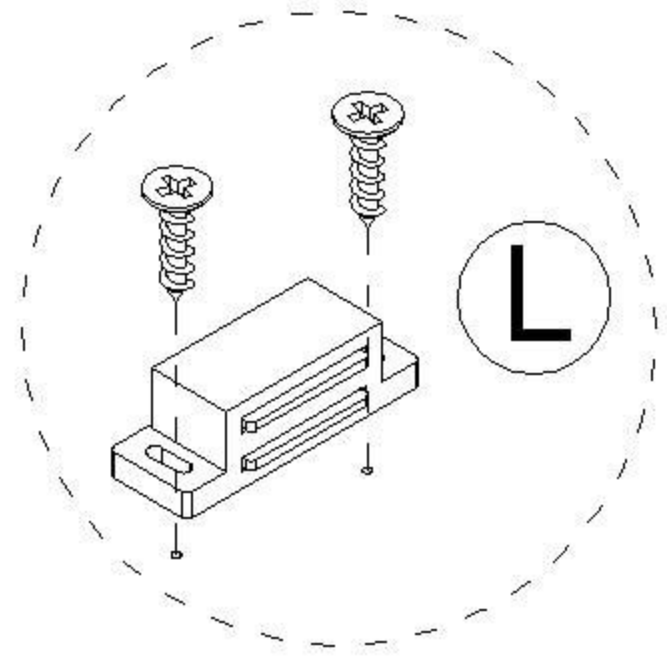
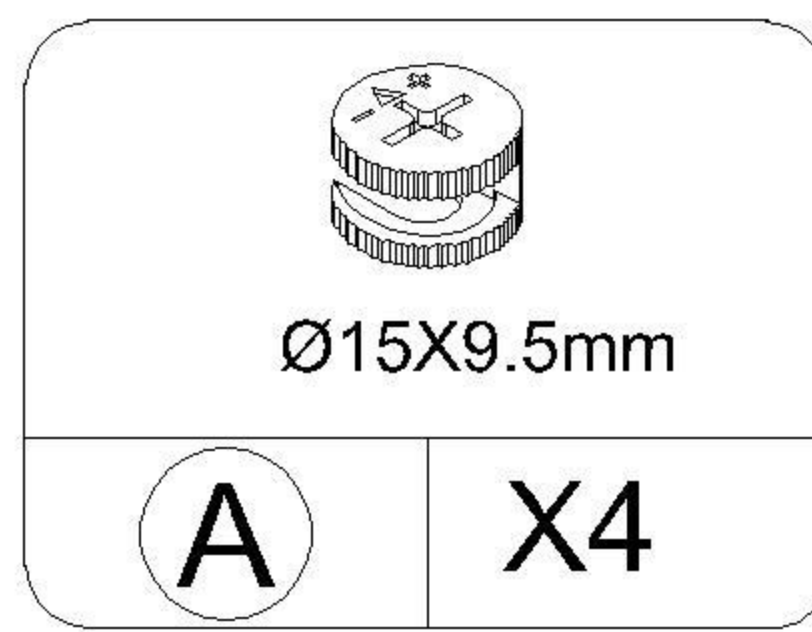
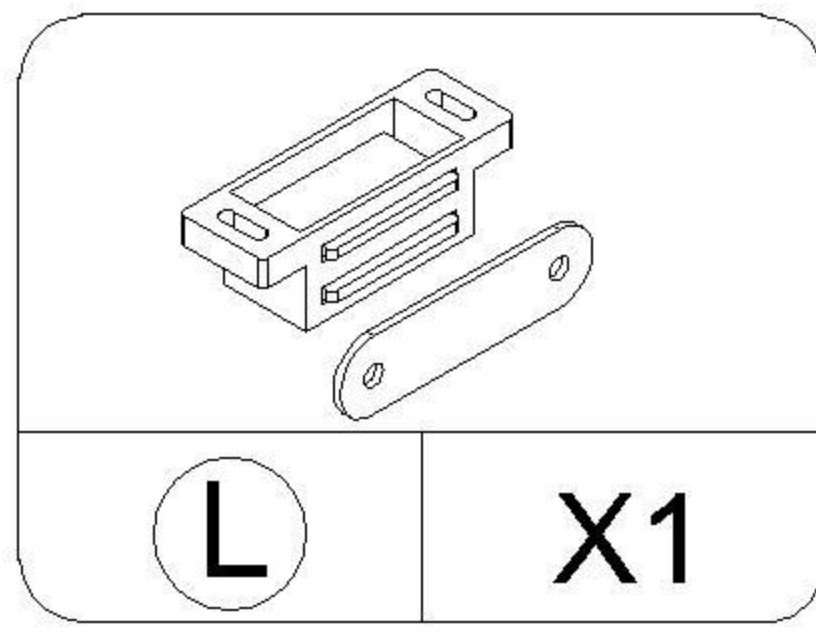
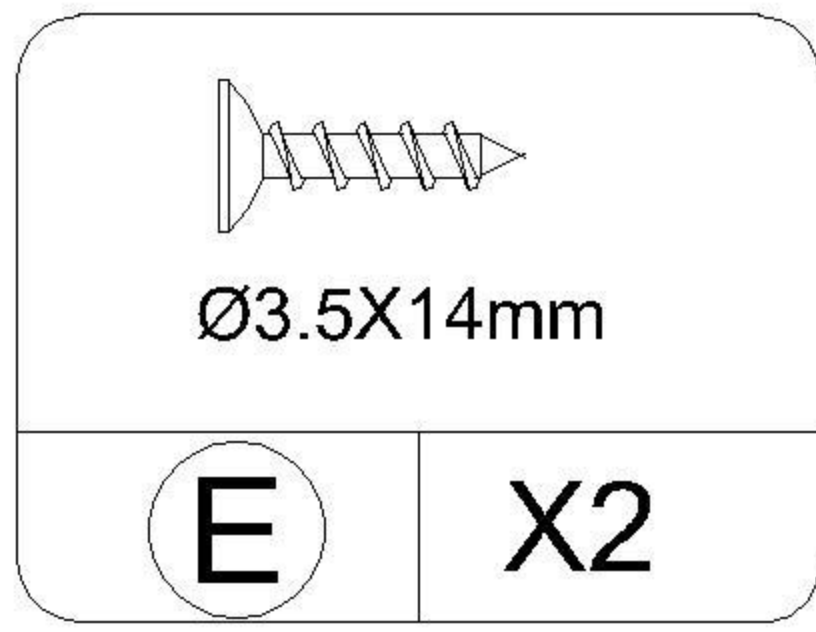
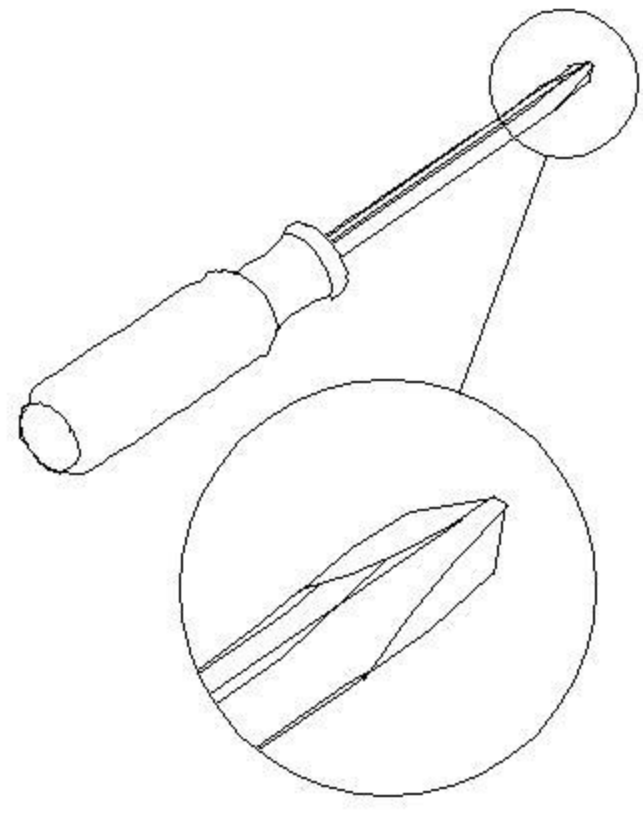


RIGHT CABINET MEMBER

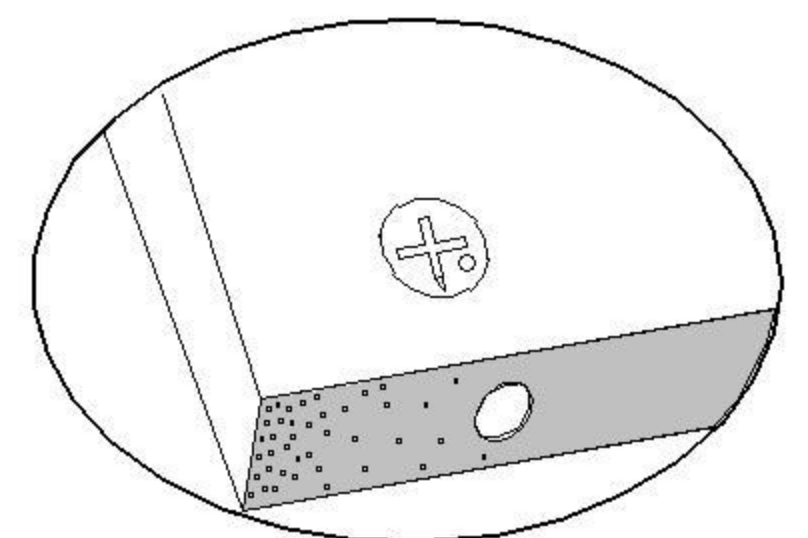
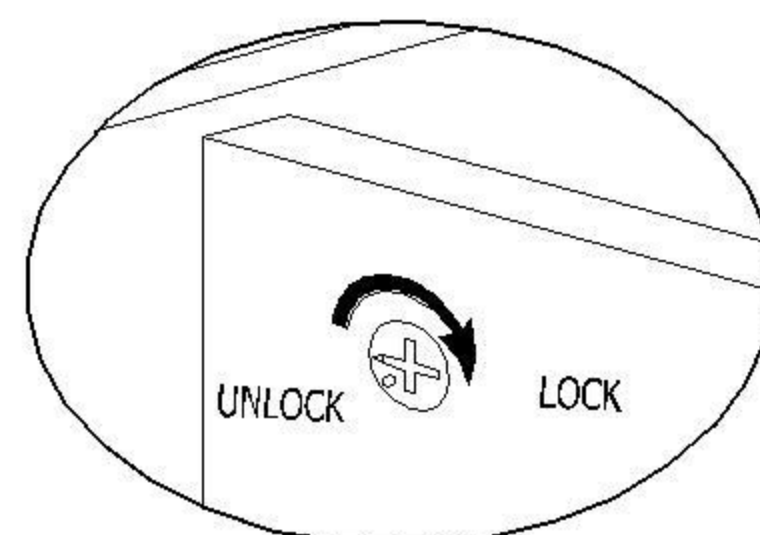
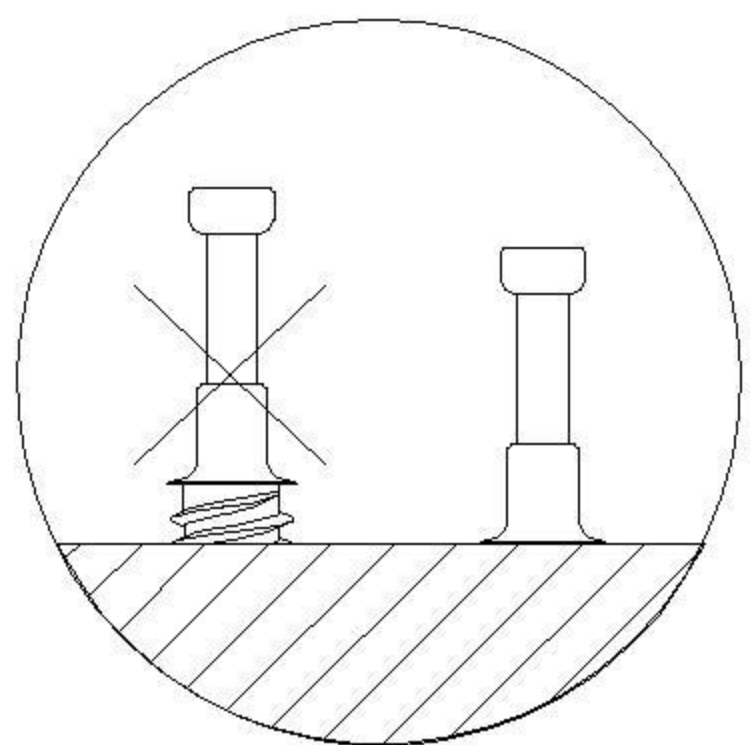
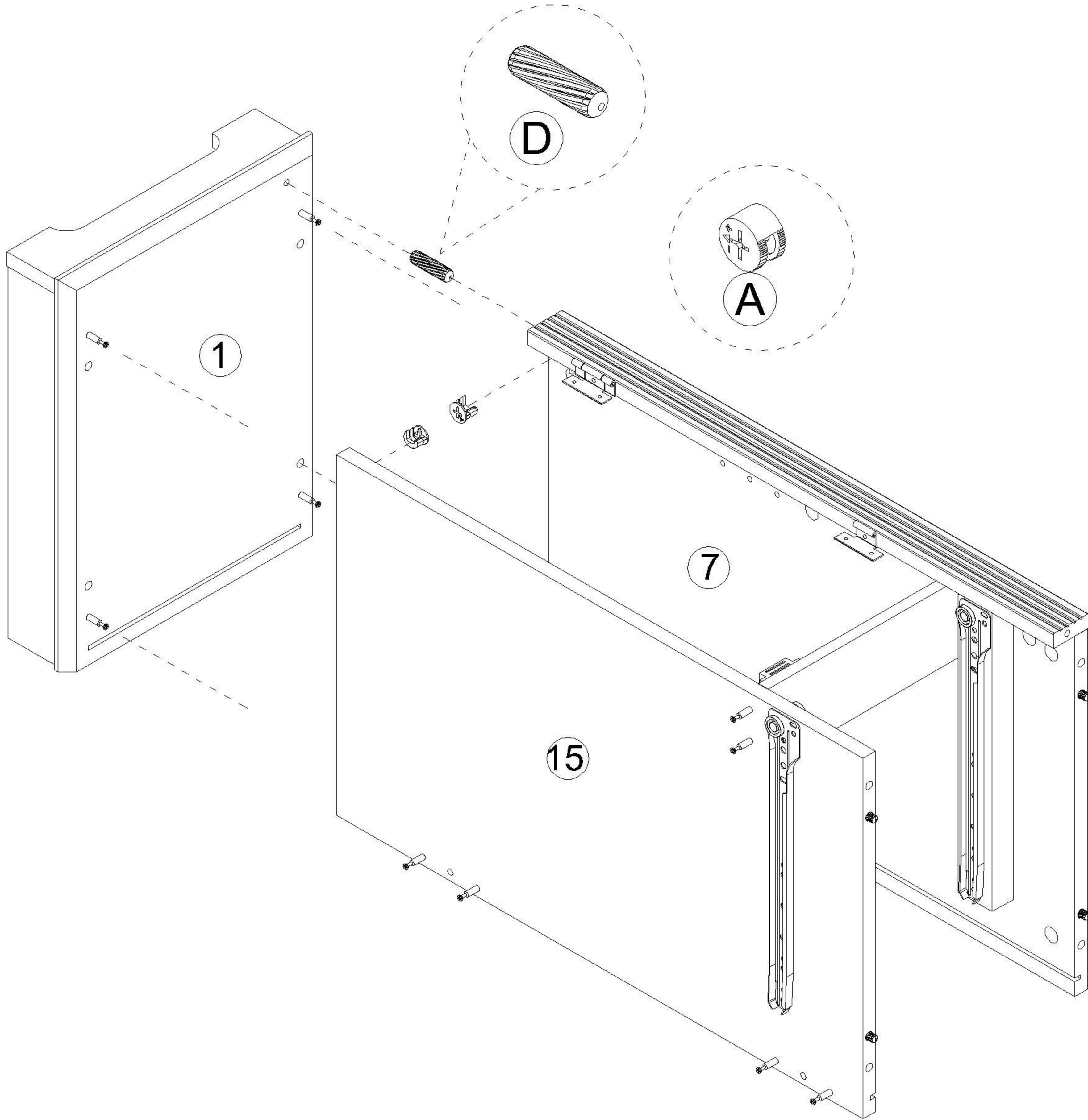
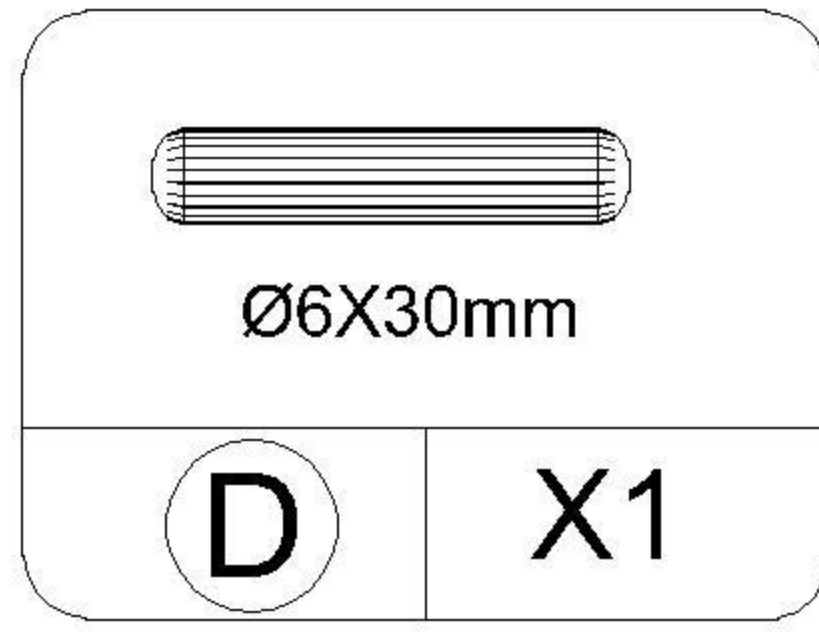
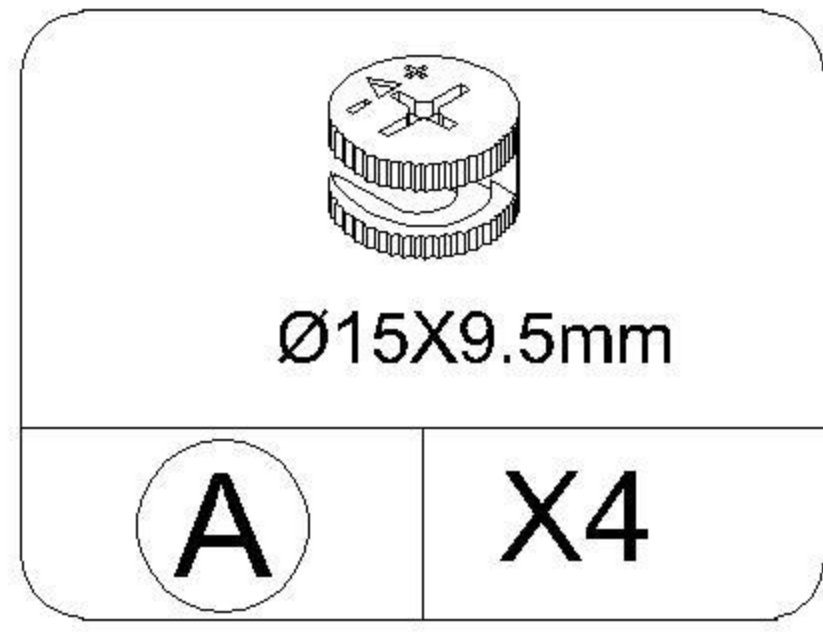
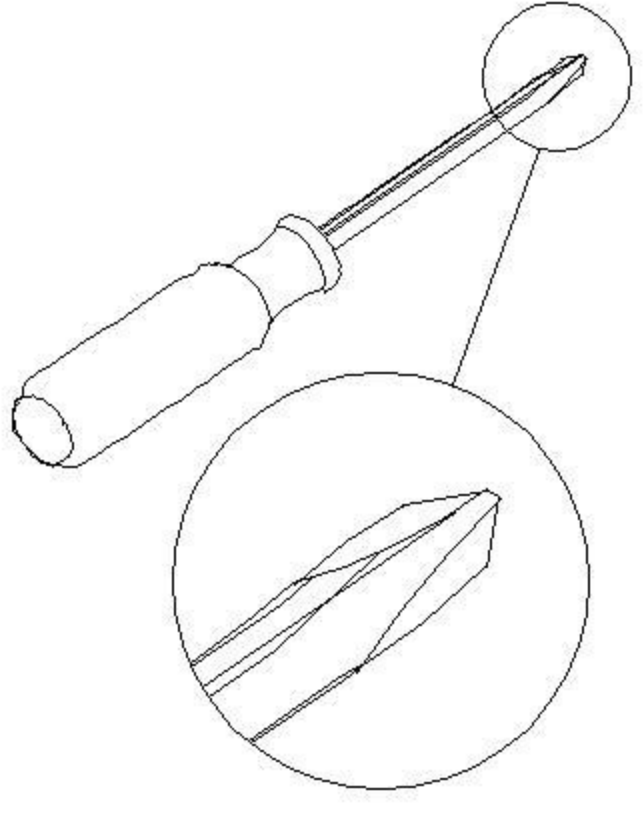


Proper orientation of CAM LOCK

STEP 15

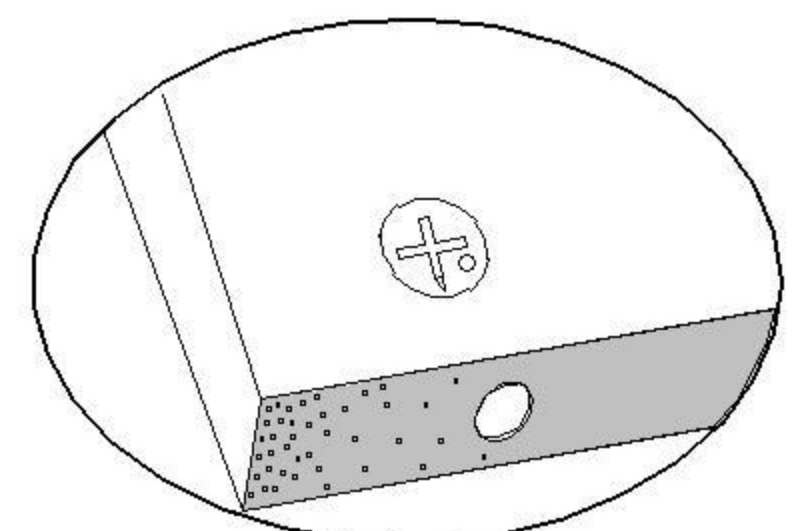
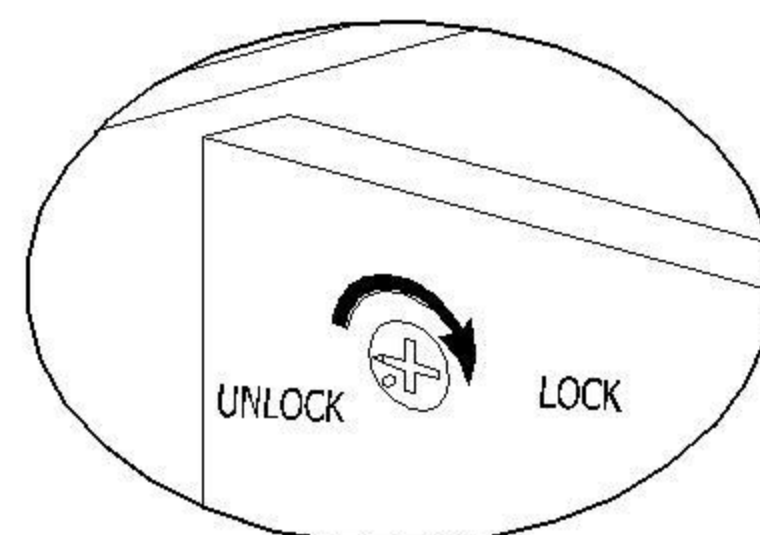
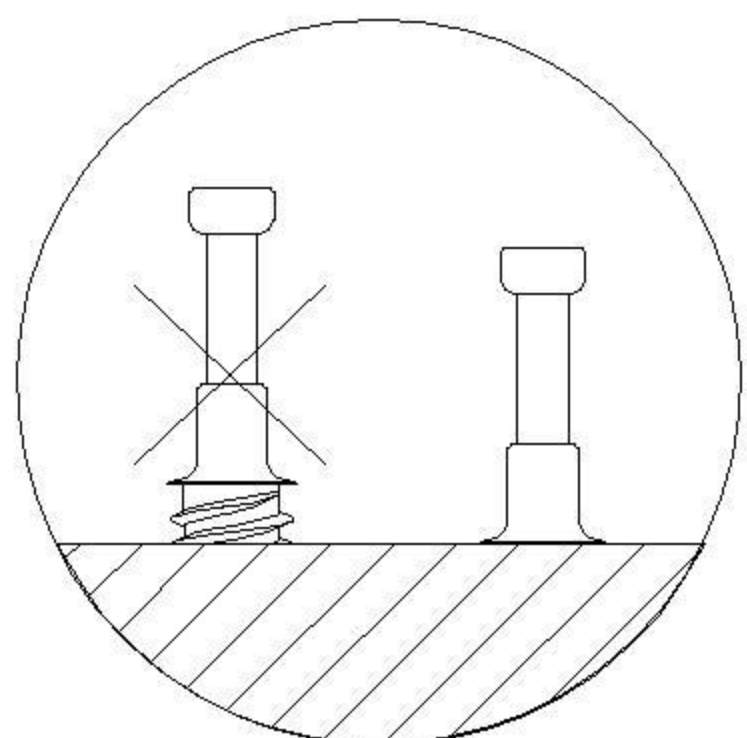
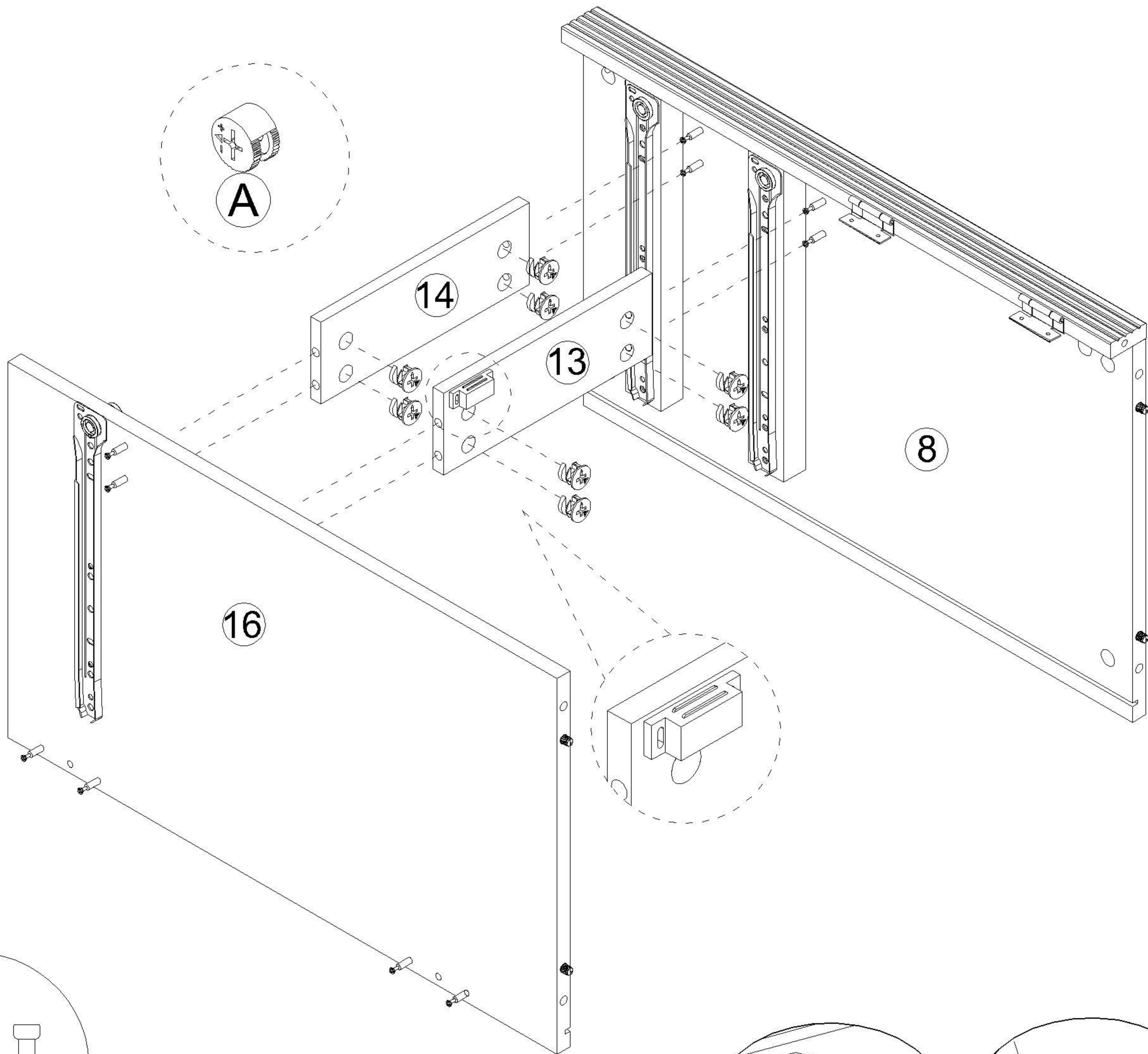
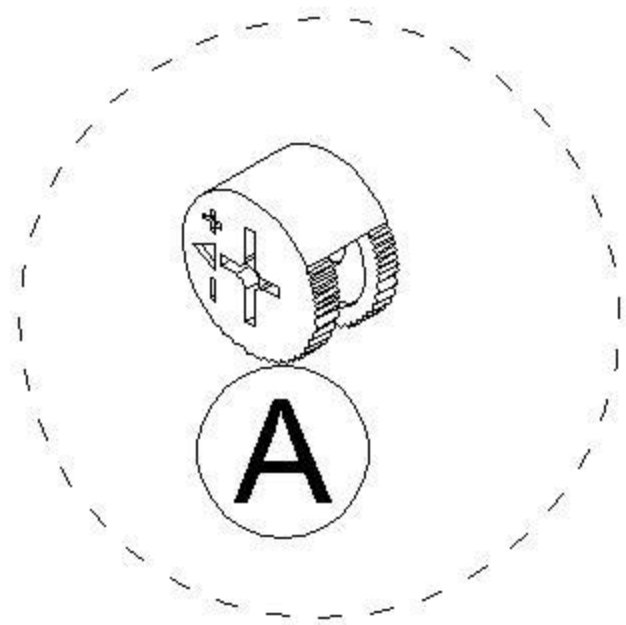
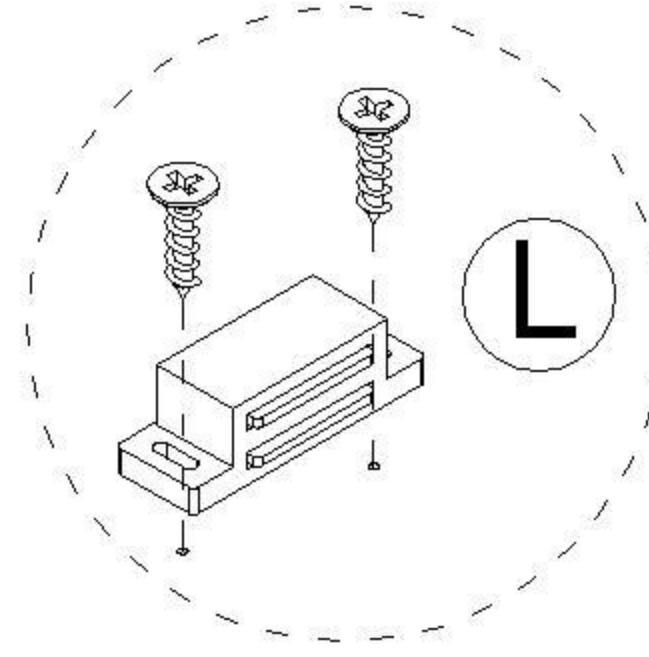
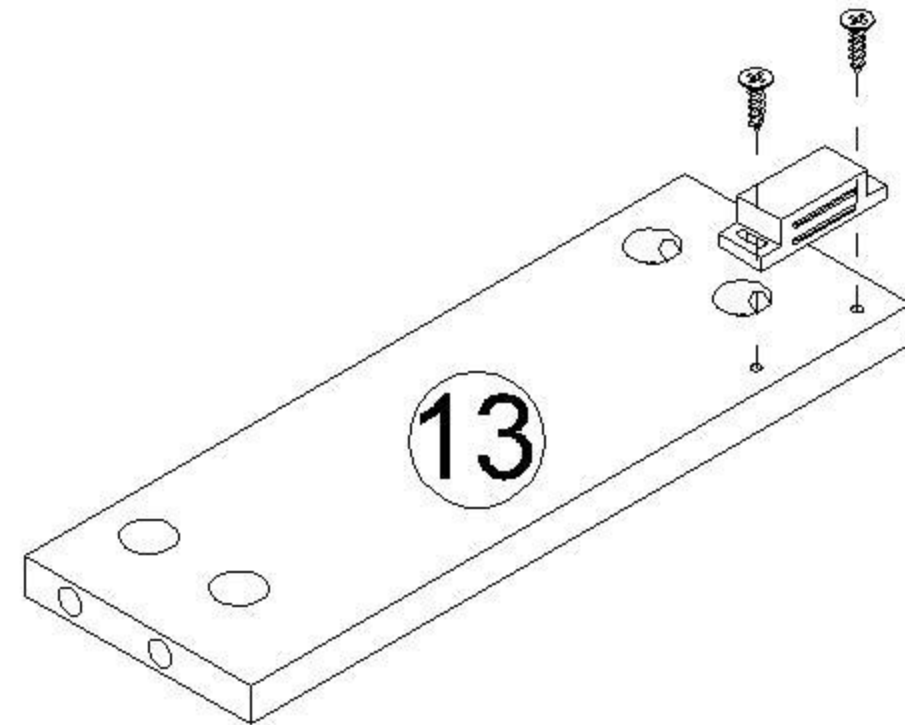
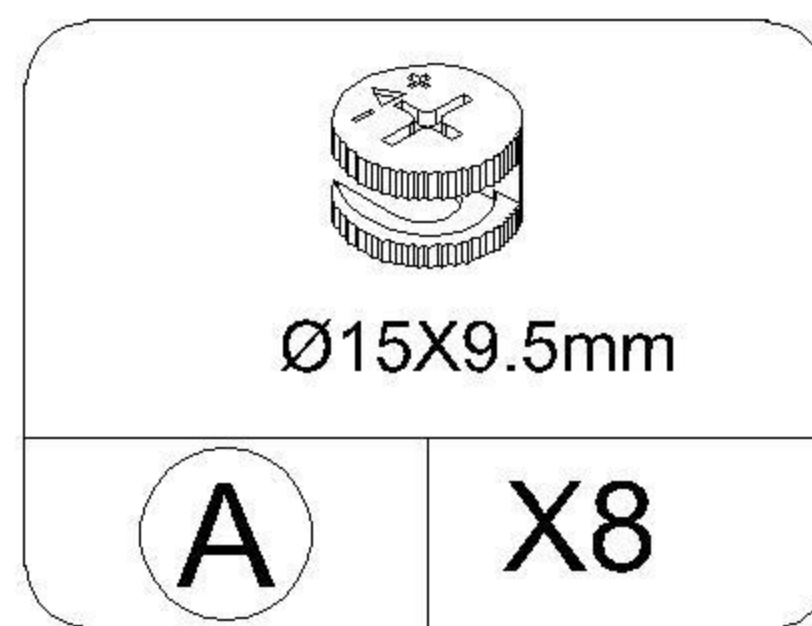
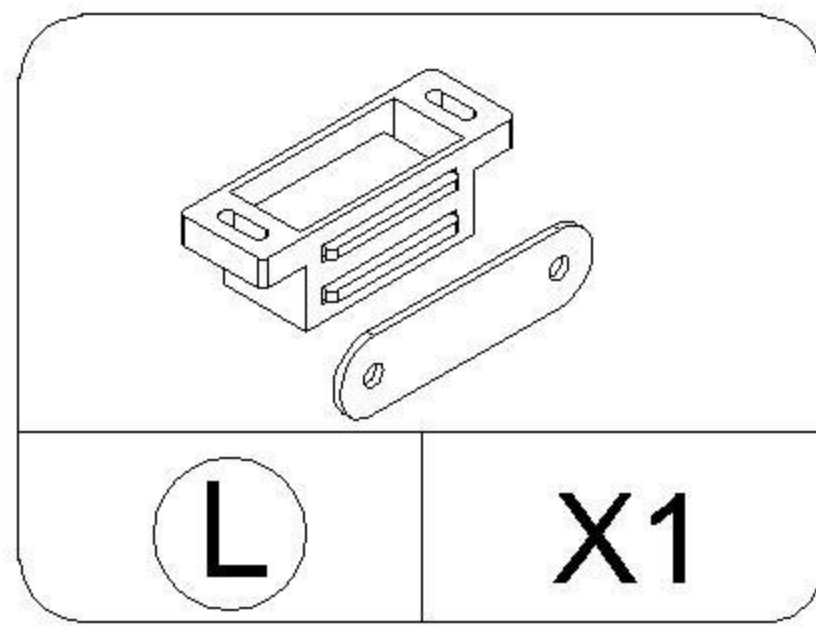
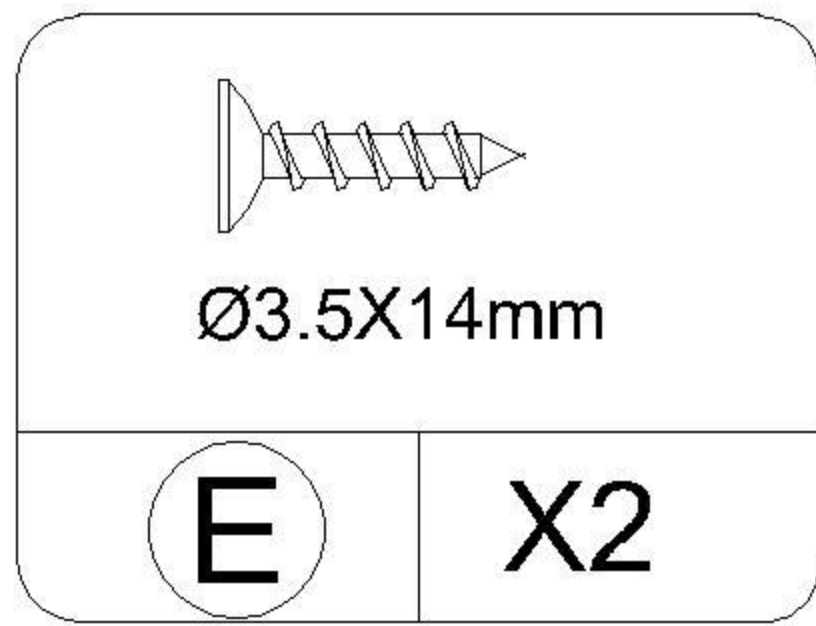
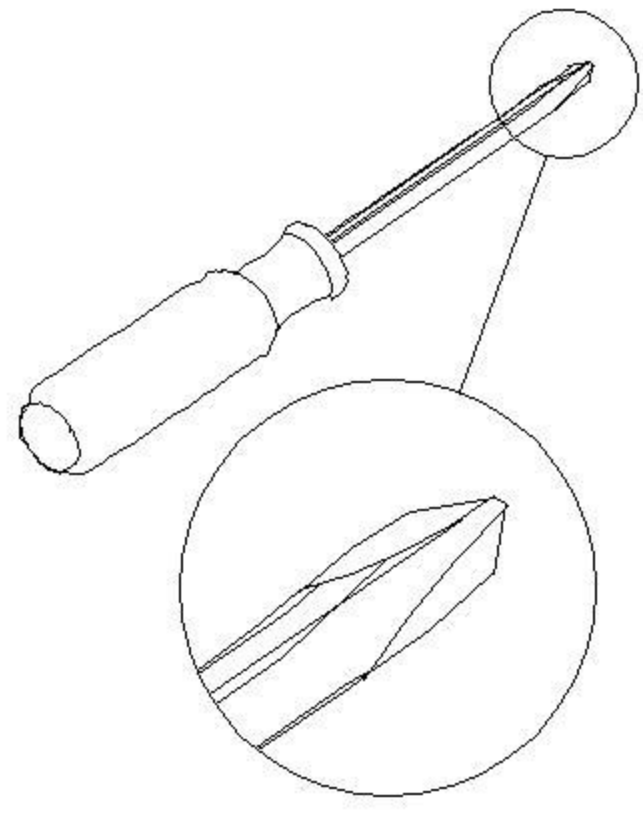


STEP 16

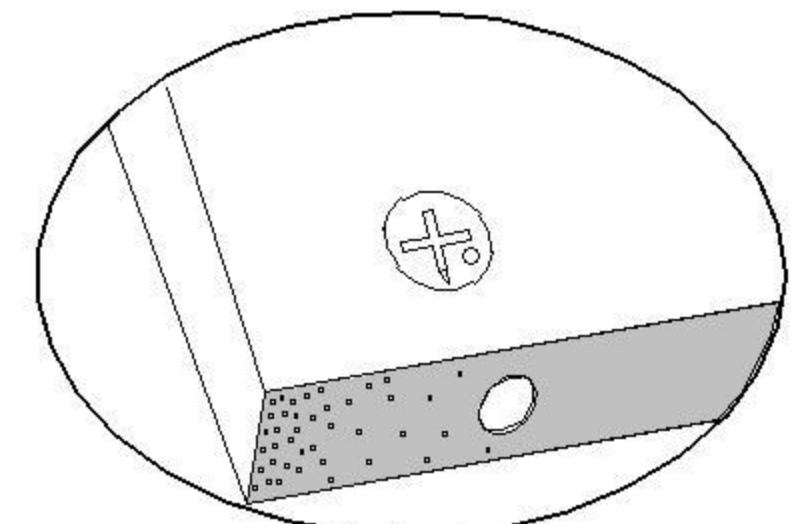
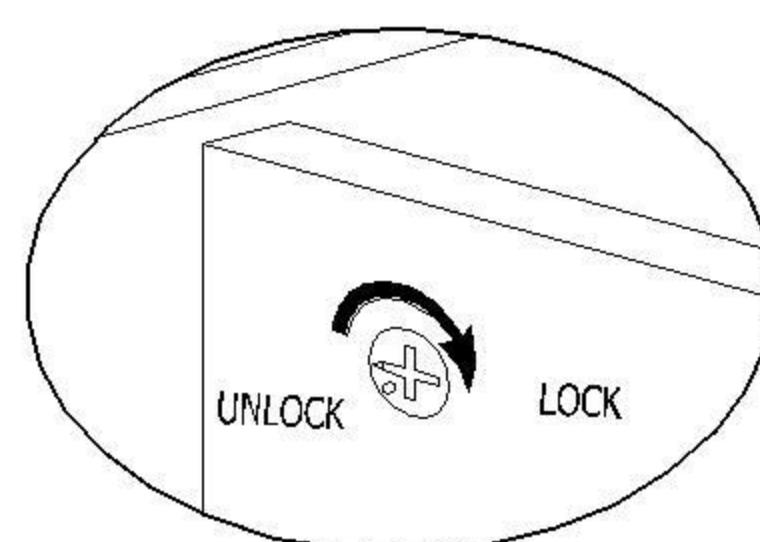
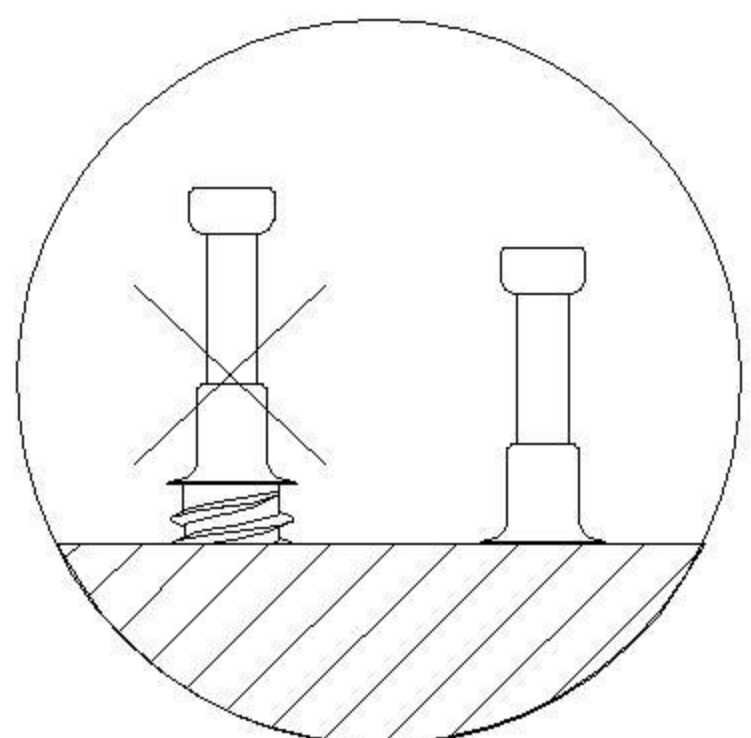
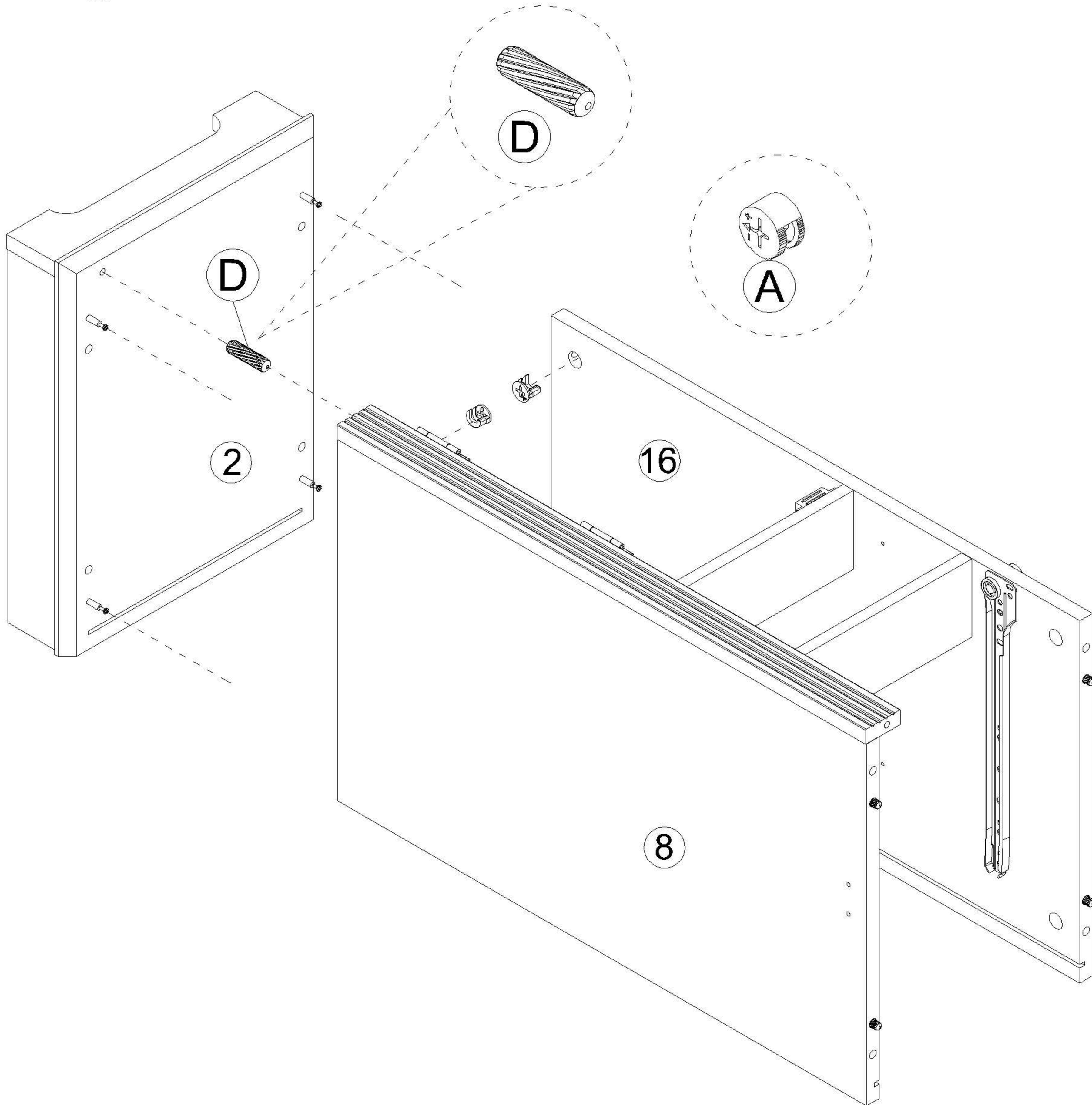
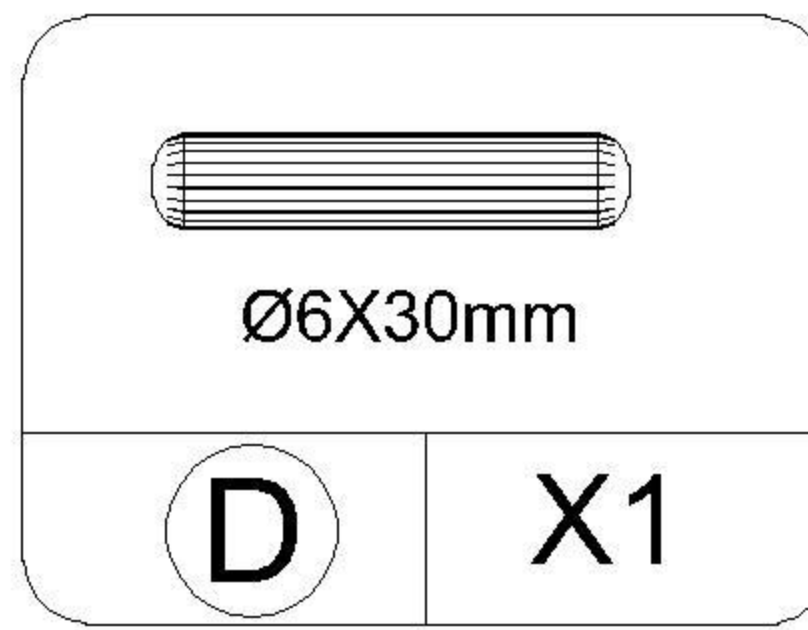
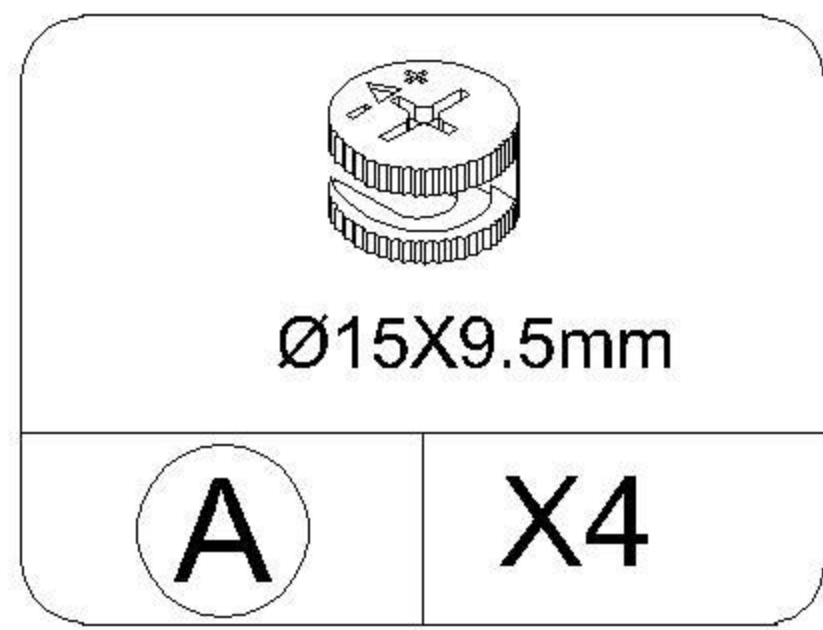
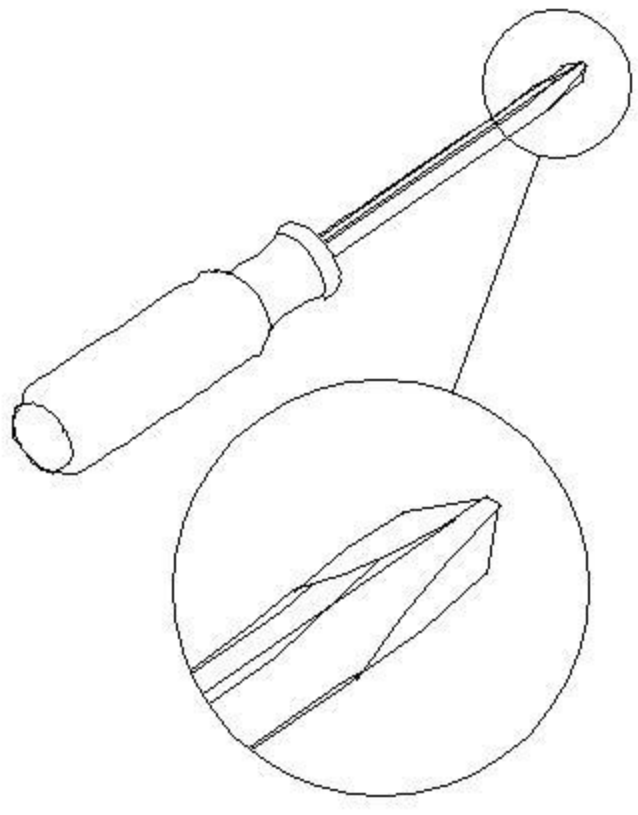


Proper orientation of CAM LOCK

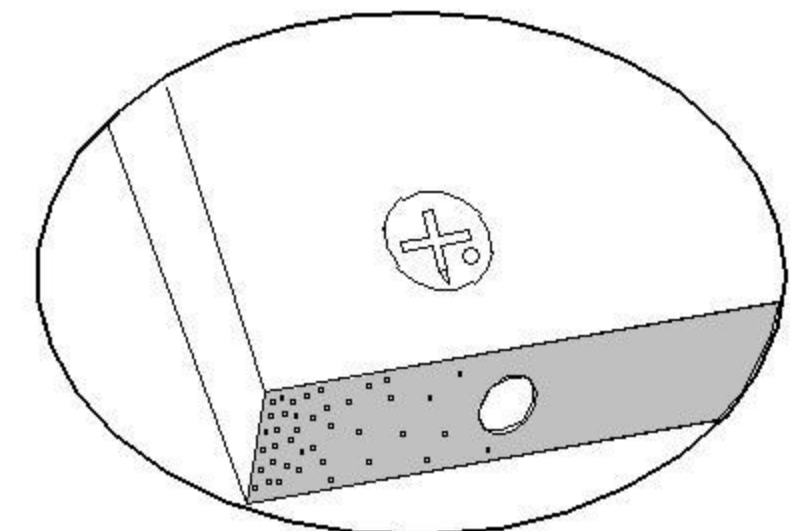
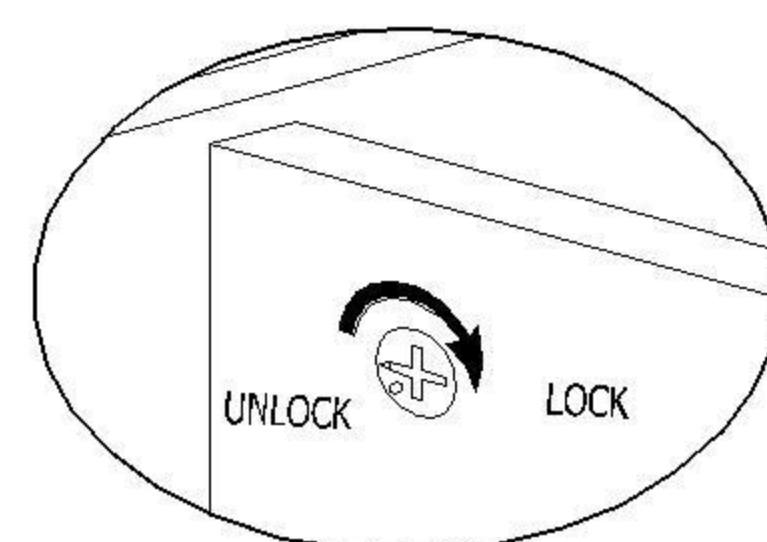
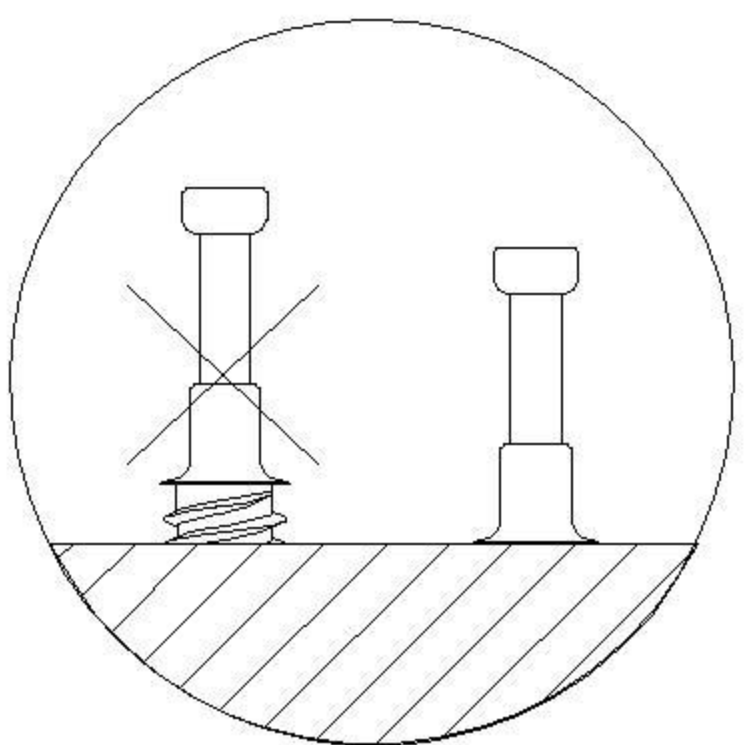
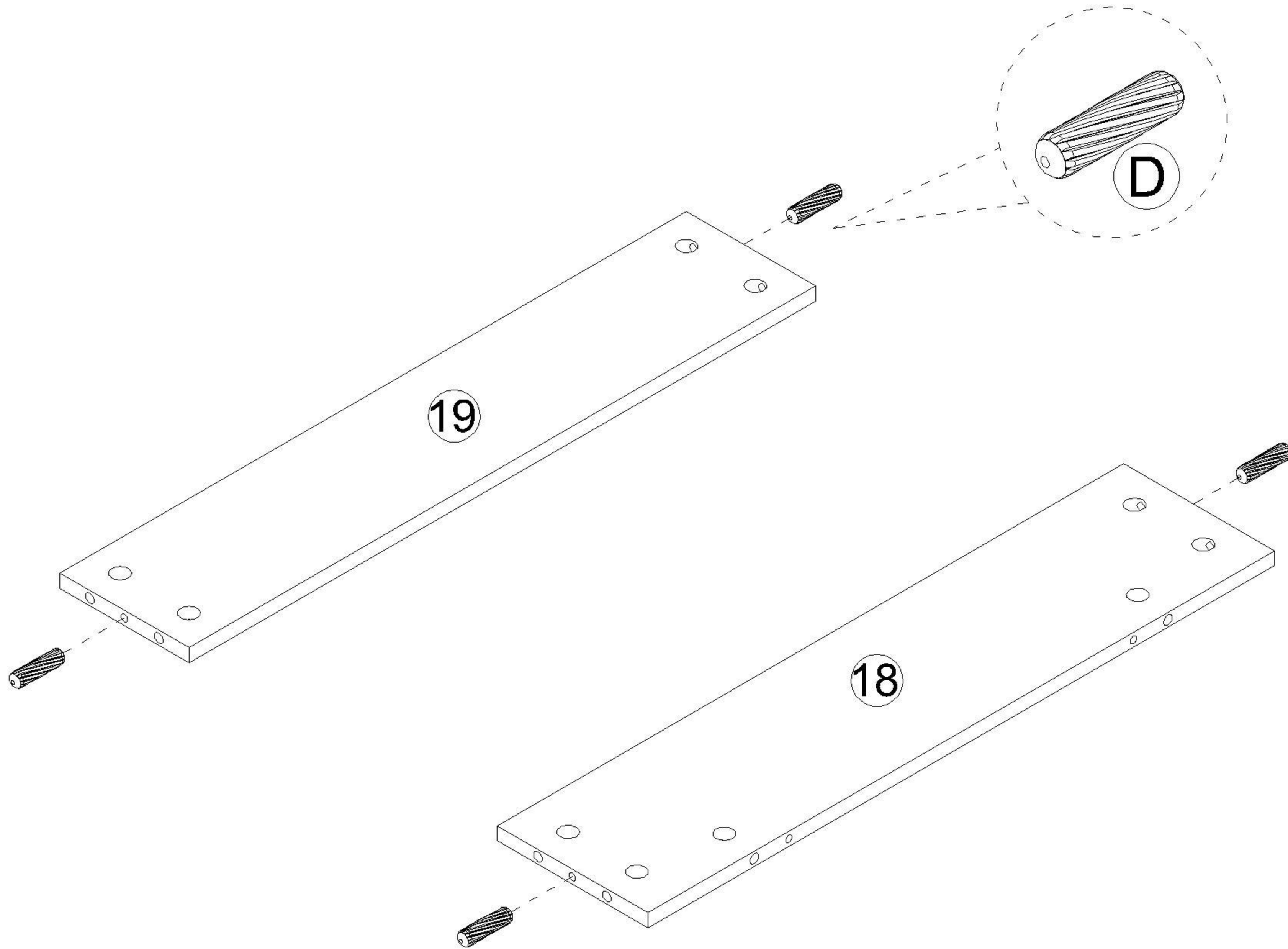
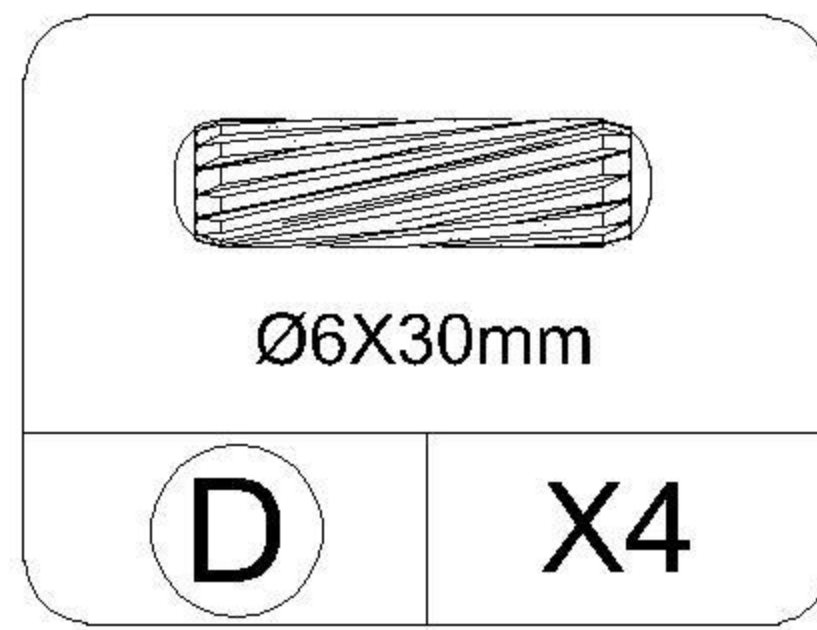
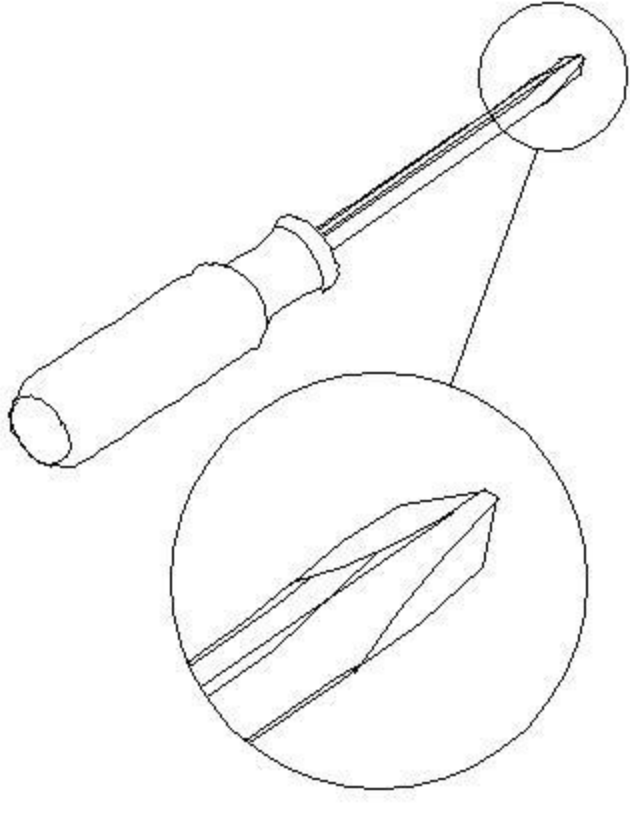
STEP 17



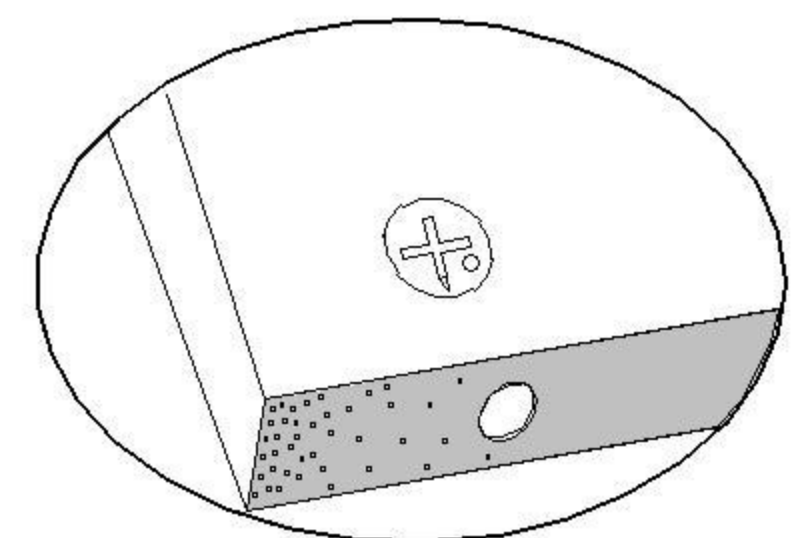
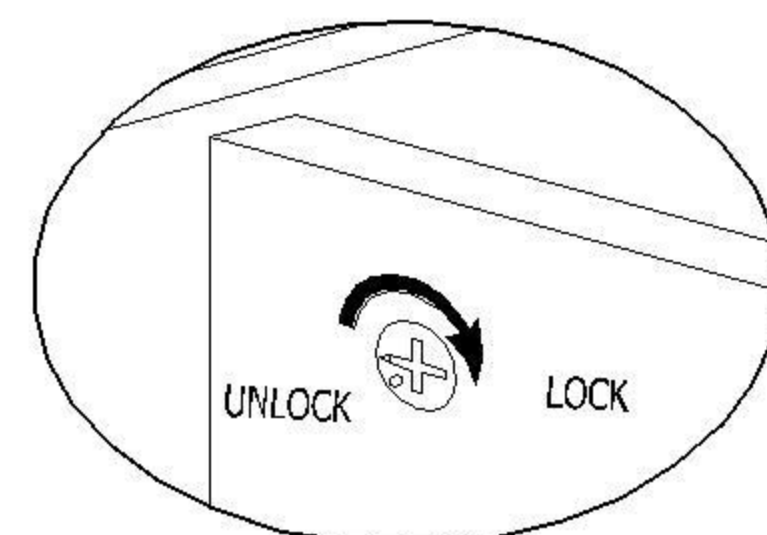
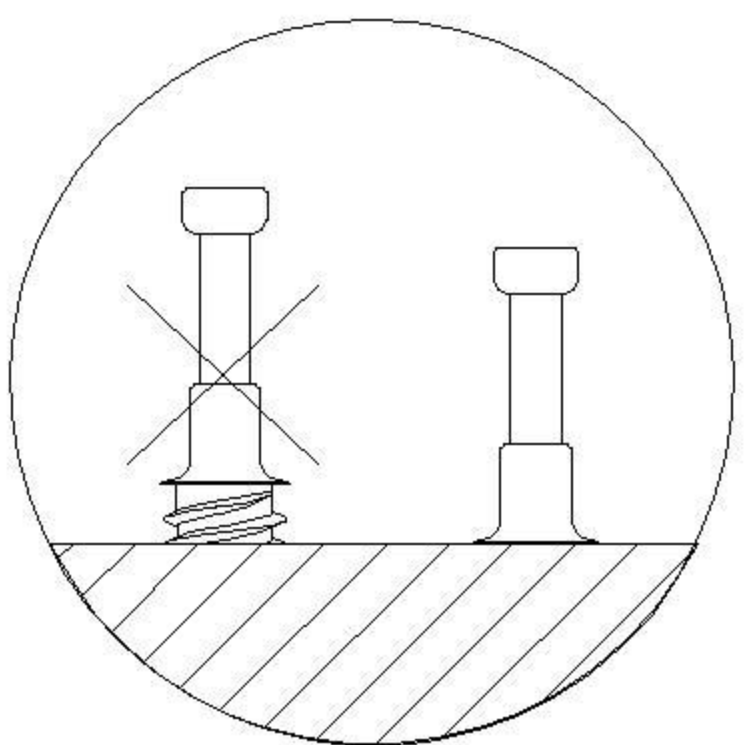
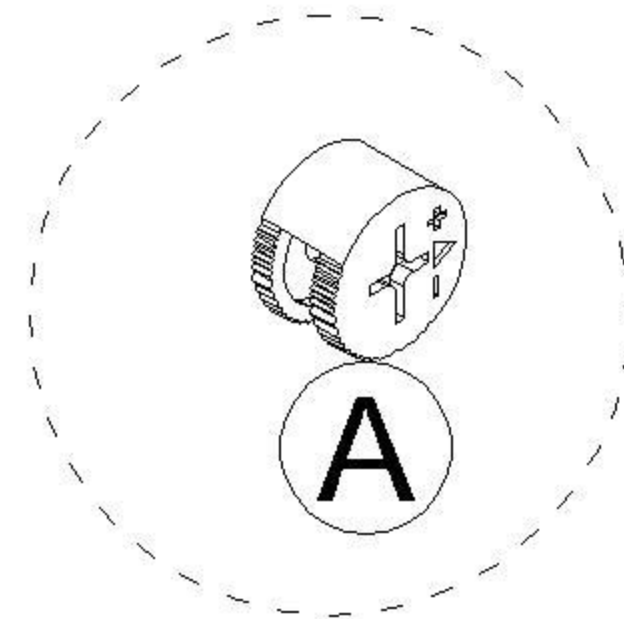
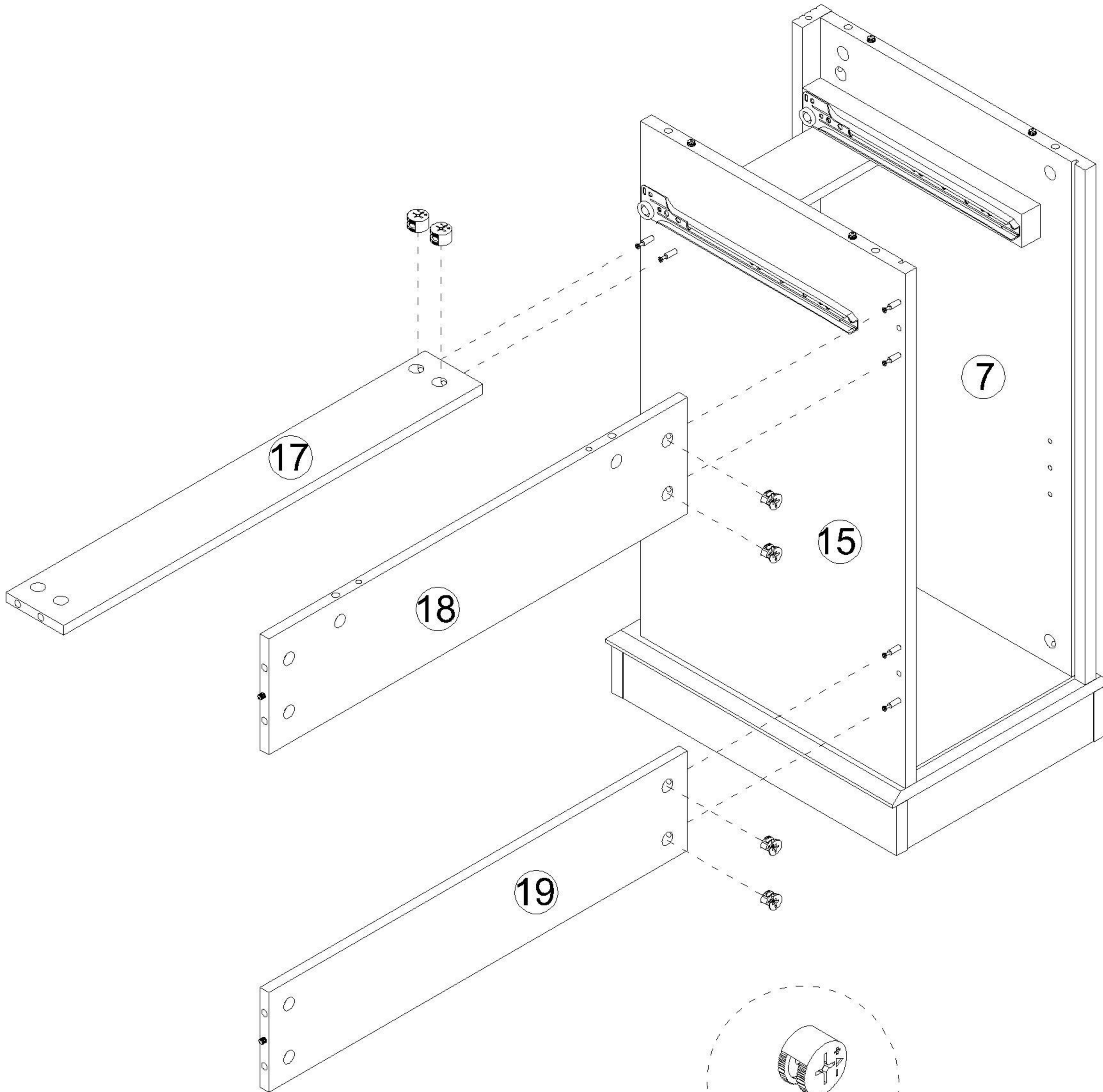
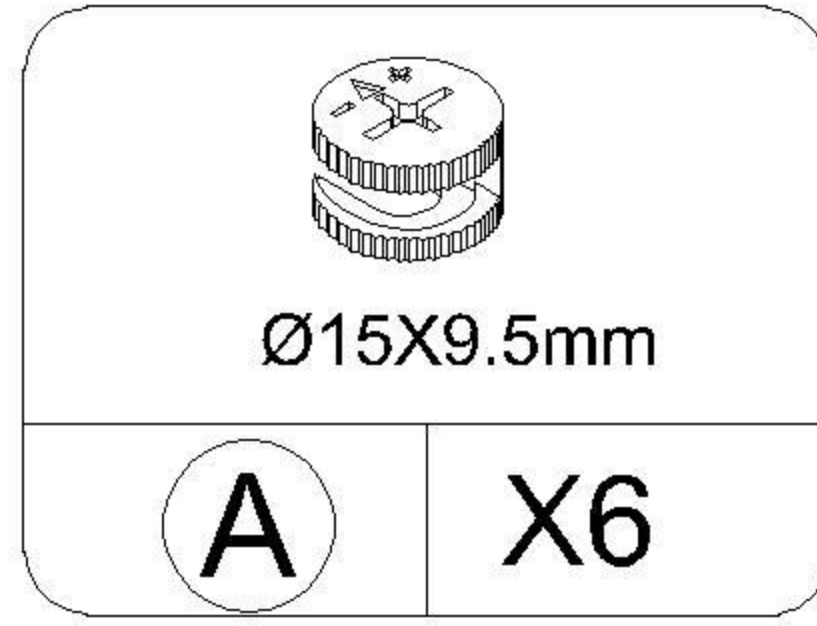
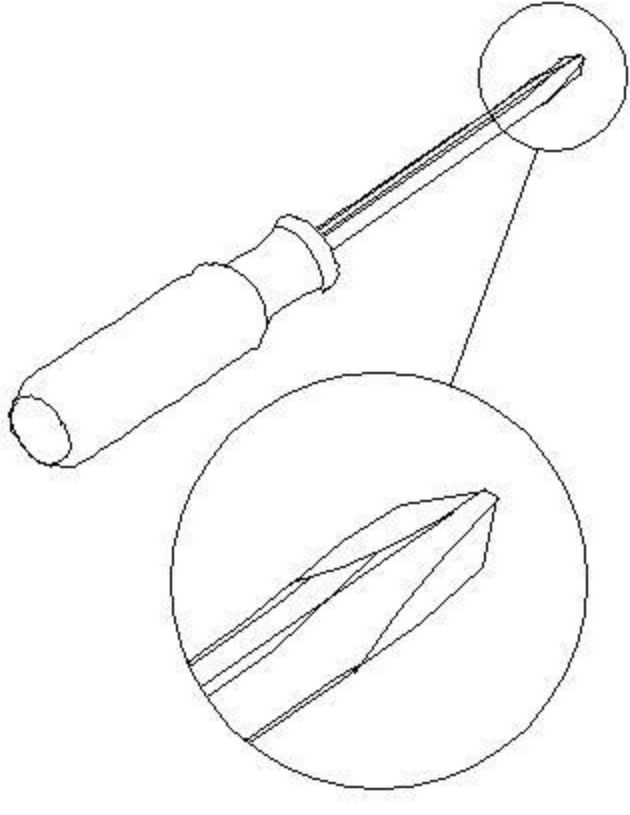
STEP18



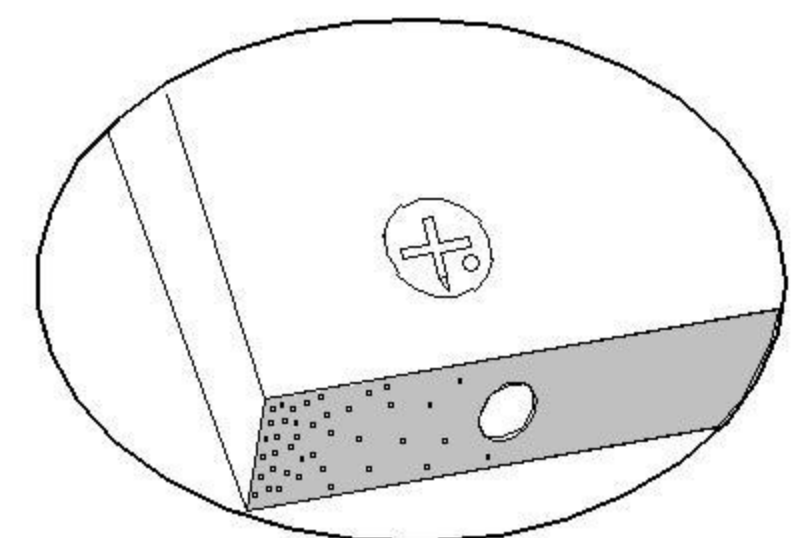
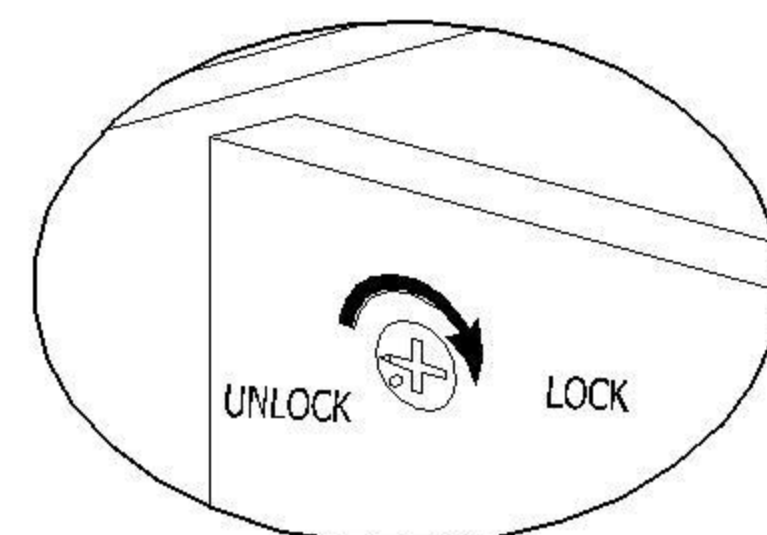
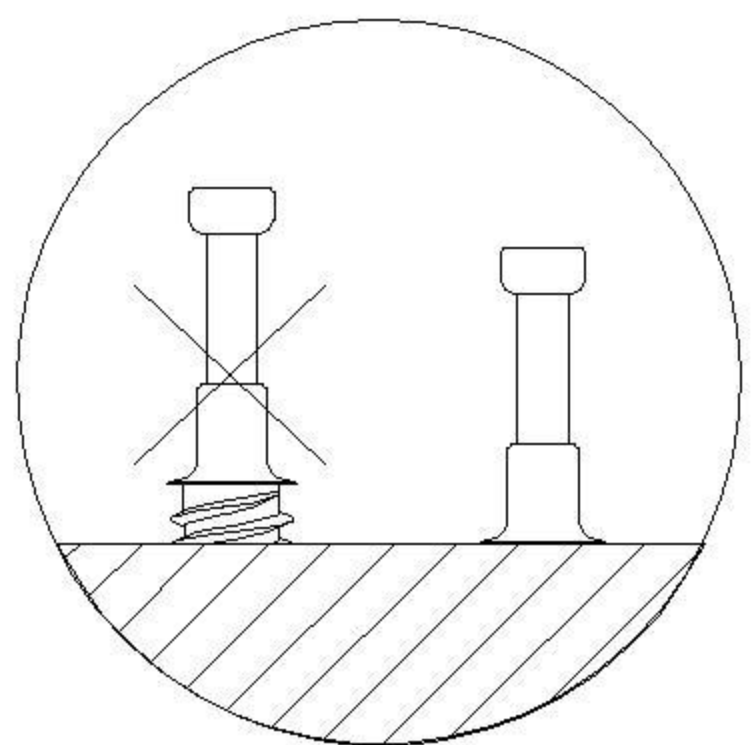
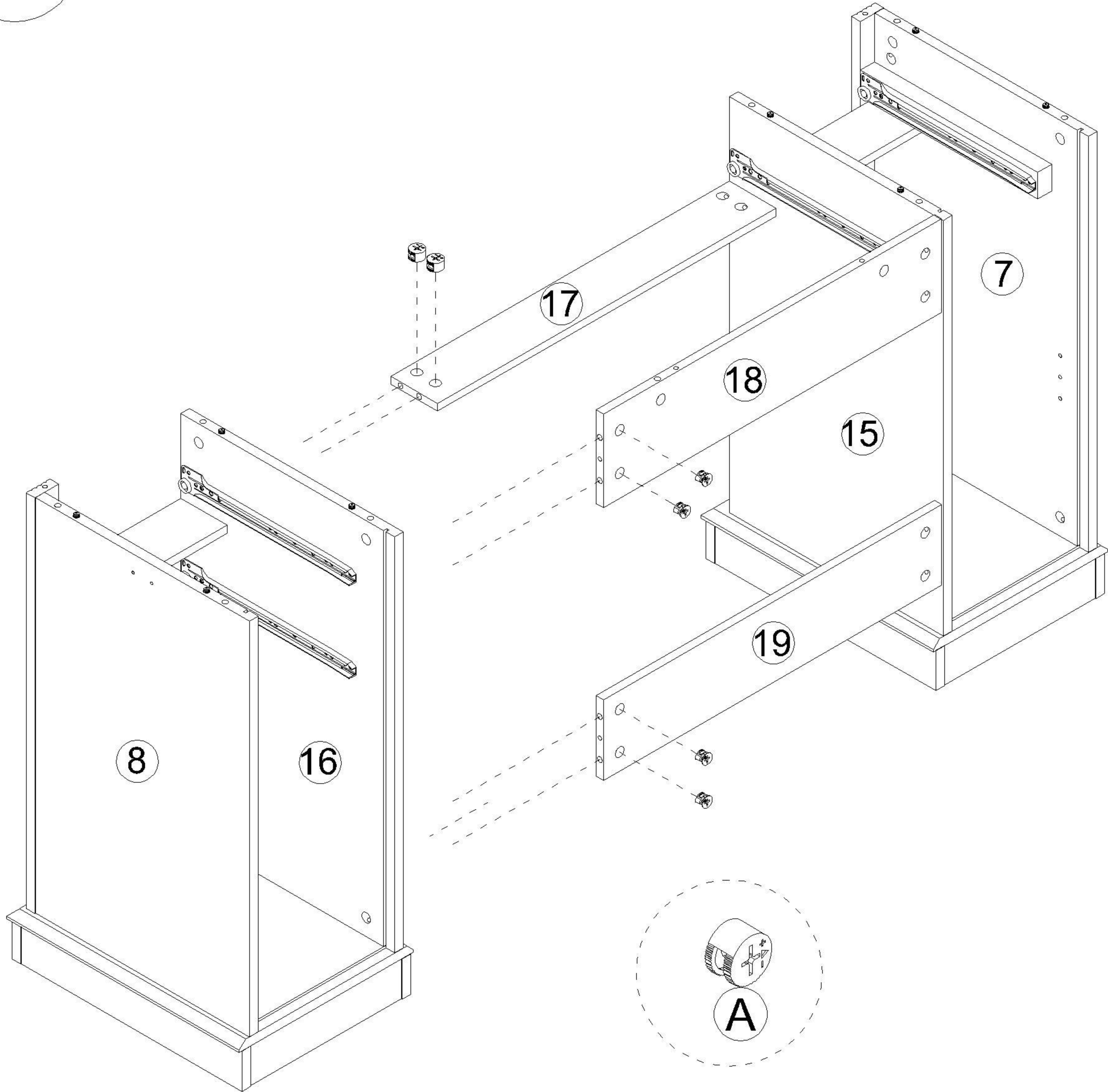
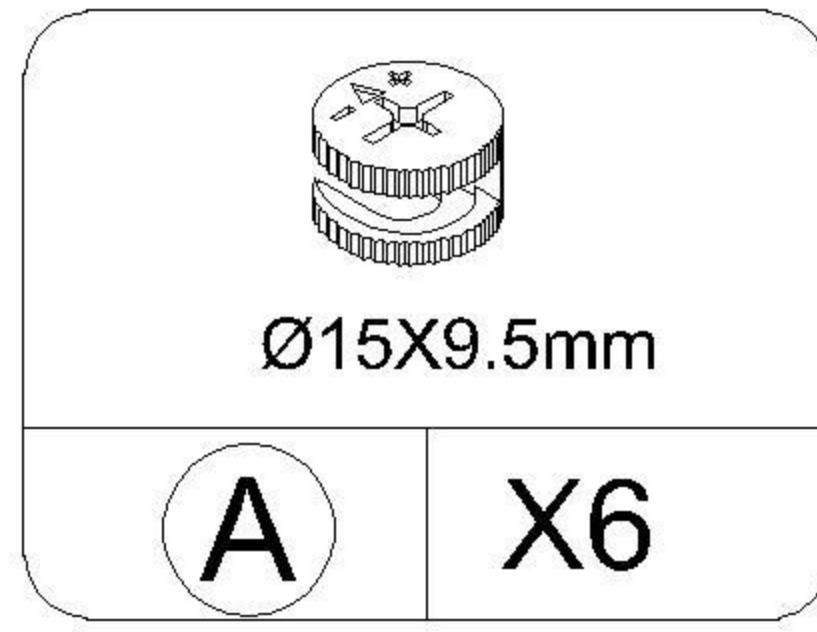
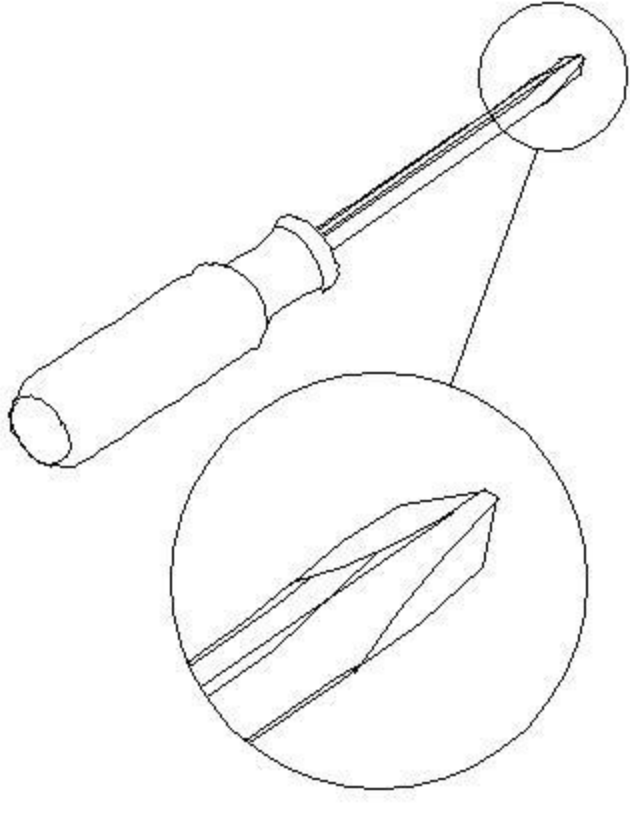
STEP 19



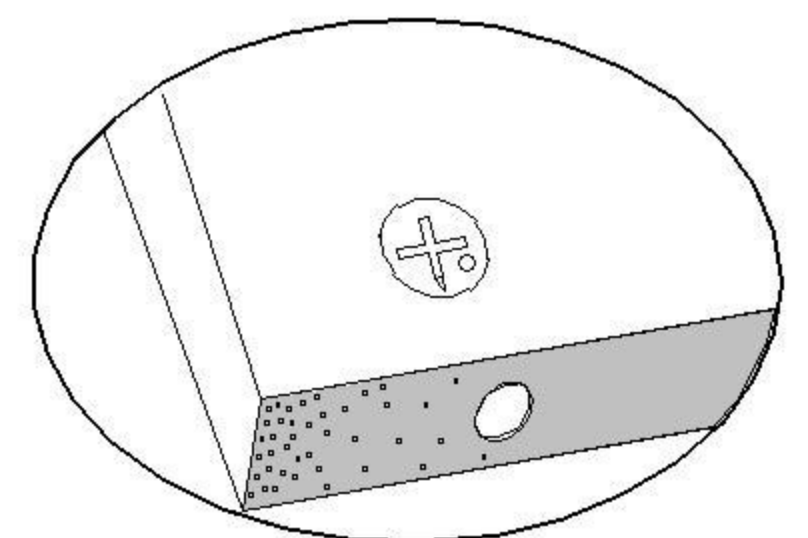
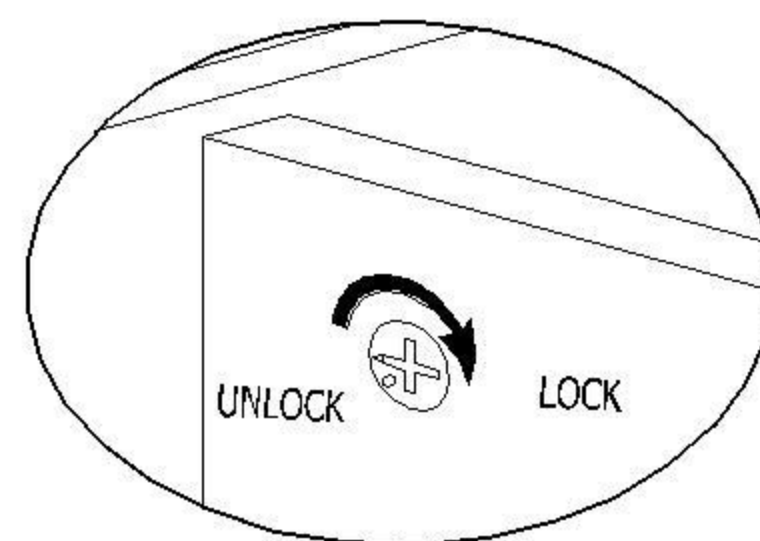
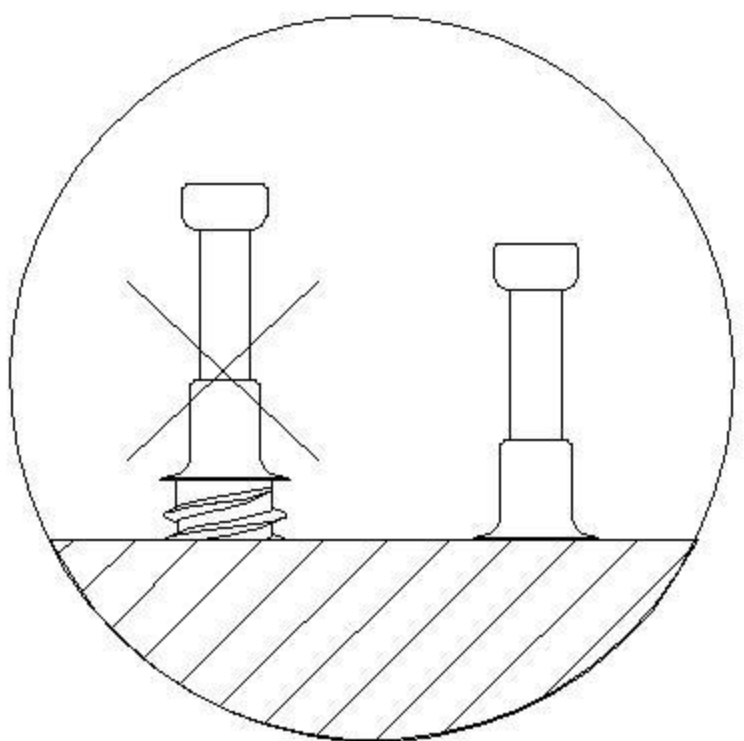
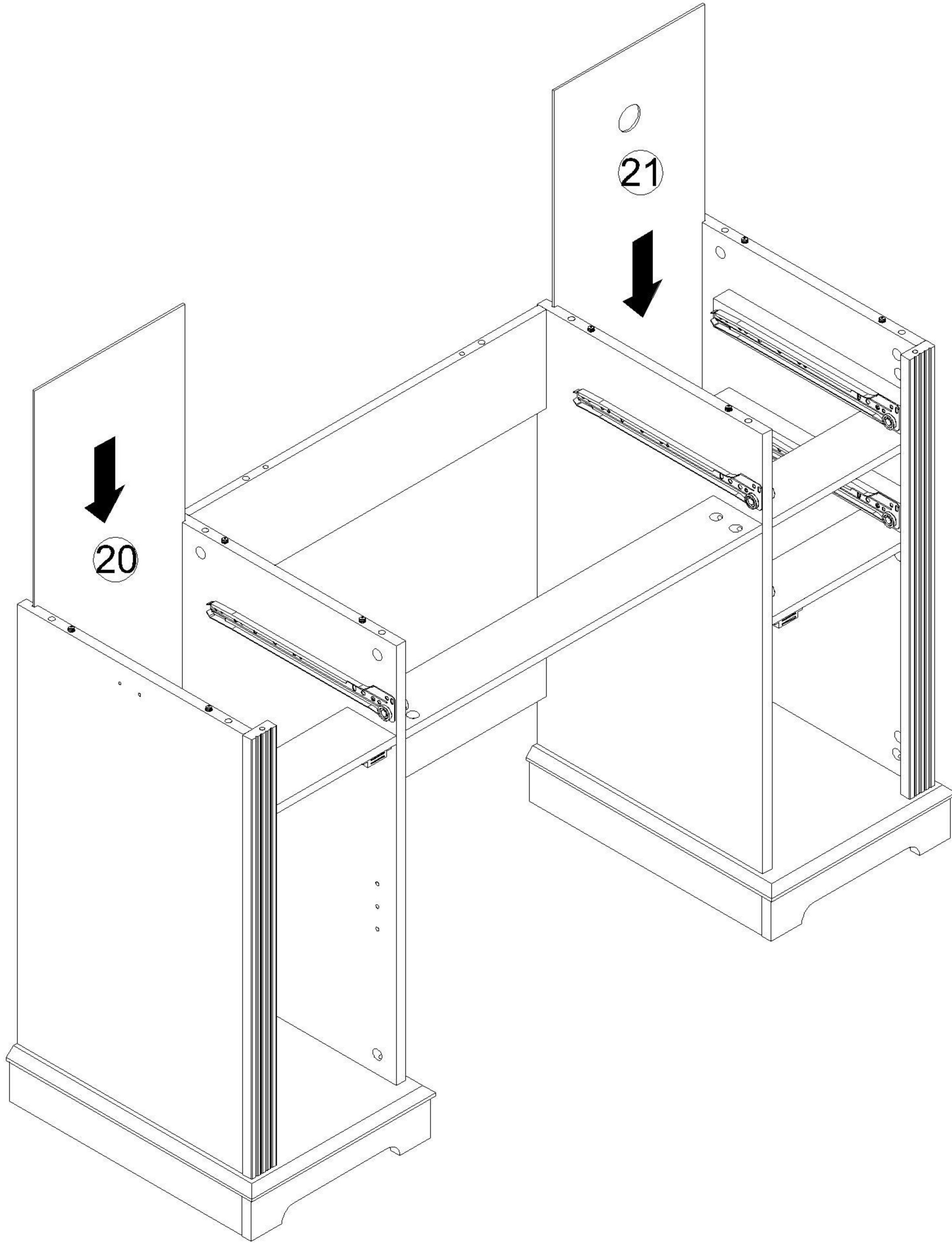
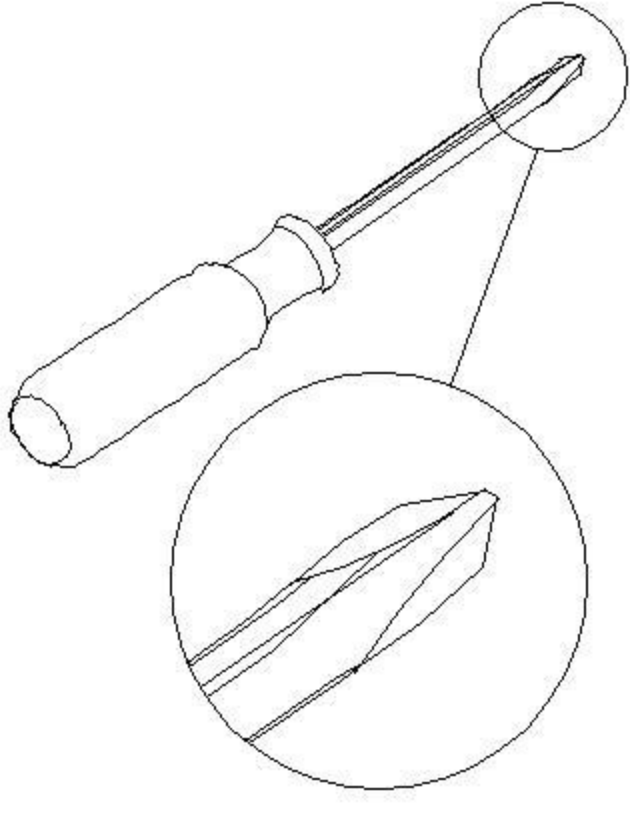
STEP 20



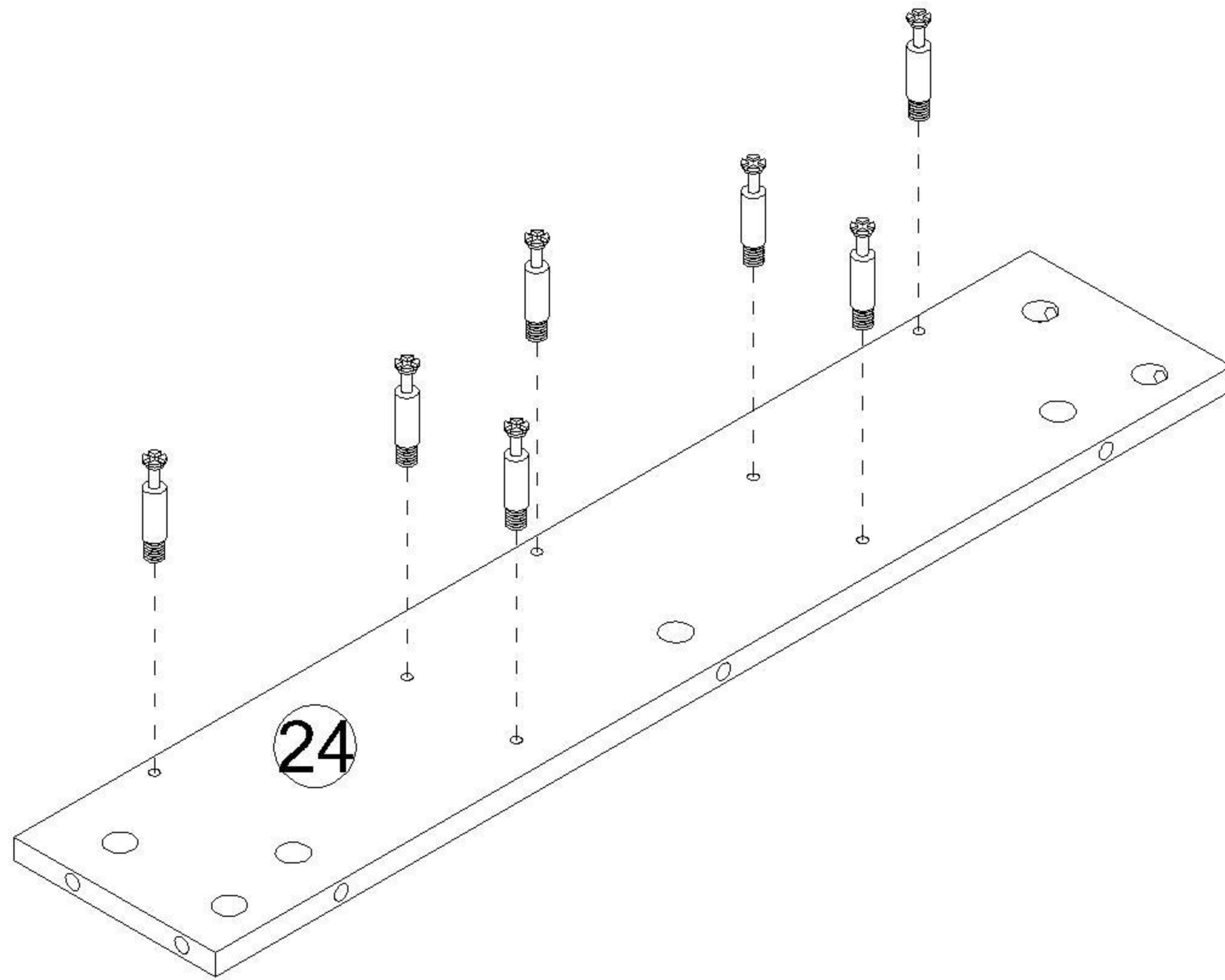
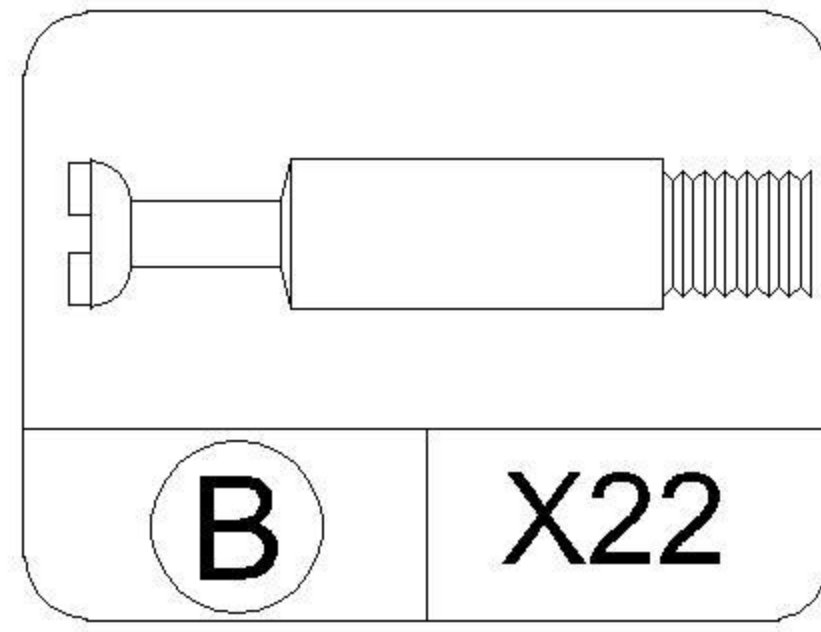
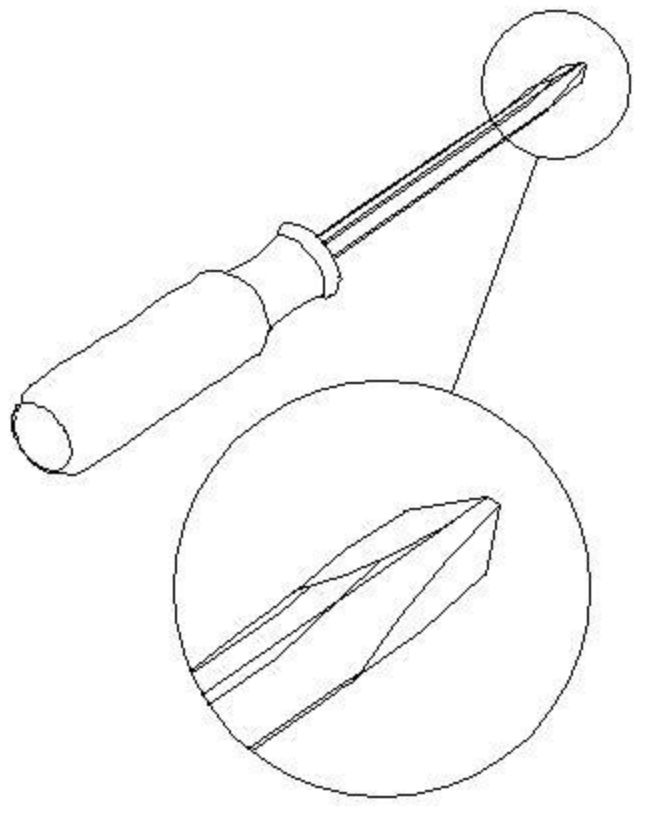
STEP 21



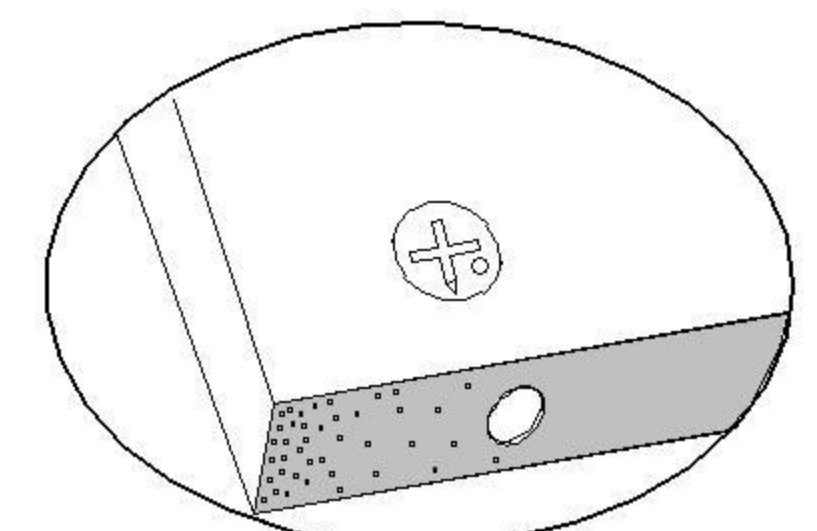
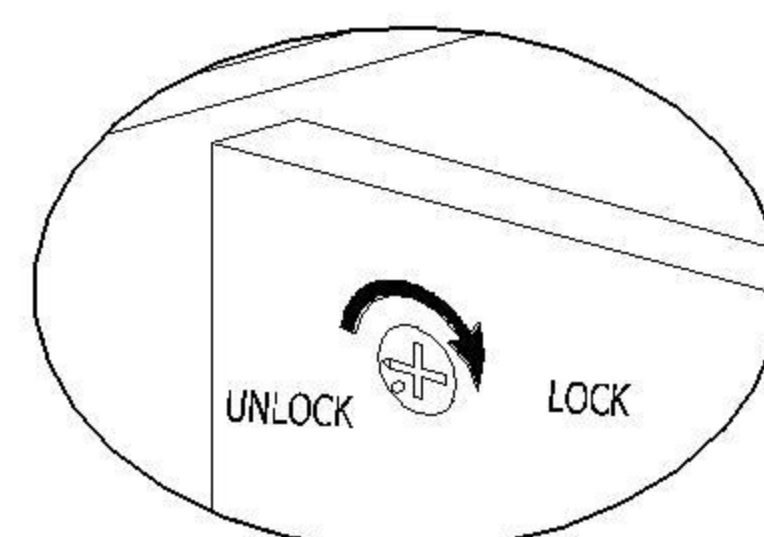
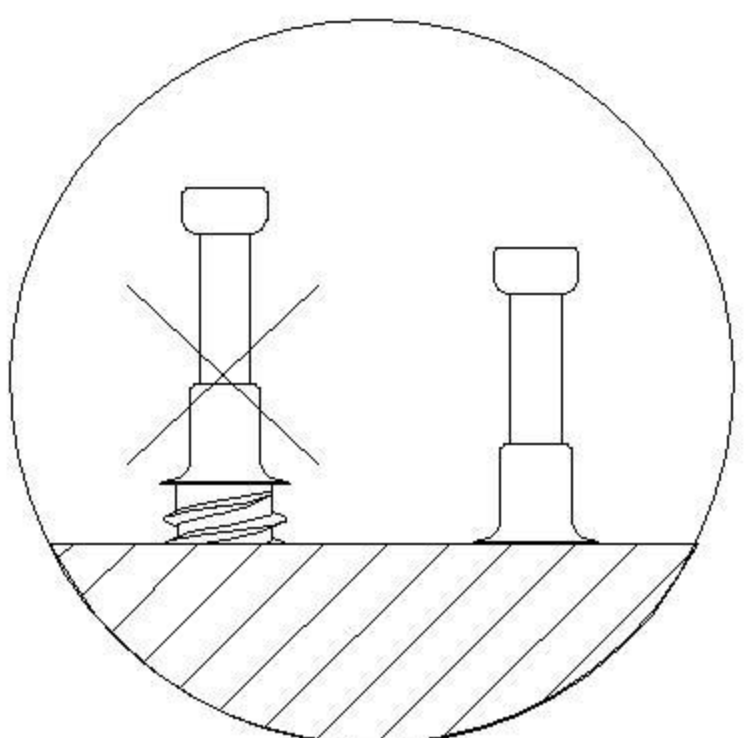
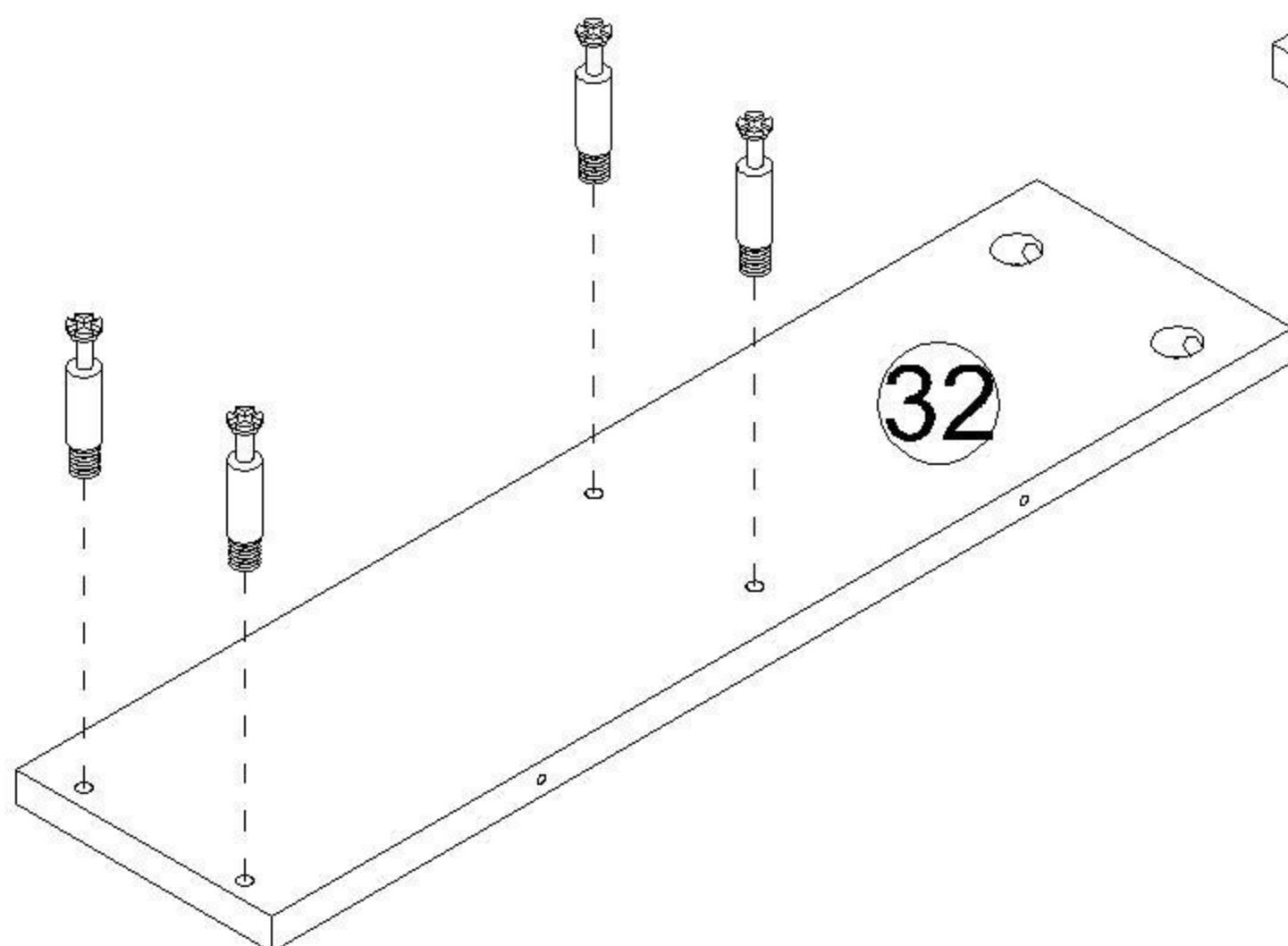
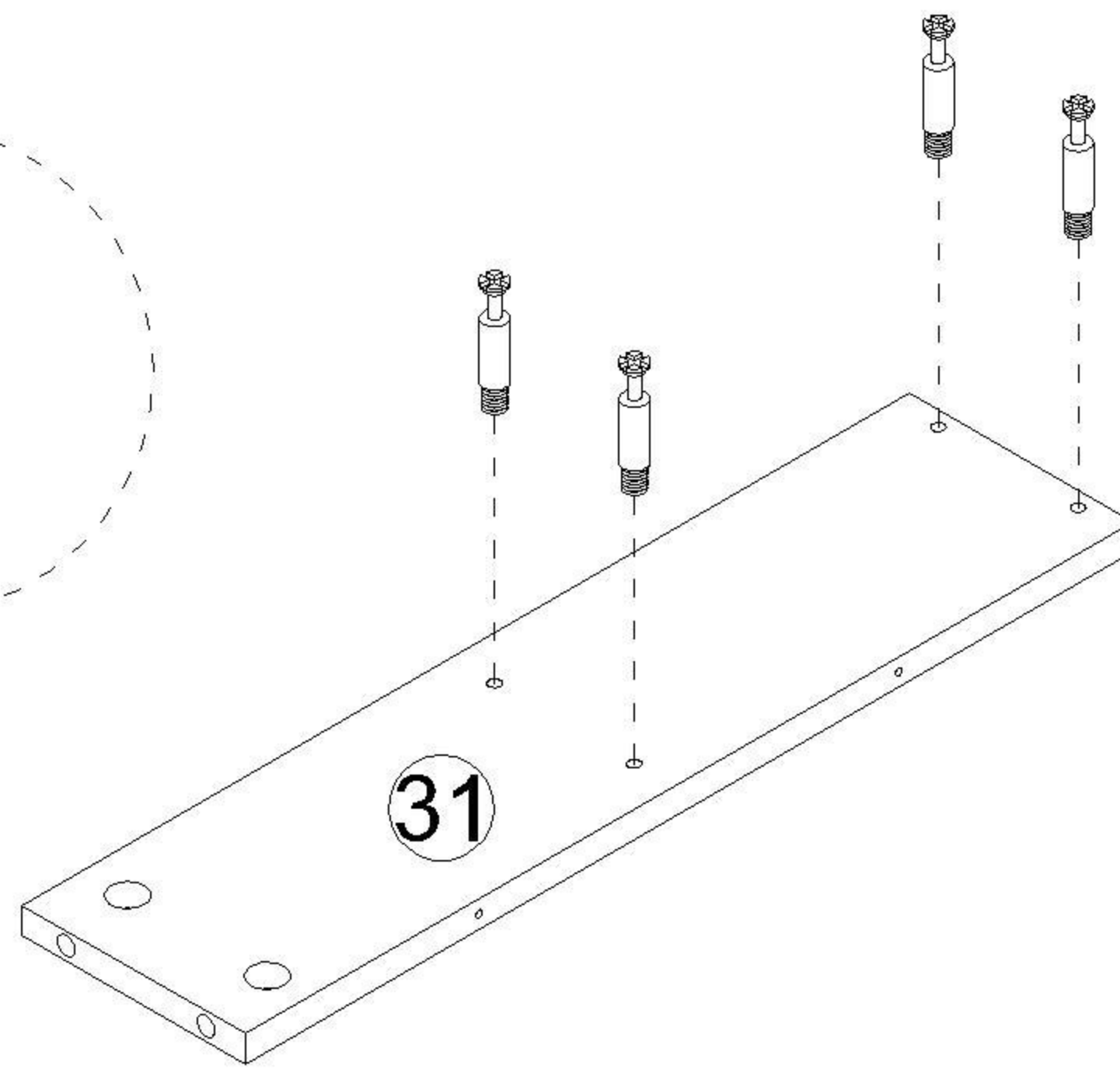
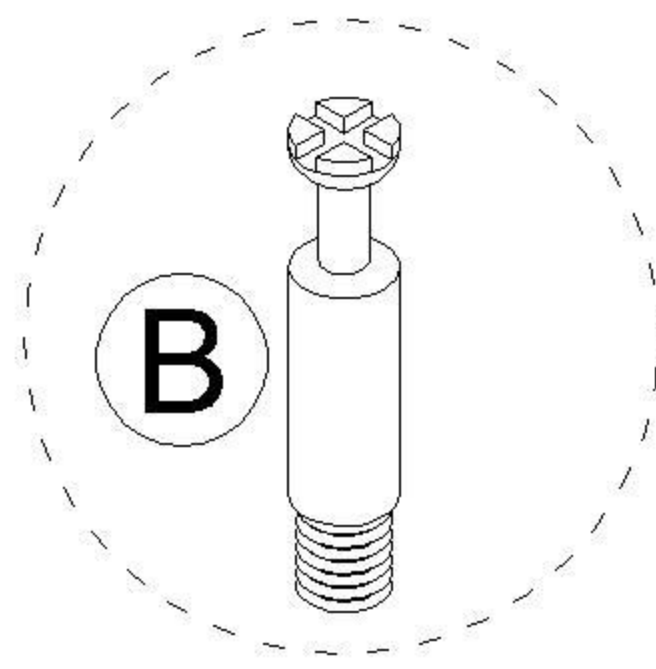
STEP 22



STEP 23

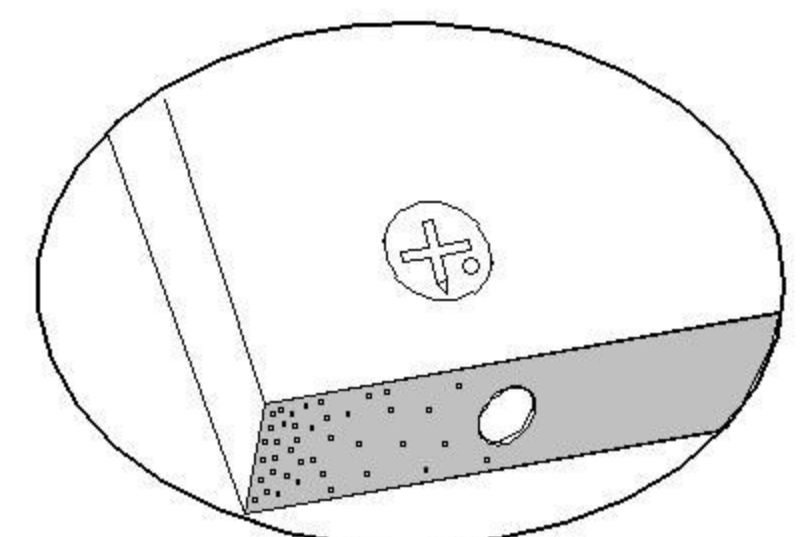
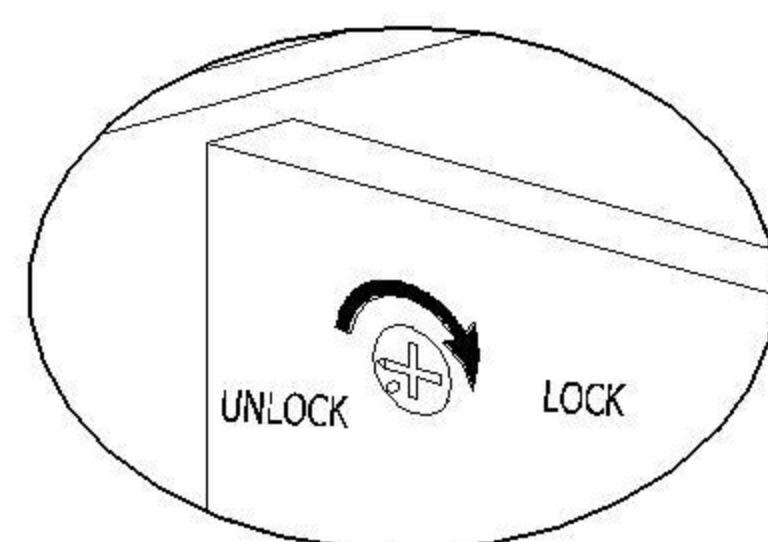
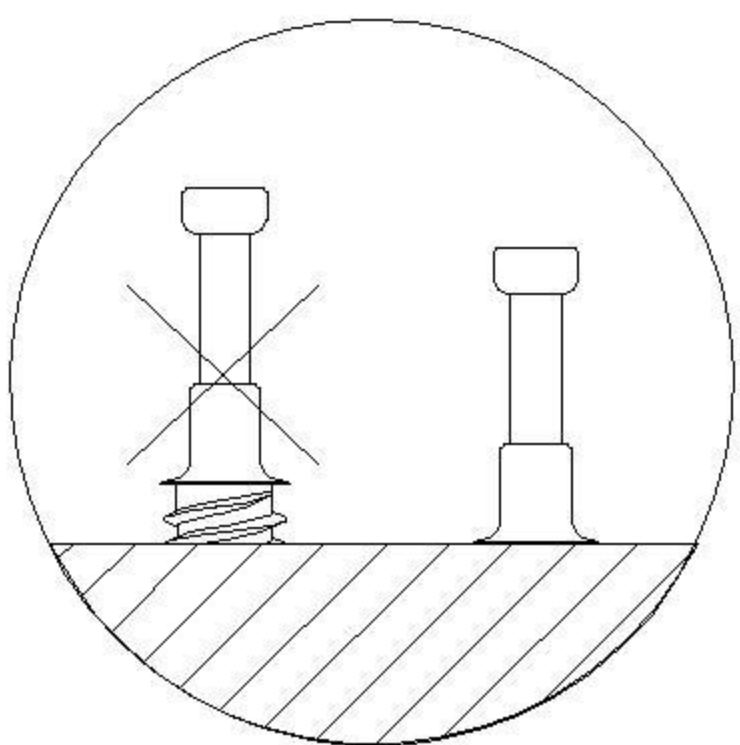
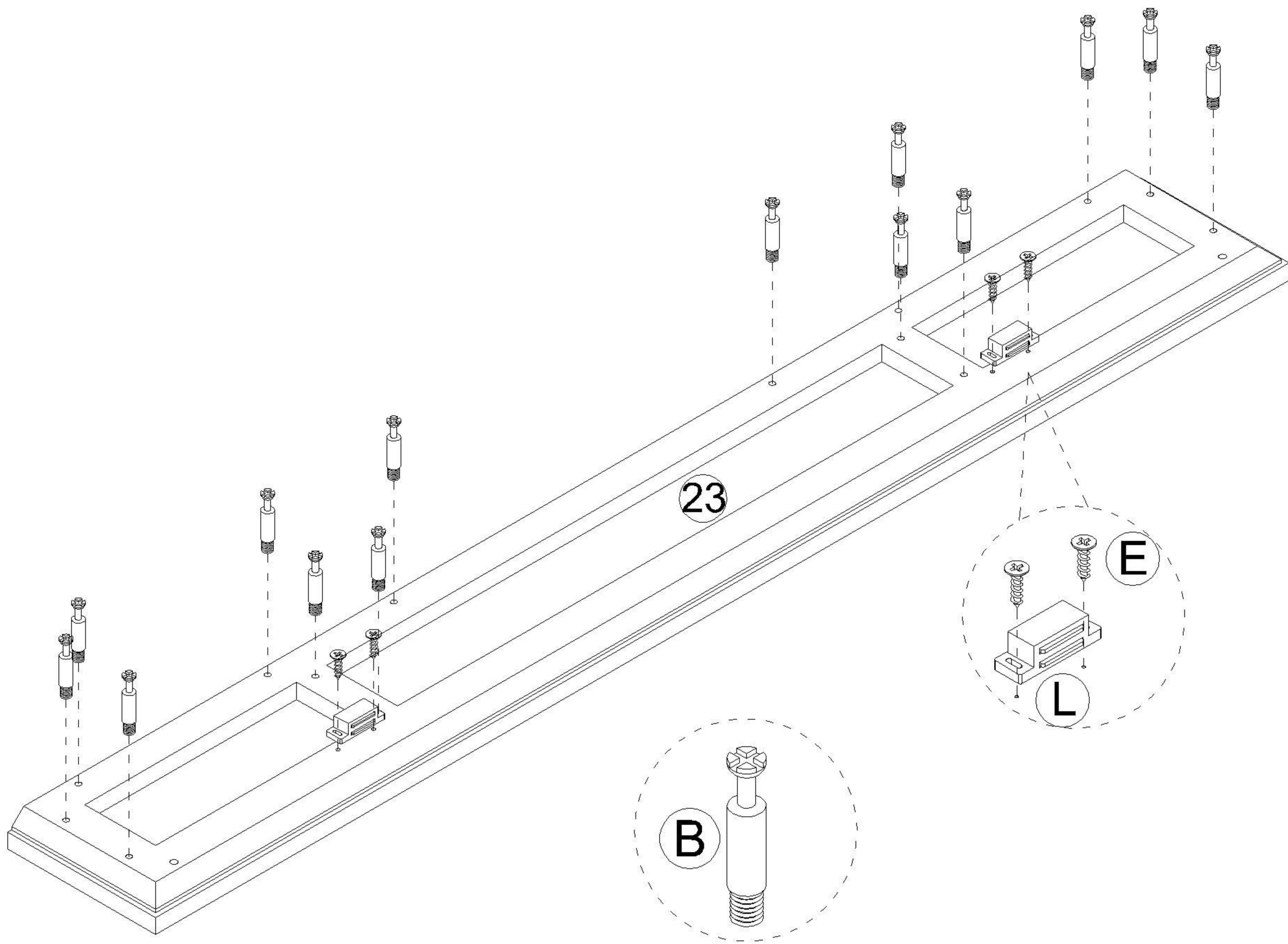
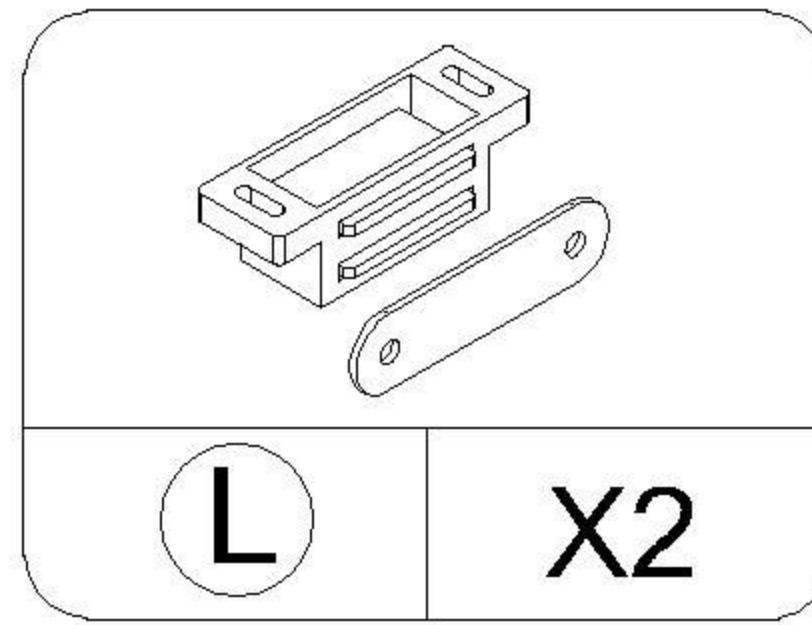
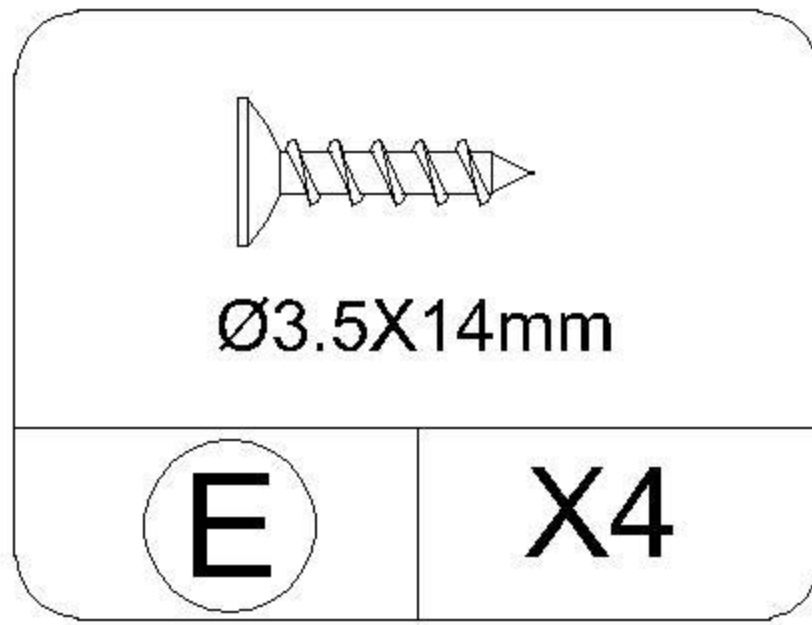
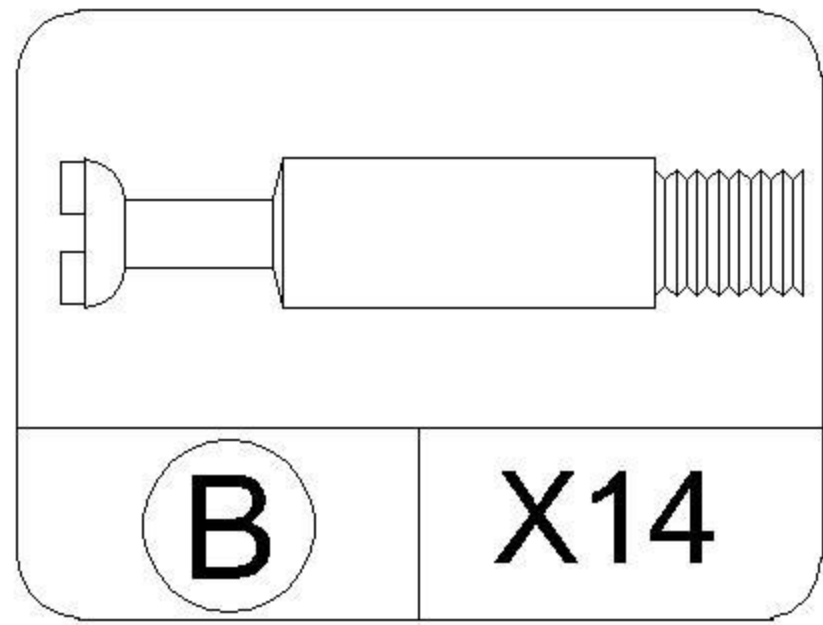
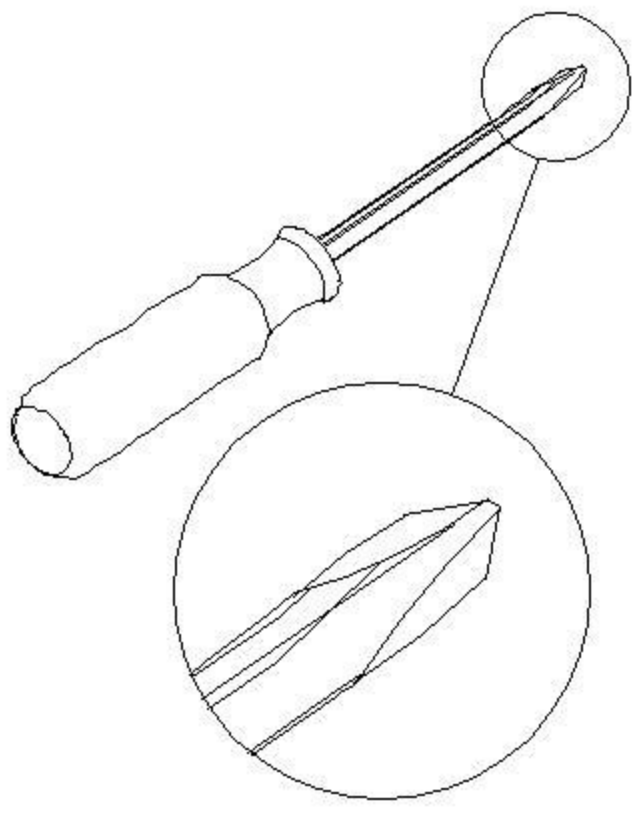


X 2



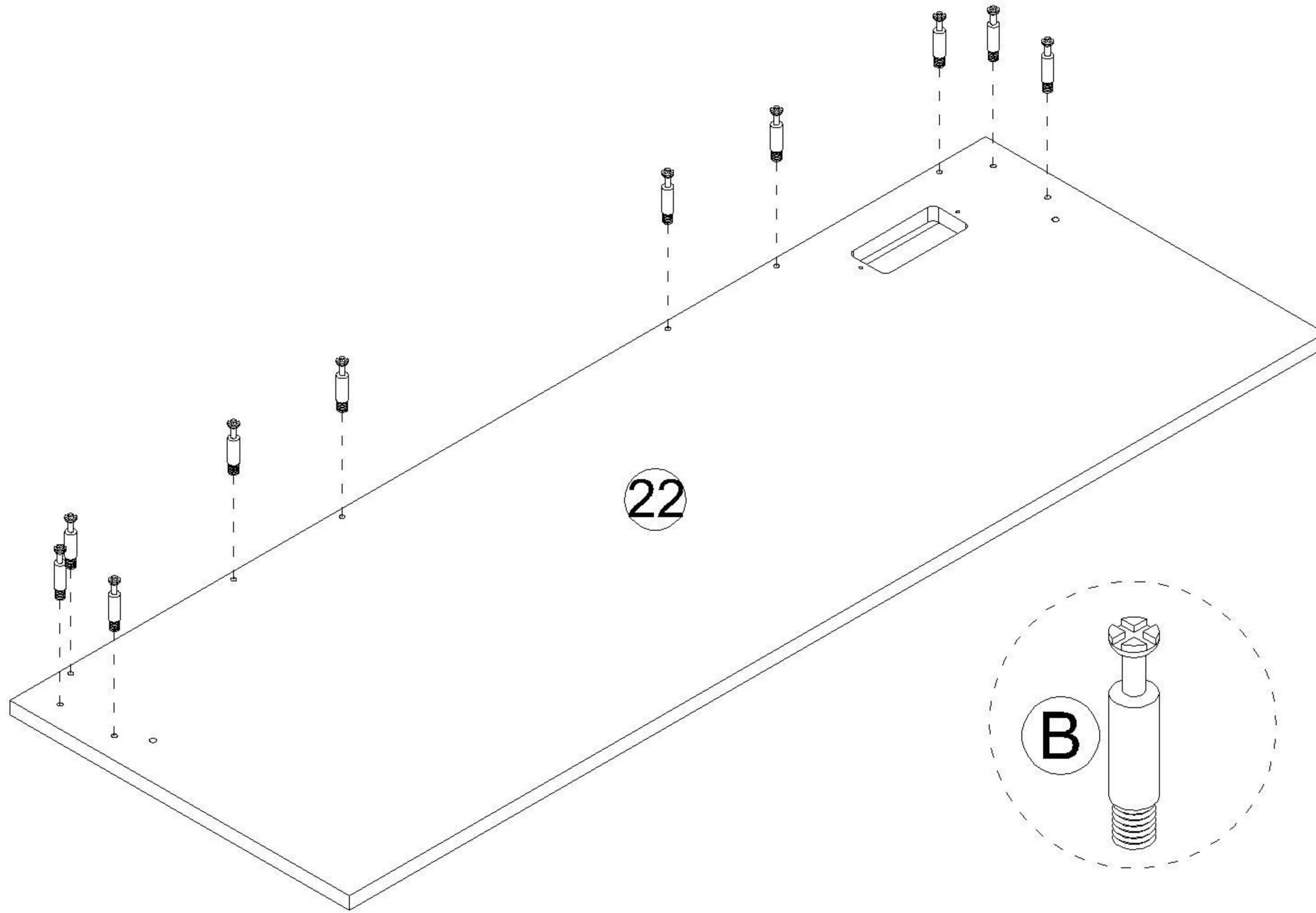
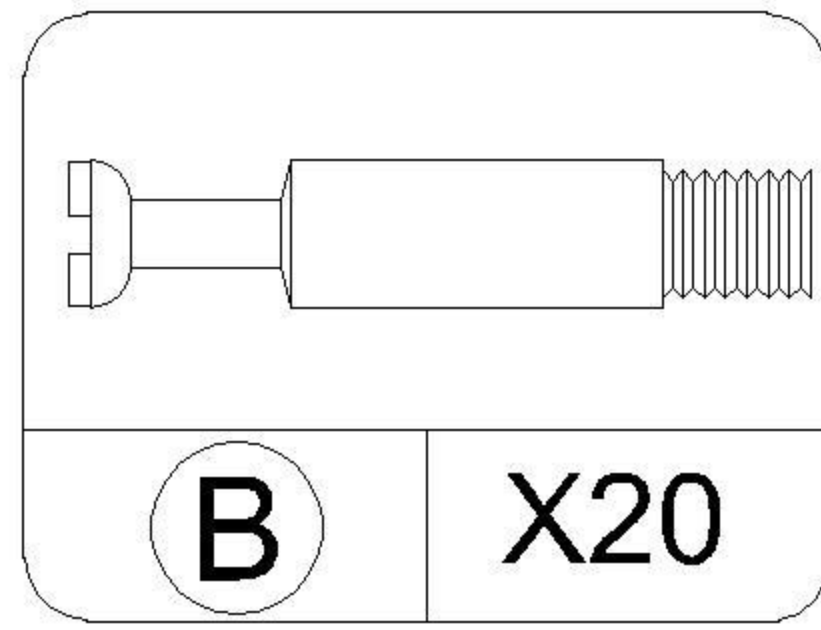
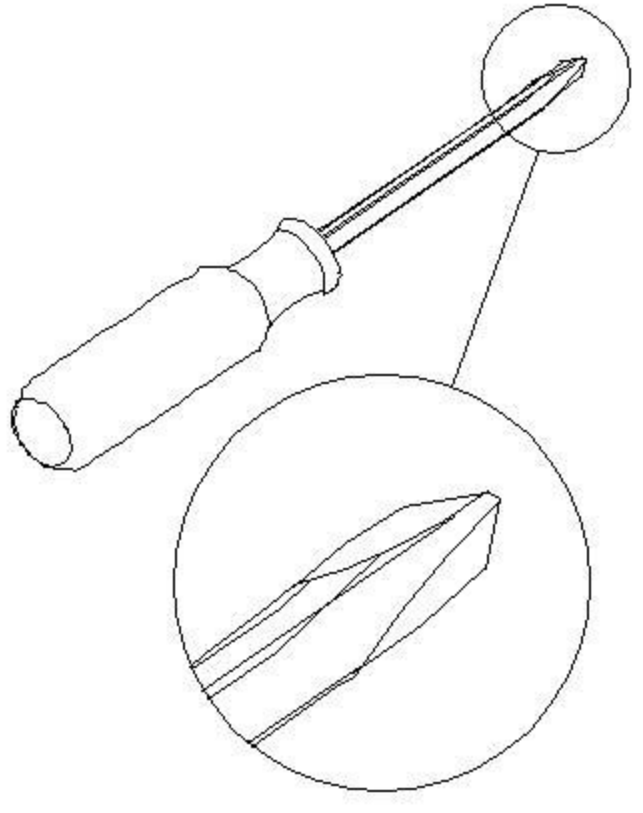
Proper orientation of CAM LOCK

STEP 24

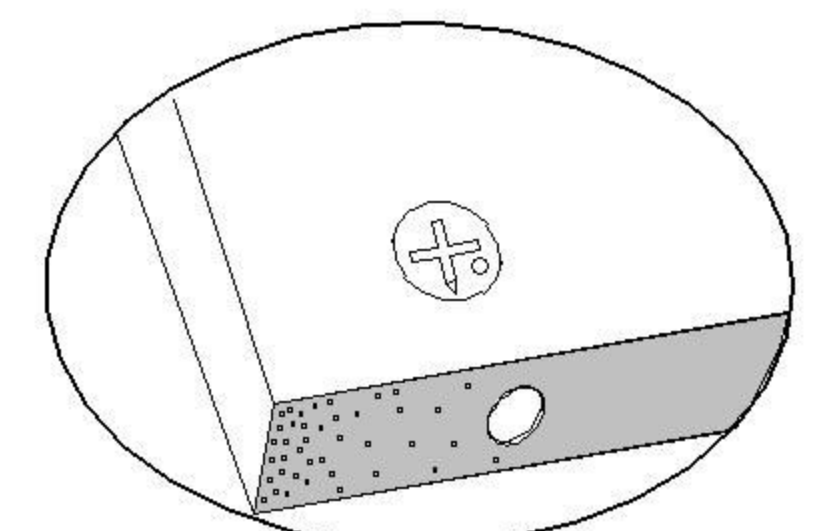
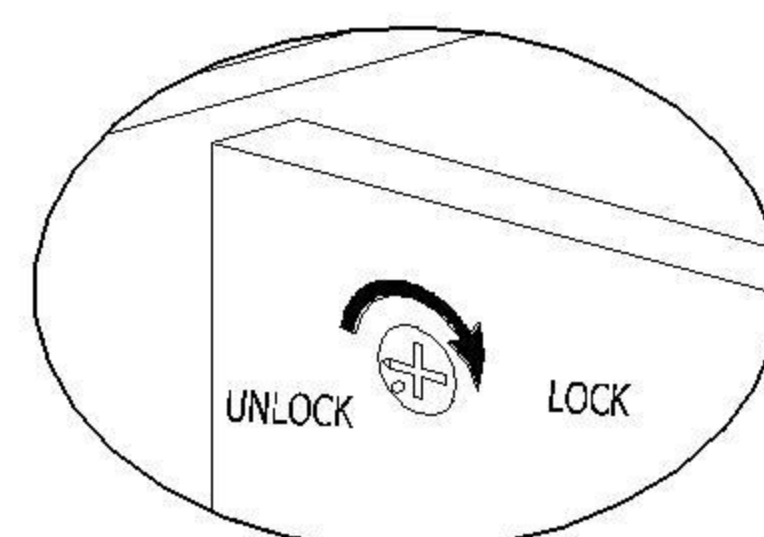
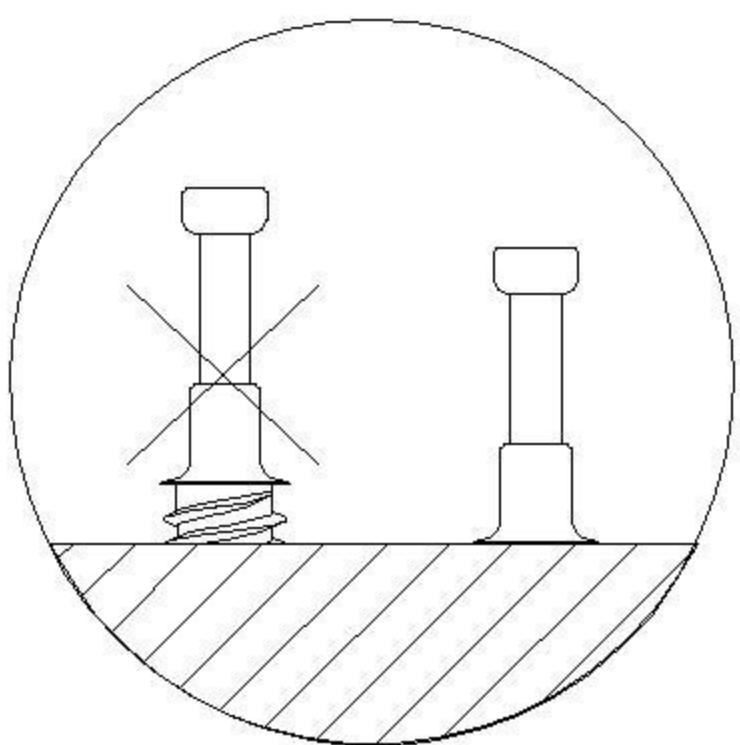
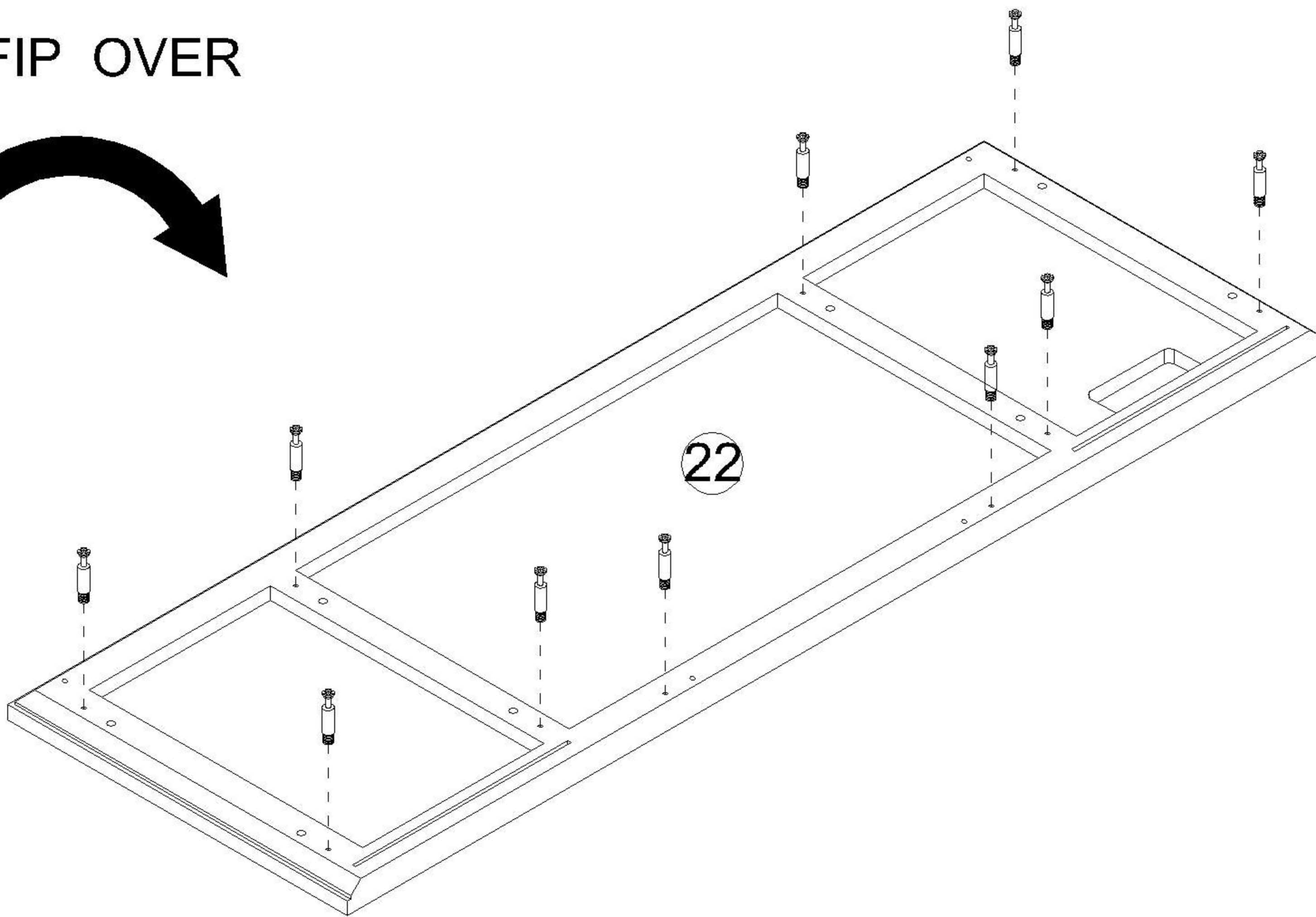
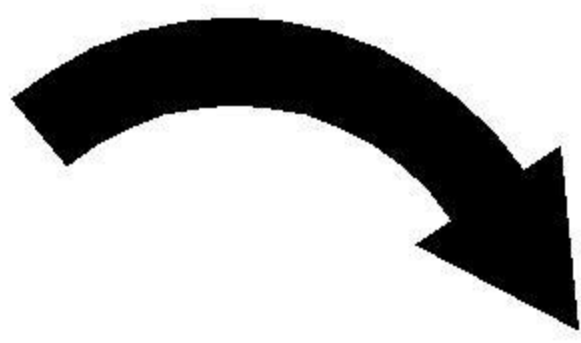


Proper orientation of CAM LOCK

STEP 25

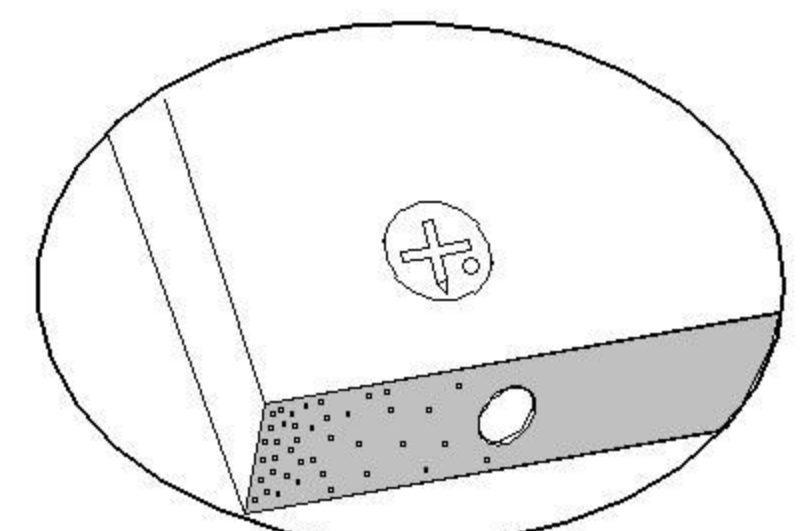
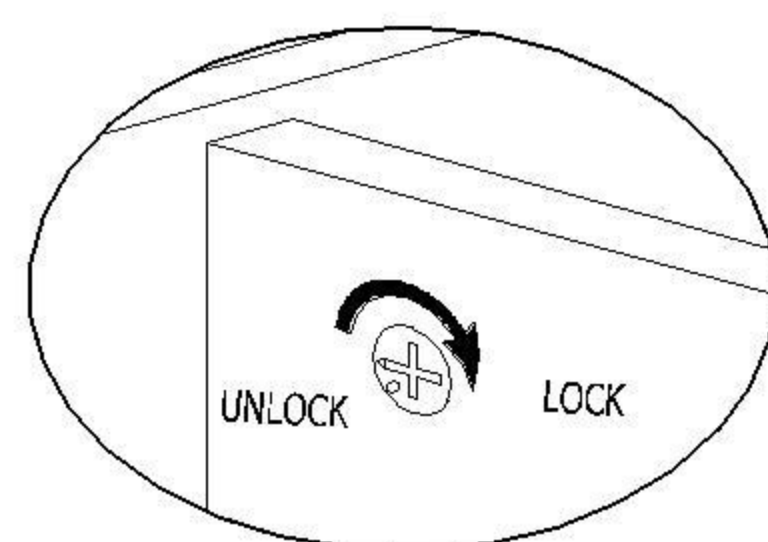
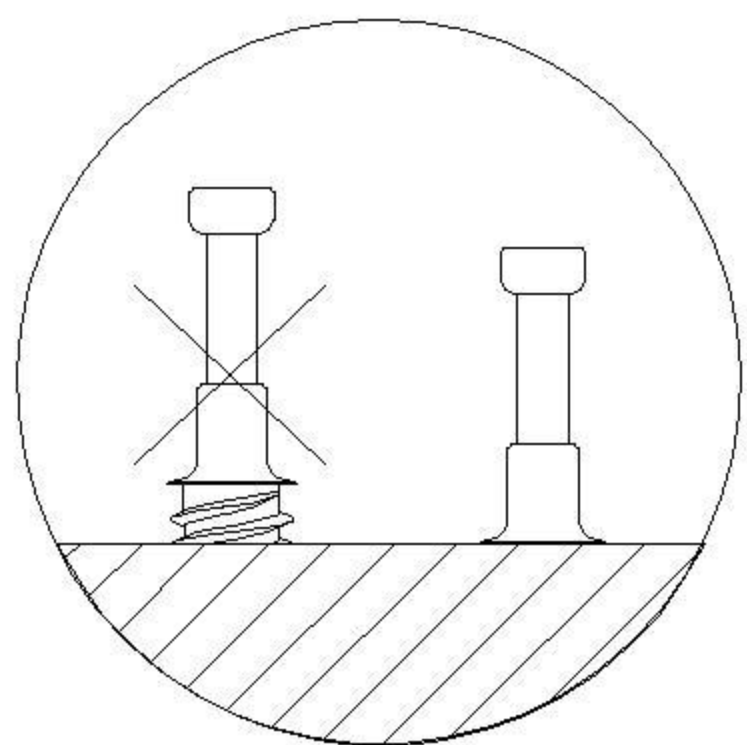
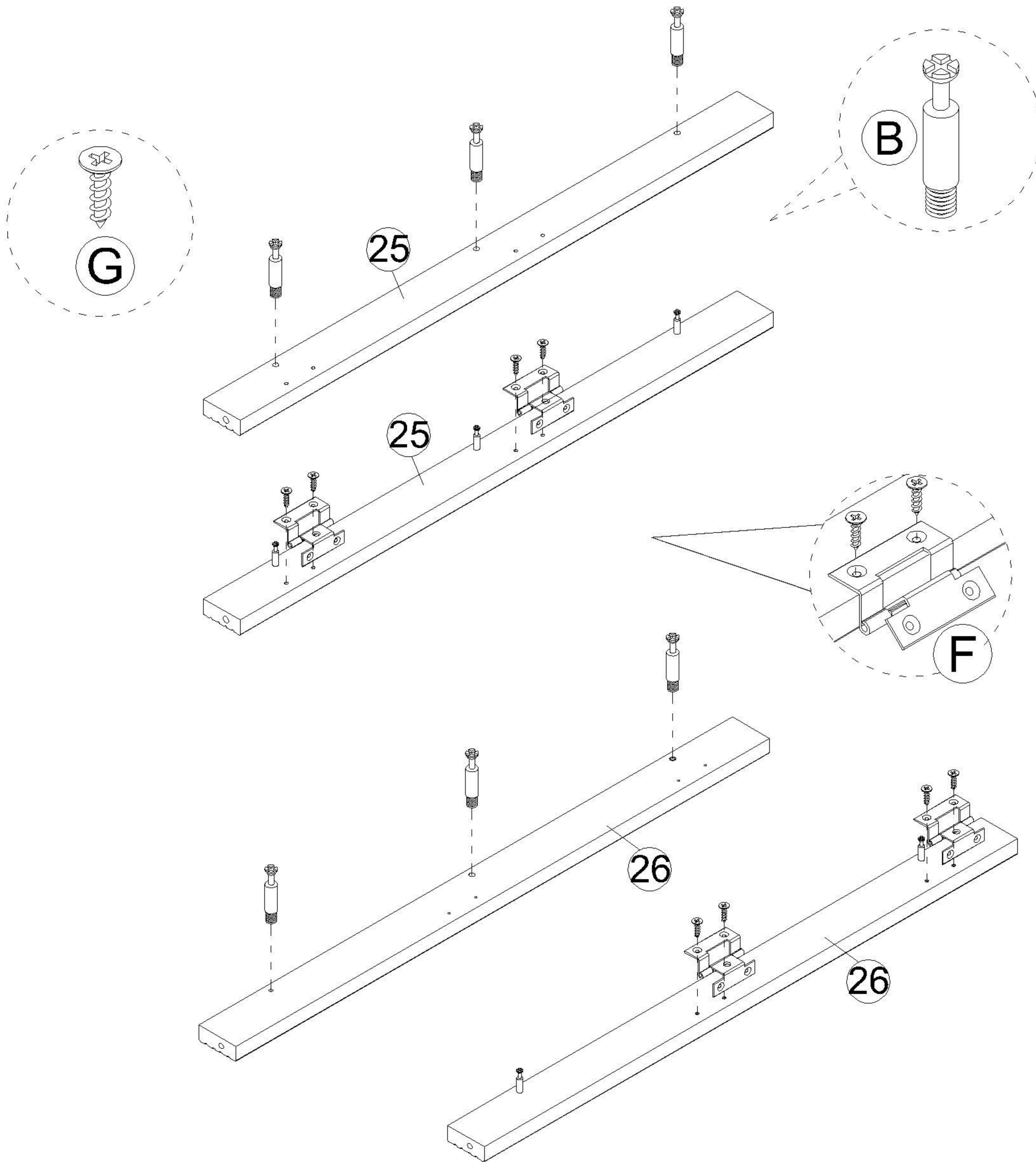
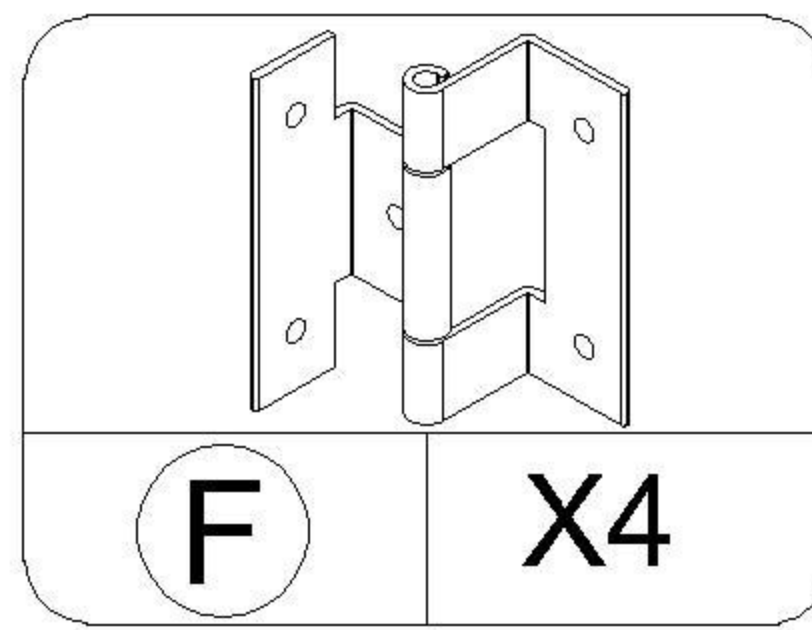
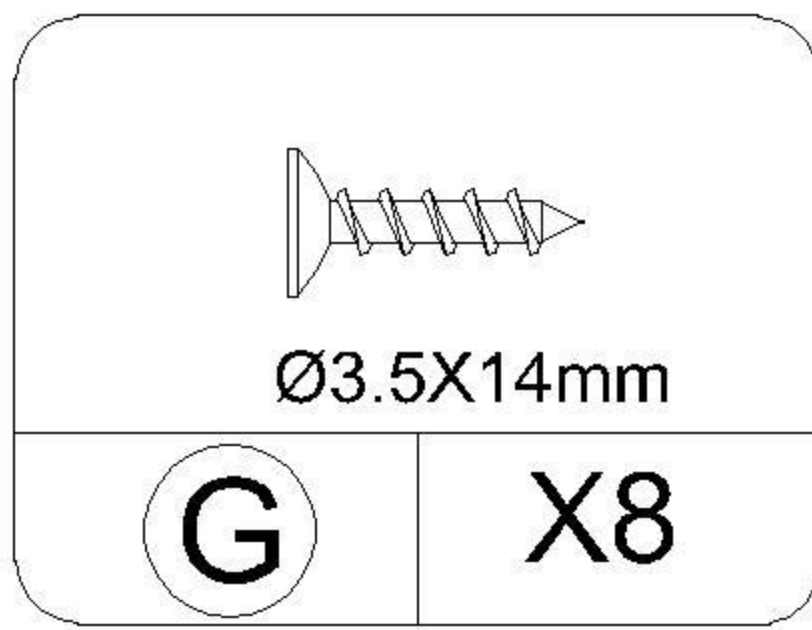
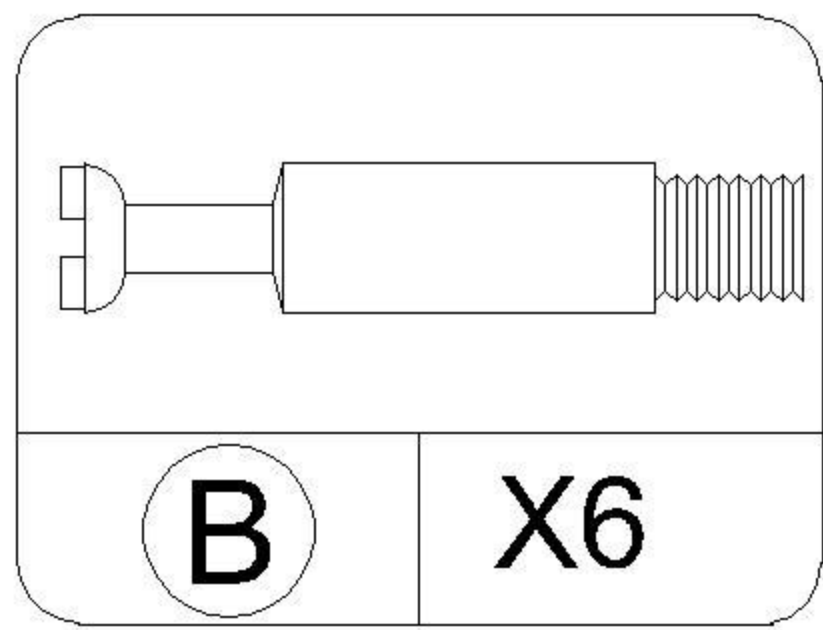
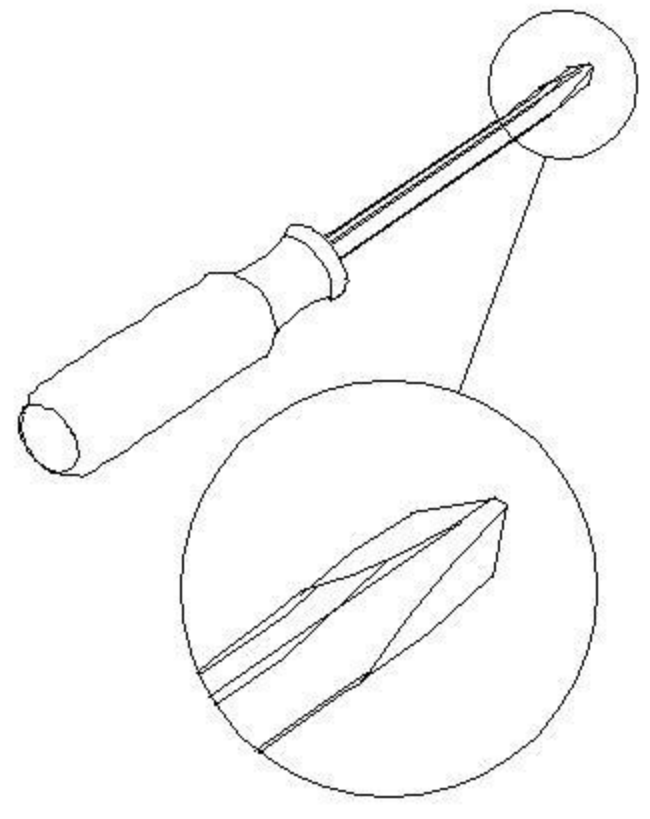


LFIP OVER



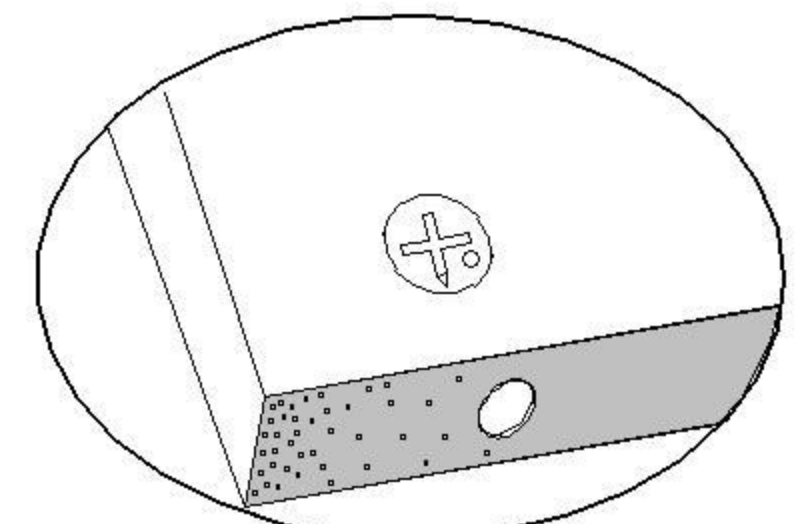
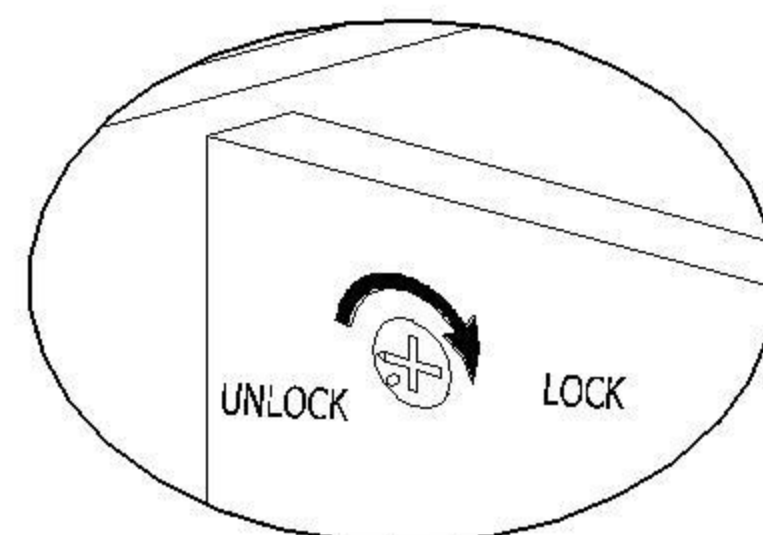
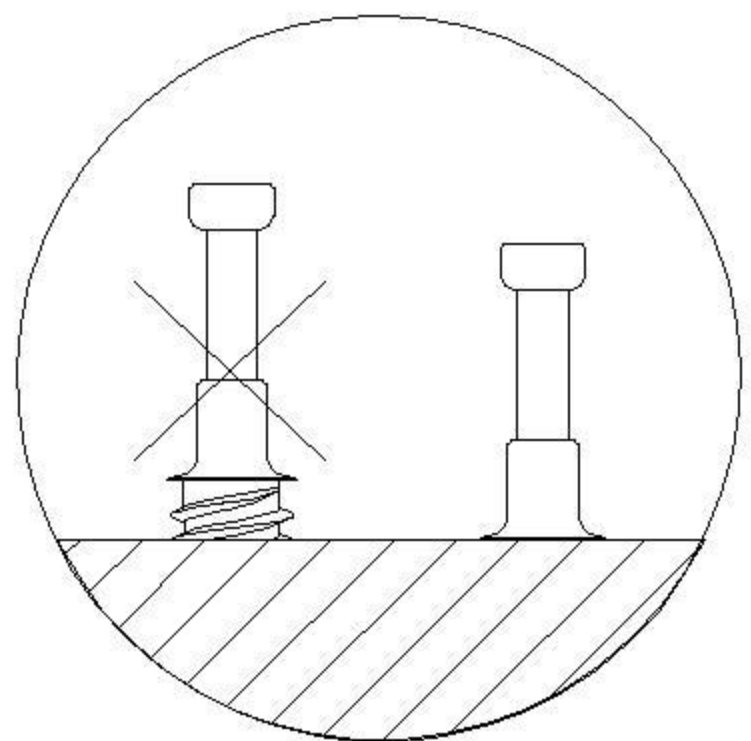
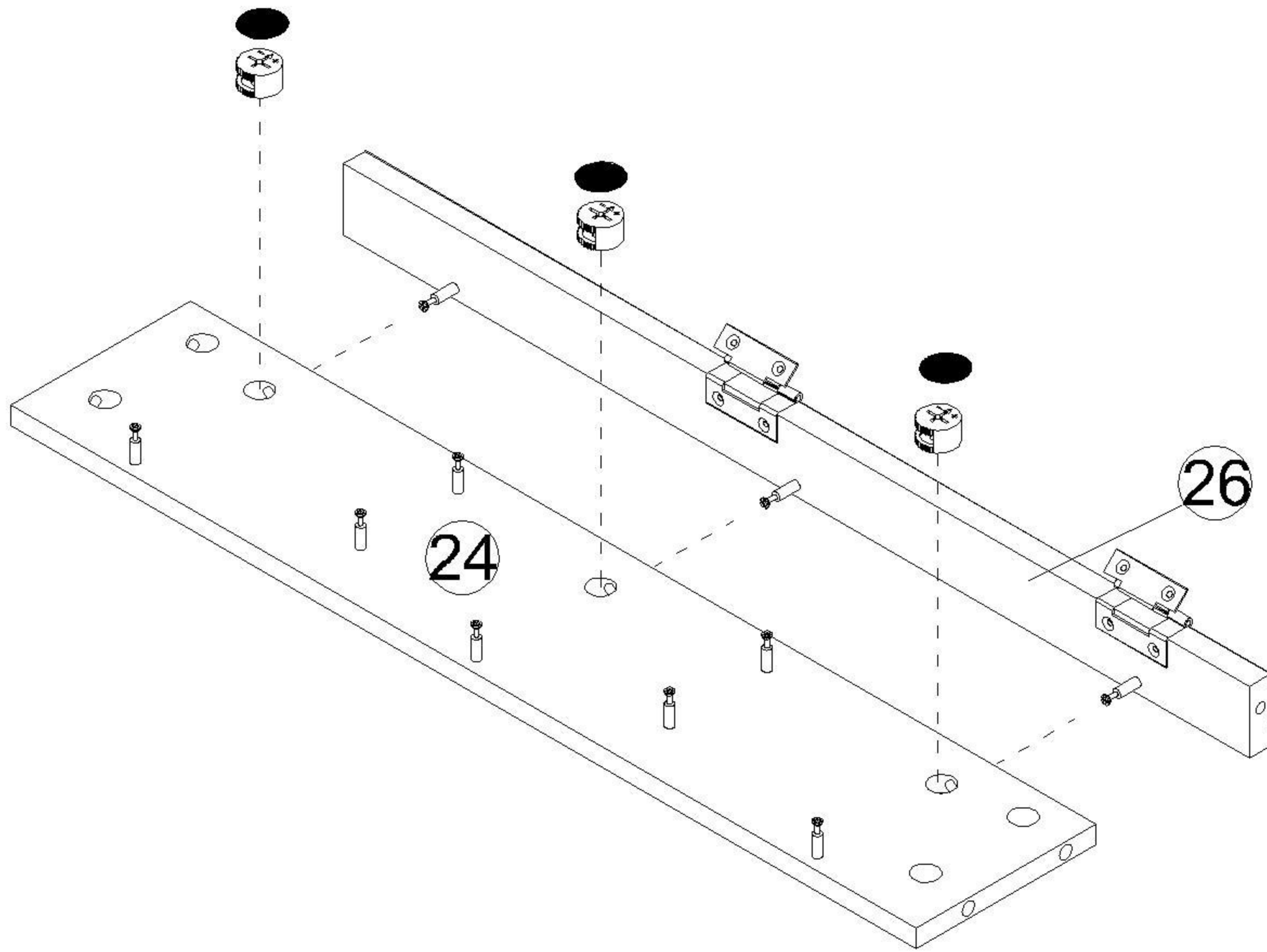
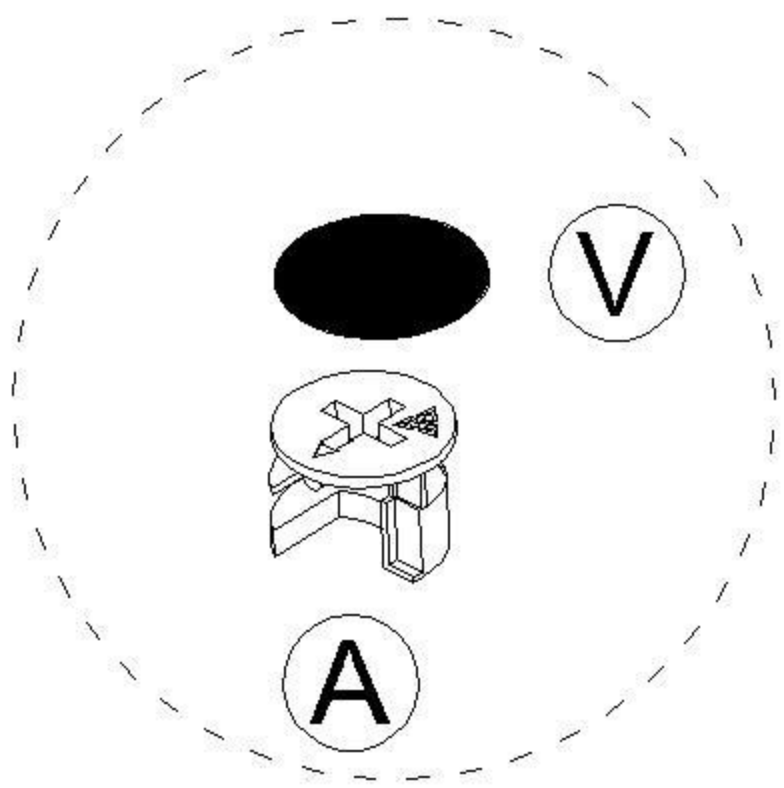
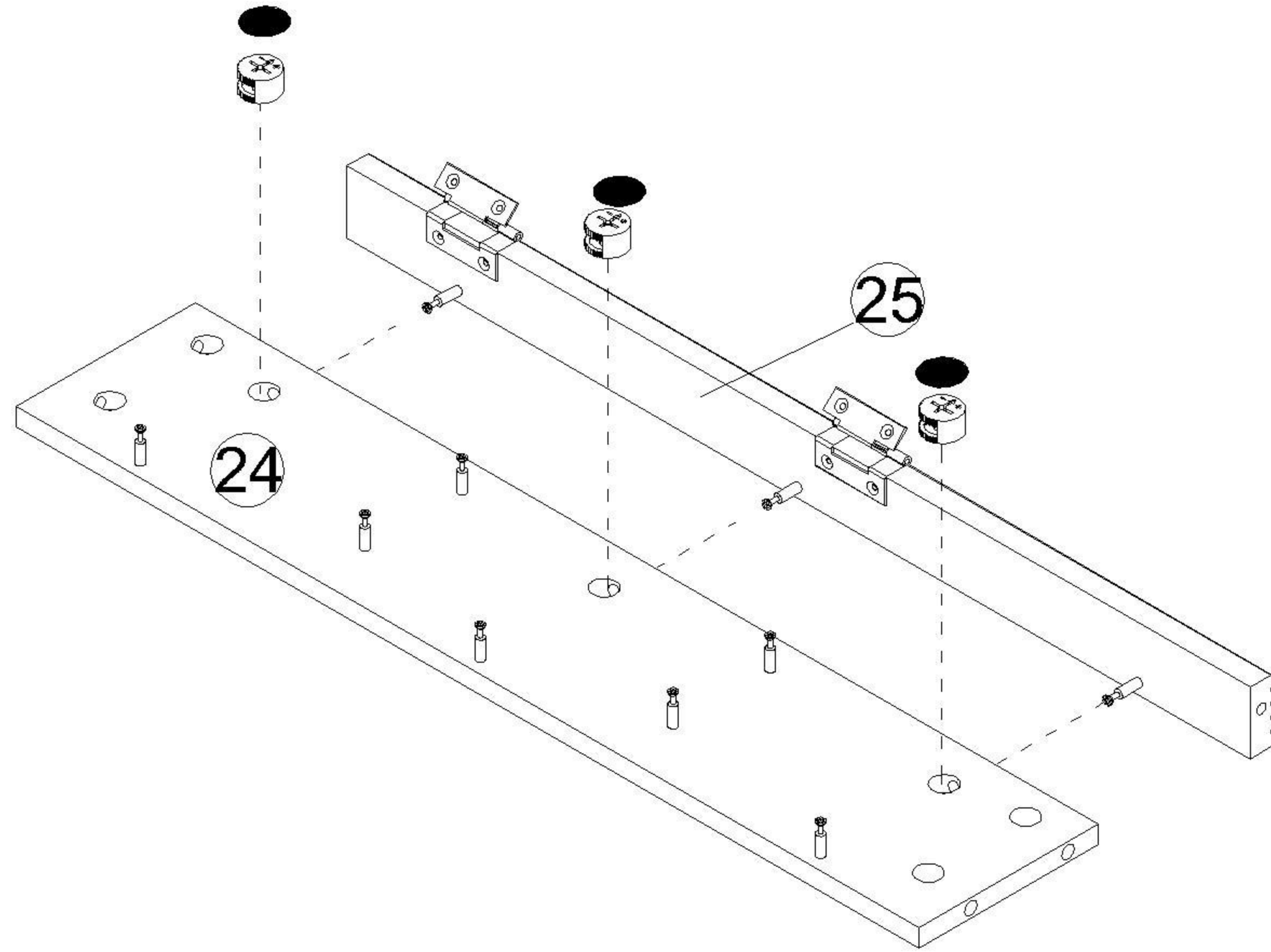
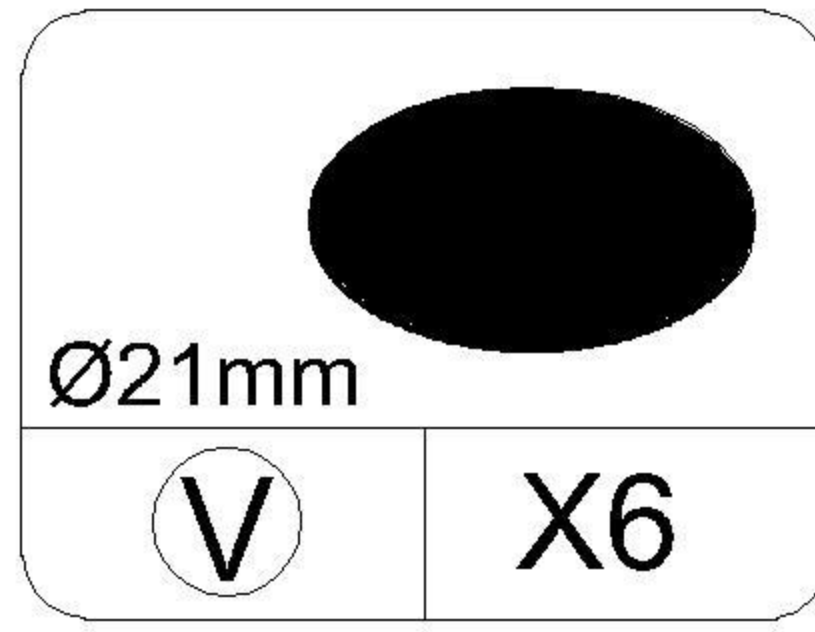
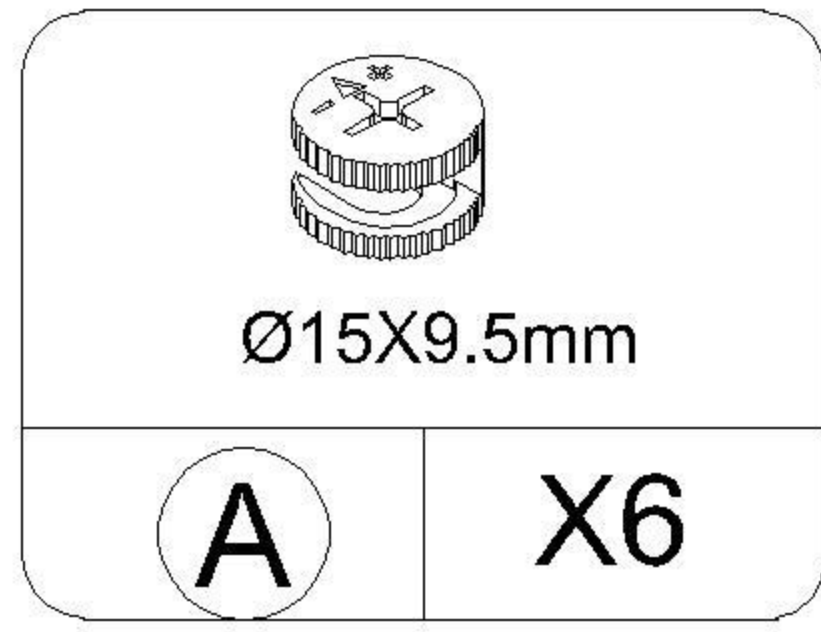
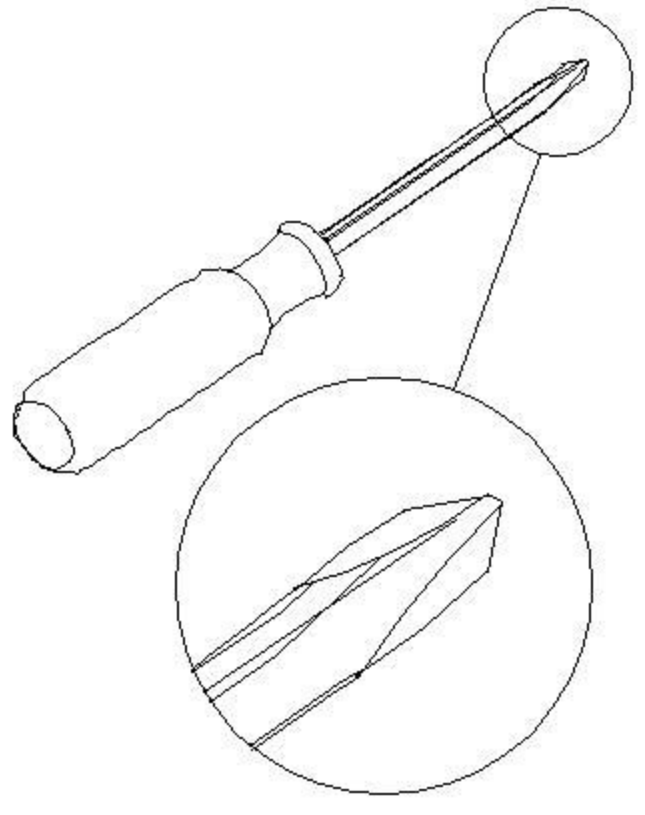
Proper orientation of CAM LOCK

STEP 26



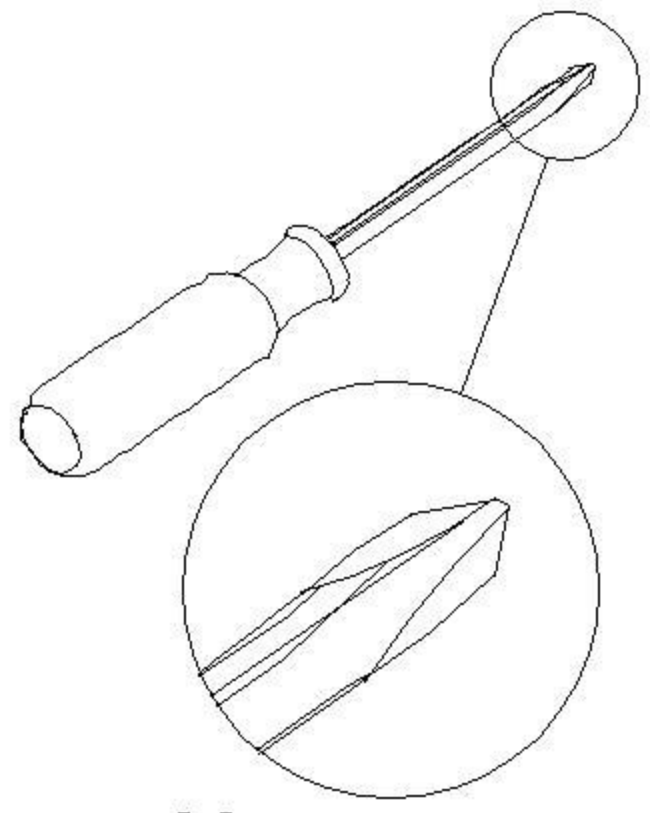
Proper orientation of CAM LOCK

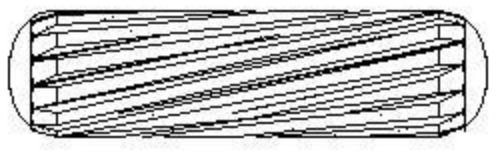
STEP 27

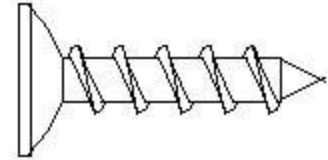


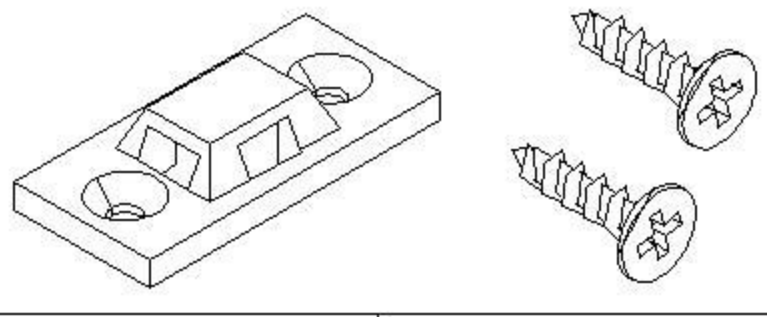
Proper orientation of CAM LOCK

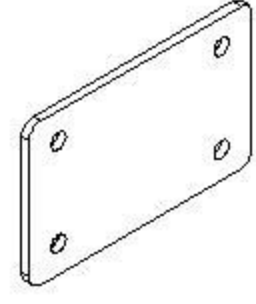
STEP 28

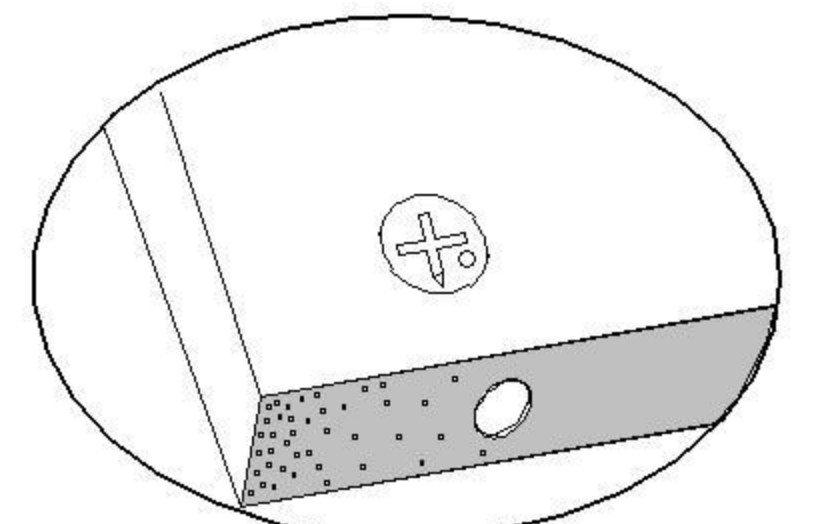
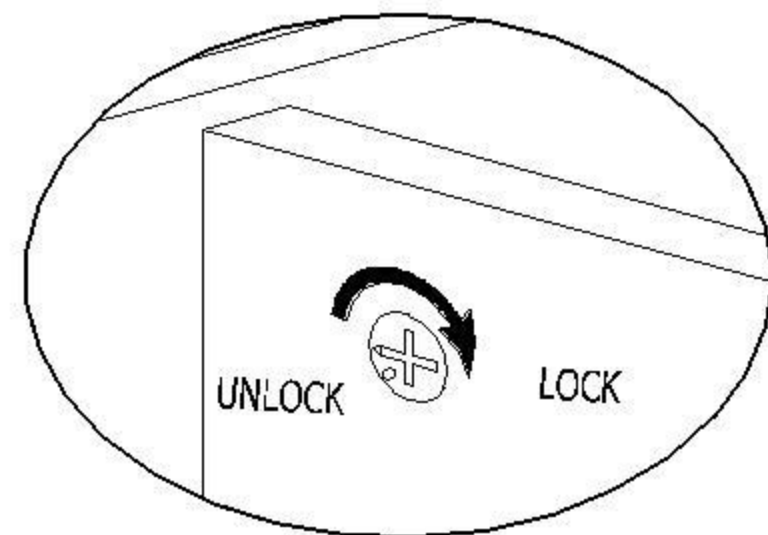
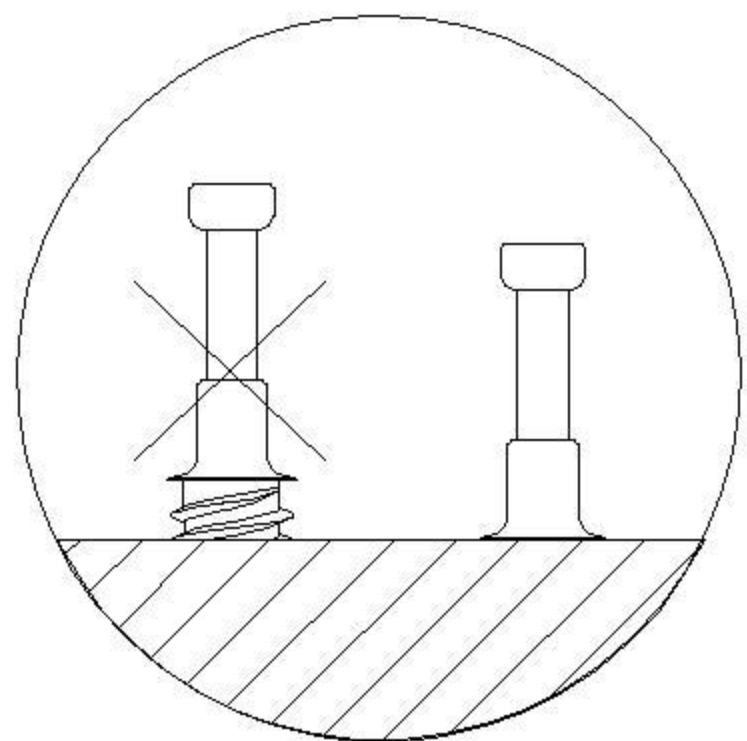
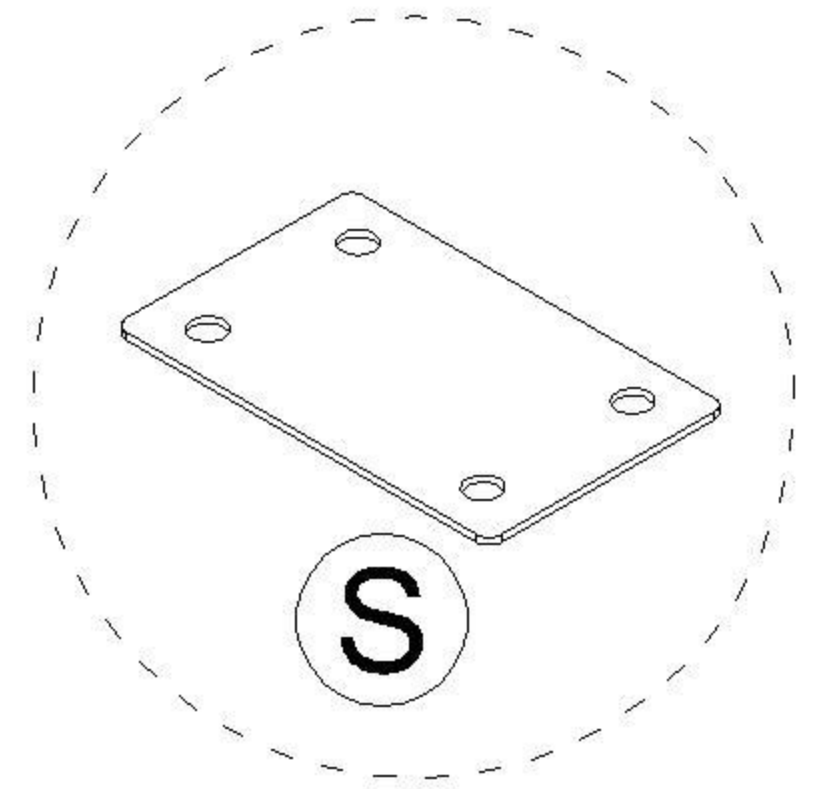
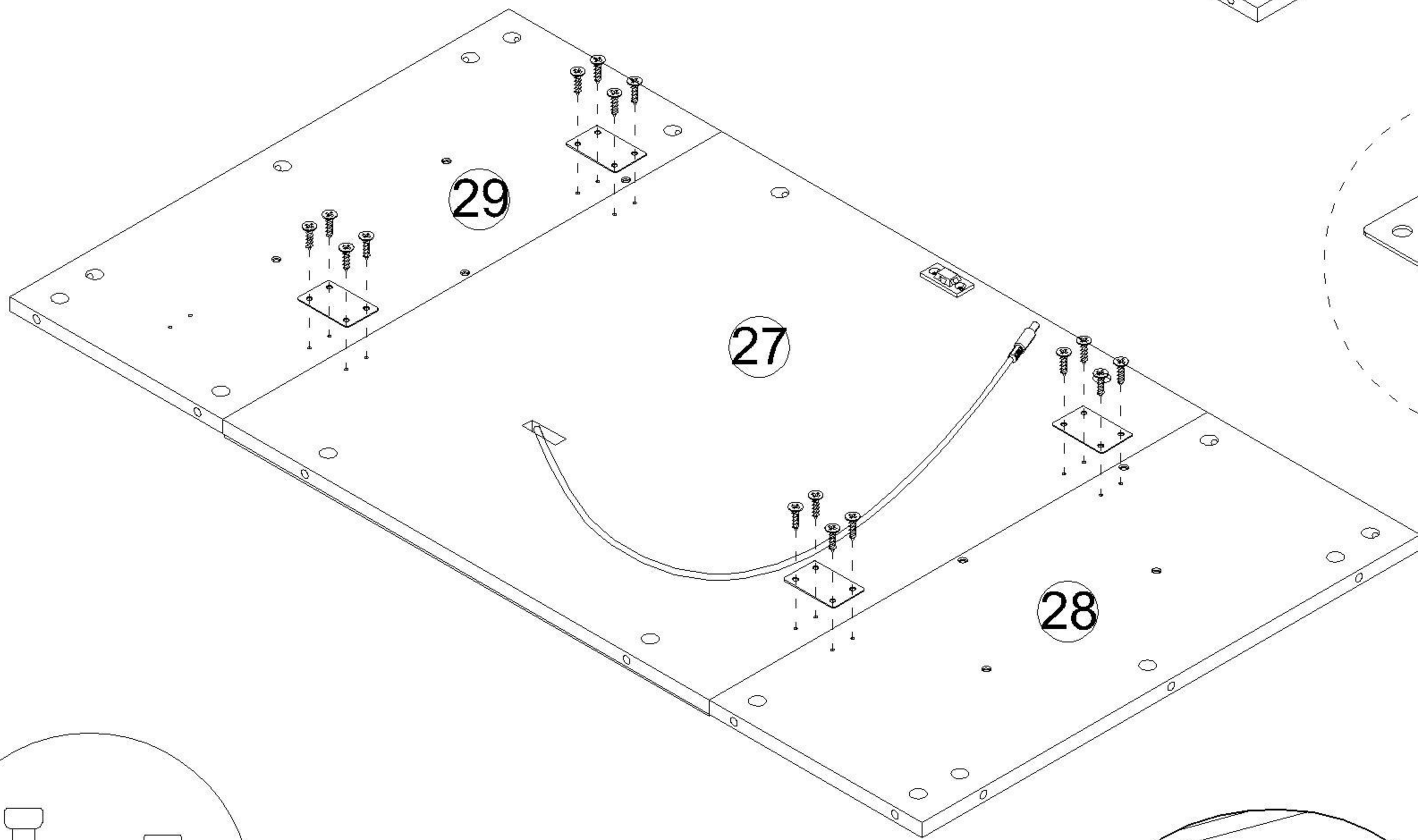
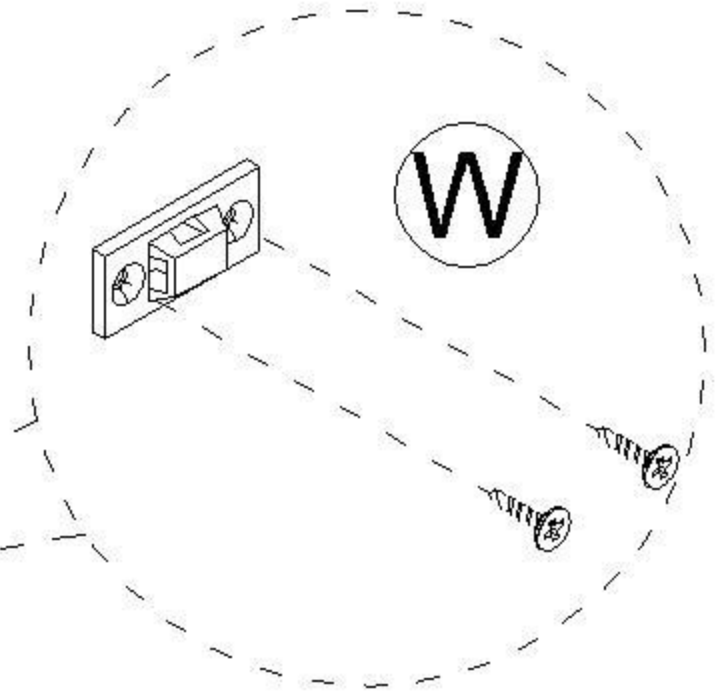
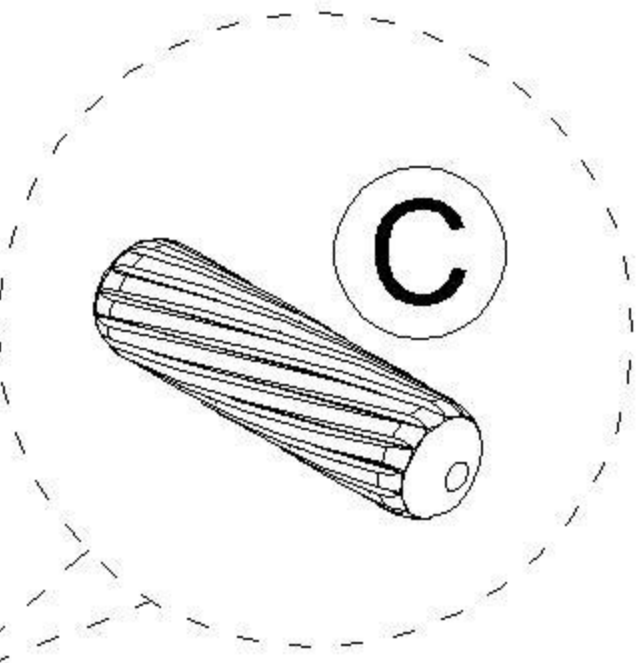
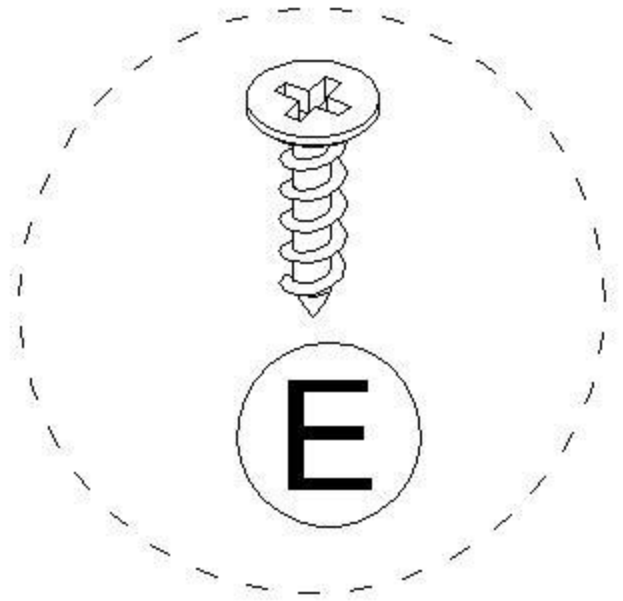
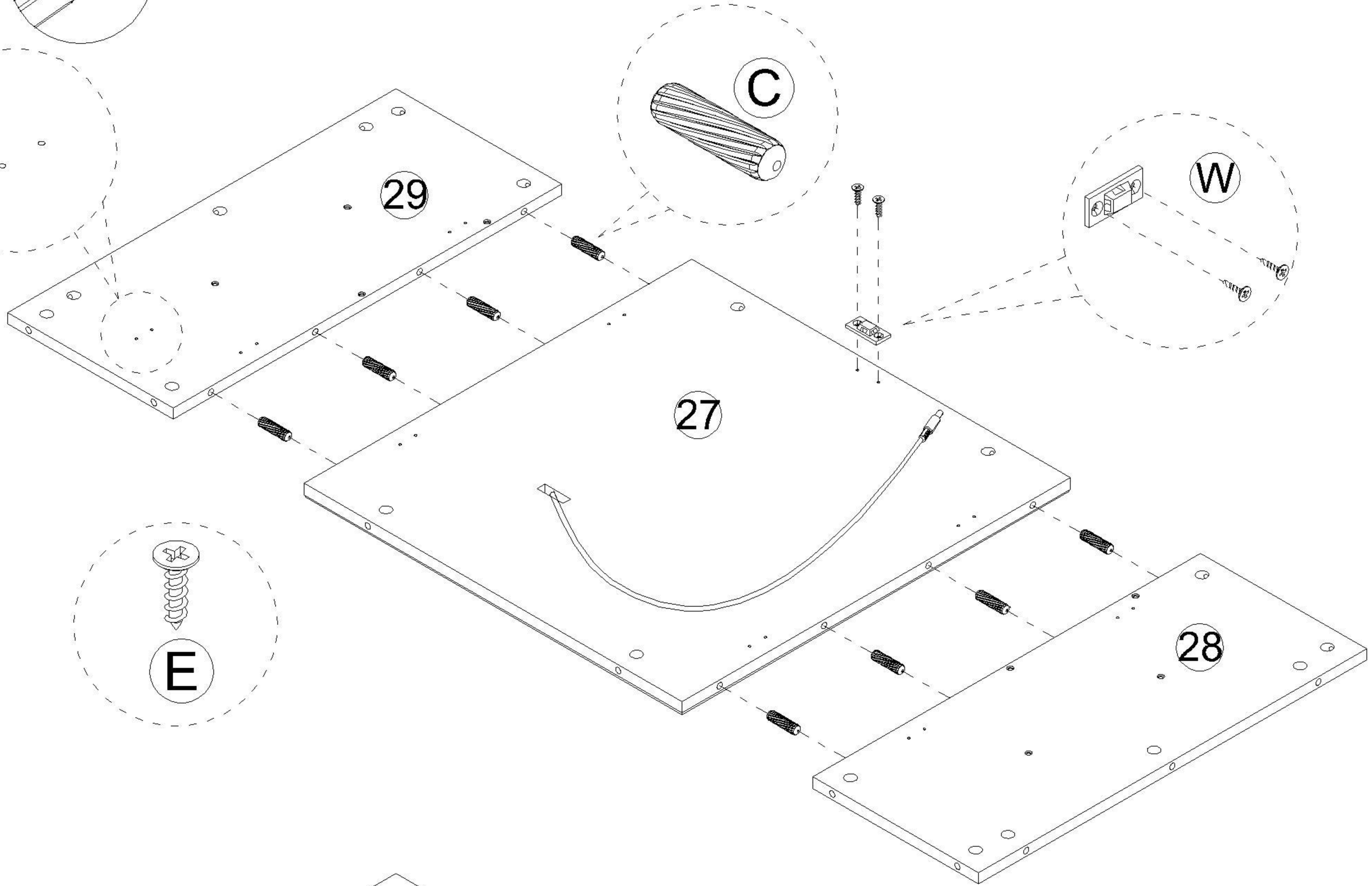


	
Ø8X30mm	
C	X8

	
Ø3.5X14mm	
E	X16

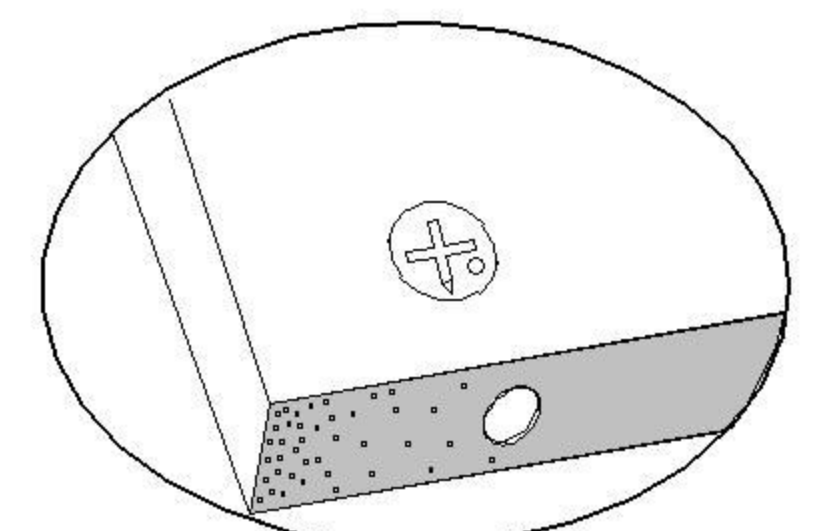
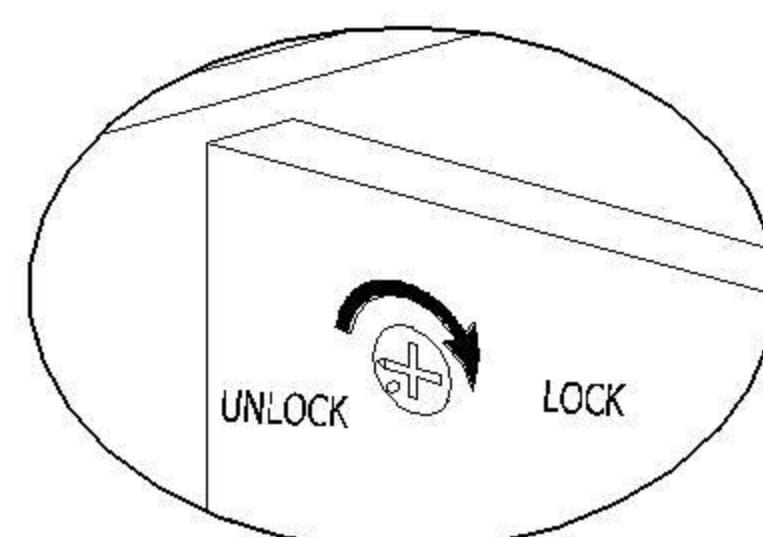
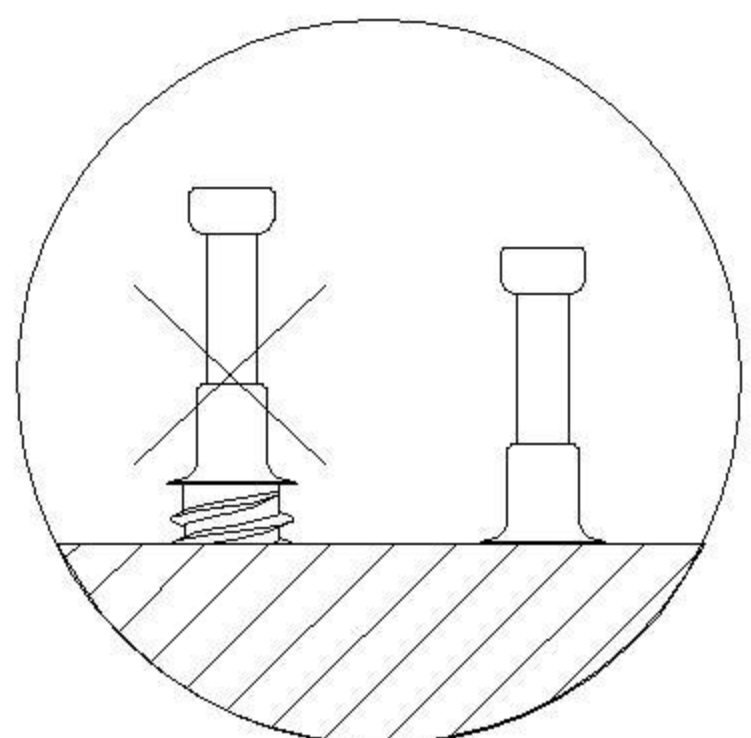
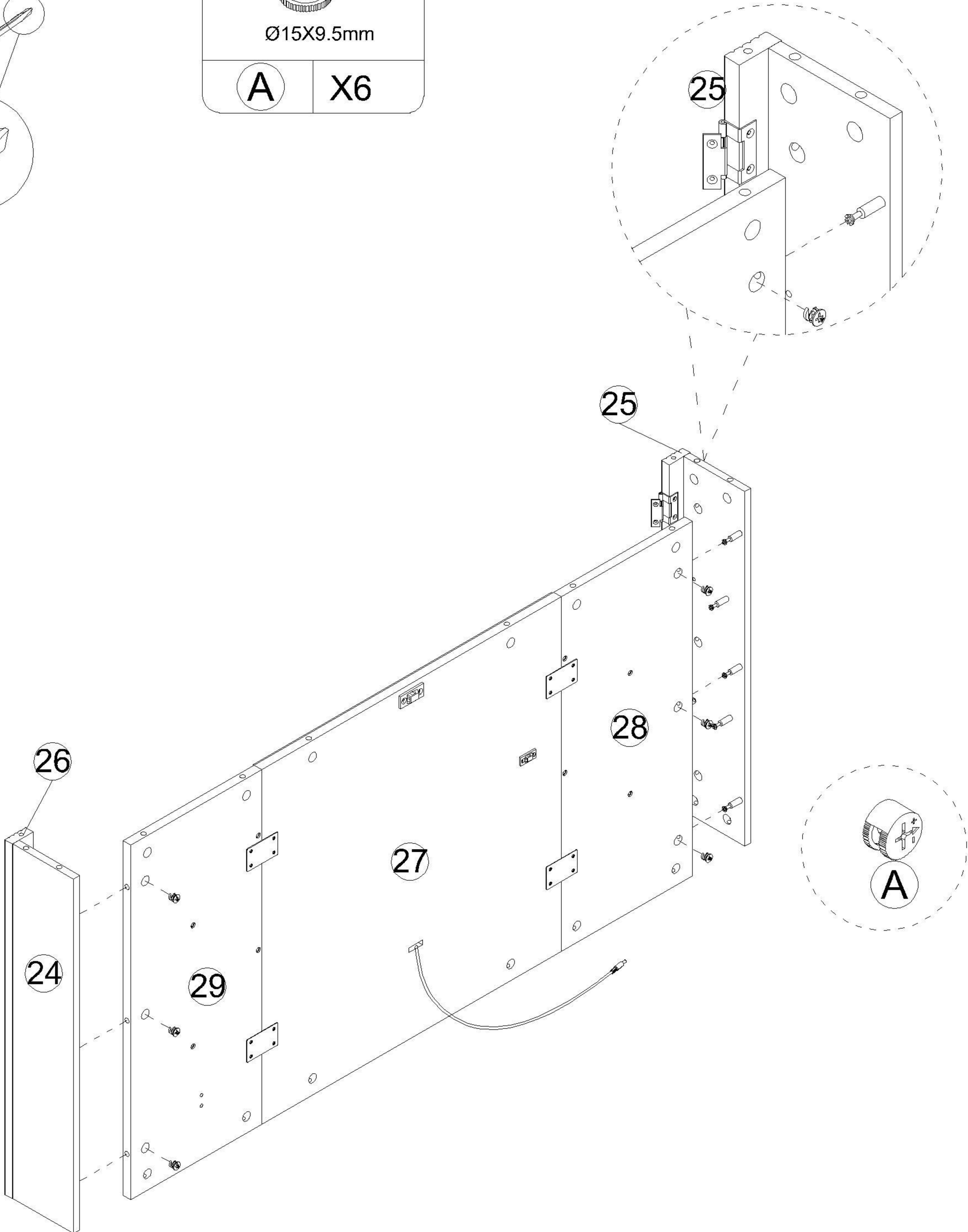
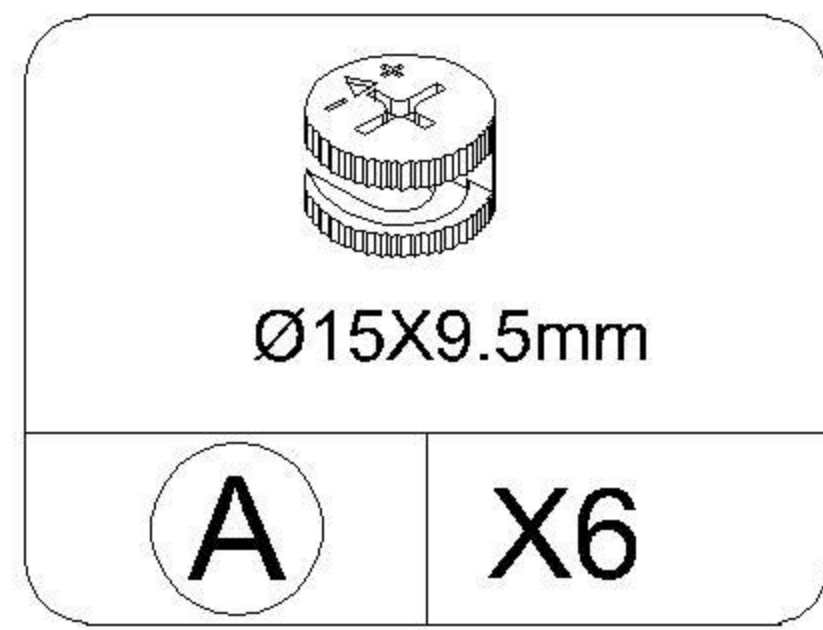
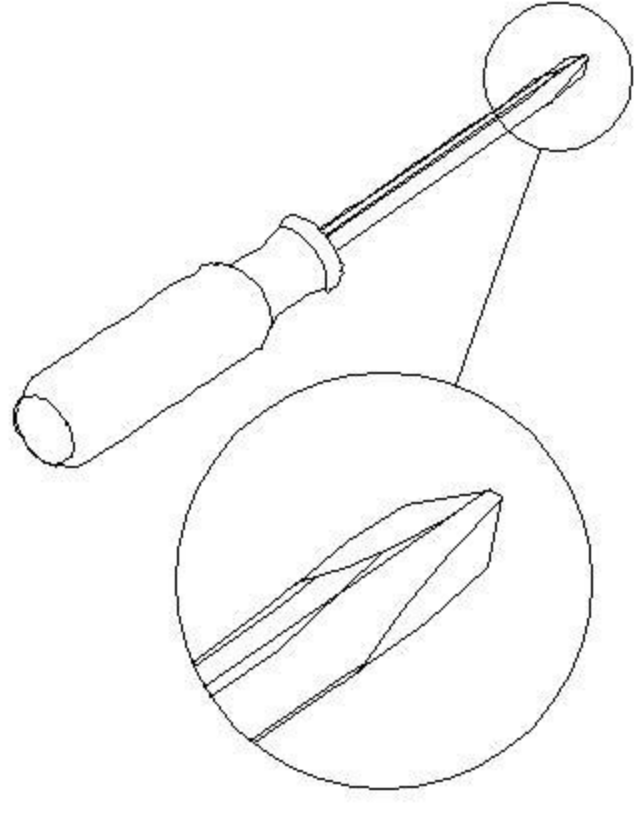
SCREW: Ø3.5X14mm	
	
W	X1 set

	
60X38mm	
S	X4



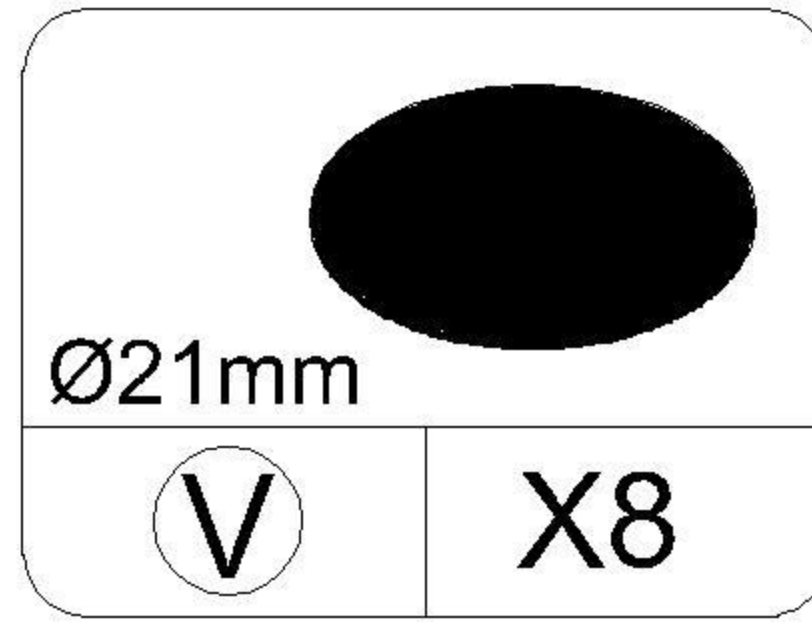
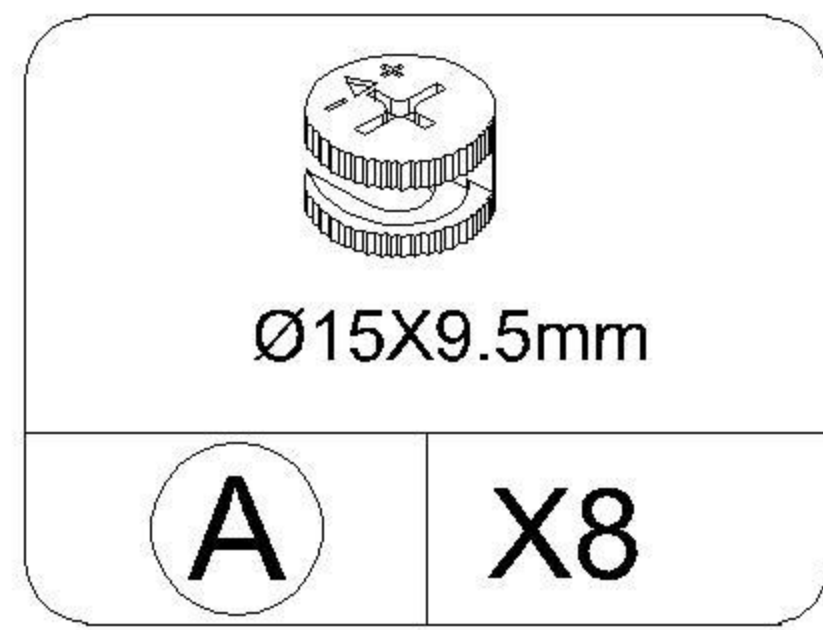
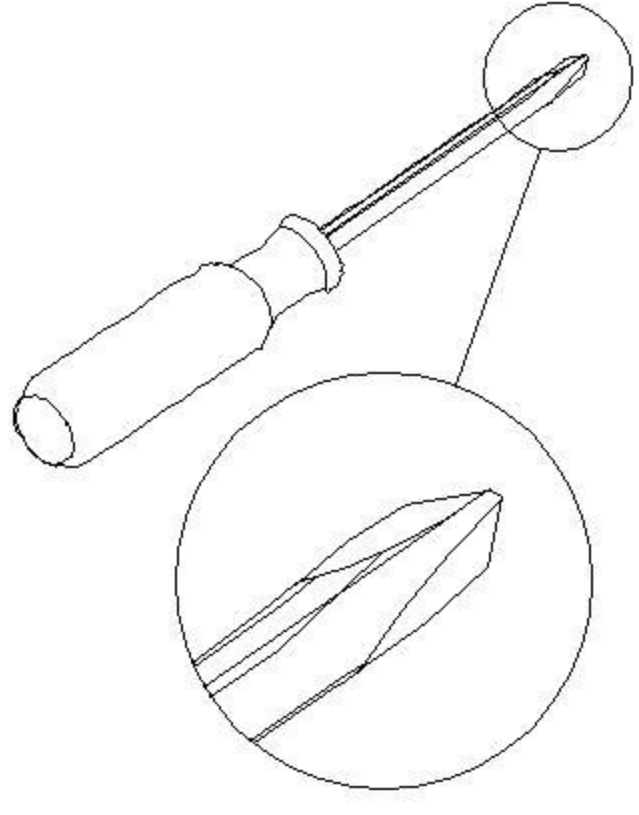
Proper orientation of CAM LOCK

STEP 29

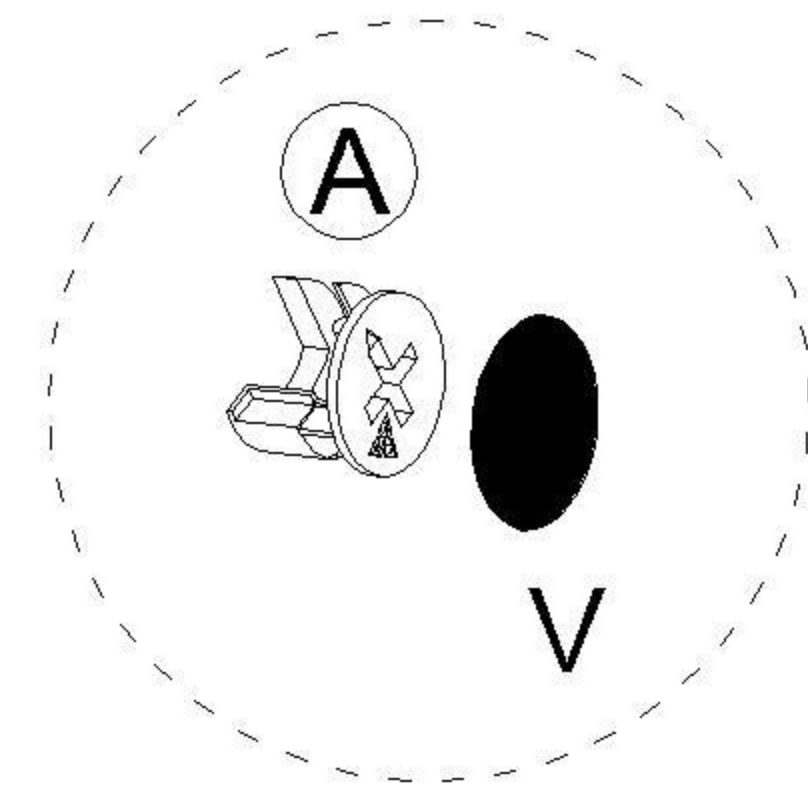
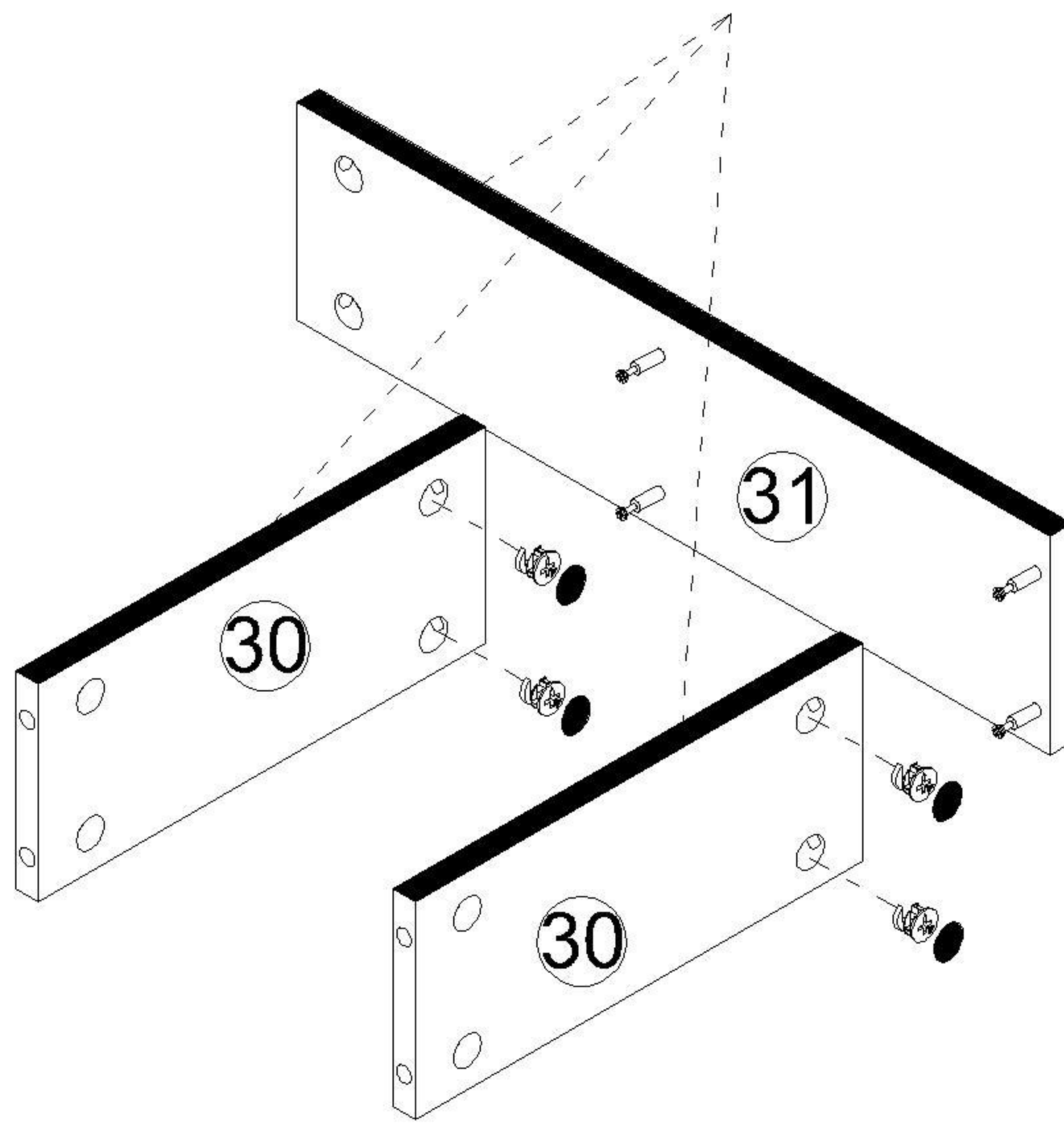


Proper orientation of CAM LOCK

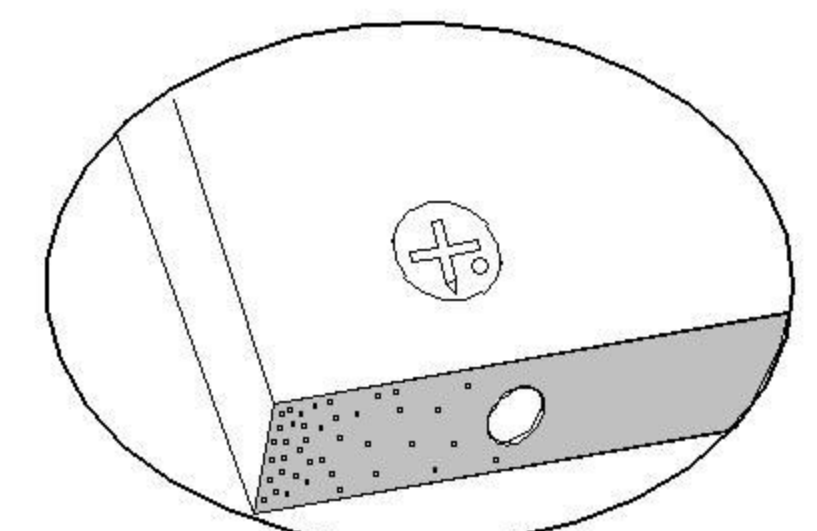
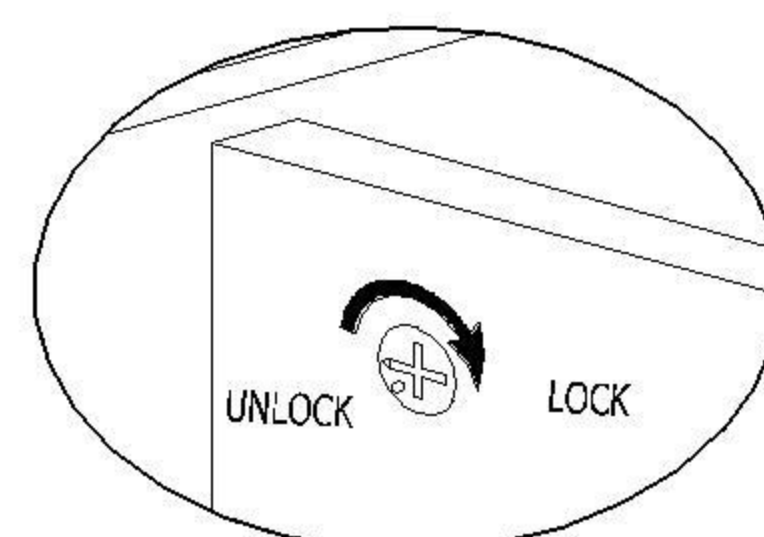
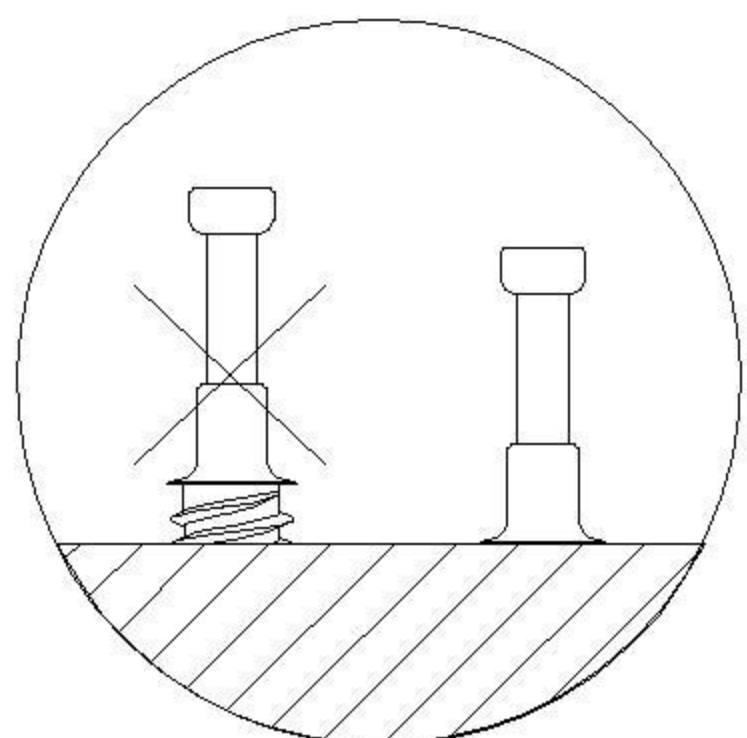
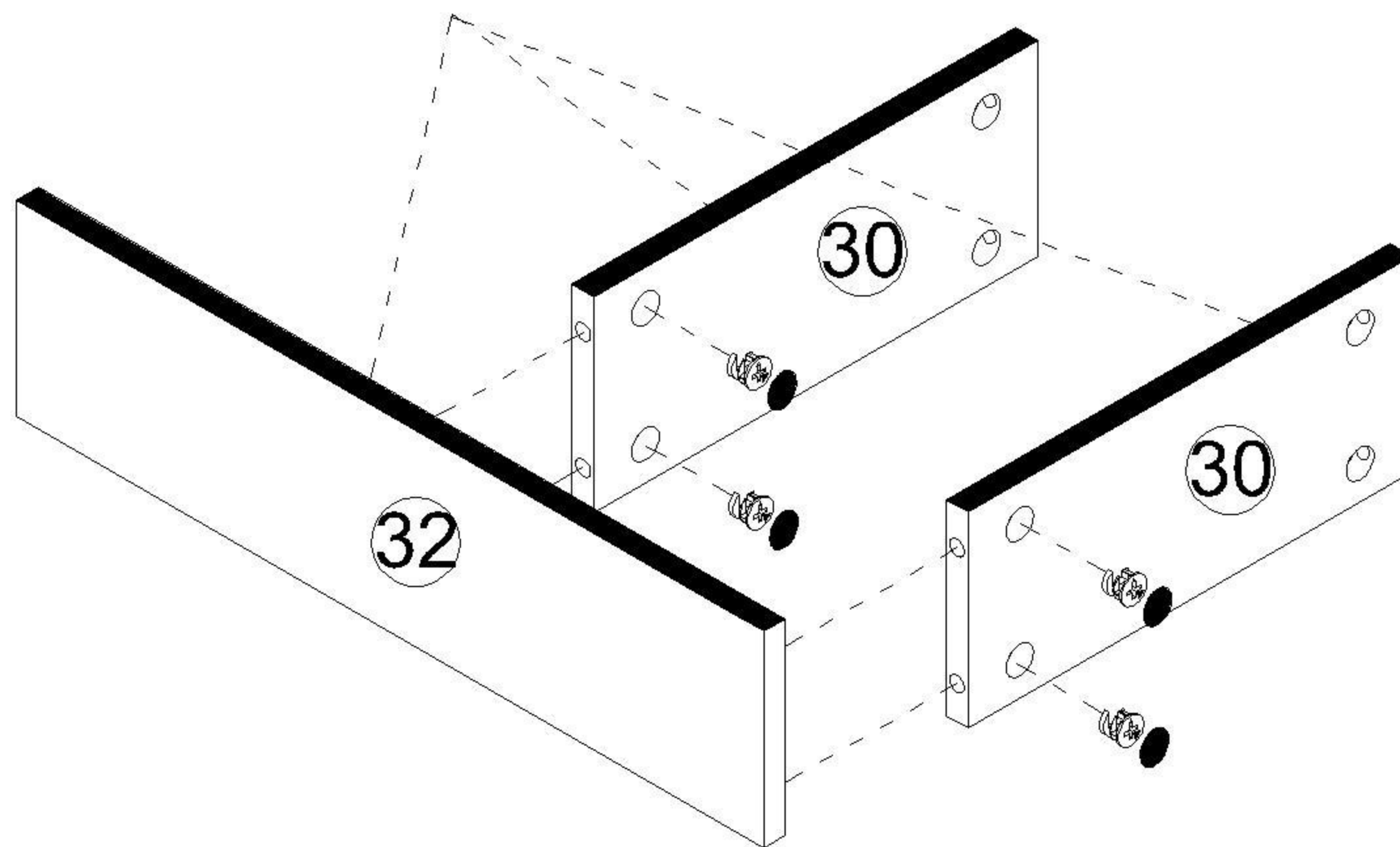
STEP30



EDGE BANDING

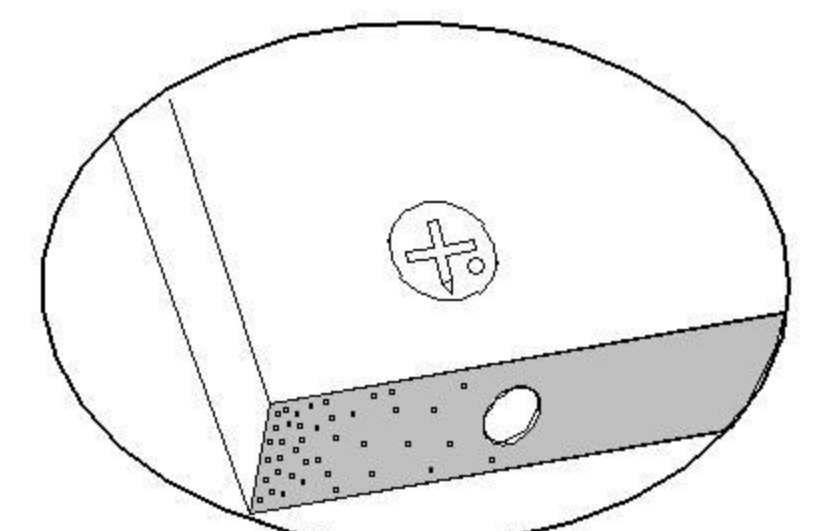
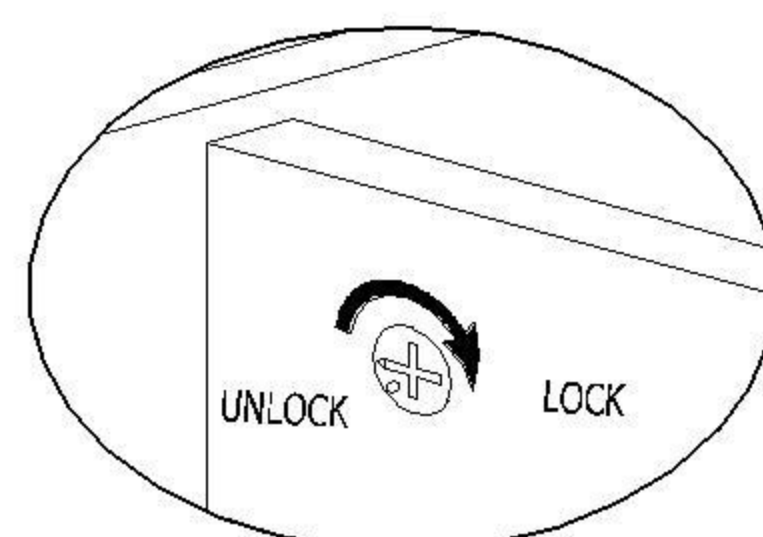
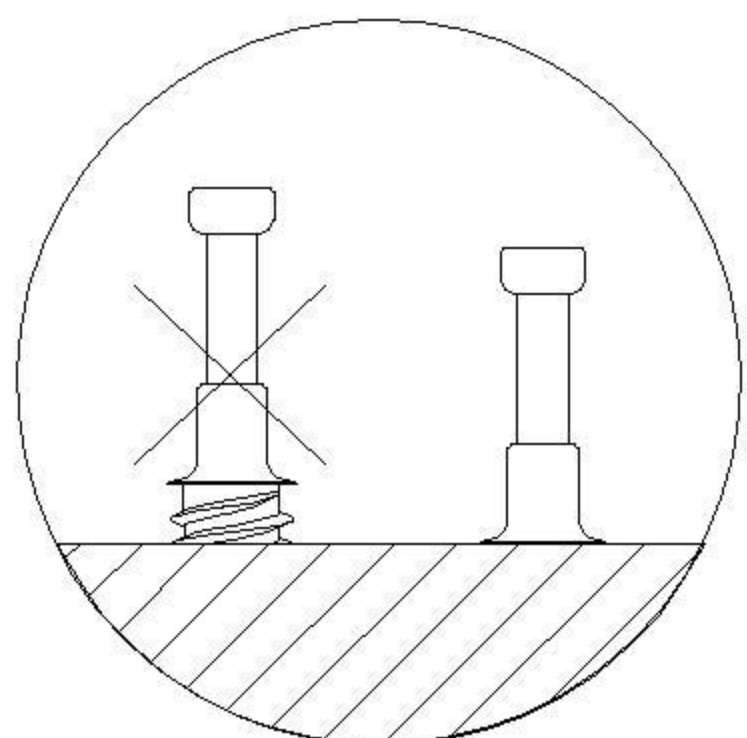
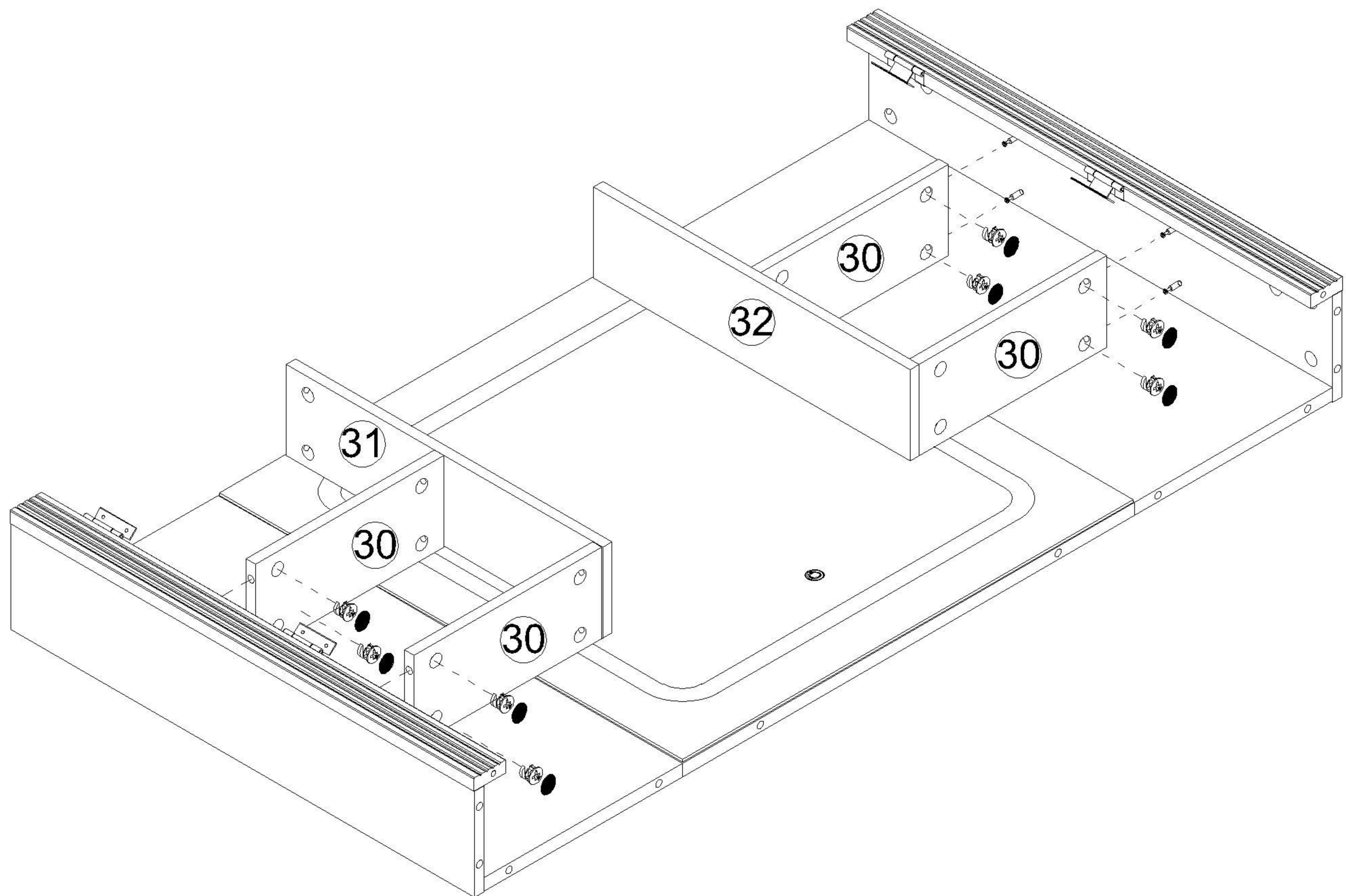
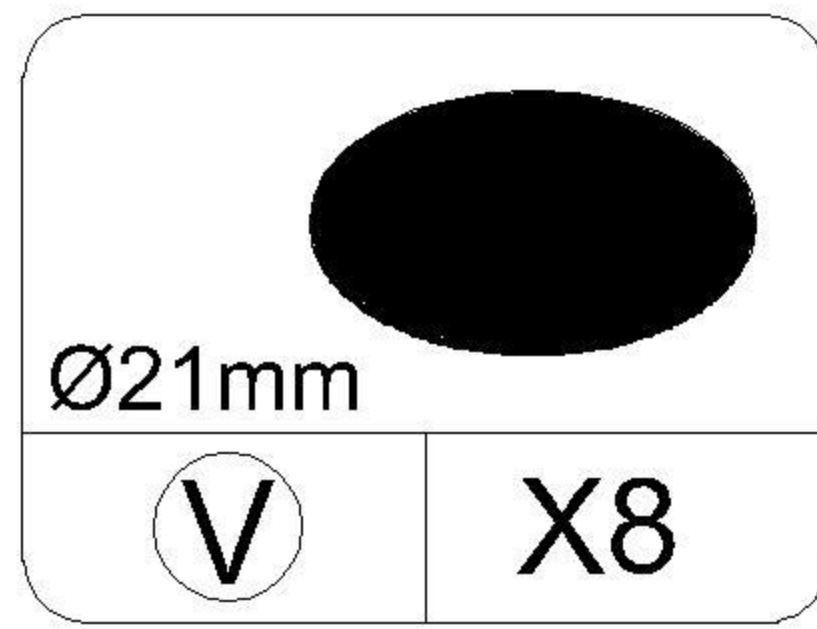
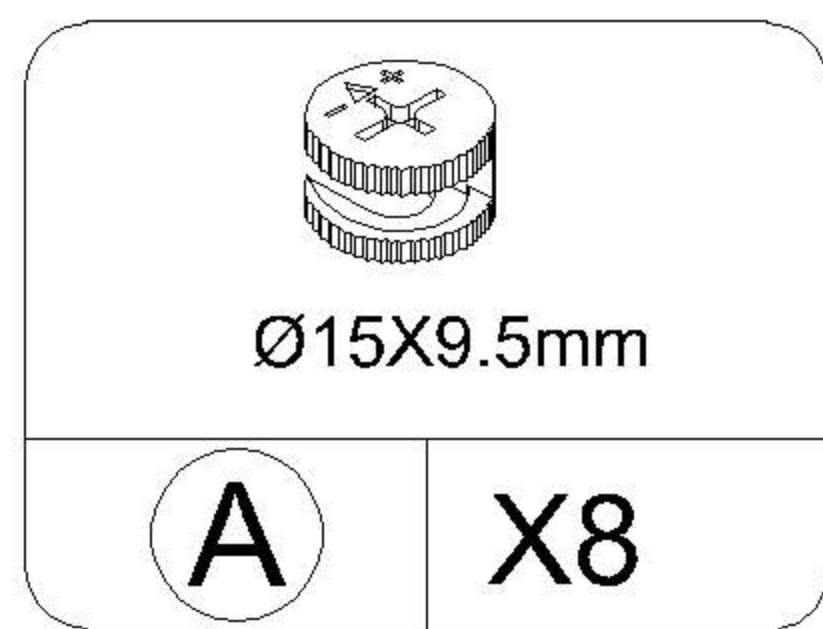
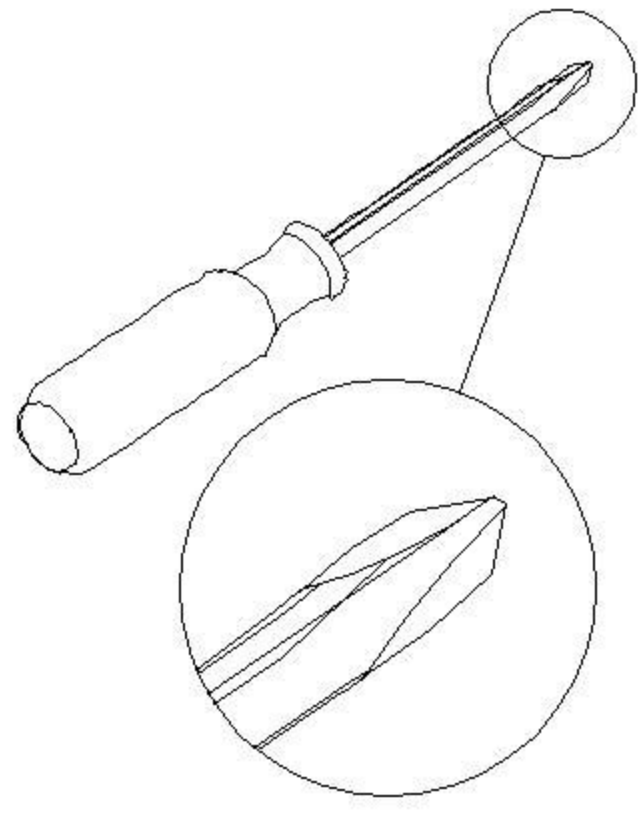


EDGE BANDING



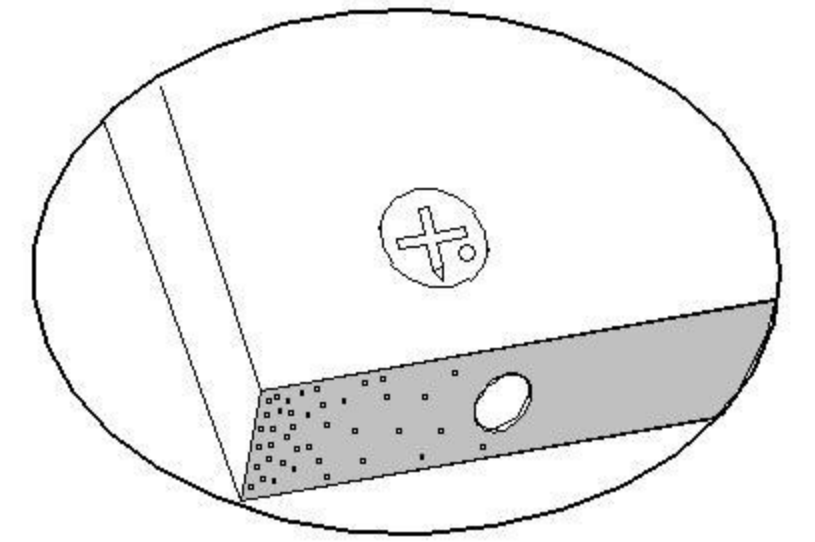
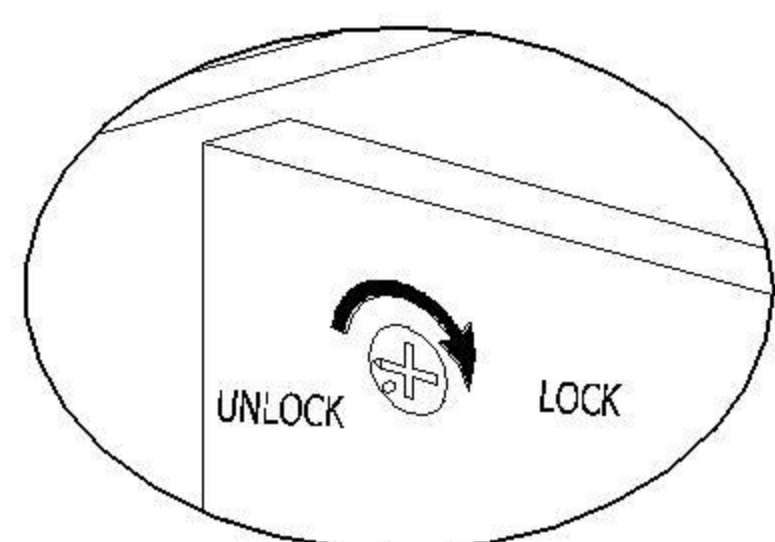
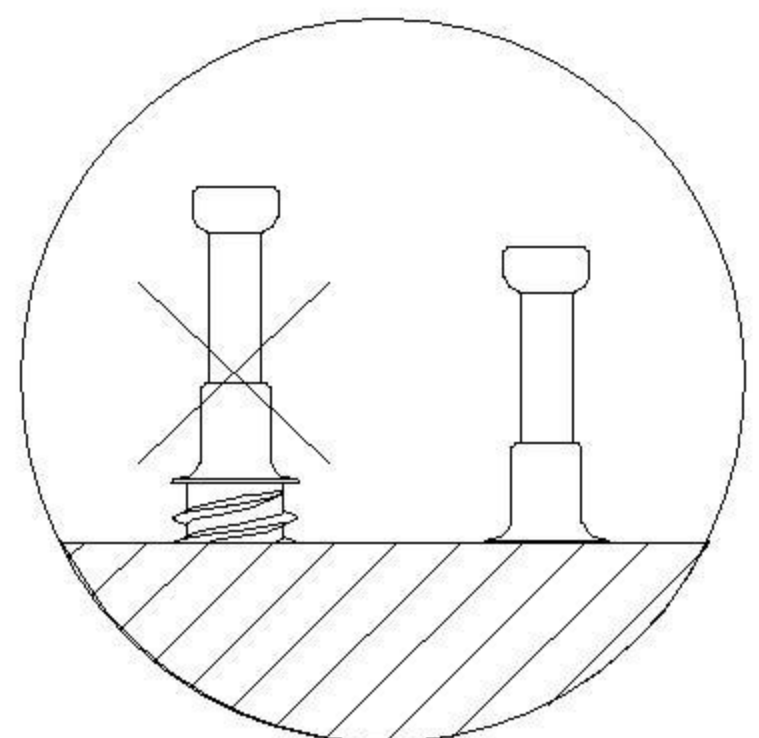
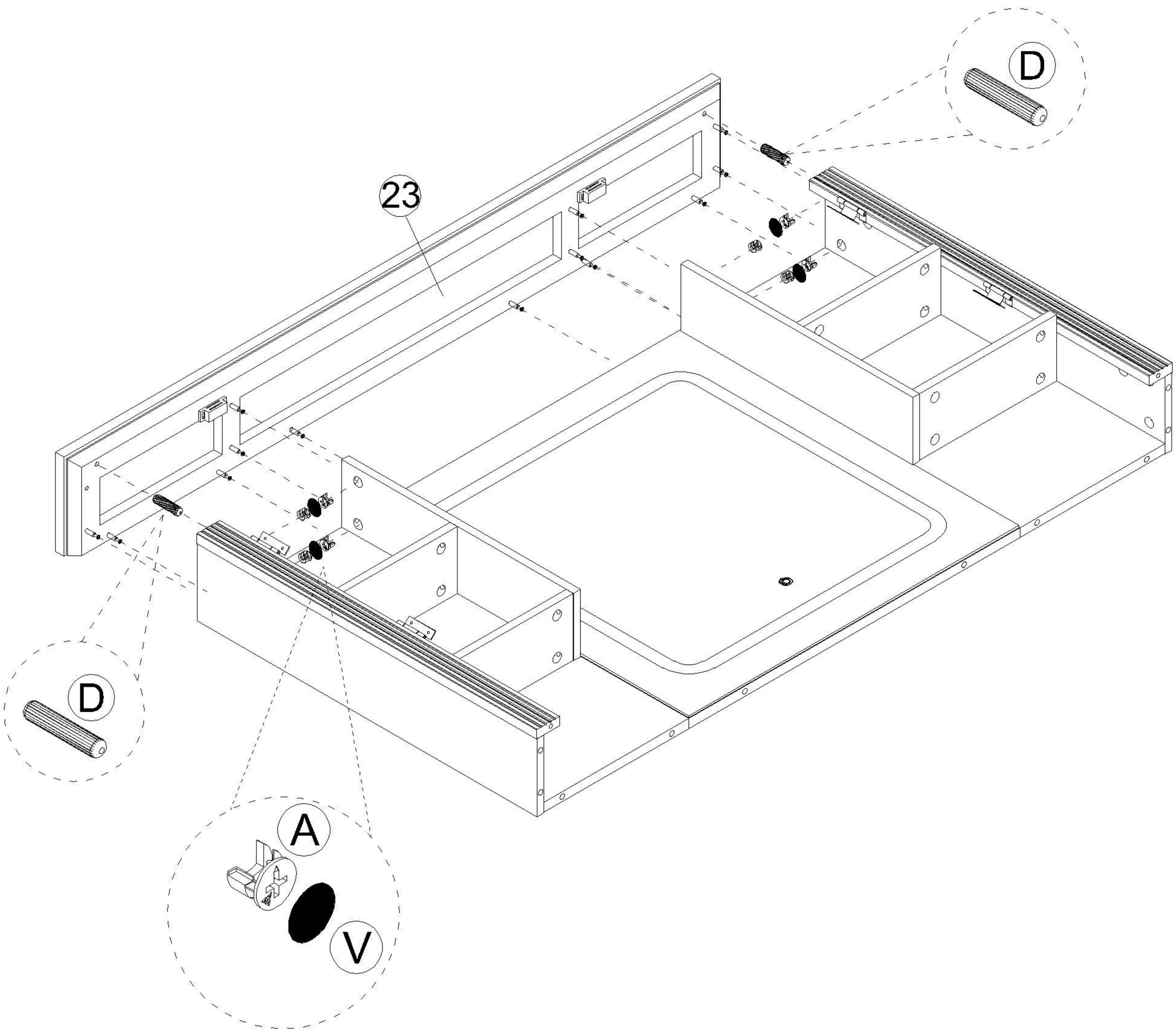
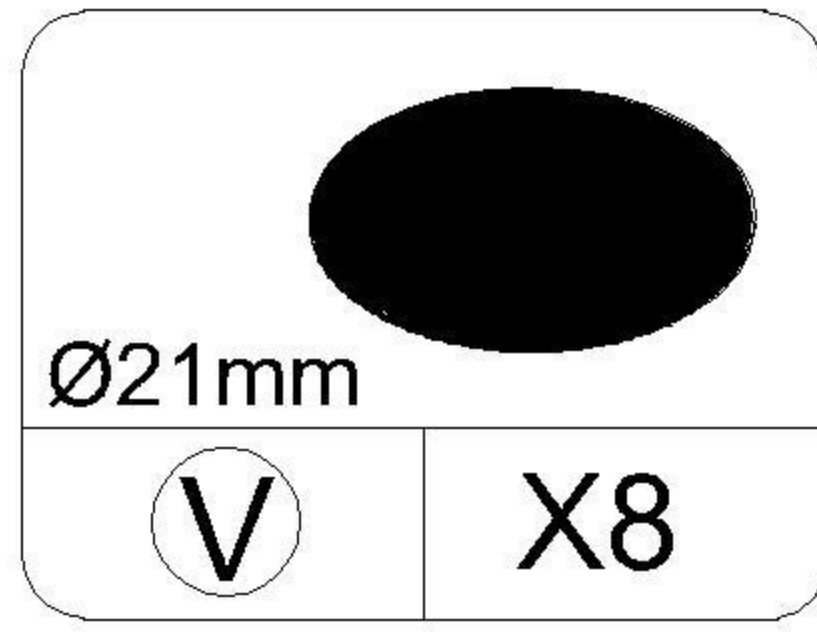
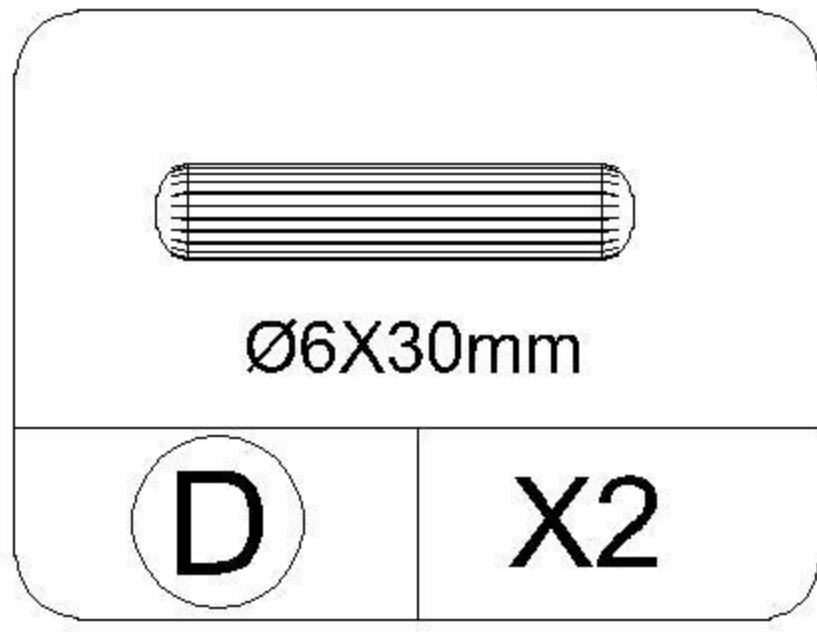
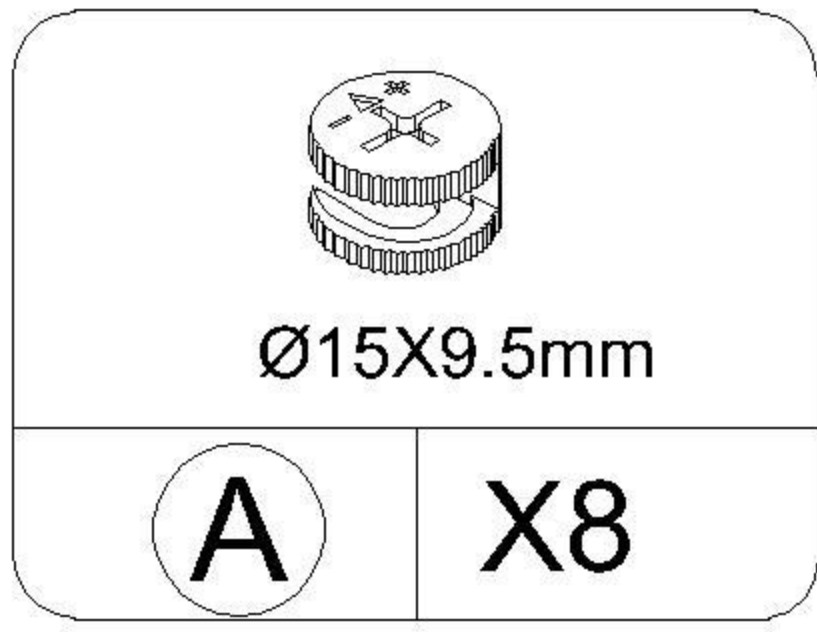
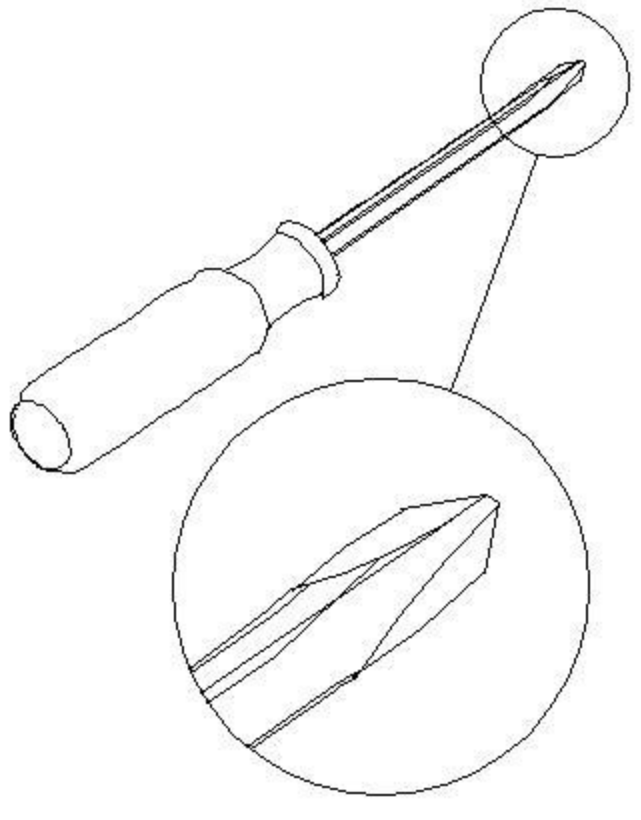
Proper orientation of CAM LOCK

STEP31



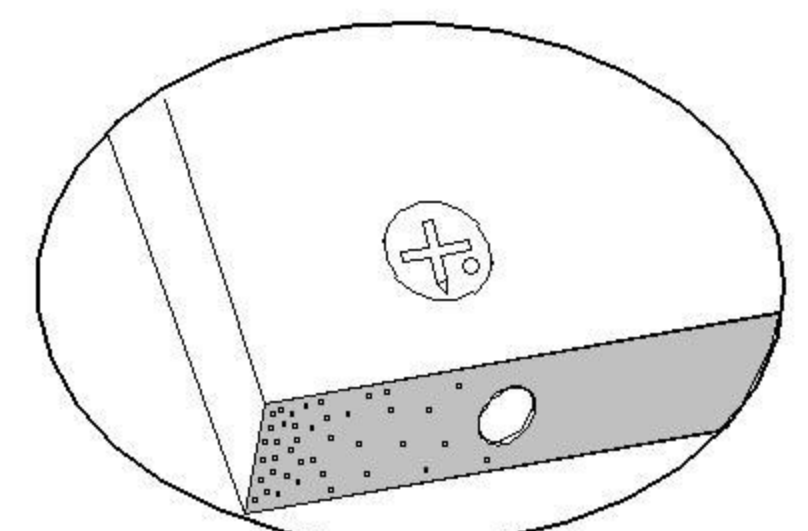
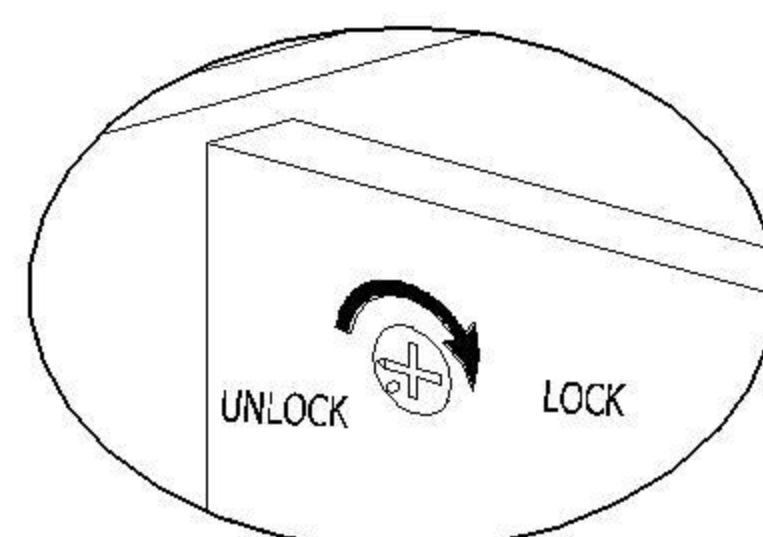
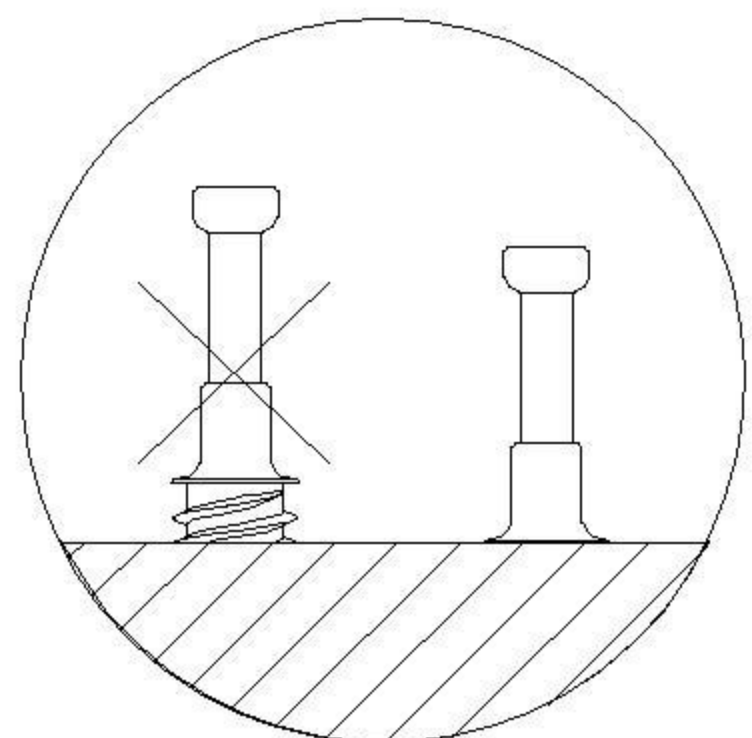
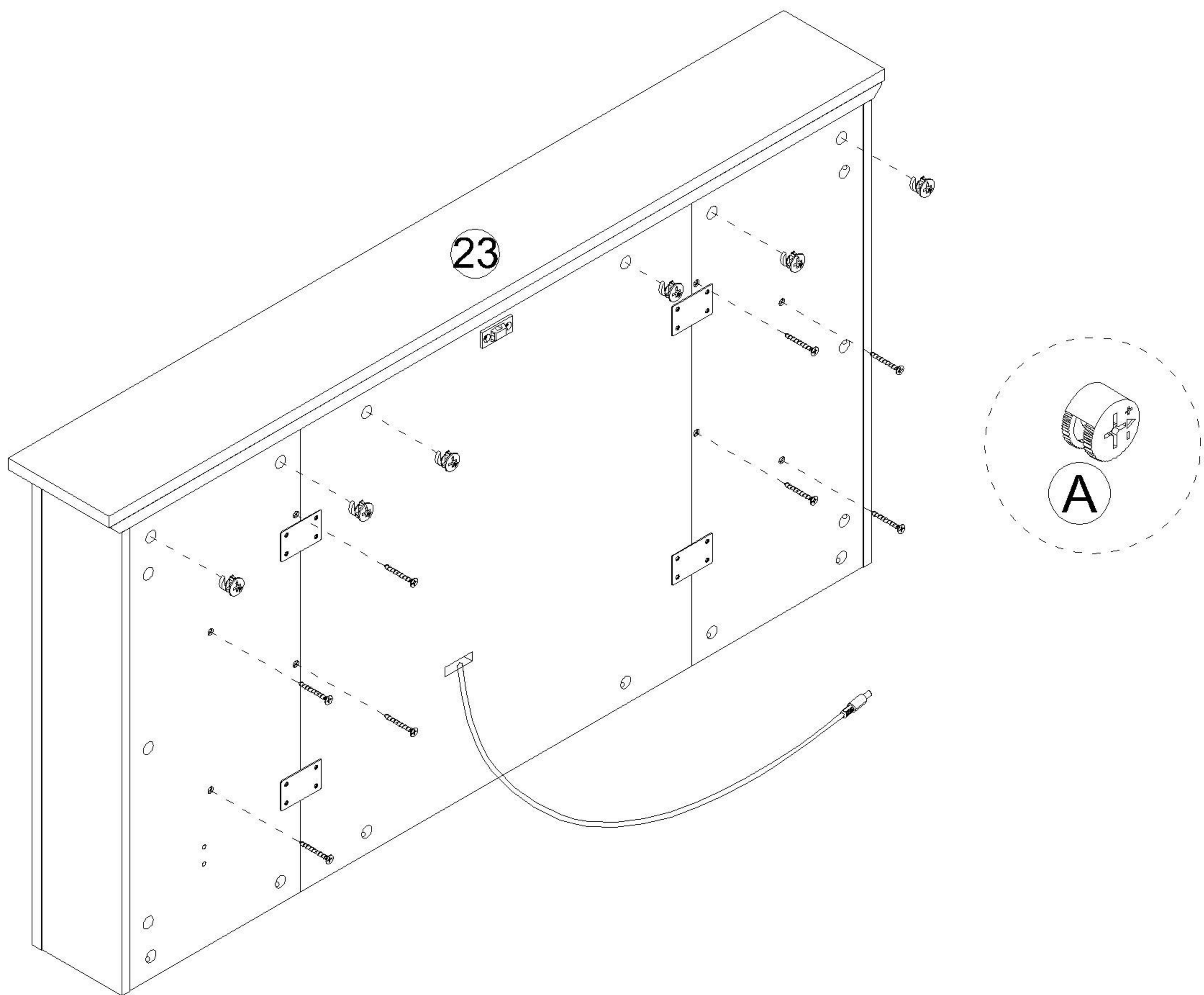
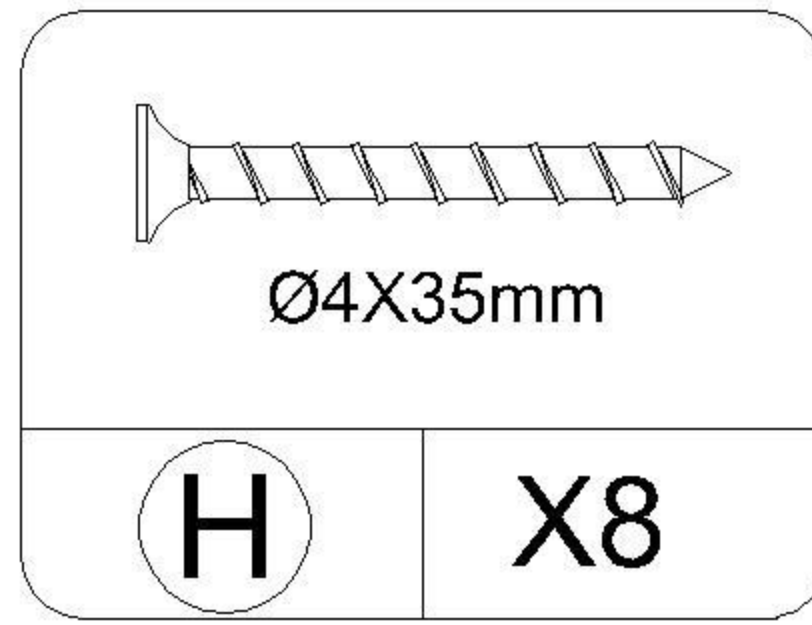
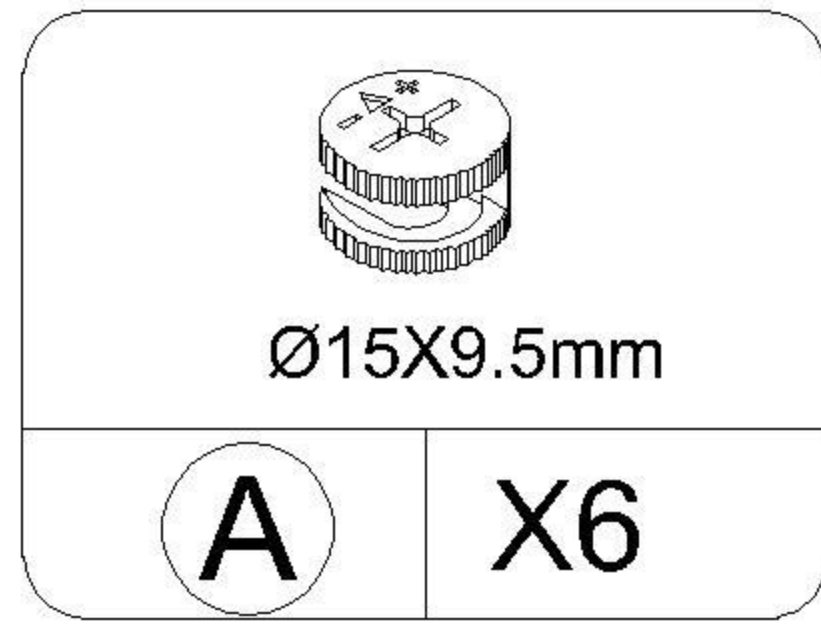
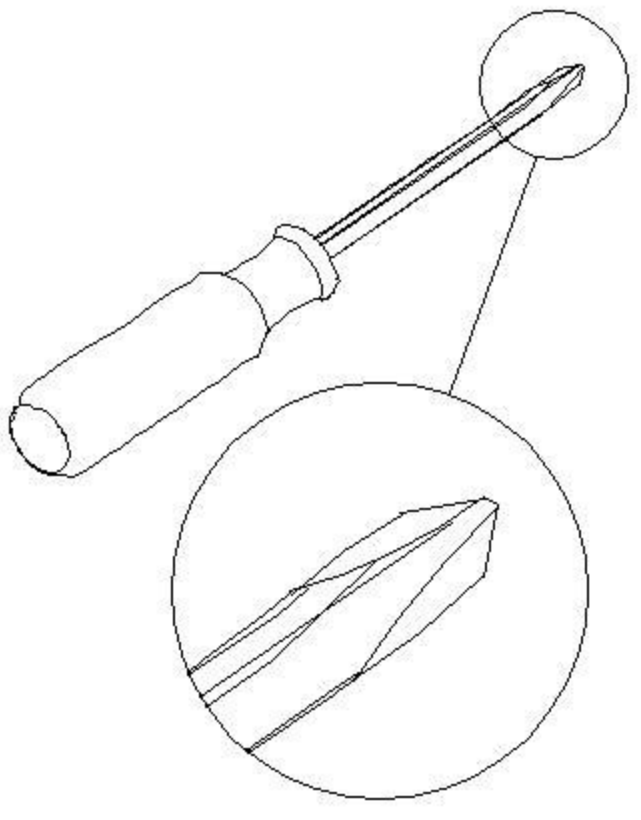
Proper orientation of CAM LOCK

STEP 32



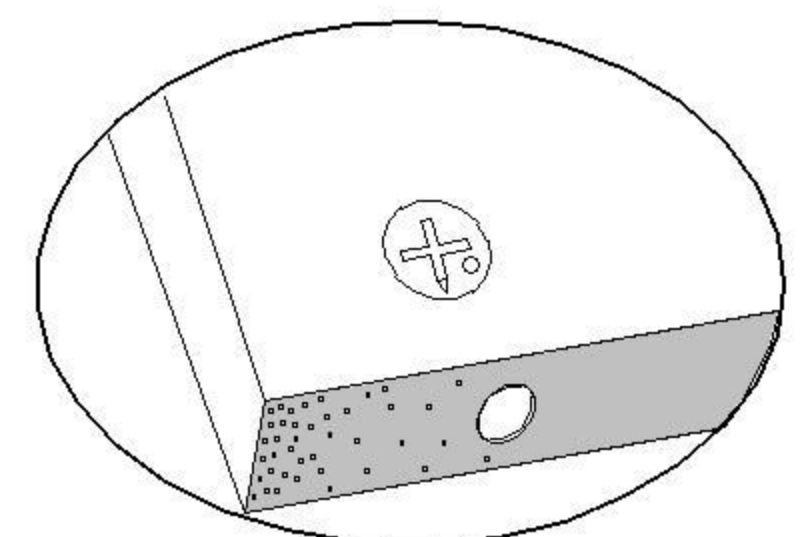
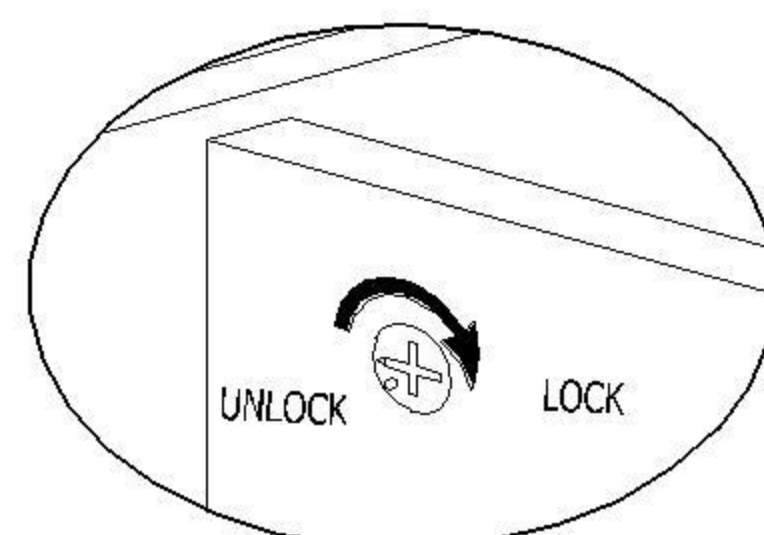
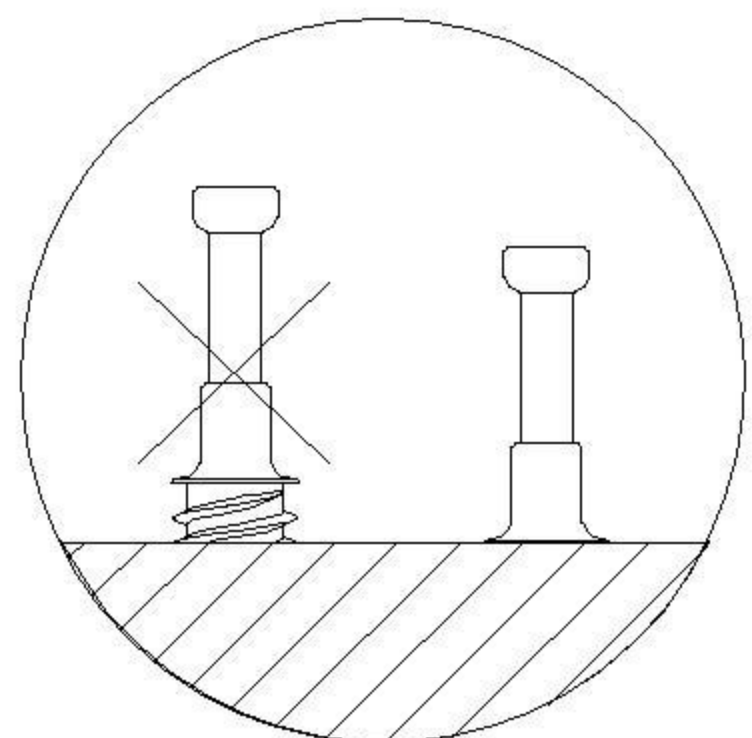
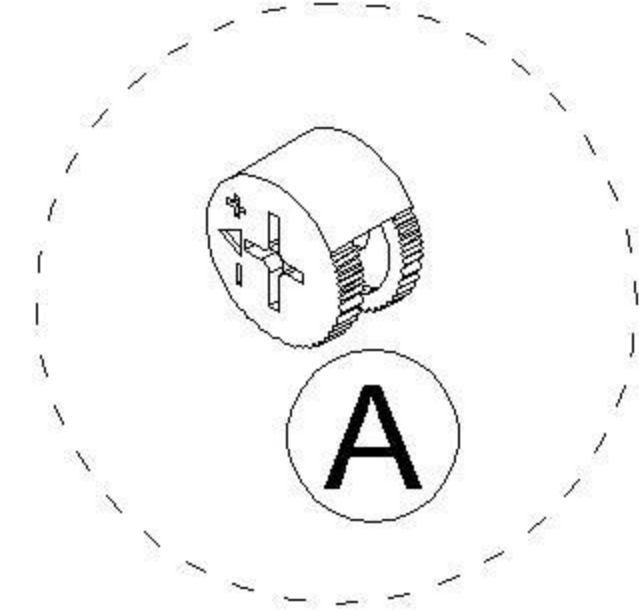
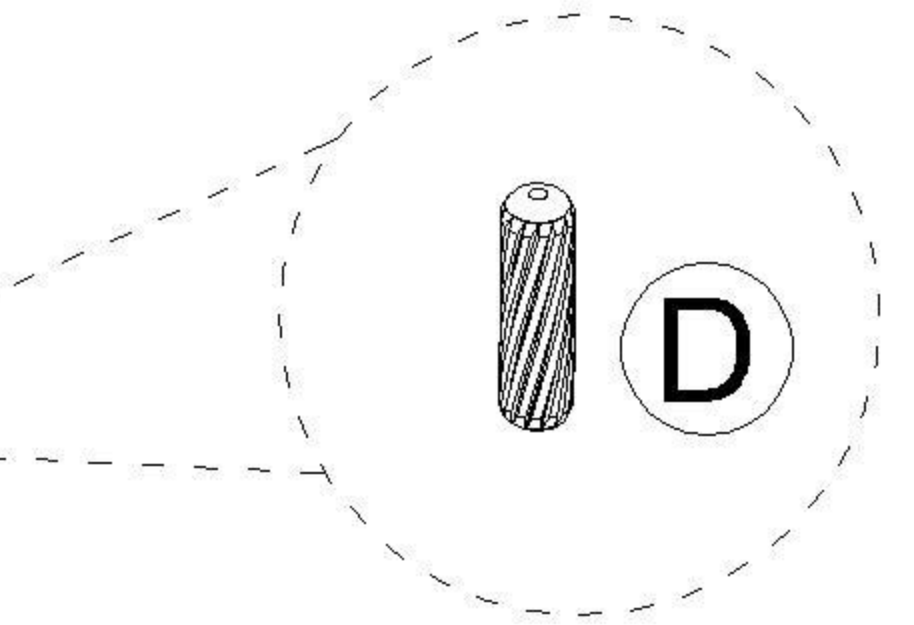
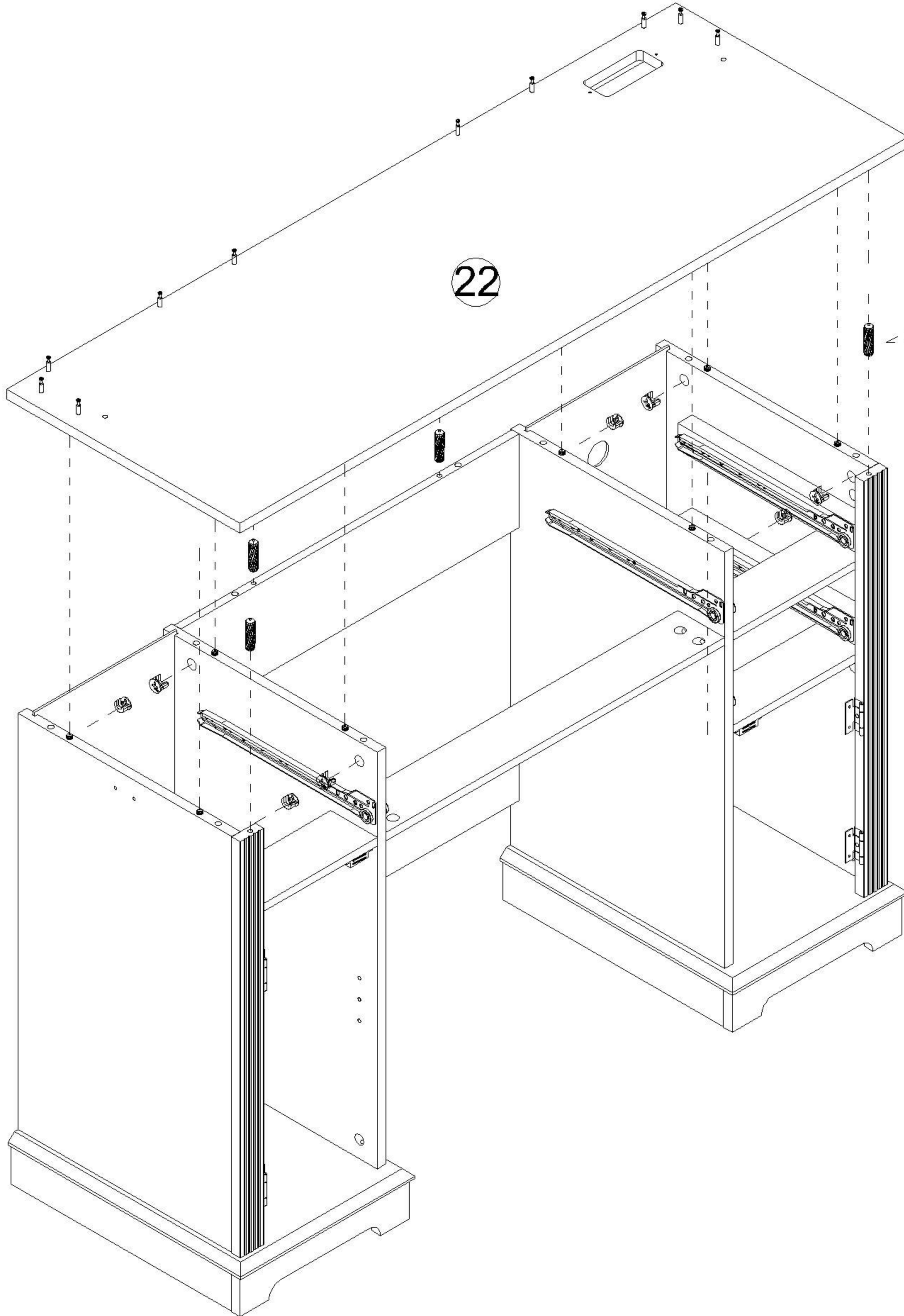
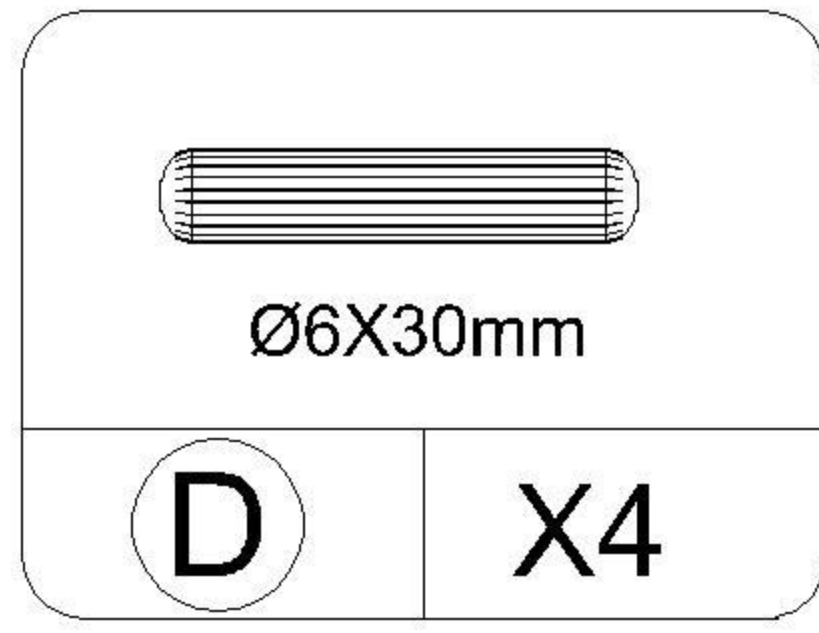
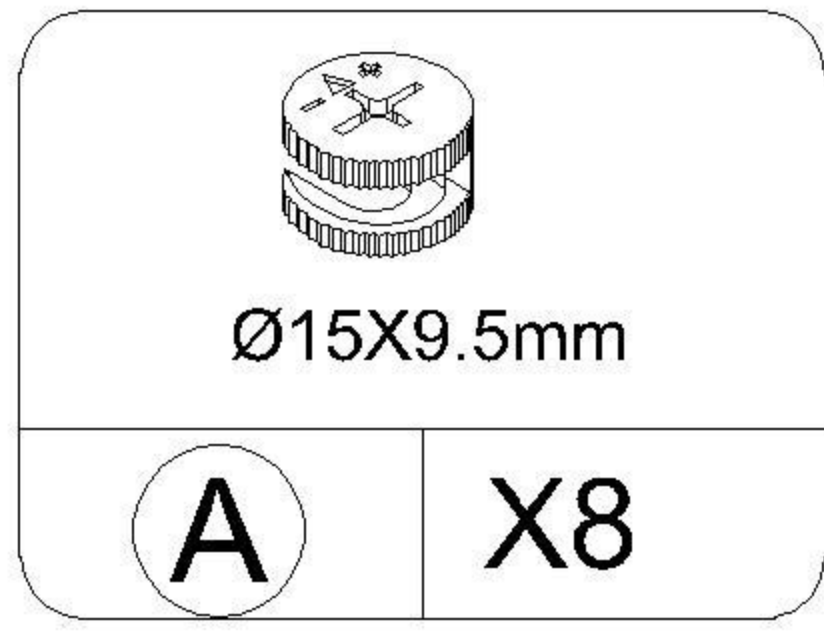
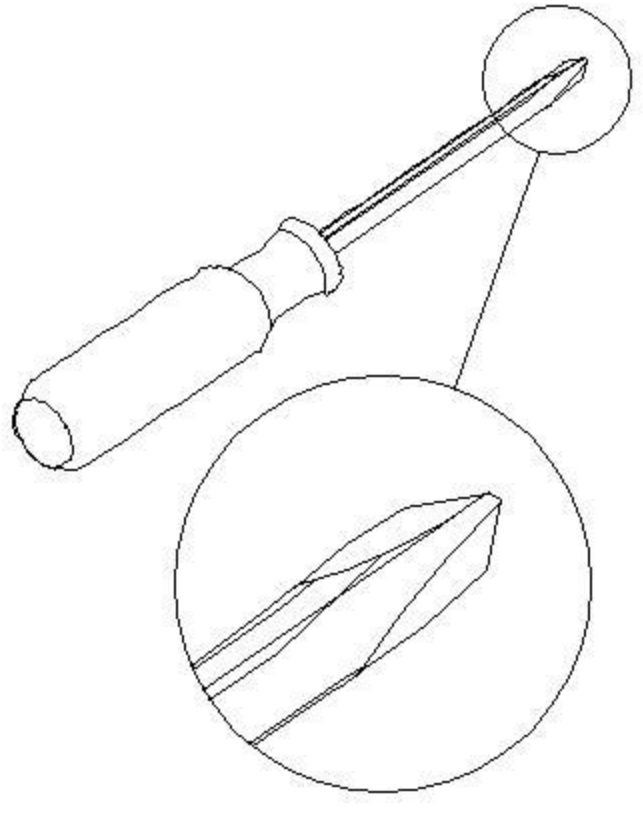
Proper orientation of CAM LOCK

STEP 33



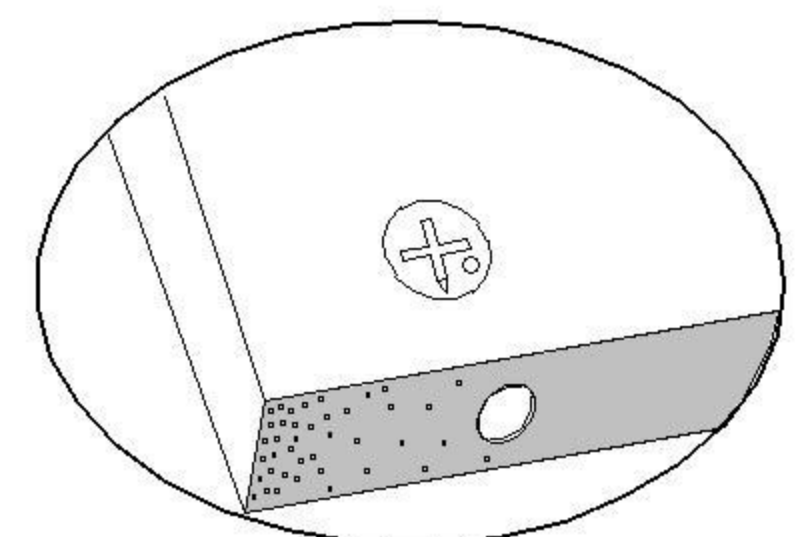
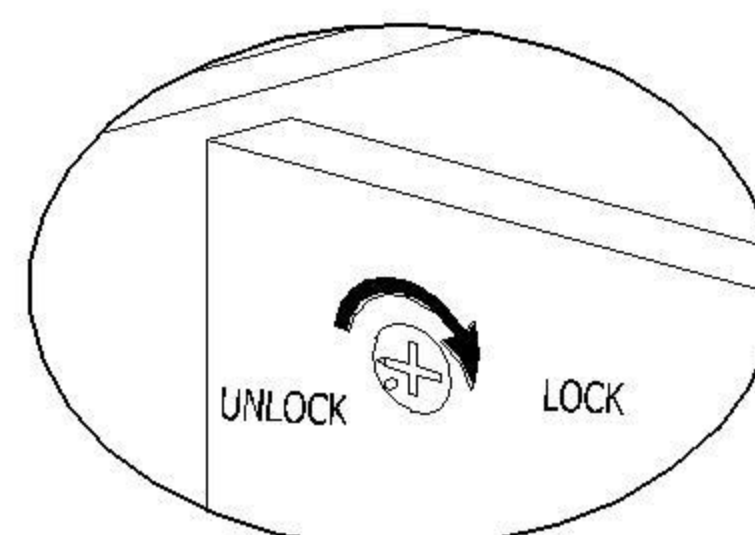
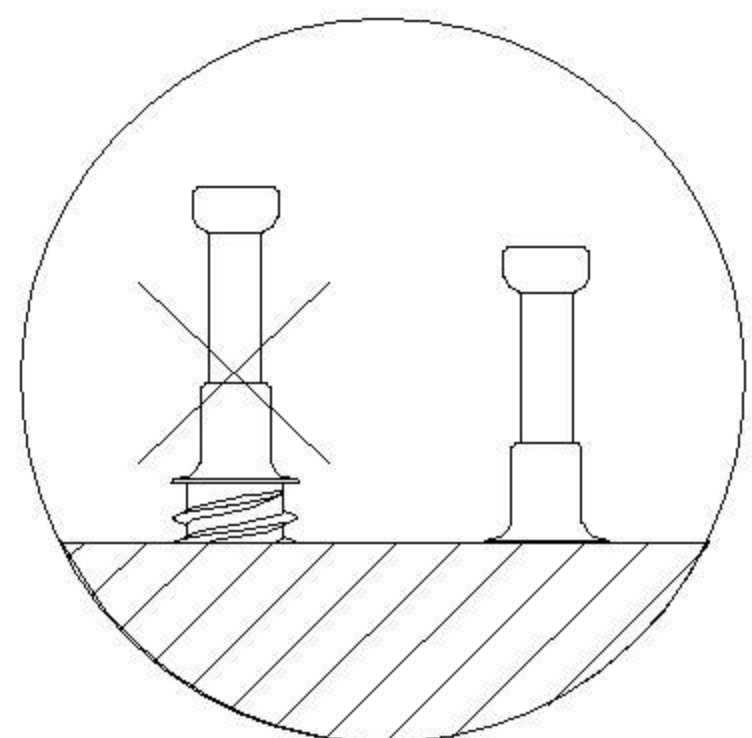
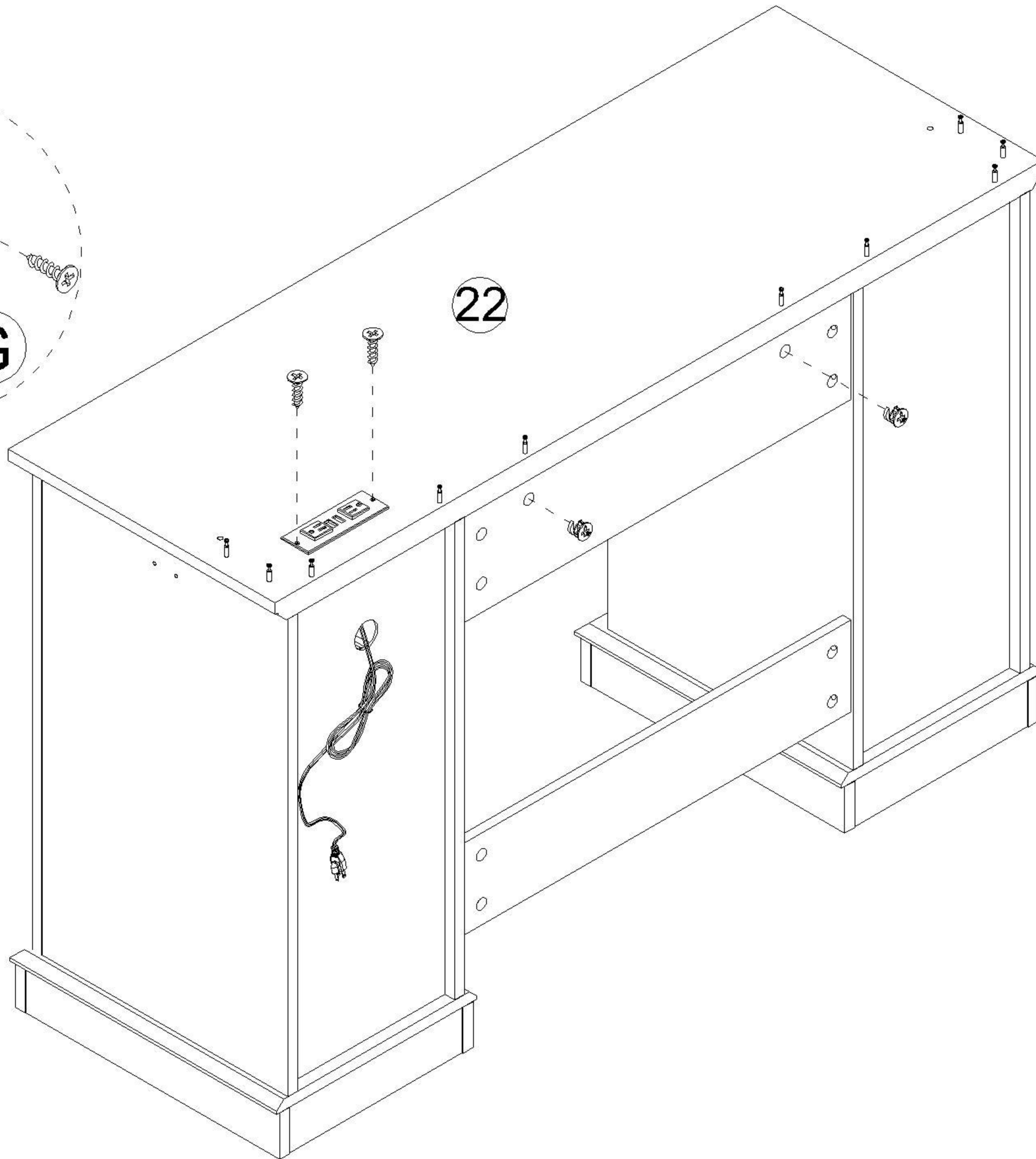
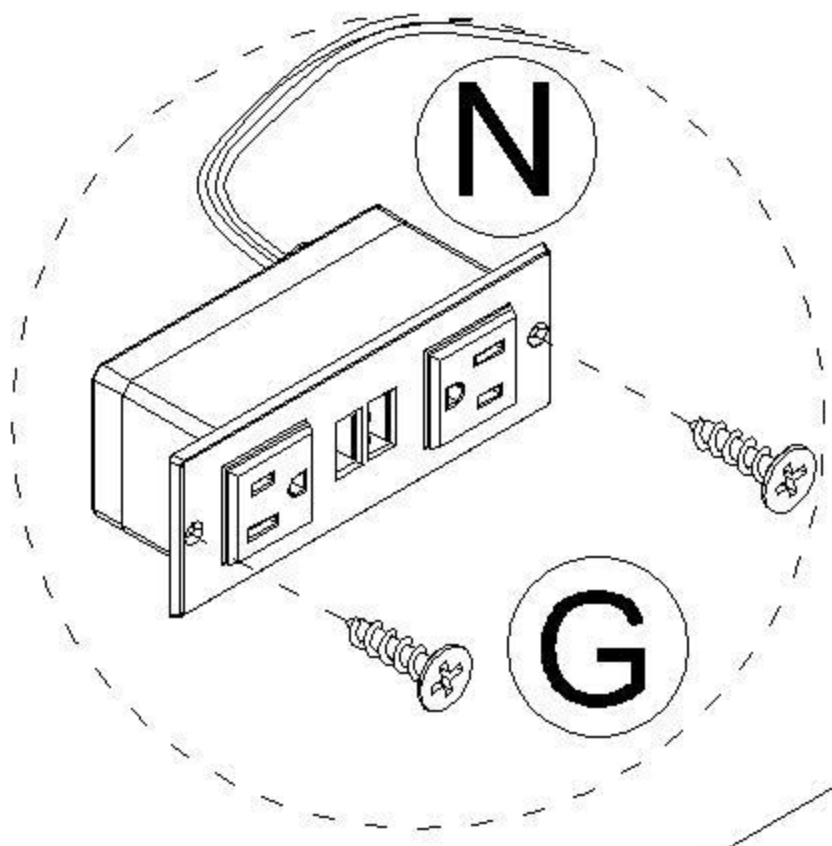
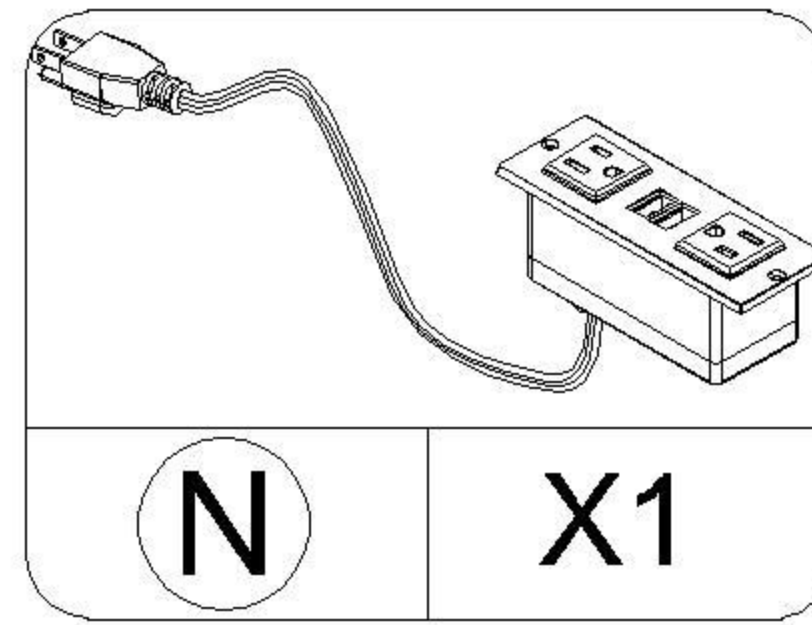
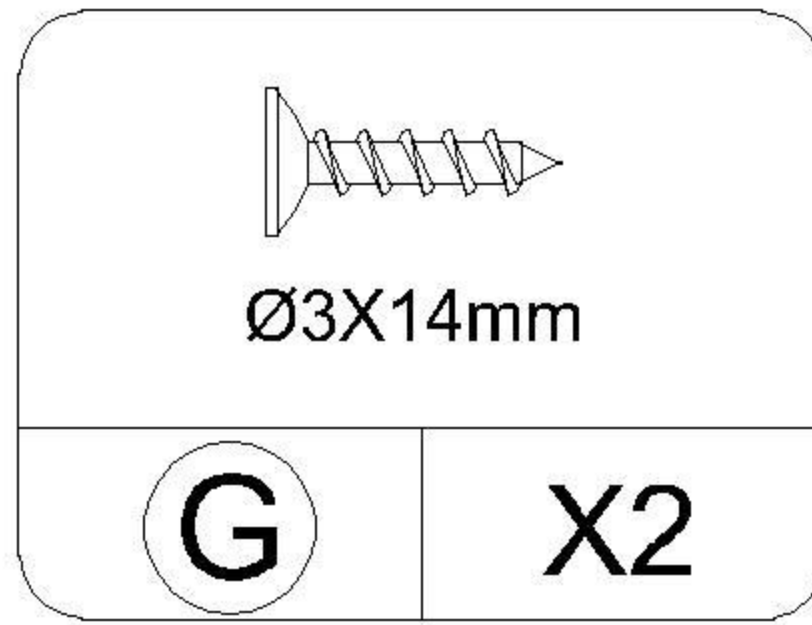
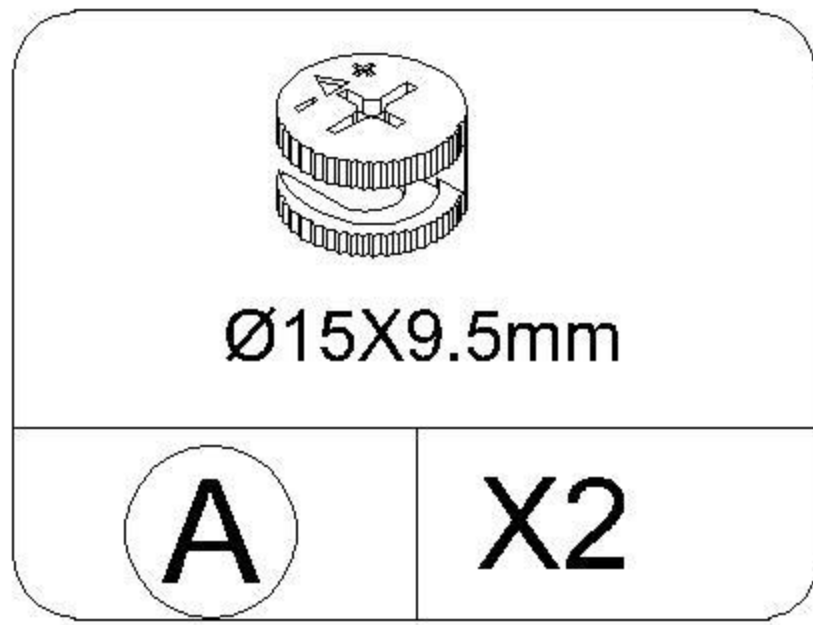
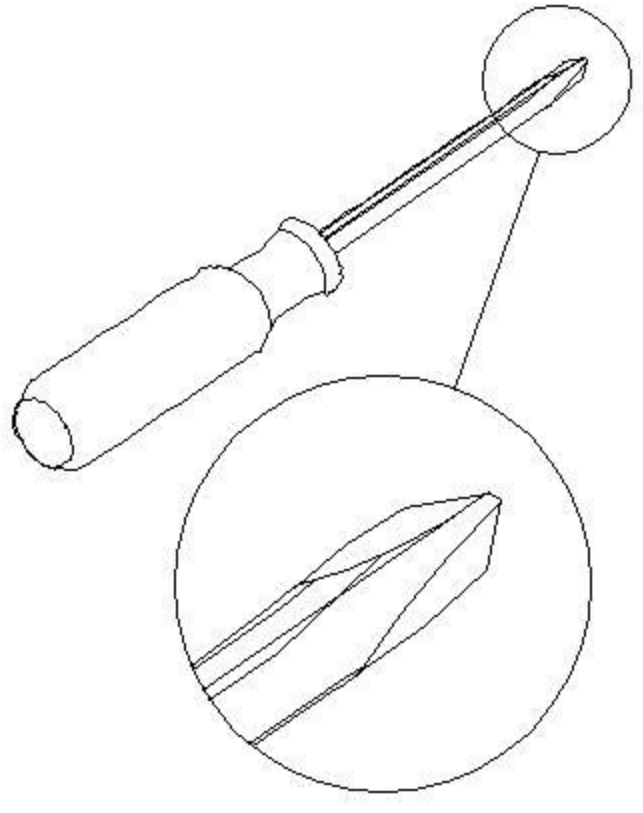
Proper orientation of CAM LOCK

STEP34



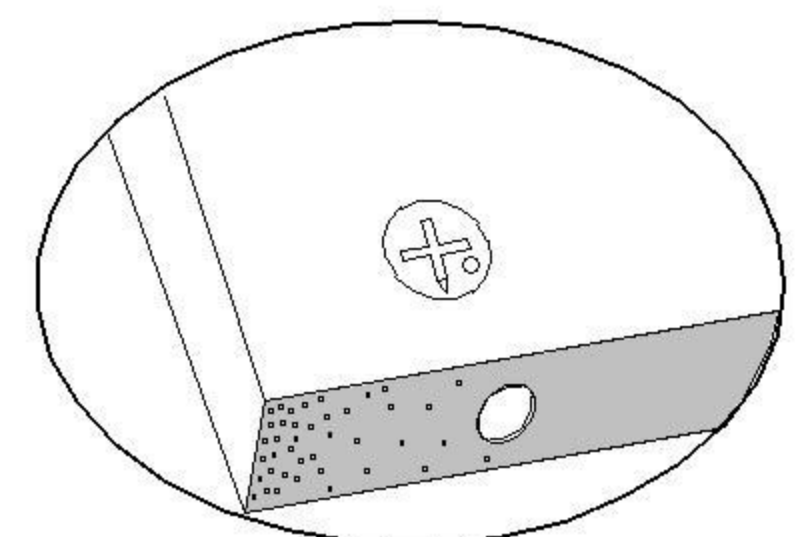
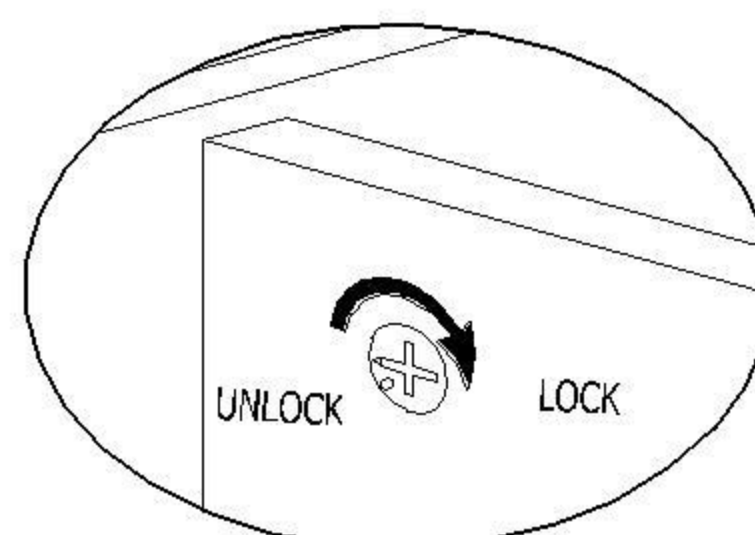
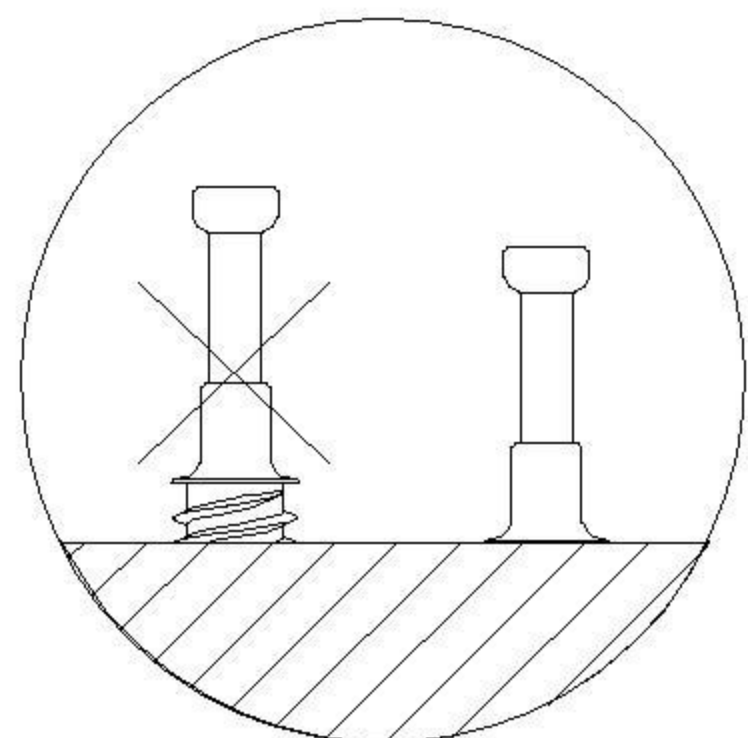
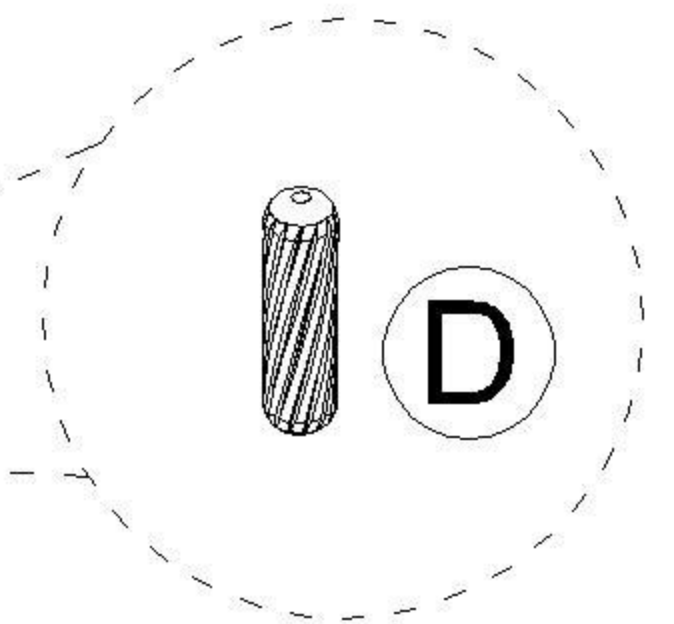
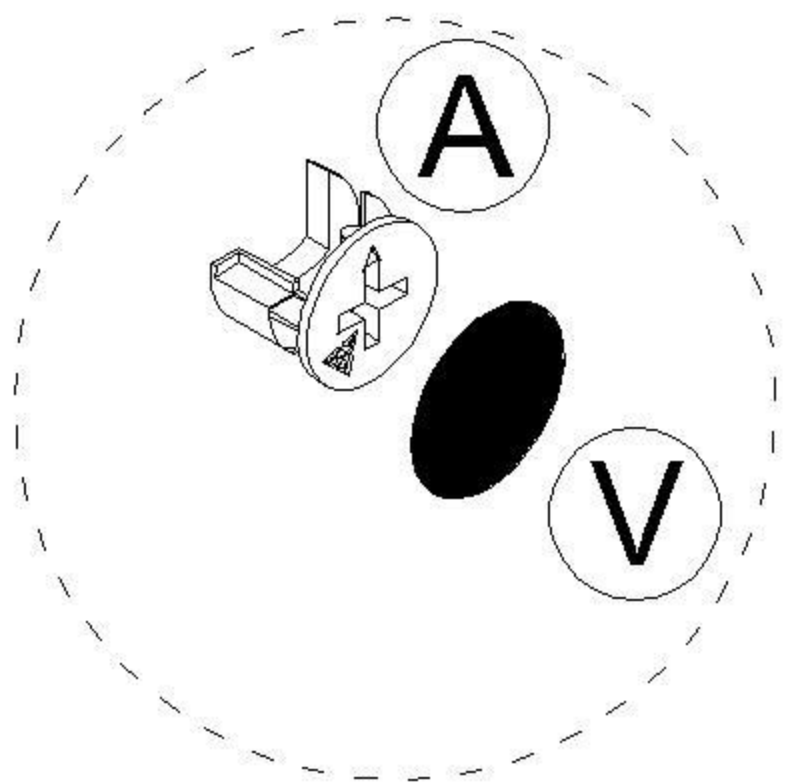
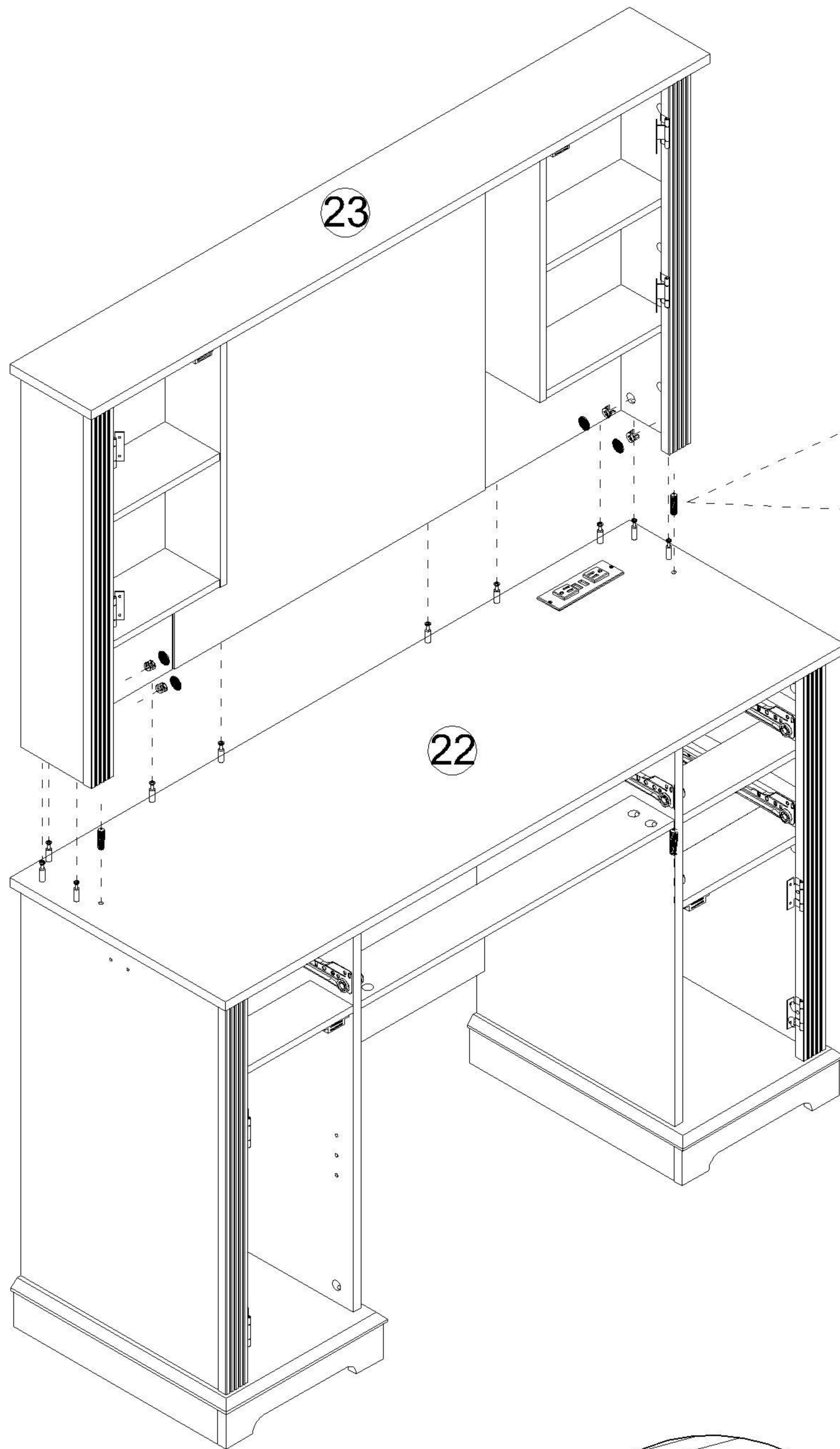
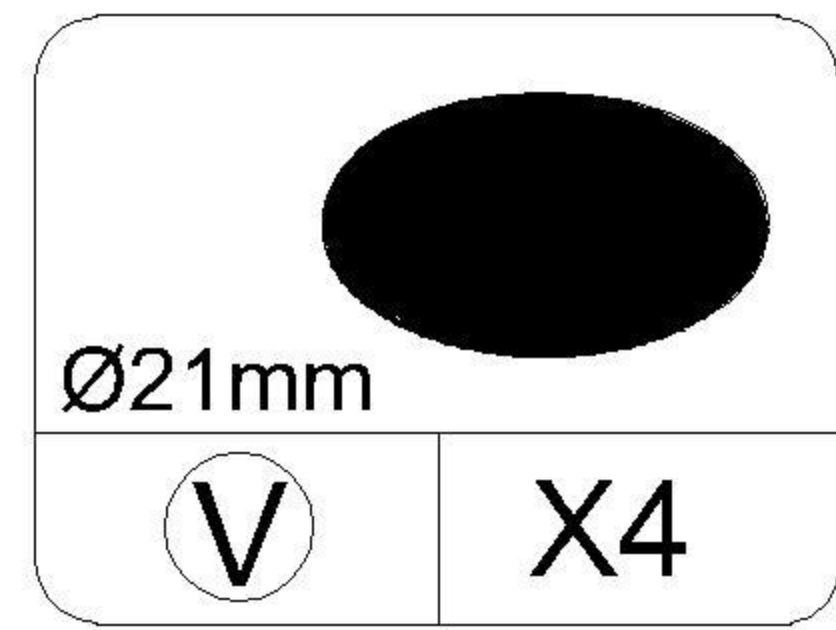
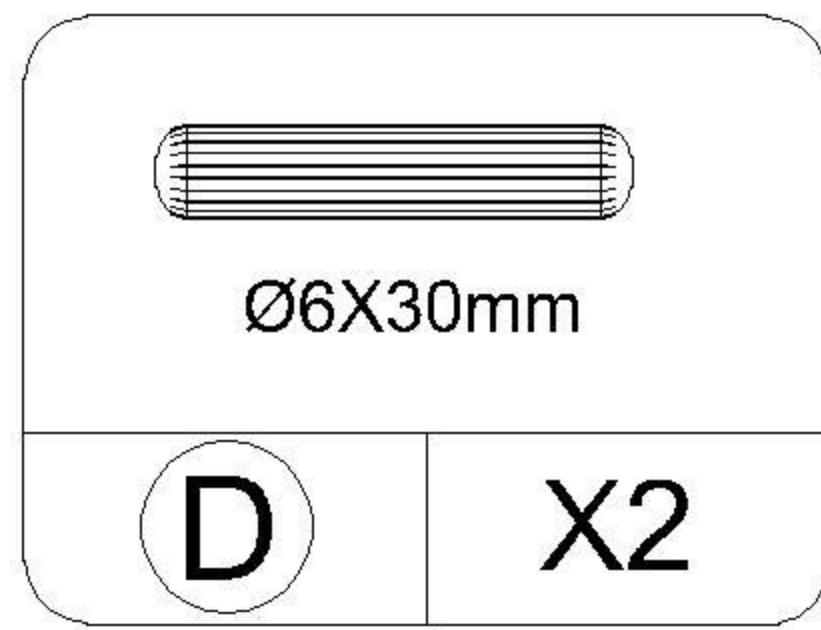
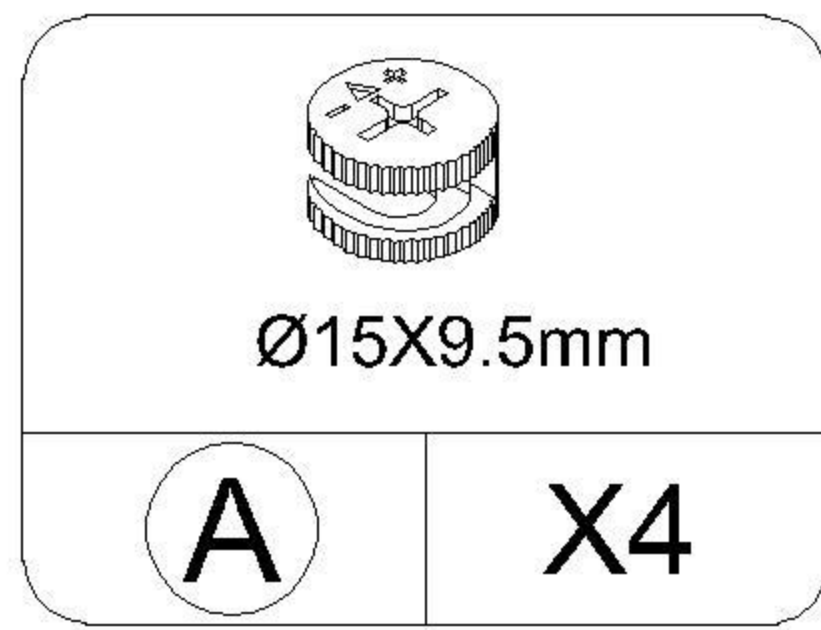
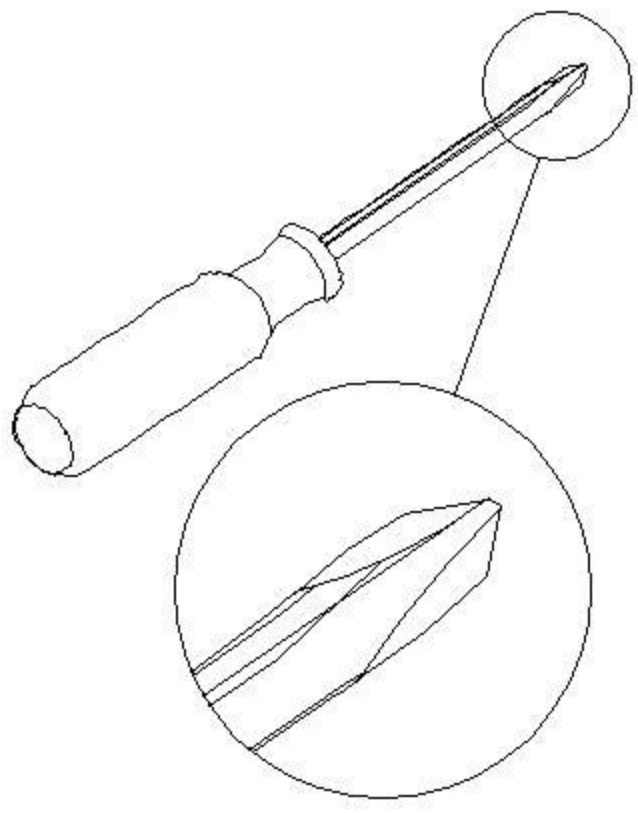
Proper orientation of CAM LOCK

STEP35

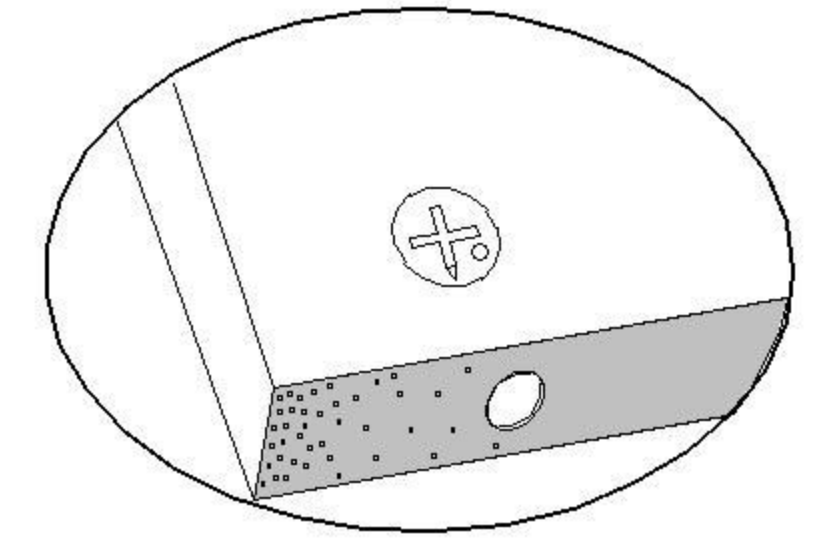
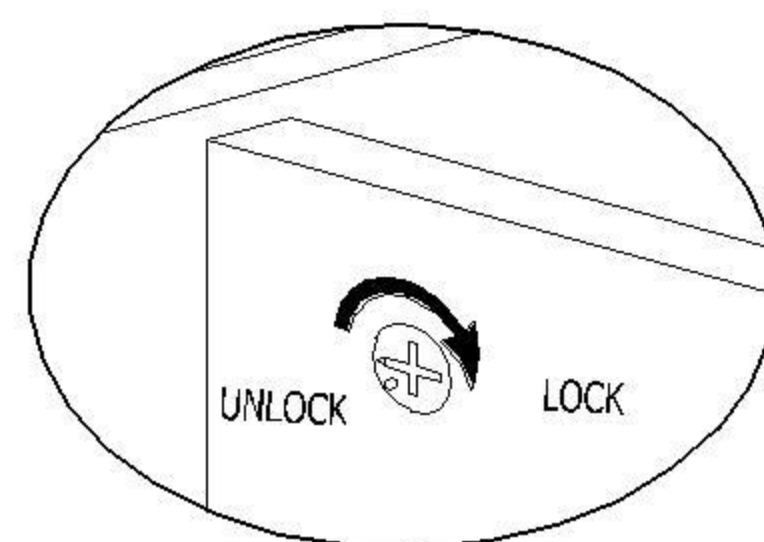
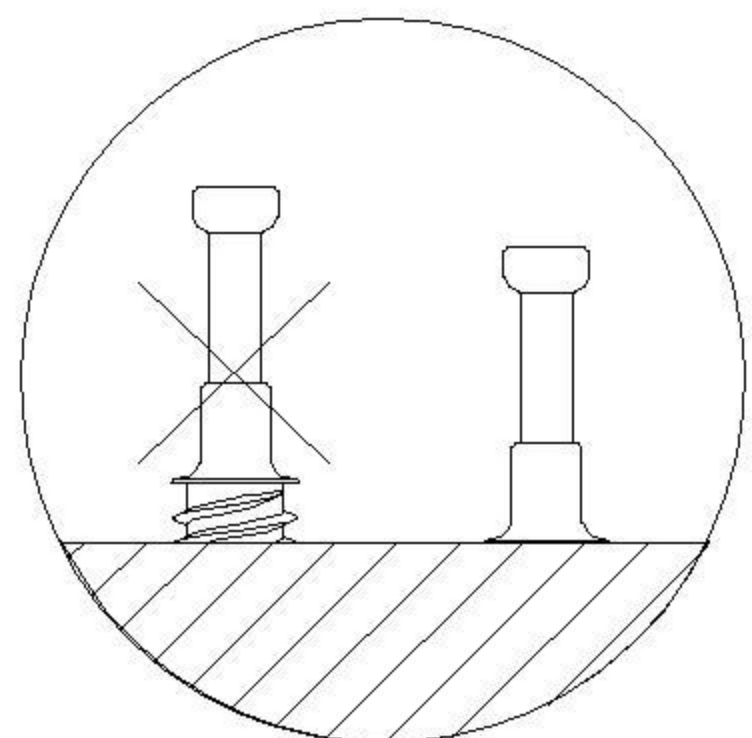
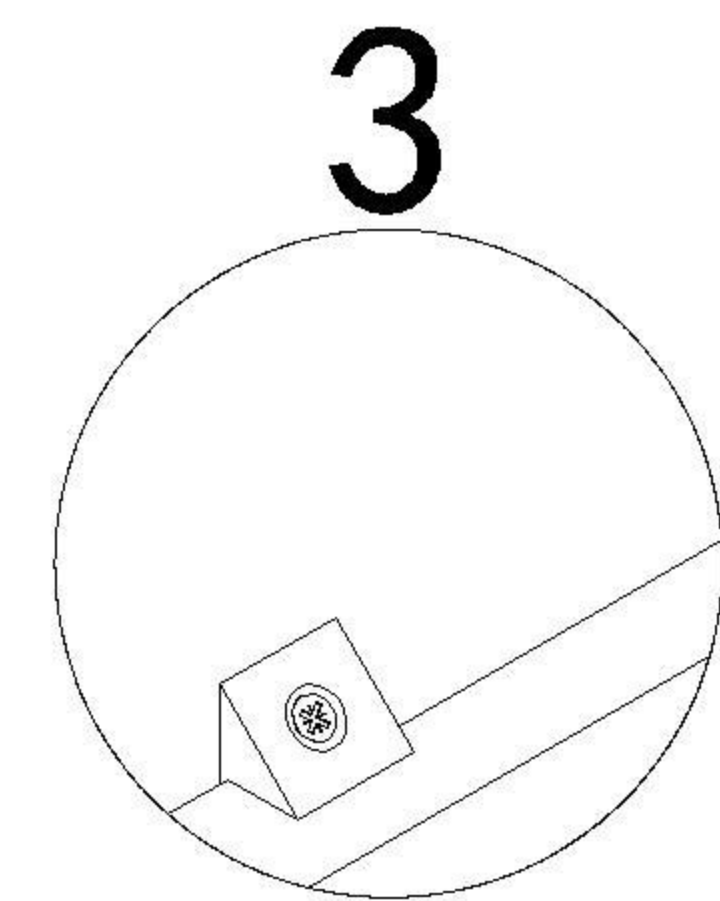
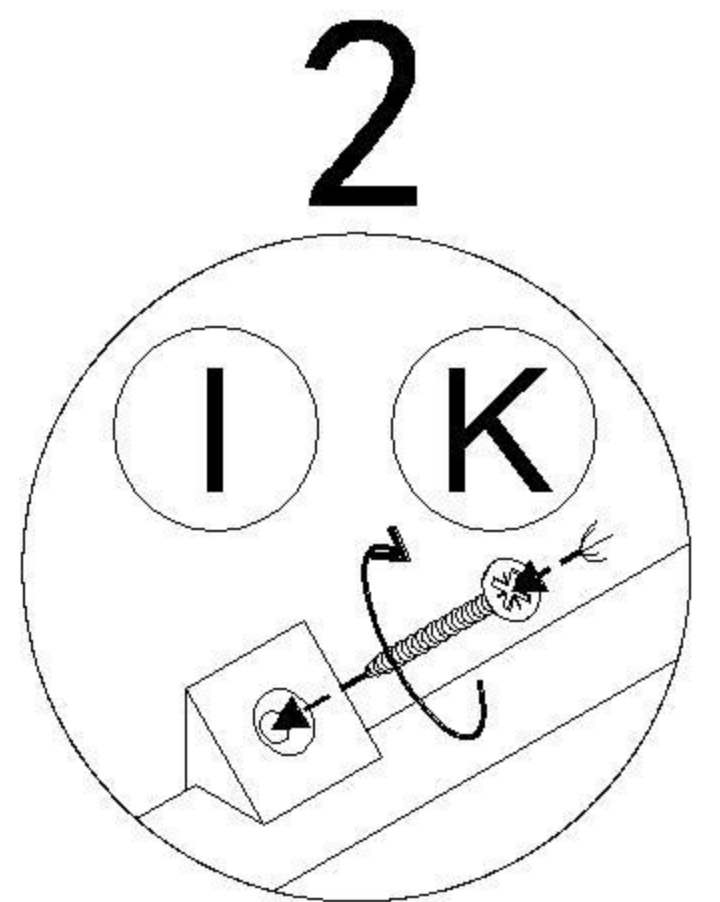
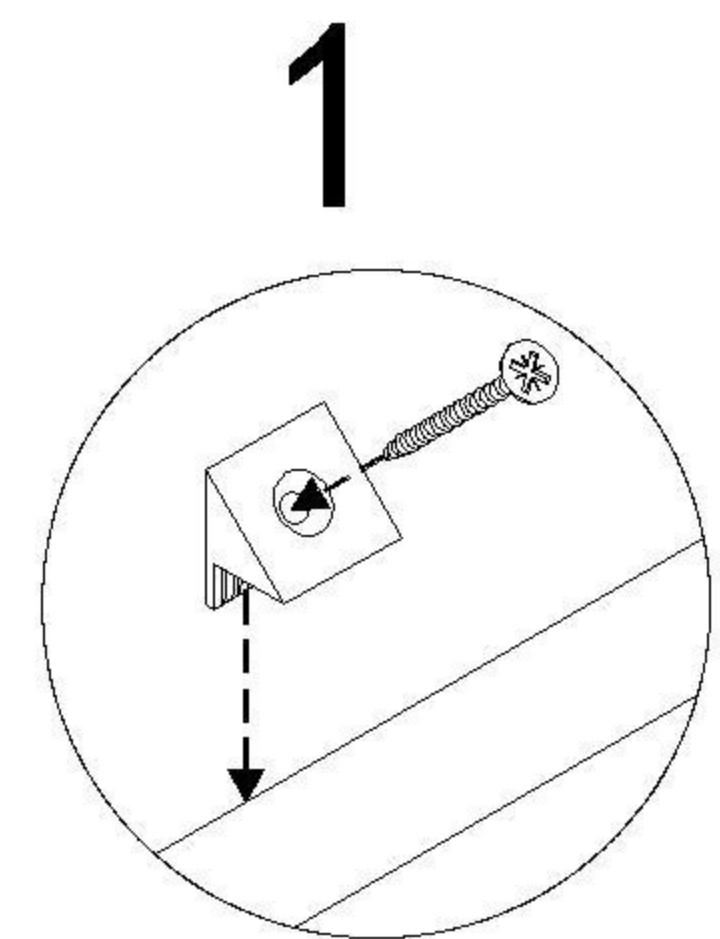
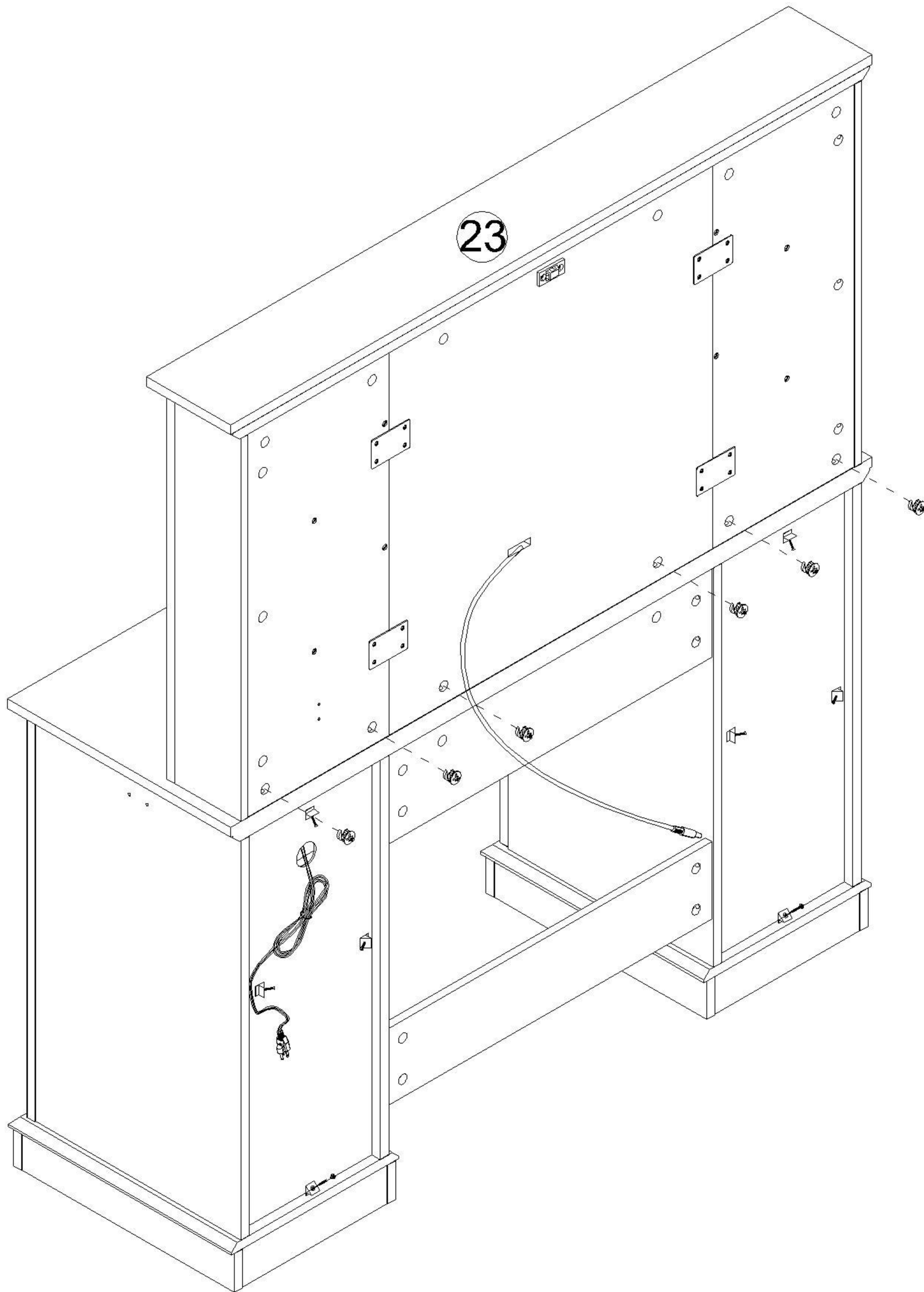
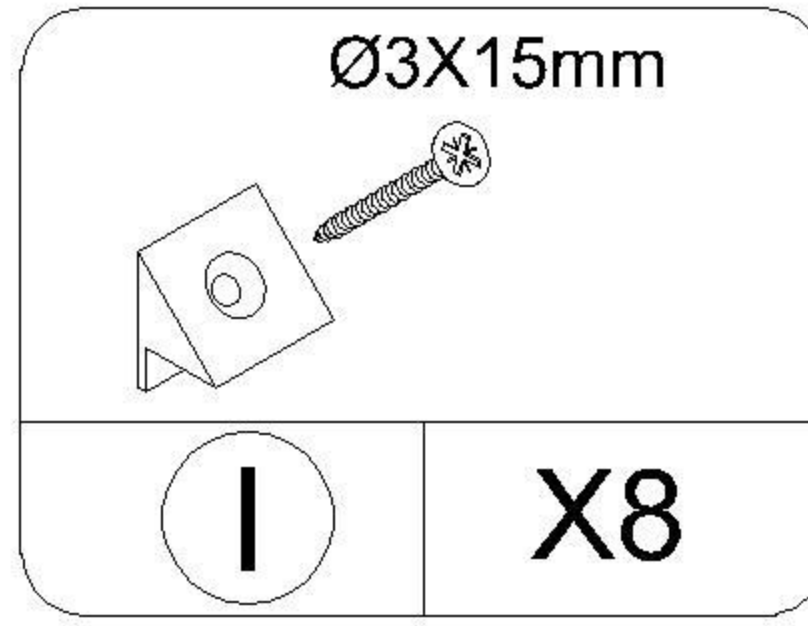
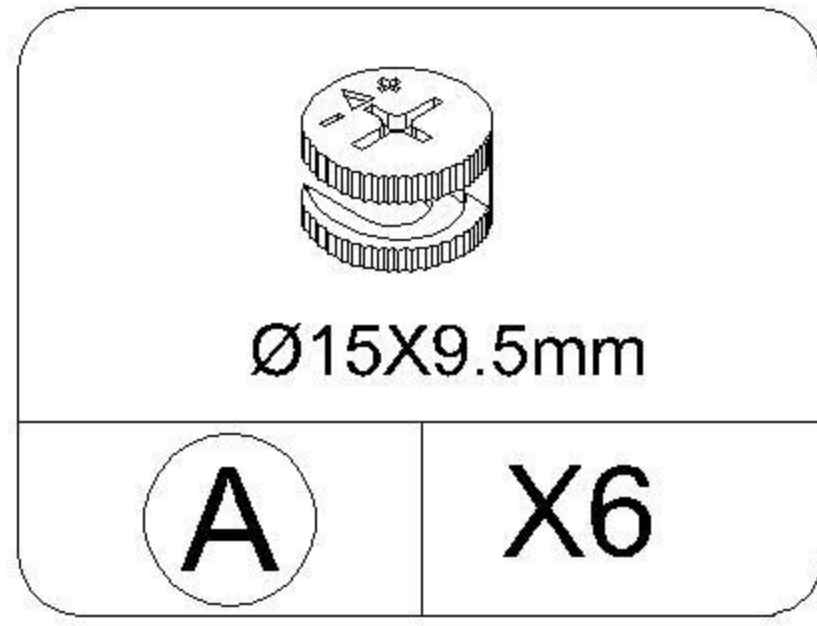
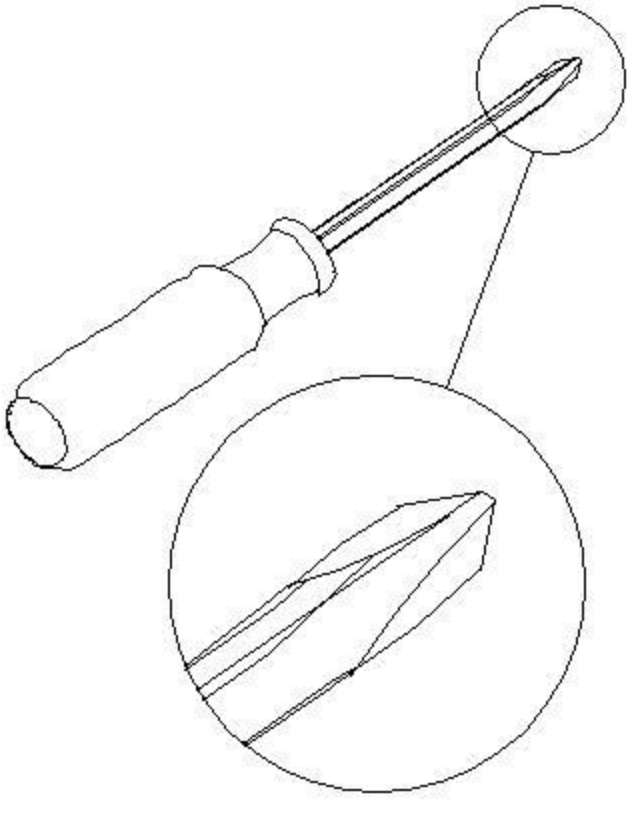


Proper orientation of CAM LOCK

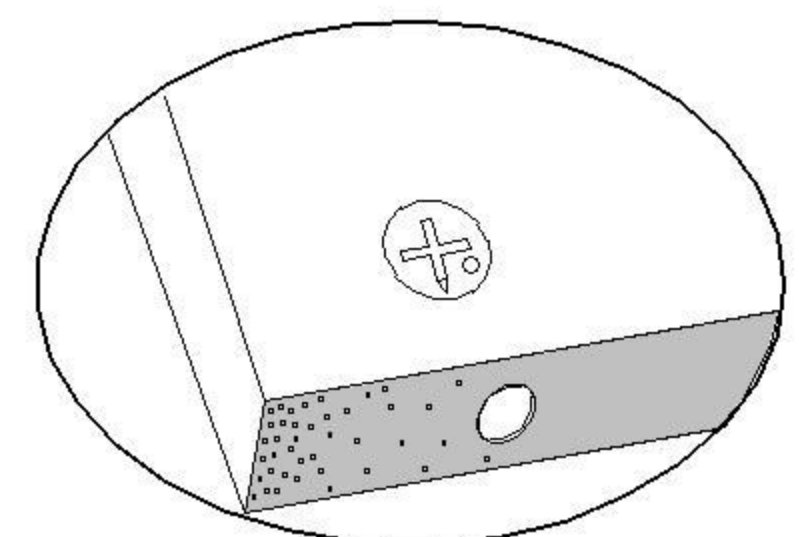
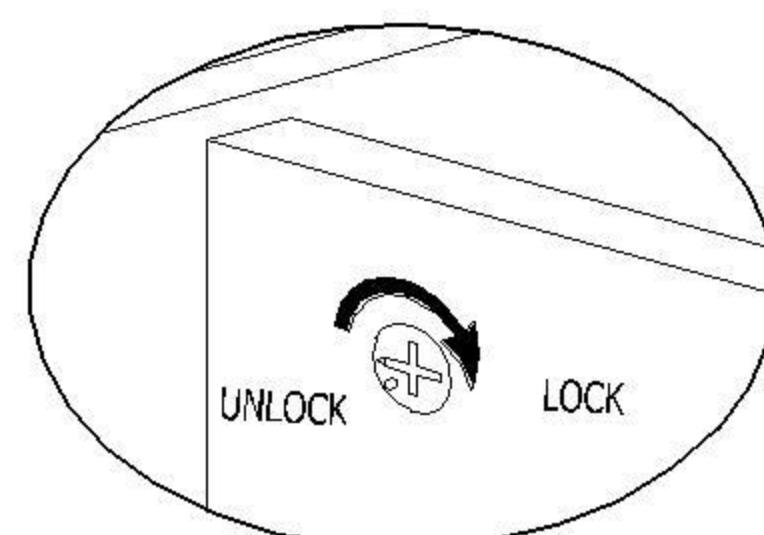
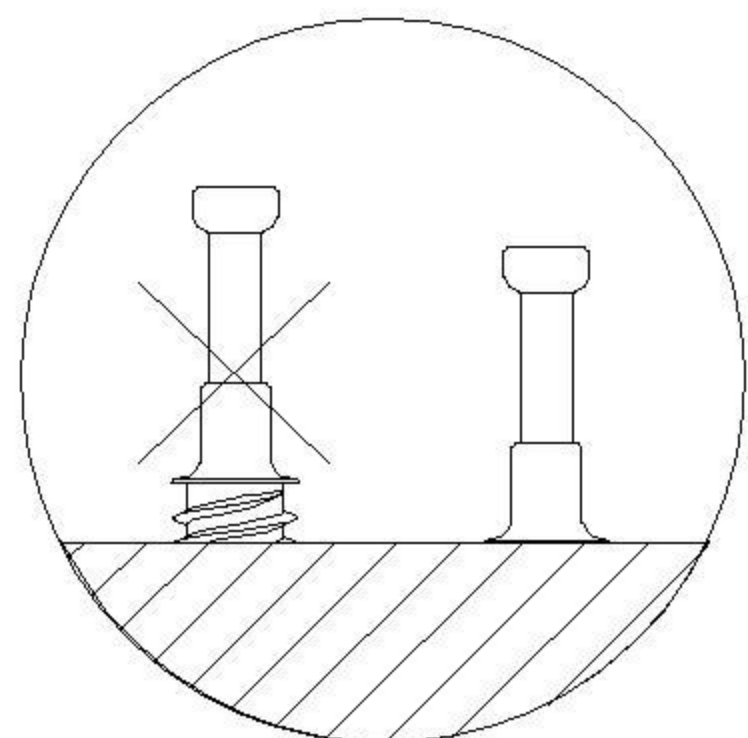
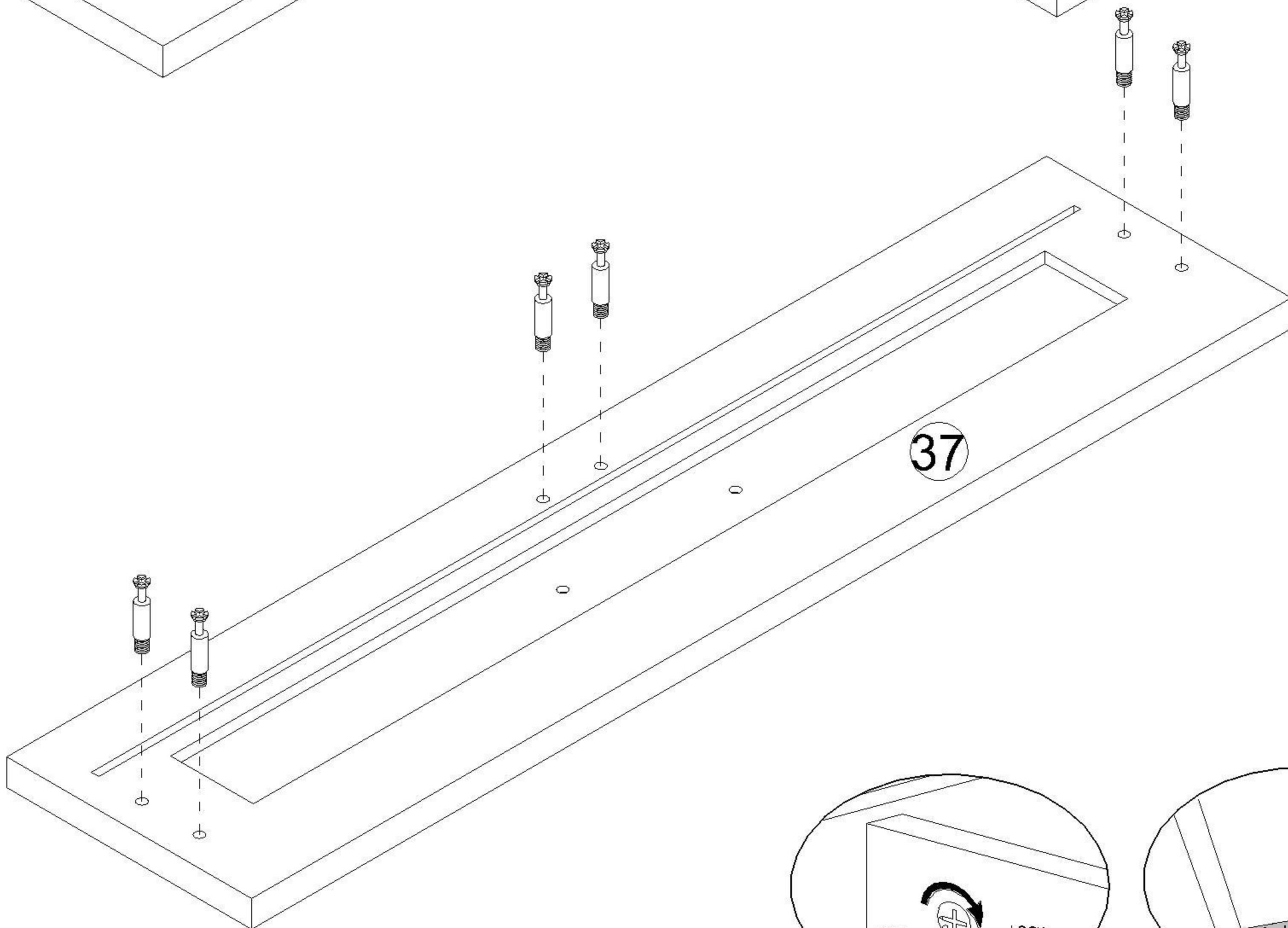
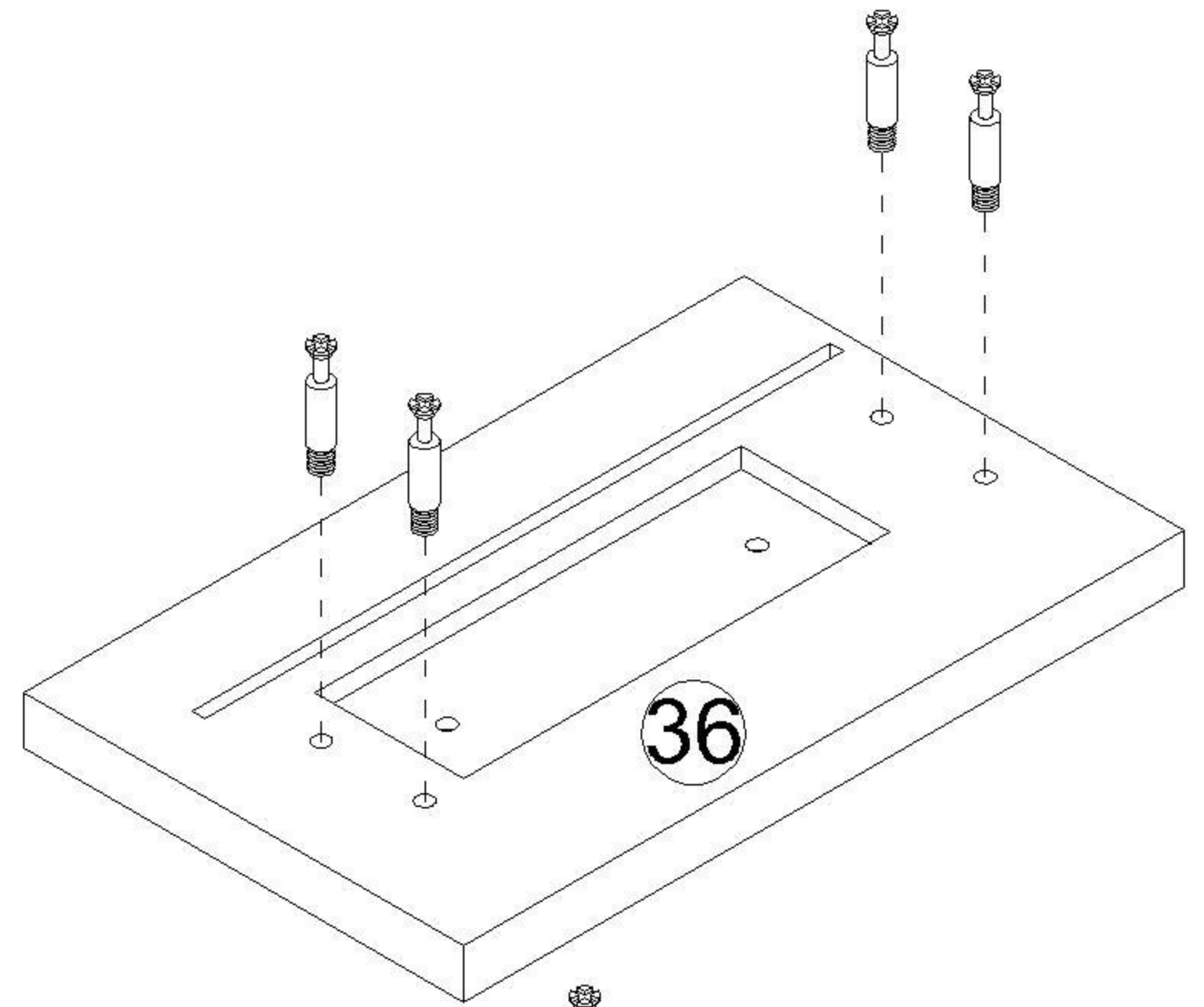
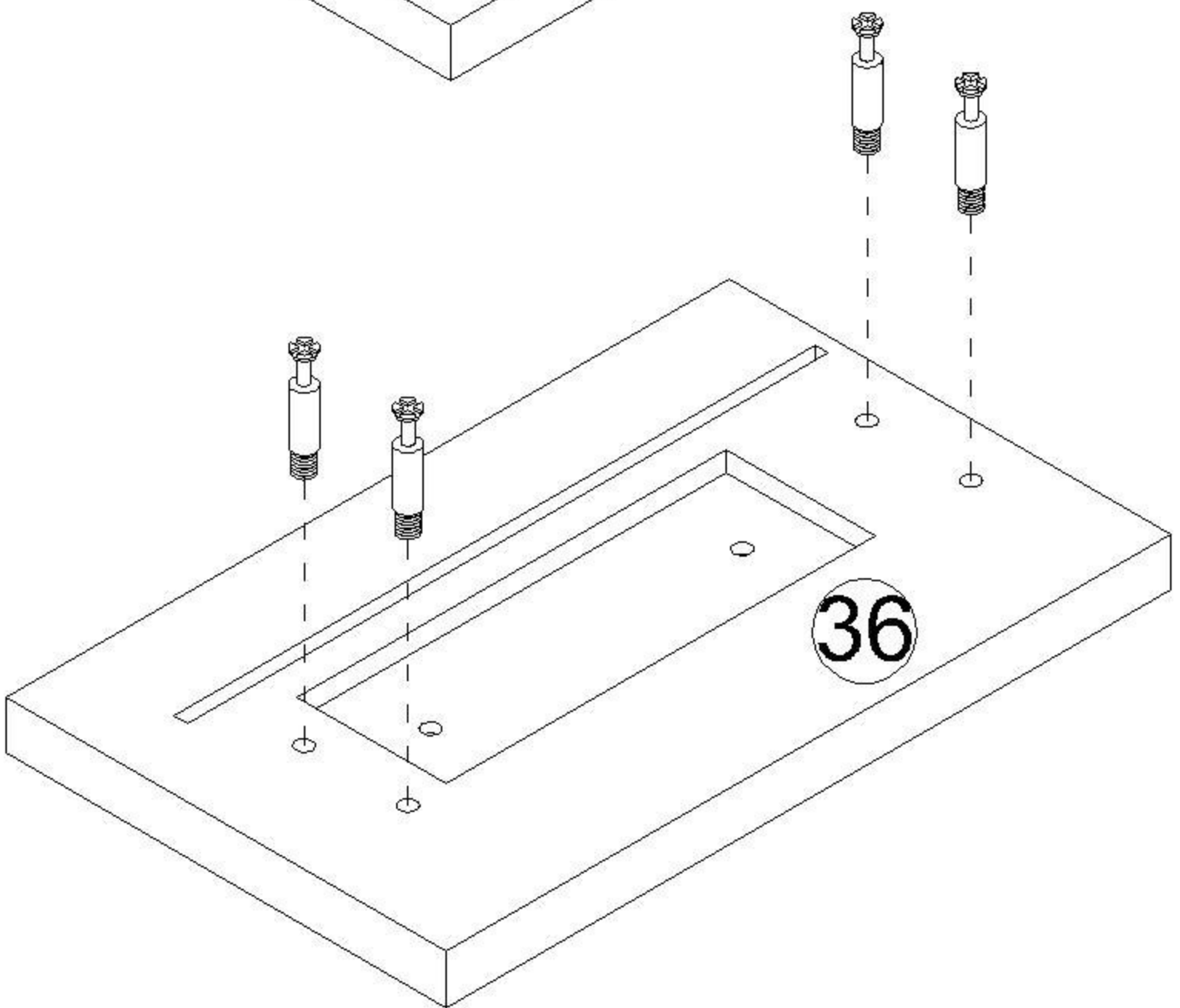
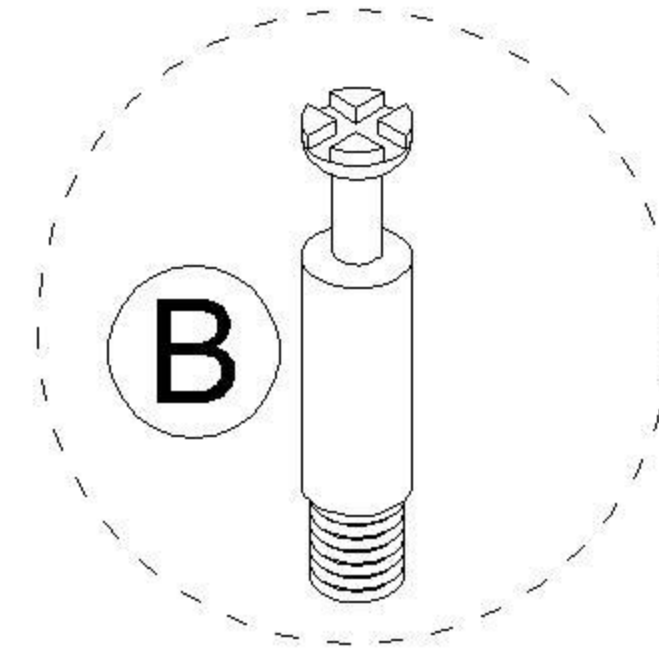
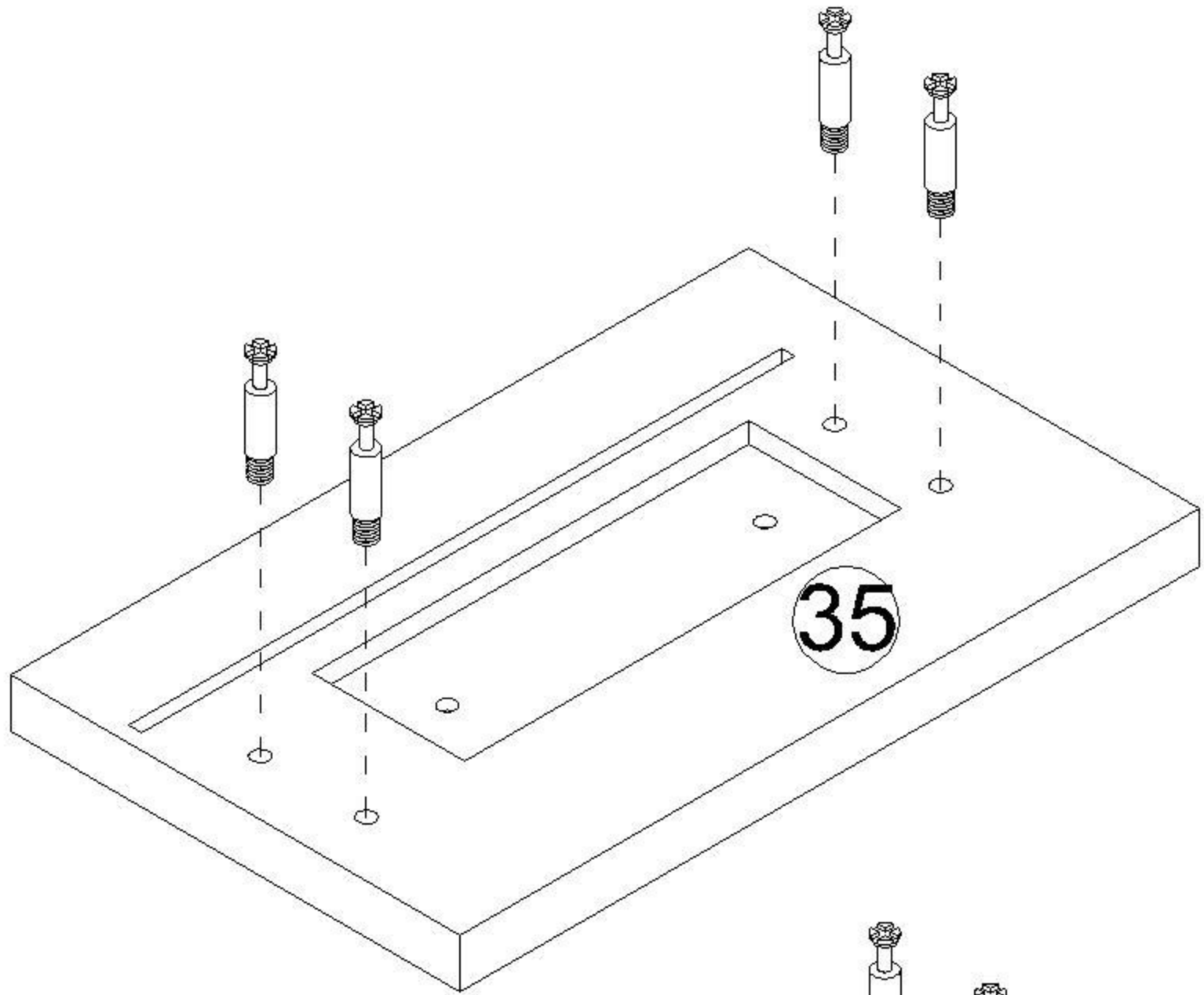
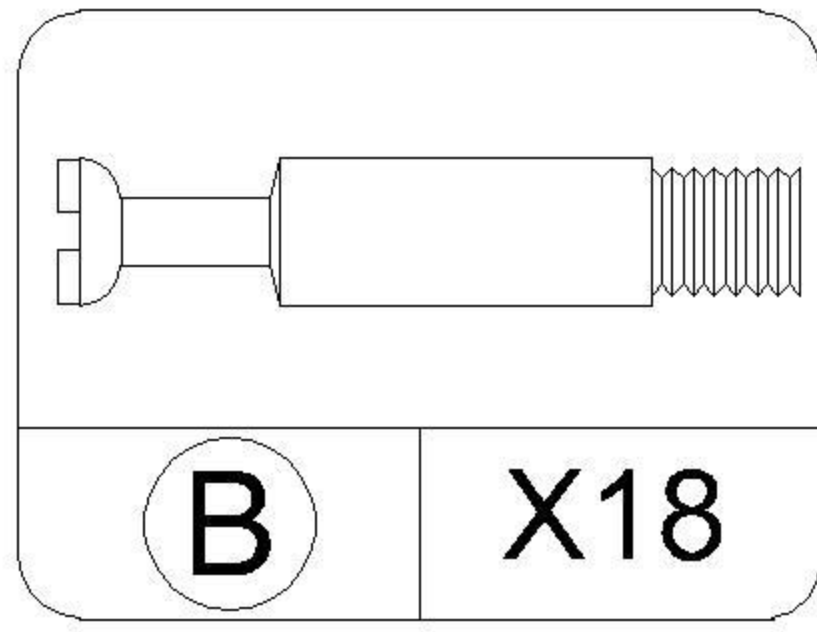
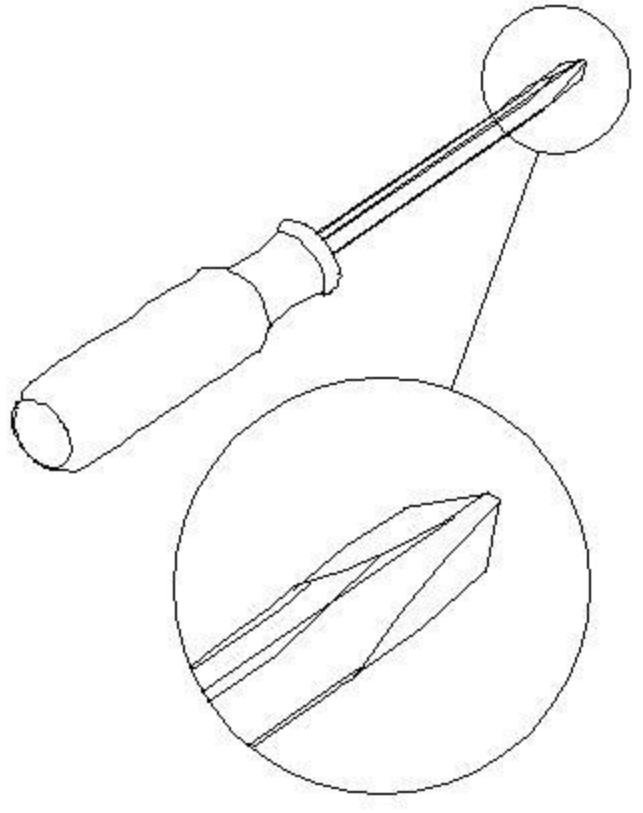
STEP 36



STEP 37

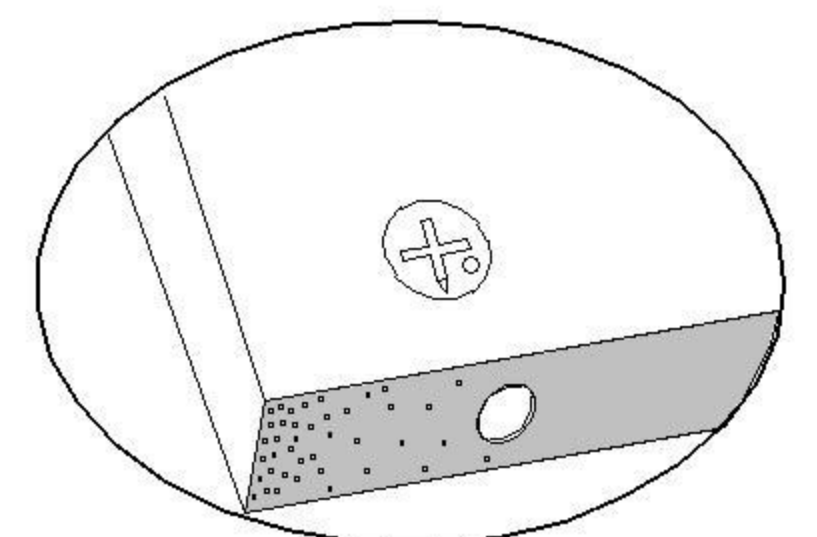
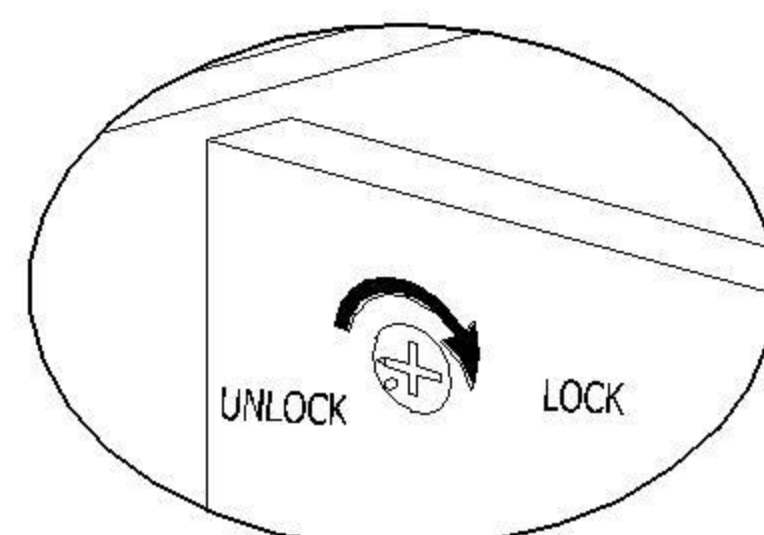
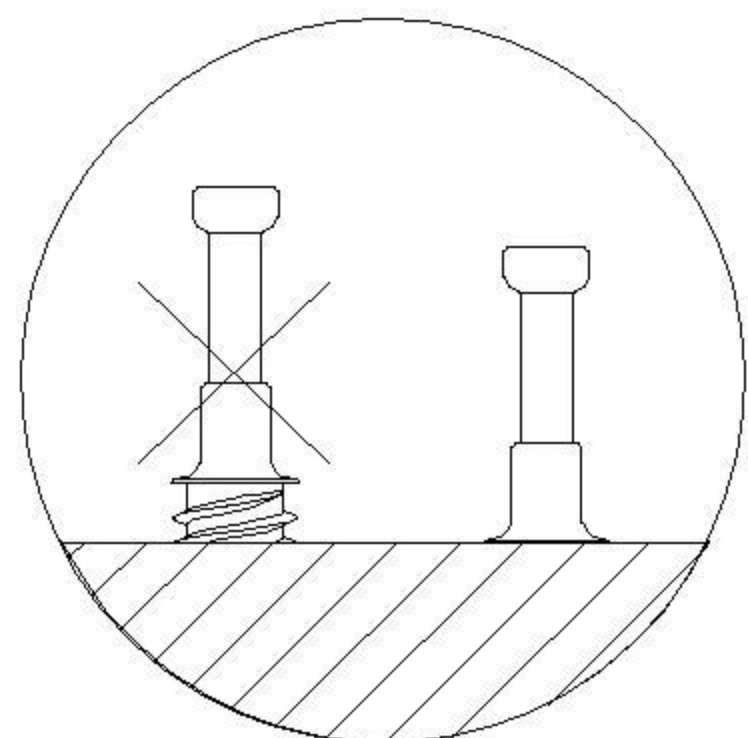
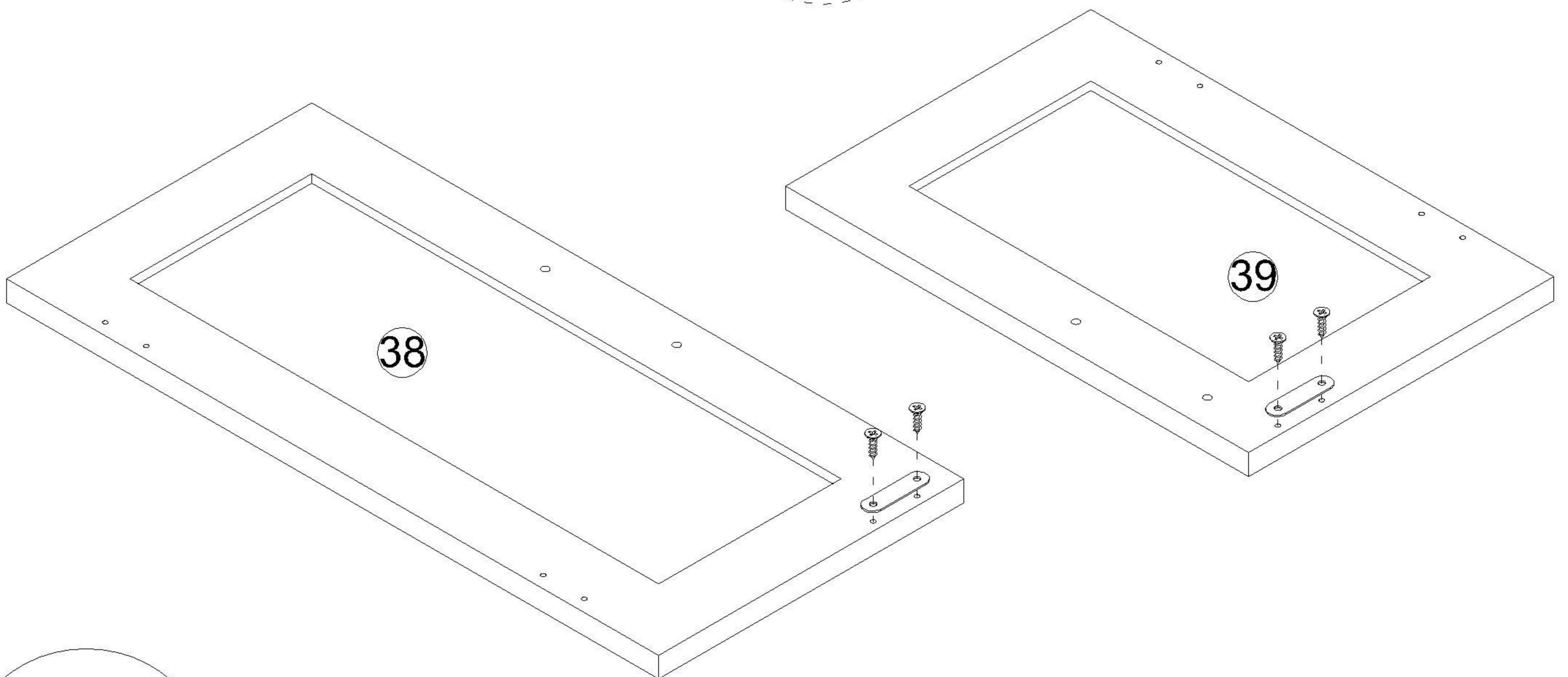
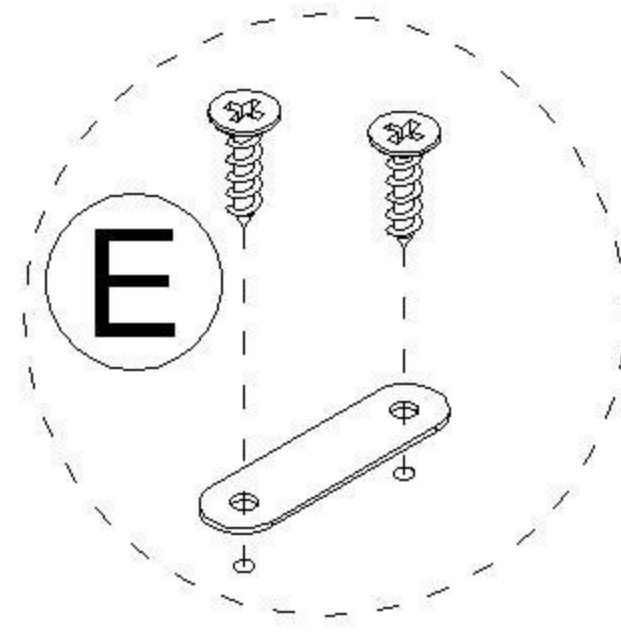
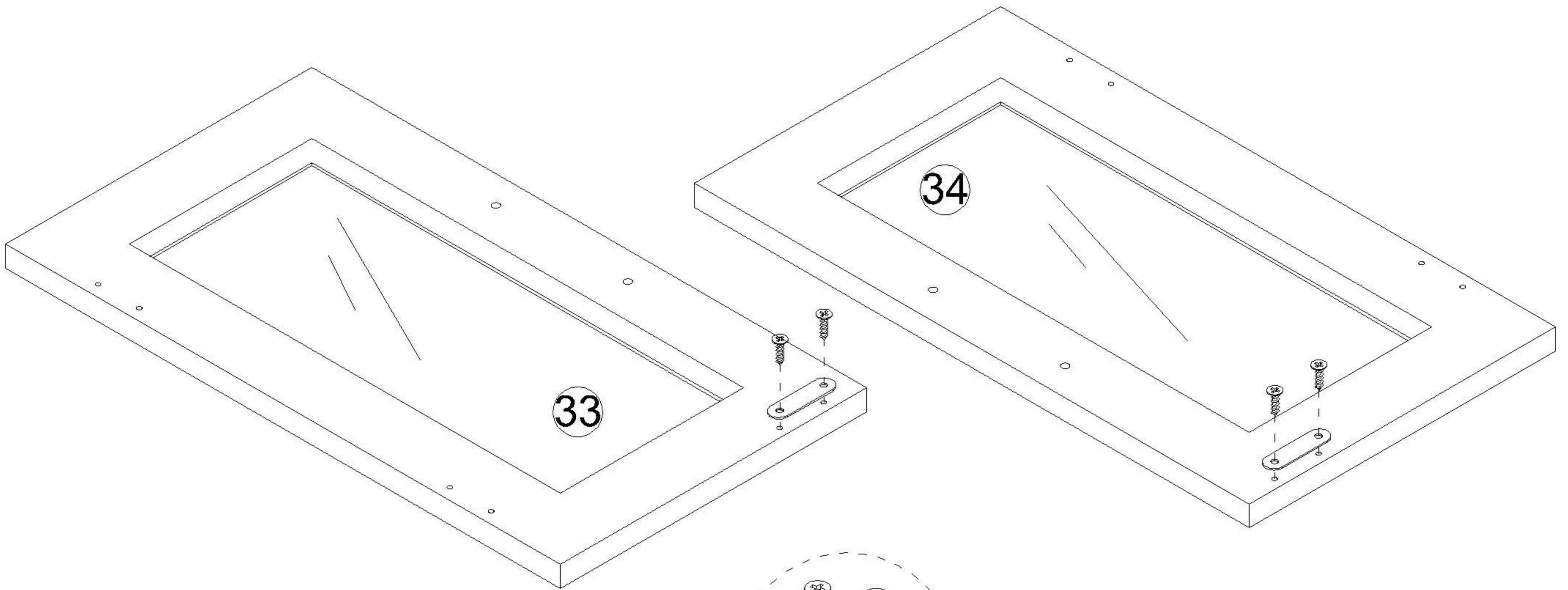
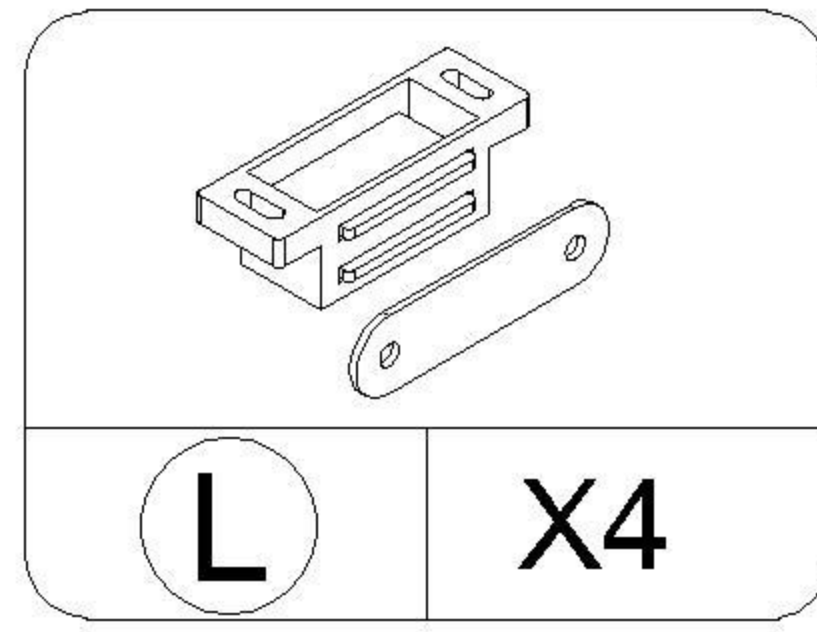
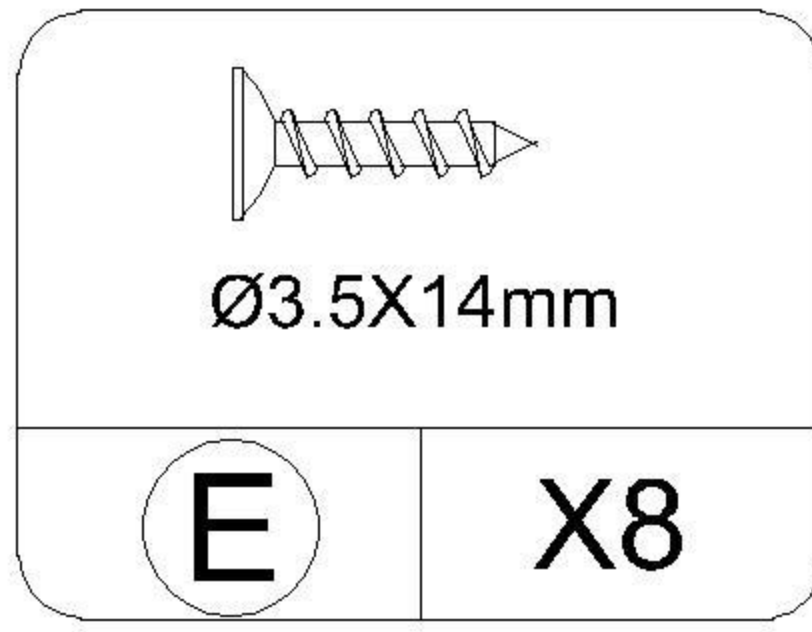
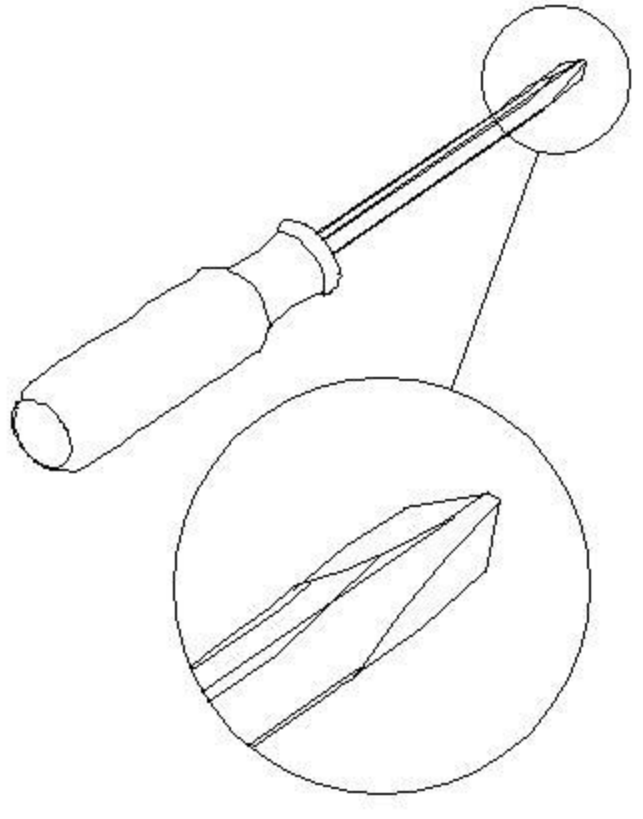


STEP 38



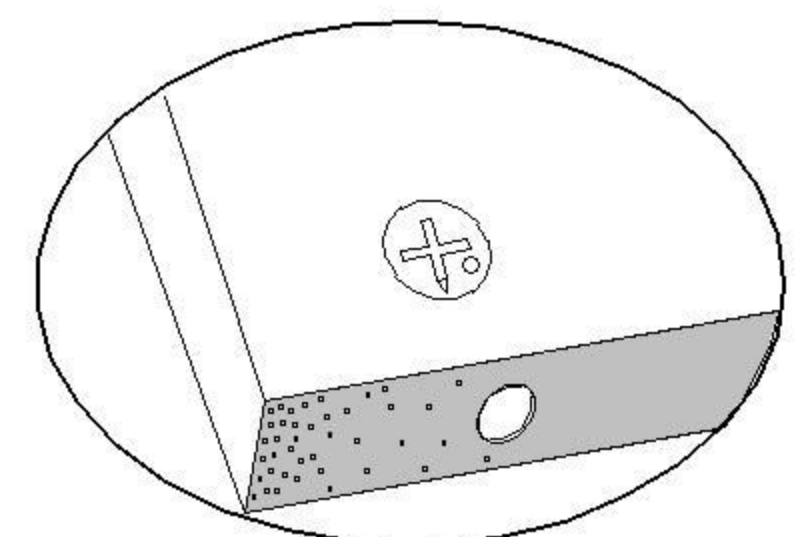
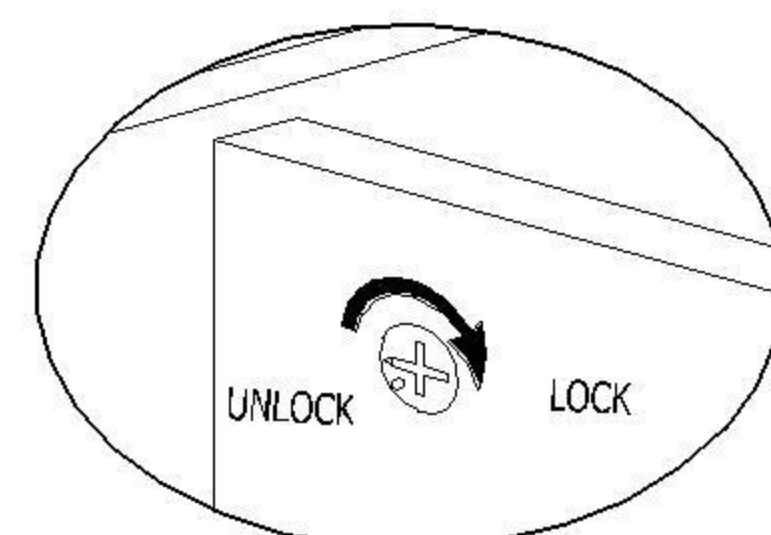
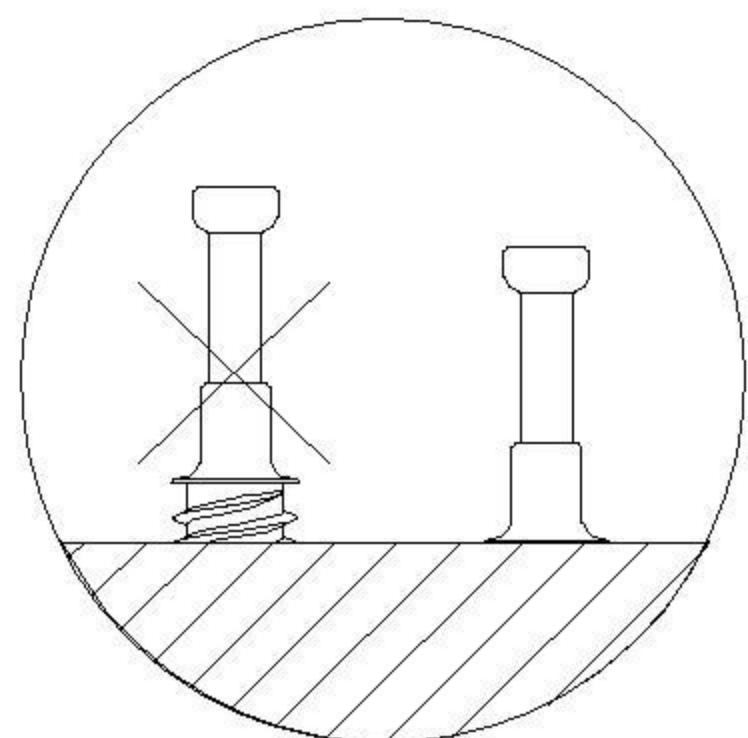
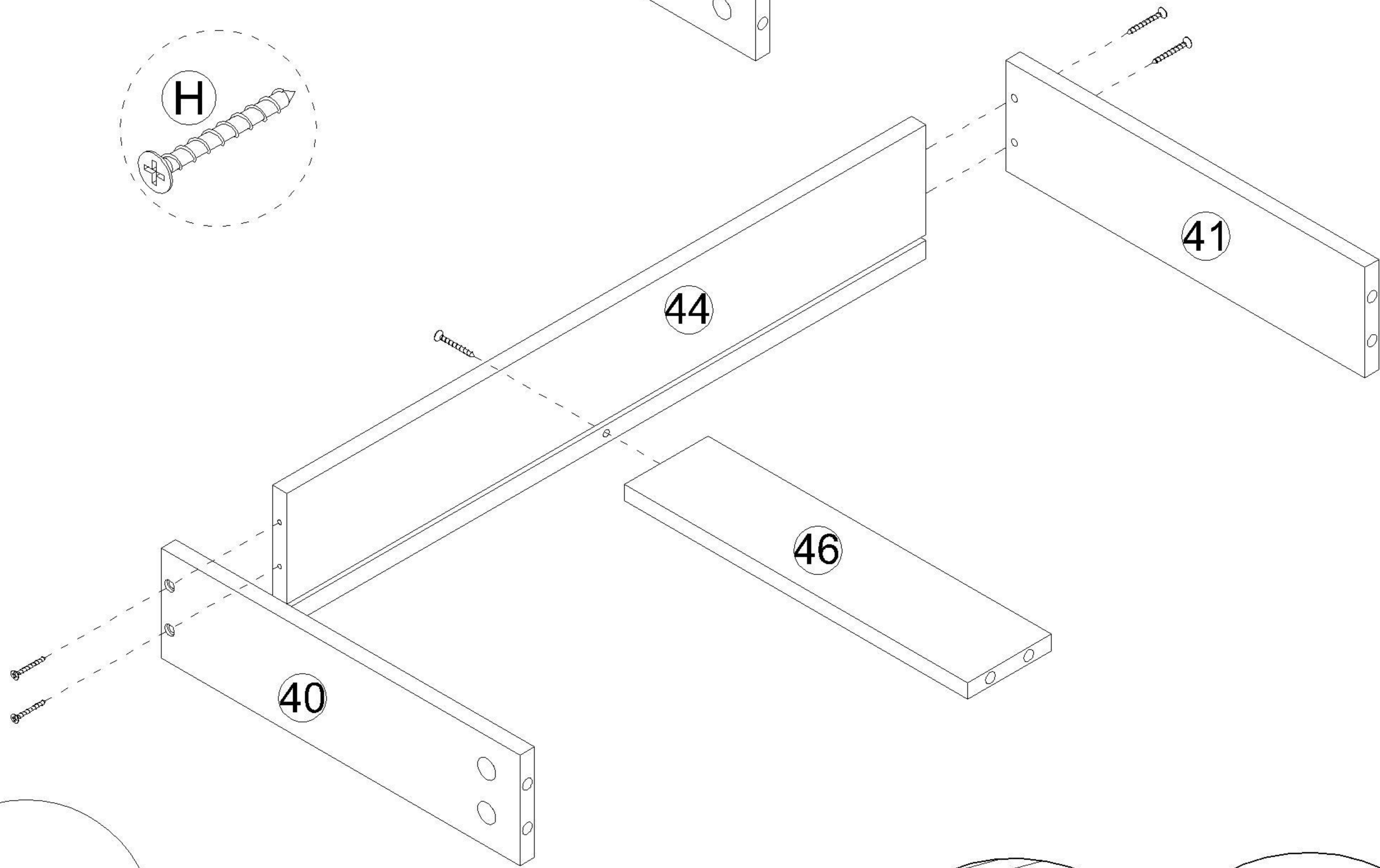
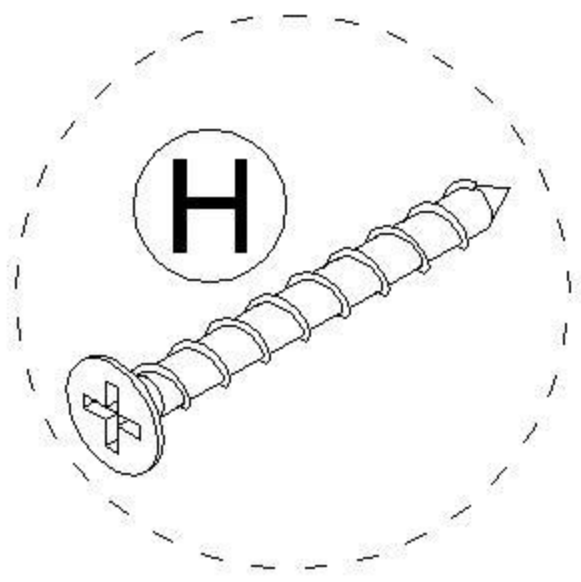
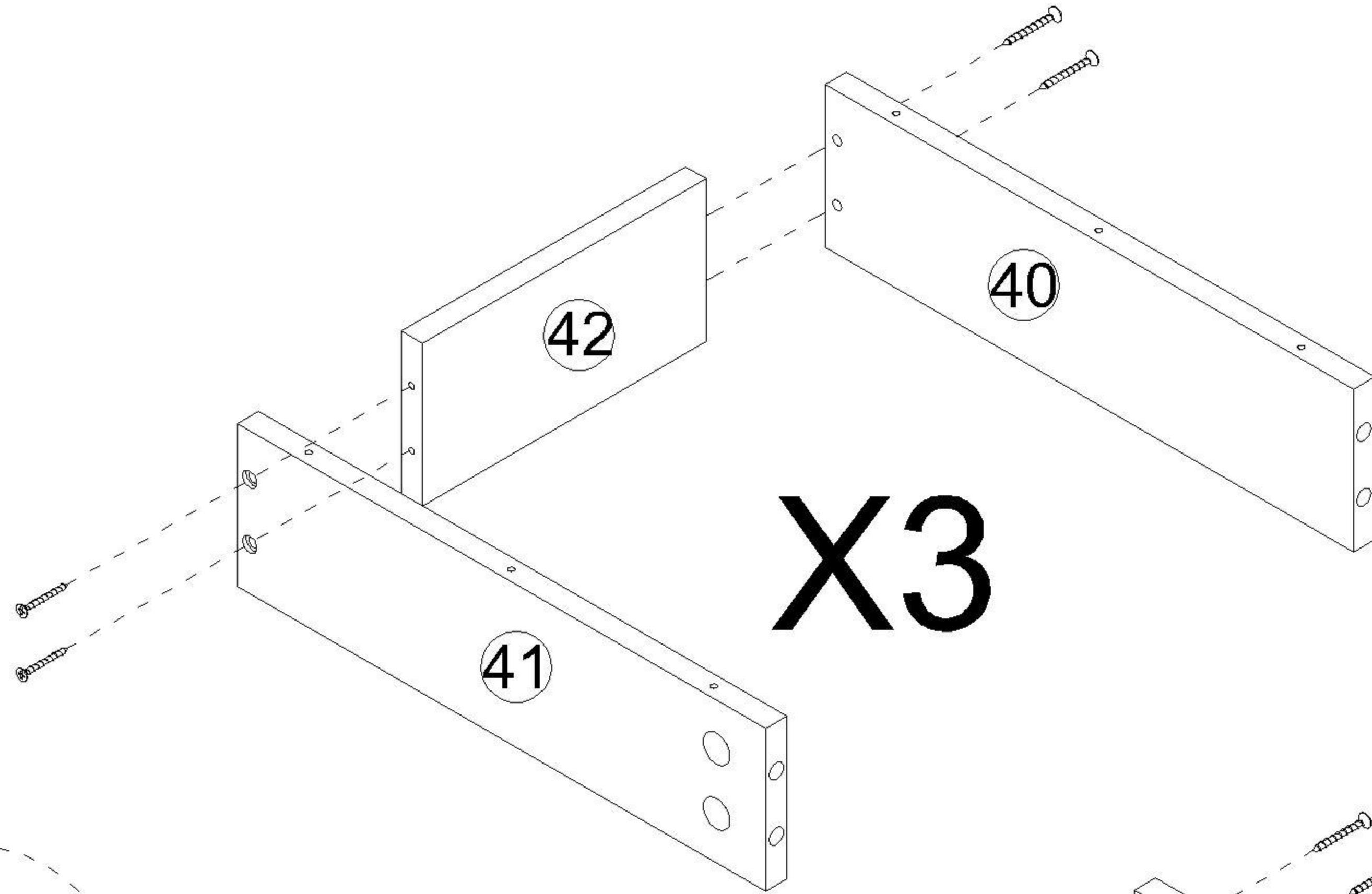
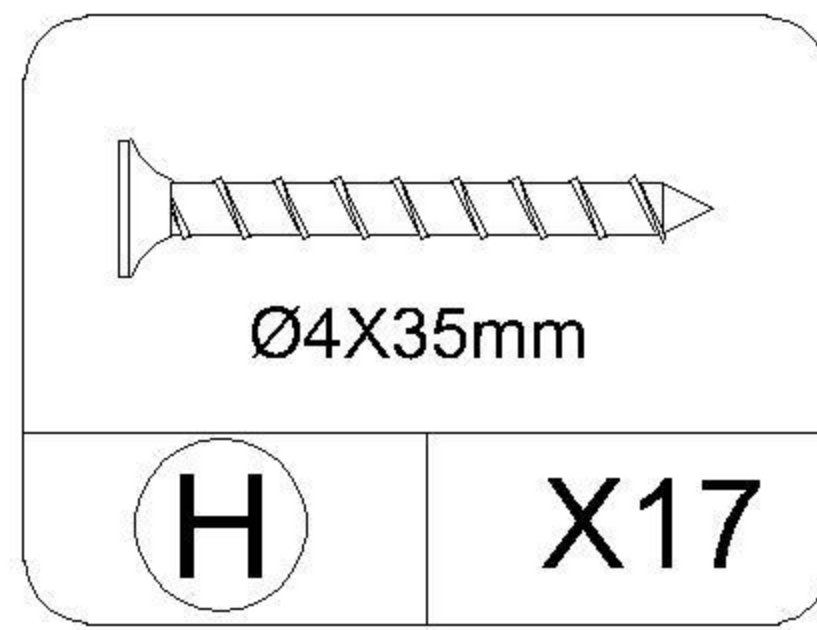
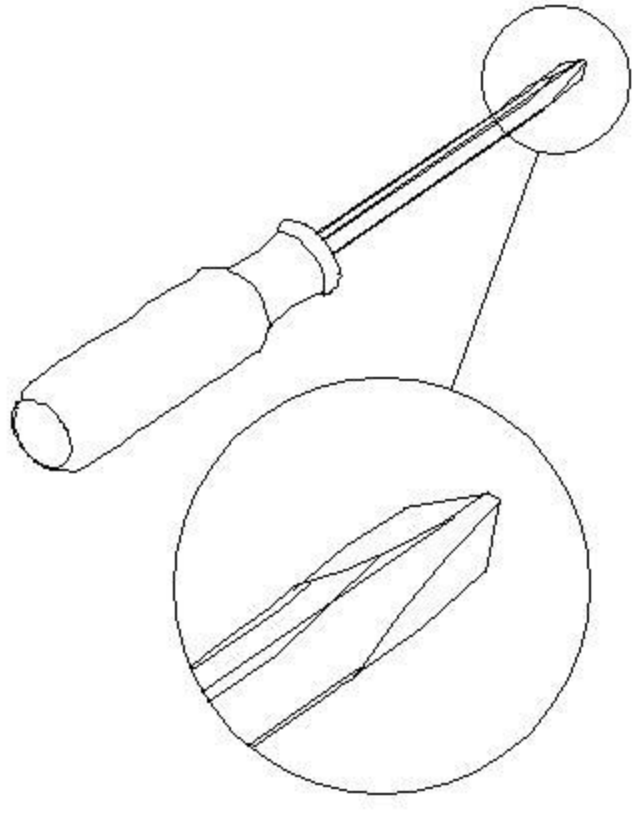
Proper orientation of CAM LOCK

STEP 39



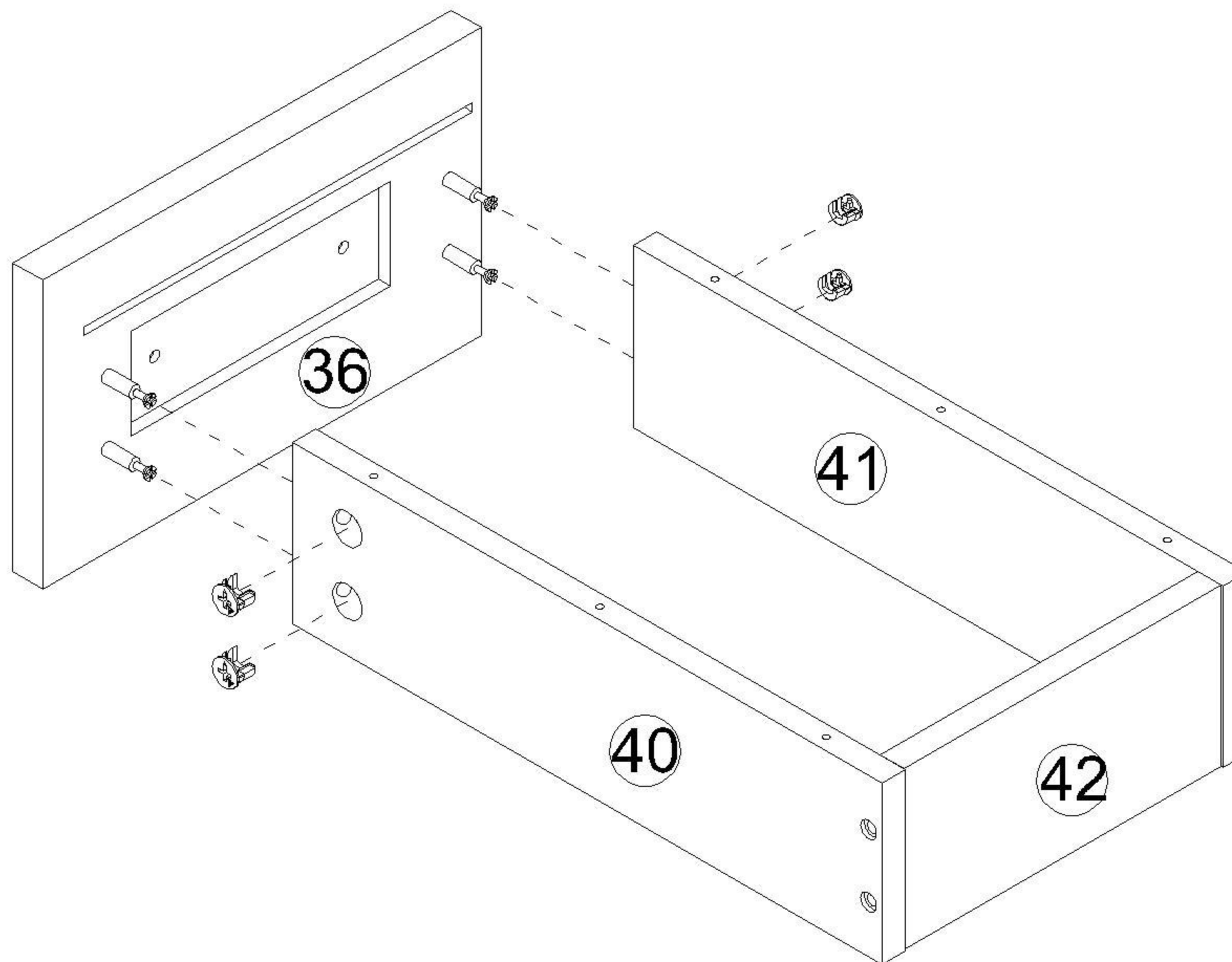
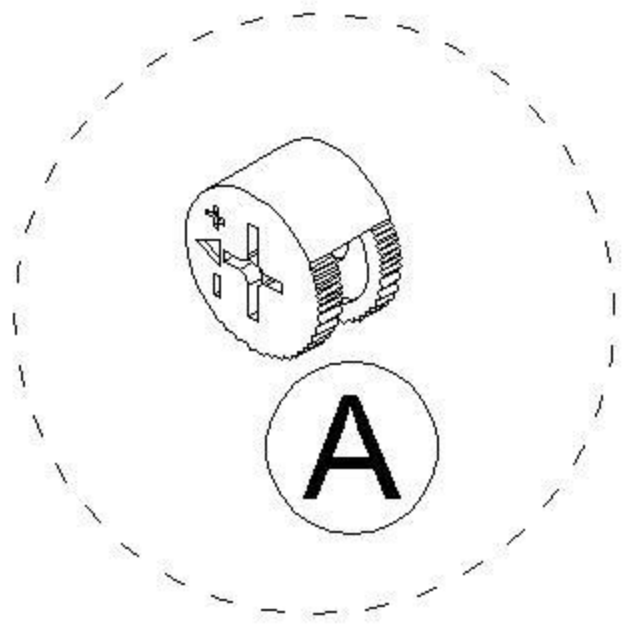
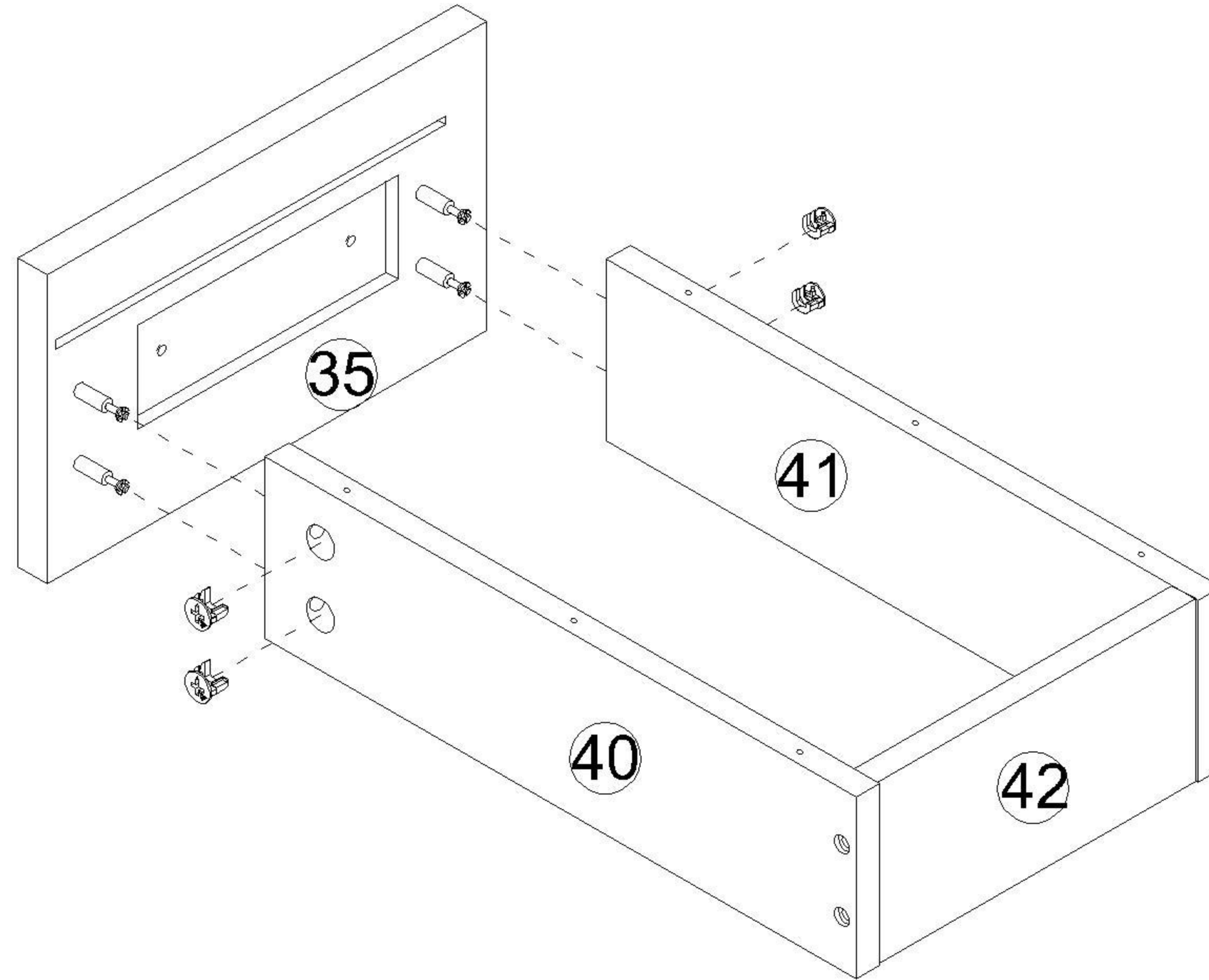
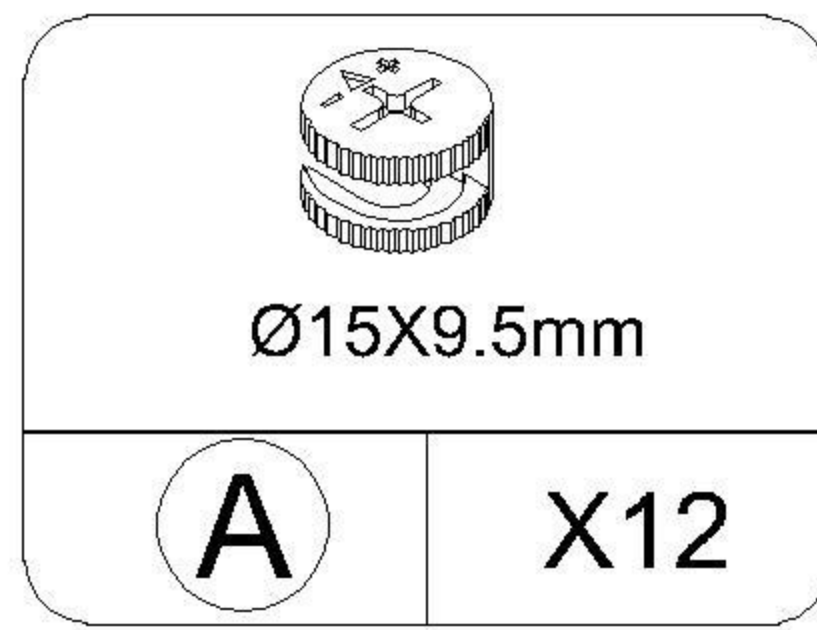
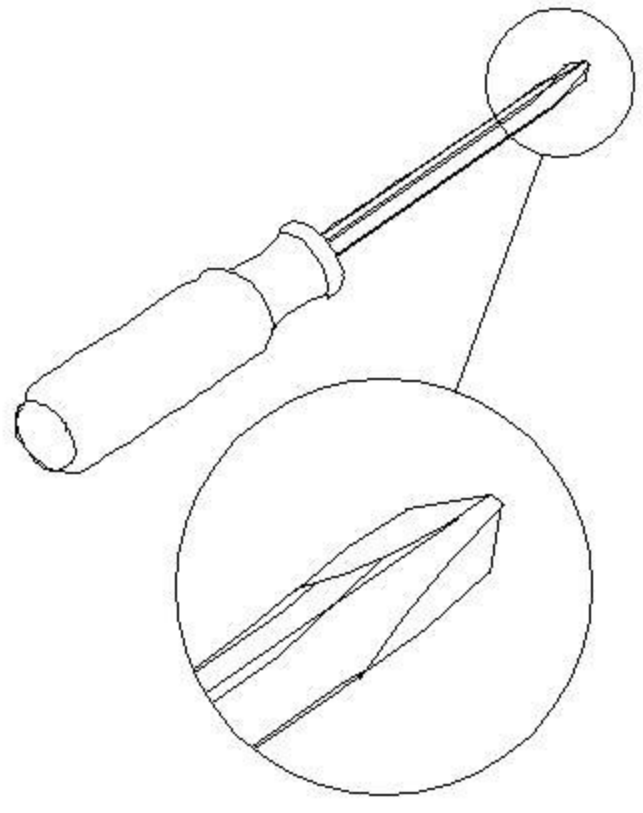
Proper orientation of CAM LOCK

STEP40

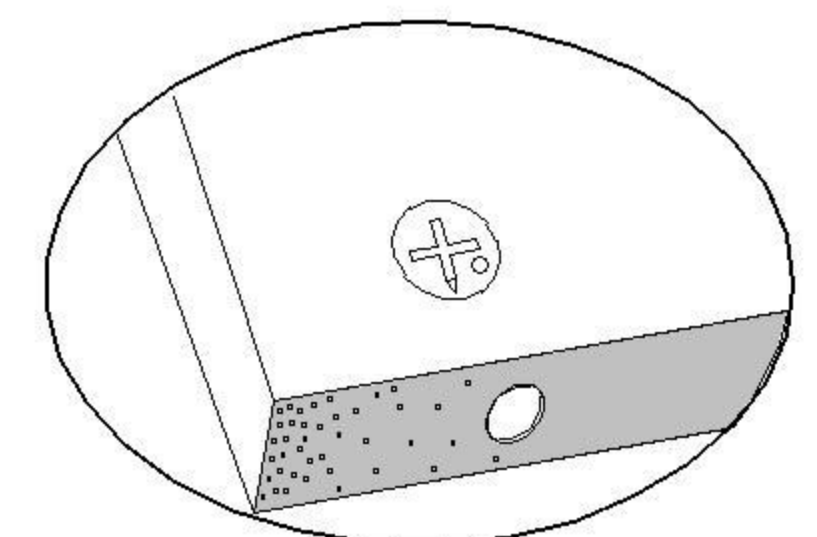
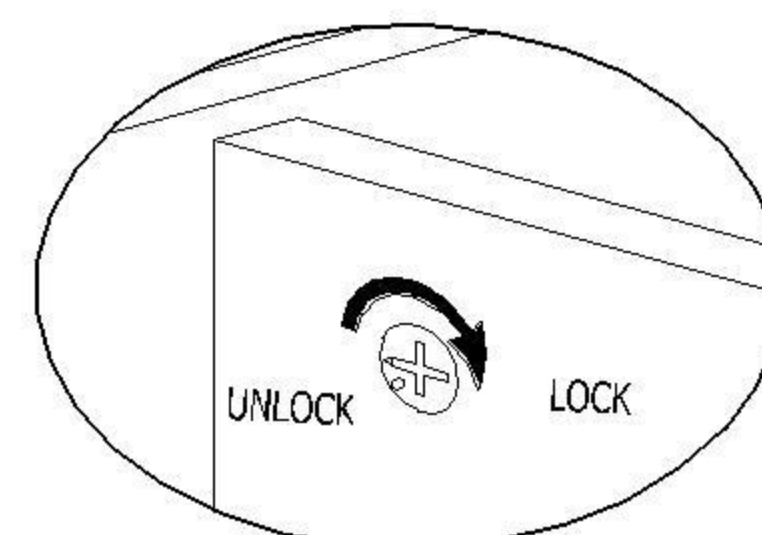
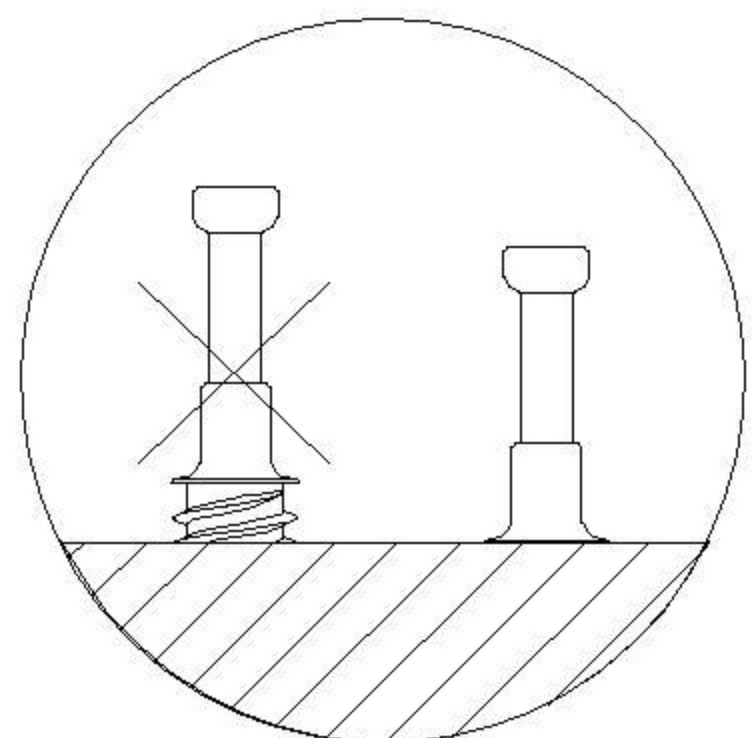


Proper orientation of CAM LOCK

STEP41

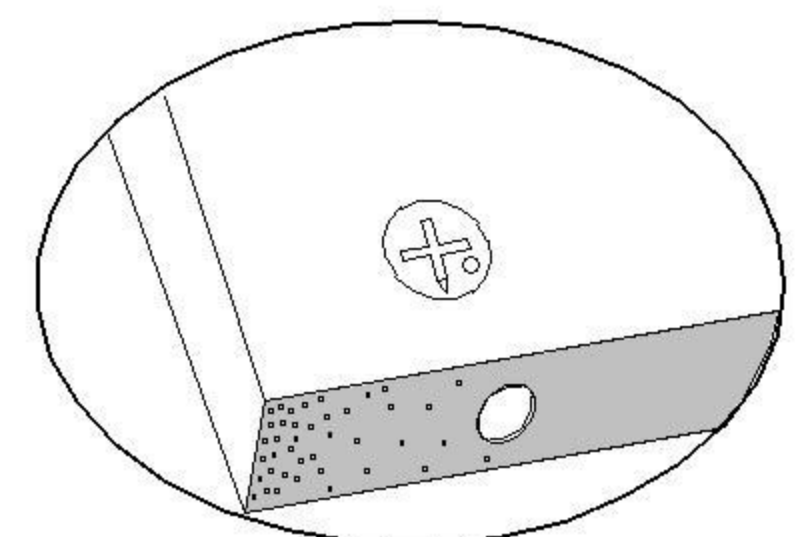
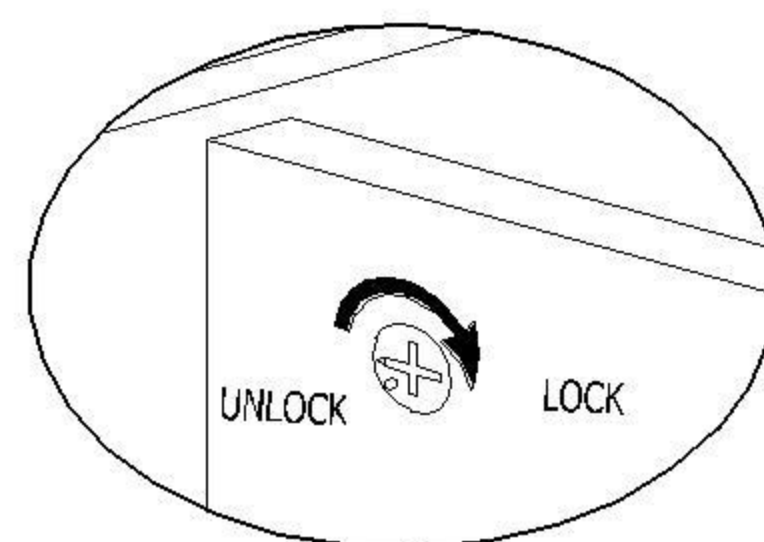
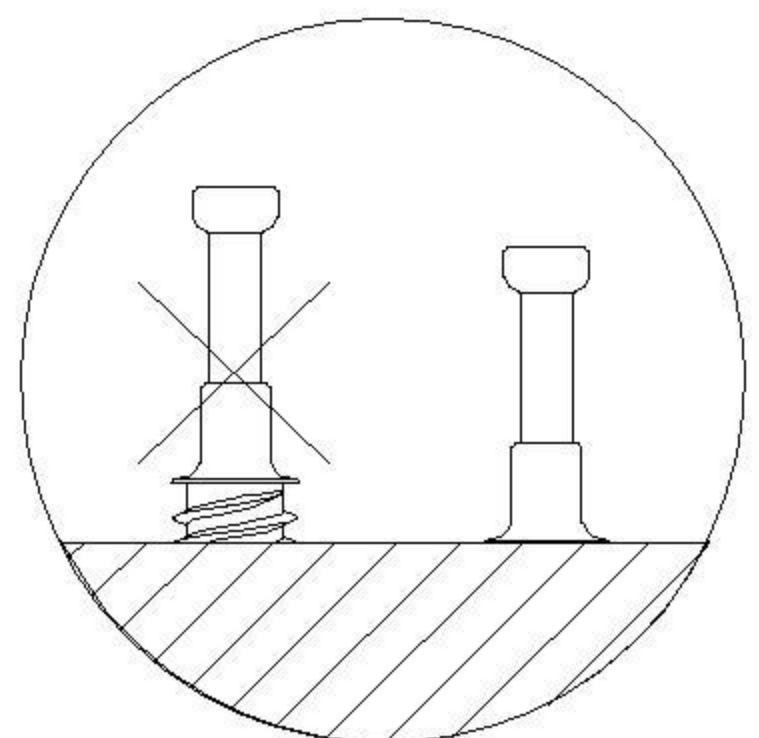
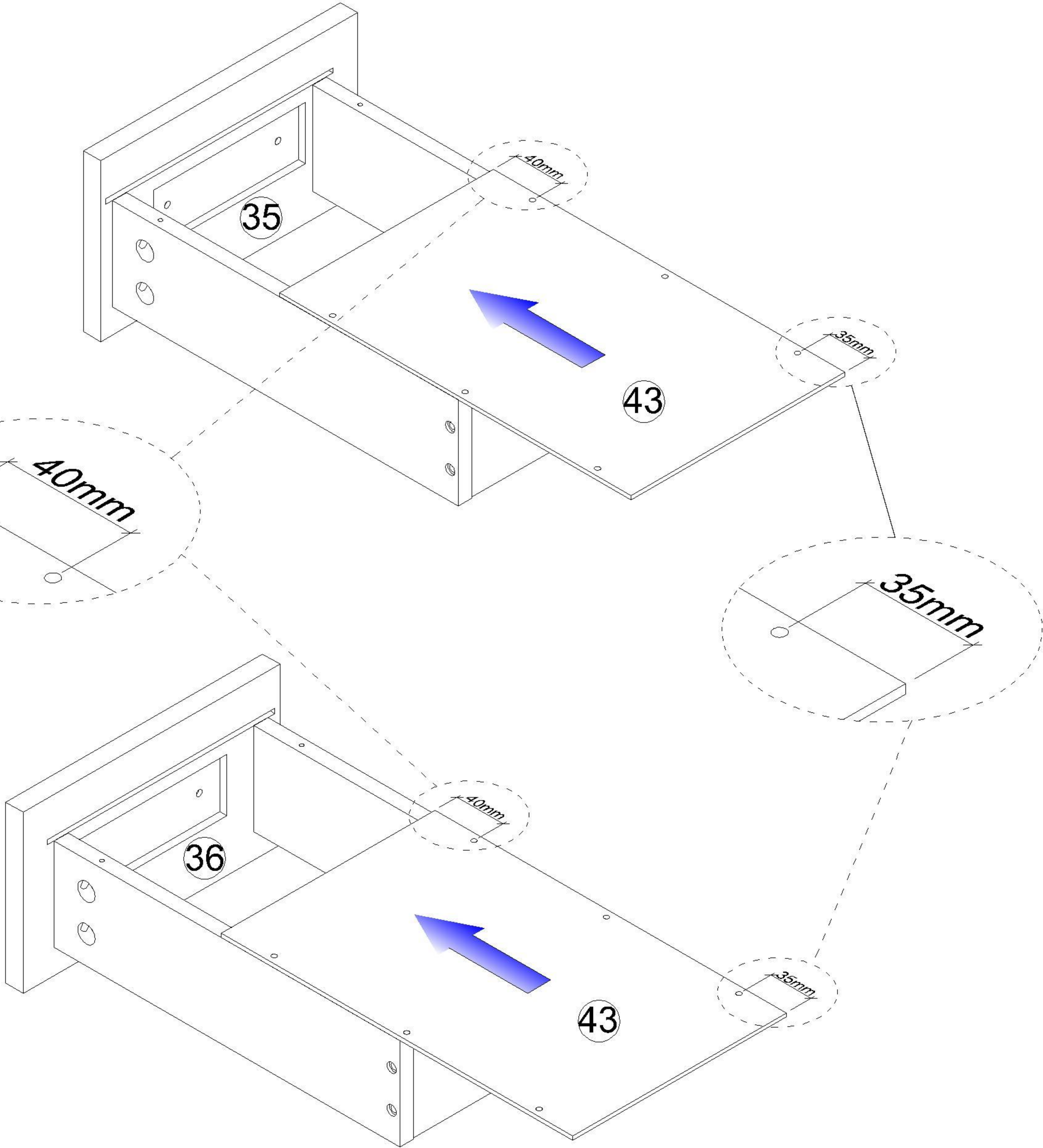
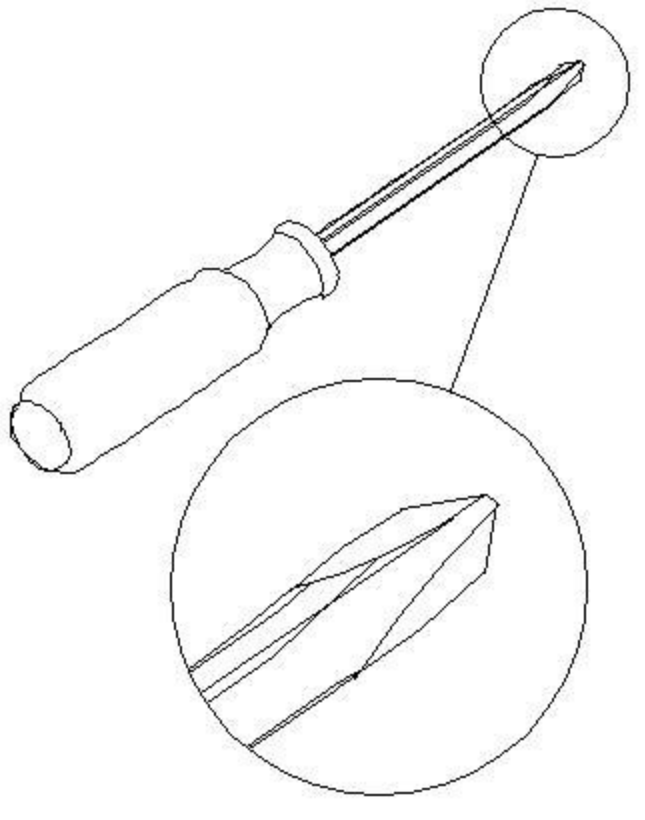


X2



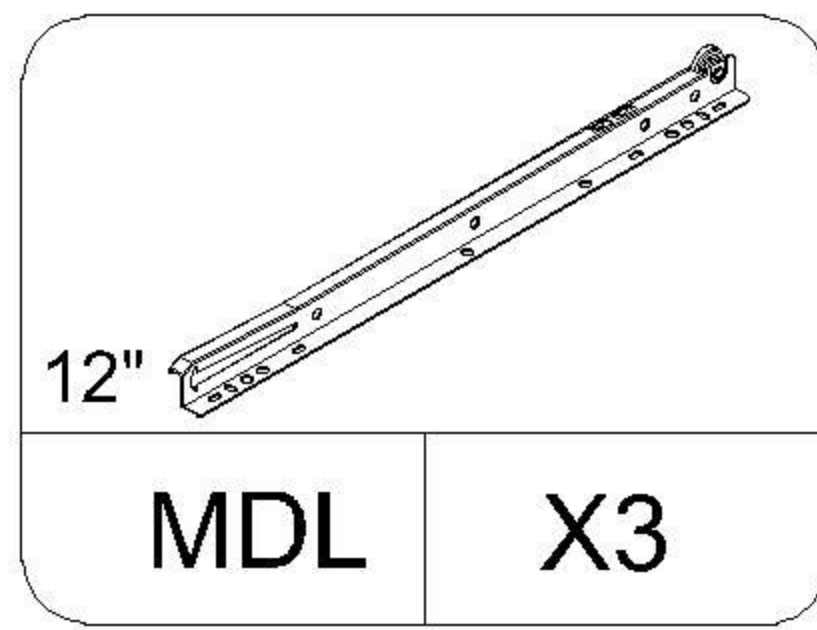
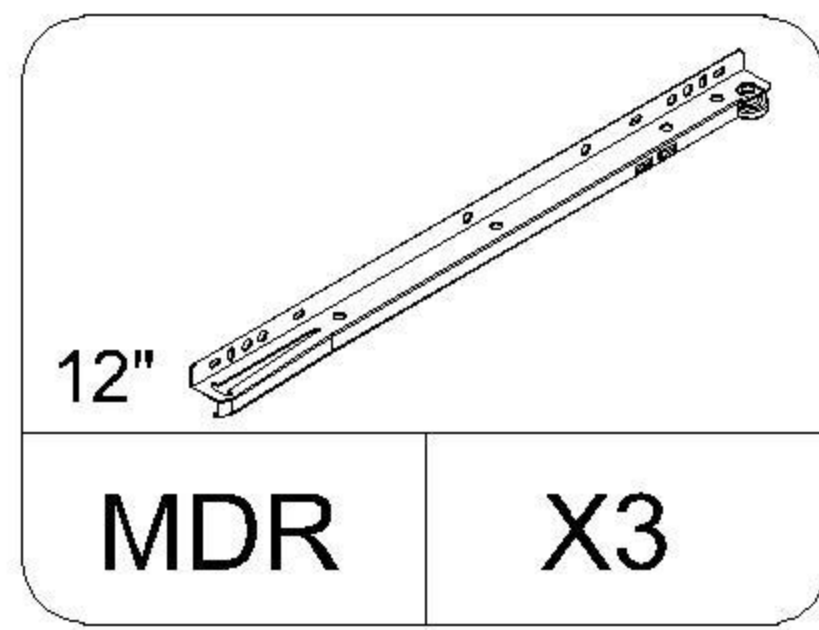
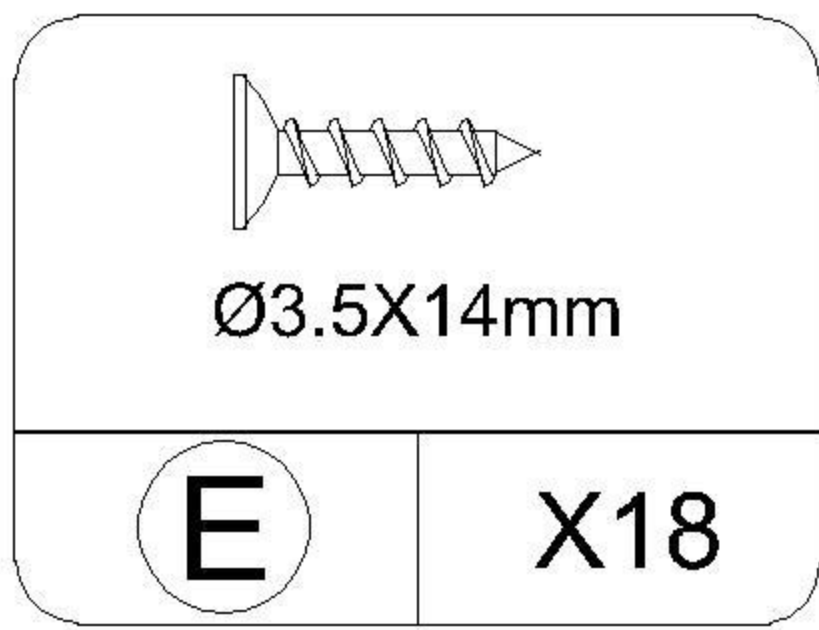
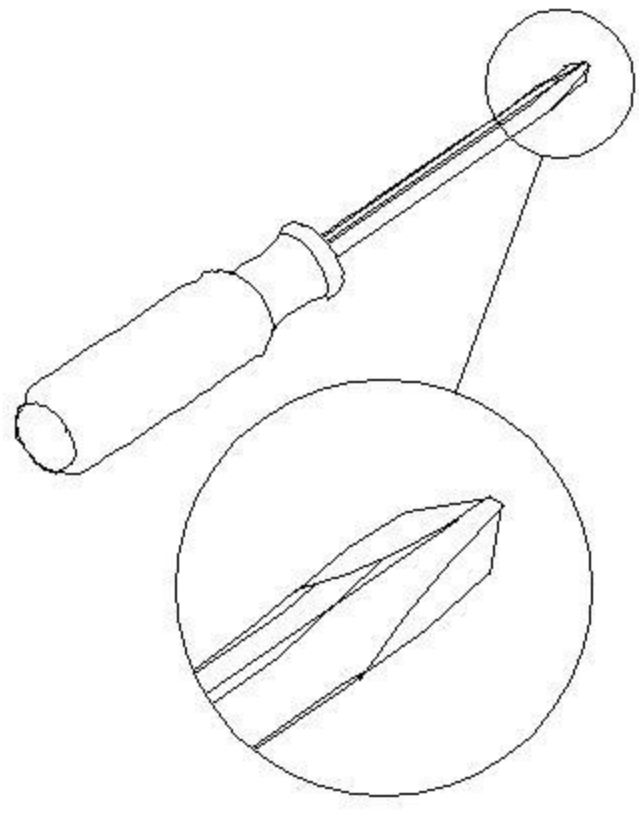
Proper orientation of CAM LOCK

STEP 42



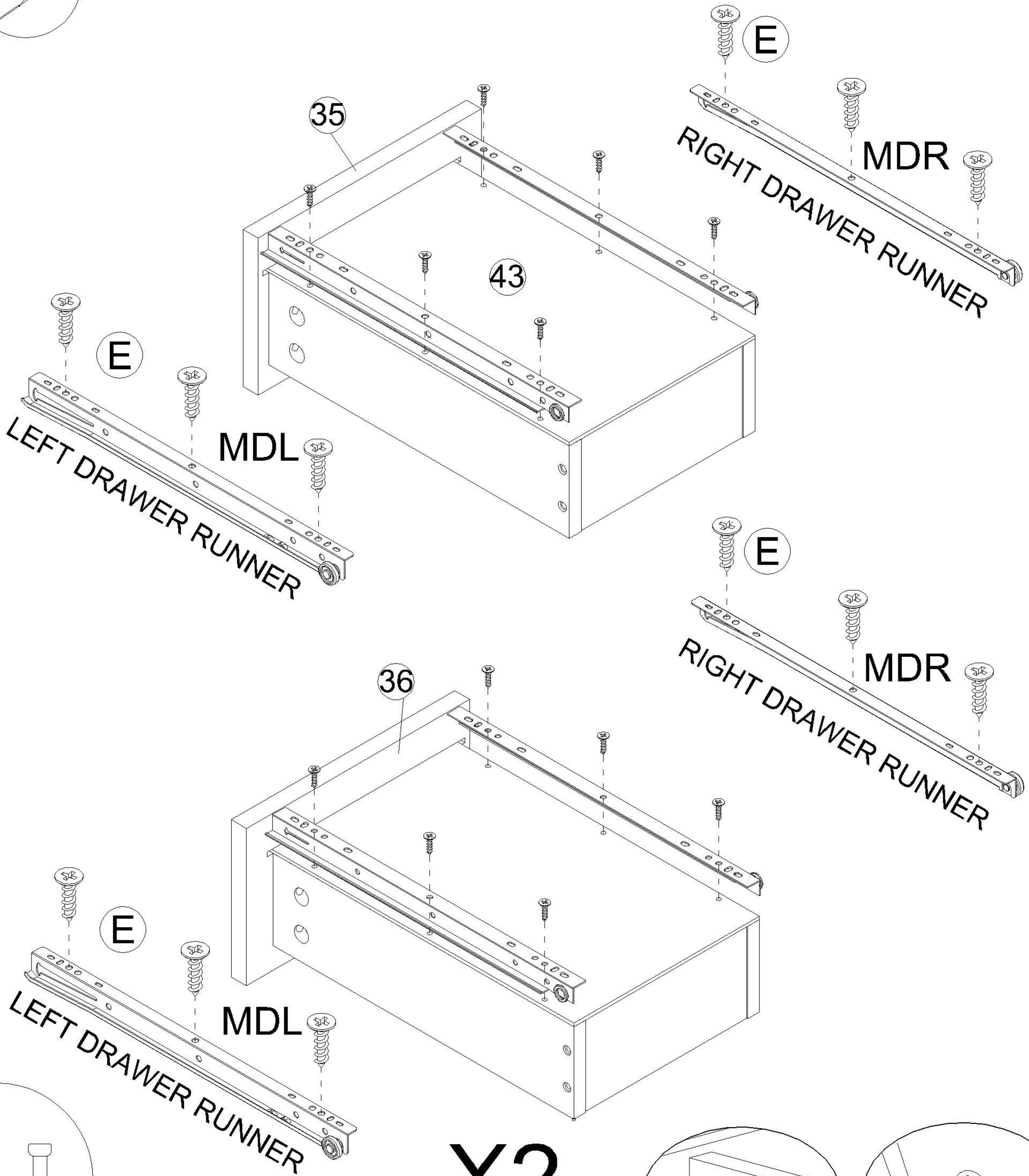
Proper orientation of CAM LOCK

STEP43

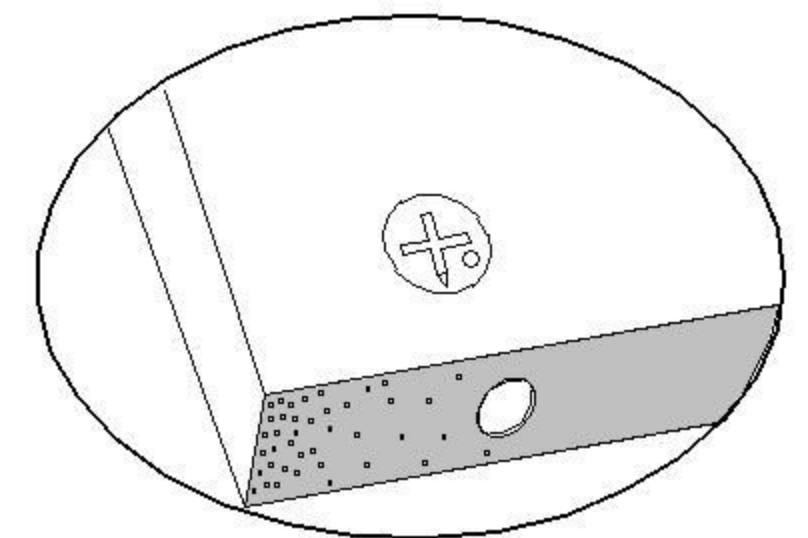
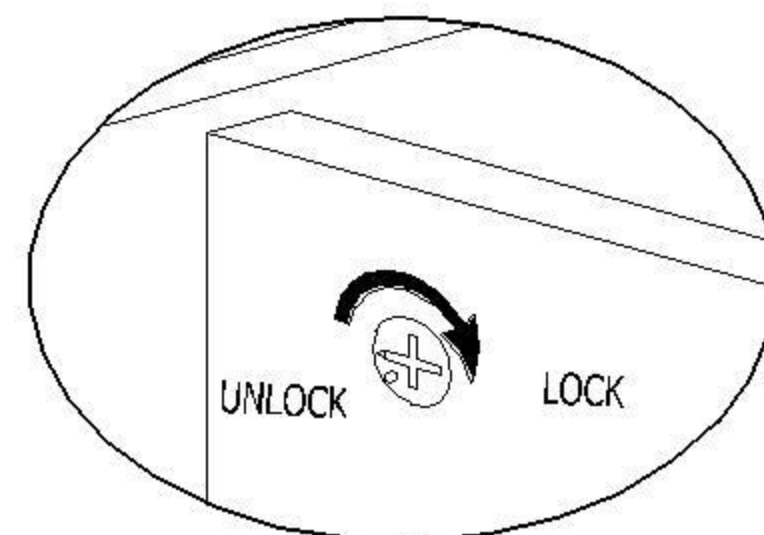
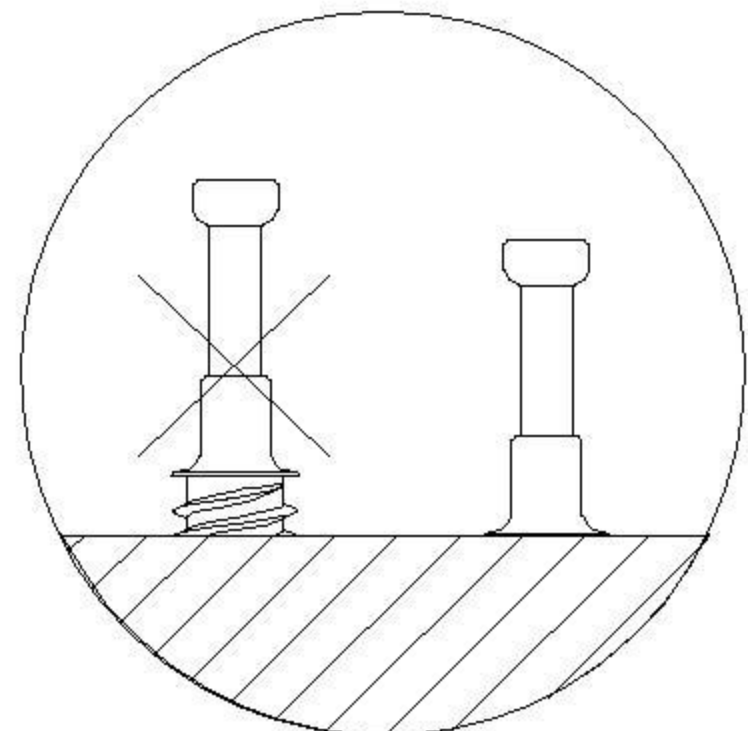


RIGHT DRAWER RUNNER

LEFT DRAWER RUNNER

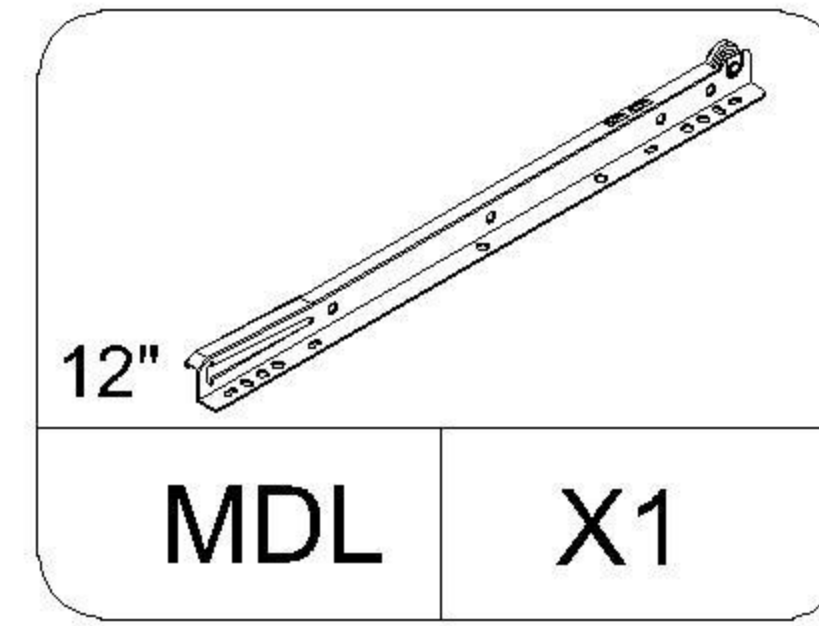
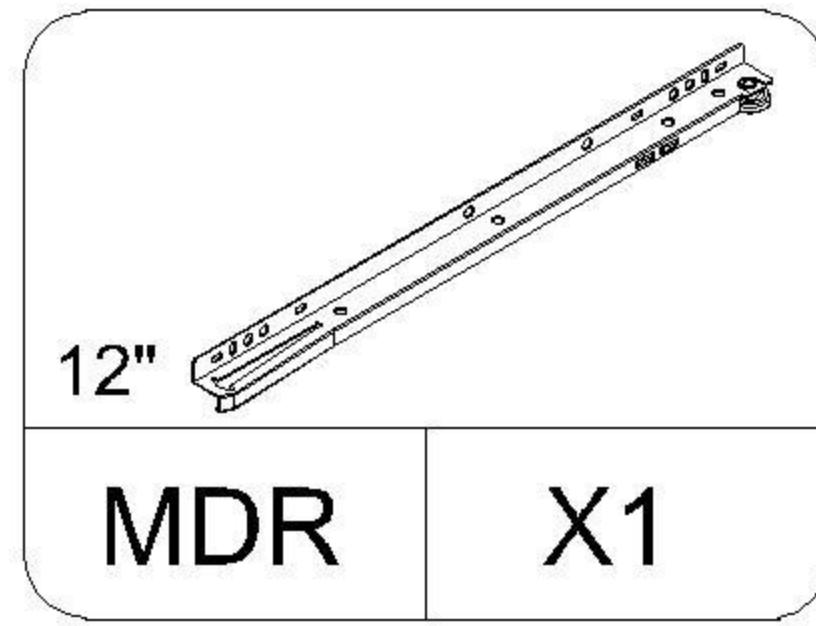
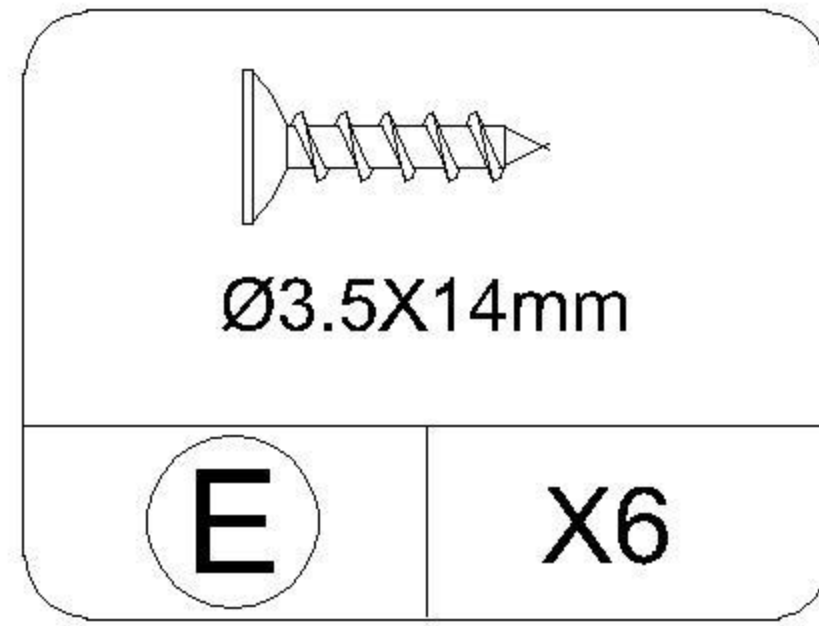
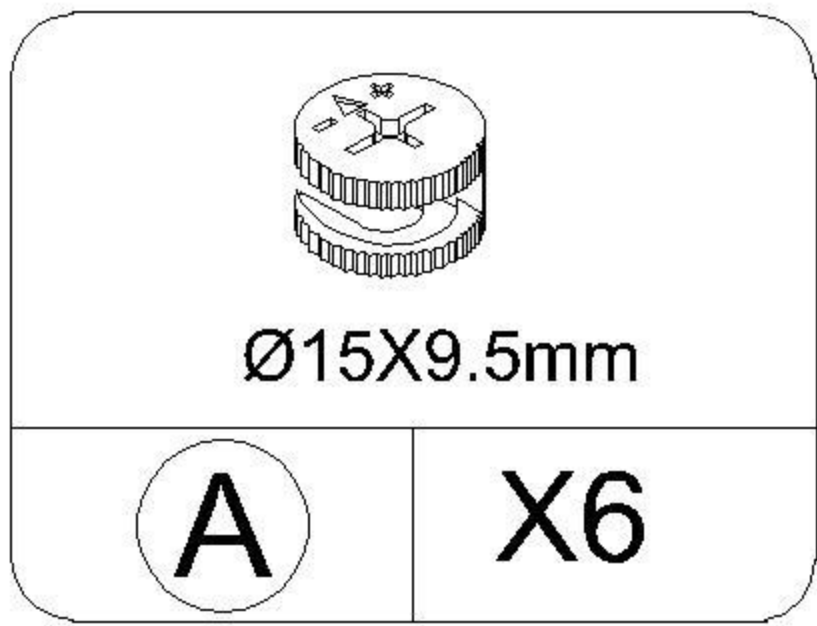


X2



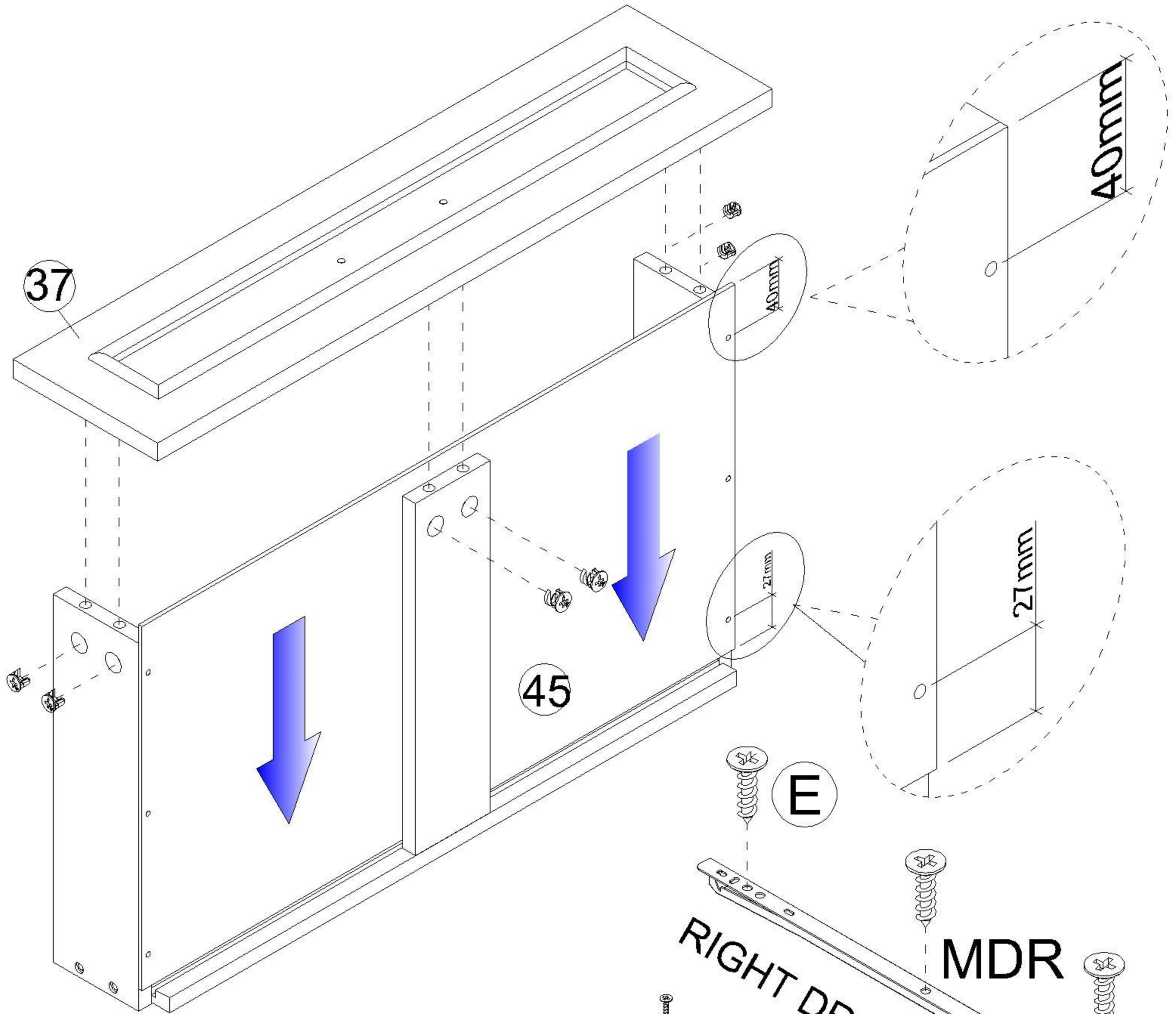
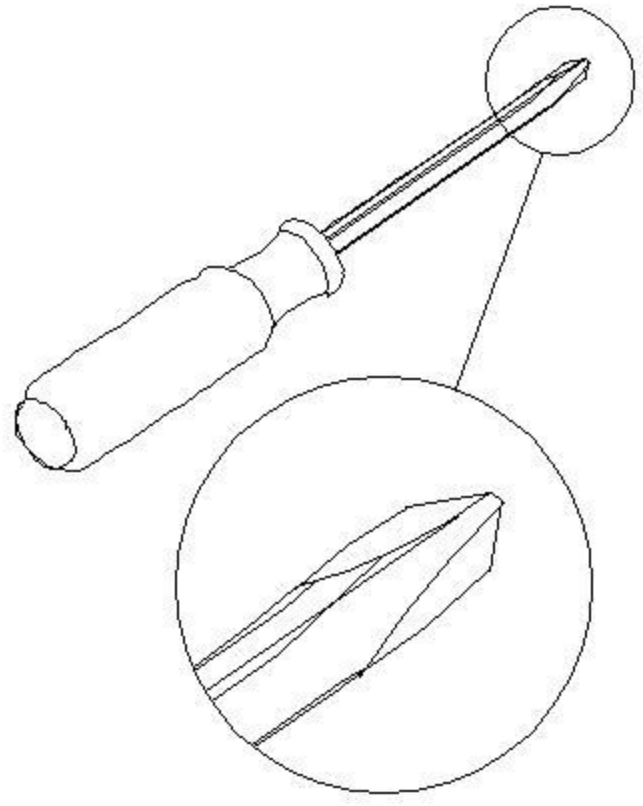
Proper orientation of CAM LOCK

STEP44

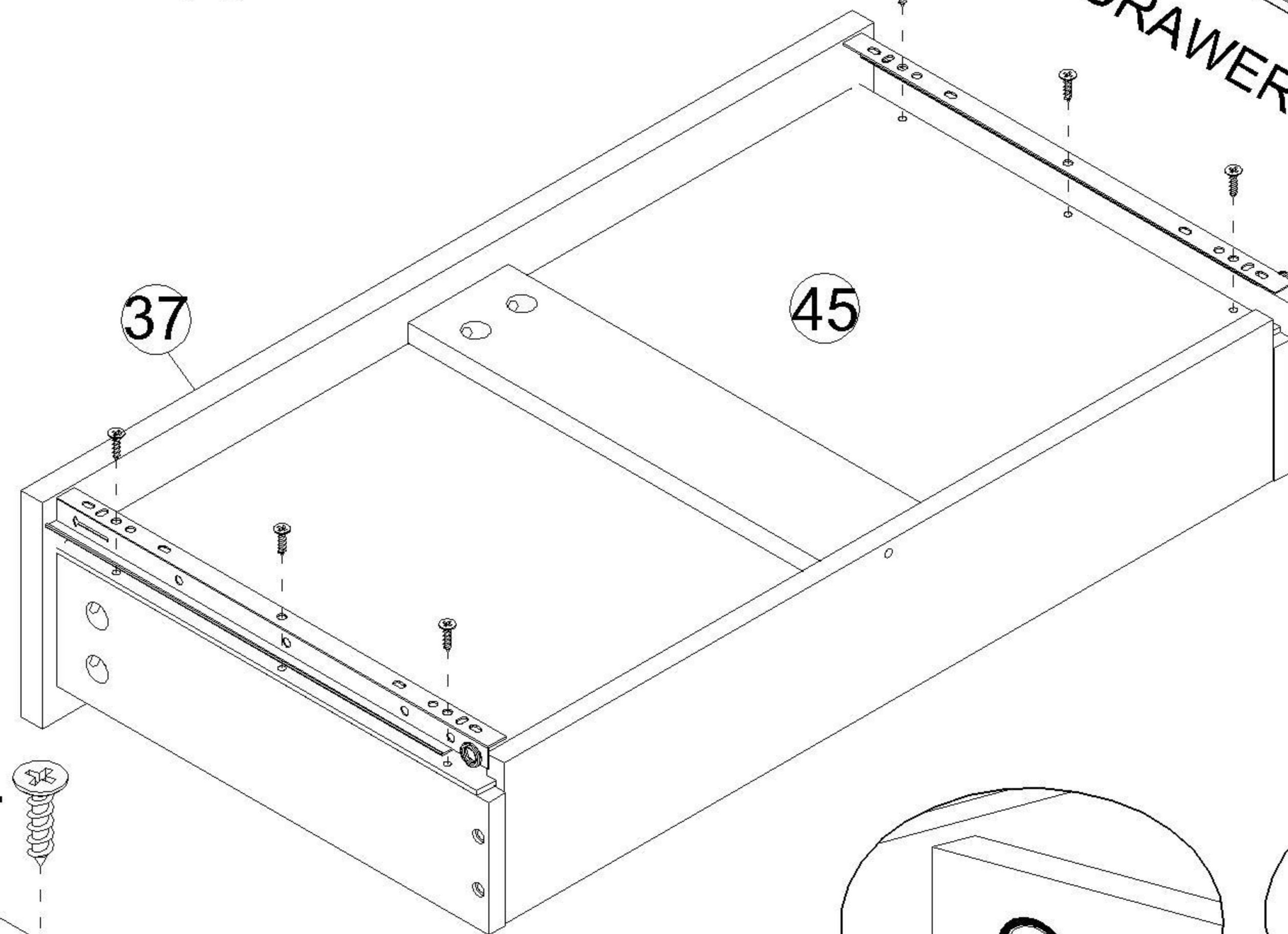


RIGHT DRAWER RUNNER

LEFT DRAWER RUNNER

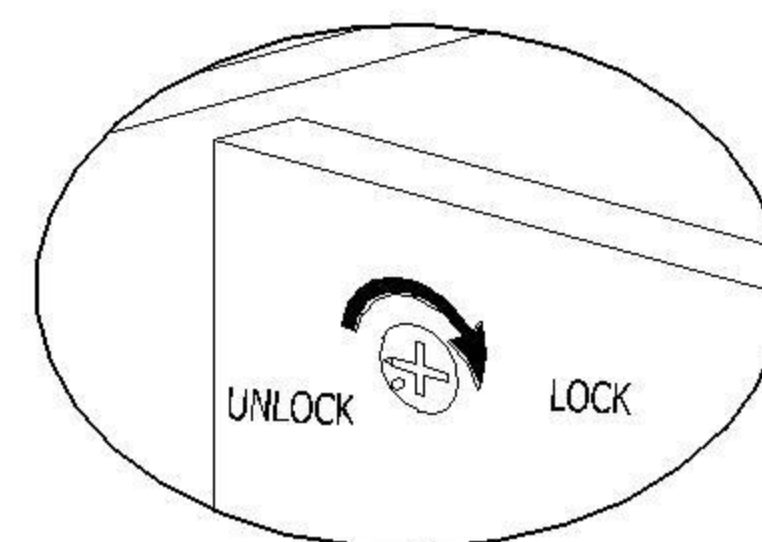


RIGHT DRAWER RUNNER



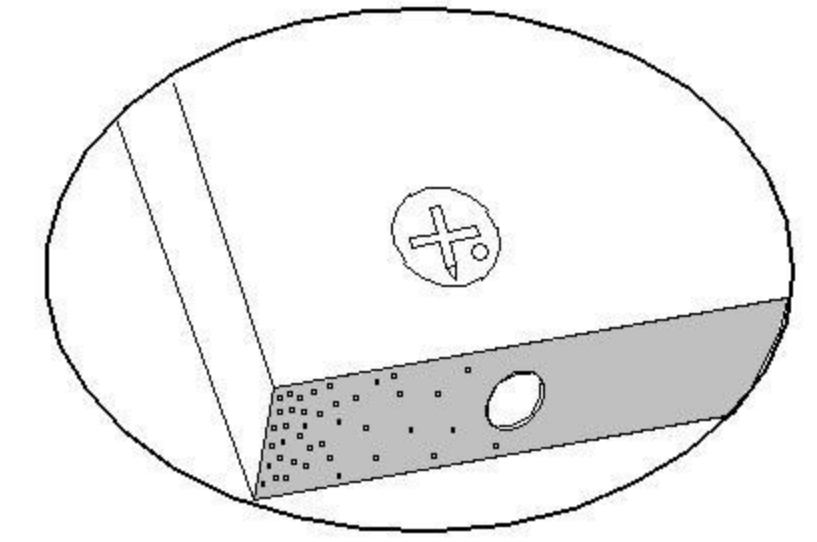
MDL

LEFT DRAWER RUNNER



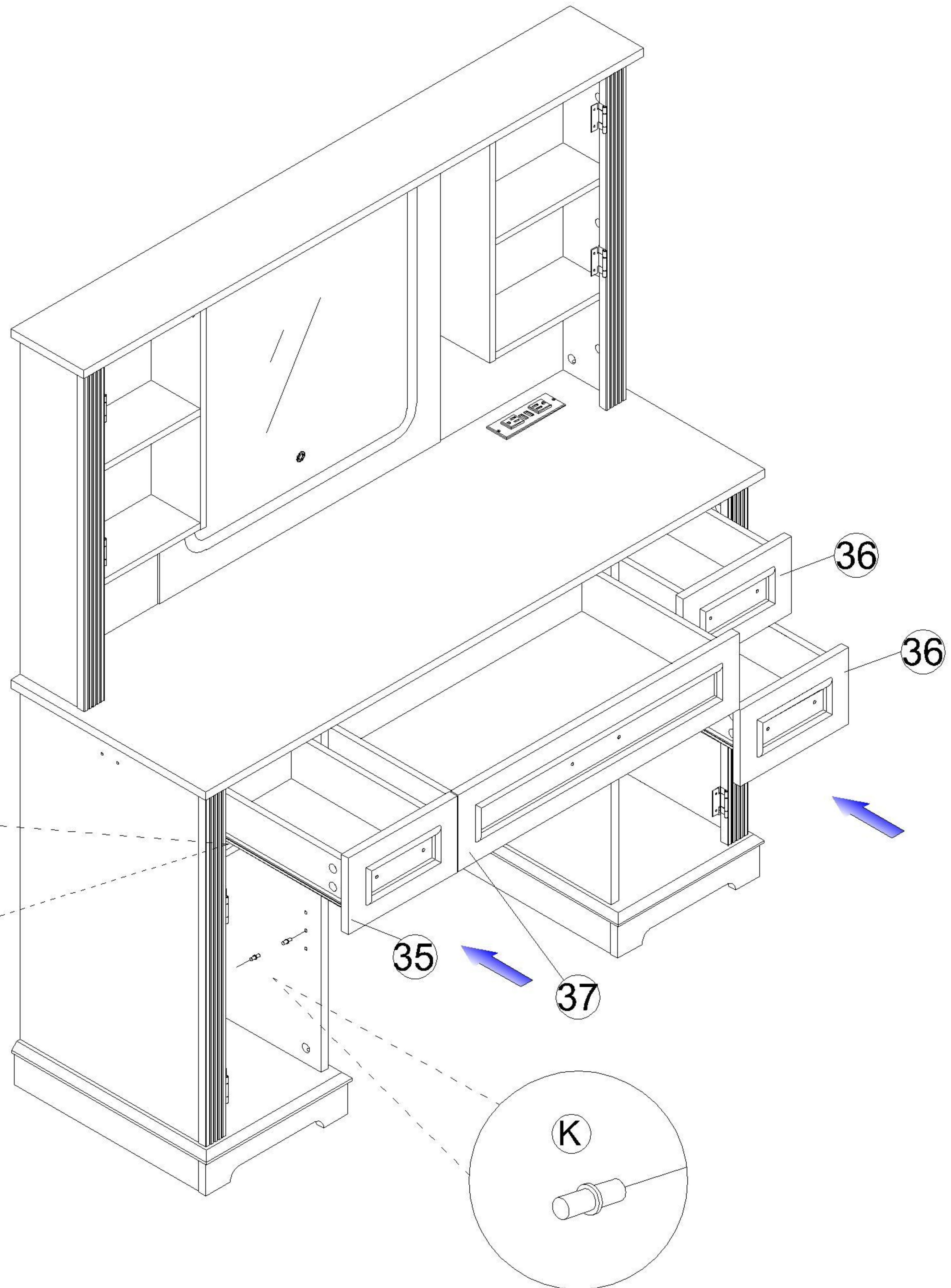
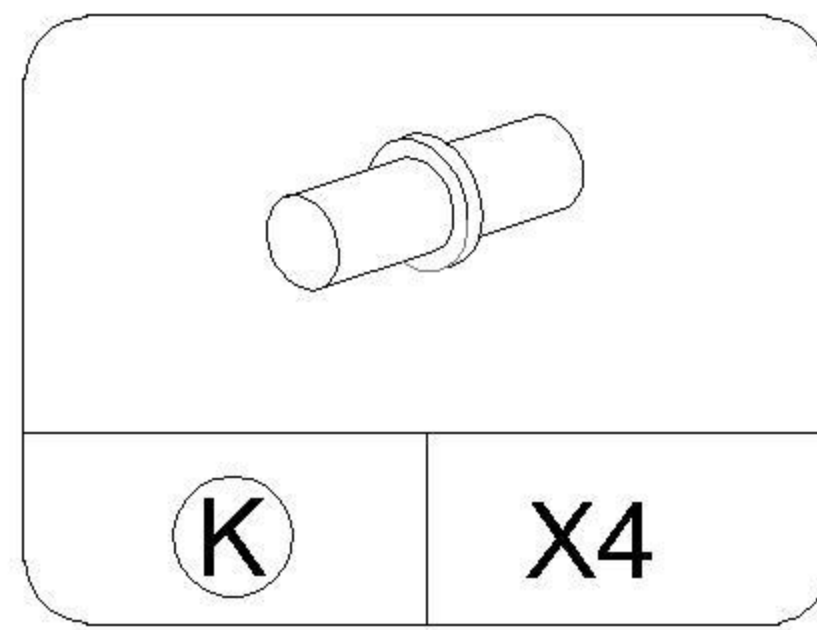
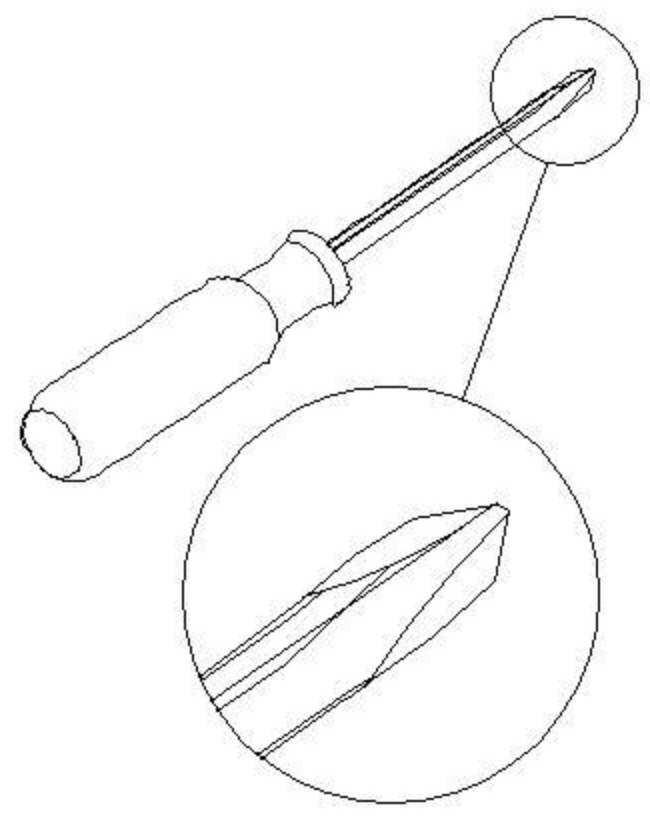
UNLOCK

LOCK

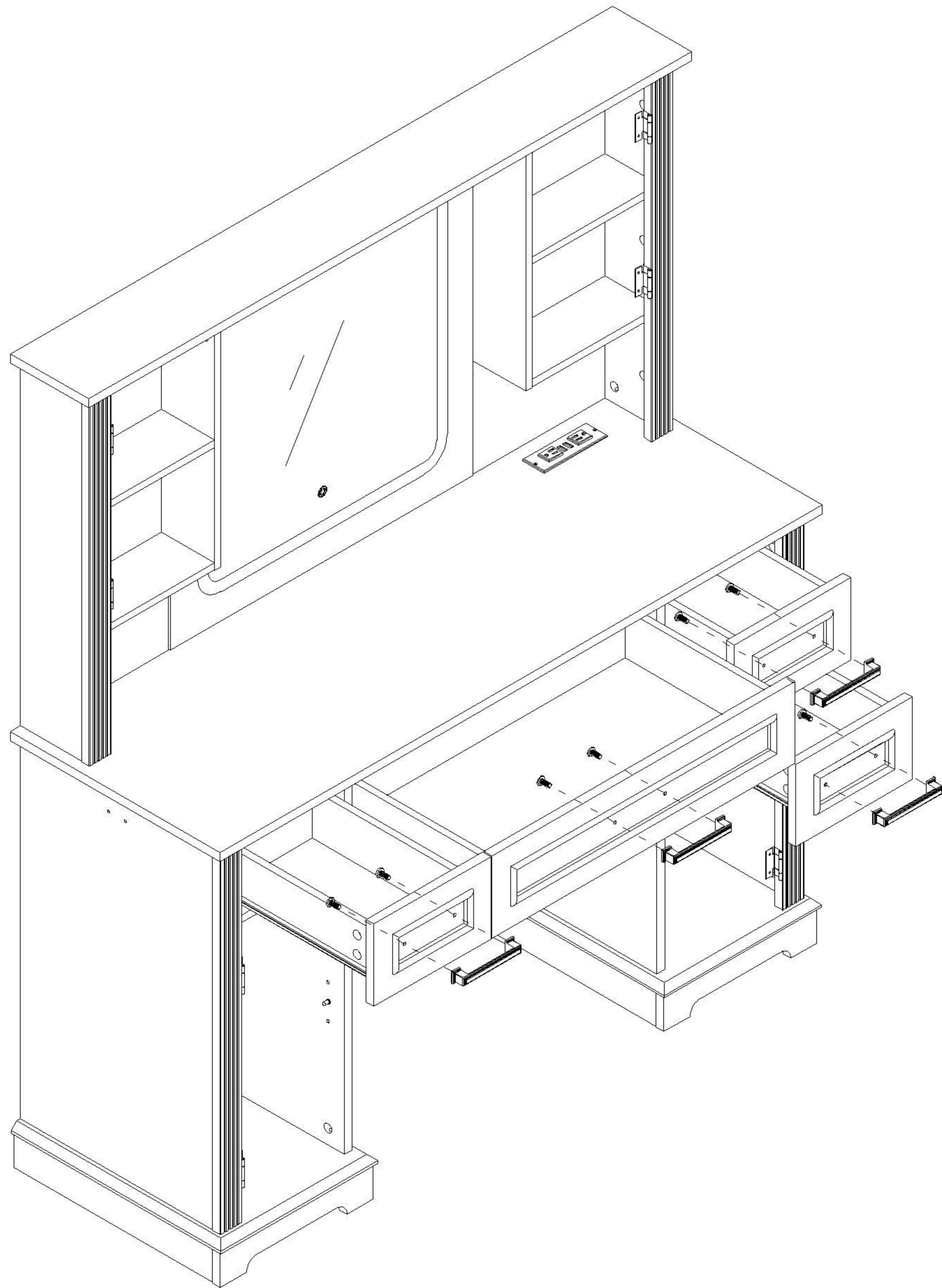
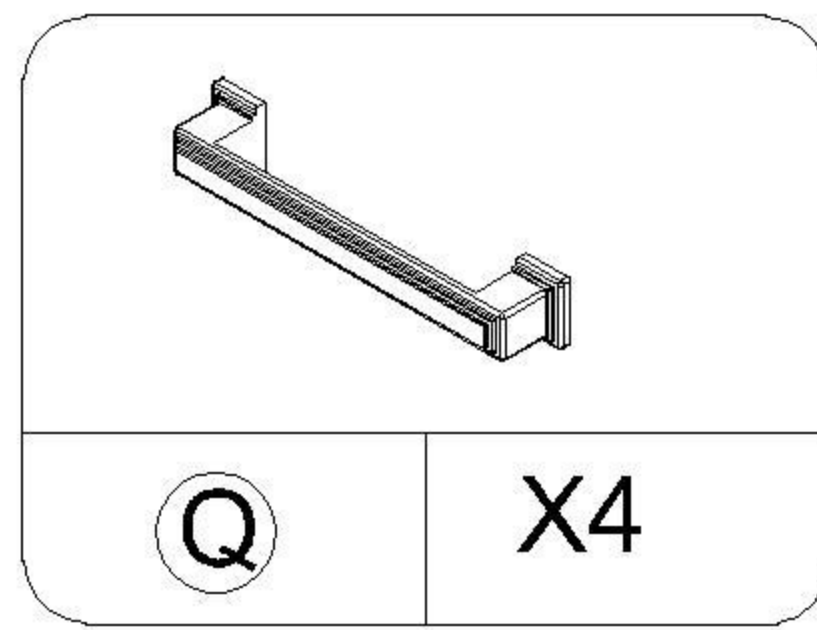
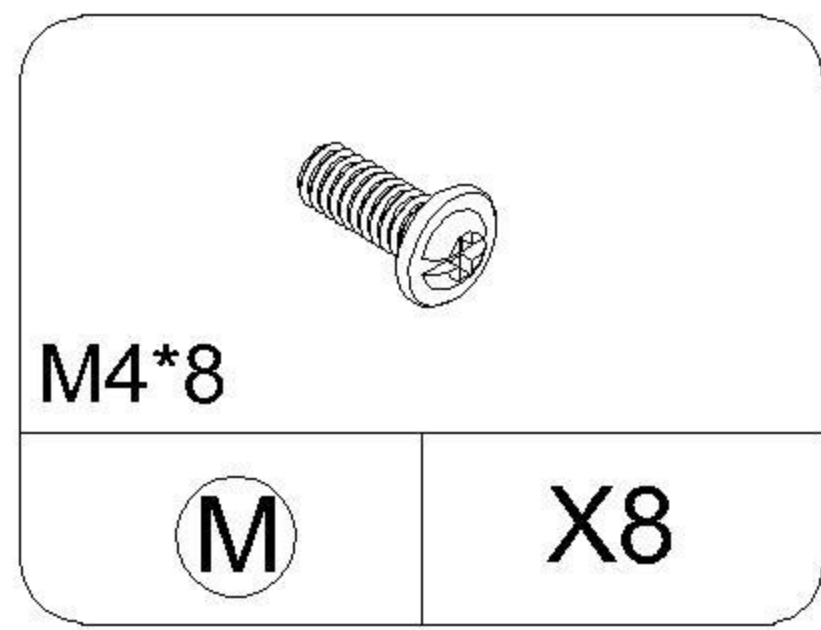
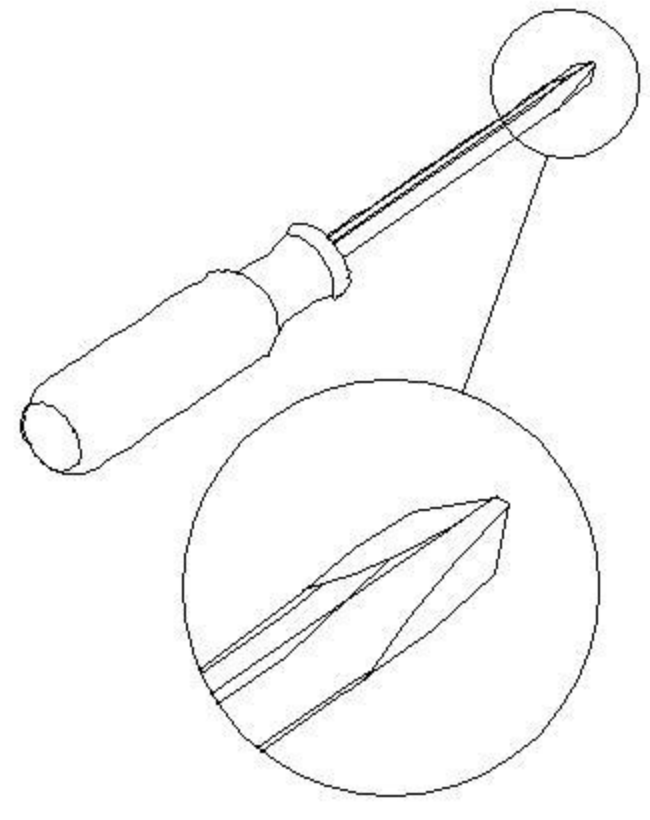


Proper orientation of CAM LOCK

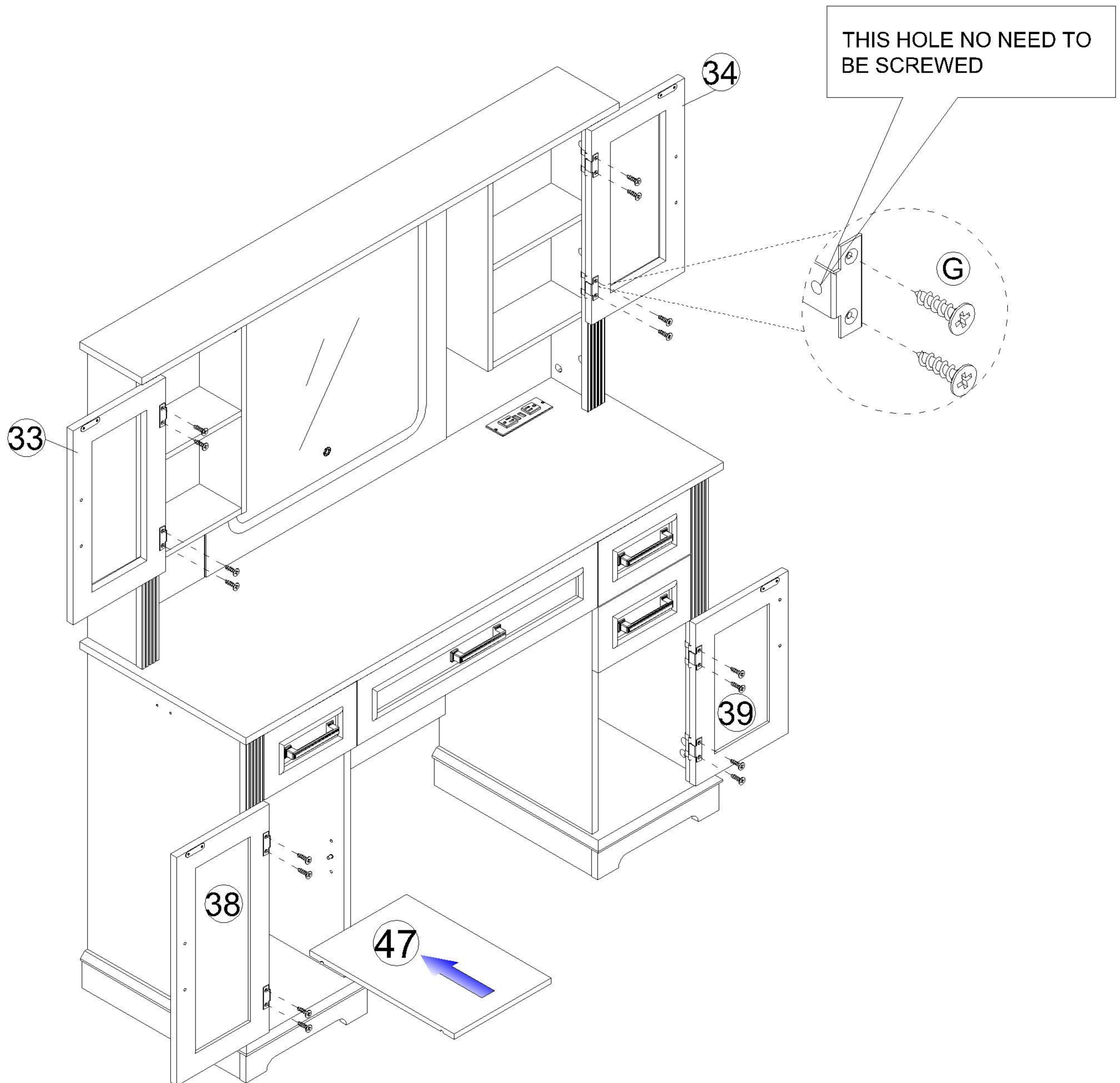
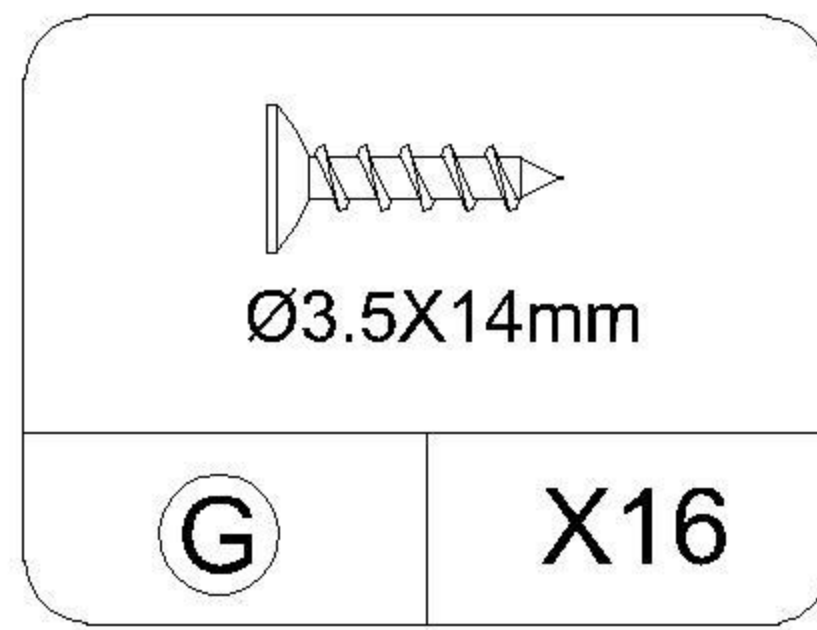
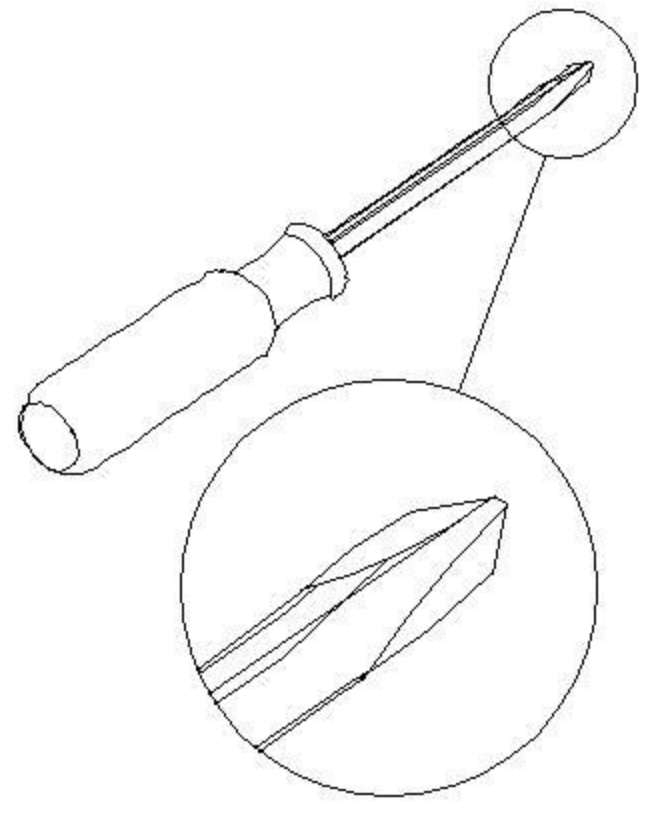
STEP45



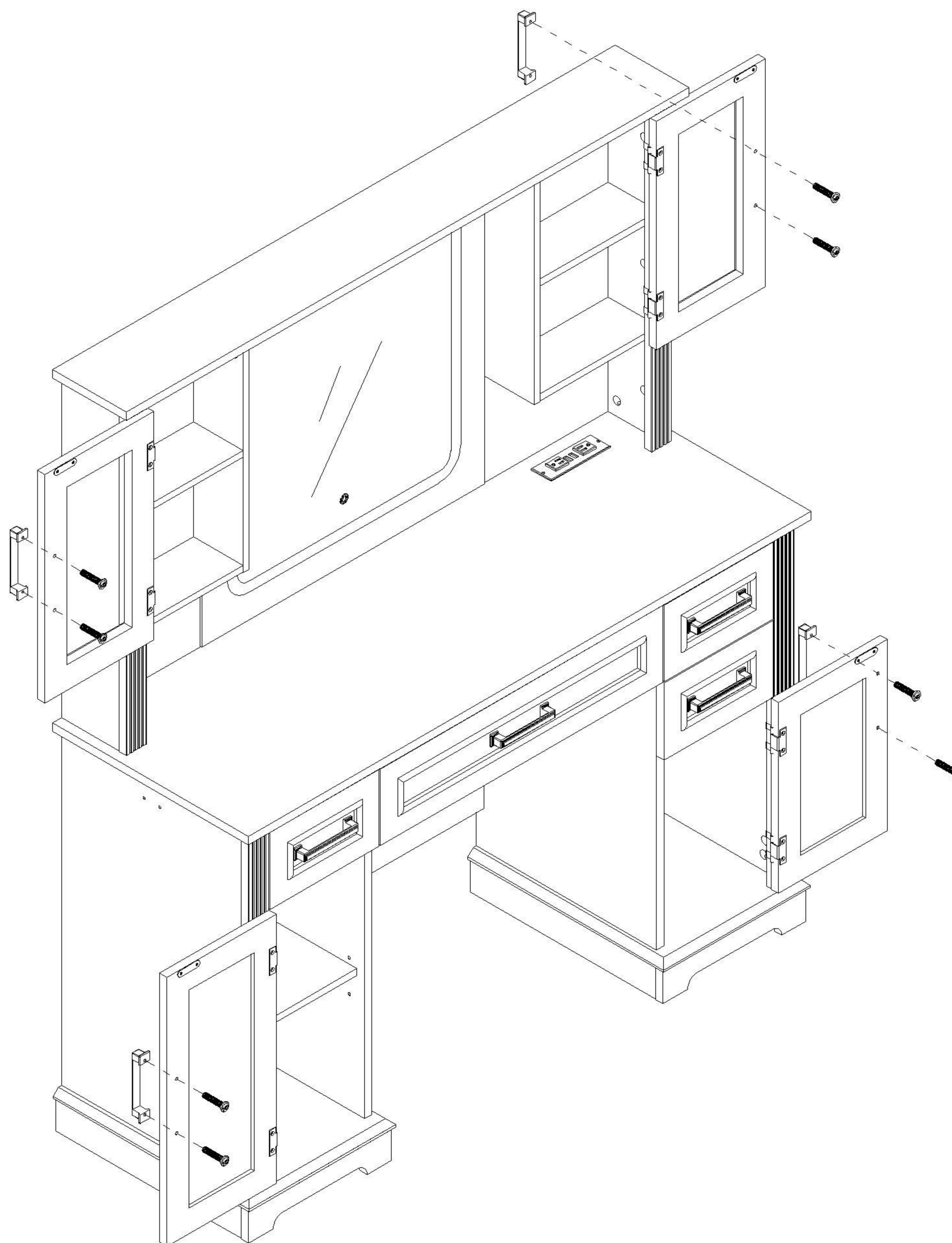
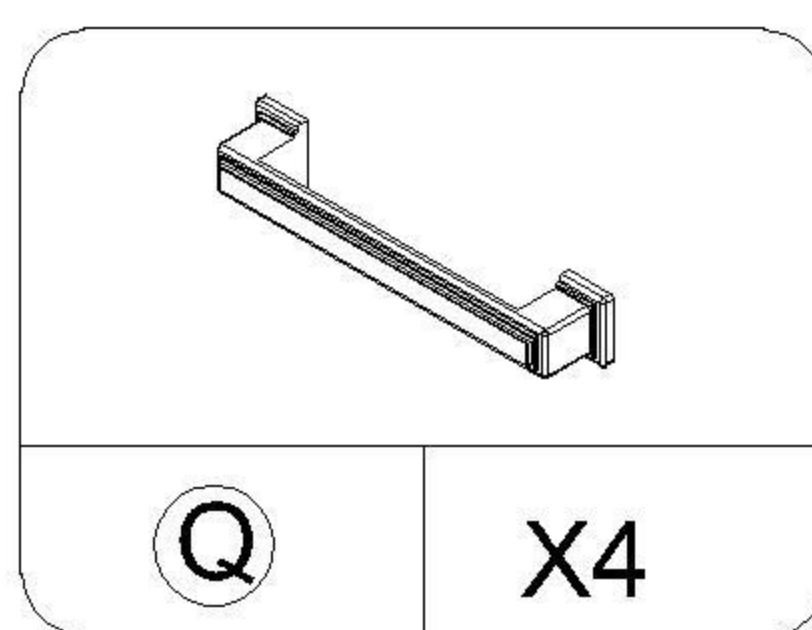
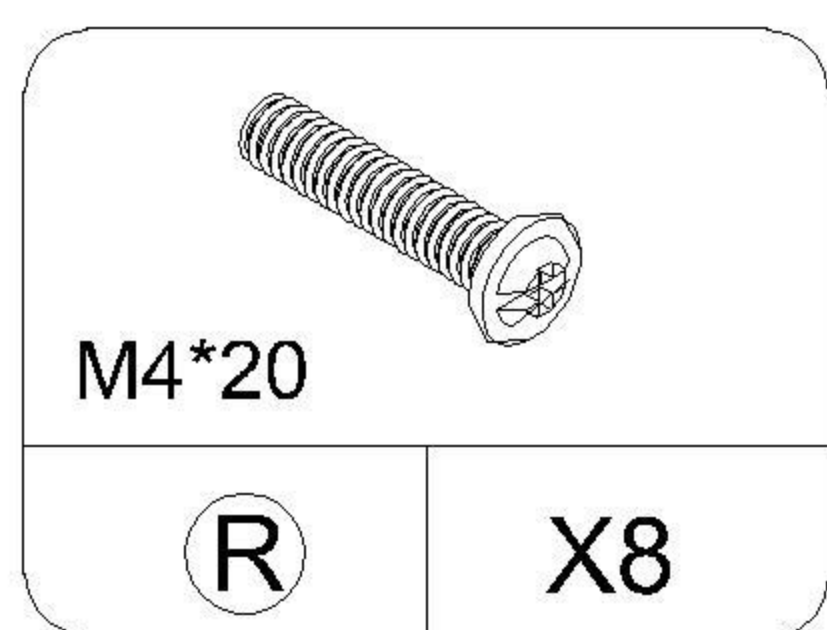
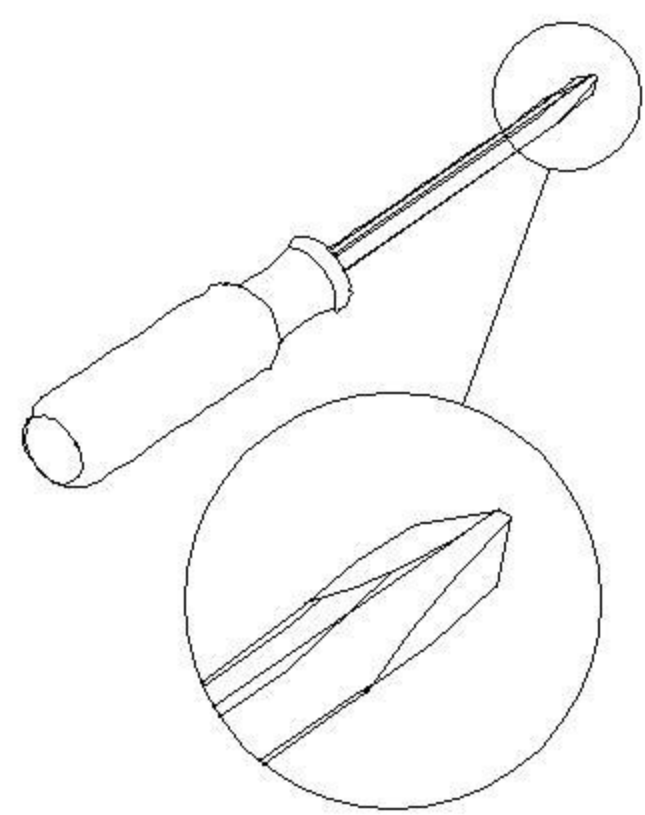
STEP46



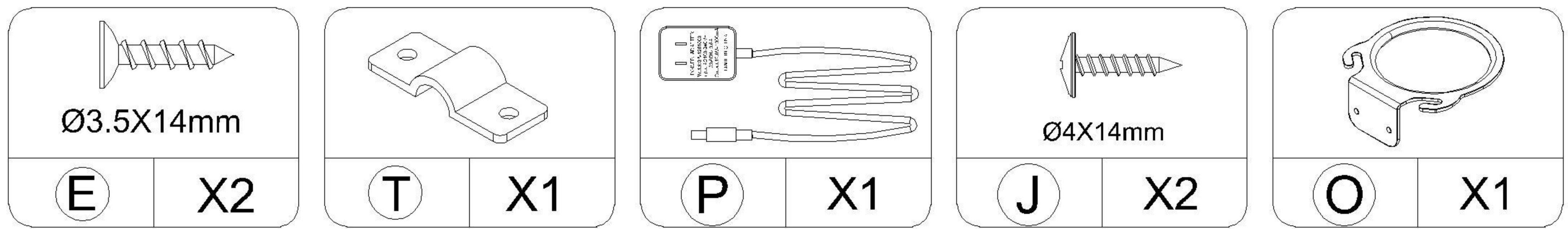
STEP47



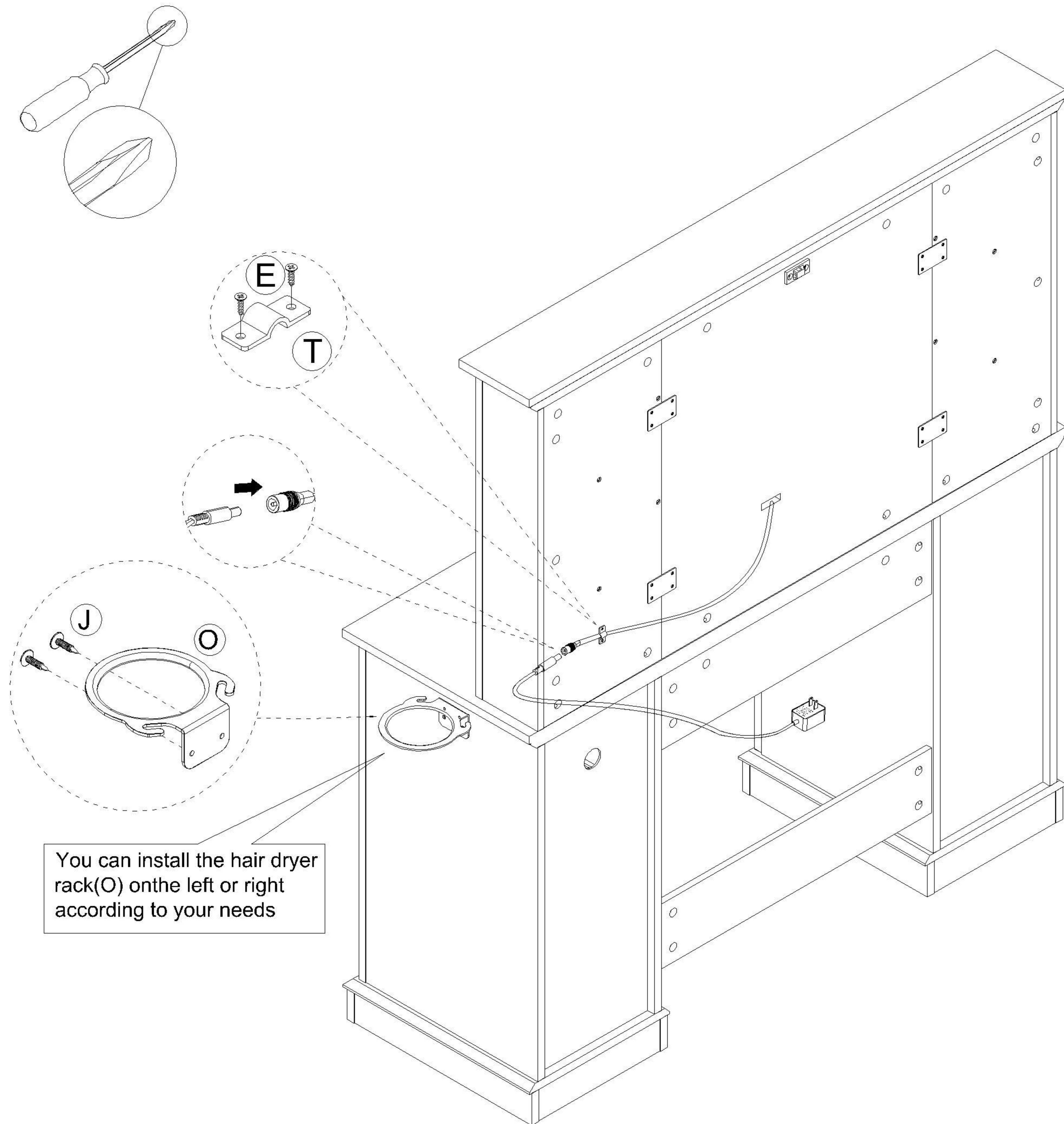
STEP48



STEP49

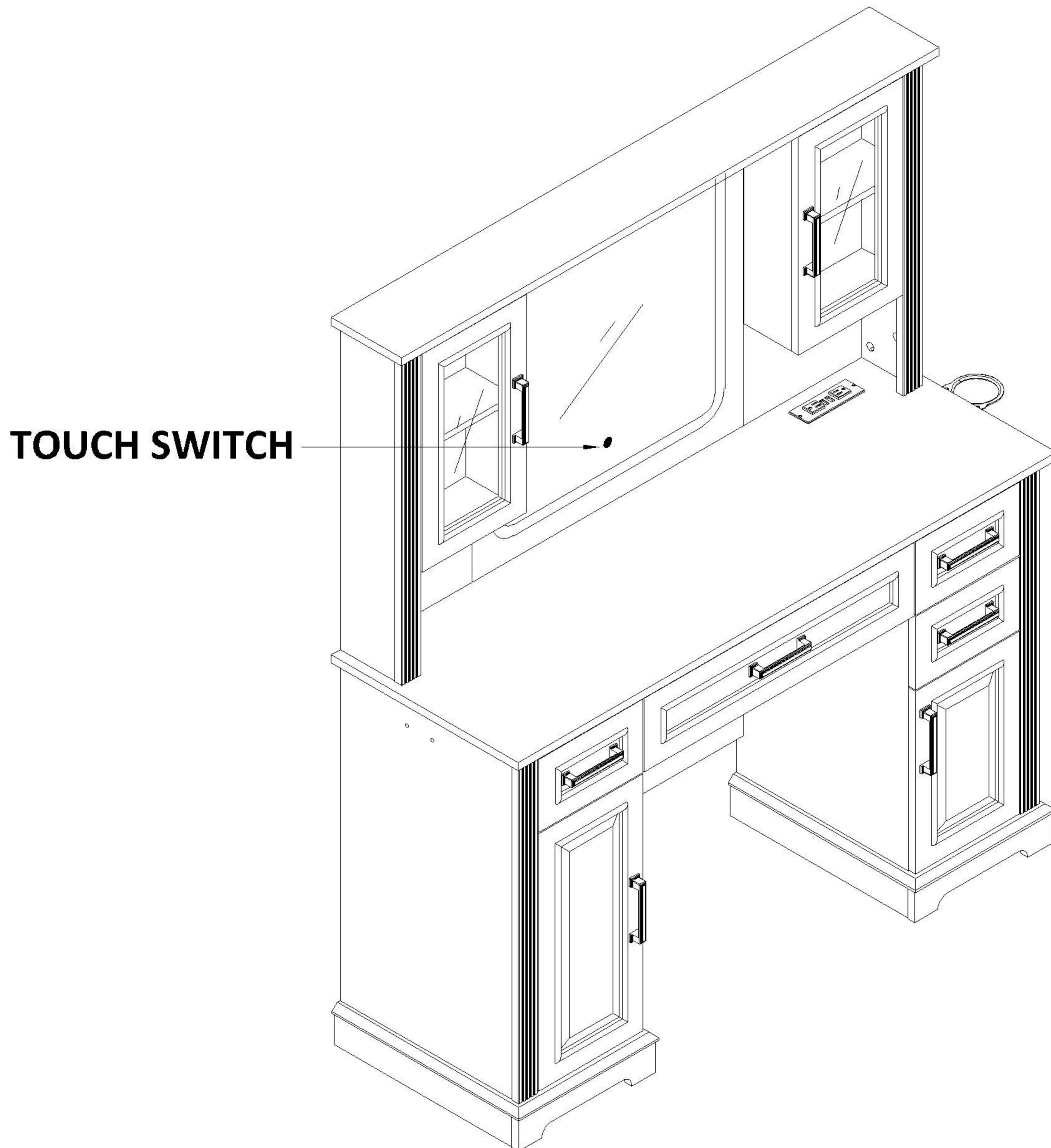


Power cord of the Mirror can go through the corner of board(34),as shown in the picture.

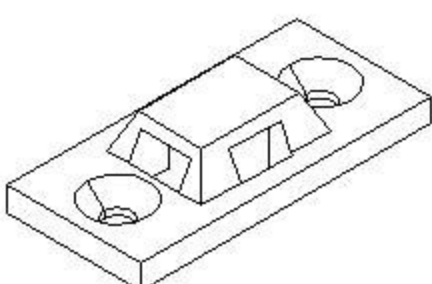
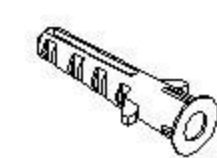

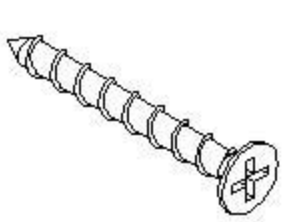


STEP50

When making up can use the switch to turn on or off the light. the dressing table brings you 3 temperature light modes, touch the button you can easy light up the mirror and changeet your different needs, long press to adjust the brightness



STEP 51

2PCS  Ø45X20mm	2PCS  Ø8X29mm	1PCS 	2PCS  Ø4X40mm
W	X1 set		



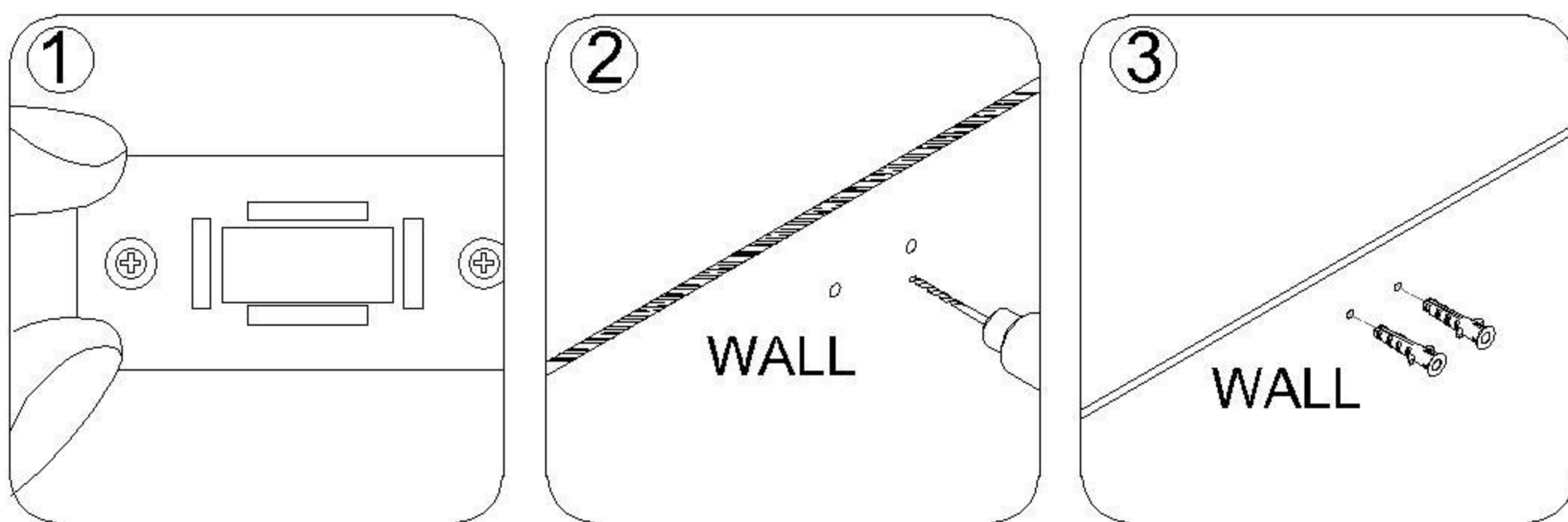
NOTE: The tipping restraint hardware included is for wooden stud wall construction. It must be attached to a wall stud. Depending upon your wall construction different anchor hardware maybe required. Please contact your local hardware store for assistance. Young children can be seriously injured by tipping furniture. You must install the tipping restraint hardware with the unit to prevent the unit from tipping, causing any accidents or damage. The tipping restraints are intended only as a deterrent and are not a substitute for proper adult supervision. The tipping restraints are not earthquake restraints. If you wish to add the extra security of earthquake restraints, they must be purchased and installed separately.

We have included a set of tipping restraint hardware for this unit. You must install this hardware to prevent accidents or injuries that can result from the unit falling. When properly installed, this restraint can provide

protection against the unexpected tipping of the unit due to small tremors, bumps or climbing. We strongly recommend mounting this hardware to a wall stud and your unit.



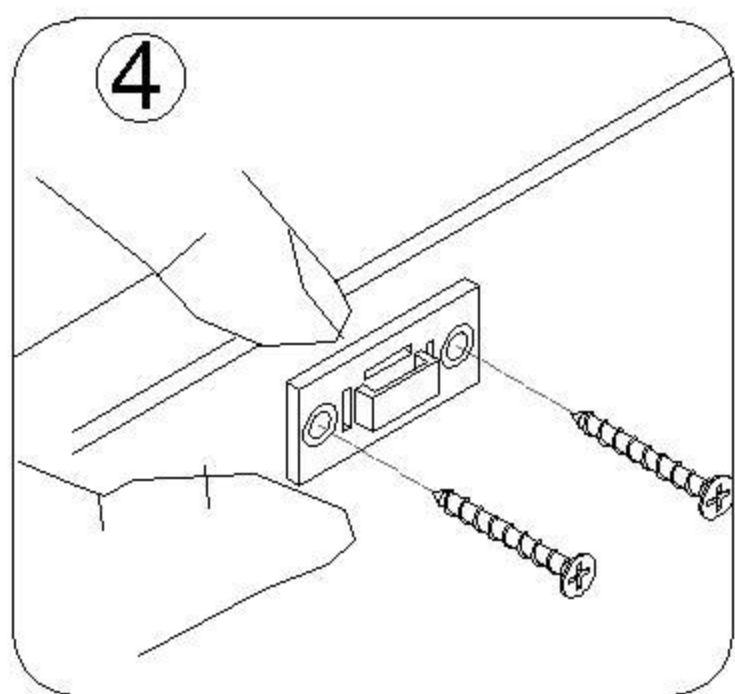
Install the tipping restraint hardware



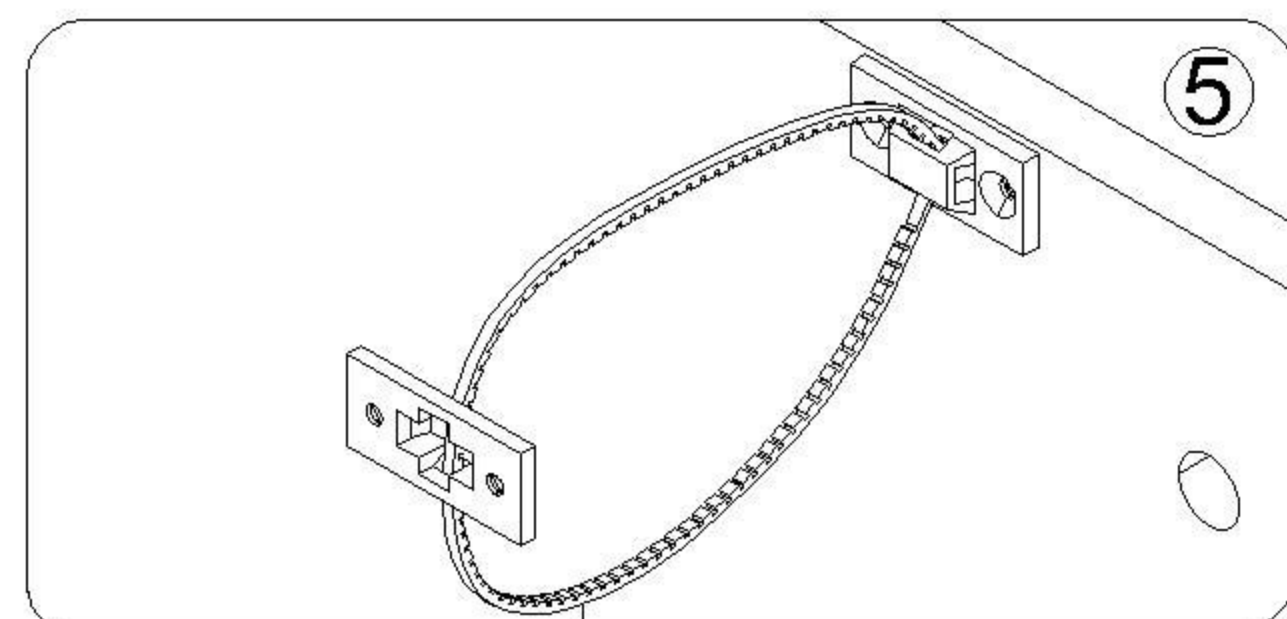
1. make mark on the wall

2. drill two Ø6 holes on the wall

3. put two anchors in the holes



4. fix the device on the wall by the long screws



5. Push the cabinet close to the wall so that the two bases are close to each other, and then put on nylon tie to tighten it.

