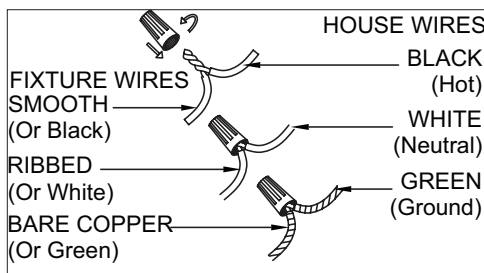
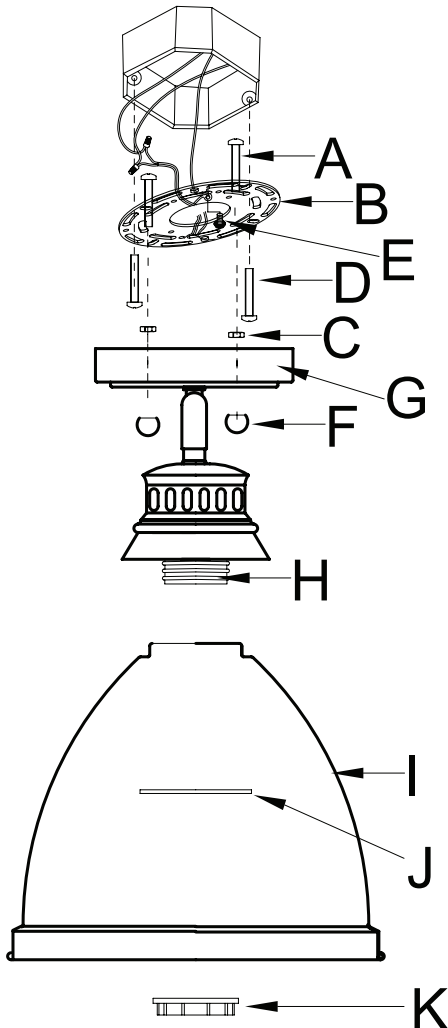


Assembly Instructions

IMPORTANT:

- ALL INSTALLATION WORK SHOULD BE DONE BY ACCREDITED PROFESSIONAL.
- SHUT OFF POWER SUPPLY AT FUSE OR CIRCUIT BREAKER!
- USE ONLY THE SPECIFIED BULBS. DO NOT EXCEED THE MAXIMUM WATTAGE!



PREPARING FOR INSTALLATION

Remove all of the contents from the carton. See the important notes above. Shut off the power at the circuit breaker and completely remove the old fixture from the ceiling, including the old mounting strap.

Mounting strap (B) contains several pairs of threaded holes. Find the pair of holes that matches the spacing of the holes on the junction box and your canopy. Two of mounting screws (A) should be attached to mounting strap (B). You may need to tighten the nuts that hold these screws in place. Pull the house wires through the center of mounting strap (B), place mounting strap (B) over the junction box so that mounting screws (A) are vertical, and in alignment with the hole locations on canopy (G). Secure mounting strap (B) to the junction box with mounting screws (D) and a screwdriver. Tighten the screws securely.

CONNECTING THE WIRES

Attach the fixture's wires to the power supply wires from the junction box. Connect black to black (or smooth); white to white (or ribbed); ground to ground (green or copper). Twist the ends of the wire pairs together, then twist on a wire connector. Make sure all twists are in the same direction. If there is no ground wire (green or copper) from the junction box, locate ground screw (E) on mounting strap (B) and wrap the fixture's ground wire around the green ground screw (E). Use a screwdriver to secure ground screw (E) onto the mounting bracket. Tuck all wires neatly into the junction box.

FINISHING THE INSTALLATION

Place canopy (G) over mounting screws (A) so that they protrude through the holes in the front of the canopy. Thread deco nuts (F) onto mounting screws (A). Twist until the canopy of the fixture is snug against the wall.

Slide shade (I) over socket (H) and twist washer (J) and socket ring (K) onto the threads of socket (H) to secure in place.

Install light bulbs in accordance with the fixture's specifications. Do not exceed the maximum recommended wattage.

Your installation is now complete. Turn on the power and test the fixture.