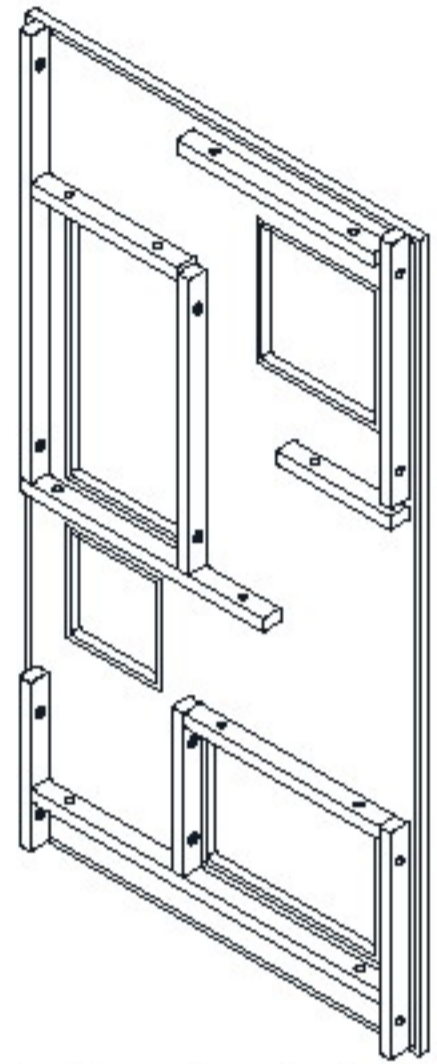
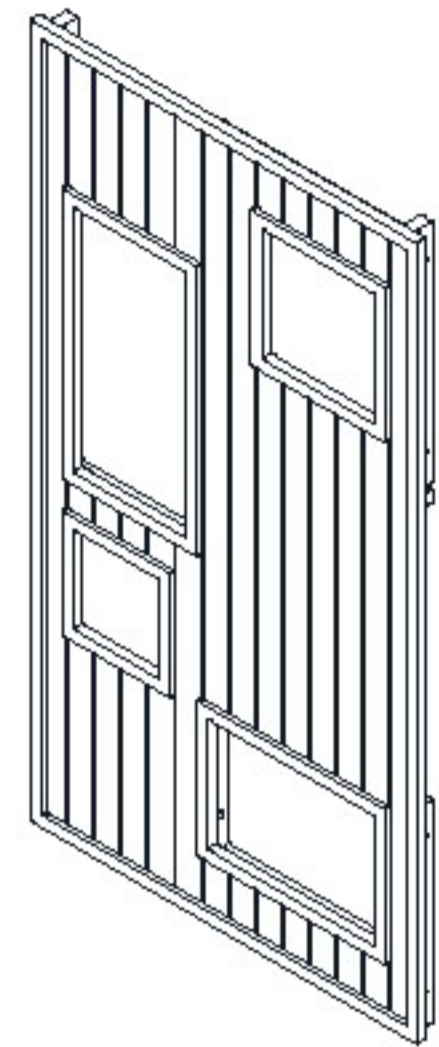


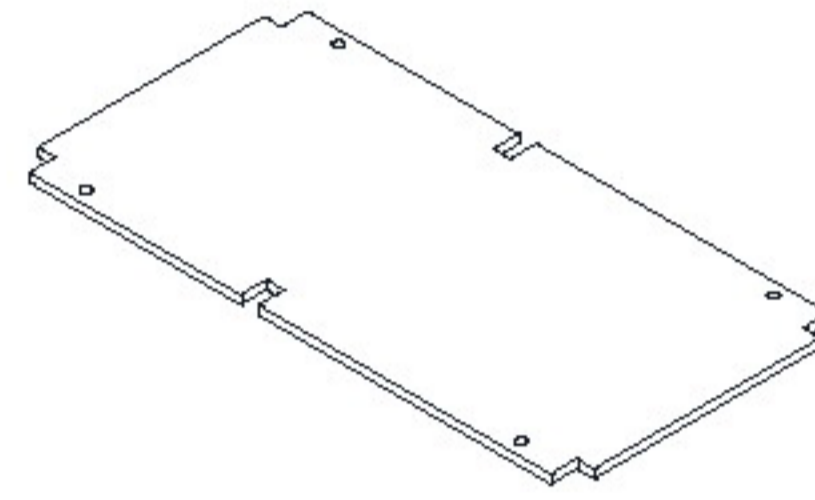
Parts List



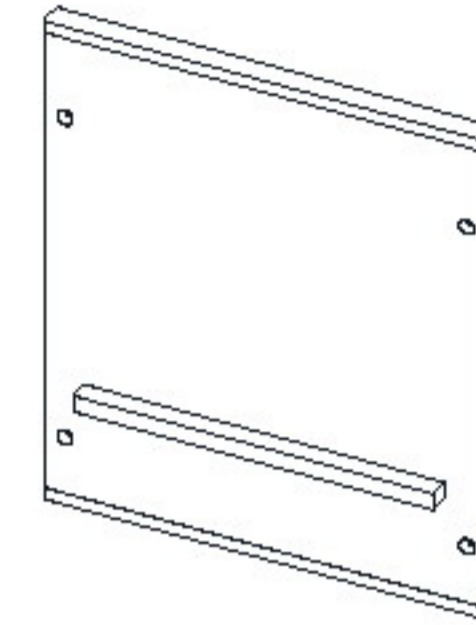
Part 1 X 1



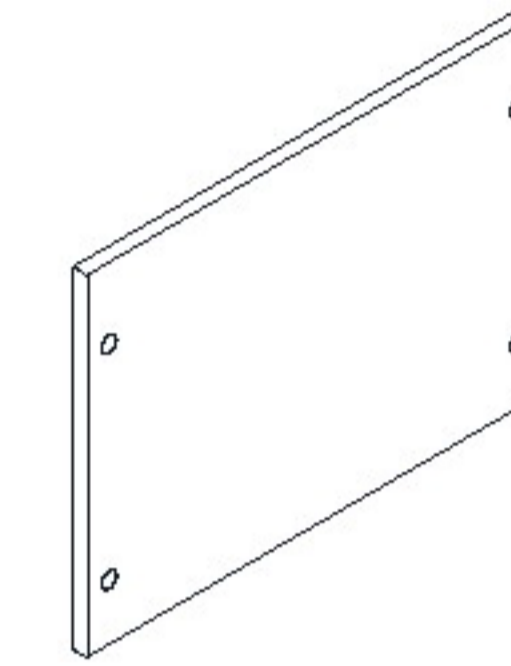
Part 2 X 1



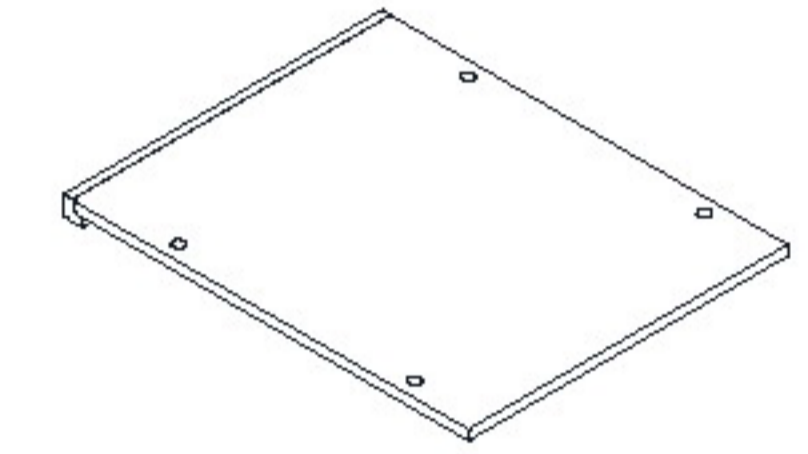
Part 3 X 1



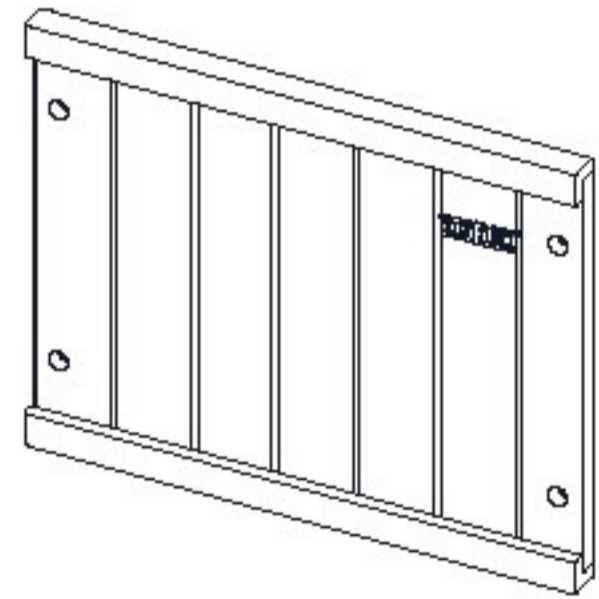
Part 4 X 1



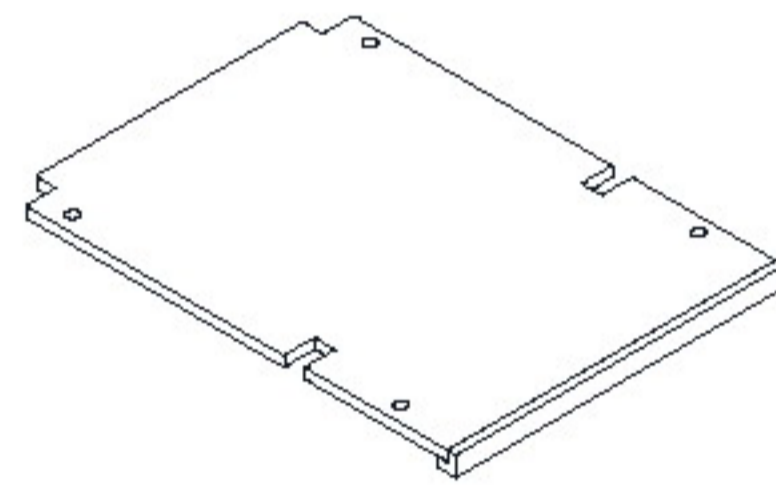
Part 5 X 1



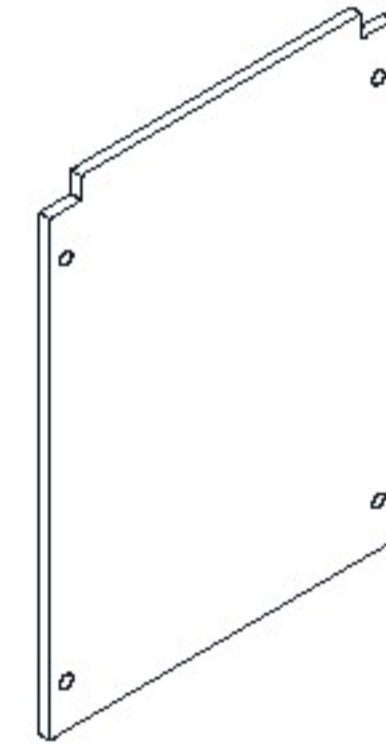
Part 6 X 1



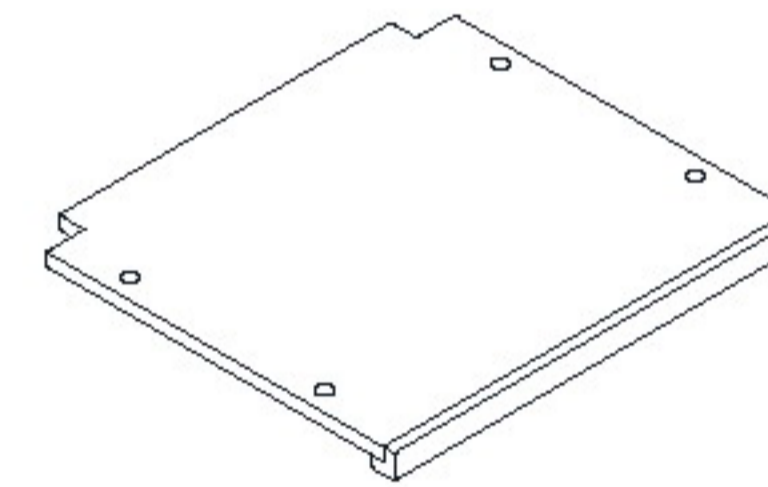
Part 7 X 1



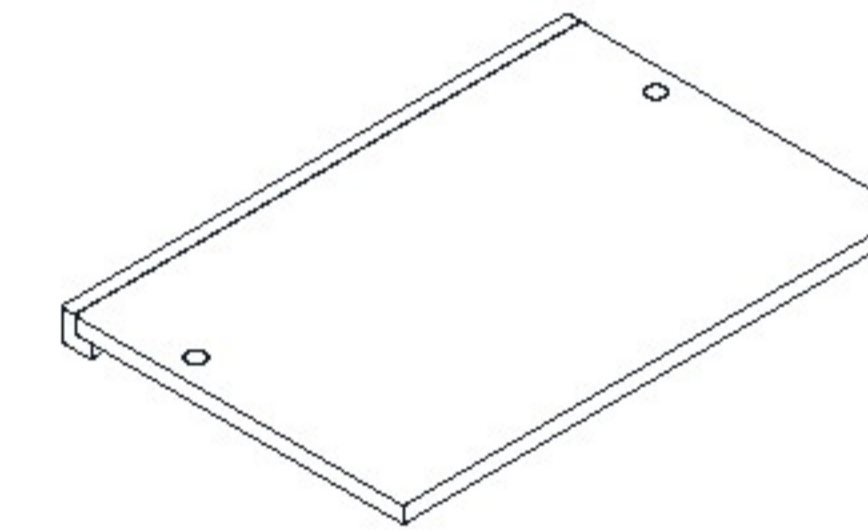
Part 8 X 1



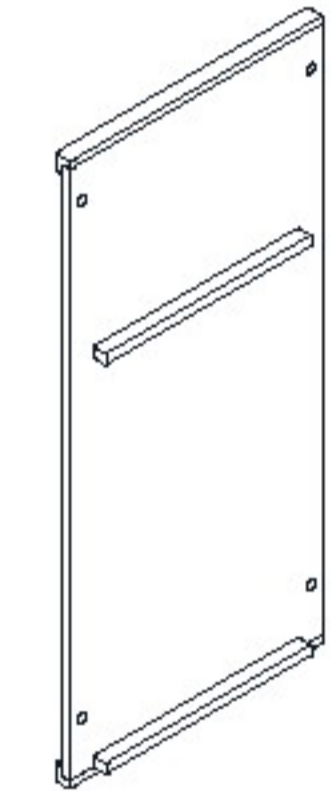
Part 9 X 1



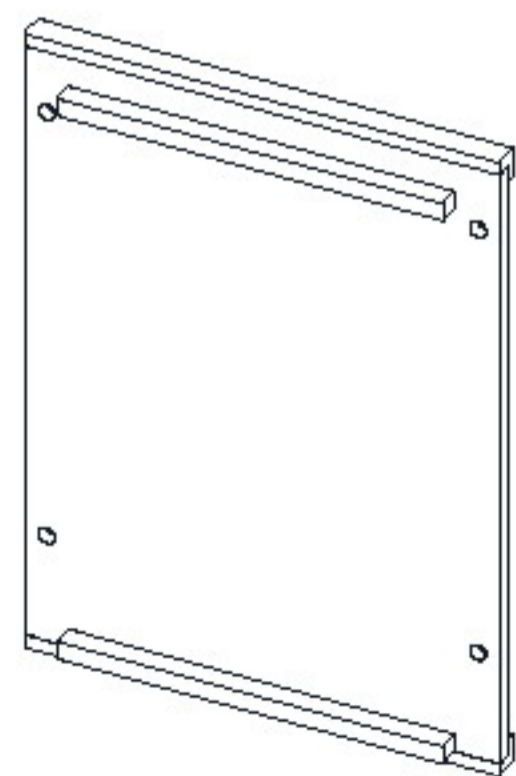
Part 10 X 1



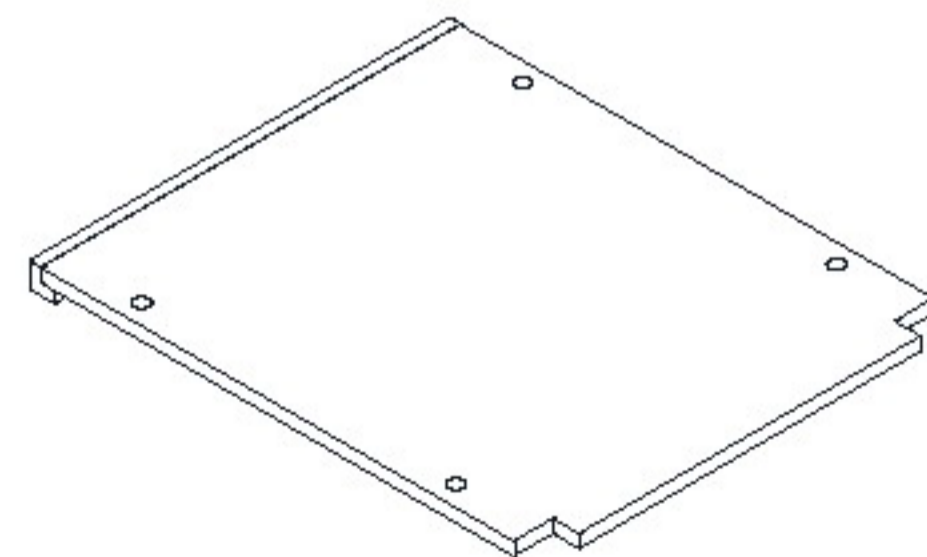
Part 11 X 1



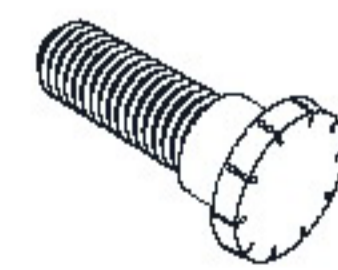
Part 12 X 1



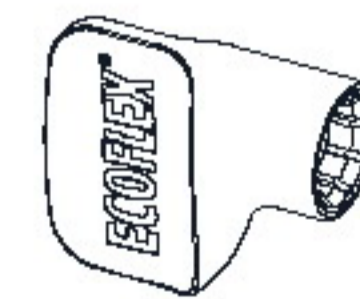
Part 13 X 1



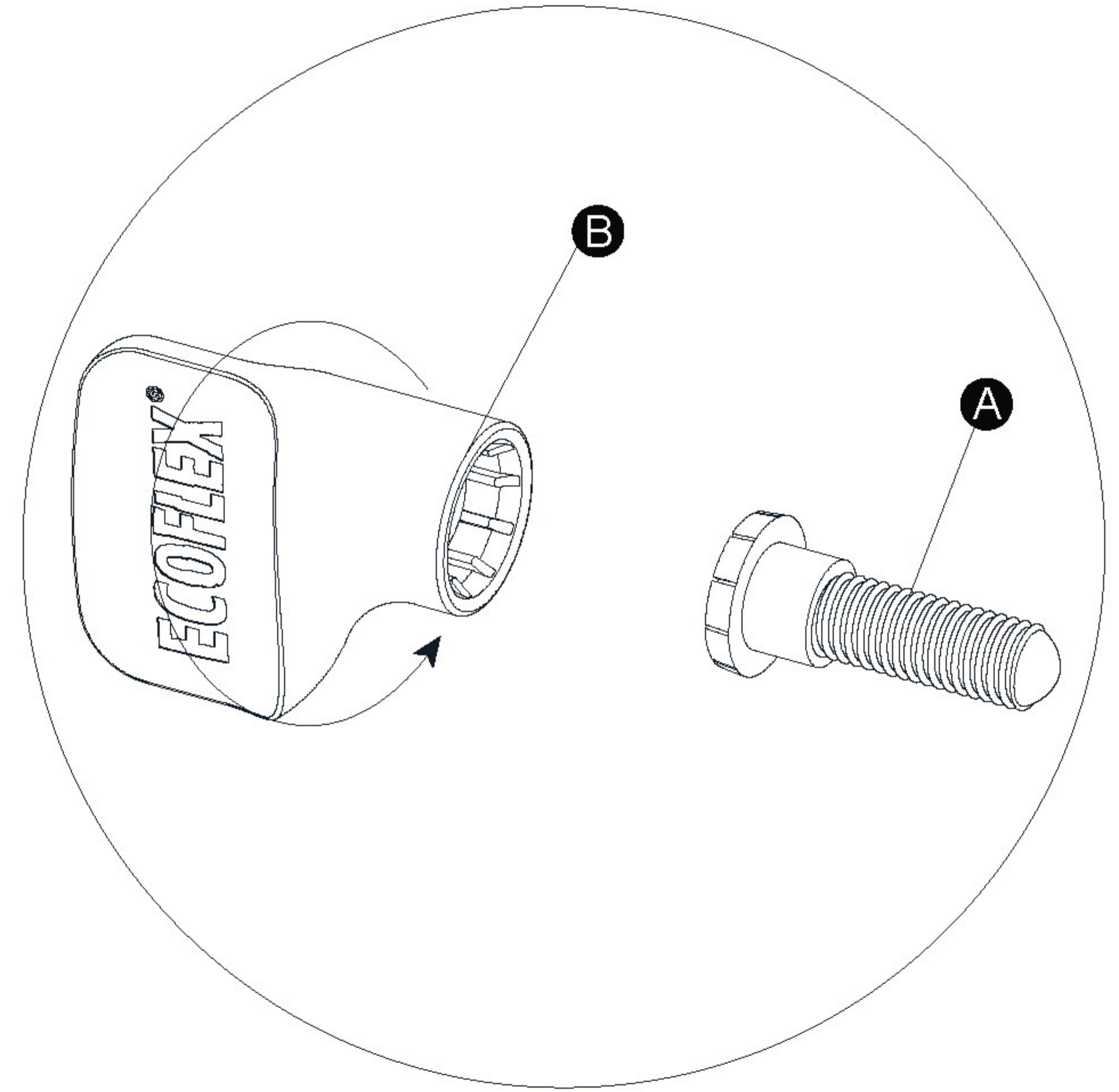
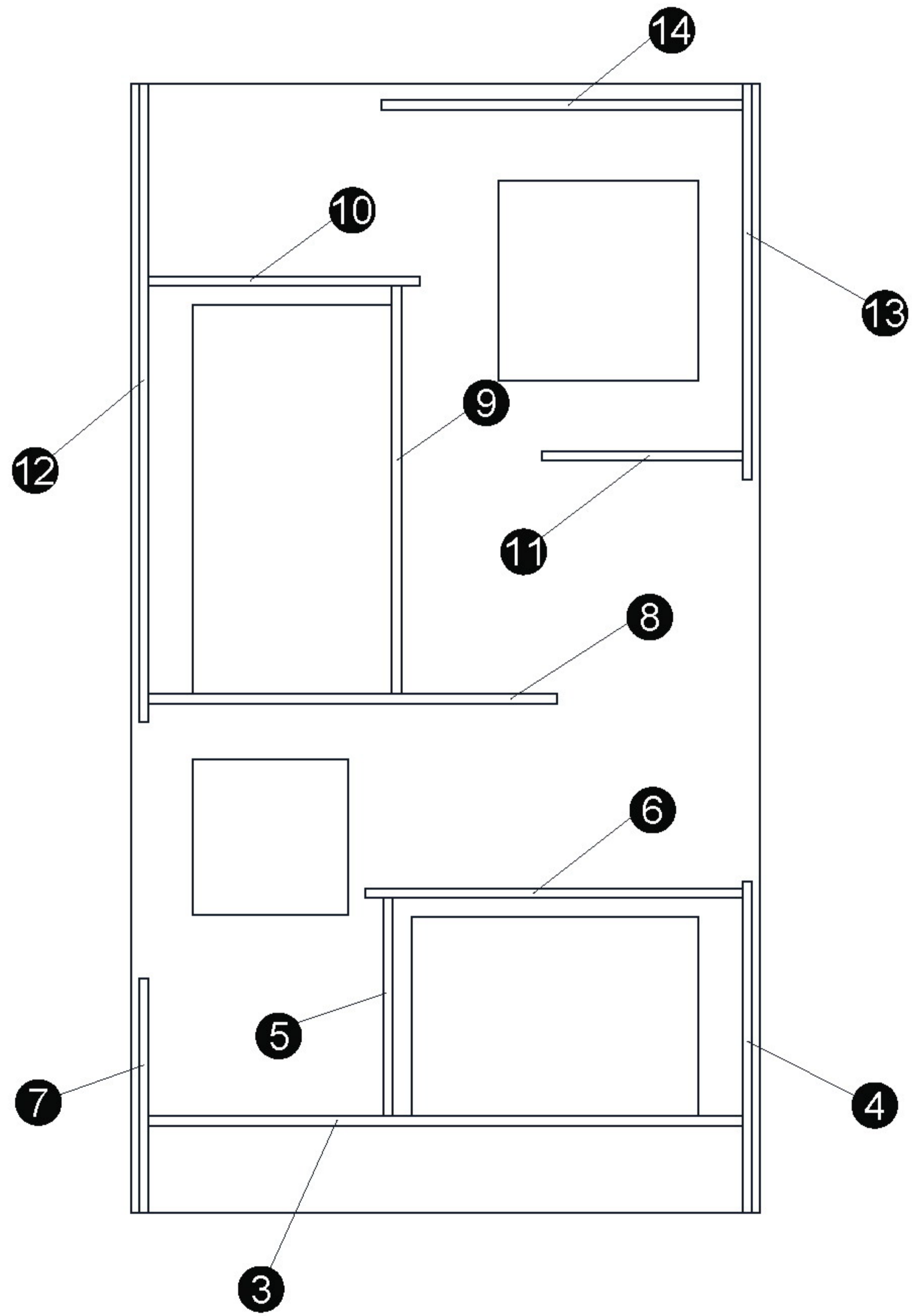
Part 14 X 1



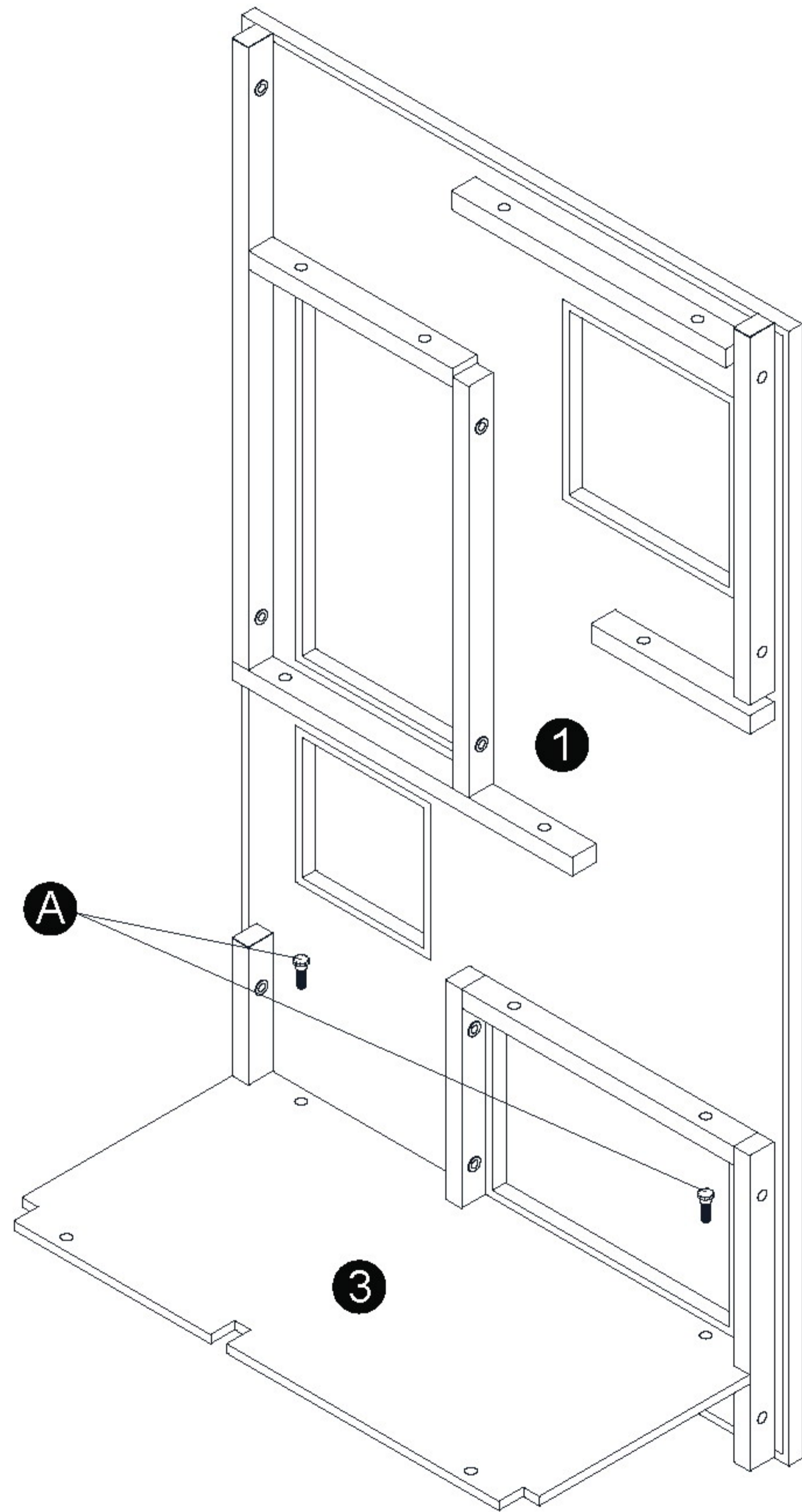
(A) X 46



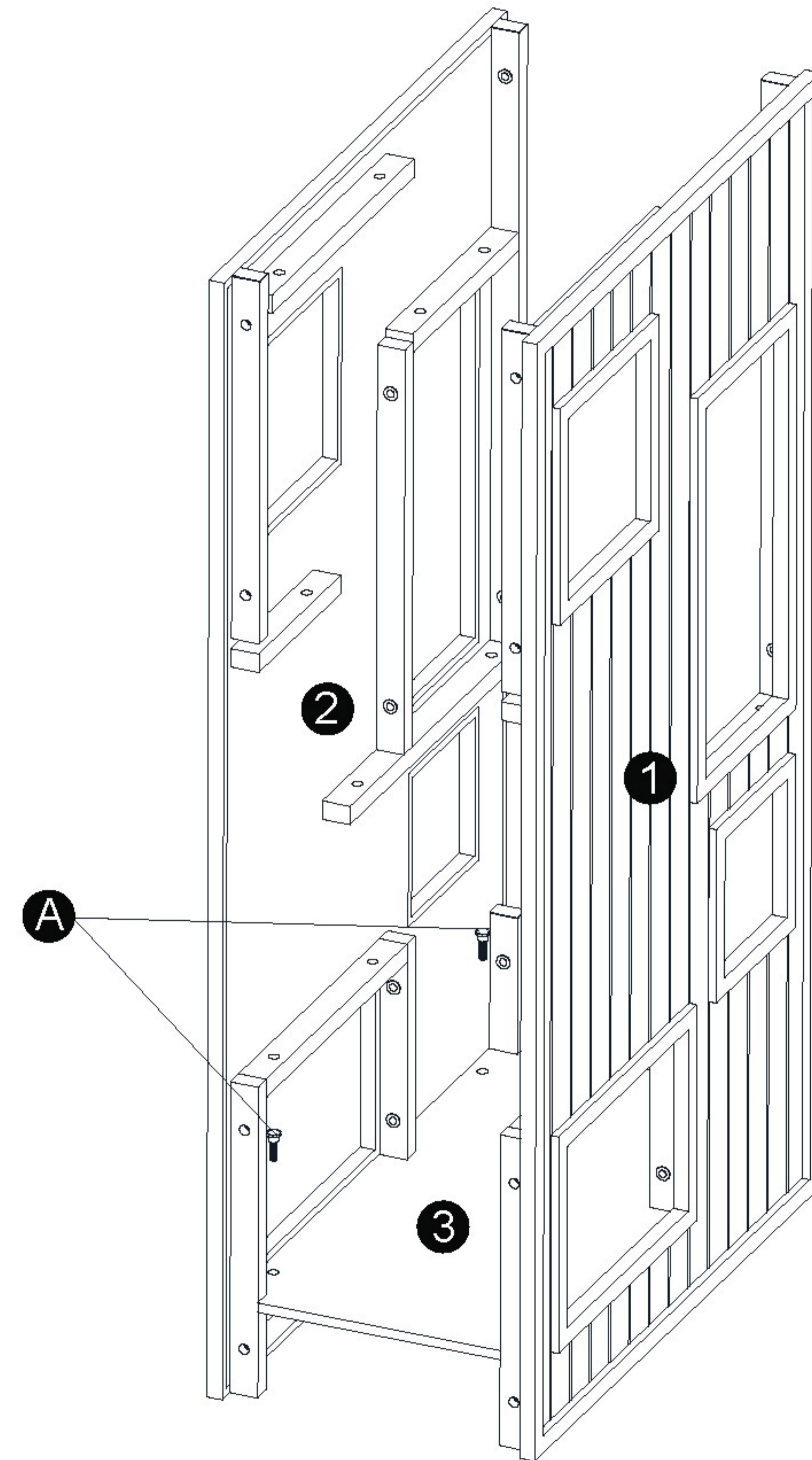
(B) X 2



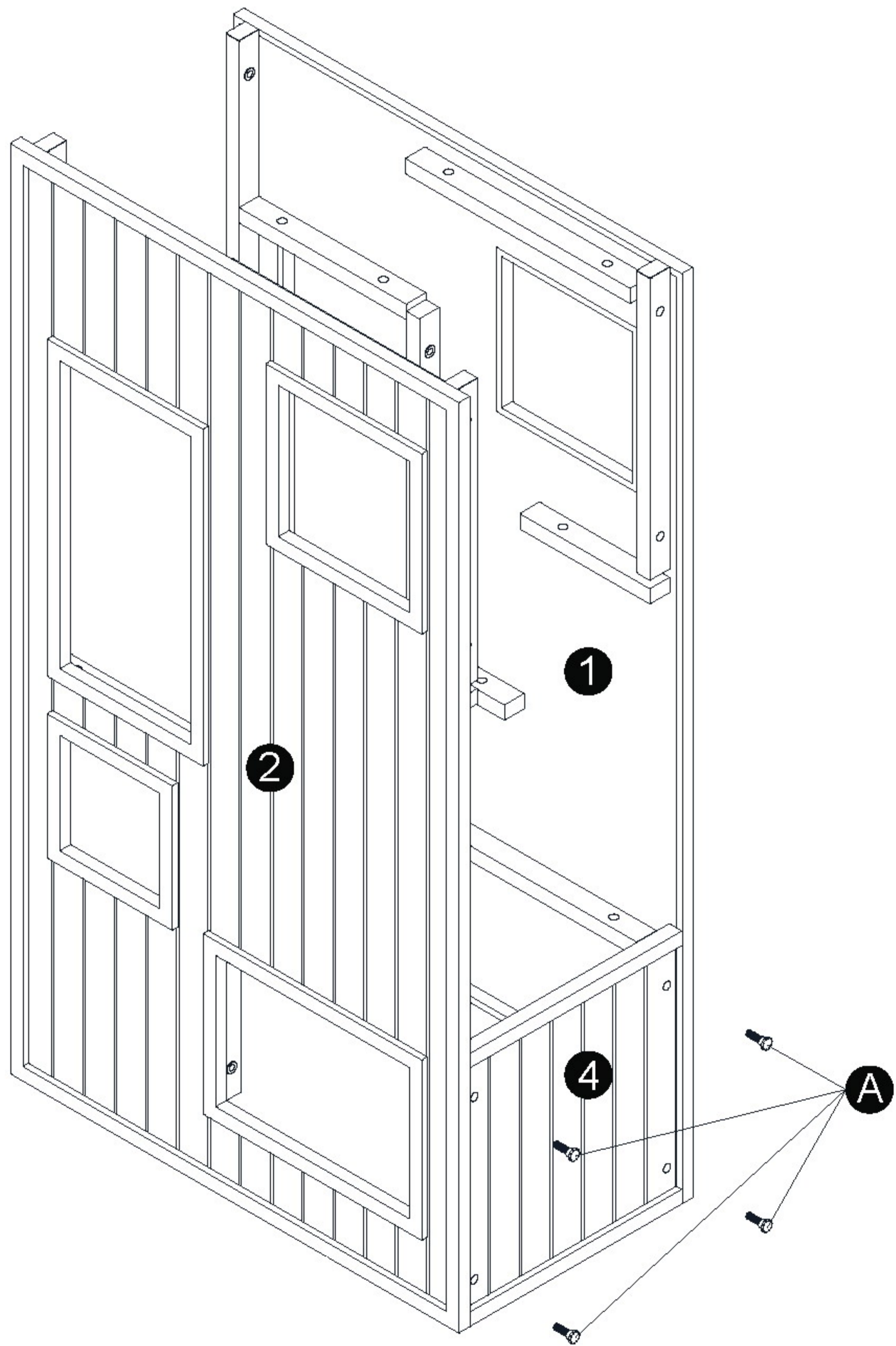
Step 1 .



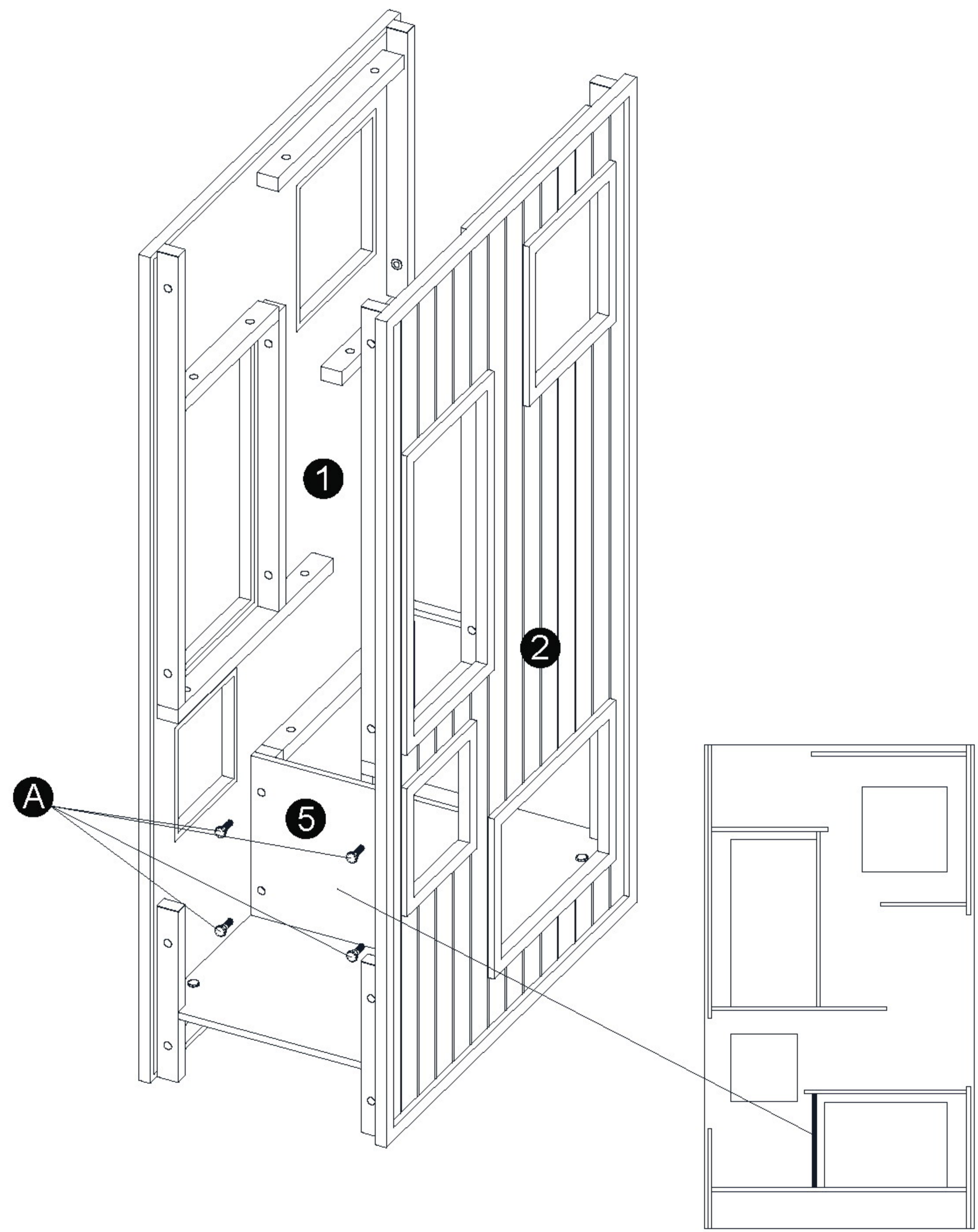
Step 2 .



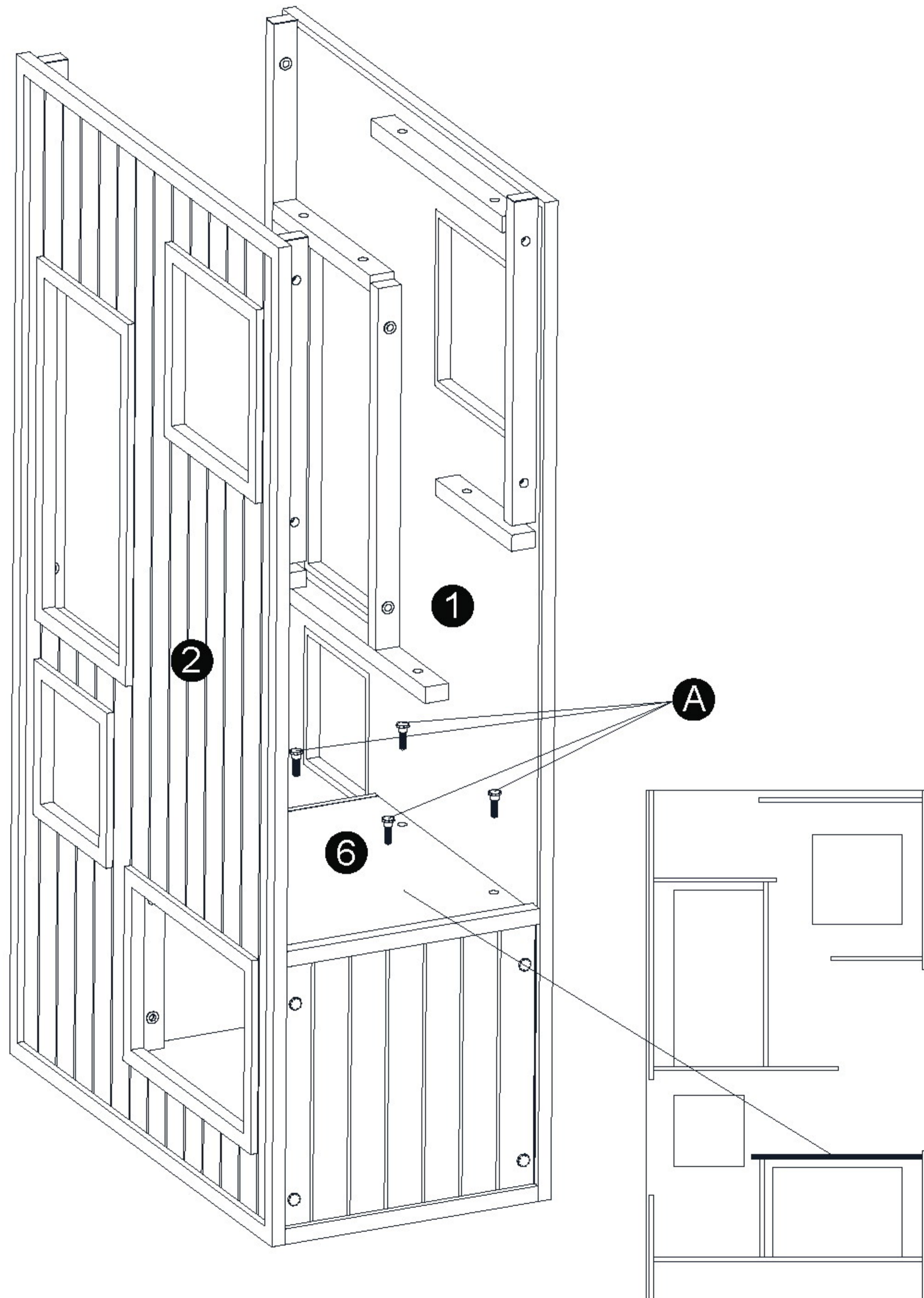
Step 3 .



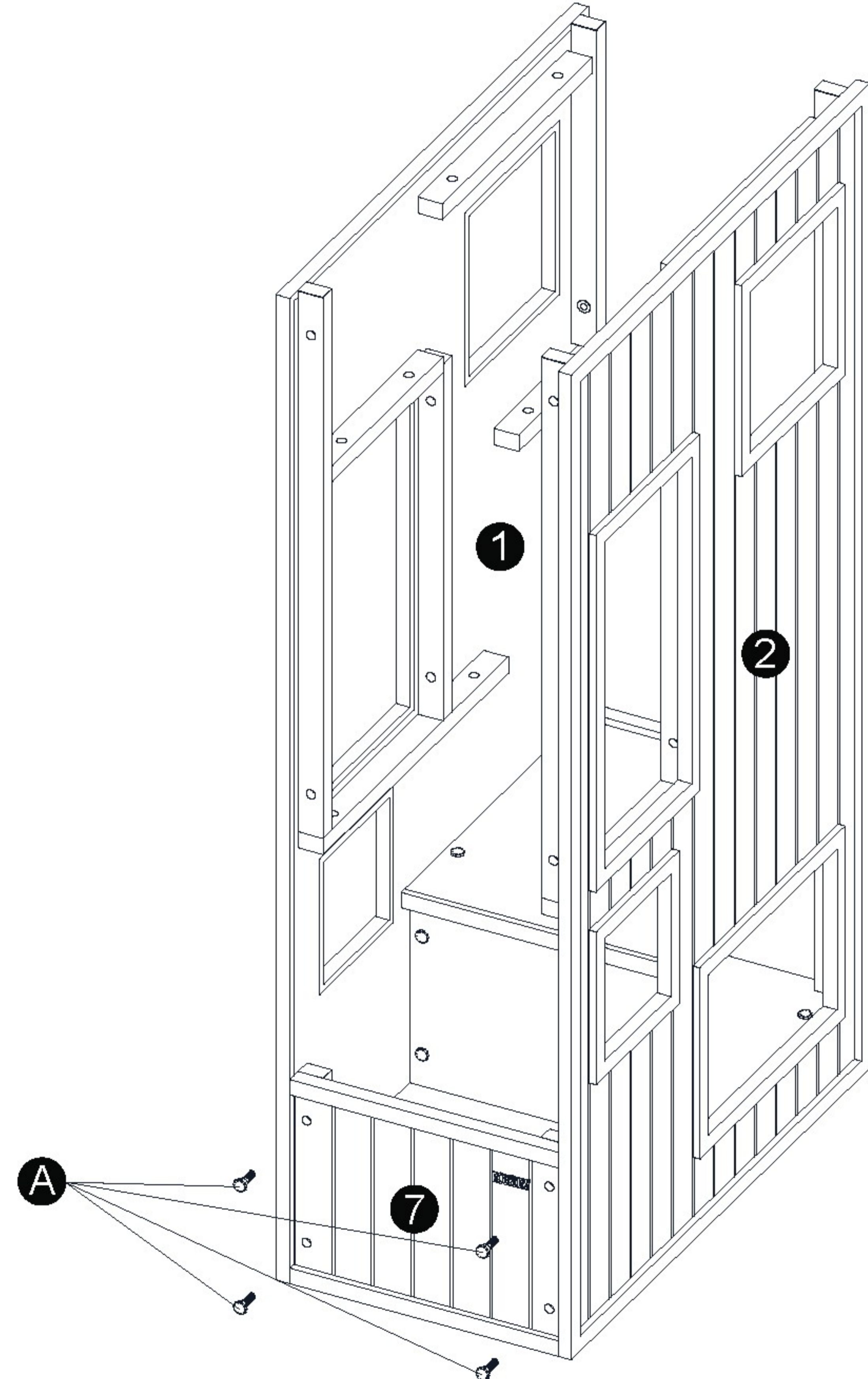
Step 4 .



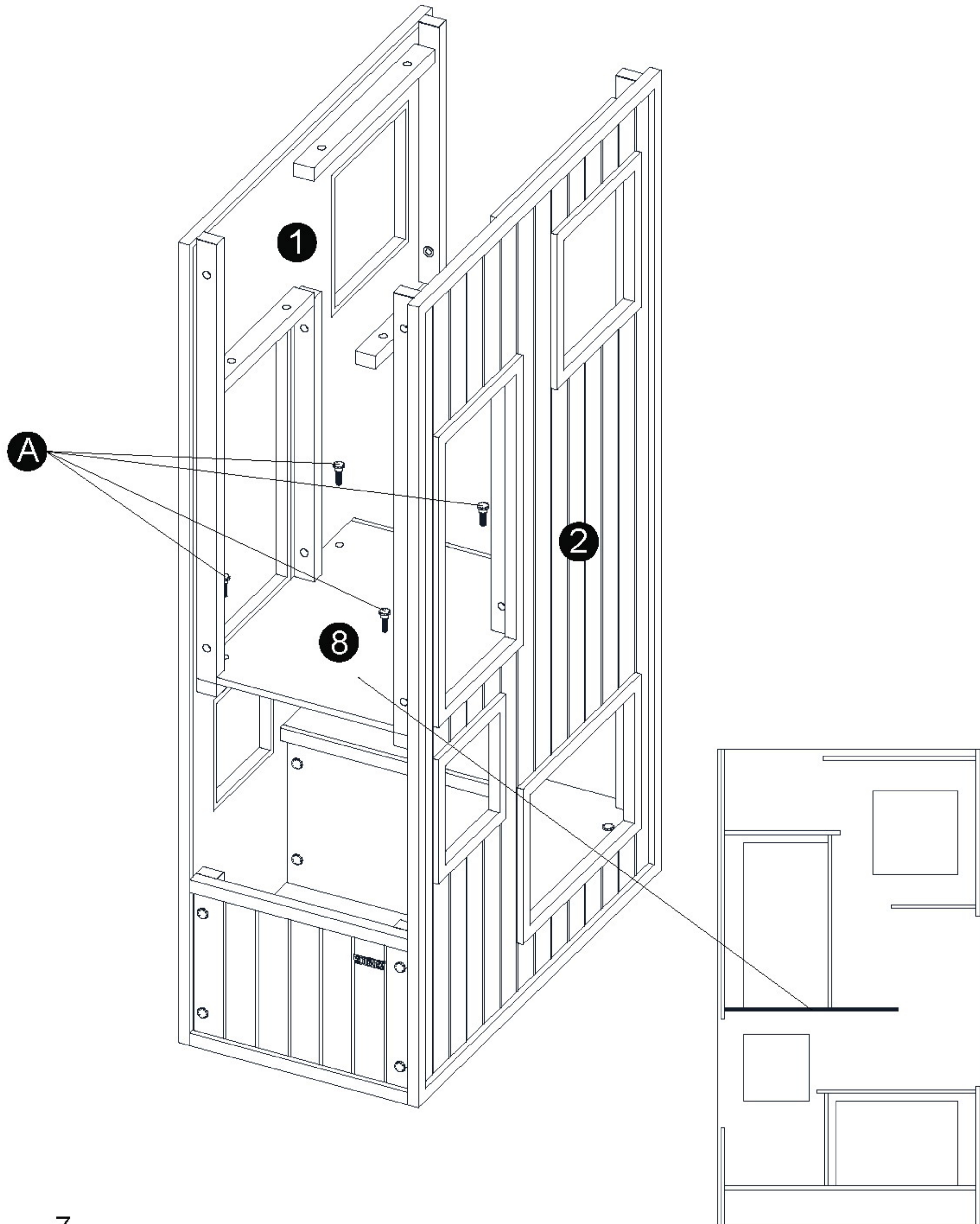
Step 5 .



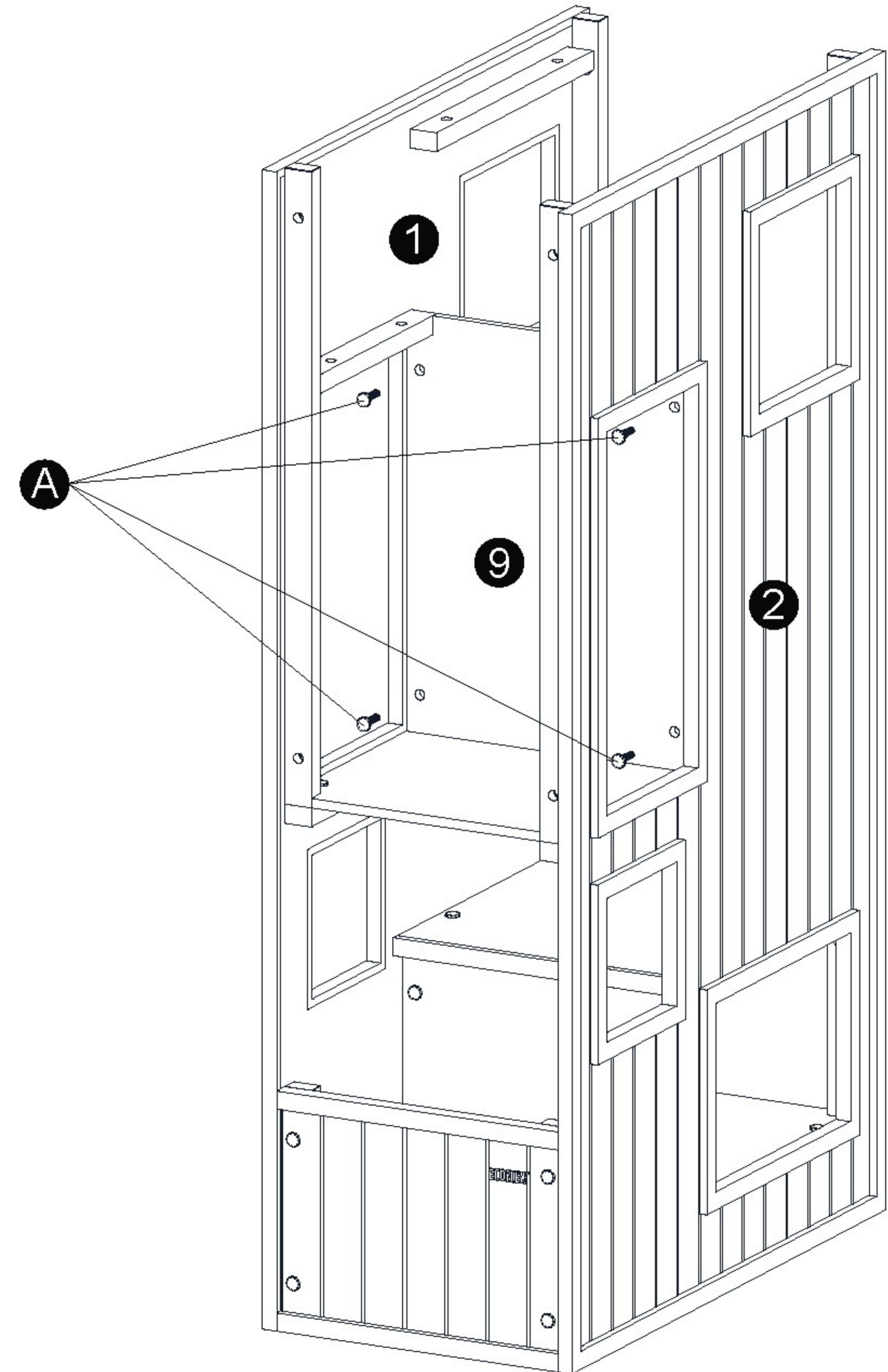
Step 6 .



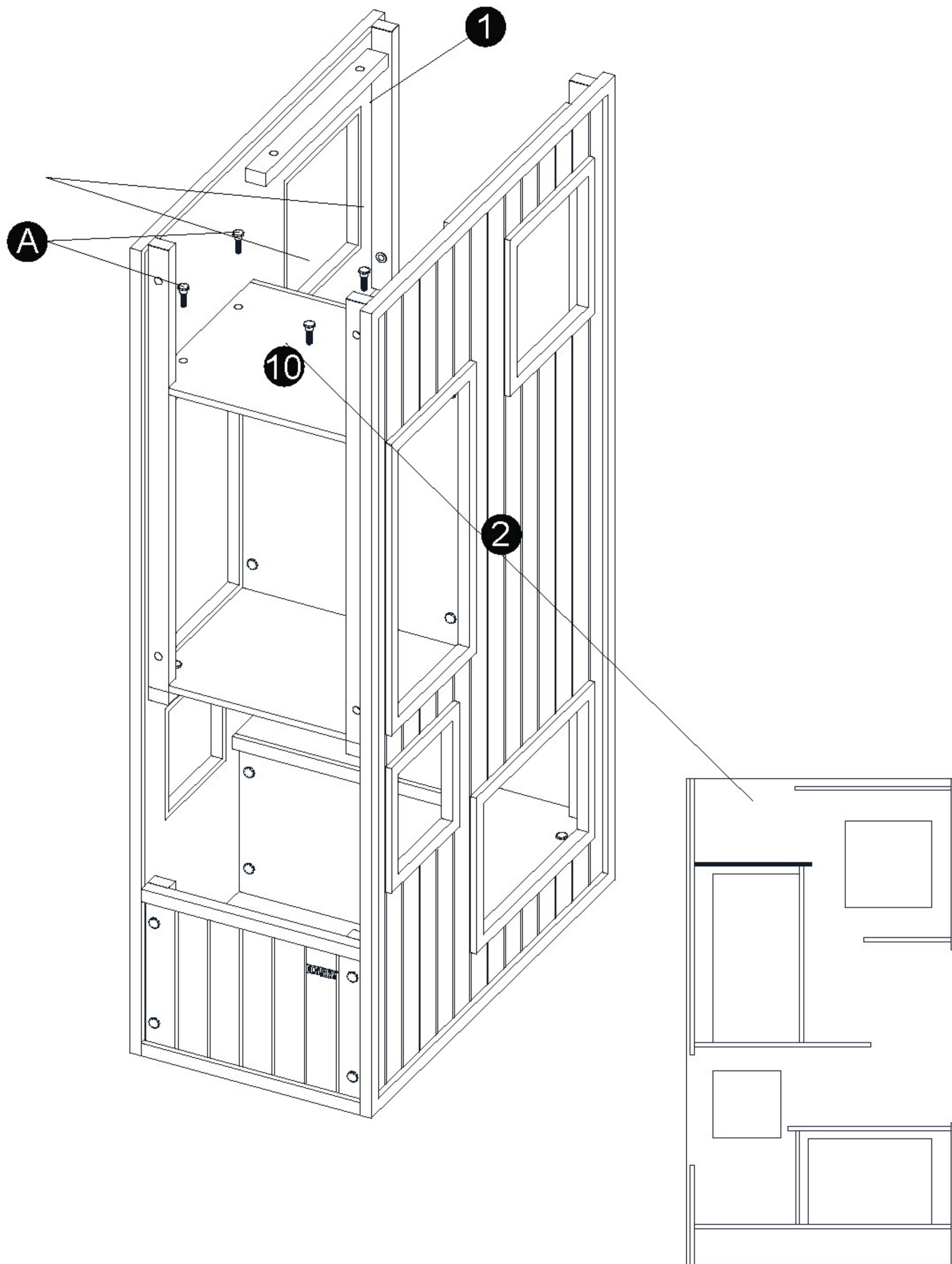
Step 7 .



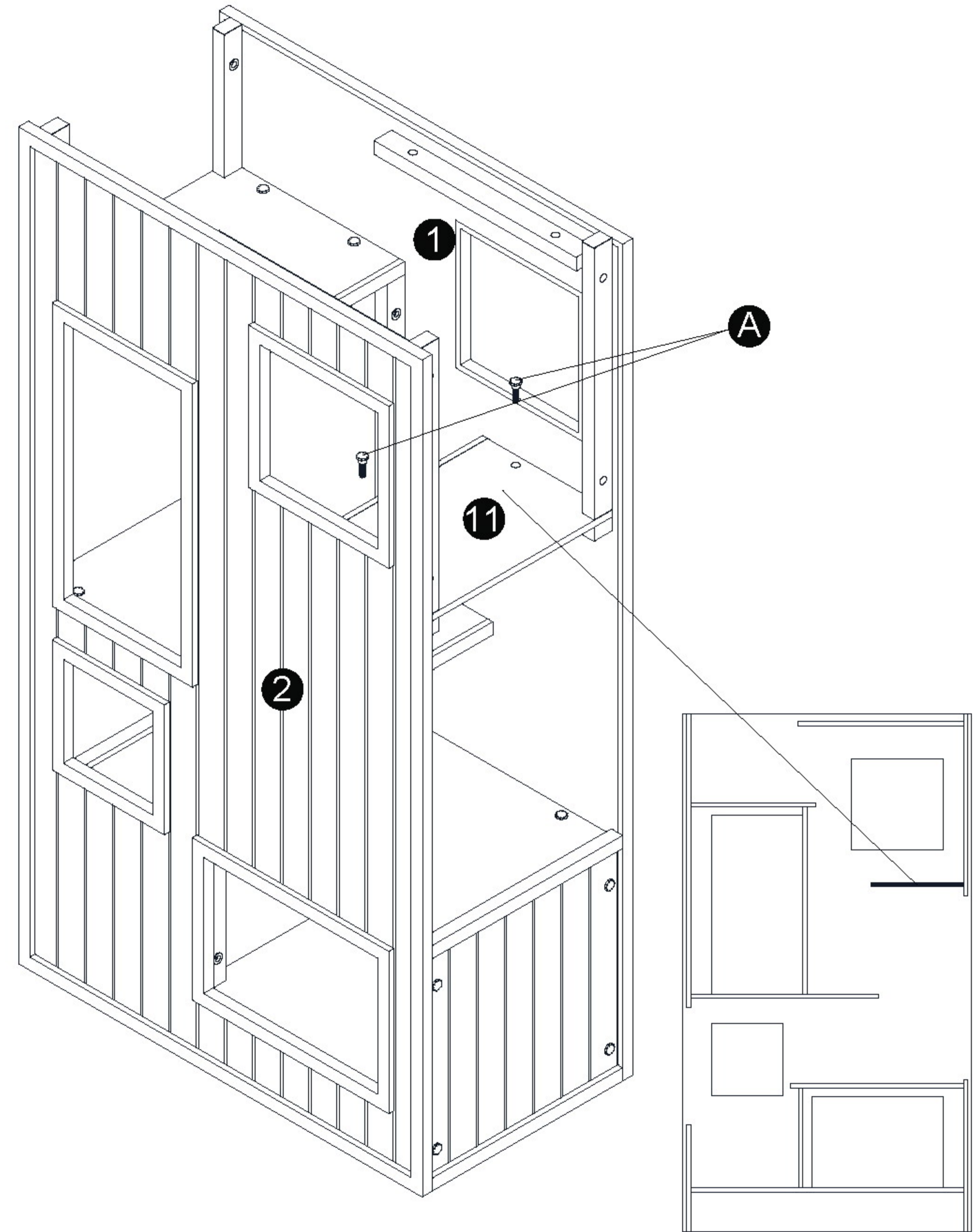
Step 8 .



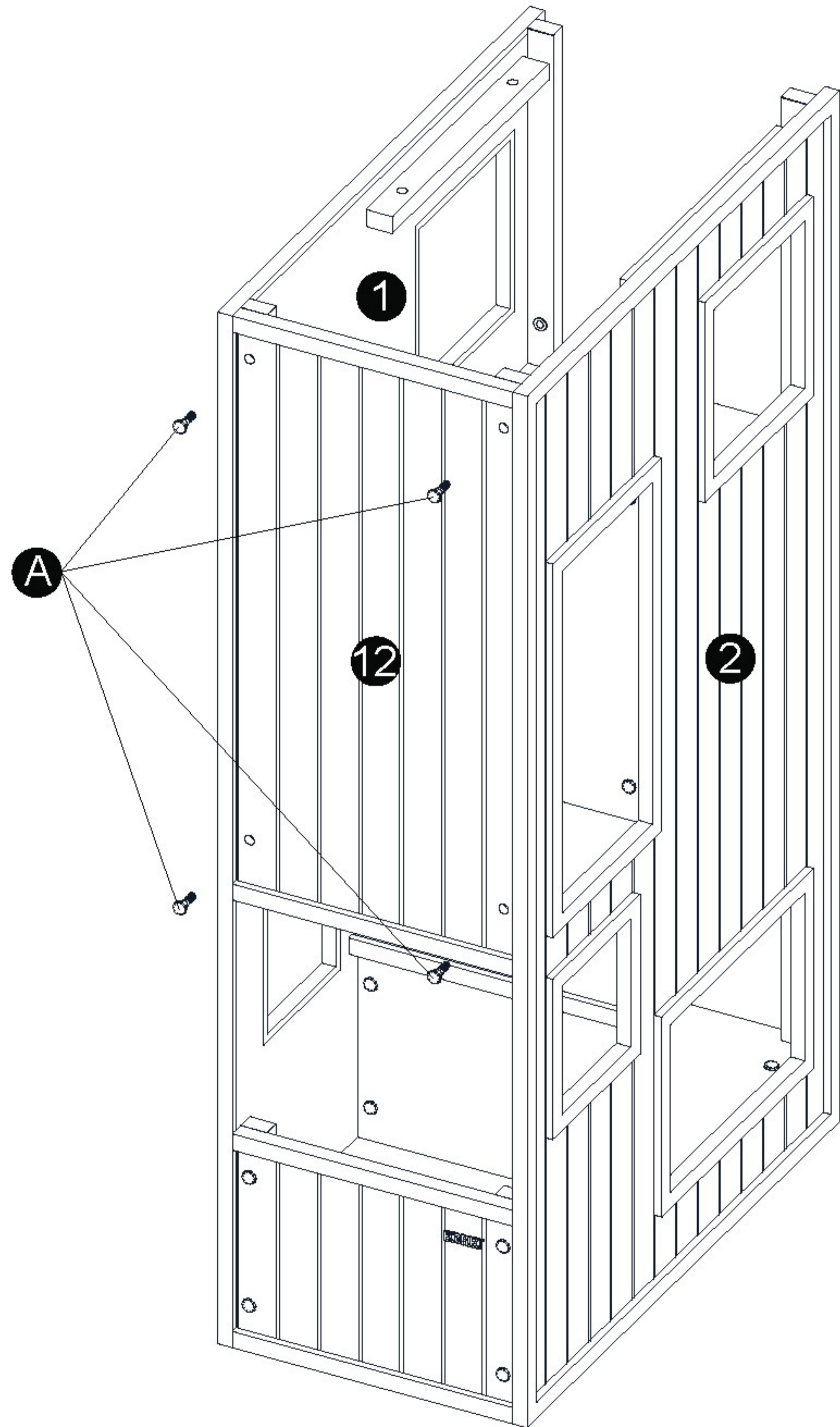
Step 9 .



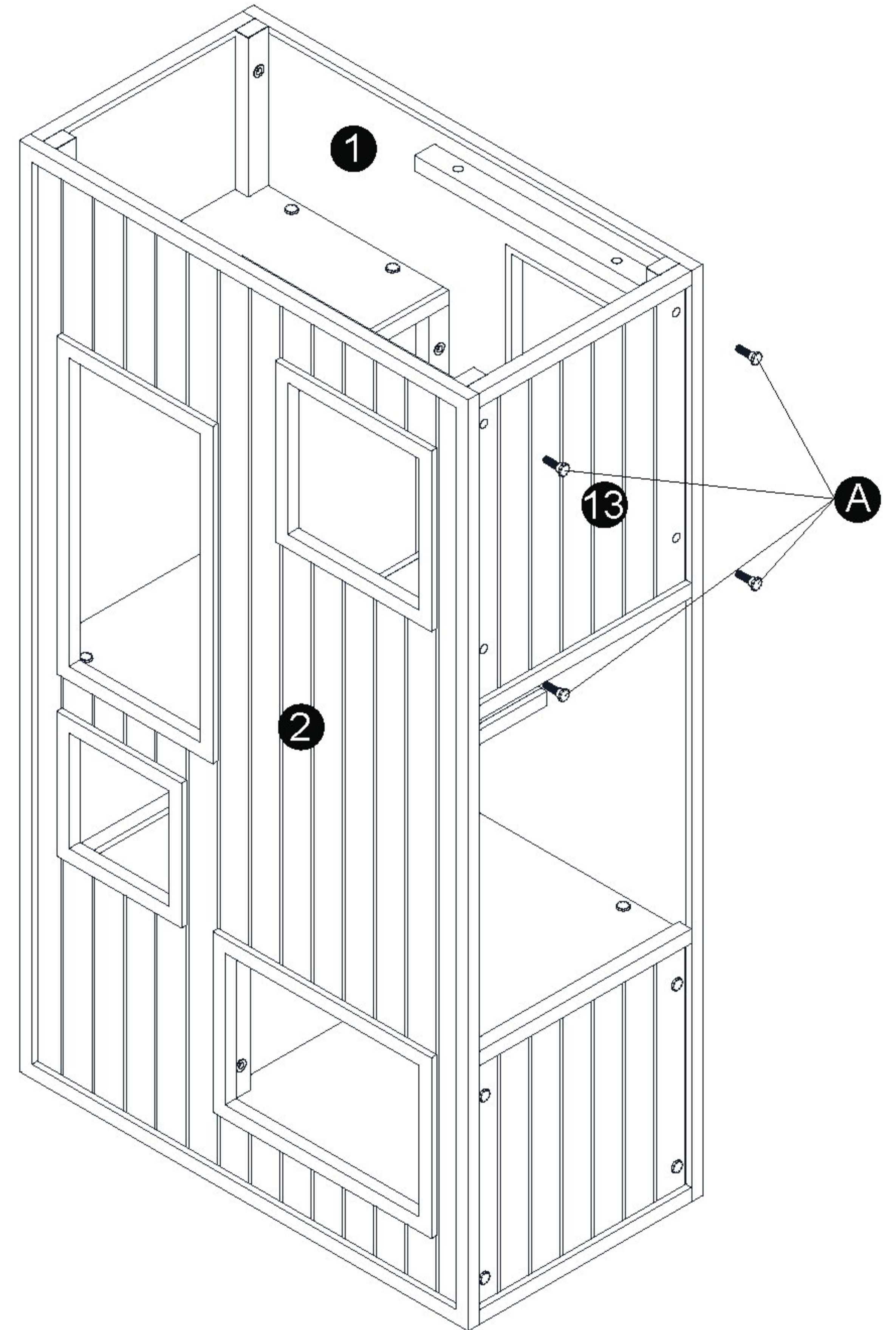
Step 10 .



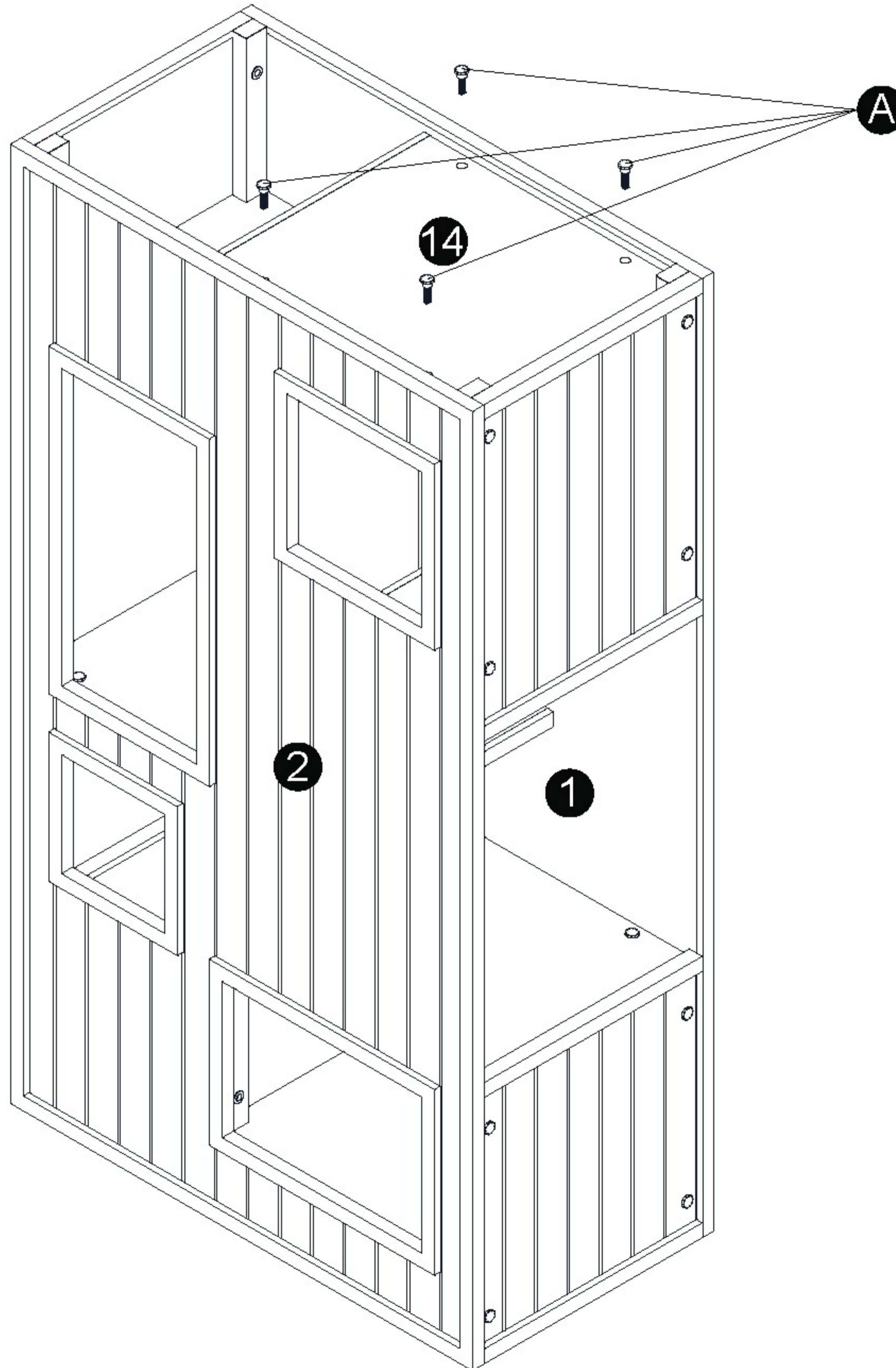
Step 11 .



Step 12 .



Step 13 .



Complete .

