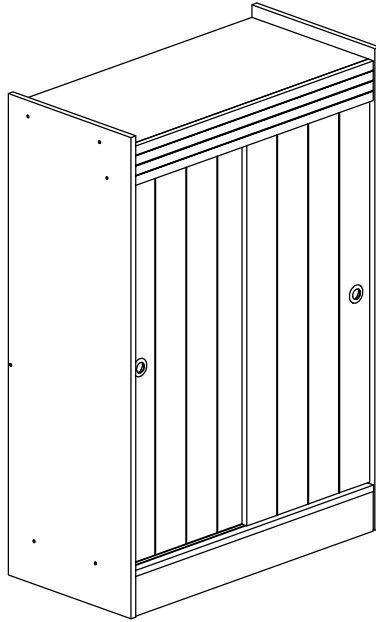
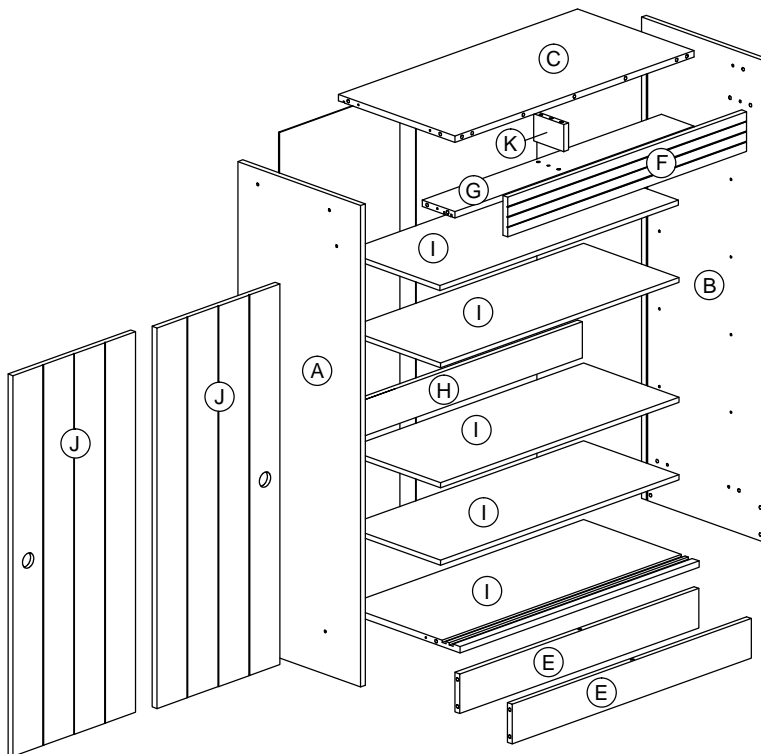


Assembly Instruction


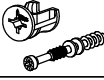

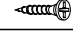
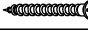

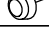
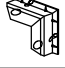







Part List



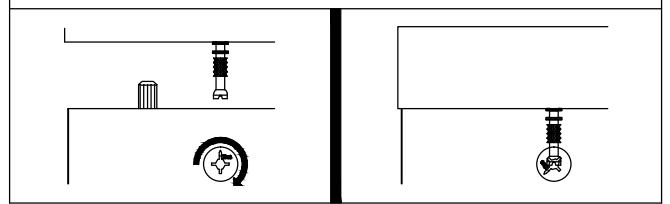
Assembly Instruction

Hardware List

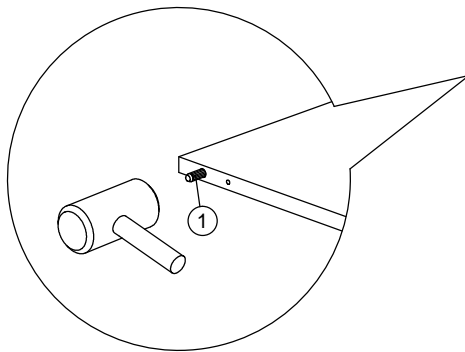
No.	SHAPE	DESCRIPTION	Qty.
1		8x25mm Wood Dowel	32Pcs
2		15MM Titus Mini Fix	4Sets
3		Screw Cap	12Pcs
4		M3x16mm Screw	20Pcs
5		M5x38mm Screw	13Pcs
6		Shelf Support	16Pcs
7		Nail Leg	6Pcs
8		Z Bracket (Big)	2 Pcs
9		PVC Sliding Lining - M118 (746mm)	2Pcs

10		Sliding Roller T446	4Sets
11		Handle 296 - Ø35mm	2Pcs
12		Nail	8Pcs
13		H Profile (987mm)	1Pc

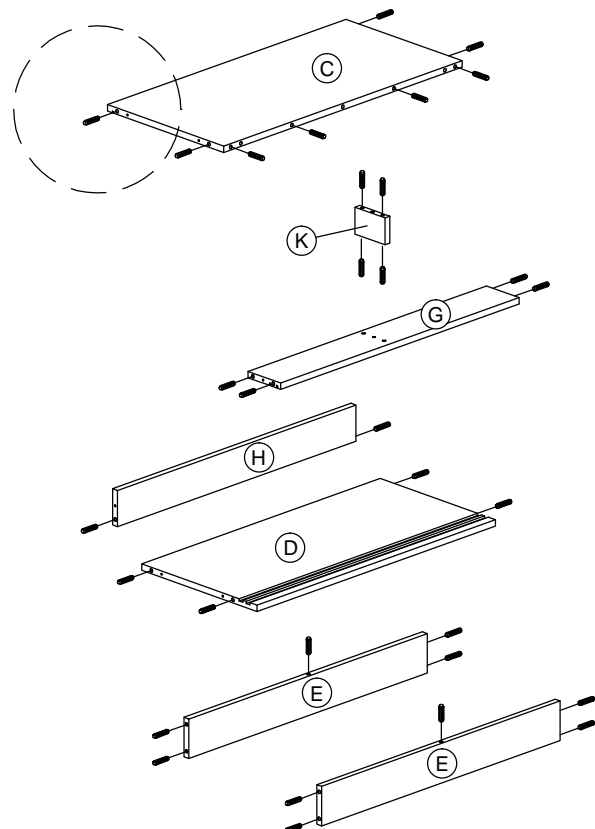
Dowel / Cam - Lock Installation



STEP 1

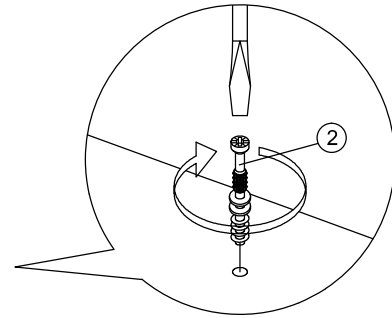
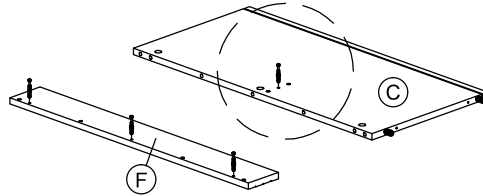


***Install (32Pcs) 8x25mm Wood Dowel into all panels as shown.**



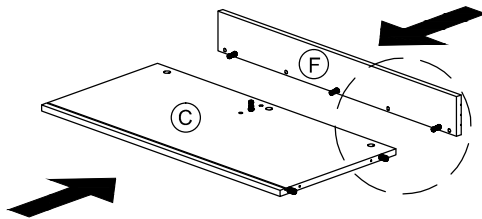
Assembly Instruction

STEP 2

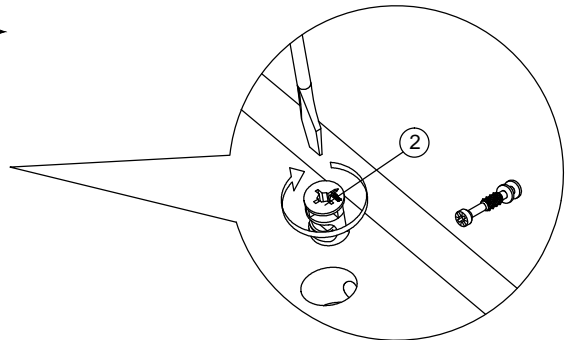


****Install minifix bolt to (C)&(F) panels as shown.***

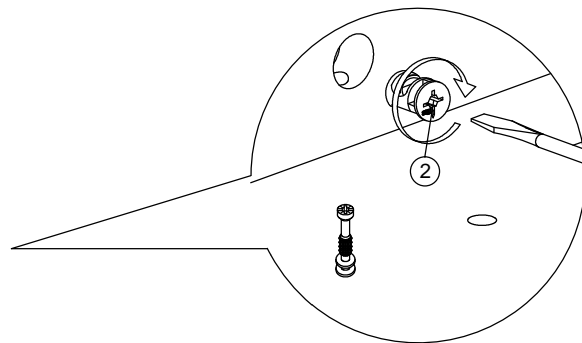
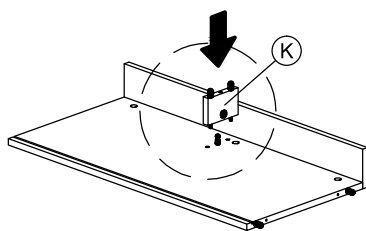
STEP 3



****Assemble (C) & (F) panel, secure with Minifix as shown.***



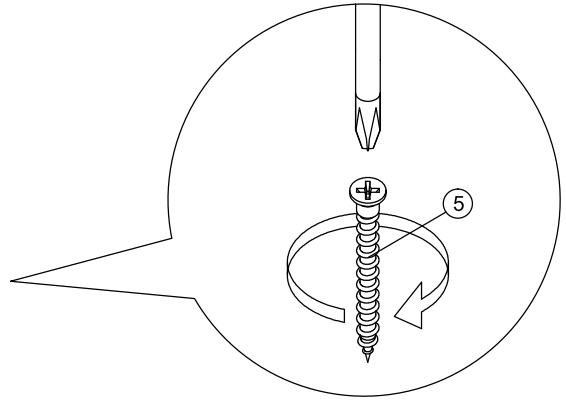
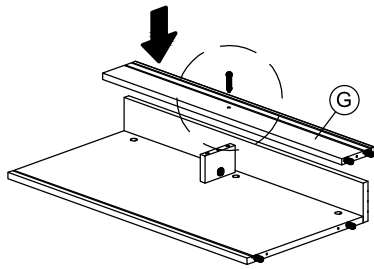
STEP 4



****Assemble (K) panel, secure with Minifix as shown.***

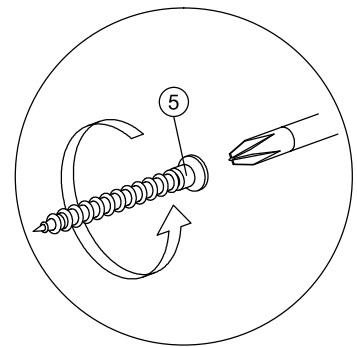
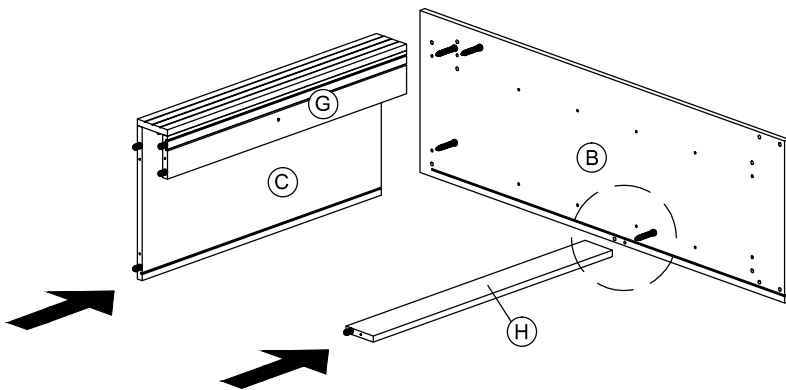
Assembly Instruction

STEP 5



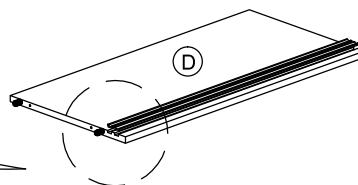
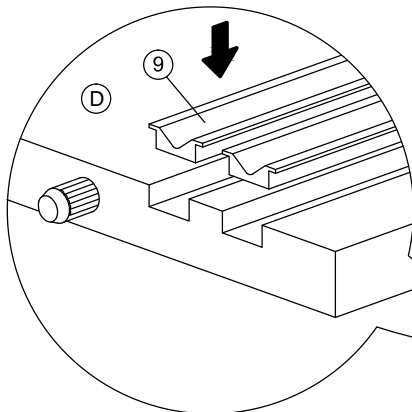
***Assemble (G) panel, secure with Screw as shown.**

STEP 6



***Assemble (B),(C),(G)&(H) panels, secure with Screw as shown.**

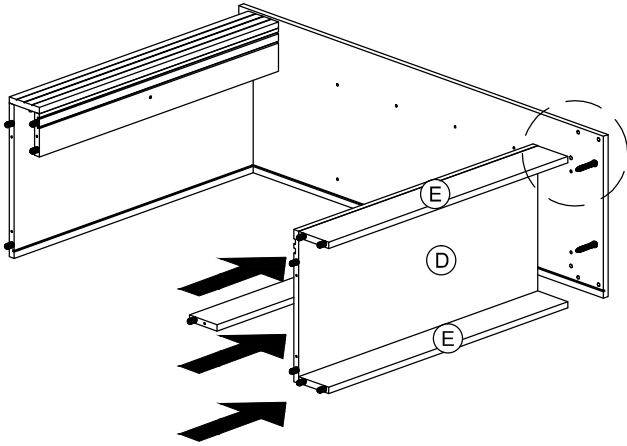
STEP 7



***Attach 2pcs PVC Sliding Lining Rail as shown.**

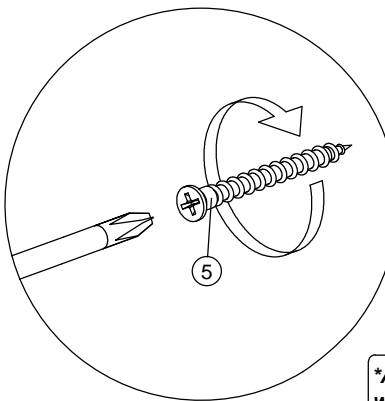
Assembly Instruction

STEP 8

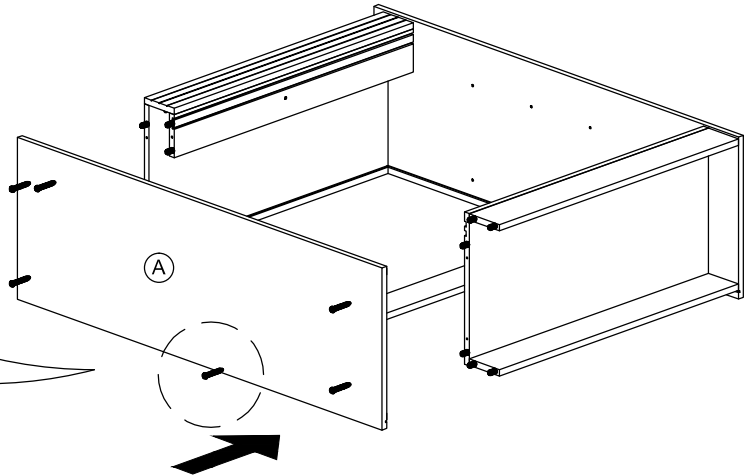


**Assemble (D) & (E) panels, secure with Screw as shown.*

STEP 9

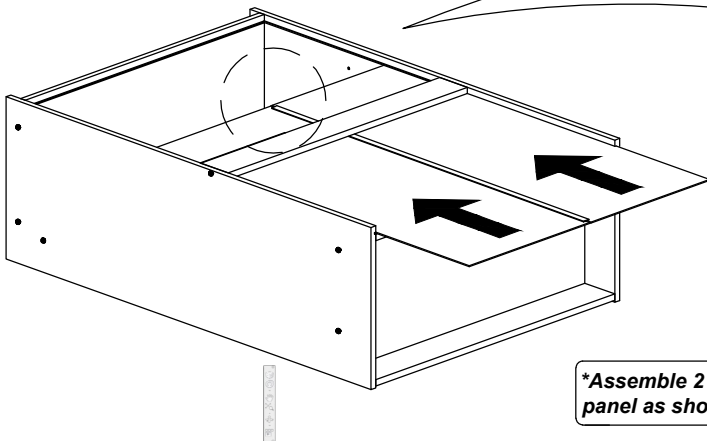


**Assemble (A) panel, secure with Screw as shown.*

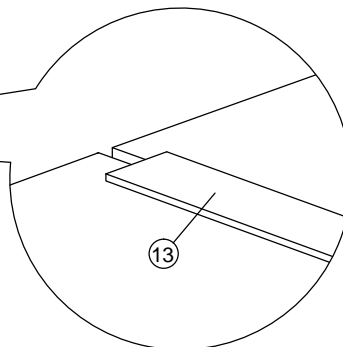


STEP 10

**Insert H Profile between back panel as shown*

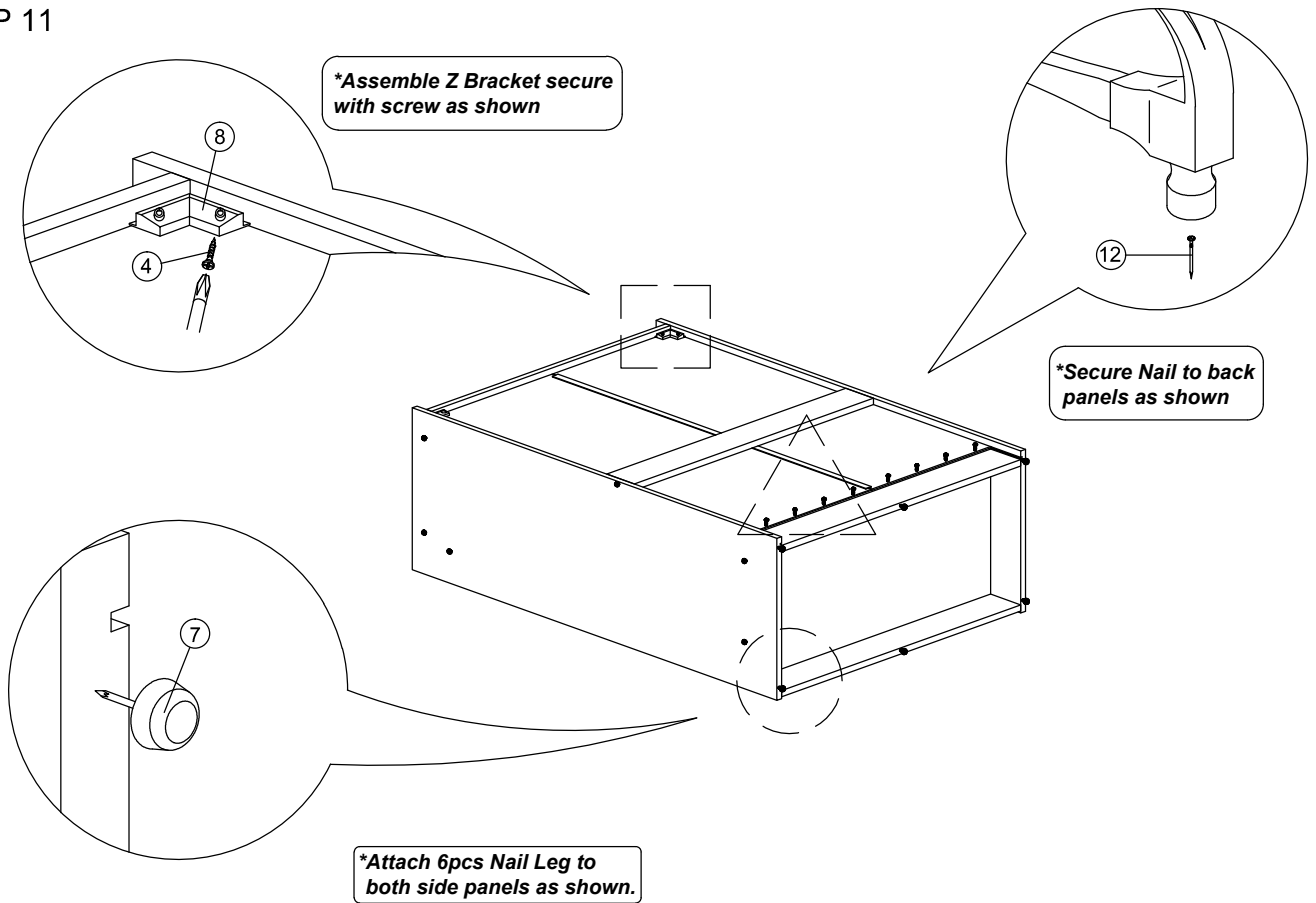


**Assemble 2 Pcs back panel as shown*

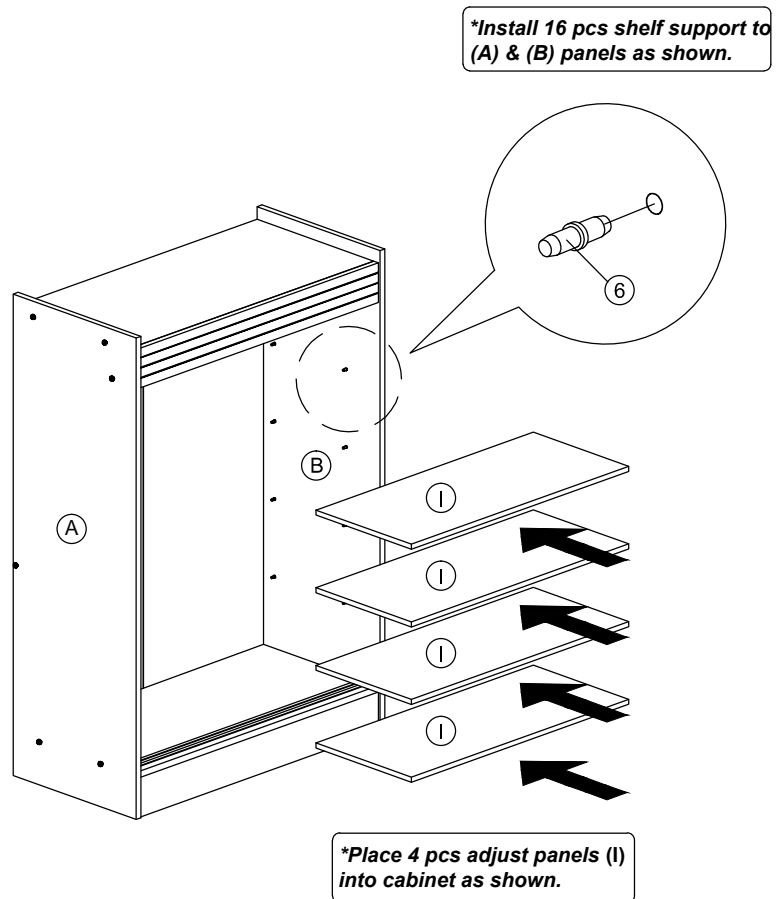


Assembly Instruction

STEP 11

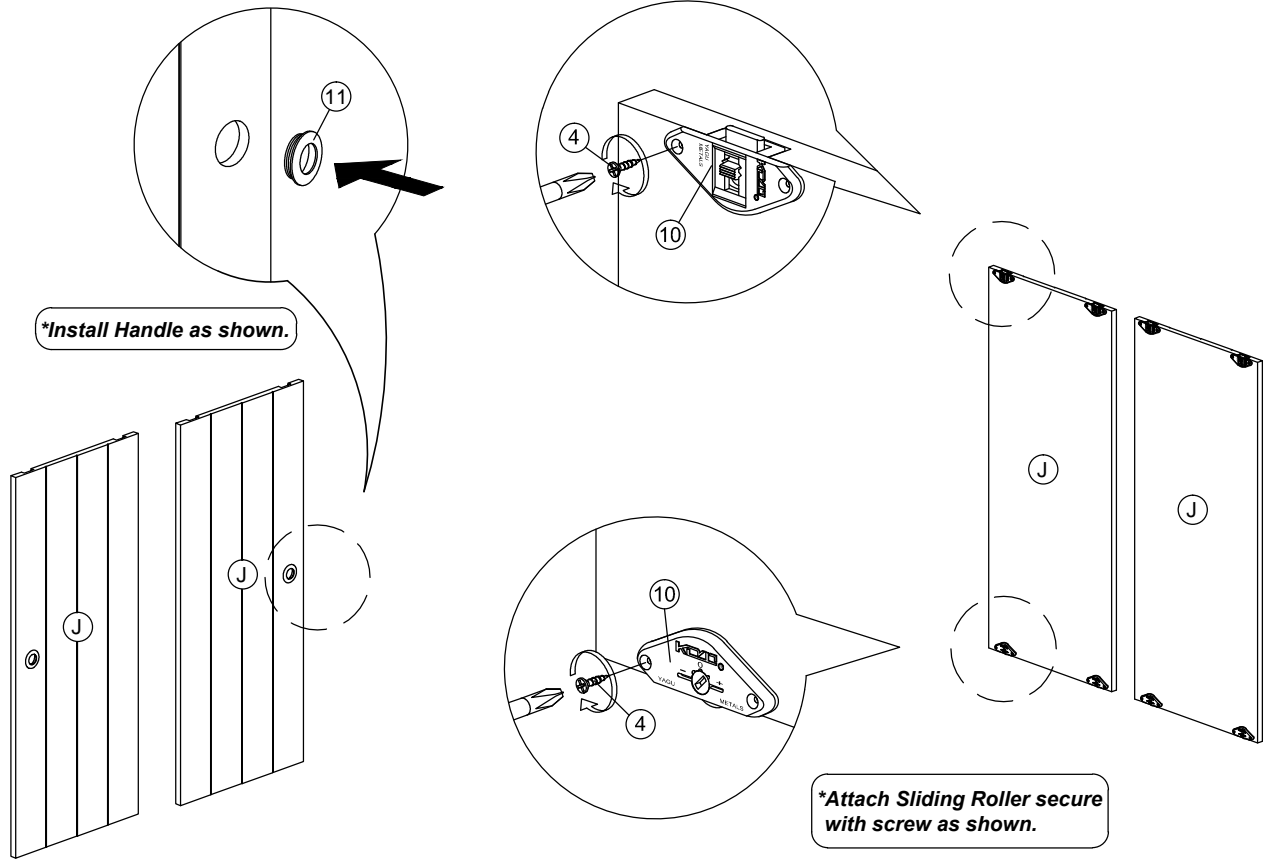


STEP 12

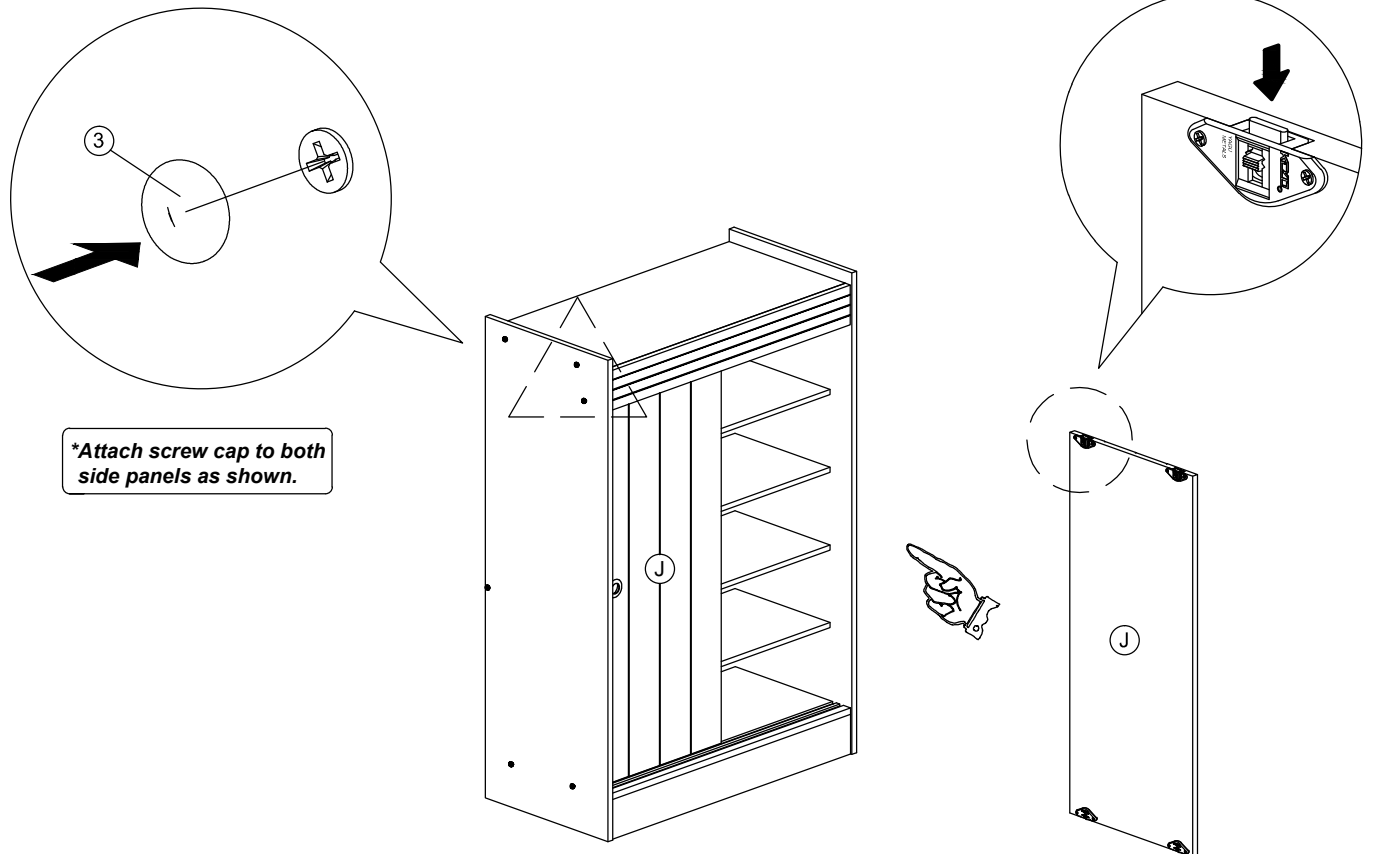


Assembly Instruction

STEP 13



STEP 14



***Press Sliding Roller before place doors into the cabinet as shown.**