

**INSTRUCTION MANUAL ENCLOSED**

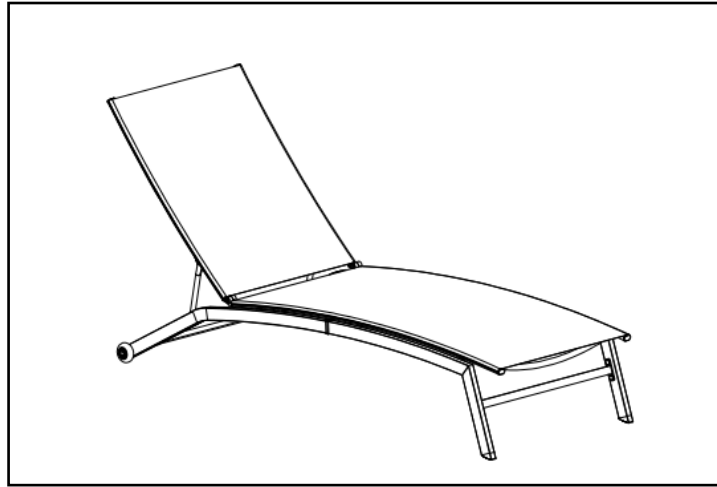
**ATTENTION**

**IF YOU HAVE ANY PROBLEMS OR QUESTIONS, EMAIL OR CALL  
CUSTOMER SERVICE BEFORE YOU RETURN THIS PRODUCT TO THE  
STORE WHERE IT WAS PURCHASED.**

**INSTRUCTION MANUAL ENCLOSED**

# Chaise Lounge

## CHAISE LOUNGE ASSEMBLY INSTRUCTION



Part	PARTS LIST Description	Quantity
<i>PARTS</i>		
AL	Chaise Lounge Leg(Left)	1
AR	Chaise Lounge Leg(Right)	1
BL	Wheeled Chaise Lounge Foot(Left)	1
BR	Wheeled Chaise Lounge Foot(Right)	1
C	Chaise Lounge Seat	1
D	Chaise Lounge Back	1
E	Support tube	1
F	Support tube	2
H	Plastic part	2
<i>HARDWARE</i>		
G	Tool	2
J	M6x18mm	2
K	Barrel nut	2
L	M6x10mm	2
M	M6x15mm	18
N	plastic end cap#1	28
O	plastic end cap#2	4

AL	x1	AR	x1	BL	x1	BR	x1
C	x1	D	x1	E	x1	F	x2
G	x2	H	x2	J	x2	K	x2
tool		plastic part		M6x18mm		barrel nut	
L	x2	M	x18	N	x28	O	x4
M6x10mm		M6x15mm		plastic end cap#1		plastic end cap#2	

# PLEASE READ AND FOLLOW ALL SAFETY TIPS

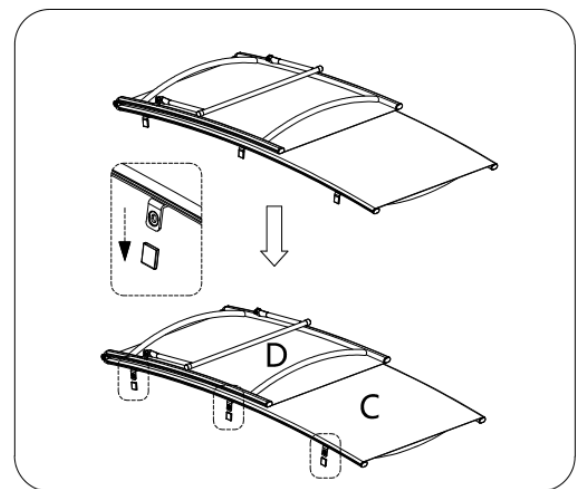
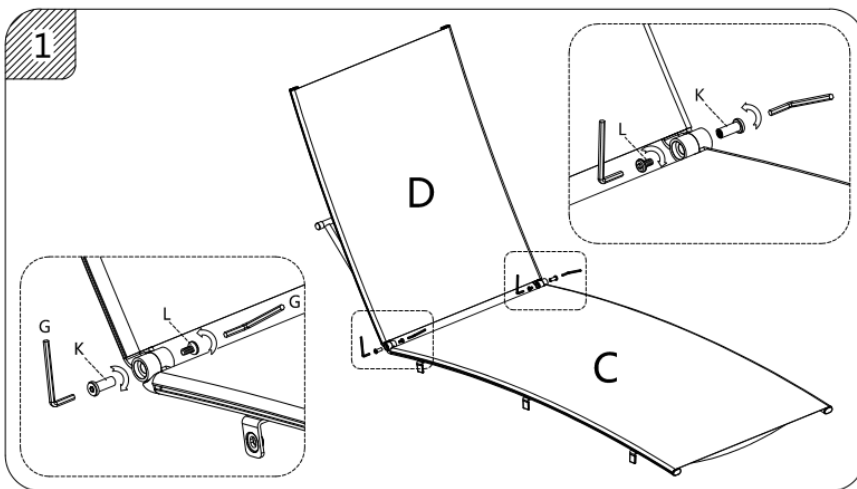
## GETTING STARTED

1. Before assembly, **CAREFULLY** use scissors or utility knife to cut and unwrap all parts. Make sure you do not discard the hardware.
2. Make sure that you have all the parts listed. If you are missing any parts, please contact Customer Service. Please identify the parts you need and model number. Make sure to include your name and address.

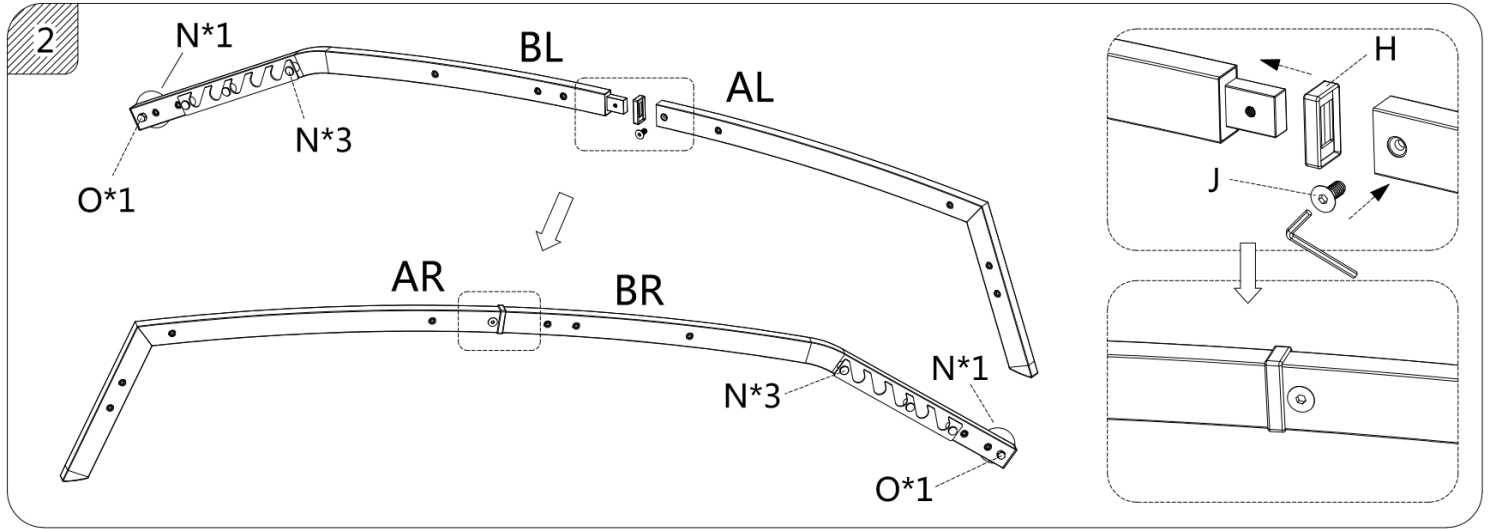
### VERY IMPORTANT TIPS:

1. The plastic covers on some metal parts are just for product protection , need to be removed before assembling.
2. Pls follow the sequence of AI during assembling.
3. Do not tighten the screws until all of them are in right positions.

Step 1: Locate back (part#D) to the seat (part#C) by aligning the pre-drilled holes .Haft fasten screws(hardware#L) with barrel nuts(hardware#K) by crossing the holes .Also get off all protective caps on the seat (part#C).

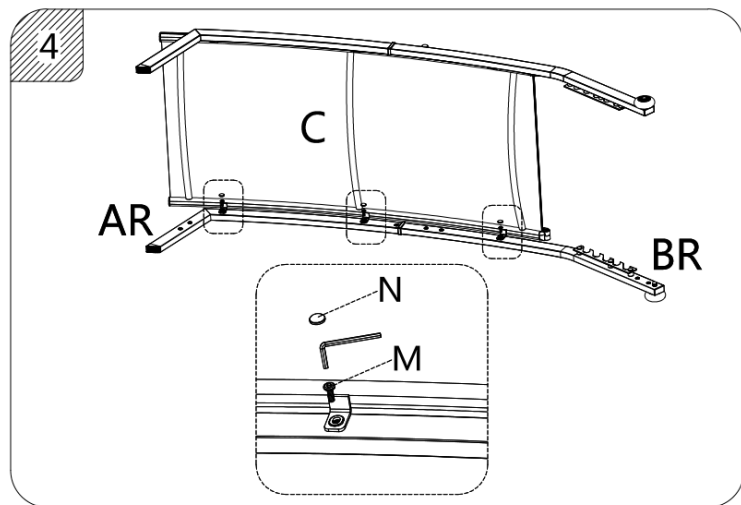
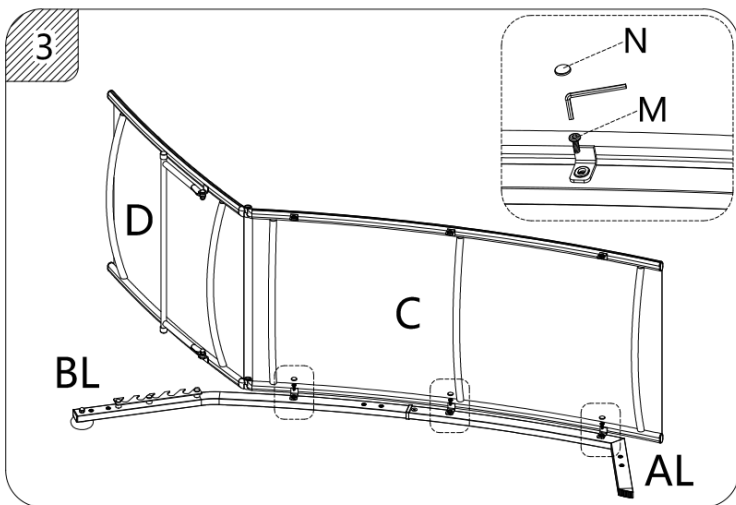


Step 2 : Insert part#BR to part#AR with Plastic part(part#H) . Haft tighten the screws (hardware#J). Also insert part#AL to part#BL with Plastic part(part#H). Haft tighten the screws(hardware#J) .



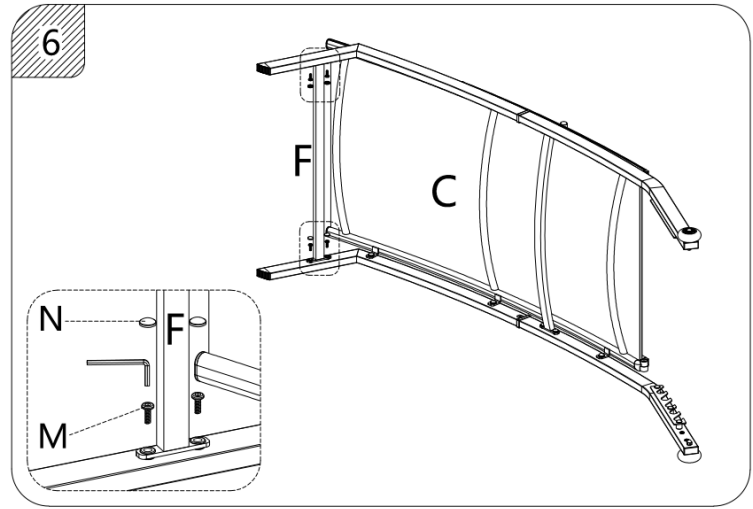
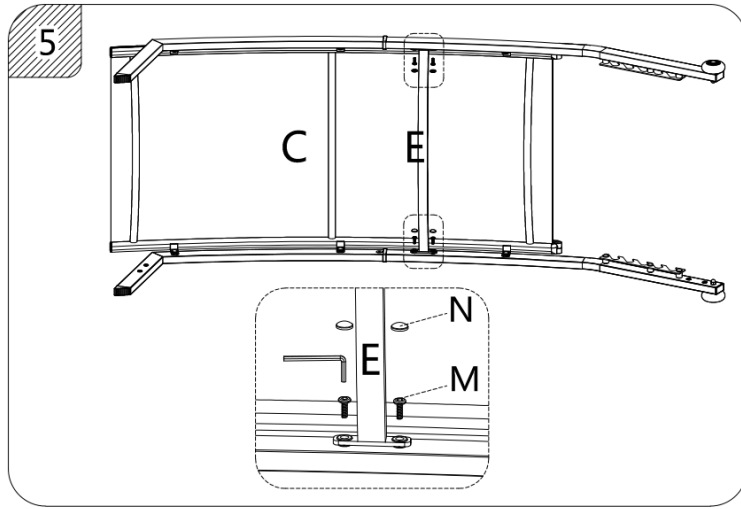
Step 3 : Place the whole Left leg on soft place . Locate the Seat (part# C) to Left leg by aligning the pre-drilled holes. Haft fasten the screws (hardware#M) by Allen key.

Step 4: Locate the Seat (part# C) to Right leg by aligning the pre-drilled holes. Haft fasten the screws(hardware#M) by Allen key.



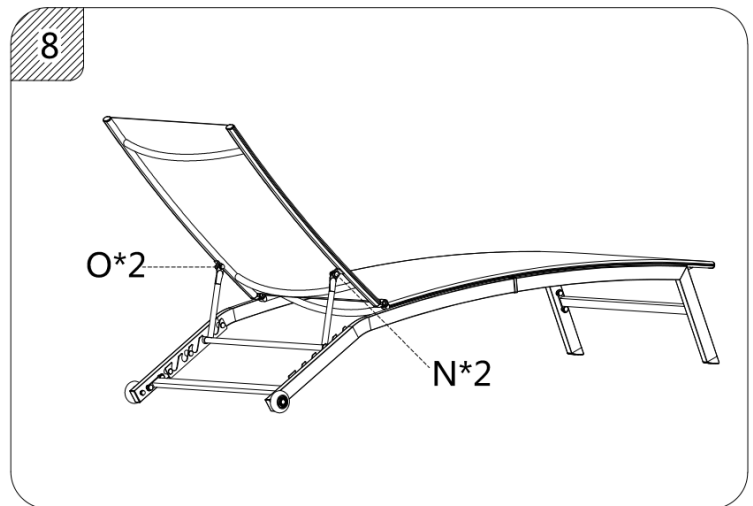
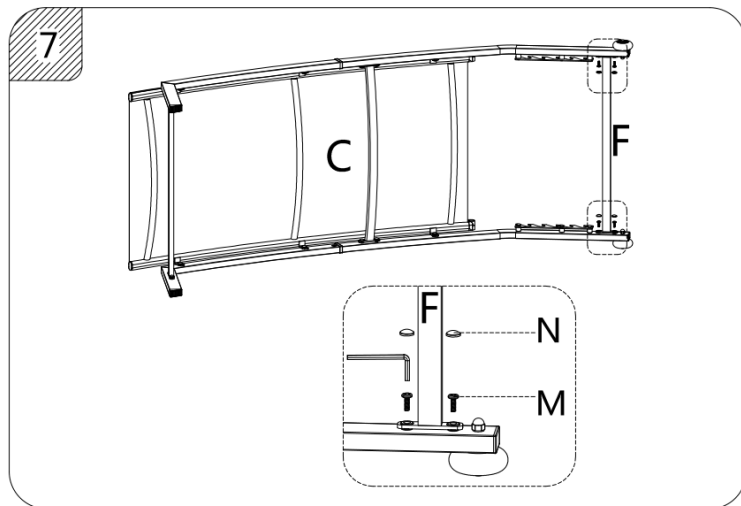
Step 5 : Locate the support tube (part#E) by aligning the pre-drilled holes .Haft tighten the screws(hardware#M) by Allen Key .

Step 6: Locate the support tube (part#F) by aligning the pre-drilled holes .Haft tighten the screws(hardware#M) by Allen Key .



Step 7: Tighten all the screws .

Step 8: Put all caps onto screws.



Till now you have finished the whole assembly. Enjoy your furniture .