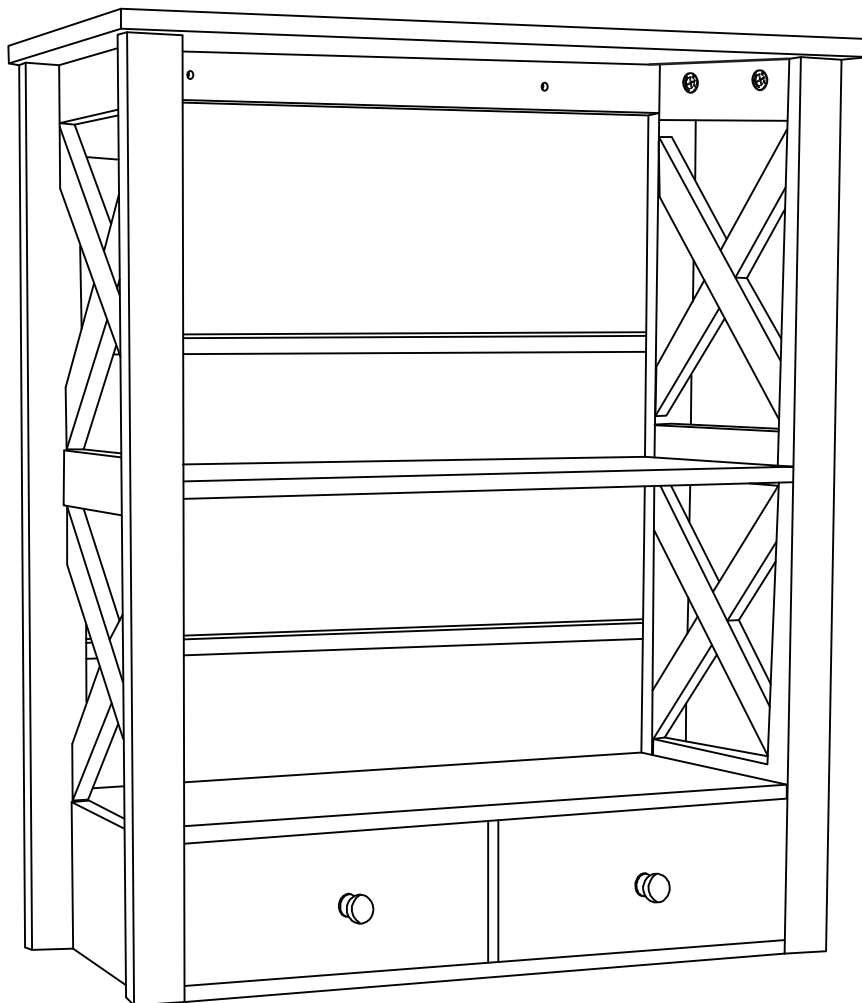


Assembly Instructions


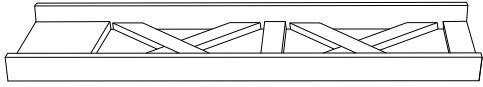
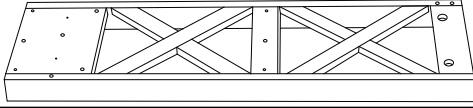

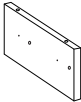
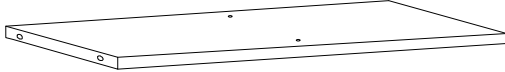
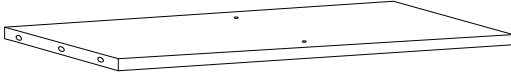
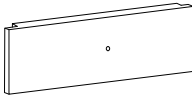
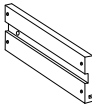
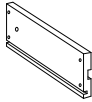







Caution : You must read this before you proceed

Please look in the magic tape for hardware packs and legs.

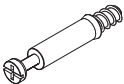
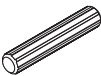






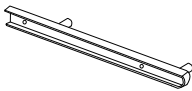
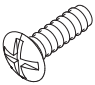



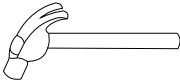
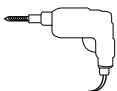
Shelf



Parts List

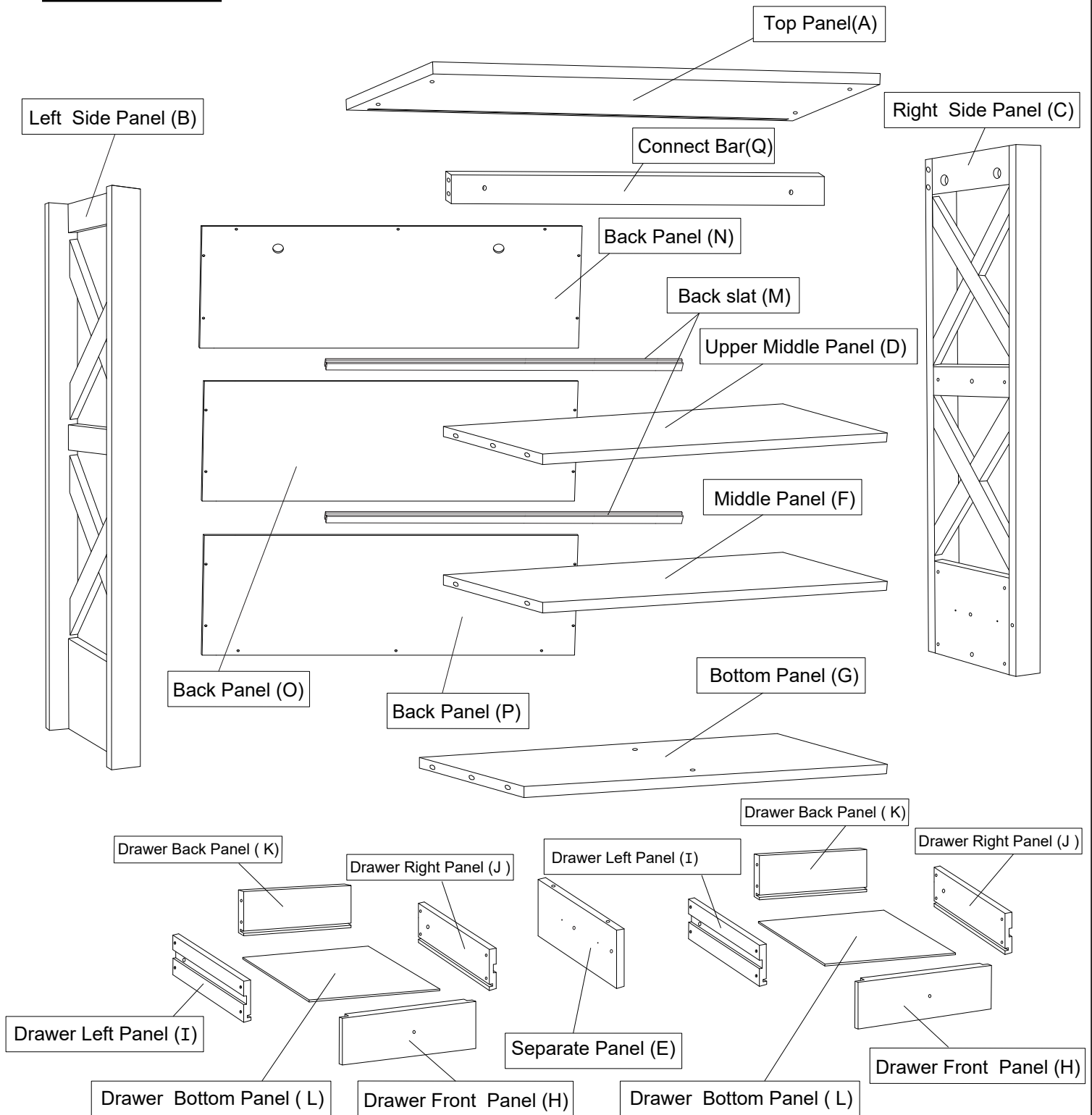
Label	Picture	Description	QTY
A		Top Panel	1
B		Left Side Panel	1
C		Right Side Panel	1
D		Upper Middle Panel	1
E		Separate Panel	1
F		Middle Panel	1
G		Bottom Panel	1
H		Drawer Front Panel	2
I		Drawer Left Panel	2
J		Drawer Right Panel	2
K		Drawer Back Panel	2
L		Drawer Bottom Panel	2
M		Back Slat	2
N		Upper Back Panel	1
O		Middle Back Panel	1
P		Back Panel	1
Q		Connect Bar	1

Hardware

Label	Picture	Description	QTY
①		Cam Bolt	13
②		Dowel	17
③		Cam Nut	13
④		Screw (M3x25mm)	17
⑤		Knob	2
⑥		Drawer Stopper	5
⑦		Screw (M3x8mm)	9
⑧		Screw (M3x10mm)	19
⑨		Slide	4
⑩		Knob Bolt (M4x16mm)	3
⑪		Wall Anchor Screw	2
⑫		Screw (M4x35mm)	3
⑬		Screwdriver (Not provided)	1
⑭		Hammer (Not provided)	1
⑮		Power Drill (Not provided)	1

Assembly Steps

Overview



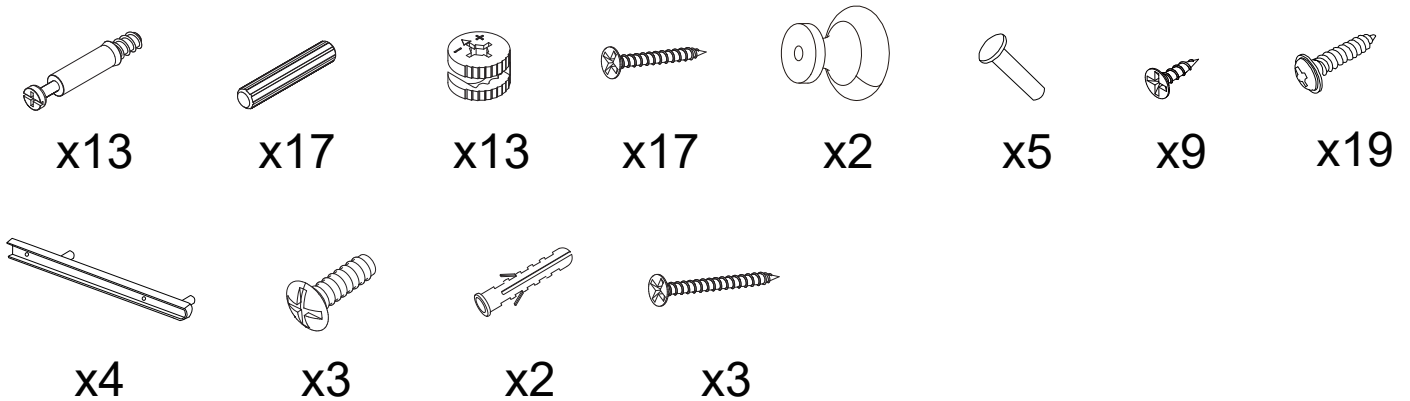
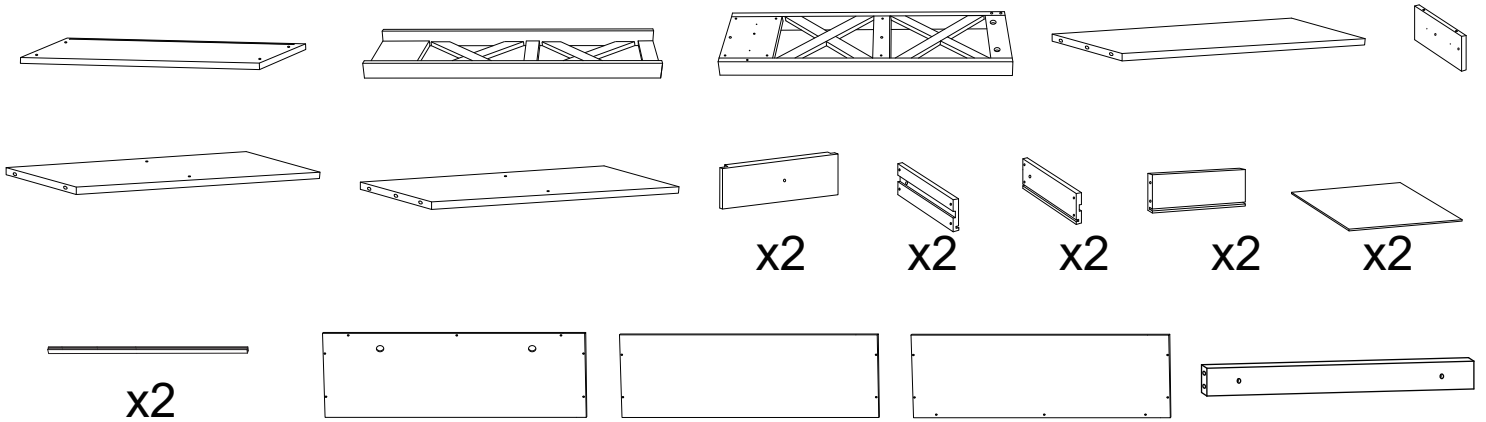
This Cabinet has multiple parts and may require up to 60 minutes to assemble.

To give you an overview of the Cabinet parts, the above picture is to help you put the various parts into perspective.

Please read through the instructions below to familiarise yourself with the parts and steps before assembly.

Assembly Preparation

Before Beginning Assembly:



- Read instructions, cover to cover-



- Have 2 adults on hand for assembly-



- Do not assemble on flooring or carpet-

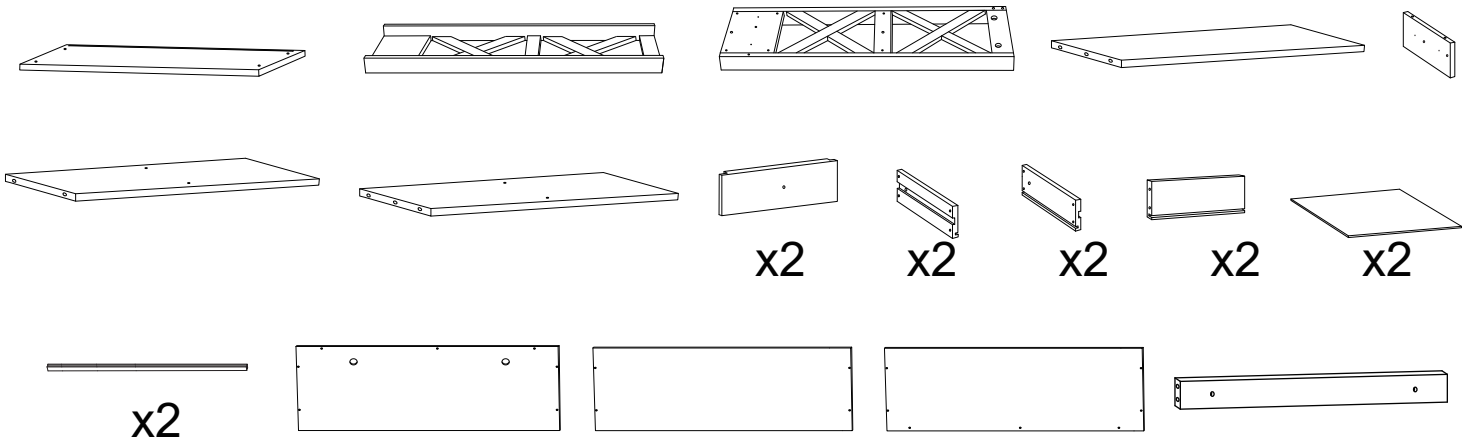


- Assemble on a clean non-marring surface (packing foam)-



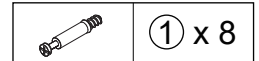
- Save all packaging until finished-

Step 1

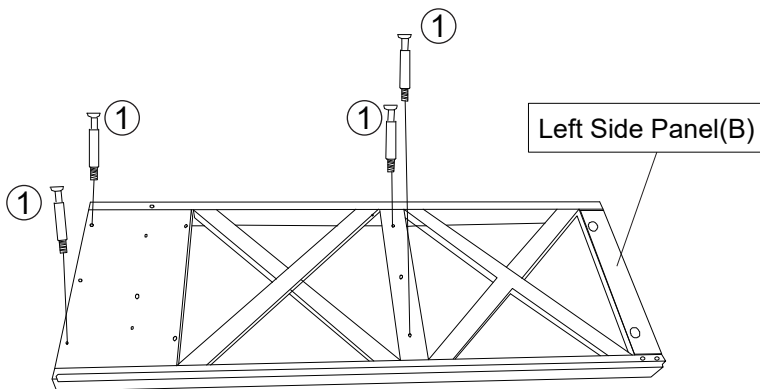


Unpack and place all parts on a clean, non-marring surface.

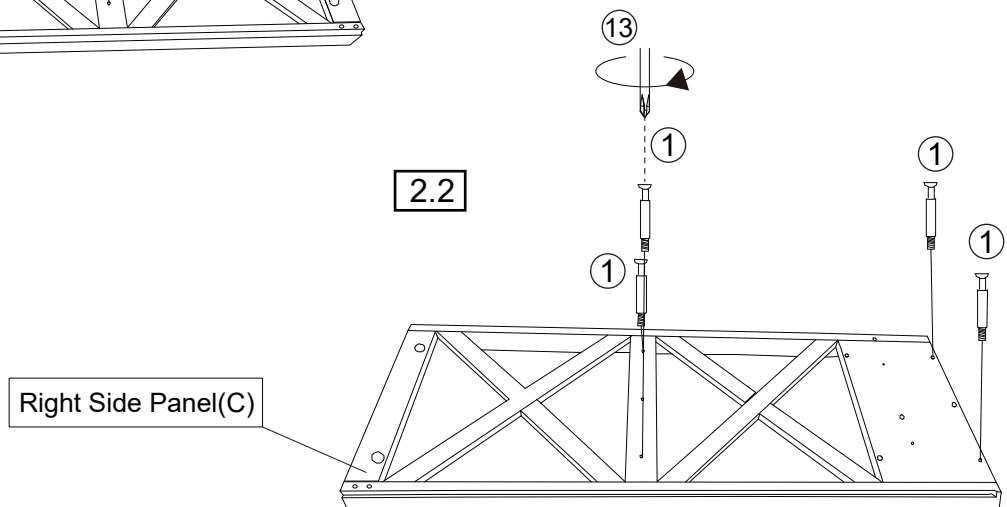
Step 2



2.1



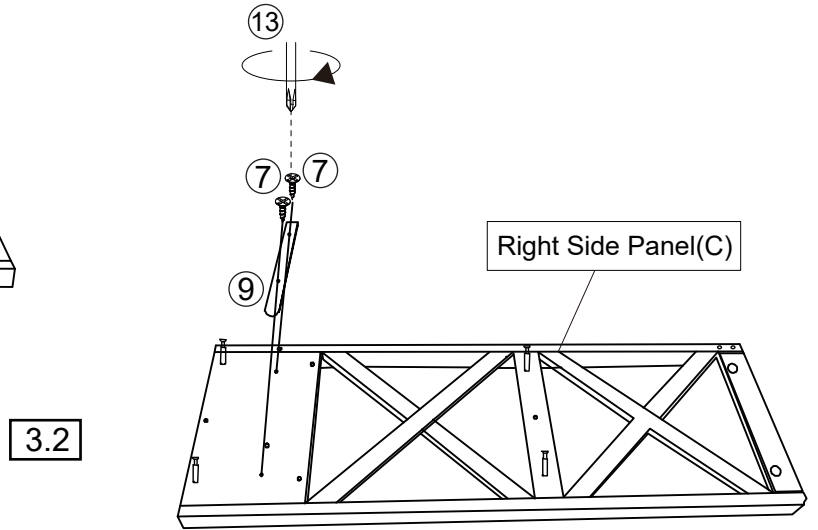
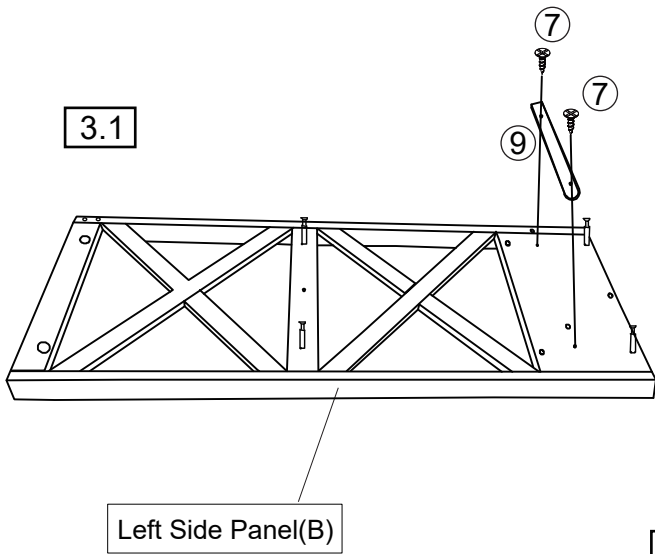
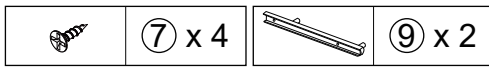
2.2



2.1) Insert Cam Bolt (①) into the mounting positions on Left Side Panel (B) using Screwdriver (⑬).

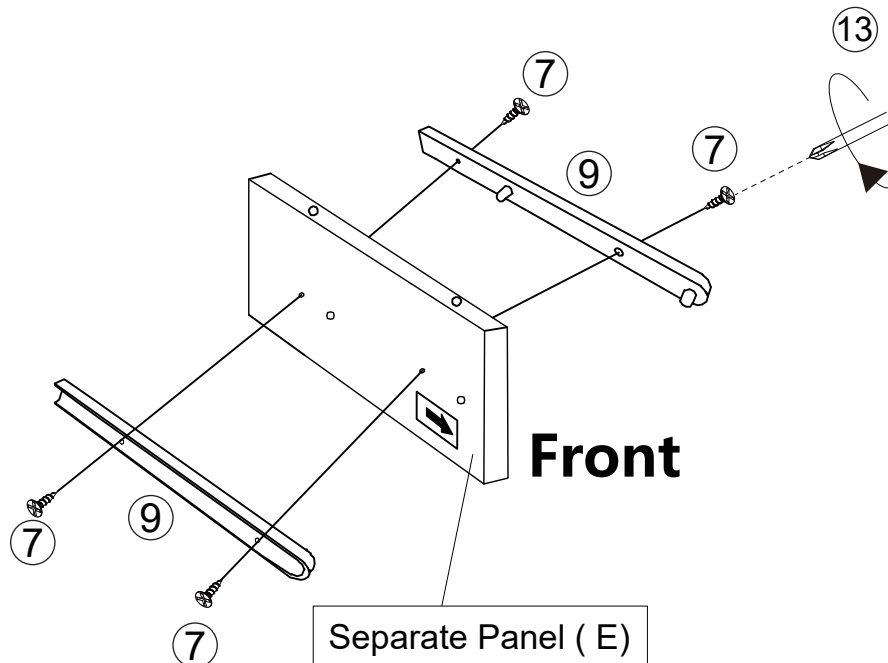
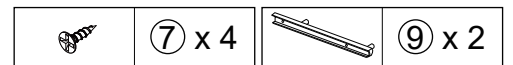
2.2) Repeat the same step with the Right Side Panel (C).

Step 3



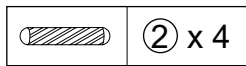
- 3.1) Attach Slide (9) on Left Side Panel (B) with Screw (7) using Screwdriver (13).
3.2) Repeat the same step with Right Side Panel (C).

Step 4



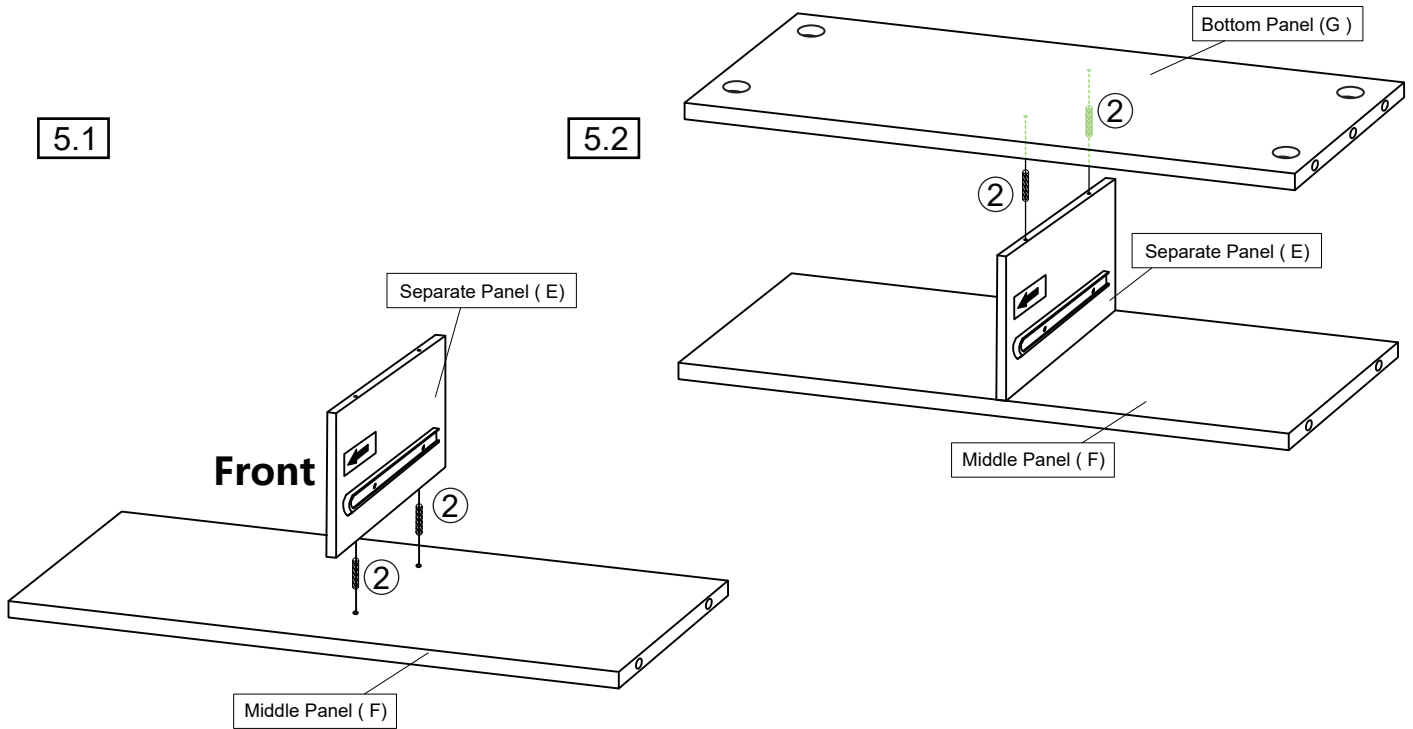
- 4.1) Attach Slide (9) on the Separate Panel (E) with Screw (7) using Screwdriver (13)

Step 5



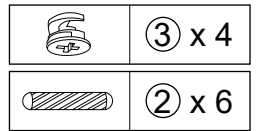
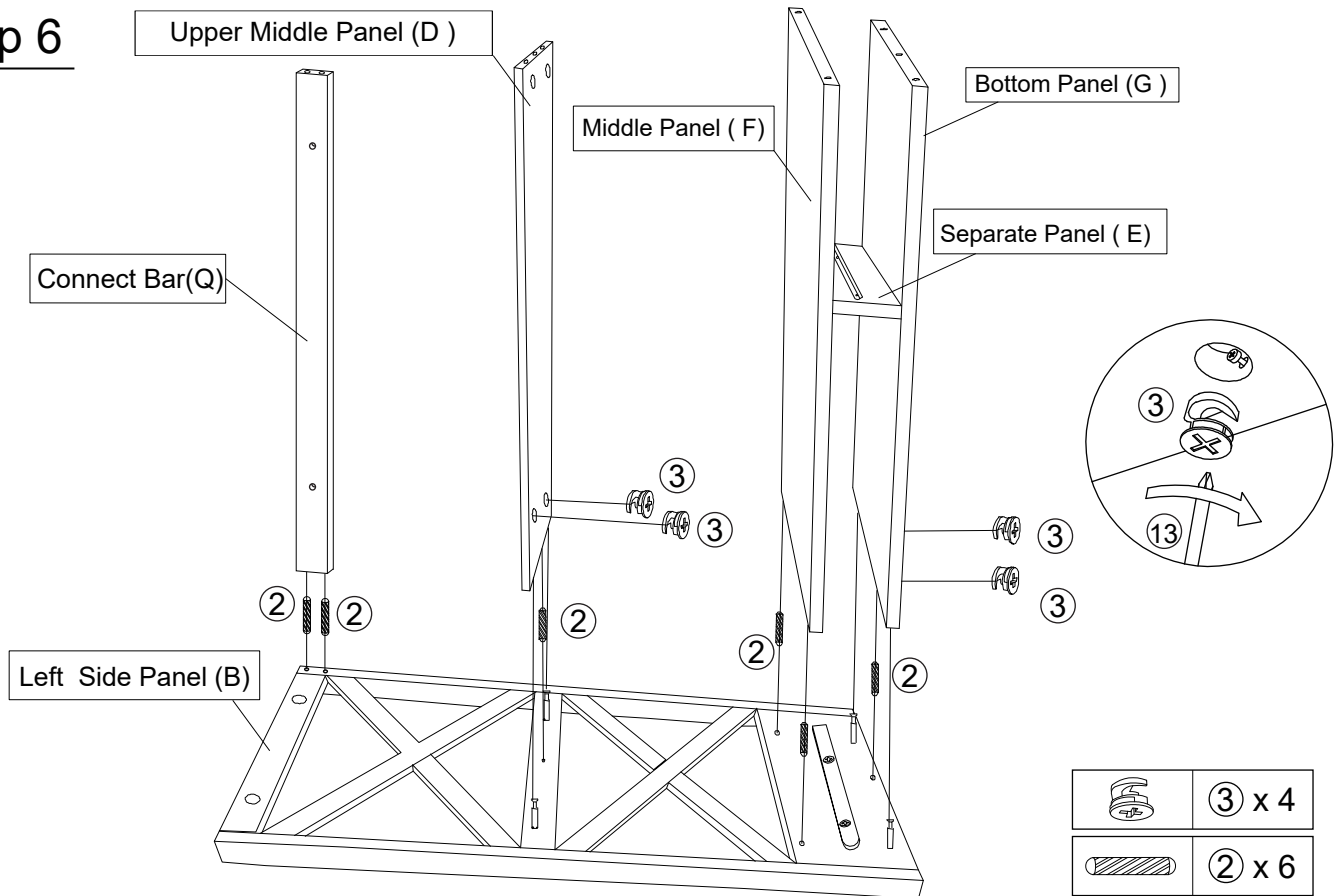
5.1

5.2



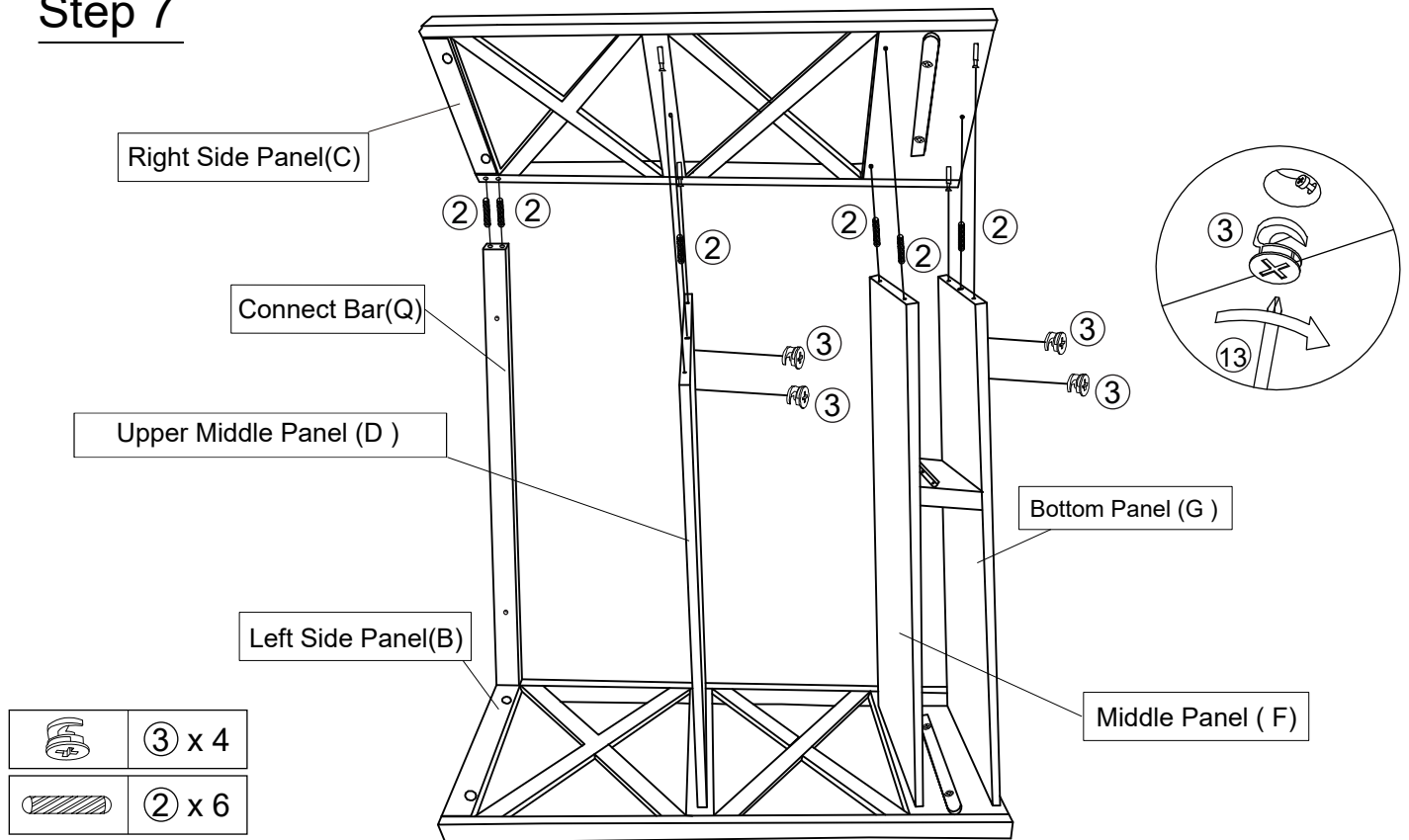
- 5.1) Attach Separate Panel (E) to Middle Panel (F) with Dowel(2)
- 5.2) Attach Bottom Panel (G) to Separate Panel (E) with Dowel(2)

Step 6



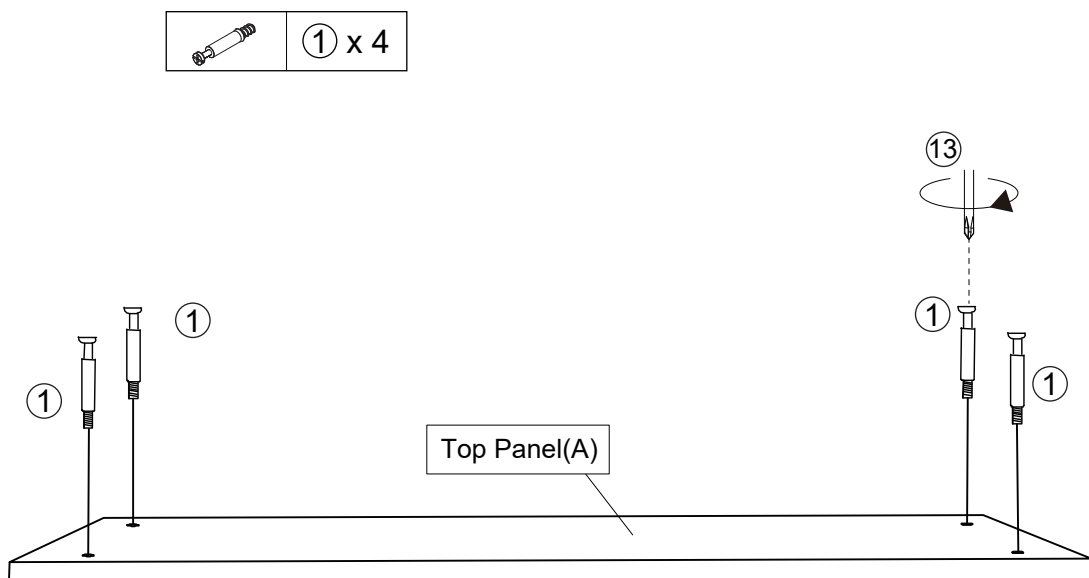
Attach Connect Bar(Q) Upper Middle Panel (D) , Middle Panel (F) and Bottom Panel (G) to Left Side Panel (B) with Dowel (2) , then insert Cam Nut (3) into Middle Panel (D) and Bottom Panel (G) using Screwdriver (13) turning clockwise until tight.

Step 7



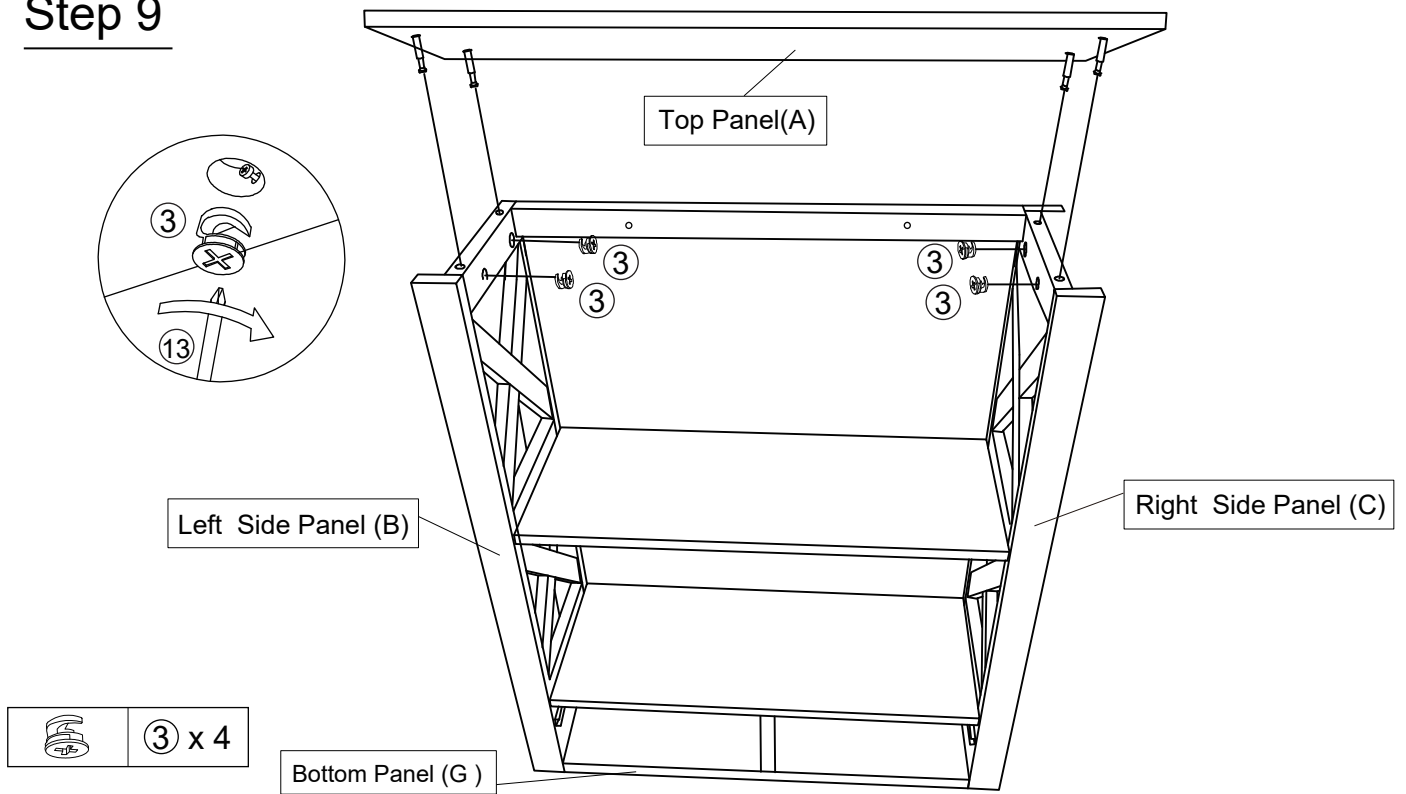
Attach Right Side Panel (C) to Connect Bar (Q), Upper Middle Panel (D) , Middle Panel (F) and Bottom Panel (G) with Dowel (②) then insert Cam Nut (③) into Middle Panel (D) and Bottom Panel (G) using Screwdriver (⑬) turning clockwise until tight.

Step 8



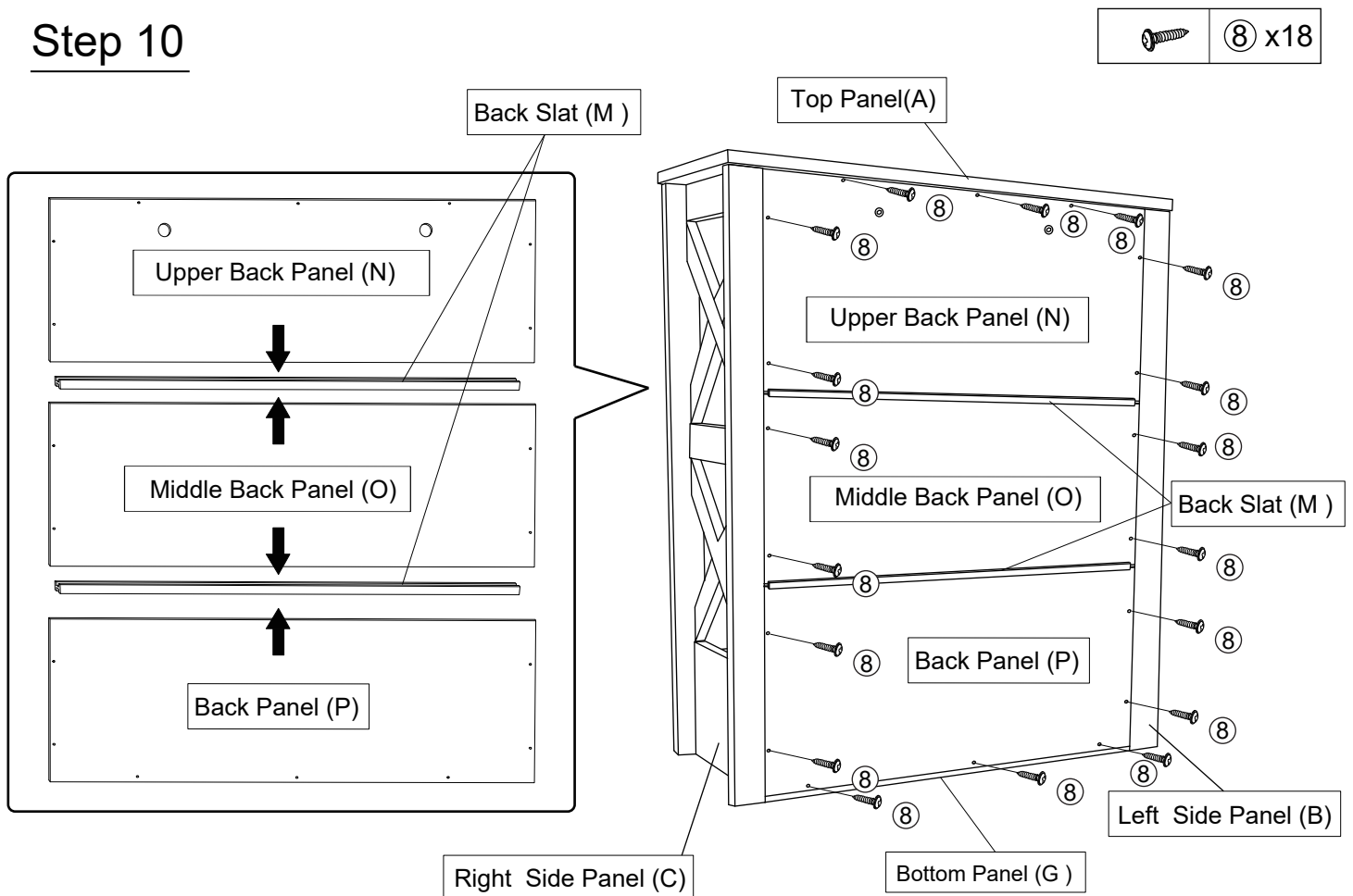
Insert Cam Bolt (①) into the mounting positions on Top Panel (A) using screwdriver (⑬).

Step 9



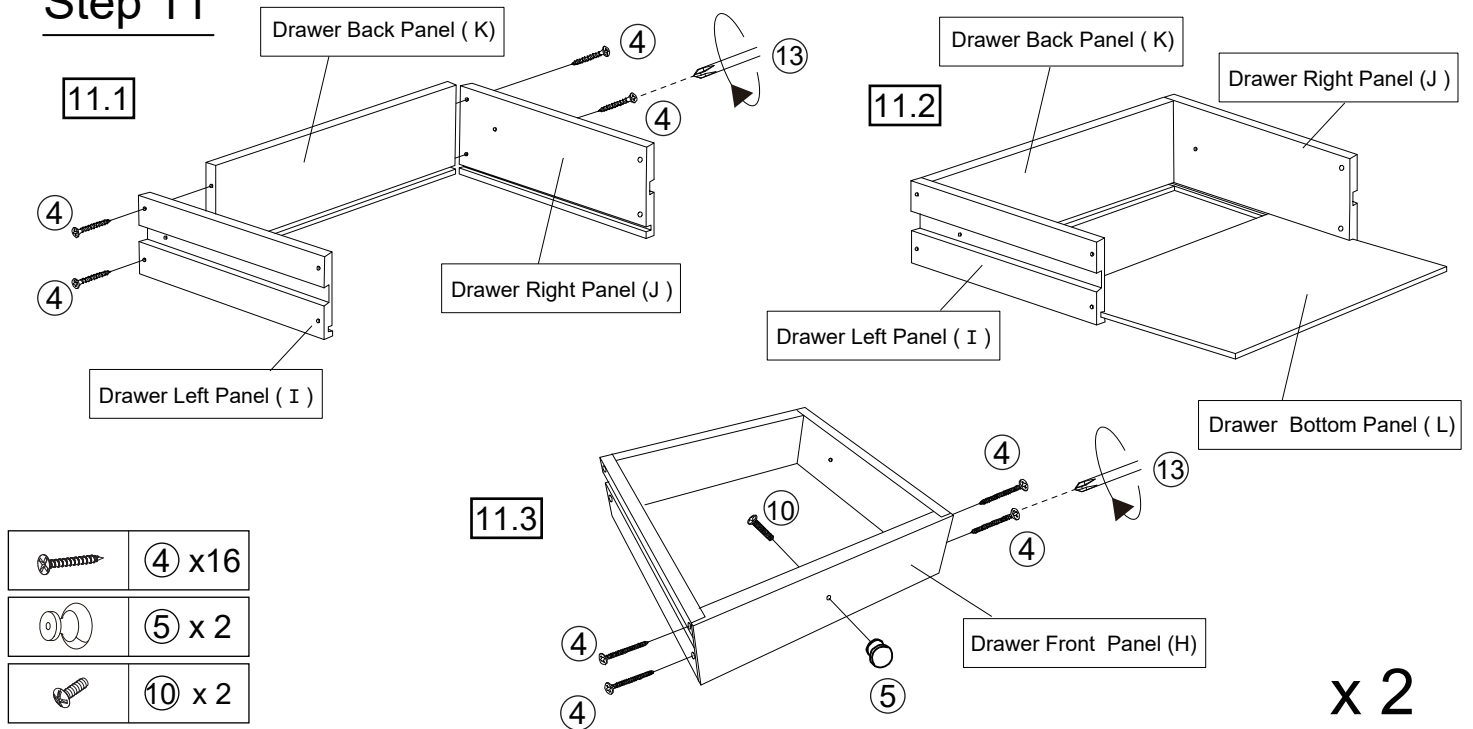
Position the Bottom Panel (G) right side up. Attach Top Panel (A) to Left Side Panel (B) and Right Side Panel (C), then insert Cam Nut (3) into the mounting positions on Left Side Panel (B) and Right Side Panel (C) using Screwdriver (13) turning clockwise until tight.

Step 10



Insert Back Panel (N), (O) and (P) into groove of Back Slats (M), then attach the whole Back Panel to Top Panel (A), Left Side Panel (B), Right Side Panel (C) and Bottom Panel (G) with Screw (8) using screwdriver (13).

Step 11

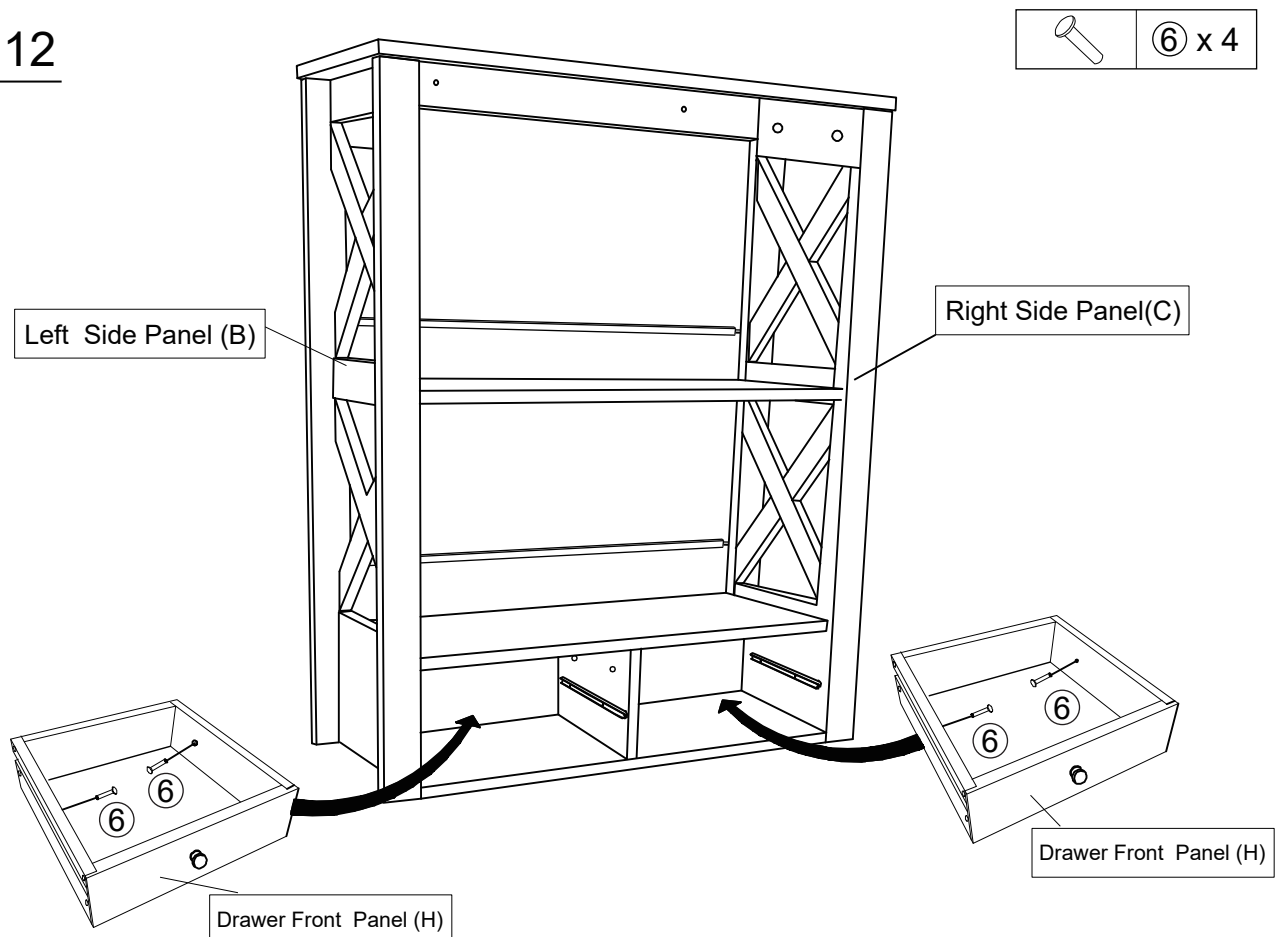


11.1) Attach Drawer Left Panel (I) and Drawer Right Panel (J) to Drawer Back Panel (K) with Screw (④) using Screwdriver (⑬).

11.2) Insert Drawer Bottom Panel (L) into drawer groove of Drawer Left Panel (I) and Drawer Right Panel (J)



11.3) Attach Drawer Front Panel (H) with Screw (④) using Screwdriver (⑬). Attach Knob (⑤) to the Drawer Front Panel (H) with Knob Bolt (⑩) using Screwdriver (⑬).

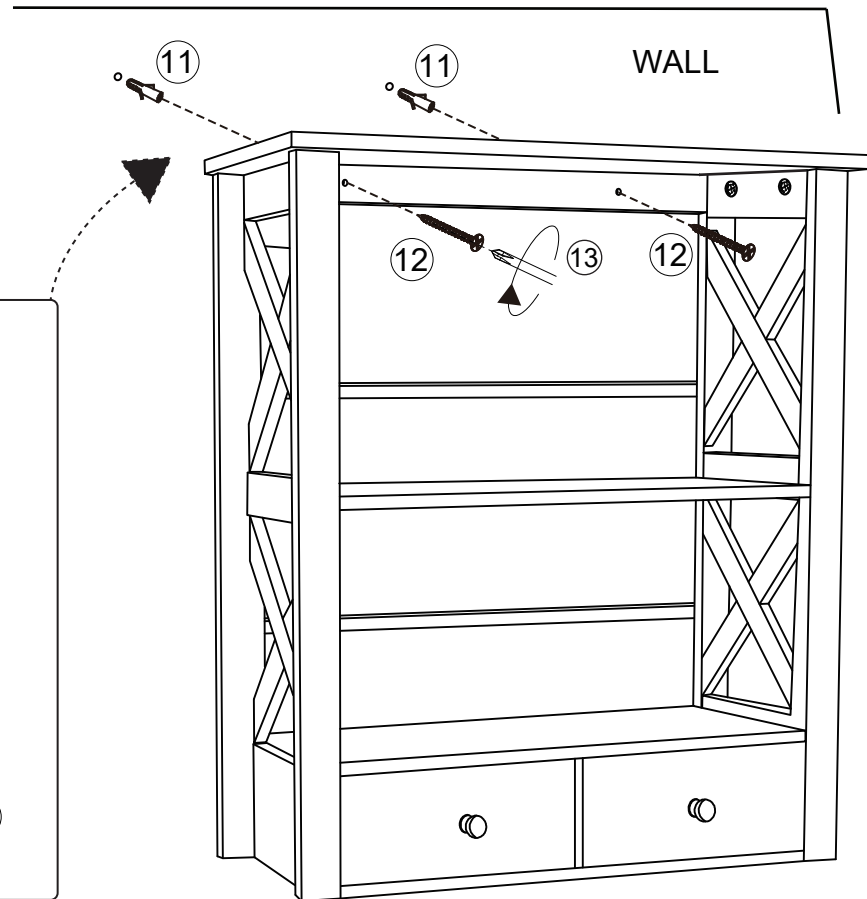
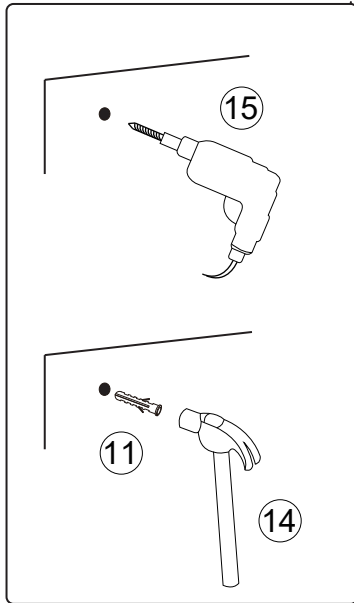
Step 12



Put Drawer into and insert Drawer Stopper (⑥).

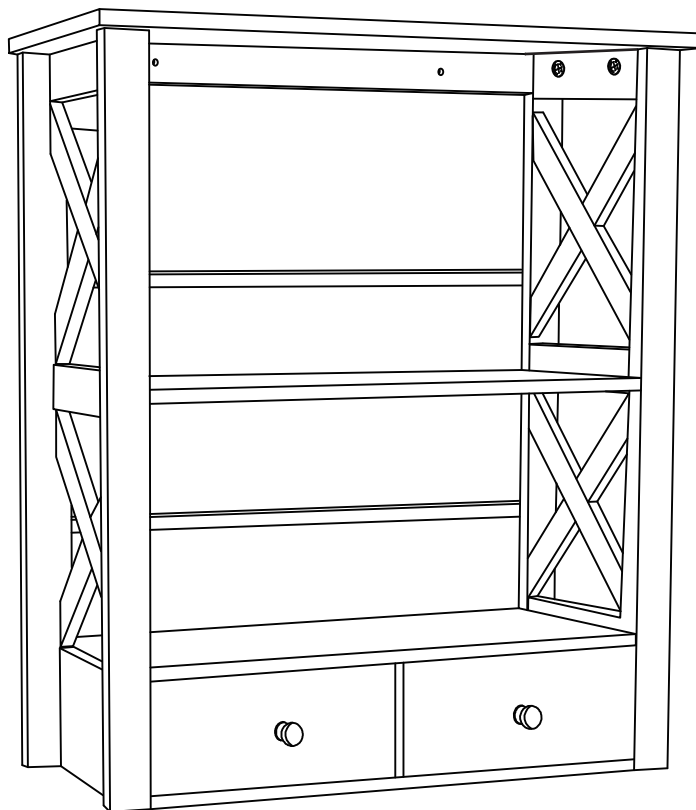
Step 13

	⑪ x 2
	⑫ x 2



Drill mounting positions on the wall with Power Drill (15), insert Wall Anchor (11) into drilled mounting positions on the wall with Hammer (14). Move the cabinet back to the wall, lock by Screw (12) with Screwdriver (13).

Step 14



Your Cabinet is ready for use

Care & Maintenance



- Furniture may scratch floors. We recommend using furniture pads to protect your floors.



- Do not put hot items directly on furniture surface.



- Do not clean furniture with harsh cleansers or polish.



- Do not place furniture under direct sunlight.



- Do not place furniture near heating or cooling vents.



- Do not write on furniture without a padded barrier to protect the surface.



- Do not place furniture outside . For indoor use only.



- Not for commercial use. For residential use only.



- Stains may be removed with mild soap solution and damp cloth.



- Children should not climb or jump on the furniture.



- Dust and pick-up spills using a clean, non-colored, lint-free cloth.