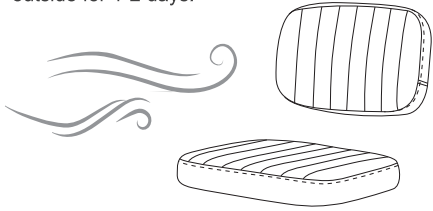
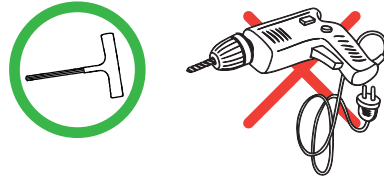


To deodorize the leather leave the chair in a shady outside for 1-2 days.

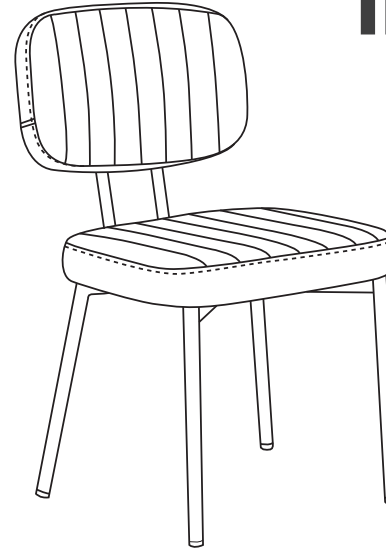


For longer use

Re-tighten bolts every 6 months by using the enclosed allen-key.
*Using an electric drill can damage the chair.
Please re-tighten bolts manually.



INSTRUCTION MANUAL



Safety Information



Sit in the center of the chair, with your back to the backrest



Do not sit at the front edge of the chair



Do not stand on the chair



Do not use the chair with more than one person



Do not push the chair around when a person is sitting in it

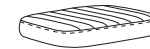


Do not push down on the backrest when a person is reclined

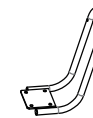
Package List



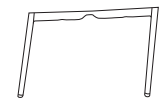
(A)*1 Backrest



(B)*1 Seat



(C)*1 Backrest Support Bar



(D)*2 Crossed Foot



M6x20mm
(E)*4 Bolts



M6x25mm
(F)*1 Bolts



M6x45mm
(J)*4 Bolts

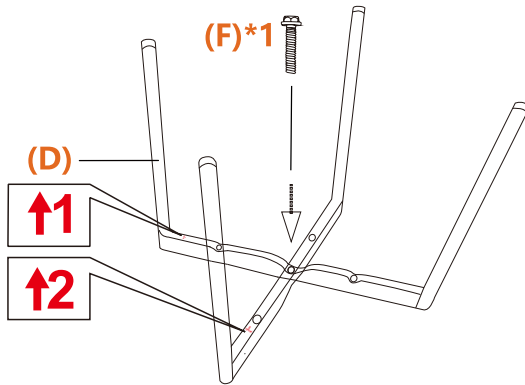
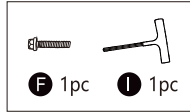


M6x30mm
(H)*2 Bolts

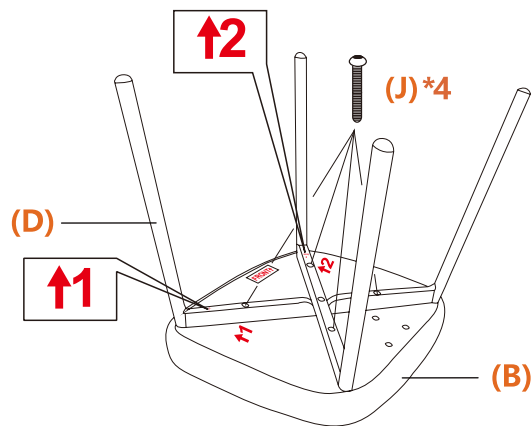
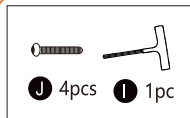


(I)*1 Wrench

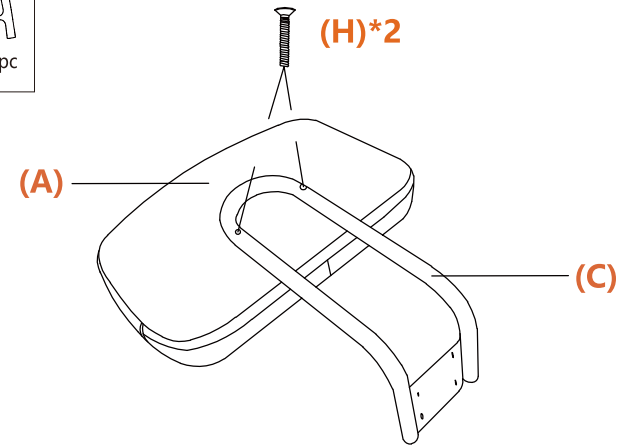
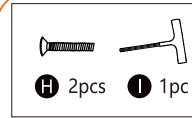
Assembly Instruction



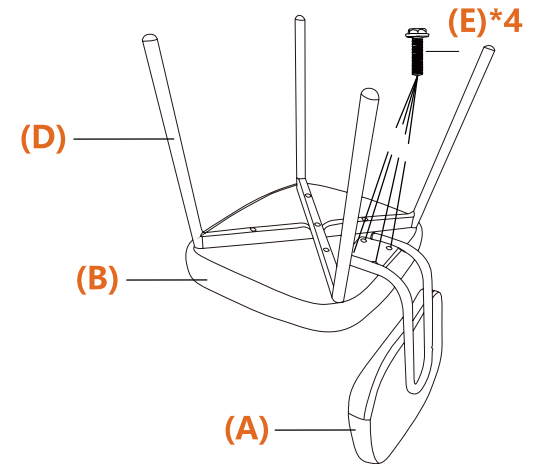
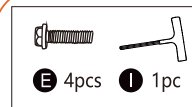
- 1** Invert the crossed foot (D) and insert bolts (F)*1 into the bolts hole in the middle of the crossed foot. Use wrench (I) and secure one with a bolt.



- 2** Attach the crossed foot (D) to the seat (B), make sure the arrows on the foot (D) are in the same direction as the arrow on the seat (B), then tighten with wrench (I) and bolt (J)*4.



- 3** Use a wrench (I) and bolts (H)*2 to install the backrest support bar (C) onto the backrest (A).



- 4** Using the wrench (I), connect the backrest support bar (C) with the backrest (A) to the seat (B) with the bolt (E)*4.

CAUTION:

- * Before using the chair, check to ensure that all bolts are fully tightened.
- * Lubricate all parts and tighten all bolts every 6 months or whenever needed.