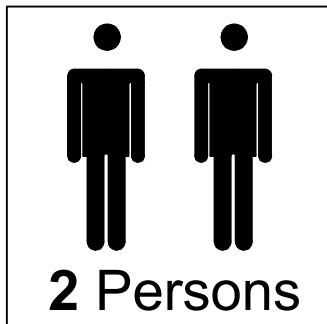
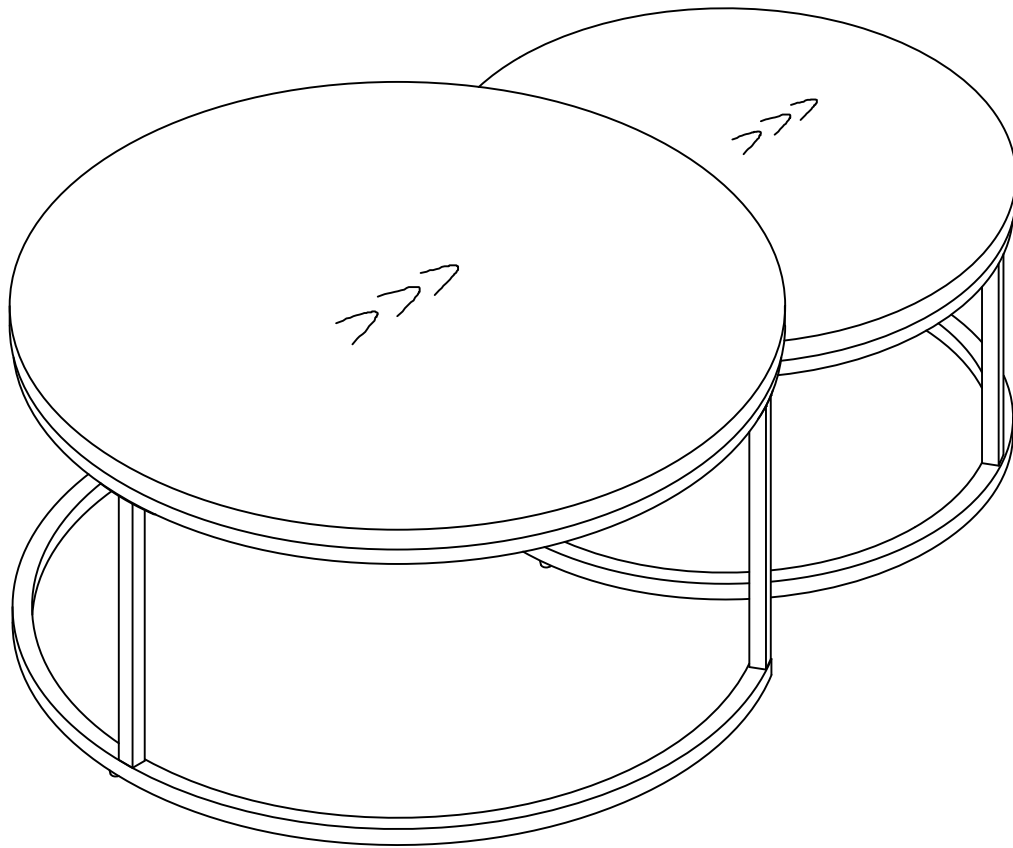


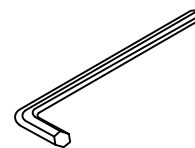
Installation

Product Manual

SKU: CJ03-DXY

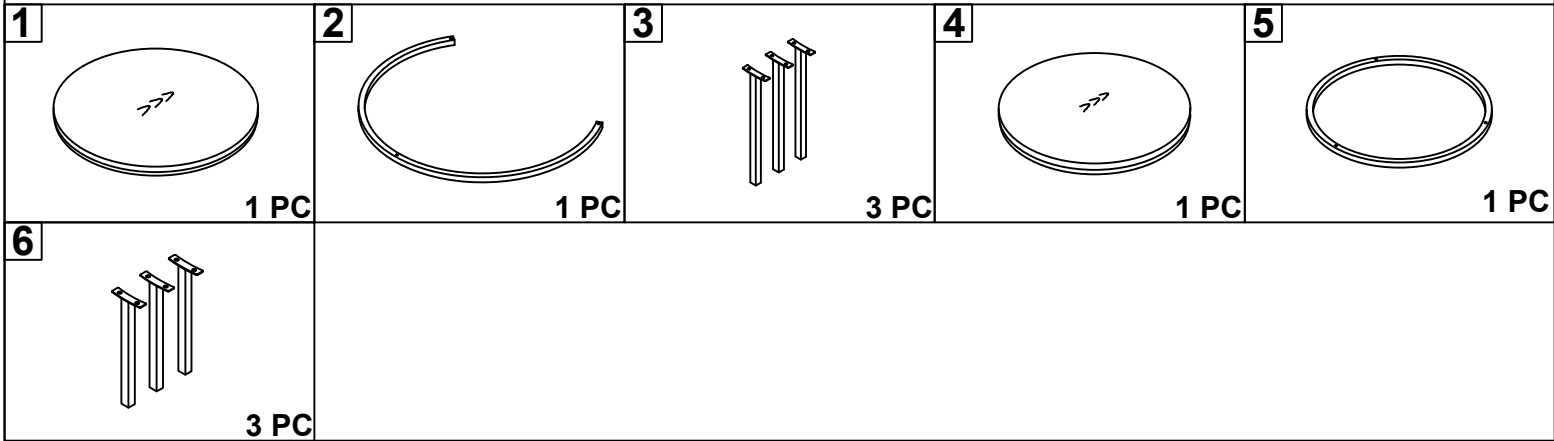
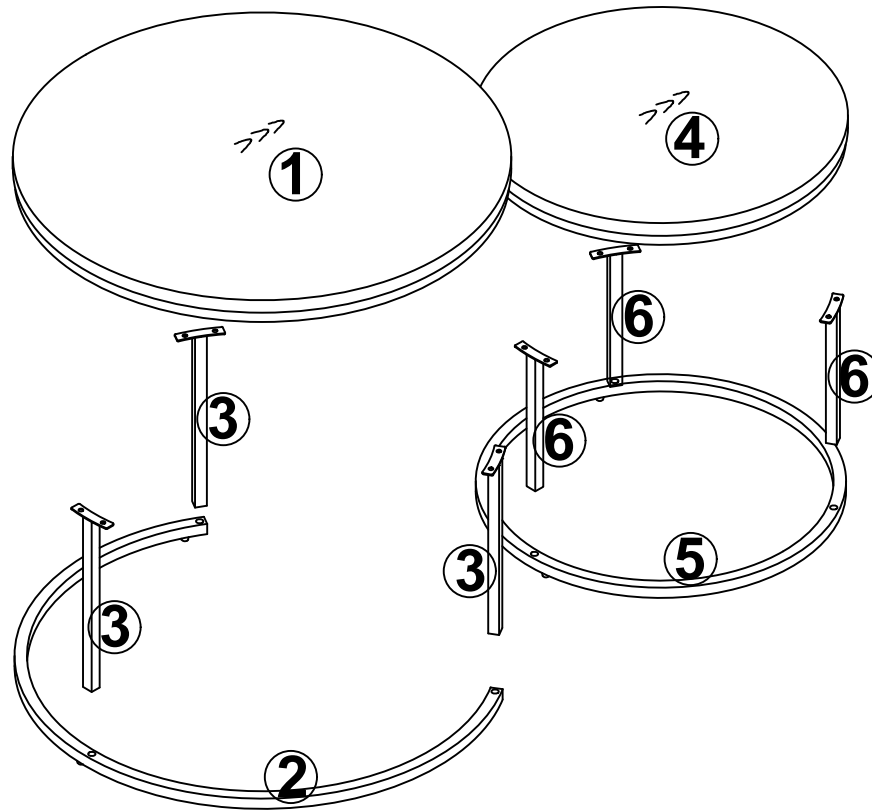


Tools




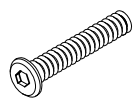
Hexagon wrench


If you have any questions or concerns, please contact us:
Kevencindy@outlook.com

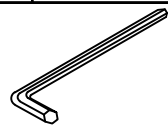


Hardware List

A	12 PCS
	
Ø6*12mm	

B	6 PCS
	
Ø6*40mm	

C	6 PCS
	
15*10mm	

D	1 PCS
	
Hexagon wrench	

E	Spare Parts	
A*1	B*1	C*1

Matters Need Attention

If you have any questions or concerns, please contact us:
Kevencindyyy@outlook.com

During Installation

1. Do not discard packing material until assembly is complete, as small parts may loosen inside the carton during shipping. If there is a missing part, please contact our after-sales team.
2. Please assemble this item on soft surfaces such as carpets to protect the finish.
3. Pay attention to stability when assembling to avoid falling or scratching.

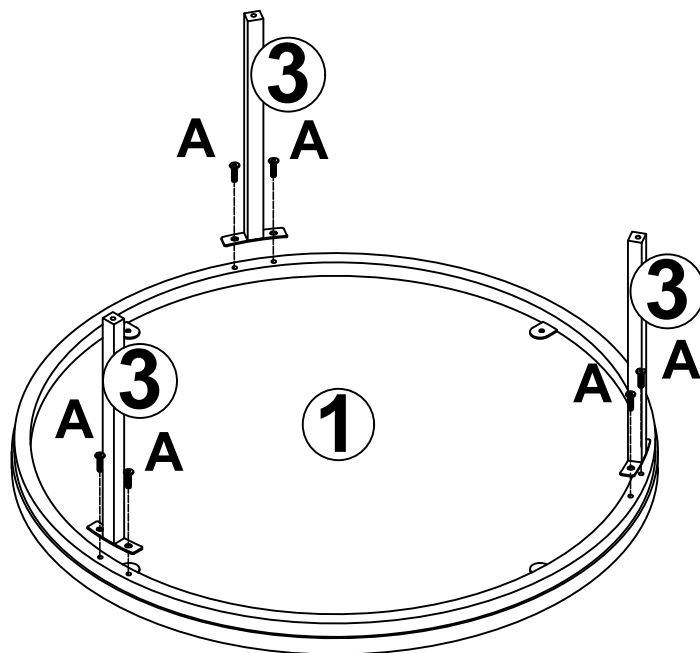
Cleaning and Maintenance


1. To protect the finish, avoid chemicals and household cleaners.
2. Keep away from the heat source to prolong the service life.
3. Wipe off any remaining liquid on the surface with a damp cloth.

Step 1

Attach Part 3 to Part 1 using accessory A

Tip: Use accessory D to install the screws

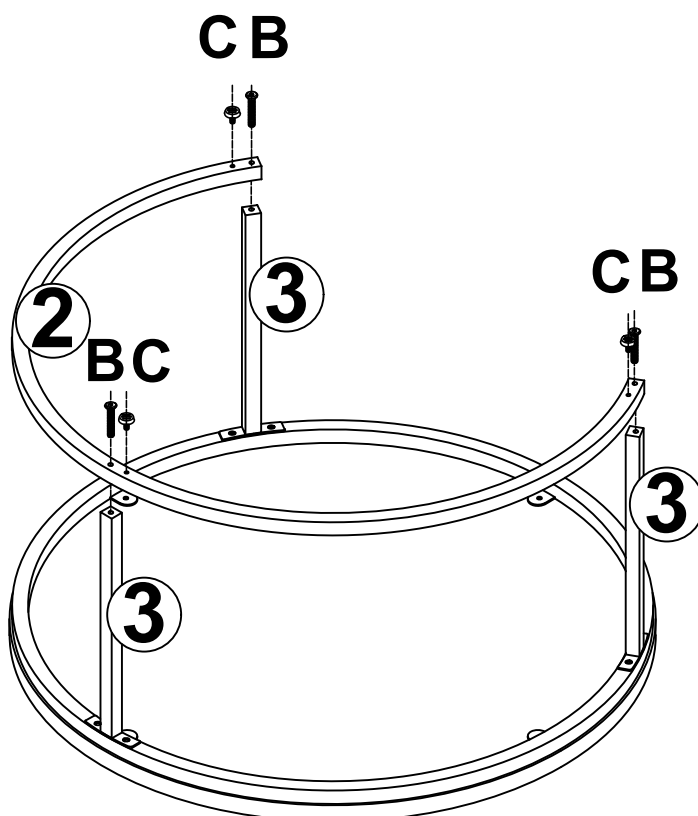




A	6 PCS
	
Ø6*12mm	

Step 2

Attach Part 2 to Part 3 using accessory B, then install accessory C onto Part 2

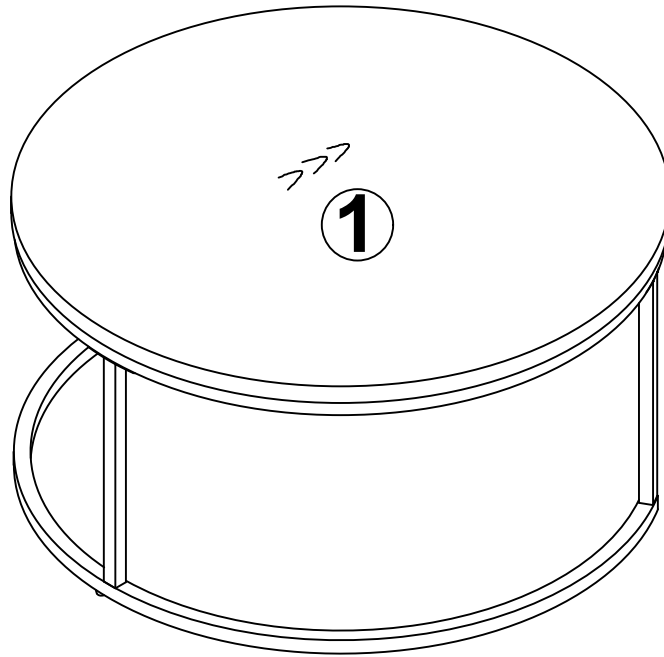
Tip: Use accessory D to install the screws



B	3 PCS	C	3 PCS
			
Ø6*40mm		15*10mm	

Step 3

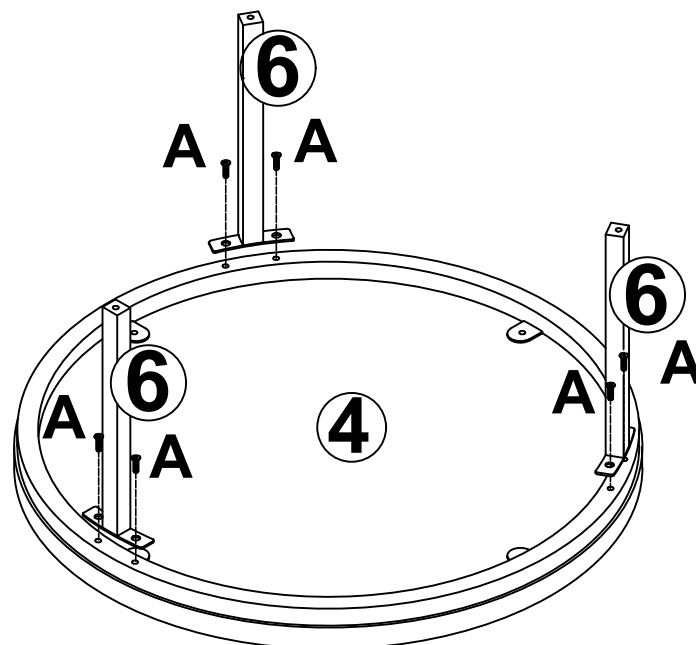
Assembly of the larger No. 1 coffee table is complete




Step 4

Attach Part 6 to Part 4 using accessory A

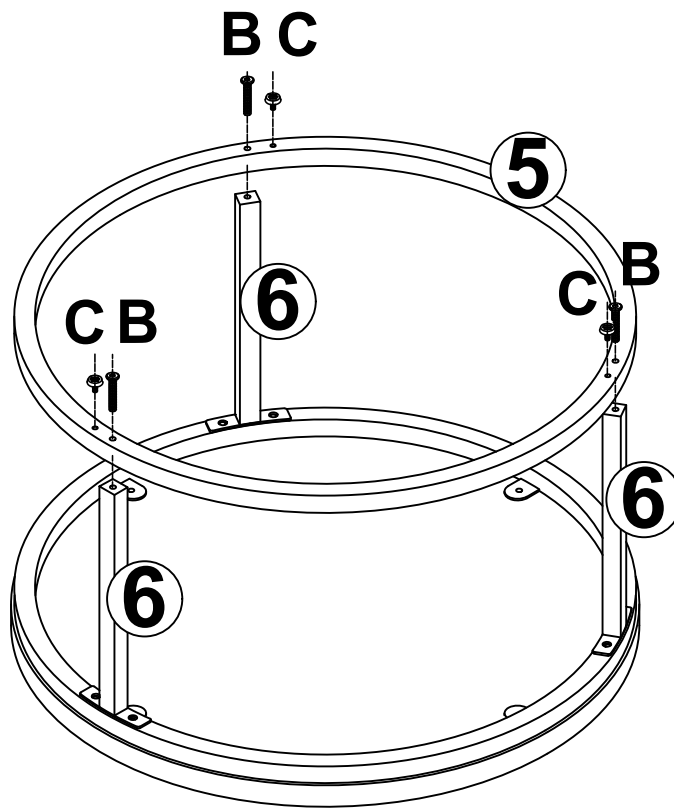
Tip: Use accessory D
to install the screws





A	6 PCS
	
Ø6*12mm	

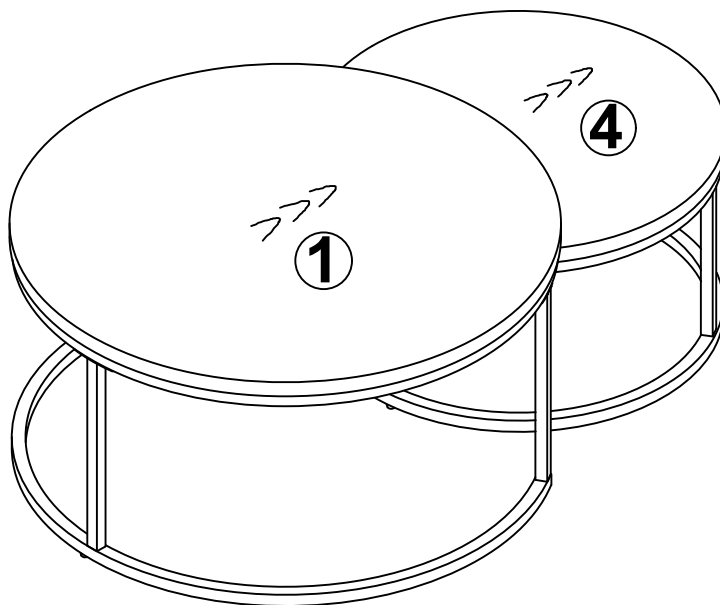
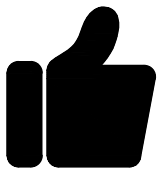
Step 5 Attach Part 5 to Part 6 using accessory B, then install accessory C onto Part 5

Tip: Use accessory D to install the screws



B	3 PCS	C	3 PCS
			
Ø6*40mm		15*10mm	

Step 6 Congratulations on completing the installation.
Thank you for your hard work!



If you have any questions or concerns, please contact us!
Kevencindy@outlook.com