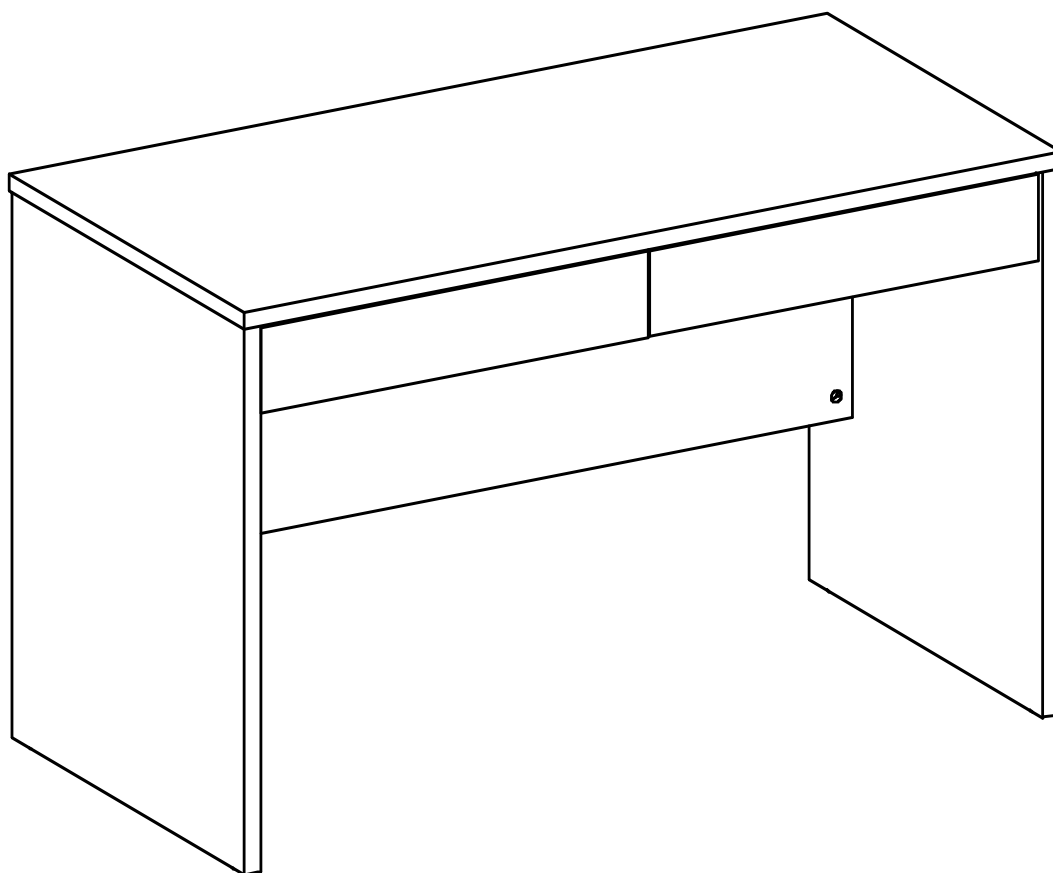


# ASSEMBLY INSTRUCTIONS

# EEI-6858

V0.01.01.24



## Questions? Contact us!

609.256.9000 • [cs@modway.com](mailto:cs@modway.com)  
[www.modway.com](http://www.modway.com)

\*modway

# Let's get started!

**\*modway**



Read through all of the instructions before starting



Care instructions are listed in the last step of this manual



Approx. 60 minutes assembly time



Make sure you have all parts and components before discarding any packing materials



2 people recommended for assembly

**Only use hand tools to assemble this item.** Do not use power tools. Do not tighten bolts or screws completely until all hardware is lined up and inserted into the holes.

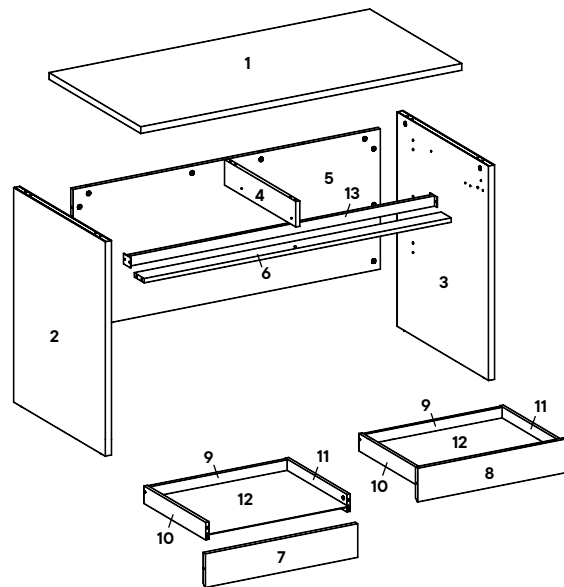
Do not over-tighten screws and bolts to avoid stripping the hardware or cracking the item.

Assemble your item on a flat, carpeted area, with plenty of space to work. This will prevent damage and scratches to your floors or the item while you're assembling the product.

Keep all components and packaging out of reach of children or animals to avoid risk of choking or suffocation.

## Furniture components:

1	Top Board	x1	9	Rear Drawer	x2
2	Left Board	x1	10	Left Drawer	x2
3	Right Board	x1	11	Right Drawer	x2
4	Drawer Divider	x1	12	Bottom Drawer	x2
5	Rear Board	x1	13	Metal Support	x1
6	Drawer Support	x1			
7	Left Front Drawer	x1			
8	Right Front Drawer	x1			



## Provided hardware:

A		Cam Lock Ø15 mm	x19	J		Cam Lock Ø12 mm	x4
B		Cam Bolt Ø7.5 x 32 mm	x23	K		Screw M6.3 x 50 mm	x1
C		Cam Cover Ø17 mm	x19	L		Allen Key	x1
D		Plastic Dowel M8 x 32 mm	x14	M		Cam Cover Ø15 mm	x4
E		Screw M6 x 13 mm	x8	N		Backply Stopper	x8
F		Drawer Rail	x2	O		Screw M4 x 19 mm	x8
G		Screw M4 x 10 mm	x4	P		Plastic Dowel M6 x 30 mm	x8
H		Screw M10 x 33.5 mm	x5				
I		Screw M6 x 8 mm	x8				

## What you need:



**Wait!**

**Missing parts or hardware? Need assistance?**

Contact us before returning your item. We're here to help!

609.256.9000 • [cs@modway.com](mailto:cs@modway.com)

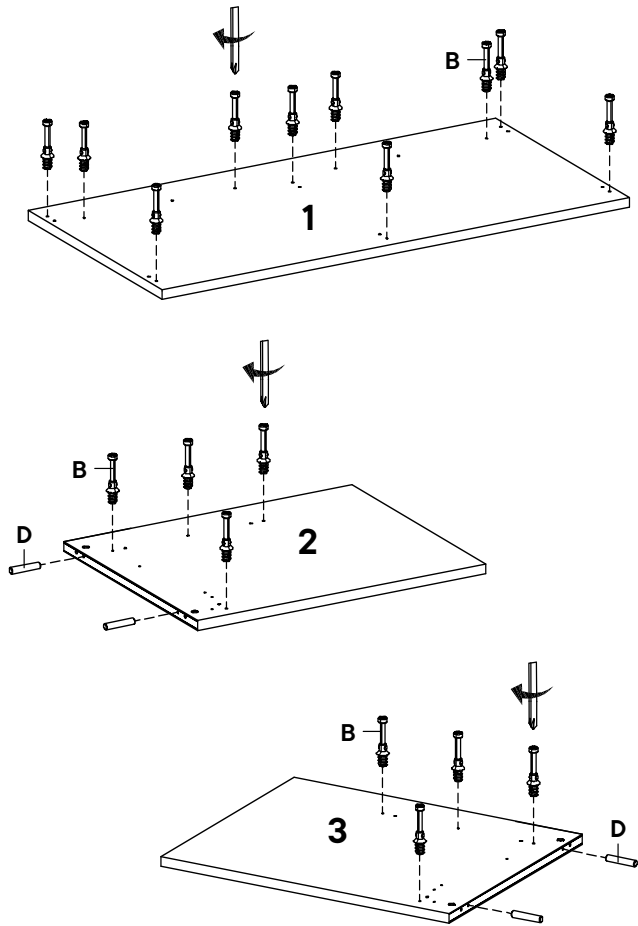
# Step 1

## HARDWARE

- B** Cam Bolt  $\varnothing 7.5 \times 32$  mm      x18
- D** Plastic Dowel M8 x 32 mm      x4

## COMPONENTS

- 1** Top Board      x1
- 2** Left Board      x1
- 3** Right Board      x1



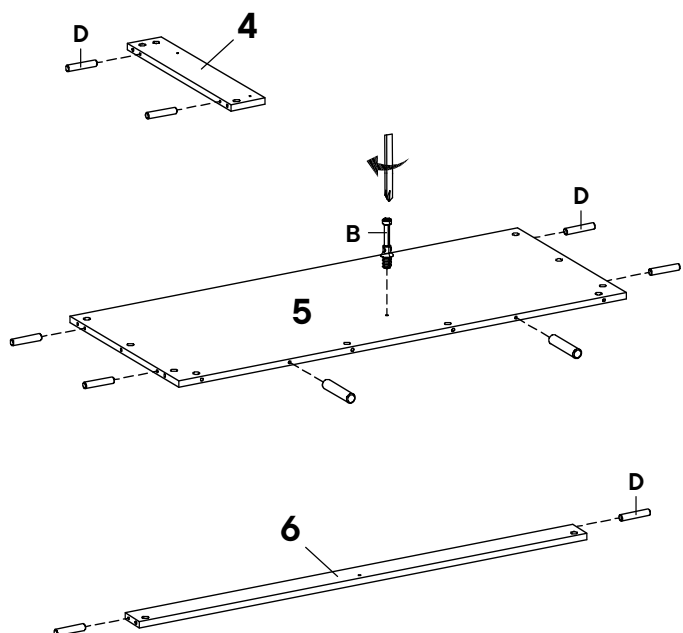
# Step 2

## HARDWARE

- B** Cam Bolt  $\varnothing 7.5 \times 32$  mm      x1
- D** Plastic Dowel M8 x 32 mm      x10

## COMPONENTS

- 4** Drawer Divider      x1
- 5** Rear Board      x1
- 6** Drawer Support      x1



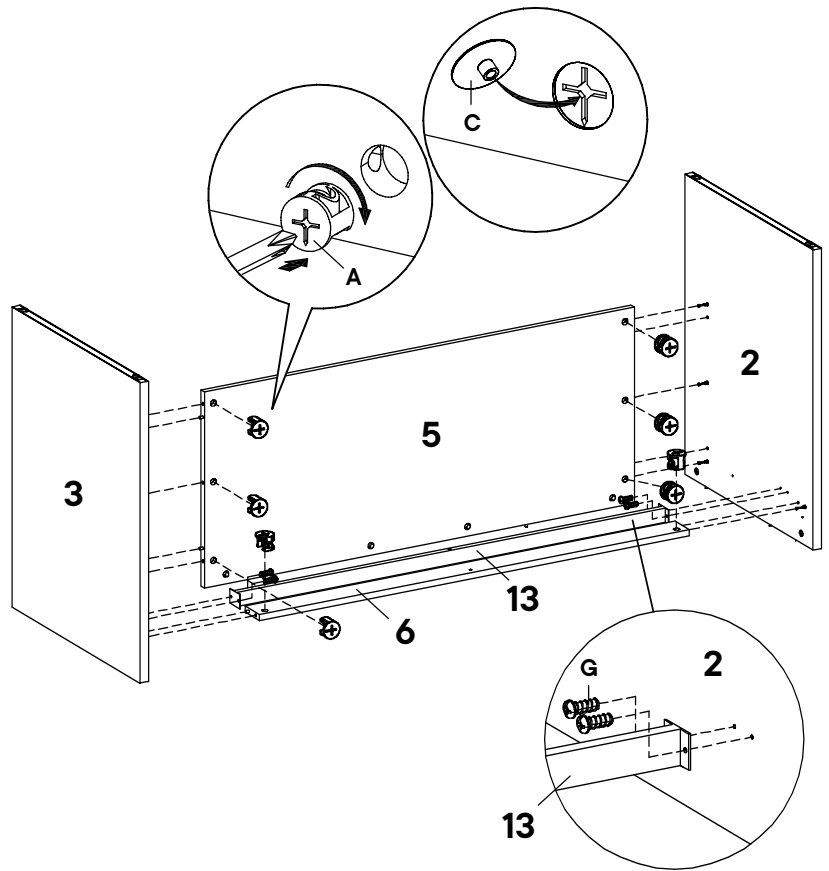
## Step 3

### HARDWARE

<b>A</b>	Cam Lock Ø15 mm	x8
<b>C</b>	Cam Cover Ø17 mm	x8
<b>G</b>	Screw M4 x 10 mm	x4

### COMPONENTS

<b>2</b>	Left Board	x1
<b>3</b>	Right Board	x1
<b>5</b>	Rear Board	x1
<b>6</b>	Drawer Support	x1
<b>13</b>	Metal Support	x1



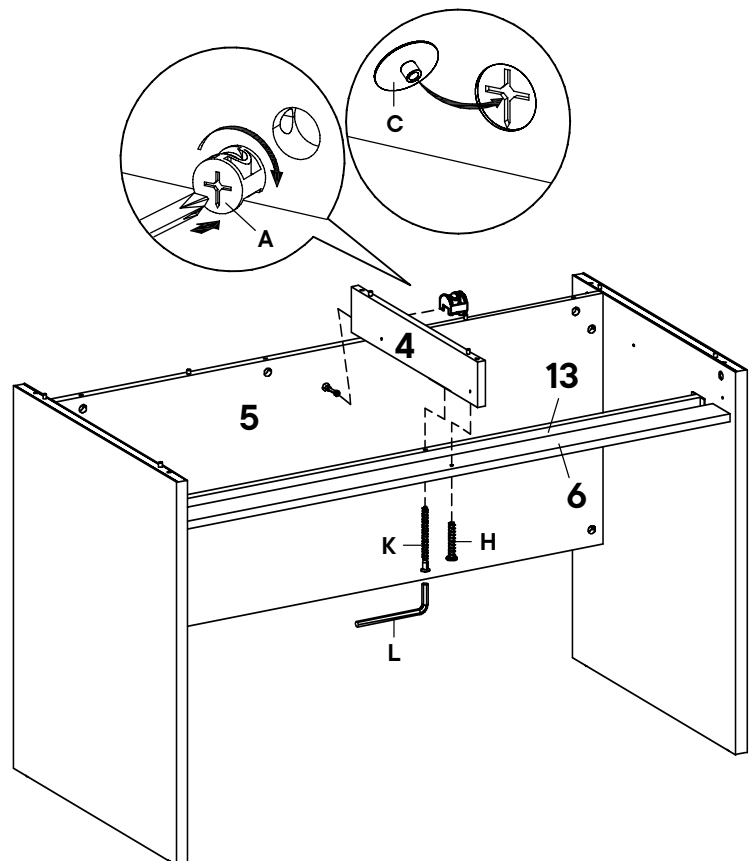
## Step 4

### HARDWARE

<b>A</b>	Cam Lock Ø15 mm	x1
<b>C</b>	Cam Cover Ø17 mm	x1
<b>H</b>	Screw M10 x 33.5 mm	x1
<b>K</b>	Screw M6.3 x 50 mm	x1
<b>L</b>	Allen Key	x1

### COMPONENTS

<b>4</b>	Drawer Divider	x1
<b>5</b>	Rear Board	x1
<b>6</b>	Drawer Support	x1
<b>13</b>	Metal Support	x1



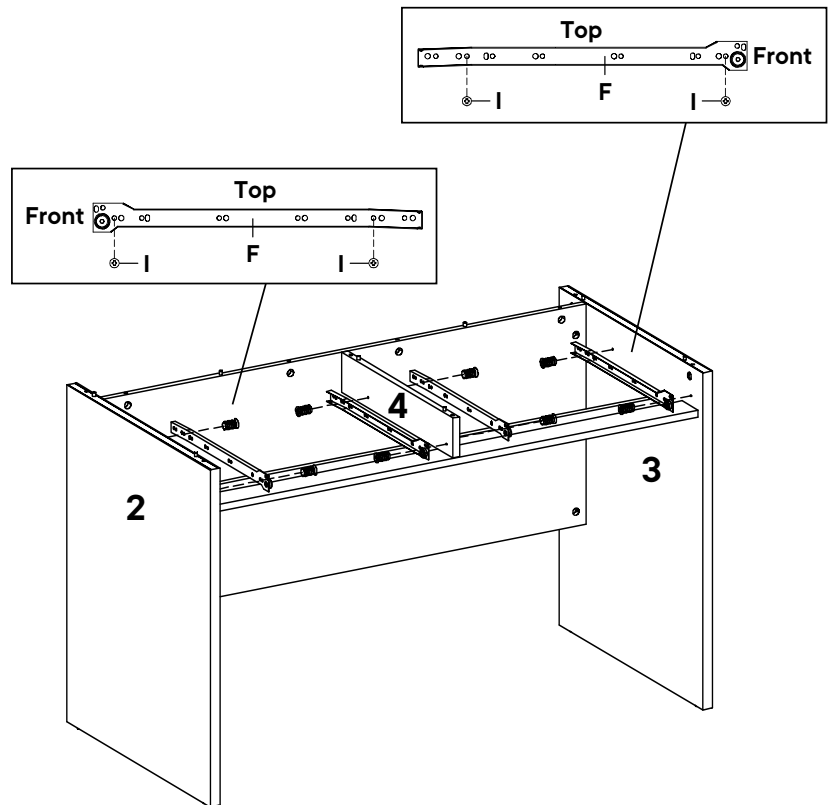
## Step 5

### HARDWARE

- F** Drawer Rail x2
- I** Screw M6 x 8 mm x8

### COMPONENTS

- 2** Left Board x1
- 3** Right Board x1
- 4** Drawer Divider x1



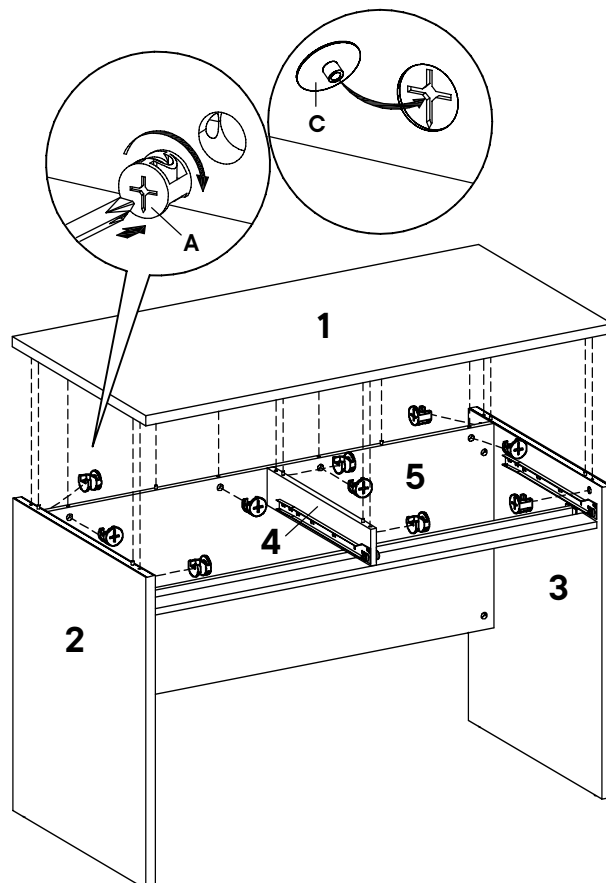
## Step 6

### HARDWARE

- A** Cam Lock  $\varnothing 15$  mm x10
- C** Cam Cover  $\varnothing 17$  mm x10

### COMPONENTS

- 1** Top Board x1
- 2** Left board x1
- 3** Right Board x1
- 4** Drawer Divider x1
- 5** Rear Board x1



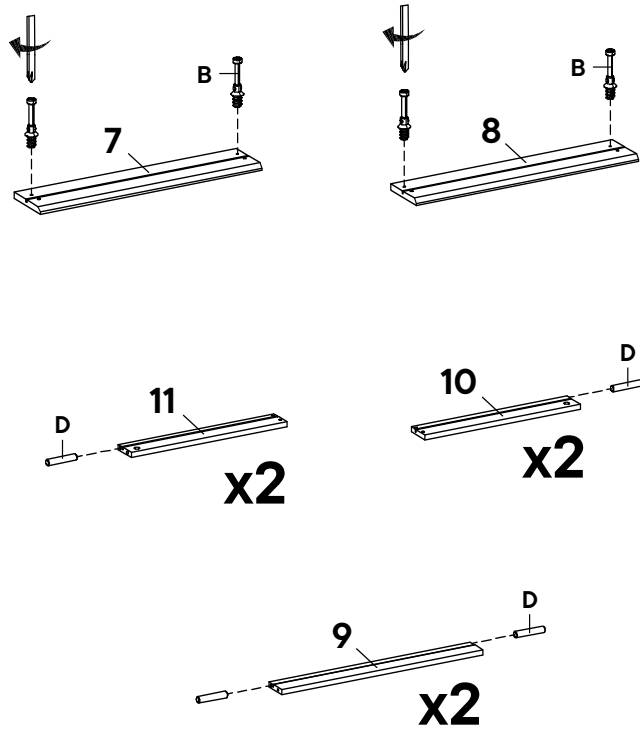
# Step 7

## HARDWARE

- B** Cam Bolt  $\text{\O}7.5 \times 32 \text{ mm}$  x4
- D** Plastic Dowel M6 x 30 mm x8

## COMPONENTS

- 7** Left Front Drawer x1
- 8** Right Front Drawer x1
- 9** Rear Drawer x2
- 10** Left Drawer x2
- 11** Right Drawer x2



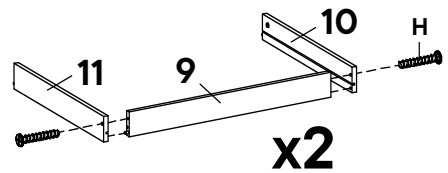
# Step 8

## HARDWARE

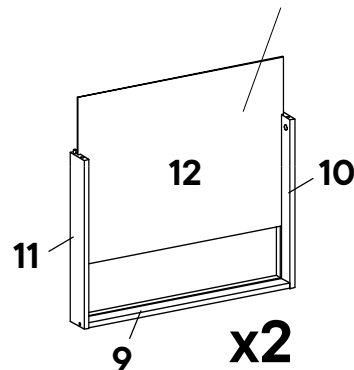
- H** Screw M10 x 33.5 mm x4

## COMPONENTS

- 9** Rear Drawer x2
- 10** Left Drawer x2
- 11** Right Drawer x2
- 12** Bottom Drawer x2



FINISHED EDGE



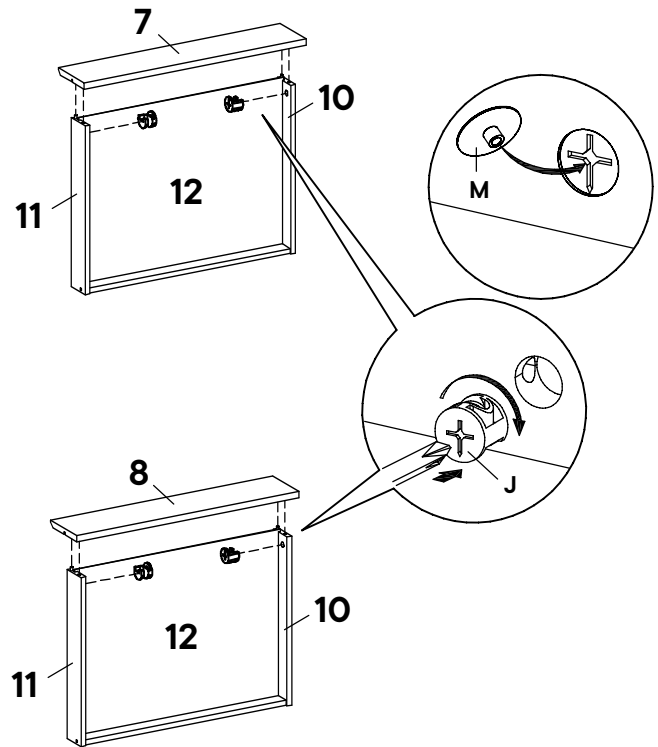
## Step 9

### HARDWARE

<b>J</b>	Cam Lock Ø12 mm	x4
<b>M</b>	Cam Cover Ø15 mm	x4

### COMPONENTS

<b>7</b>	Left Front Drawer	x1
<b>8</b>	Right Front Drawer	x1
<b>10</b>	Left Drawer	x2
<b>11</b>	Right Drawer	x2
<b>12</b>	Bottom Drawer	x2



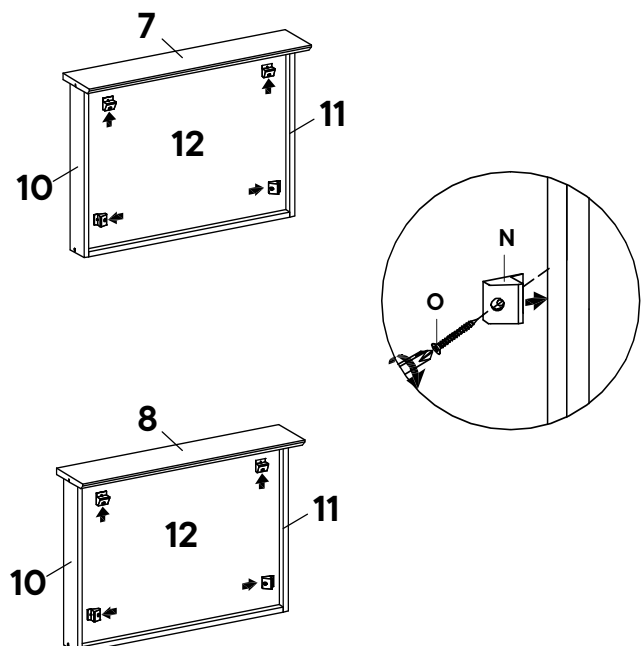
## Step 10

### HARDWARE

<b>N</b>	Backply Stopper	x8
<b>O</b>	Screw M4 x 19 mm	x8

### COMPONENTS

<b>7</b>	Left Front Drawer	x1
<b>8</b>	Right Front Drawer	x1
<b>10</b>	Left Drawer	x2
<b>11</b>	Right Drawer	x2
<b>12</b>	Bottom Drawer	x2



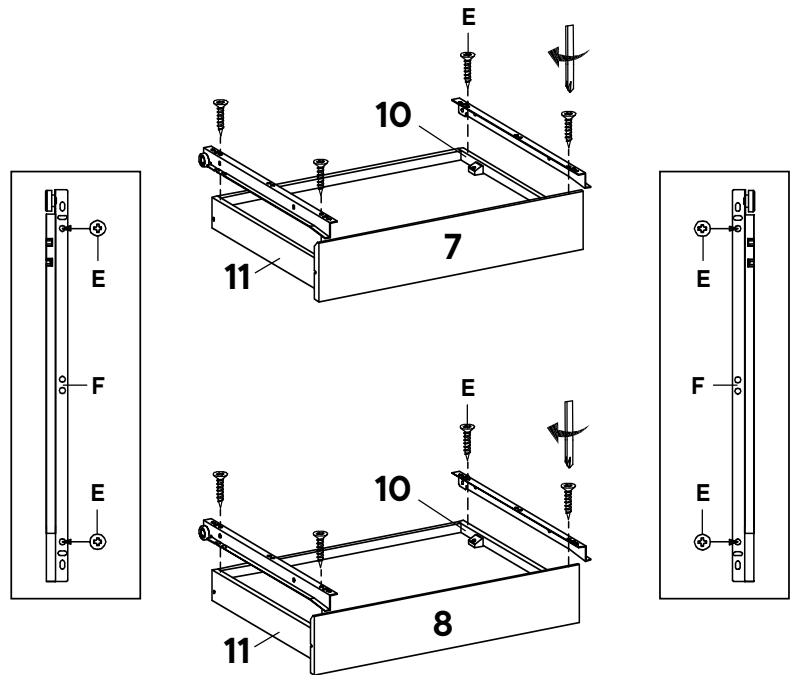
## Step 11

### HARDWARE

<b>E</b>	Screw M6 x13 mm	x8
<b>F</b>	Drawer Rail	x2

### COMPONENTS

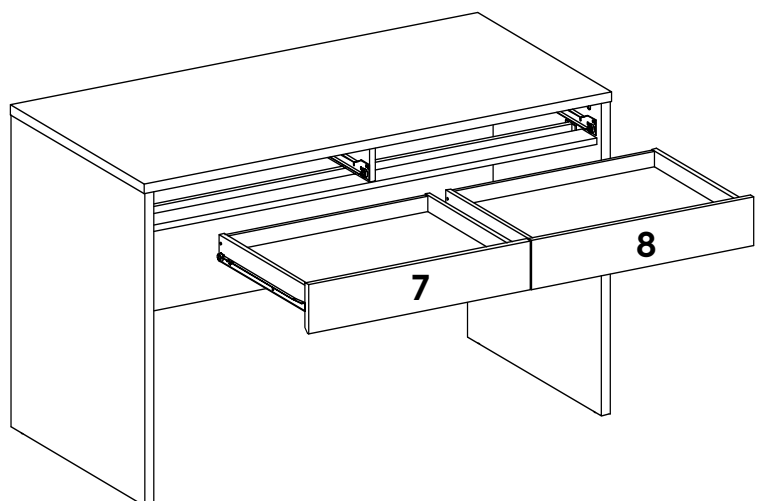
<b>7</b>	Left Front Drawer	x1
<b>8</b>	Right Front Drawer	x1
<b>10</b>	Left Drawer	x2
<b>11</b>	Right Drawer	x2



## Step 12

### COMPONENTS

<b>7</b>	Left Front Drawer	x1
<b>8</b>	Right Front Drawer	x1



# Great job!

Desk assembly is complete.

## ♥ CARING FOR YOUR ITEM

Indoor use only.

Not contract grade.

Clean using a non-abrasive cloth and a mild cleaner.

Never use harsh chemicals, as they could damage the finish or integrity of the item.

CONNECT WITH US!   

Tag us @modway\_furniture and #modway for a chance to be featured.

