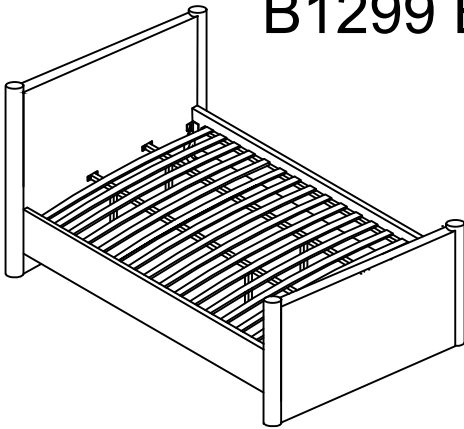


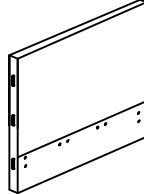
ASSEMBLY INSTRUCTIONS B1299 BED - KING

meridian.
furniture

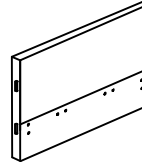


+ Parts Included

① Head Board
(1pc)



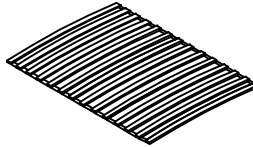
② Foot Board
(1pc)



③ Side Rails
(2pcs)



④ Slats joint
(1set=13pcs)

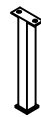


⑤ Center Support Bar
(2pcs)



*Slats come packed
in the bottom of
headboard carton.

⑥ Support
Legs(4pcs)



⑦ Head Board
Post (2pcs)



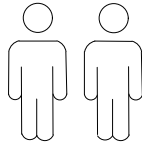
⑧ Foot Board
Post(2pcs)



+ Do Not Use Power Tools



+ Suggested Adults



NOTE: For questions about parts or assembly please email support@meridianfurnitureusa.com or call us at 718-758-4455.

- 1 Read instructions cover to cover.
- 2 Save all packaging until assembly is completed.

1 IMPORTANT SAFETY INFORMATION

Do not assemble the product if any of the following parts arrived damaged:

- Part #③ -Side Rails
- Part #④ -Slats joint
- Part #⑤ -Center Support Bar
- Part #⑥ -Support Legs

2 IMPORTANT ASSEMBLY INFORMATION

Assembly Step ② Ensure the side rail bracket is fully hooked onto bolt A loosely threaded with both washers on the OUTSIDE of the bracket first, then proceed to fully tightening all 4 corners.

*Slats come packed in the bottom of headboard carton.

+ Hardware Included

A Bolt M8*35mm
(24pcs)



B Spring Washer
(8pcs)



C Flat Washer
Φ20(24pcs)



D M8 Allen Key
(1pc)



E Nut M8*13mm
(12pcs)



F Spanner
(1pc)



G Flat Washer Φ22
(10pcs)



H Bolt M8*75mm
(6pcs)



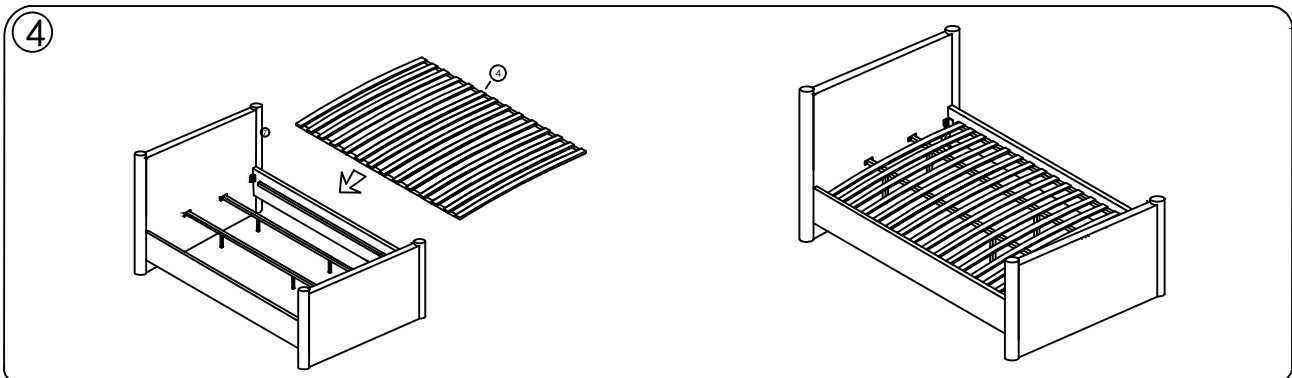
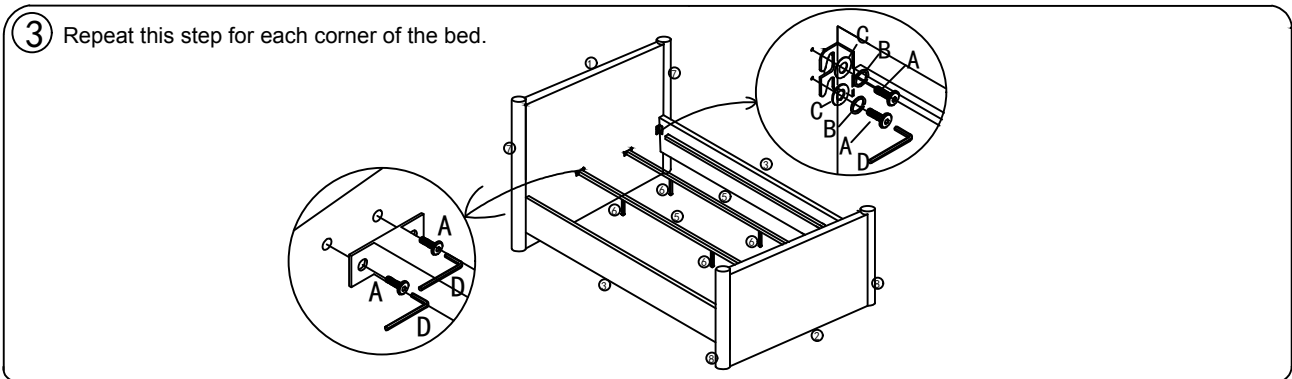
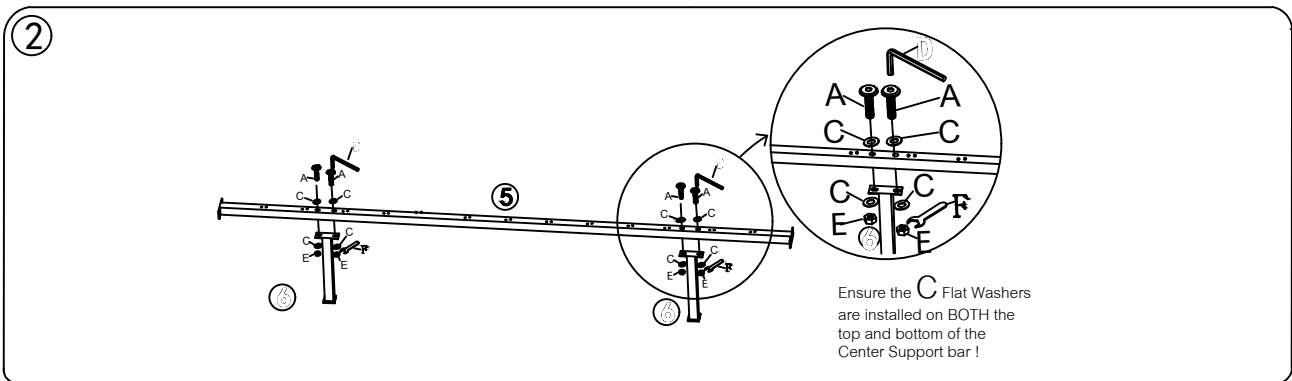
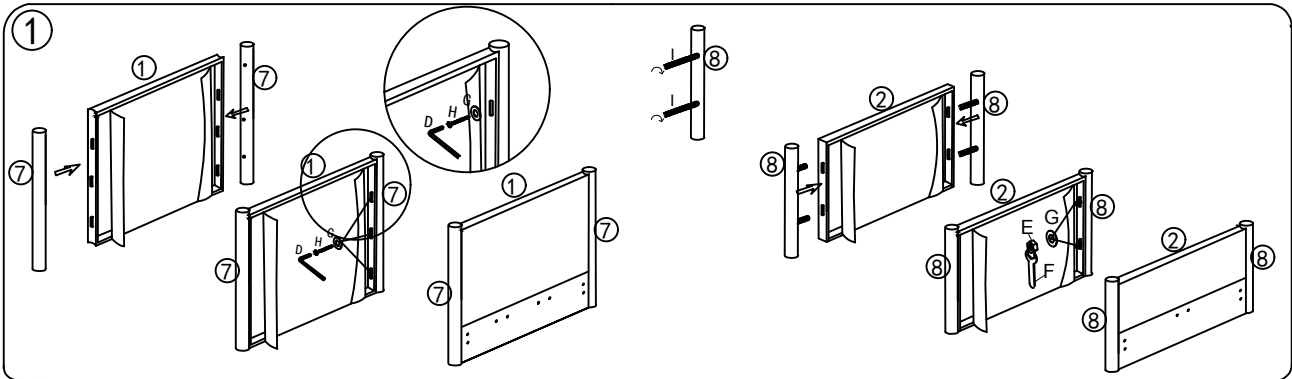
I Bolt M8*150mm
(4pcs)



ASSEMBLY INSTRUCTIONS

B1299 BED - KING

meridian.
furniture



NOTE: For questions about parts or assembly please email support@meridianfurnitureusa.com or call us at 718-758-4455.

www.MeridianFurnitureUSA.com | support@meridianfurnitureusa.com