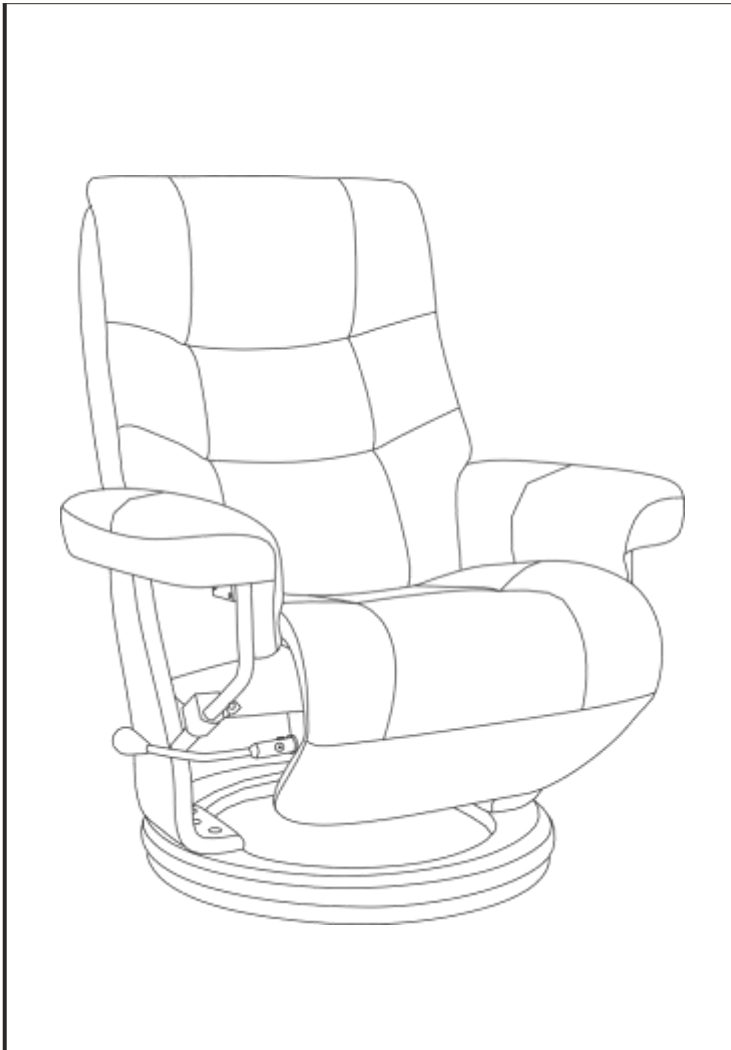






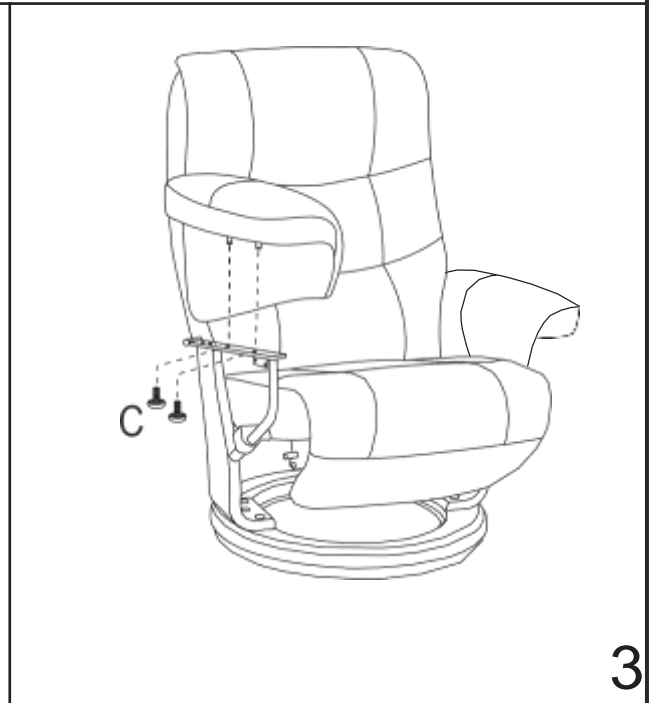
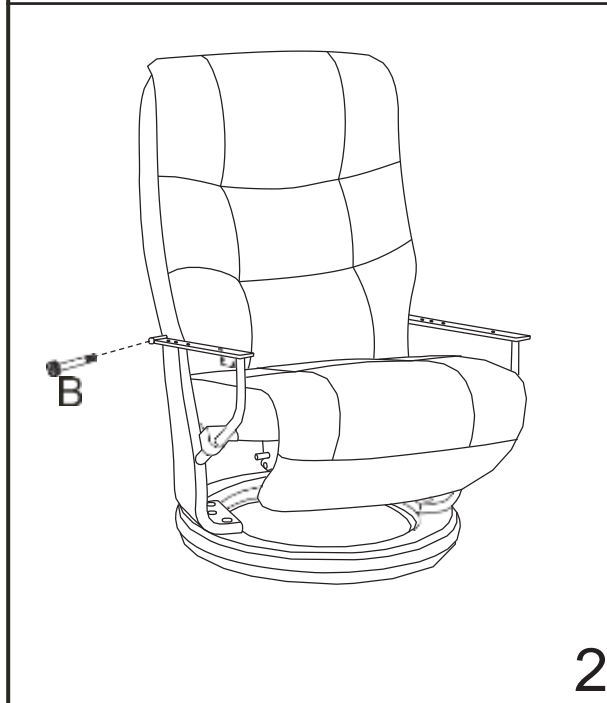
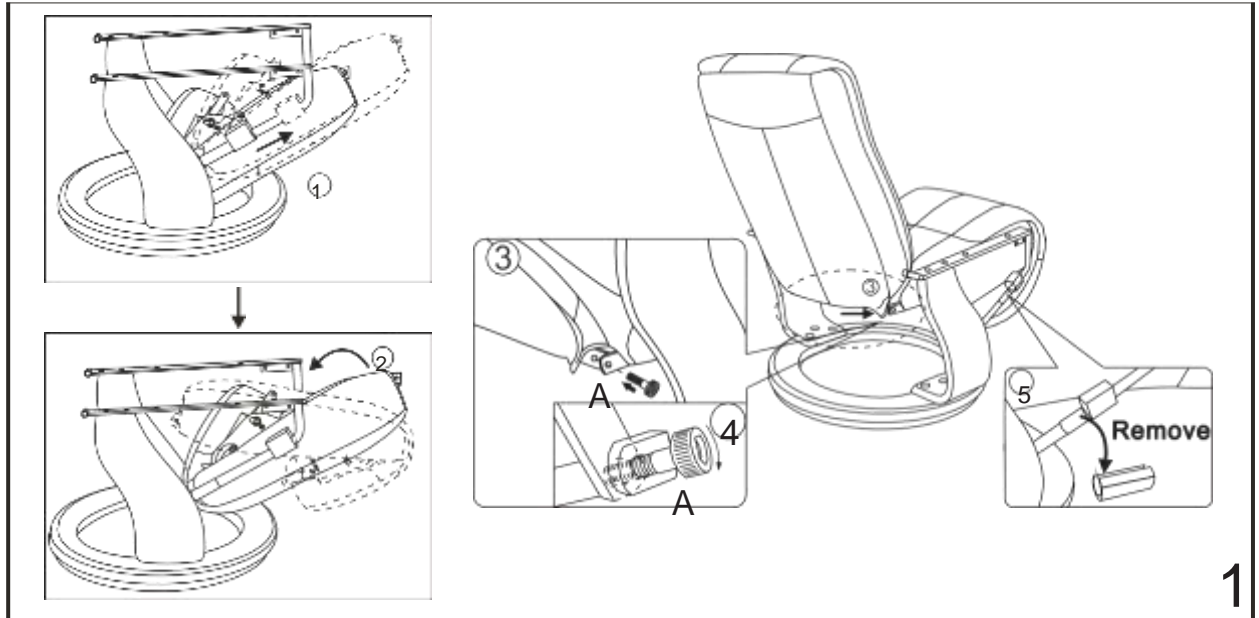
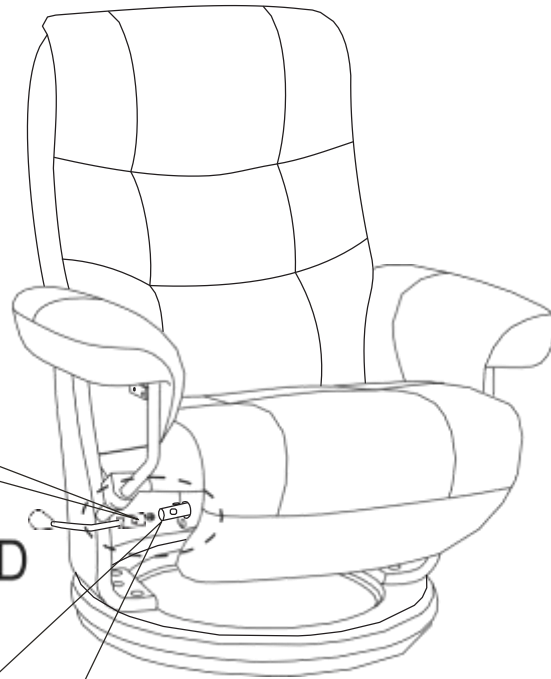
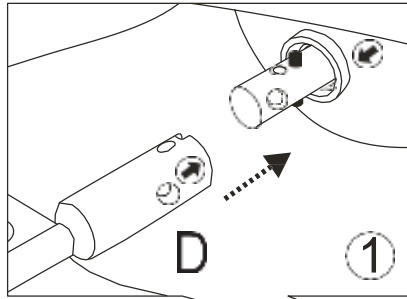


MARK OF VALUE

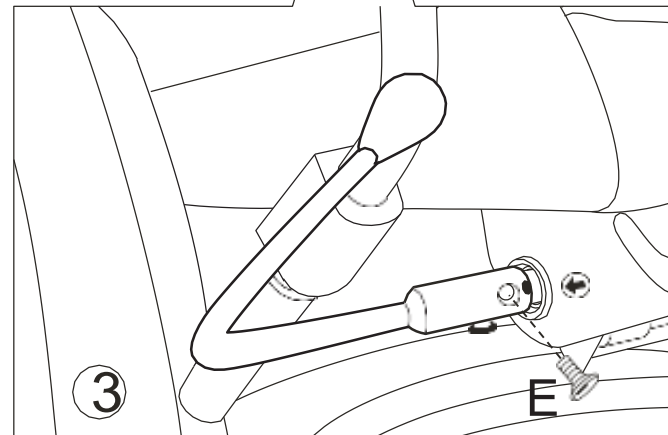
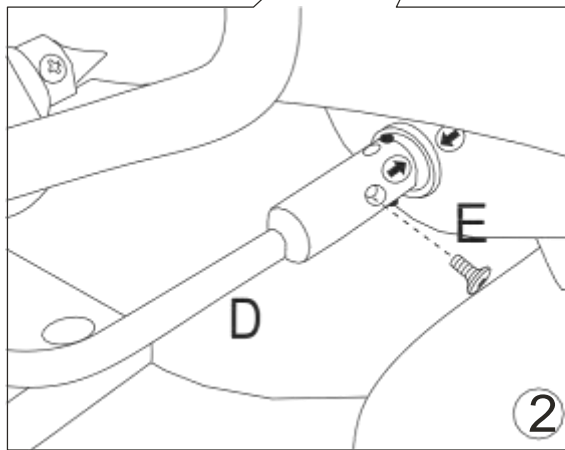
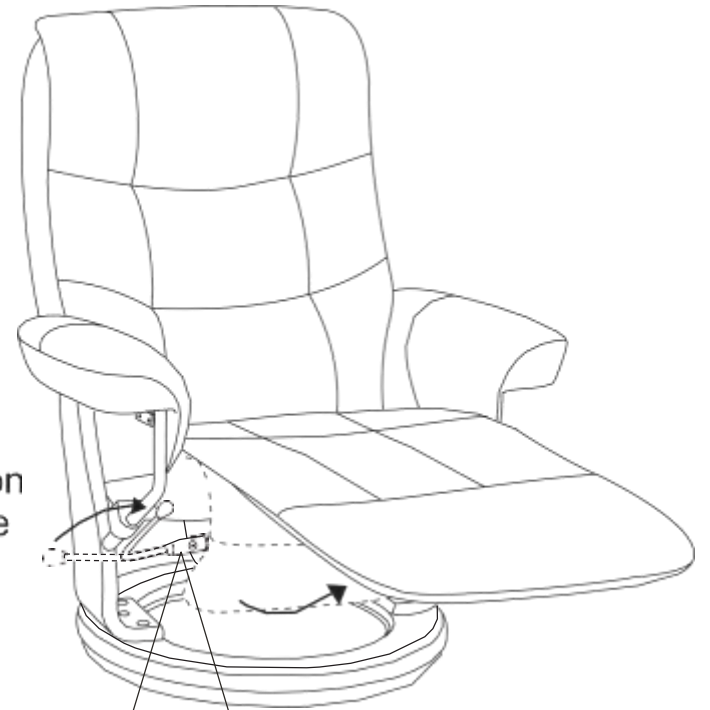


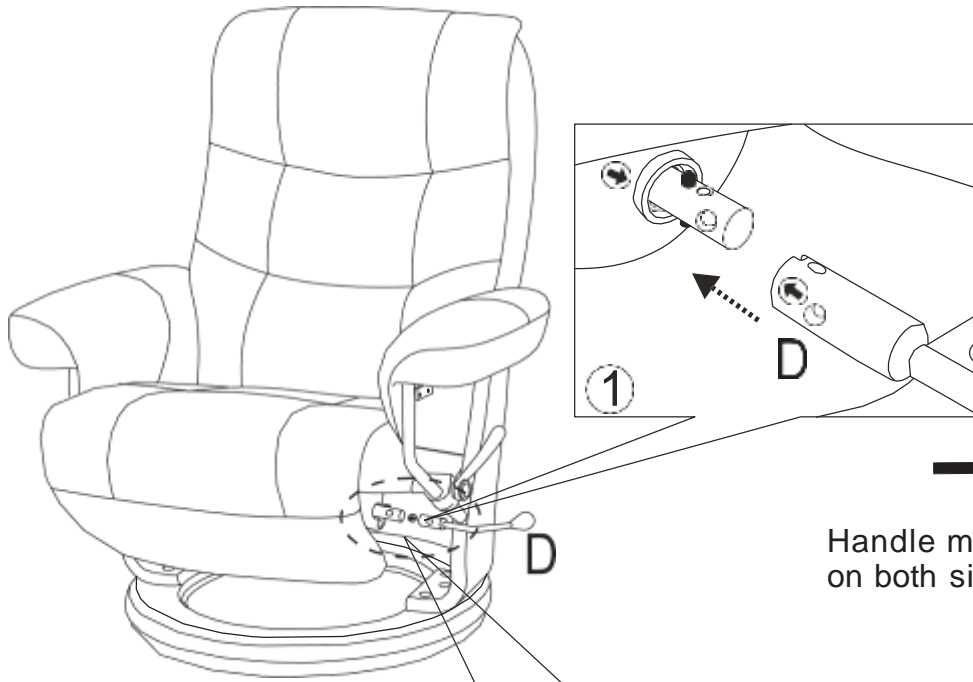
A	 M8X35	2PCS	D		1PC
B	 M8X70	2PCS	E		2PCS
C	 M6X20	4PCS	F		1SET



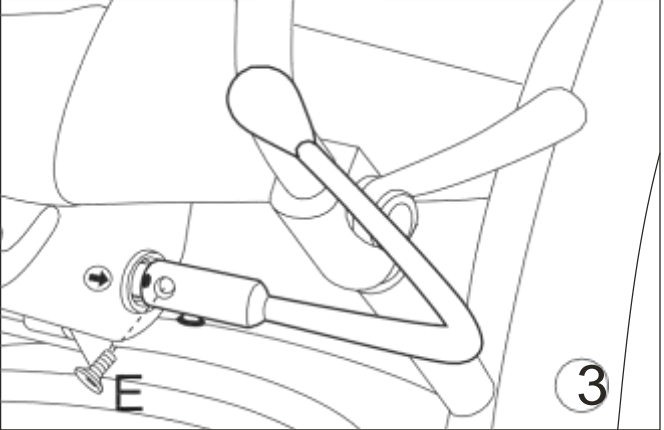
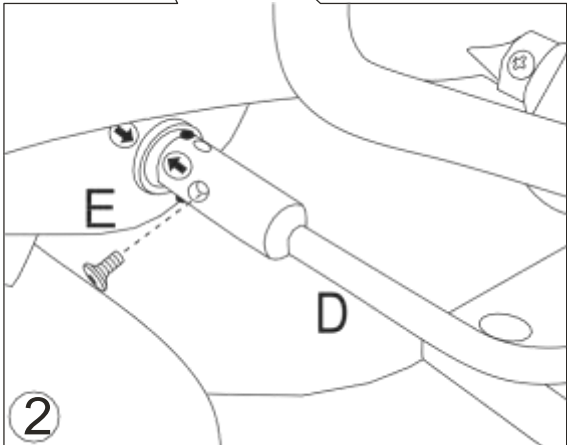
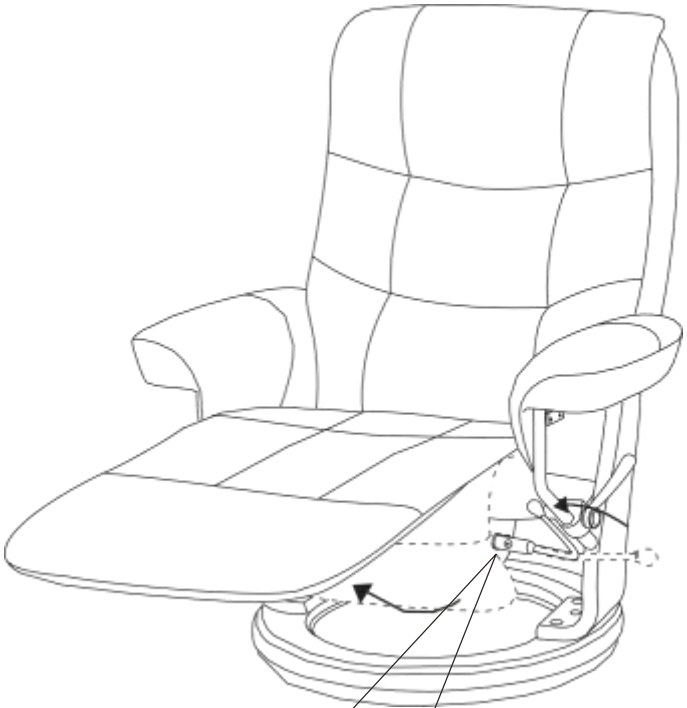


Be sure to push the handle to this position before you assemble the second bolt



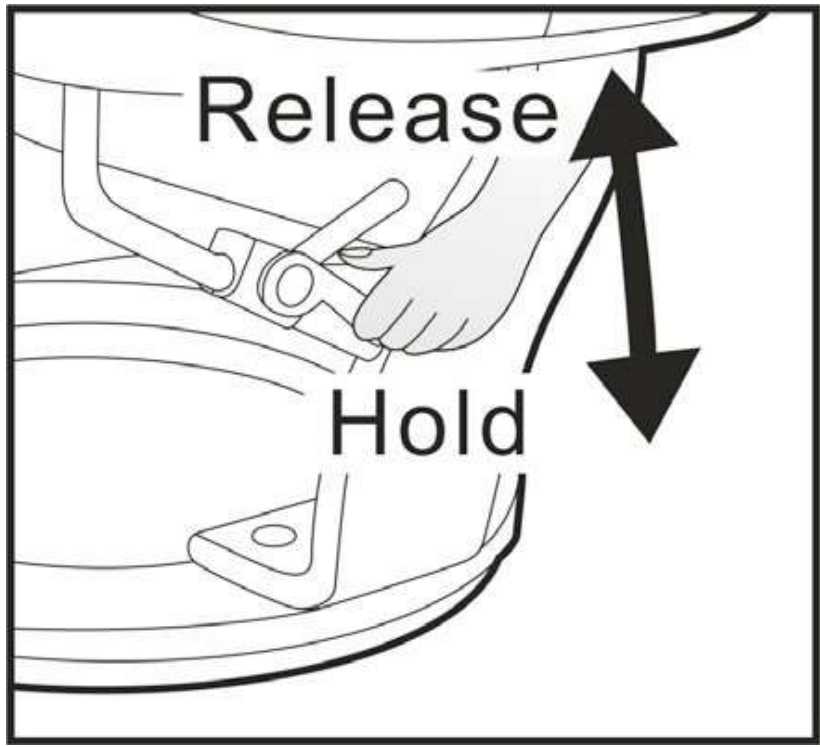


Handle may be installed on both sides



Recliner Position Control

Hold and Release:



Caution:

Avoid placing hand between lever and frame.

