

ASSEMBLY INSTRUCTIONS



SOFA

ASSEMBLY INSTRUCTIONS

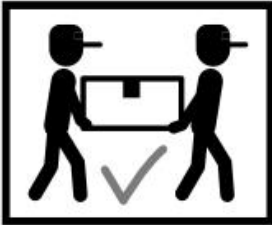
ASSEMBLY TIPS:

1. Remove hardware from box and sort by size.
2. Please check to see that all hardware and parts are present prior to start of assembly.
3. Please follow attached instructions in the same sequence as numbered to assure fast & easy assembly.



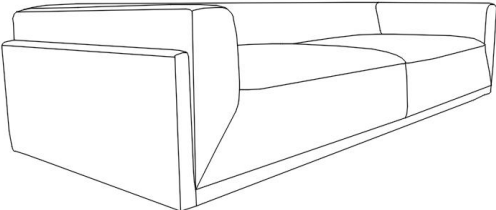
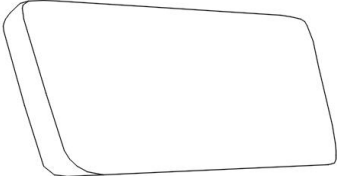


WARNING!

1. Don't attempt to repair or modify parts that are broken or defective. Please contact the store immediately.
2. This product is for home use only and not intended for commercial establishments.



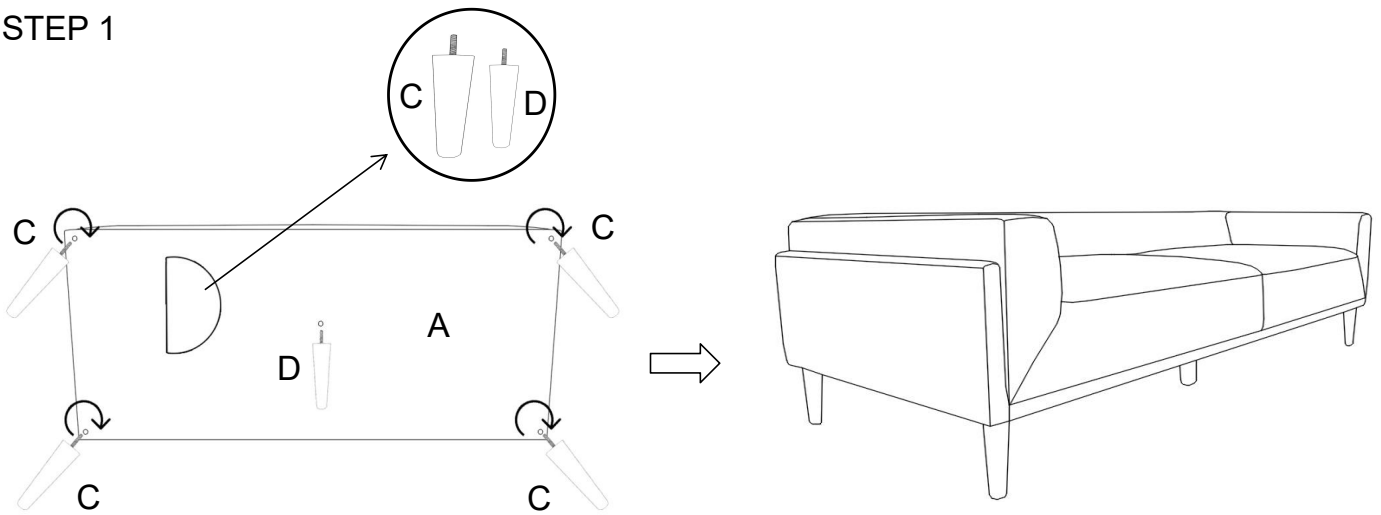
ASSEMBLY TIME 15 MINUTES

PARTS IDENTIFICATION

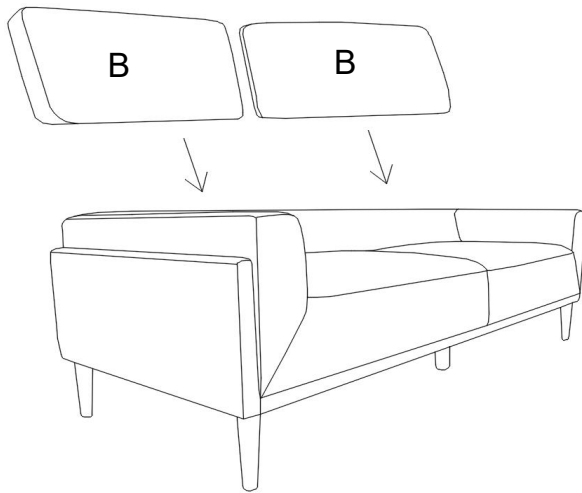
A		BASE	1PC
B		BACK CUSHION	2PCS
C		LEG	4PCS
D		MIDDLE LEG	1PC

ASSEMBLY INSTRUCTIONS

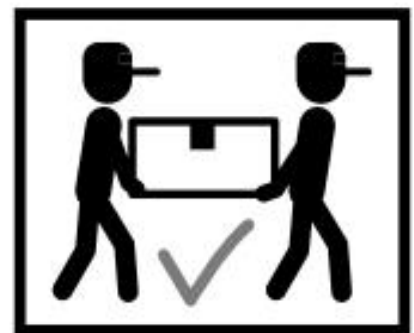
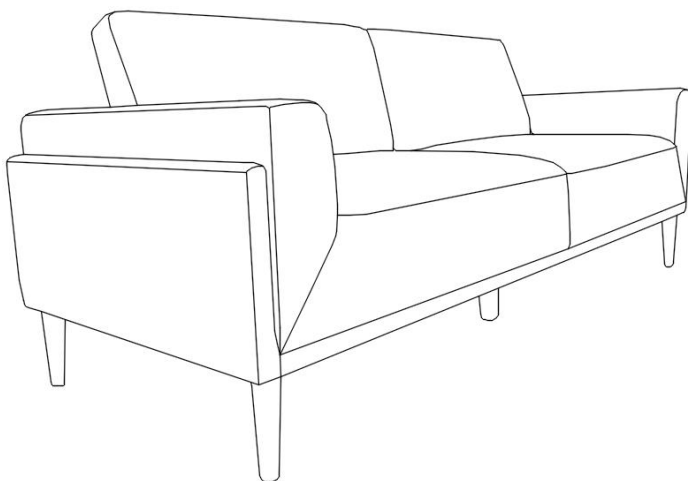
STEP 1

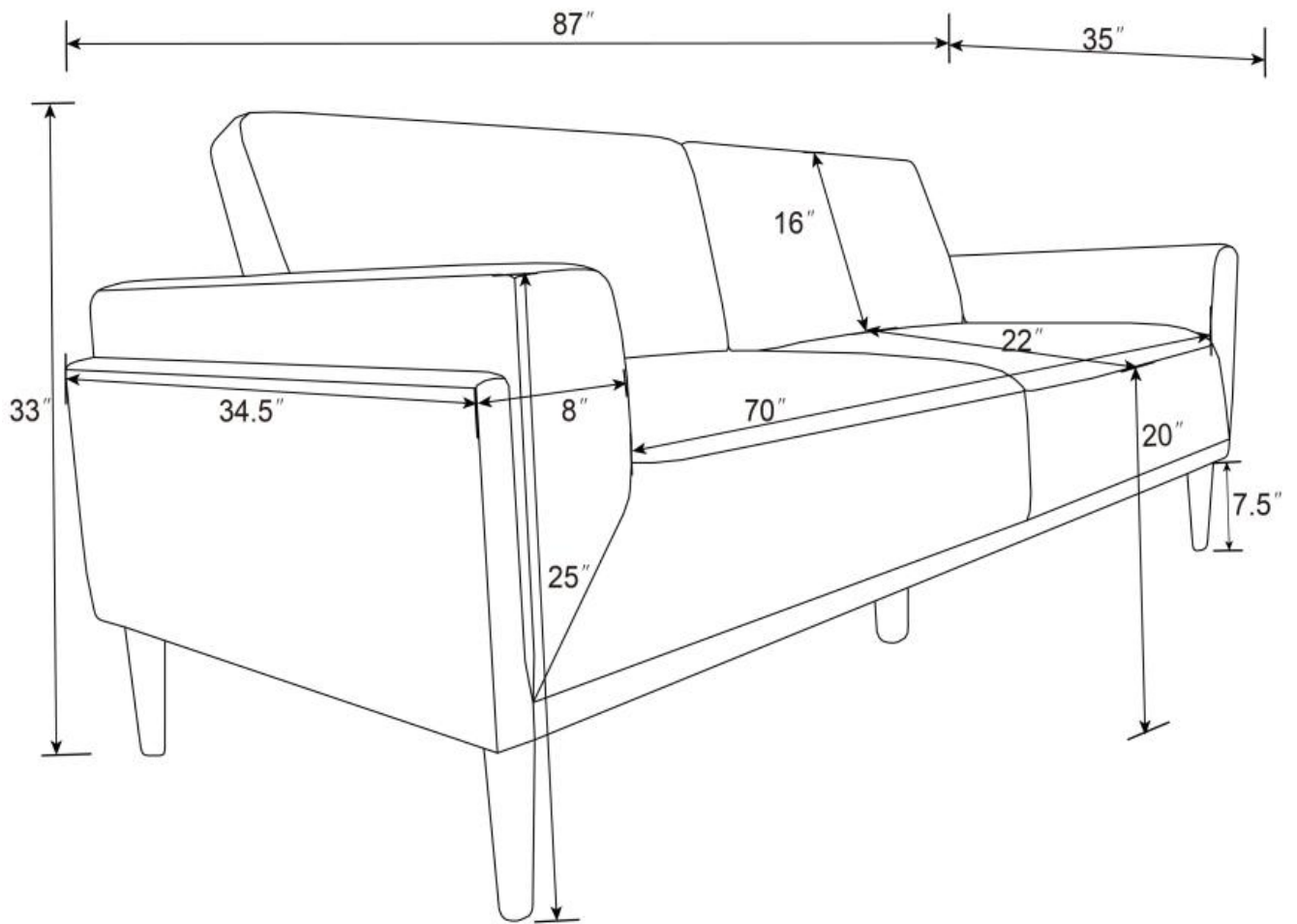


STEP 2



STEP 3





Note : Dimension tolerance $\pm 5\%$