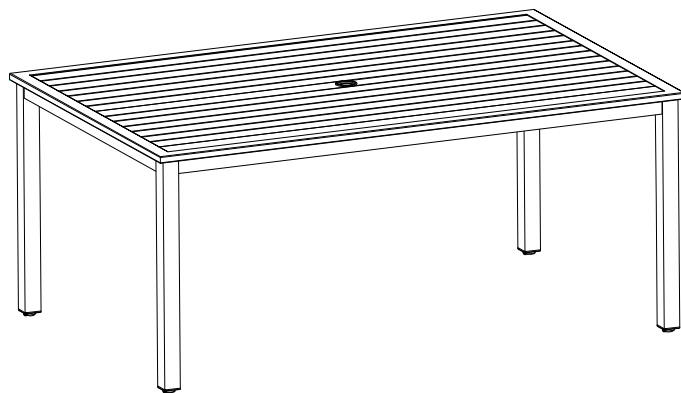
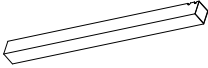
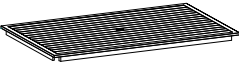


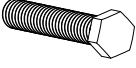

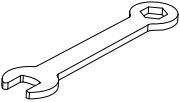
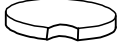
Outdoor Dining Table



PART LIST

<div data-bbox="60 159 97 197" data-label="Text">A</div> 	<div data-bbox="328 159 365 197" data-label="Text">B</div> 
<p>Leg 4 PCS</p>	<p>Top Panel 1 PC</p>

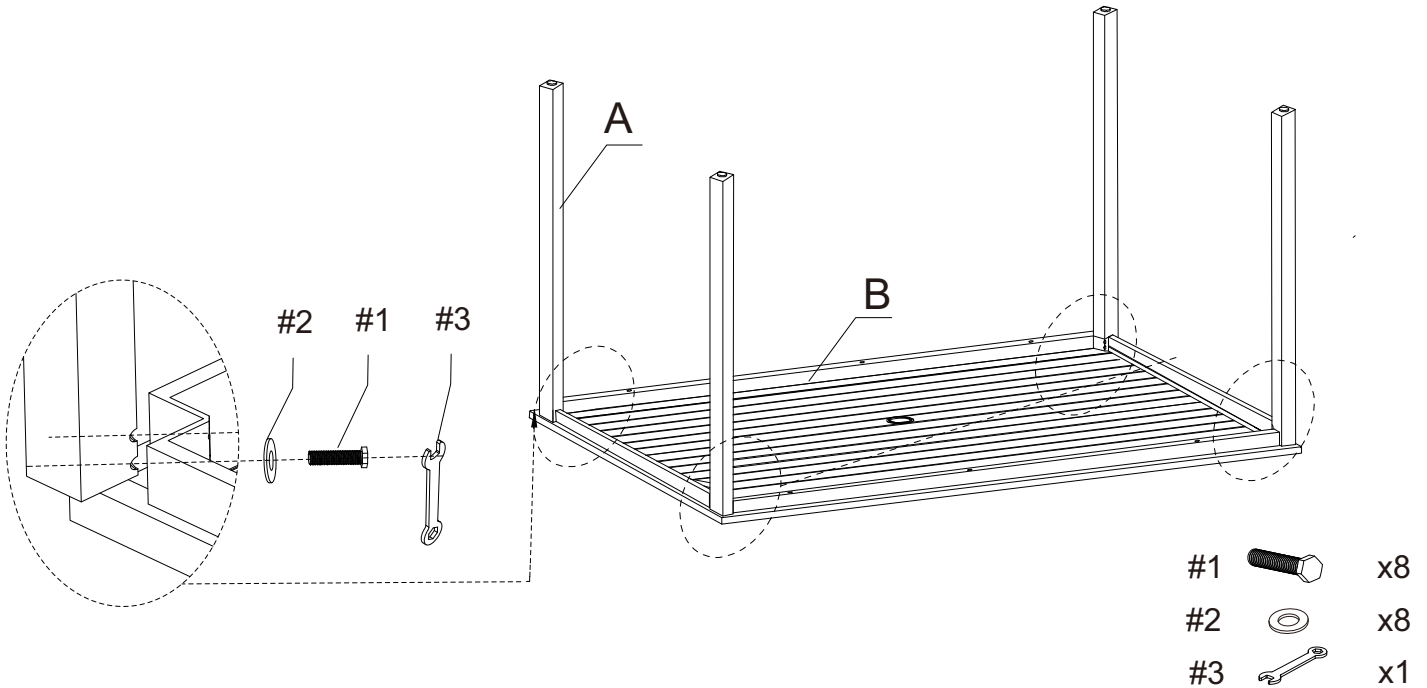
HARDWARE LIST

<div data-bbox="60 651 97 689" data-label="Text">#1</div>  <p>M8*35mm</p>	<div data-bbox="328 651 365 689" data-label="Text">#2</div>  <p>M6mm</p>	<div data-bbox="593 651 630 689" data-label="Text">#3</div> 	<div data-bbox="858 651 895 689" data-label="Text">#4</div> 
<p>Bolt 8 PCS (Extra 1)</p>	<p>Flat Washer 8 PCS (Extra 1)</p>	<p>Wrench 1 PC</p>	<p>Cap 1 PC</p>

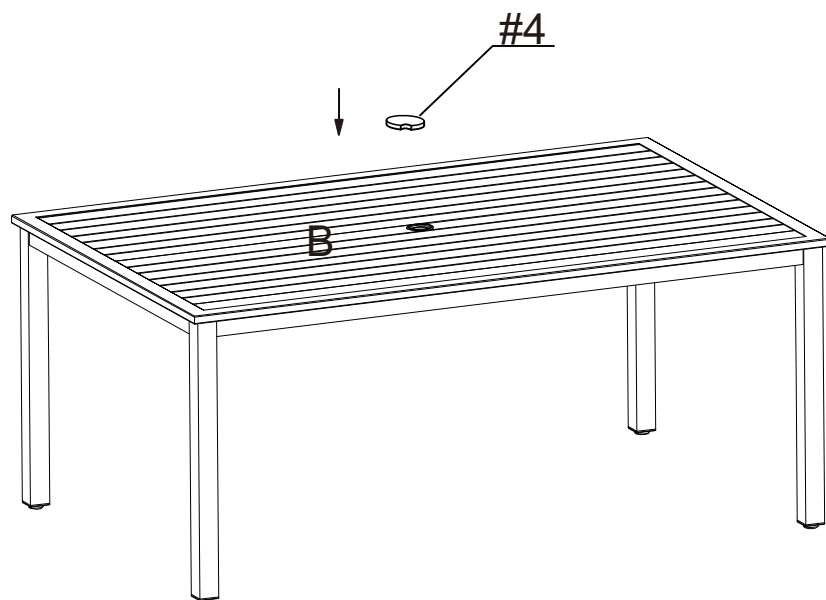
Step 1. Lay top panel (part B) upside down on a soft flat surface, such as carpet, as shown below. Attach legs (part A) to top panel (part B) using bolts (part #1), flat washers (part #2) and wrench (part #3).

NOTE: Please fully tighten all bolts at this time.

NOTE: It is important to adjust levelers once fully assembled and upright. Extend adjustable leveler until it's firmly in contact with the floor. If relocating, adjust leveler as needed until it's firmly in contact with the floor in new location.



Step 2. Carefully turn unit upright. Attach cap (part #4) to top panel (part B).



#4		x1
----	---	----