

# SEATER ASSEMBLY INSTRUCTION

Thank you for purchasing this quality product. Be sure to check all packing material carefully for small parts which may have come loose inside the carton during shipment. Separate, identify and count all parts and hardware. Compare with the parts list to be sure all parts are present.

**IMPORTANT : PLEASE READ INSTRUCTION BEFORE STARTING THE ASSEMBLY.**

**"DO NOT TIGHTEN SCREWS UNTIL COMPLETELY ASSEMBLED"**

**"DO NOT OVERTIGHT ANY HARDWARE"**

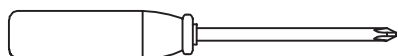
**WARNING : SMALL PARTS AND HARDWARE NOT FOR CHILDREN UNDER 3 YEARS. ADULT ASSEMBLY REQUIRED.**

## TABLE OF CONTENTS

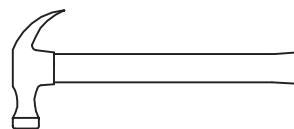
PARTS LIST	PAGE 2
PARTS' LOCATION	PAGE 3
ASSEMBLY STEPS	PAGE 4 - 6
ASSEMBLY COMPLETED	PAGE 6

## ASSEMBLY TOOLS REQUIRED

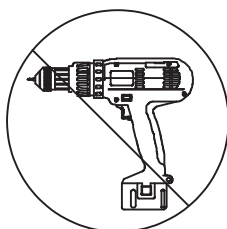
### 1. Screwdriver (not provide)



### 2. Hammer (not provide)

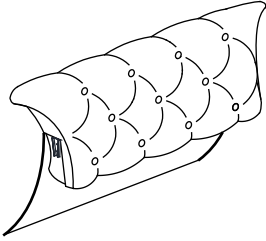
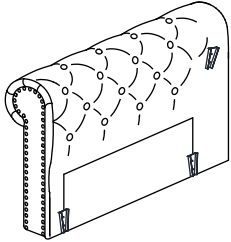
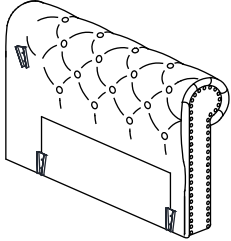
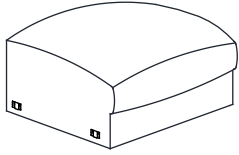
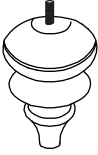


Skip the power drill this time.



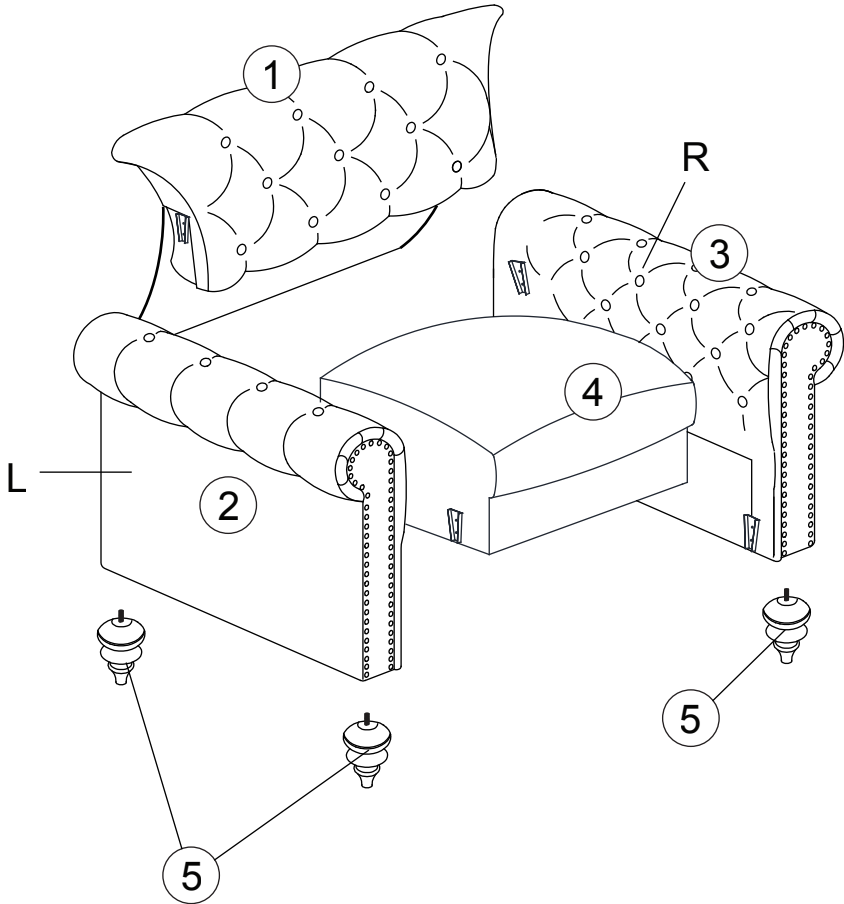
# SEATER ASSEMBLY INSTRUCTION

## PARTS LIST

ITEM	DESCRIPTION	DRAWING	QTY
1	BACK REST		1 PC
2	SIDE PANEL (L)		1 PC
3	SIDE PANEL (R)		1 PC
4	SEAT		1 PC
5	LEG		4PCS

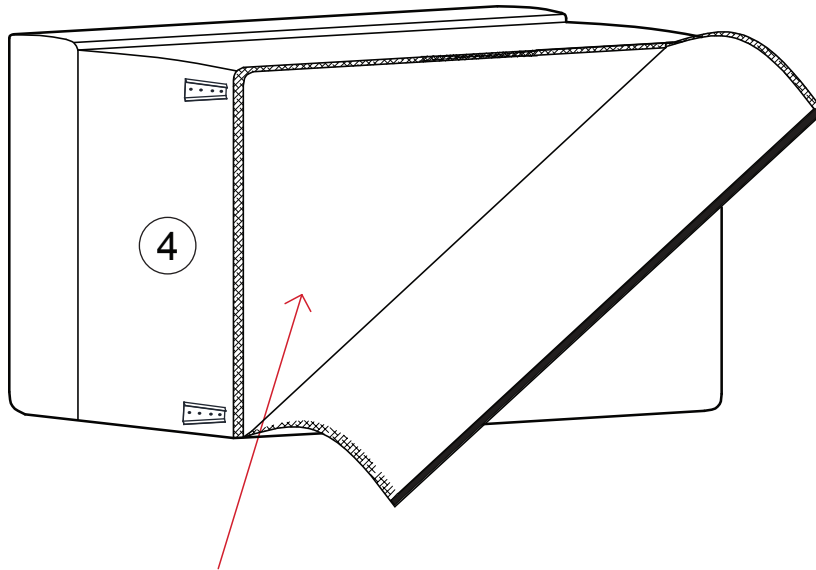
# 1 SEATER ASSEMBLY INSTRUCTION

## PARTS ' LOCATION



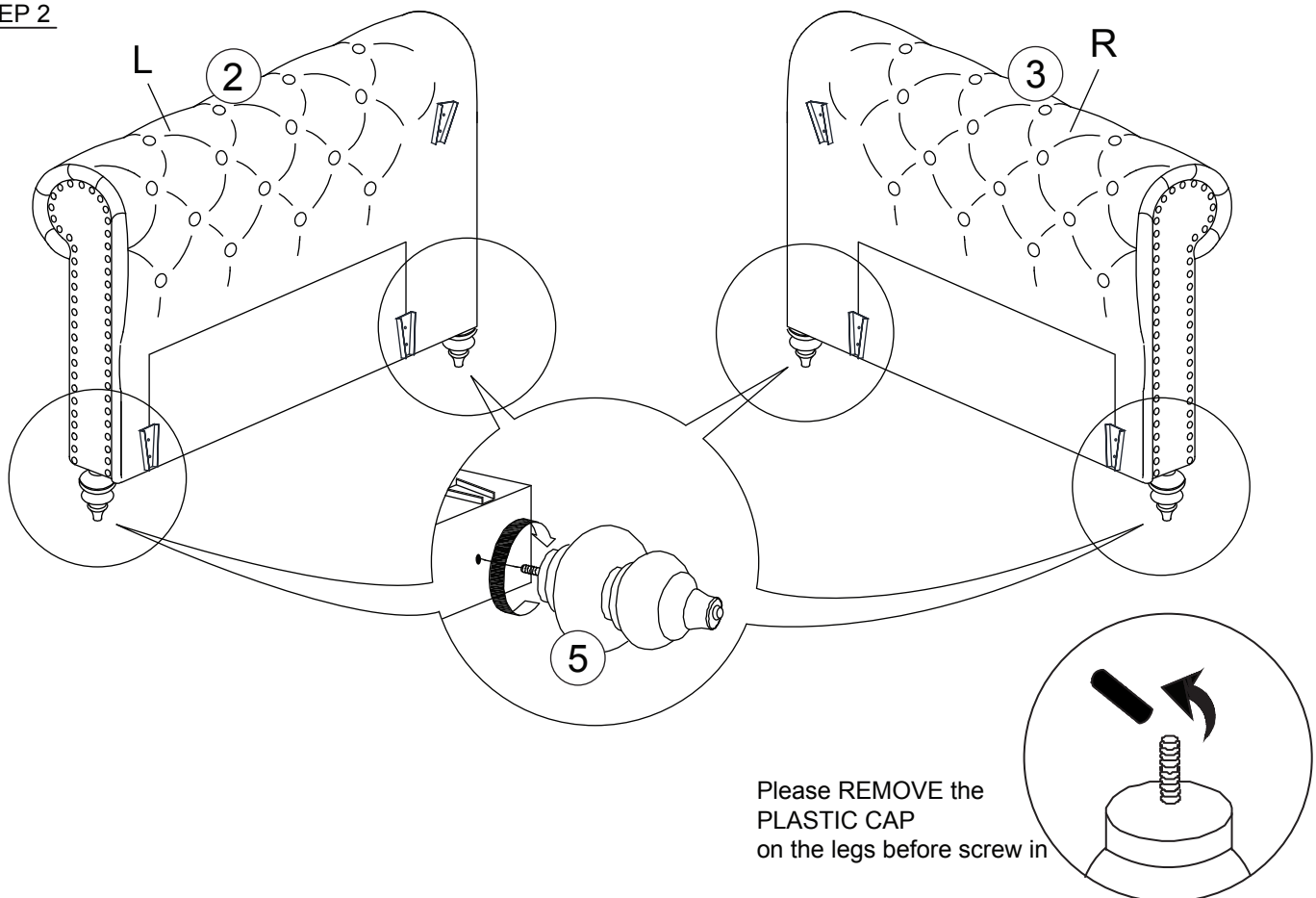
# 1 SEATER ASSEMBLY INSTRUCTION

## STEP 1



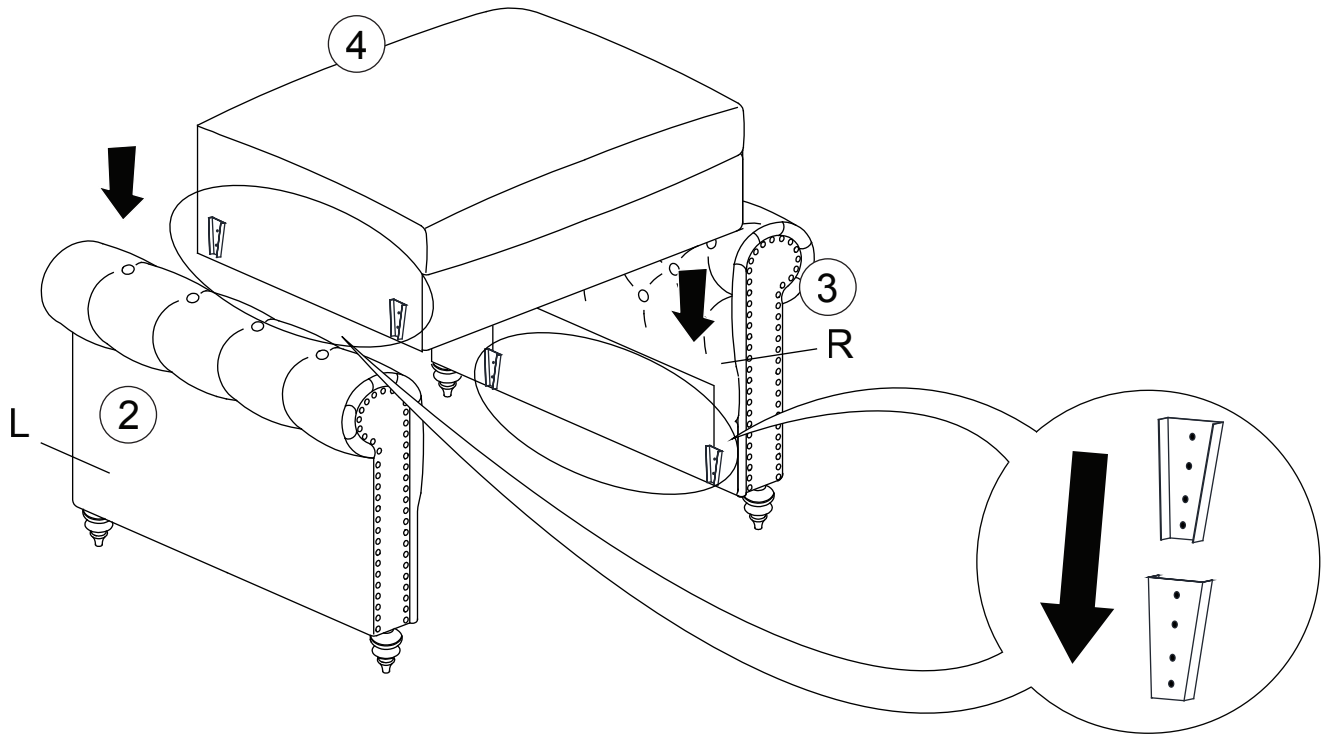
Get all others parts from compartment of seat frame.

## STEP 2

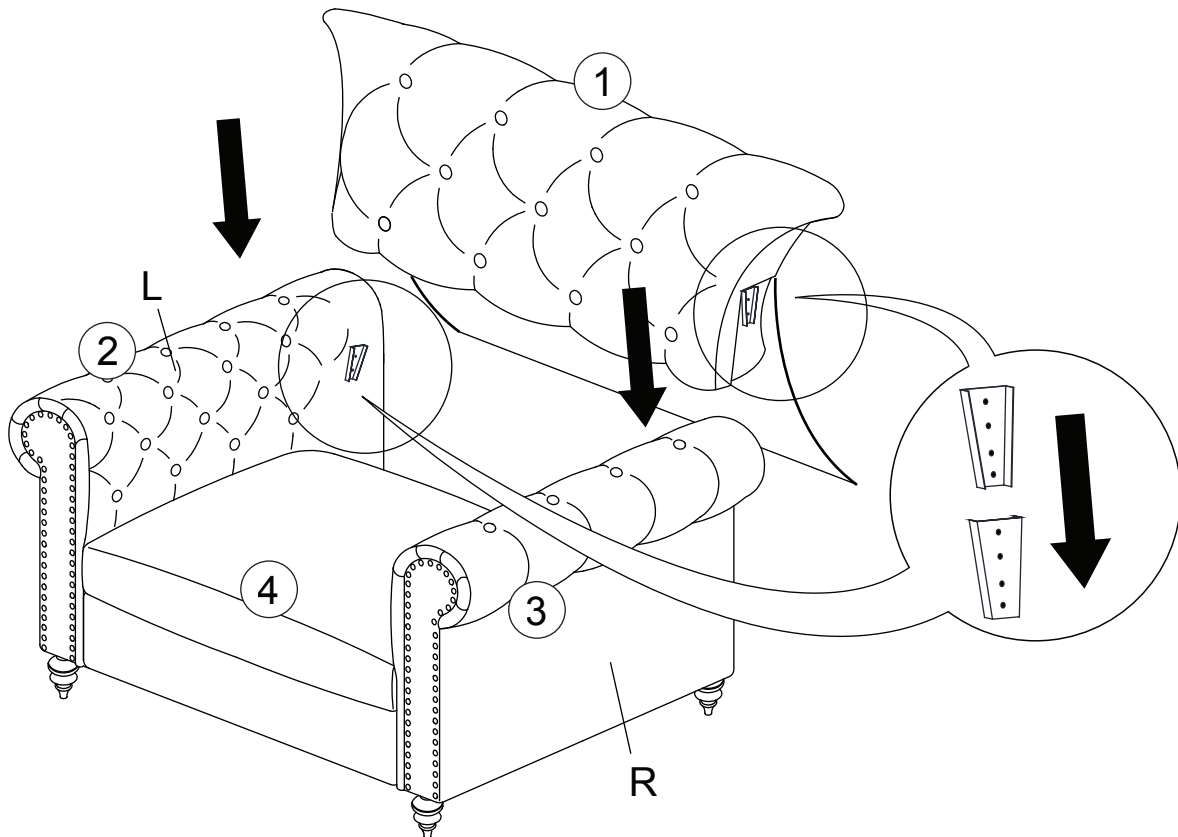


# 1 SEATER ASSEMBLY INSTRUCTION

## STEP 3

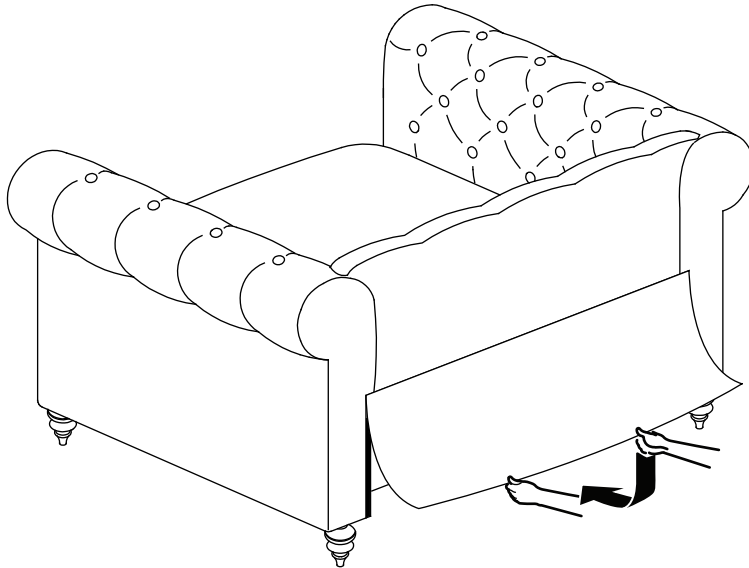


## STEP 4

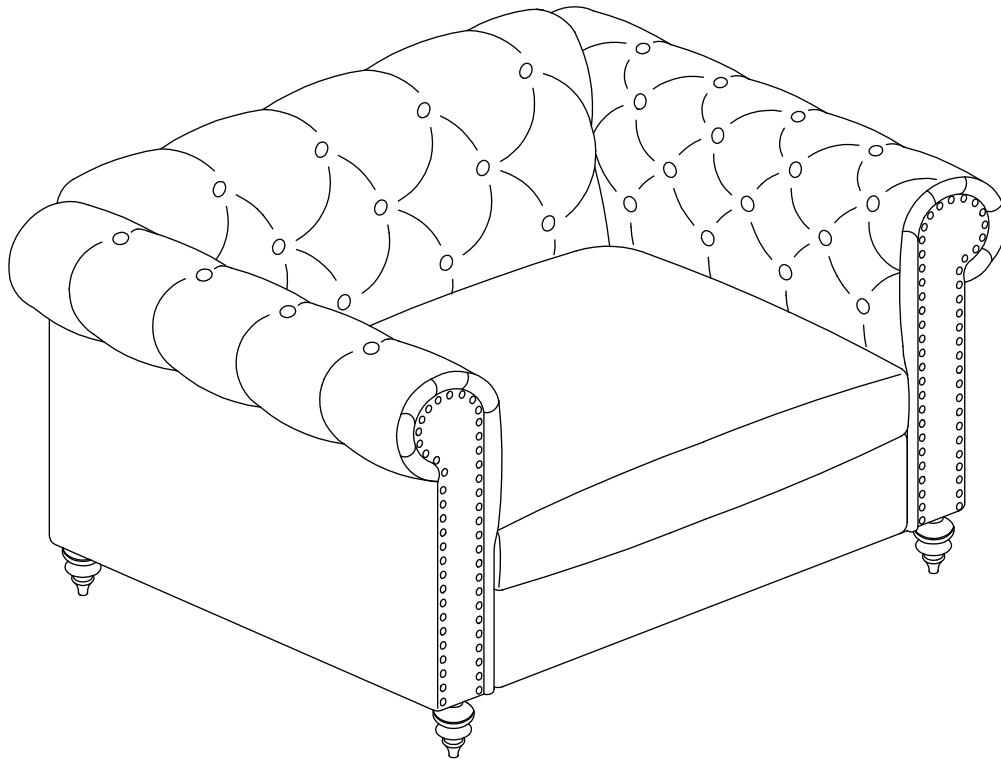


# 1 SEATER ASSEMBLY INSTRUCTION

## STEP 5



## STEP 6



**ASSEMBLY COMPLETED**