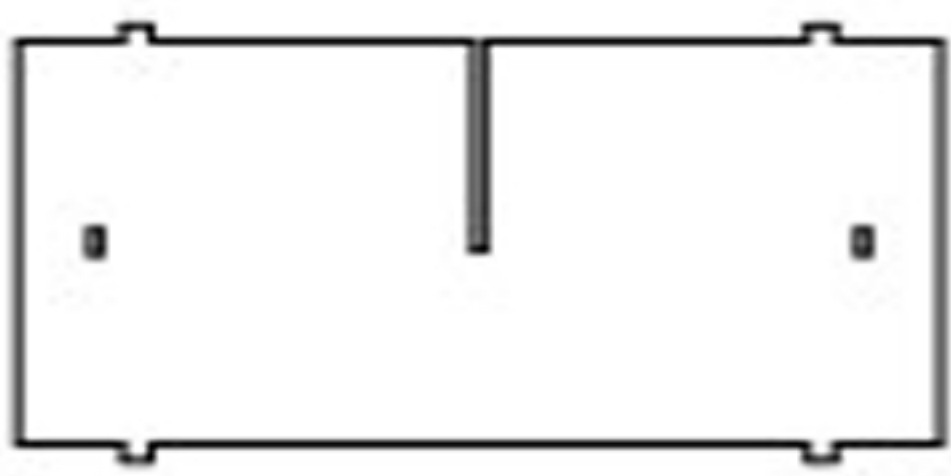
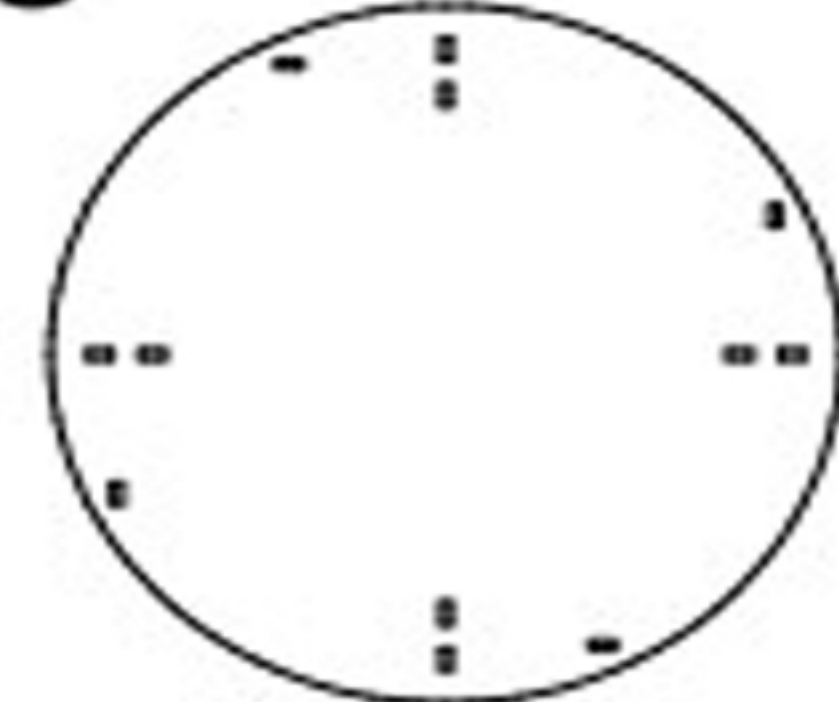
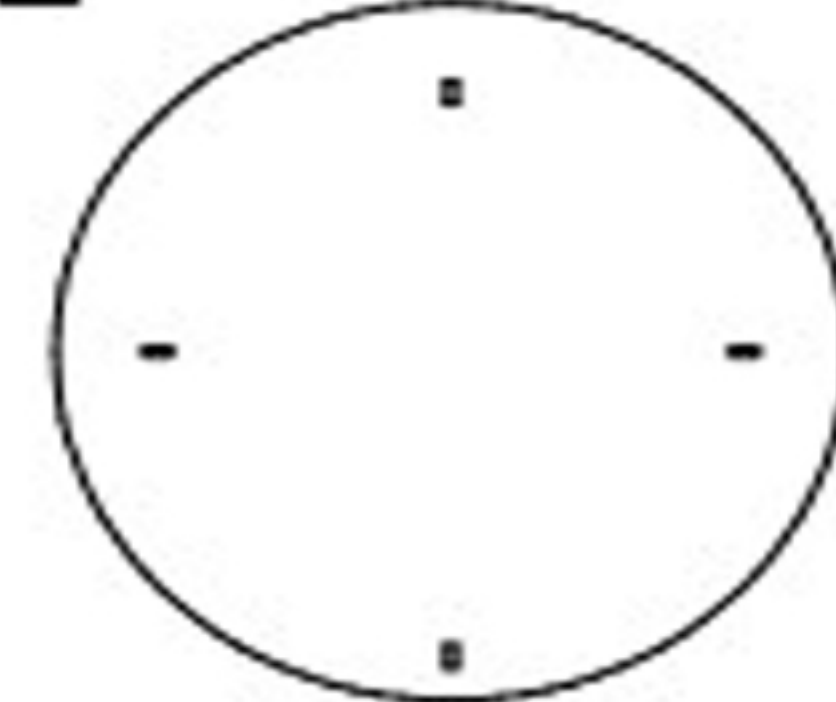
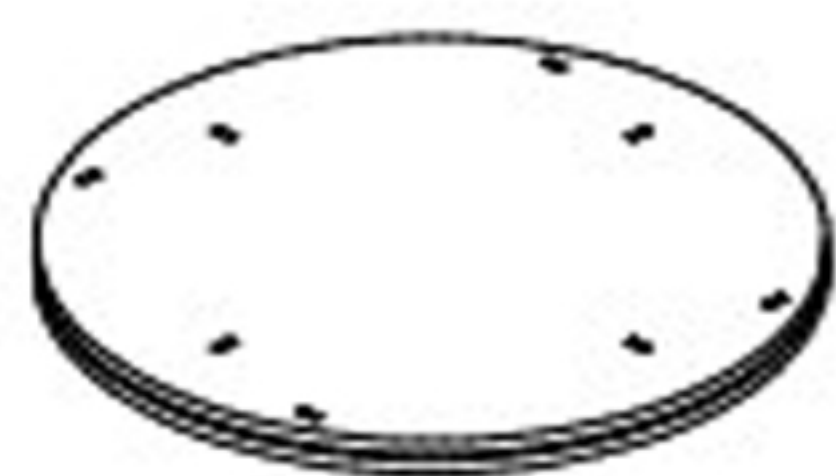

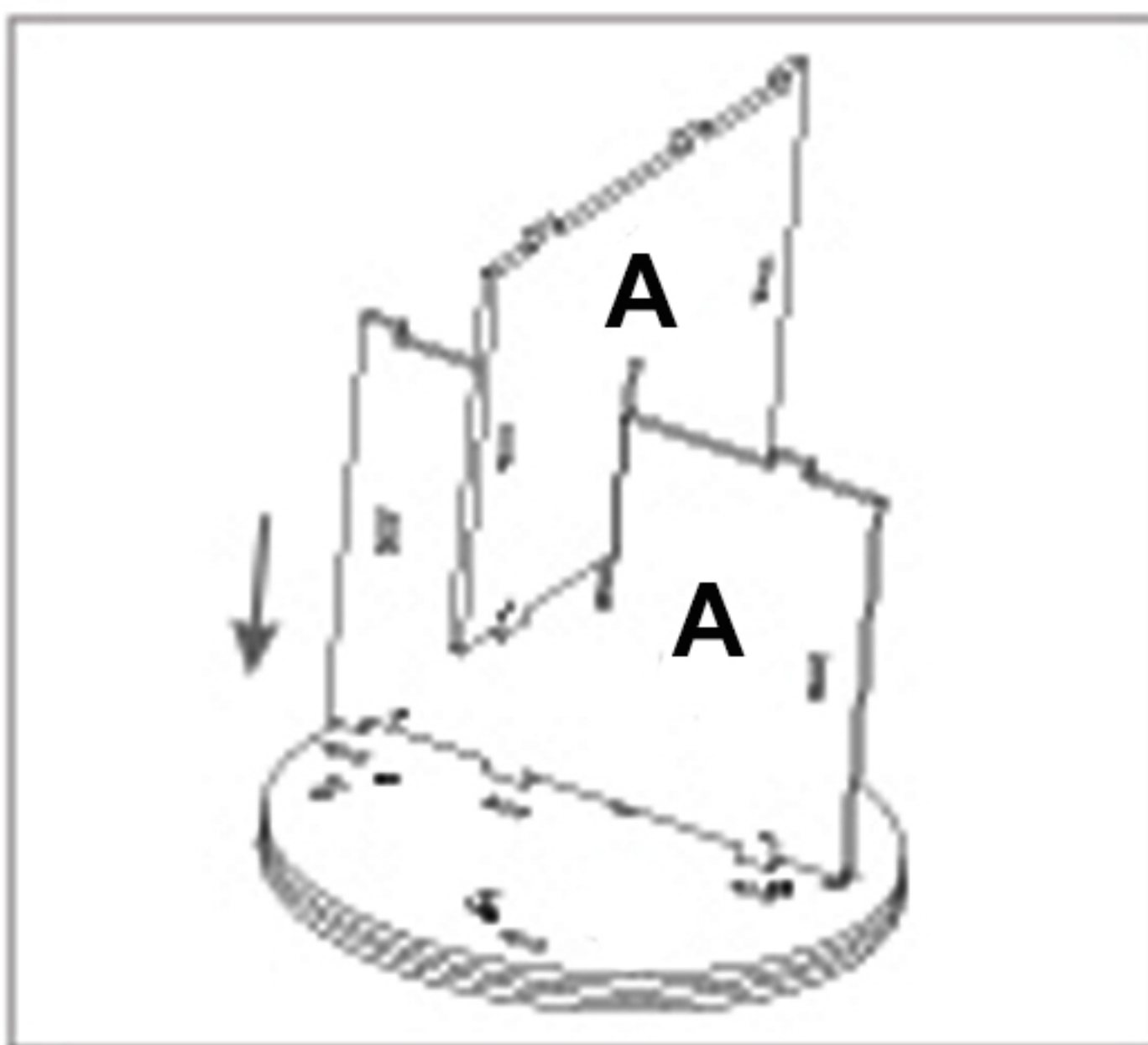


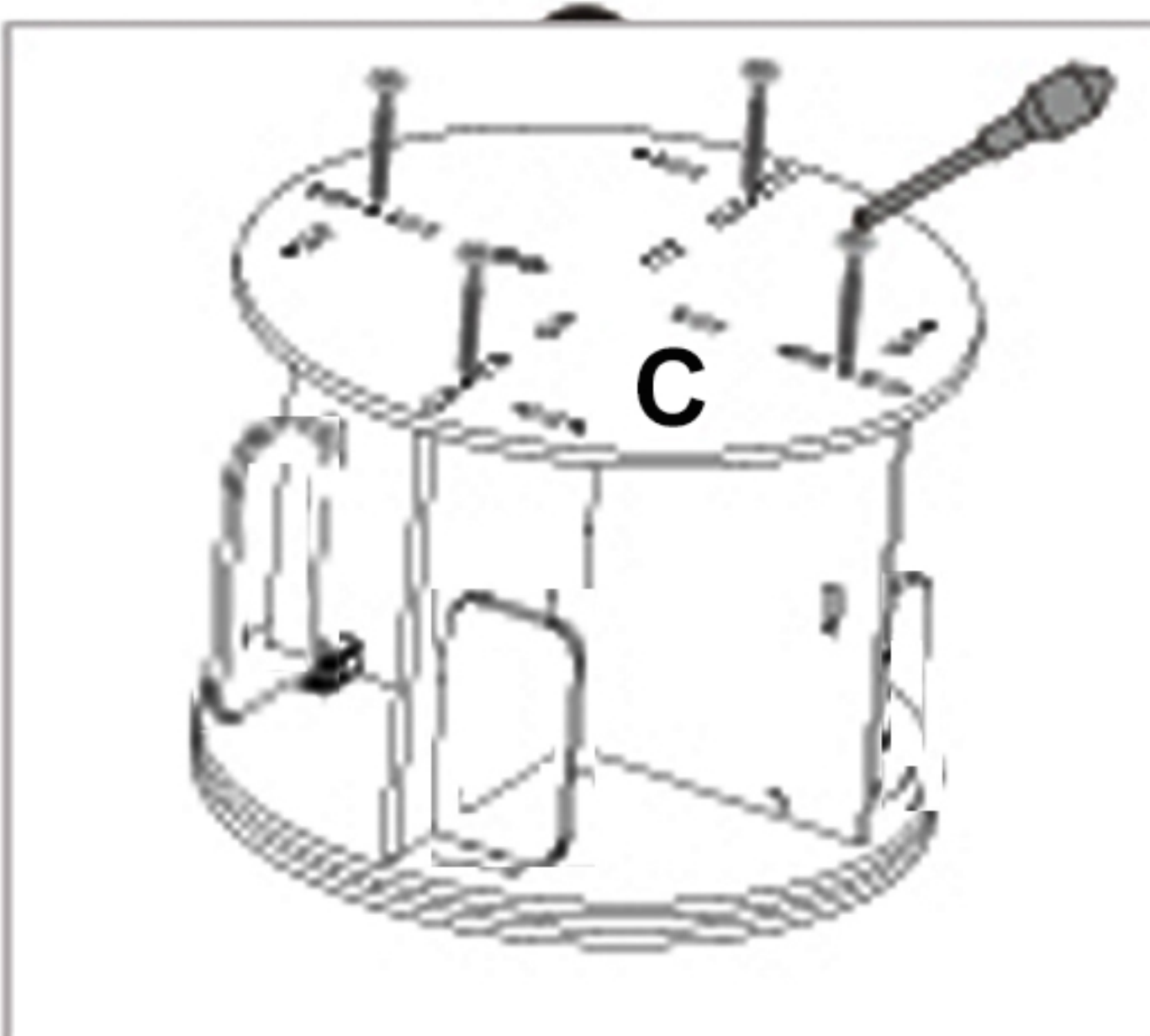
# Instruction Manual

<p><b>A</b></p>  <p>x8</p>	<p><b>C</b></p>  <p>x3</p>	<p><b>E</b></p>  <p>x1</p>
<p><b>B</b></p>  <p>x1</p>	<p><b>D</b></p>  <p>x16</p>	



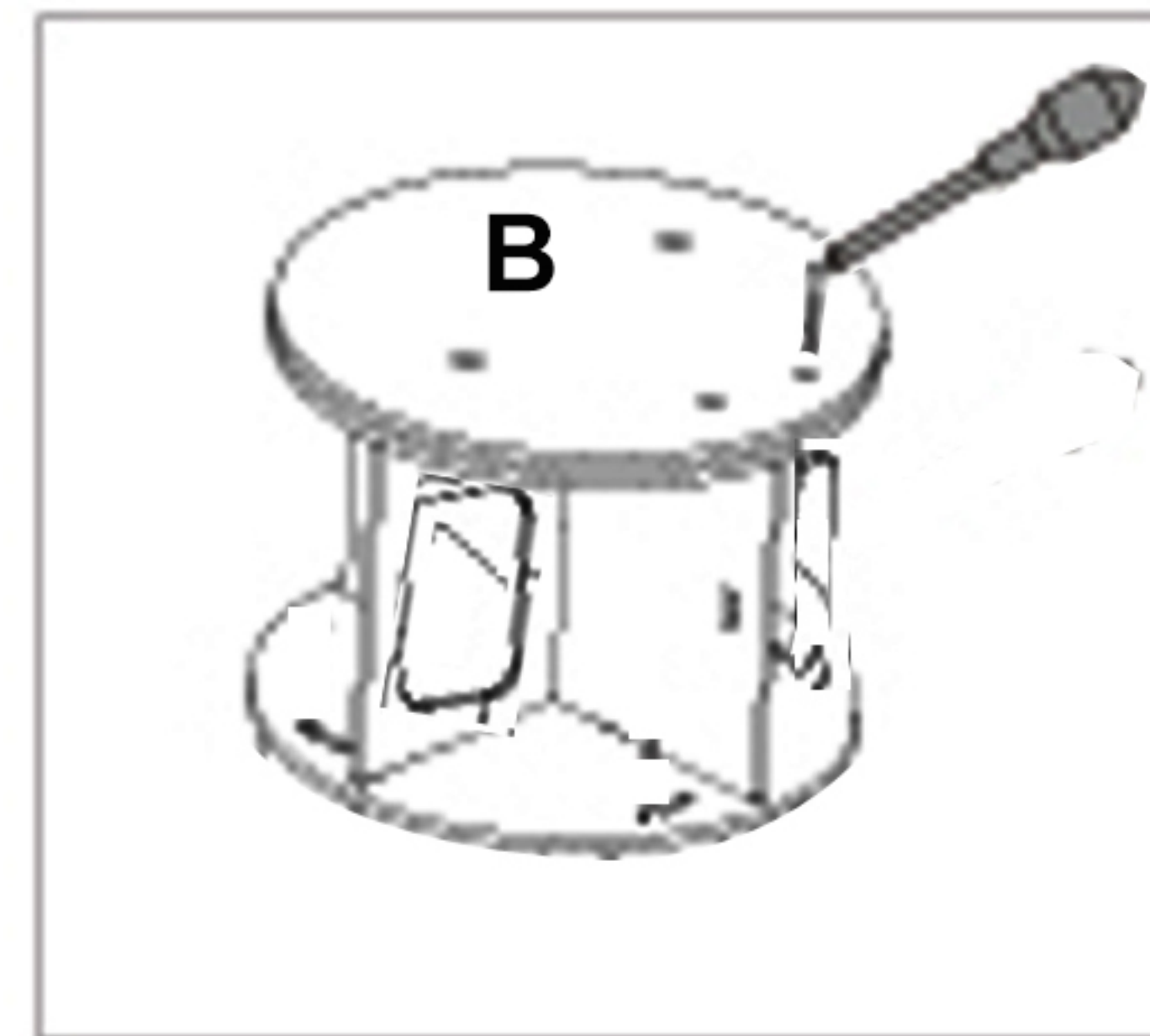
**step 1:**

Place the double layer base horizontally and insert A into the corresponding slot respectively.



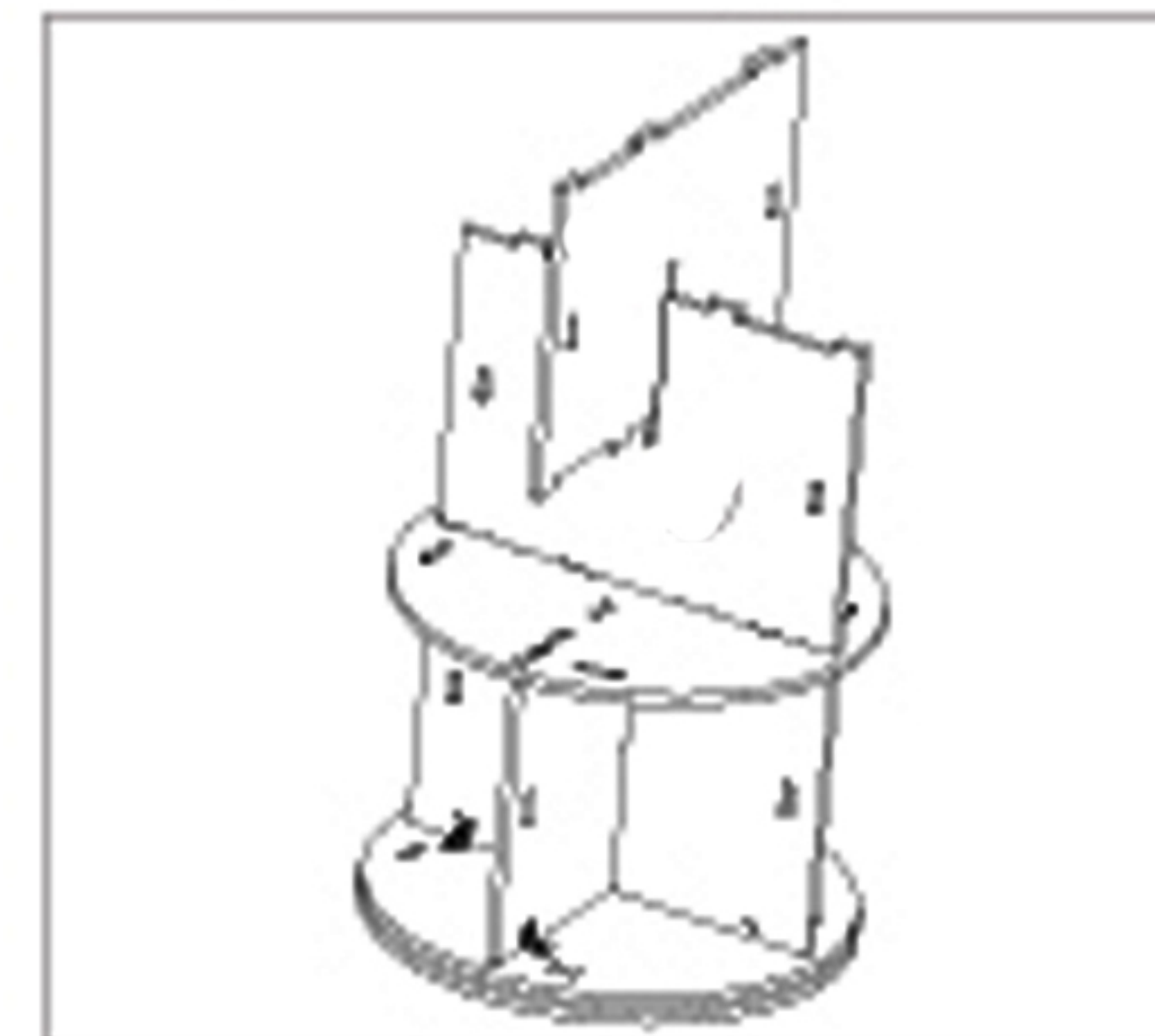
**step 2:**

Insert C into the corresponding slot and fix it with screws.



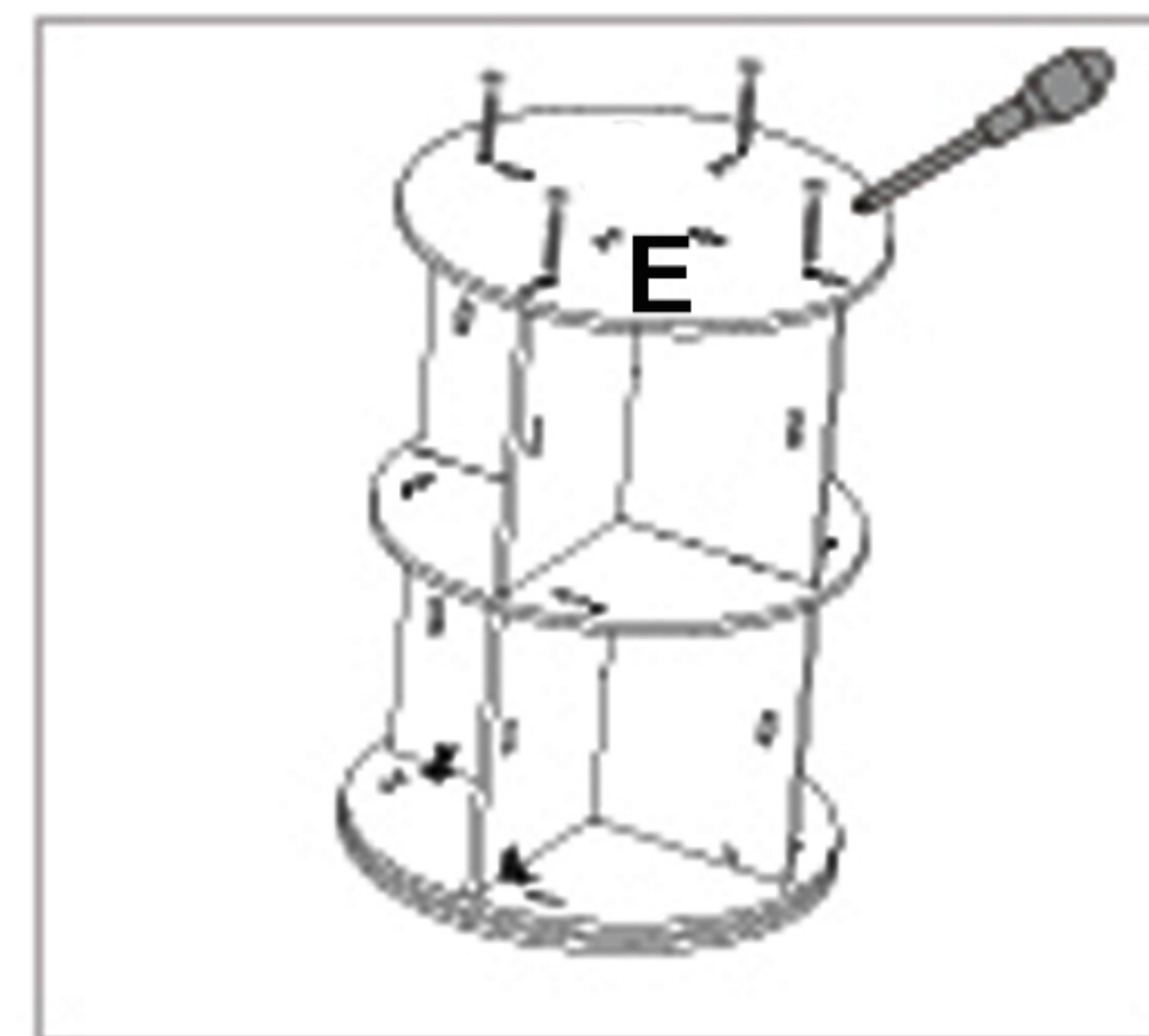
**step 3:**

Turn the bookshelf upside down, the upper and lower two round holes correspond, fixed with screws.



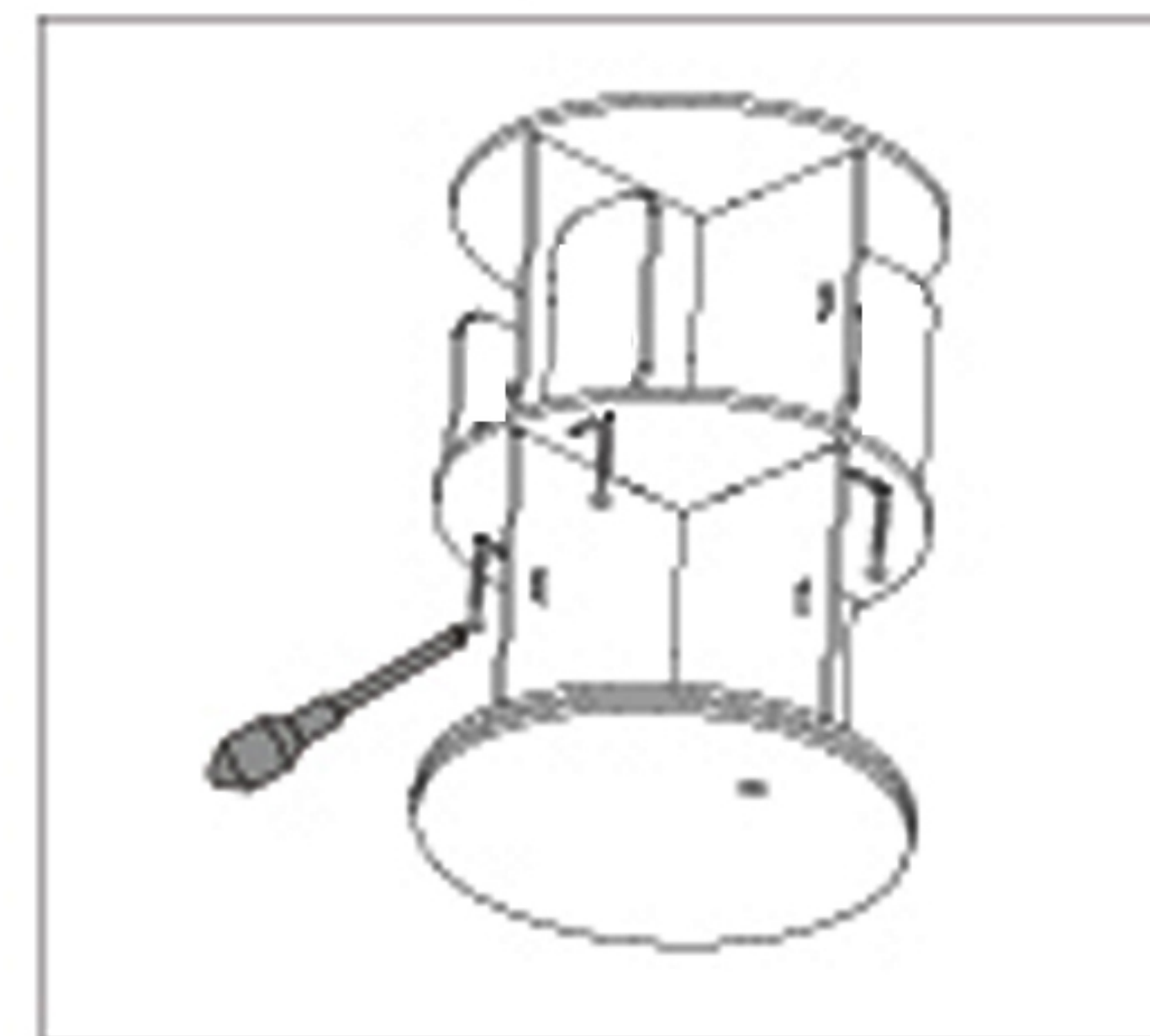
**step 4:**

Insert A into the corresponding slot and install the remaining layers in sequence according to step 2.



**step 5:**

Put the E cover on and secure it with screws.



**step 6:**

Fixing D with screws

