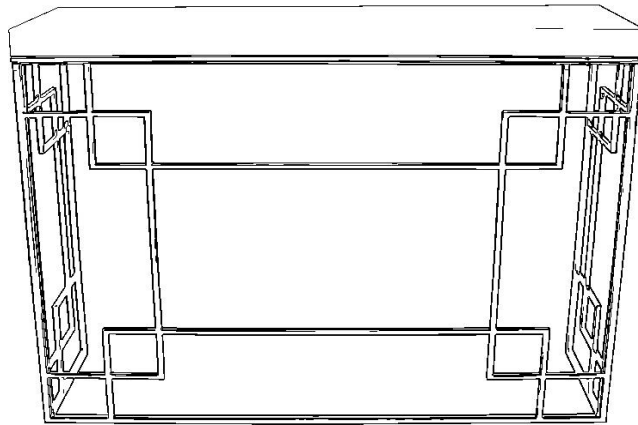


Assembly Instructions

Caution : You must read this before you proceed



TABLE



Parts List

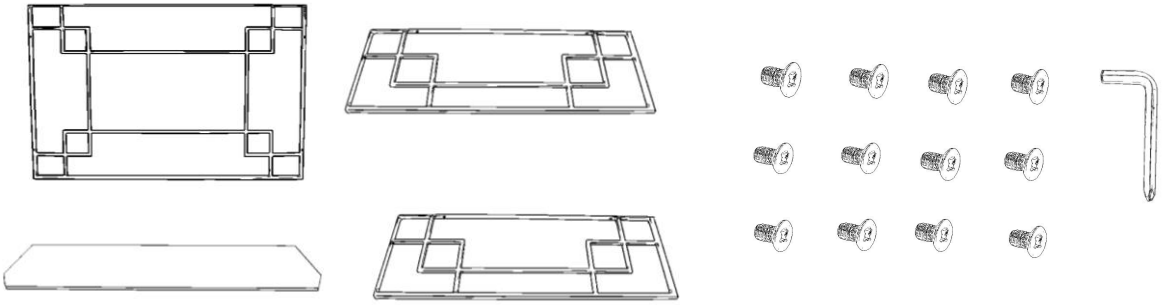
Label	Picture	Description	QTY
A		Front Panel	1
B		Side Panel	2
C		Table Top	1

Hardware

Label	Picture	Description	QTY
①		Bolt(M6*10MM)	12
②		Allen Wrench	1

Assembly Preparation

Before Beginning Assembly :




- Read instructions, cover to cover-



- Have 2 adults on hand for assembly-



- Do not assemble on flooring or carpet-



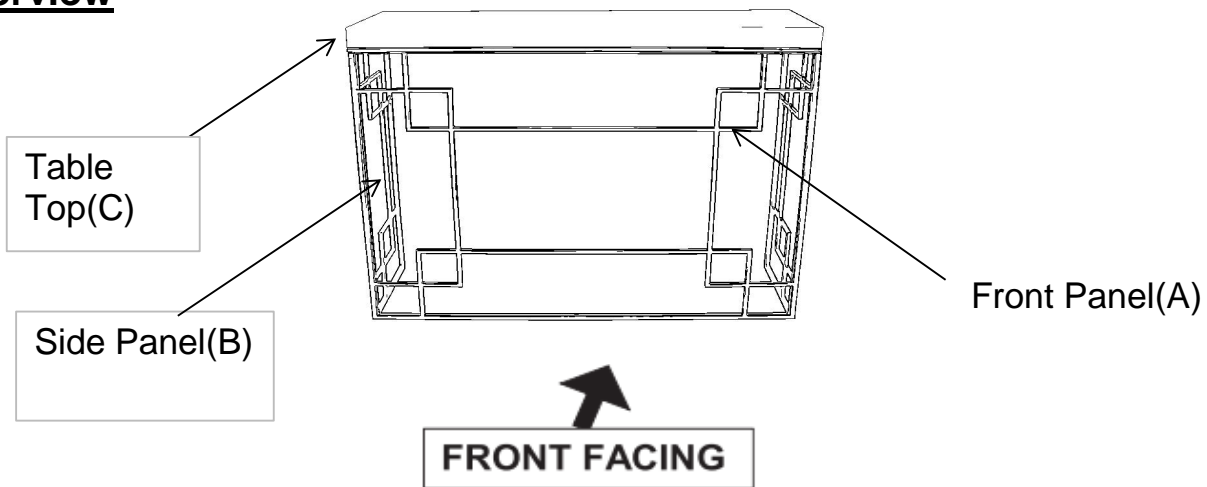
- Assemble on a clean non-marring surface (packing foam)-



- Save all packaging until finished-

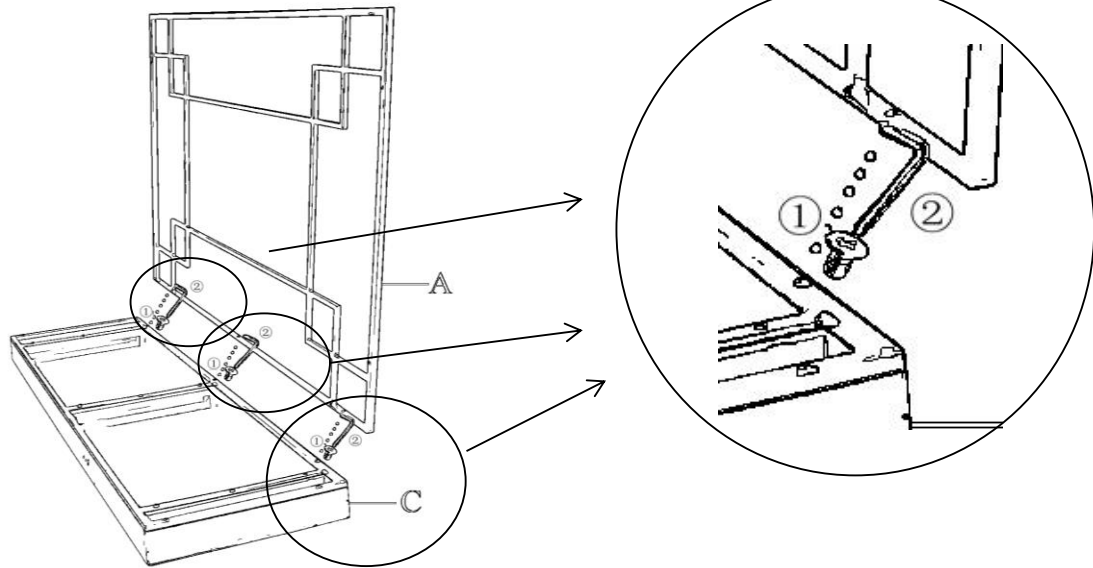
Assembly Steps

Overview



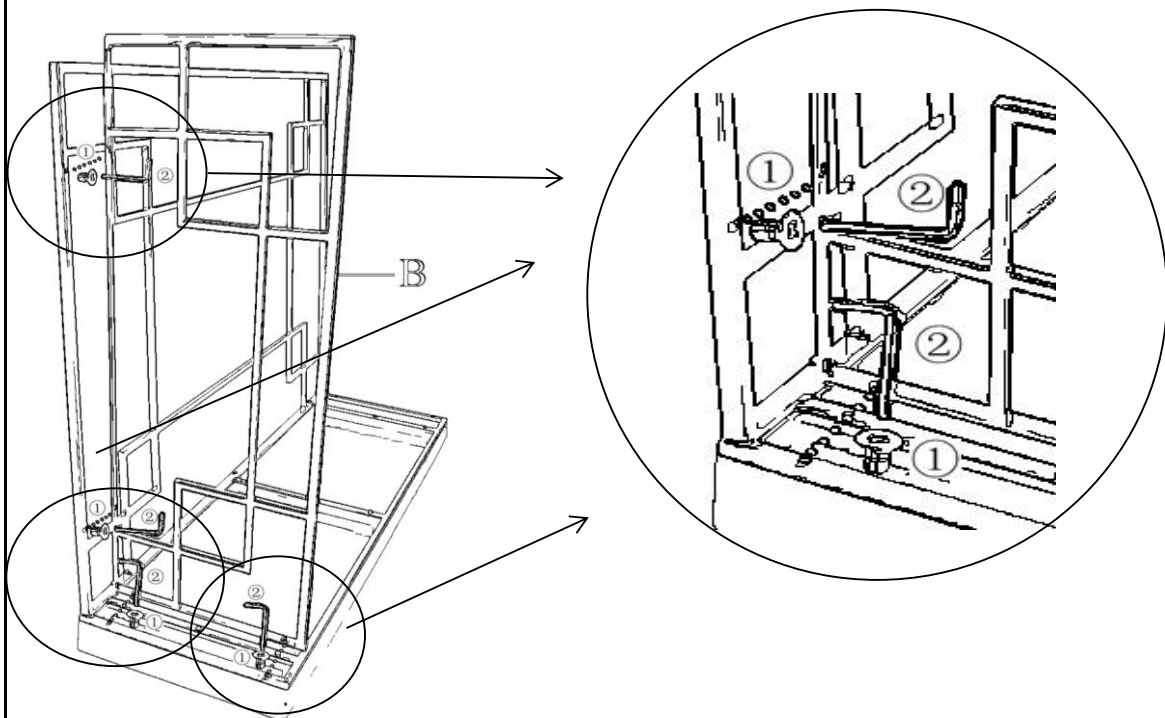
This Table has multiple parts and may require up to some 30 minutes to assemble. To give you an overview of the Table parts, the above picture is to help you put the various parts into perspective. Please read through the instructions below to familiarise yourself with the parts and steps before assembly.

Step 1



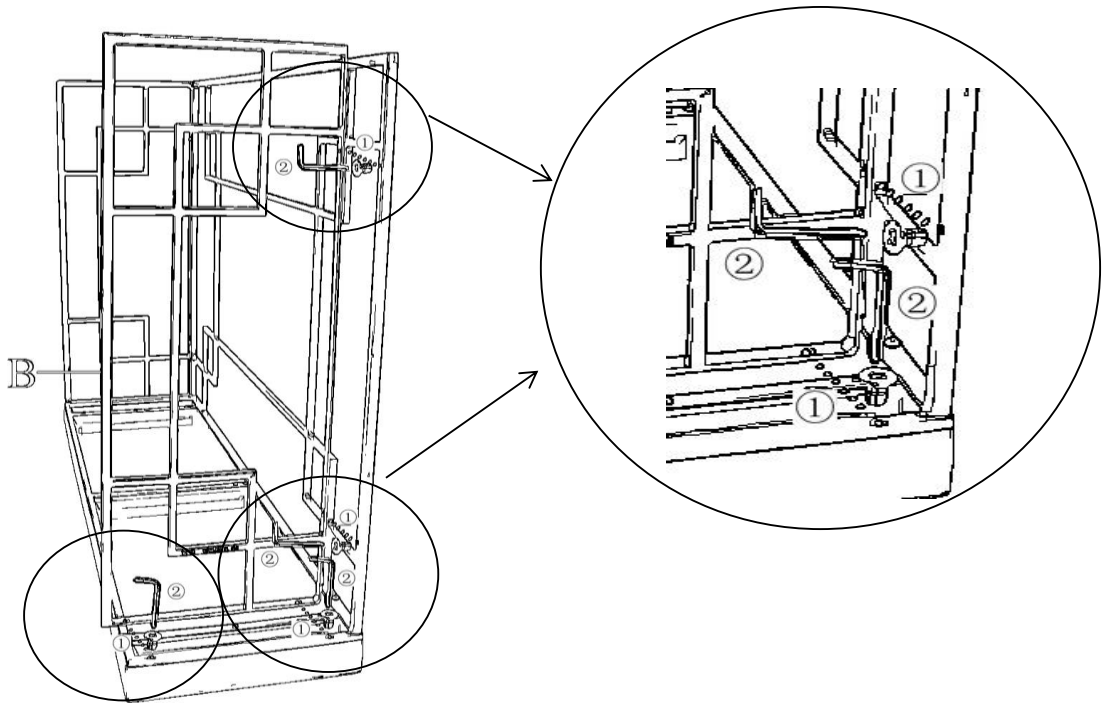
Place the Table Top(C) facedown onto a clean, non-marring surface. Align the mounting positions on the Table Top(C) and the Front Panel(A). Attached Front Panel(A) to Table Top(C) using Bolt(1), with Allen Wrench(2) as shown. Do not fully tighten the bolts.

Step 2



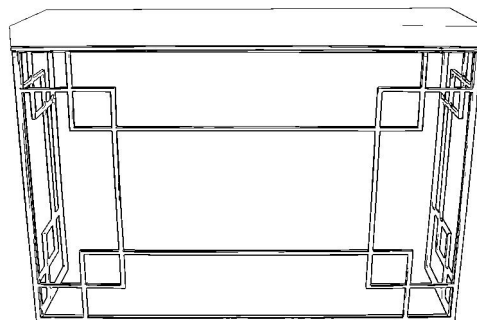
Place the Side Panel(B) to left end of Table Top(C) , Align the mounting positions on the Table Top(C) and the Side Panel(B). Attached Side Panel(B) to Table Top(C) and Front Panel(A) using Bolt(①), with Allen Wrench(②) as shown. Do not fully tighten the bolts.

Step 3



Place the Side Panel(B) to right end of Table Top(C) , Align the mounting positions on the Table Top(C) and the Side Panel(B). Attached Side Panel(B) to Table Top(C) and Front Panel(A) using Bolt(①), with Allen Wrench(②) as shown. Do not fully tighten the bolts.

Step 4



In a sequential manner, drive in and fully tighten all Bolts and joints, Thereafter, turn the Table right side up. Your Table is now ready to for use.

Care & Maintenance



- Furniture may scratch floors. We recommend using furniture pads to protect your floors.



- Do not put hot items directly on furniture surface.



- Do not clean furniture with harsh cleansers or polish.



- Do not place furniture under direct sunlight.



- Do not place furniture near heating or cooling vents.



- Do not write on furniture without a padded barrier to protect the surface.



- Do not place furniture outside . For indoor use only.



- Not for commercial use. For residential use only.



- Stains may be removed with mild soap solution and damp cloth.



- Children should not climb or jump on the furniture.



- Dust and pick-up spills using a clean, non-colored, lint-free cloth.