

### Features

- Includes faceplate with handle, shower arm with flange and showerhead.
- Single lever handle allows for simultaneous on/off activation and temperature setting.
- Integrated push-button diverter.
- Coordinates with Refinia faucets, accessories, and showering components to complete your bathroom.
- Includes single-function 2.0 gpm (7.6 l/min) showerhead with Katalyst® air-induction technology.
- MasterClean™ sprayface features an easy-to-clean surface that withstands mineral buildup.
- Pressure-balancing diaphragm technology maintains outlet temperature within  $\pm 3^{\circ}\text{F}$  during water pressure fluctuations.

### Material

- Premium material construction with metal handle ensures reliability and durability.
- KOHLER finishes resist corrosion and tarnishing.

### Installation

- Trim only; requires valve to complete installation (sold separately).

### Required Products/Accessories

K-11748 Series Rite-Temp® Valves

### Recommended Products/Accessories

K-23723 Faucet cleaner

### Optional Products/Accessories

1073881  
1156950  
88526



### Codes/Standards

ASME A112.18.1/CSA B125.1  
DOE - Energy Policy Act 1992  
EPA WaterSense®



### KOHLER® Faucet Lifetime Limited Warranty

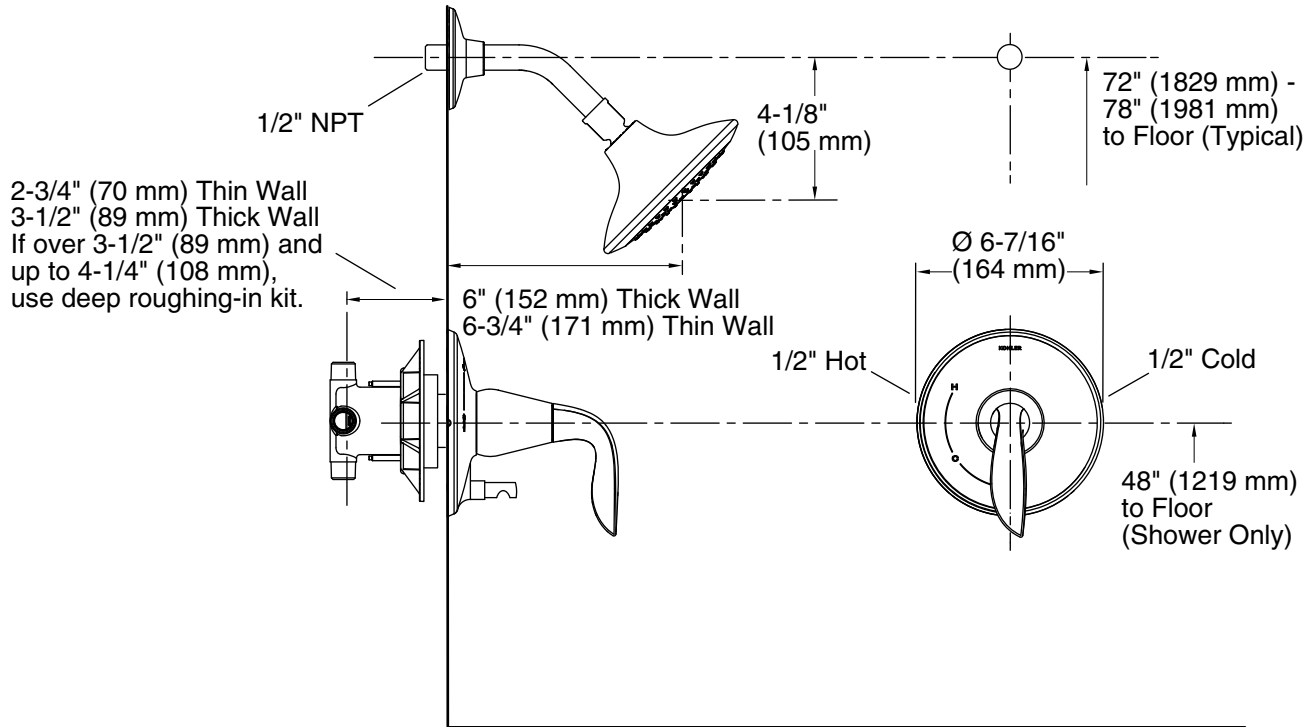
See website for detailed warranty information.

### Available Colors/Finishes

*Color tiles intended for reference only.*

| Color | Code | Description |
|-------|------|-------------|
|-------|------|-------------|

|   |    |                         |
|---|----|-------------------------|
|  | CP | Polished Chrome         |
|  | BN | Vibrant® Brushed Nickel |



### Technical Information

All product dimensions are nominal.

Drain included: No

### Showerhead/Body Spray:

Rated maximum flow: 2 gal/min (7.6 l/min)

### Notes

Install this product according to the installation guide.

**NOTICE:** Risk of product damage. Long screws, for installing trim, can damage the K-2971-KS valve. Consult the trim installation guide to verify if the thin wall installation kit (88526) is needed.

Avoid cross-flow conditions. Do not install shut-off device on either valve outlet.

Install straight pipe or tube drop of 7" (178 mm) to 18" (457 mm) with single elbow between valve and wall-mount spout.