

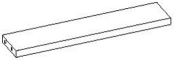

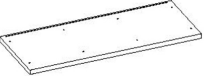
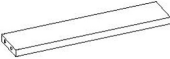

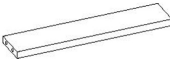

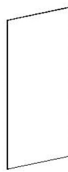


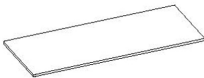
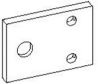
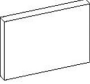









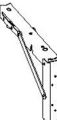


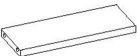




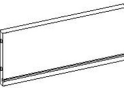
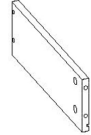
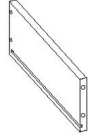
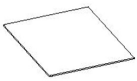
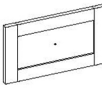

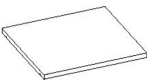
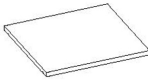













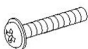


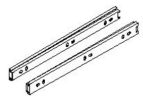
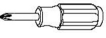
Components

①  x1	②  x1	③  x1	④  x1
⑤  x1	⑥  x1	⑦  x1	⑧  x1
⑨  x1	⑩  x1	⑪  x1	⑫  x1
⑬  x1	⑭  x1	⑮  x1	⑯  x1
⑰  x1	⑱  x1	⑲  x1	⑳  x1

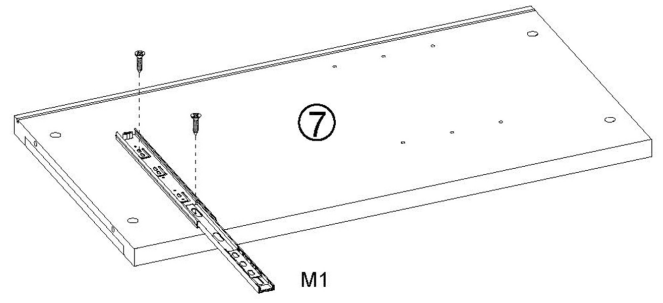
Components

⑳  x1	㉒  x1	㉓  x1	㉔  x1
㉕  x1	㉖  x1	㉗  x2	㉘  x2
㉙  x2	㉚  x2	㉛  x2	㉜  x2
㉝  x3	㉞  x3	㉟  x3	㊱  x3
㊲  x3	㊳  x2	㊴  x1	㊵  x1

PACKAGECONTENT

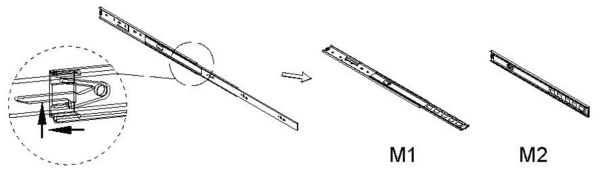
 <p>41</p> <p>x1</p>	 <p>42</p> <p>x2</p>	 <p>43</p> <p>x2</p>
<p>A</p>  <p>80pcs</p>	<p>B</p>  <p>90pcs</p>	<p>C</p>  <p>5pcs</p>
<p>D</p>  <p>4*16</p> <p>57pc</p>	<p>E</p>  <p>4*20</p> <p>10pcs</p>	<p>F</p>  <p>22pcs</p>
<p>G</p>  <p>9pcs</p>	<p>H</p>  <p>5pcs</p>	<p>J</p>  <p>M4*16</p> <p>3pcs</p>
<p>K</p>  <p>5pcs</p>	<p>L</p>  <p>4pcs</p>	<p>M</p>  <p>3pcs</p>
<p>Z</p>  <p>1pc</p>		

1





7

M1

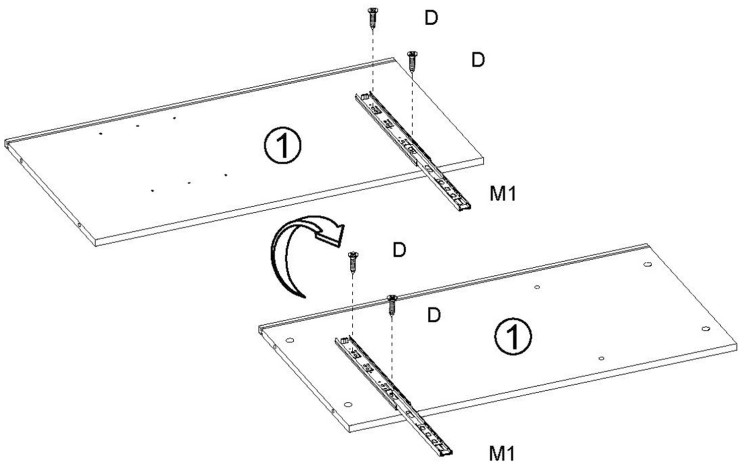


M1

M2

D		x2
M		x1

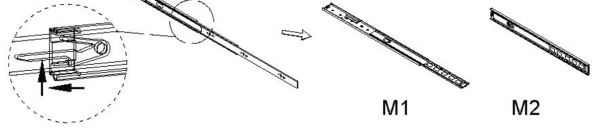
2



1



1

M1

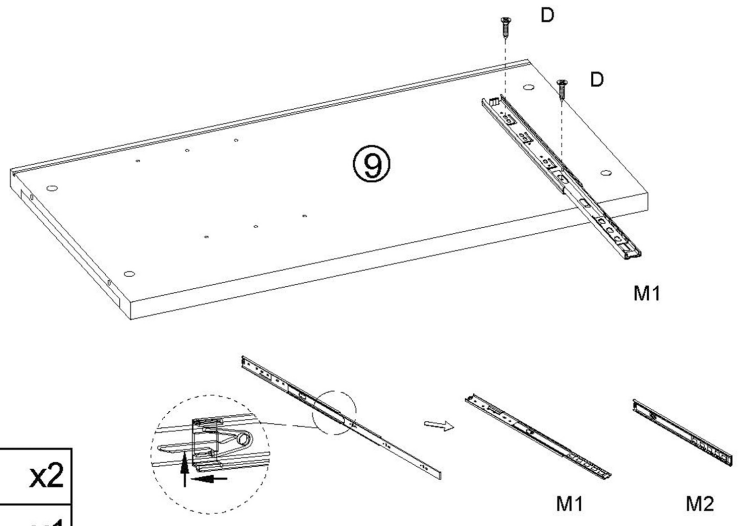




M1

M2

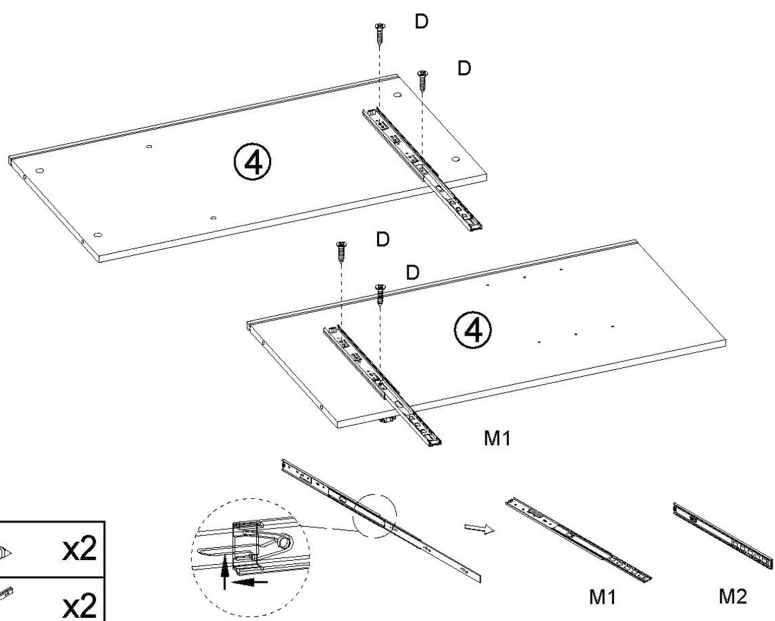
D		x4
M		x2



3



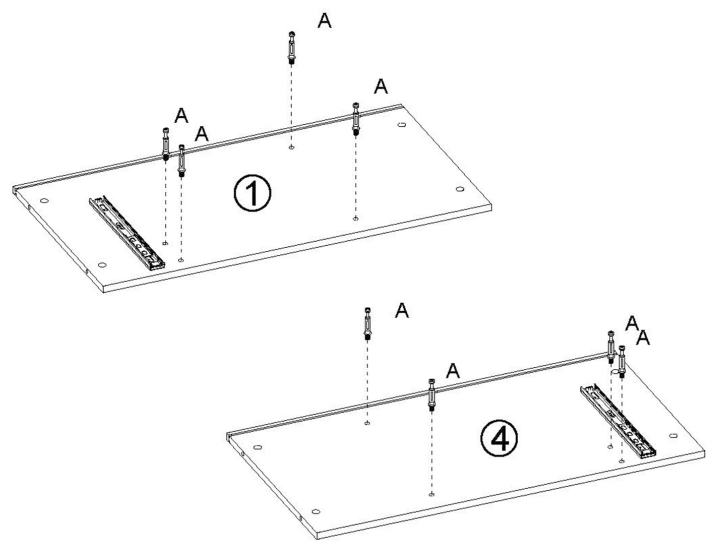
D		x2
M		x1


4



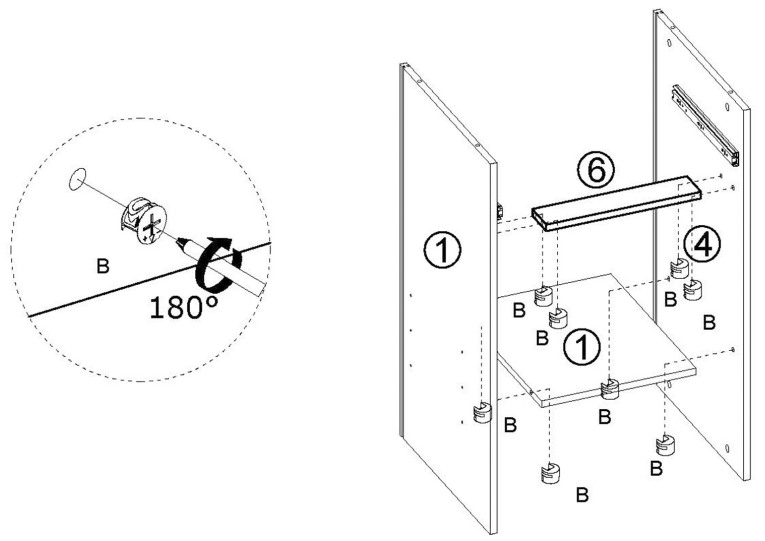
D		x2
M		x2

5



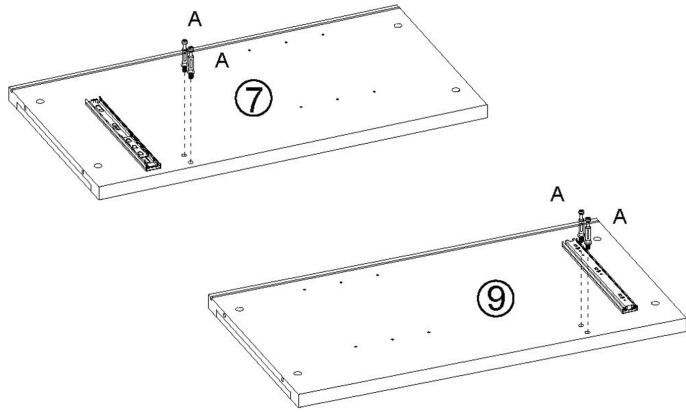
A		x8
---	---	----

6



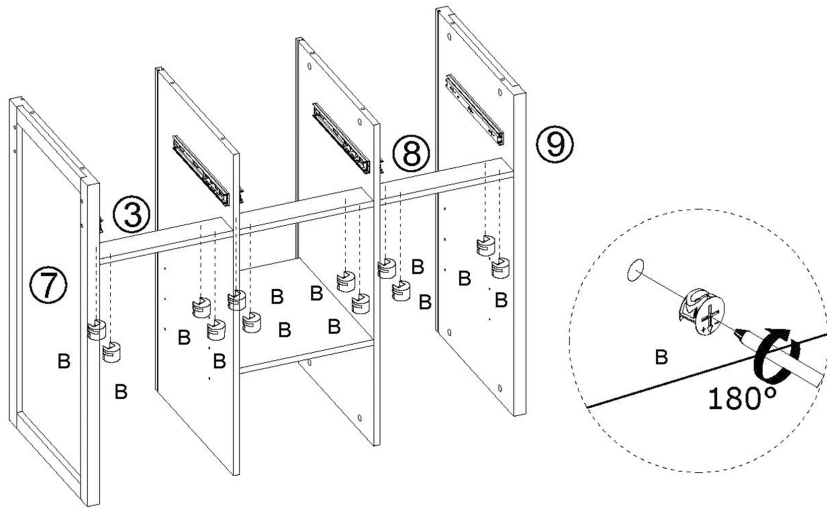
B		x8
---	---	----

7



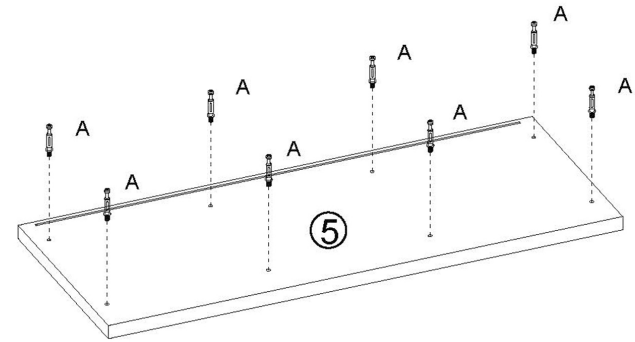
A  x4

8



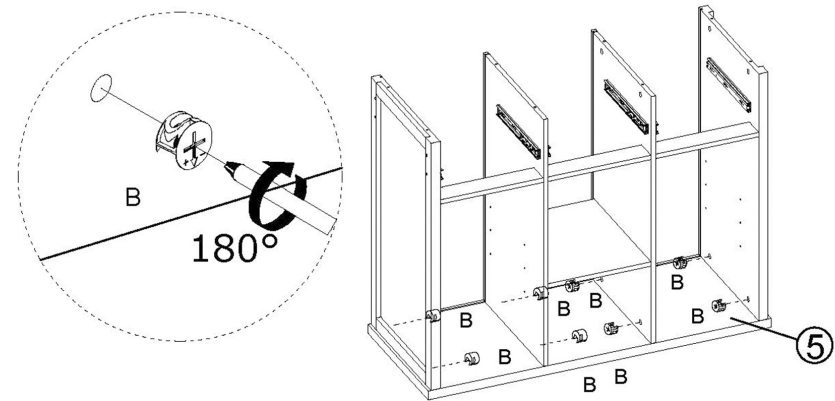
B  x8

9



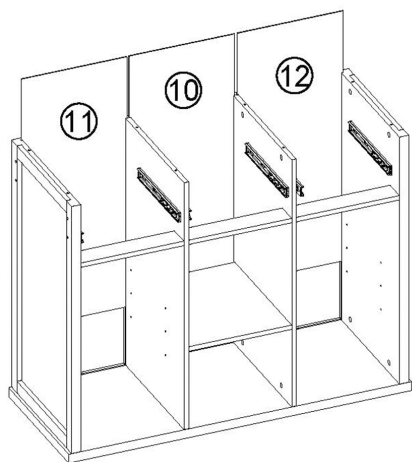
A  x8

10

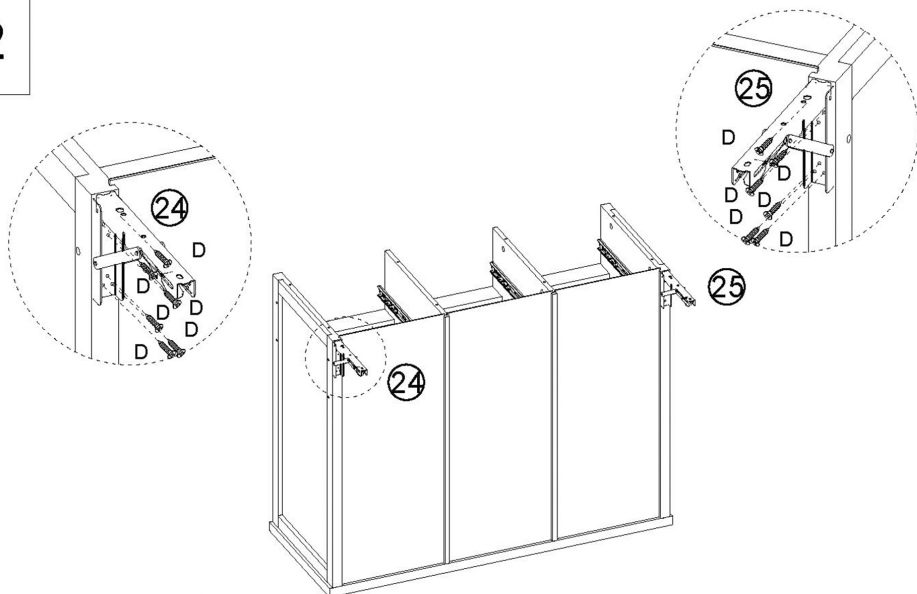


B  x8

11

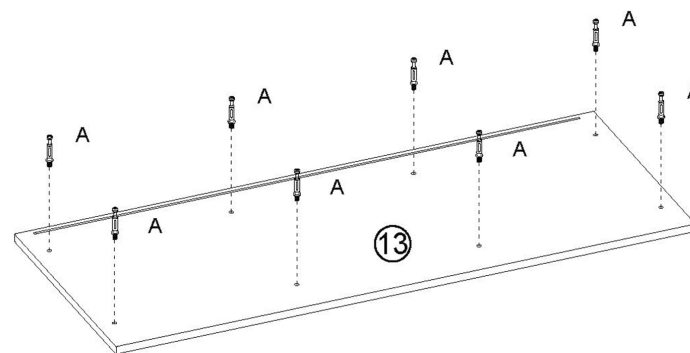


12



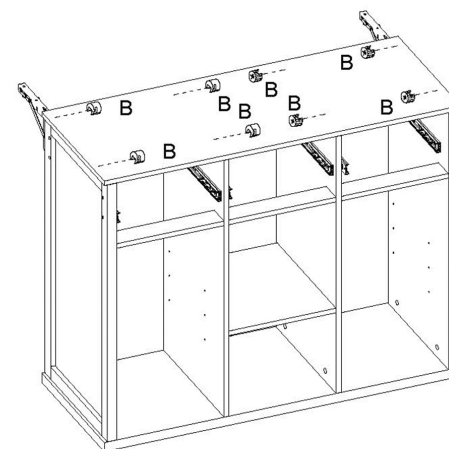
D  x12

13



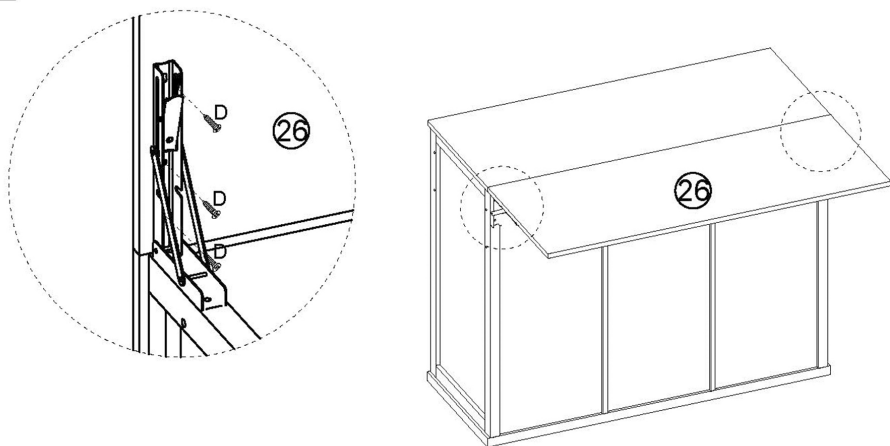
A  x8

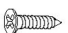
14



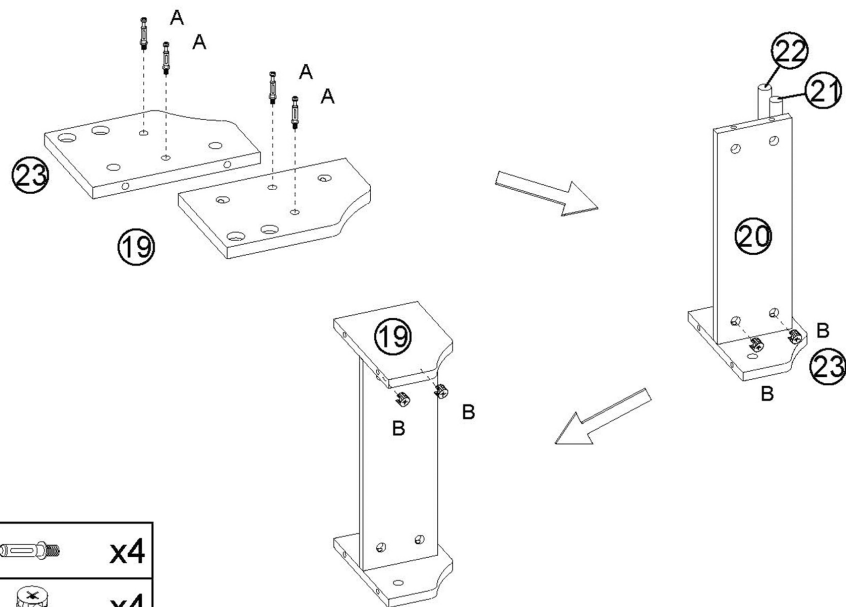
B  x8

15



D  x6

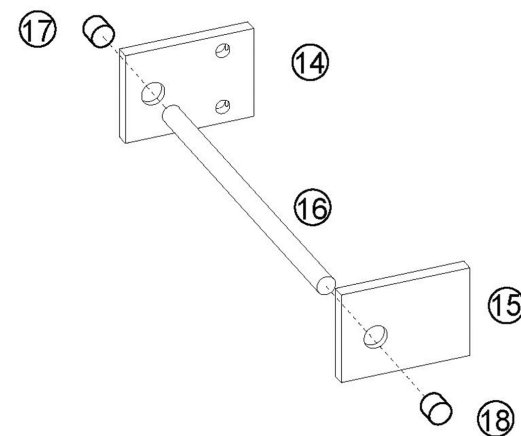
16



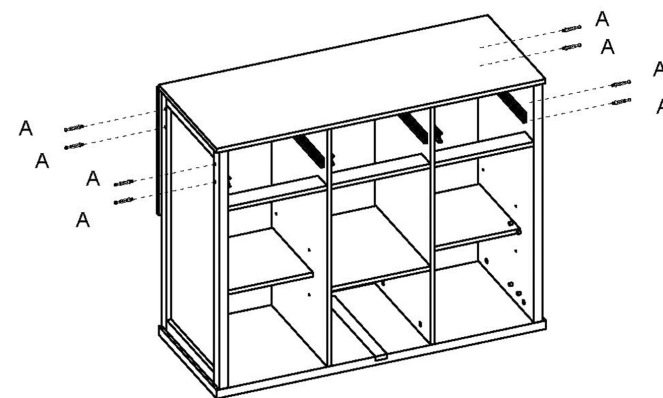
A  x4


B  x4

17

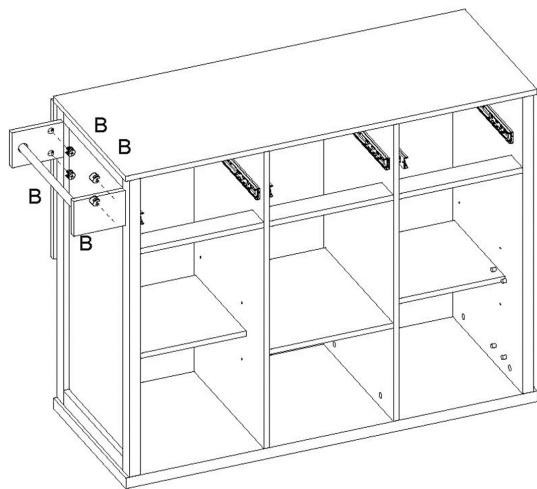
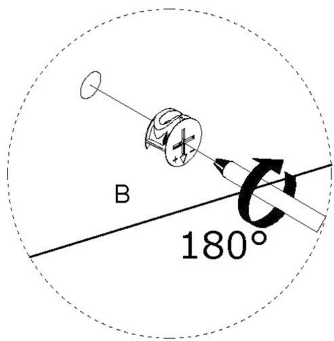


18



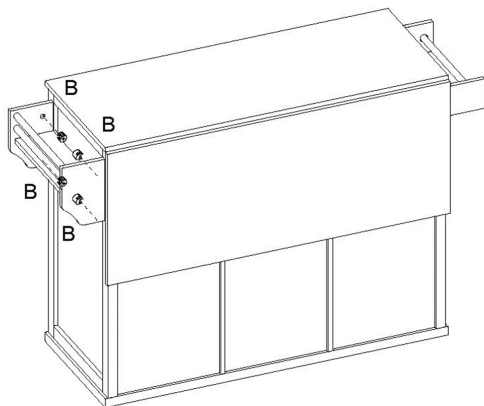
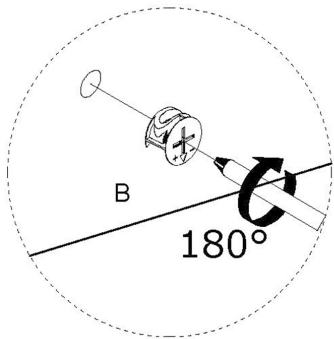
A  x8

19



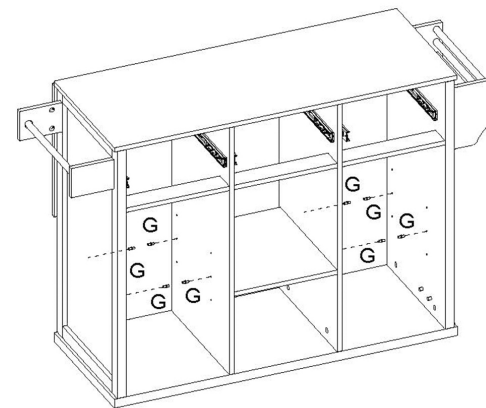
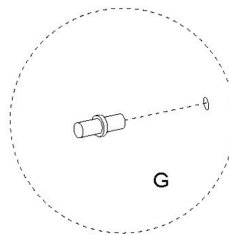
B  x4

20



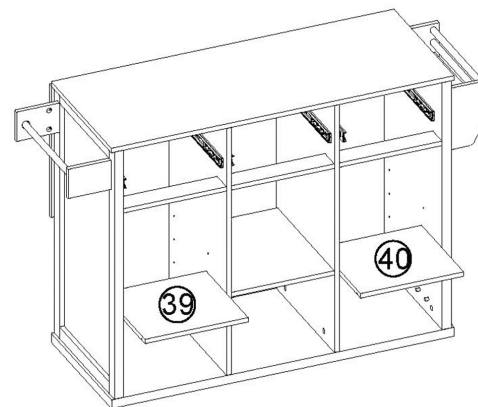
B  x4

21

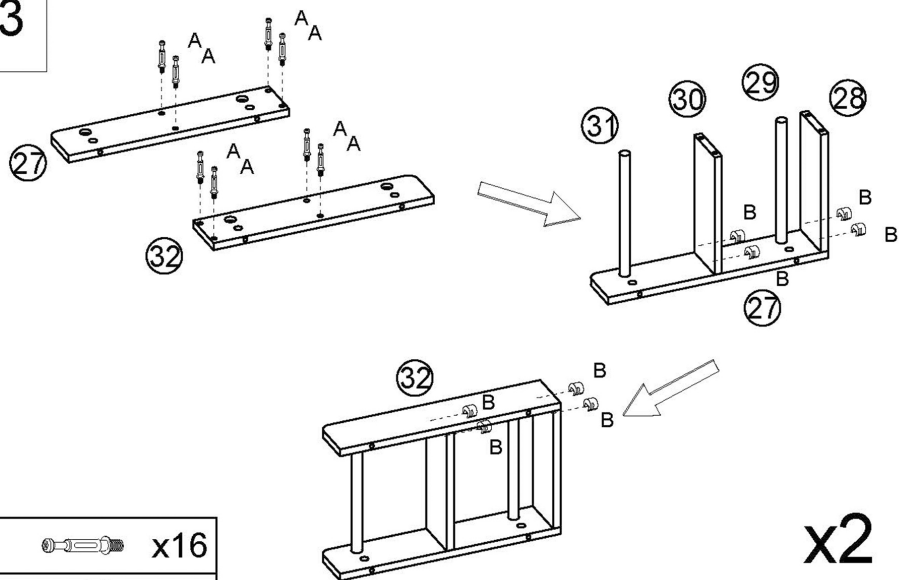




G  x8

22



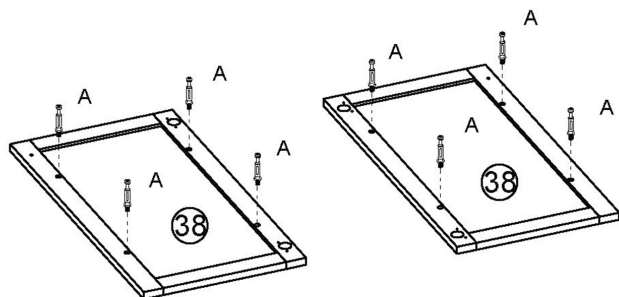
23

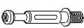


A		x16
B		x16

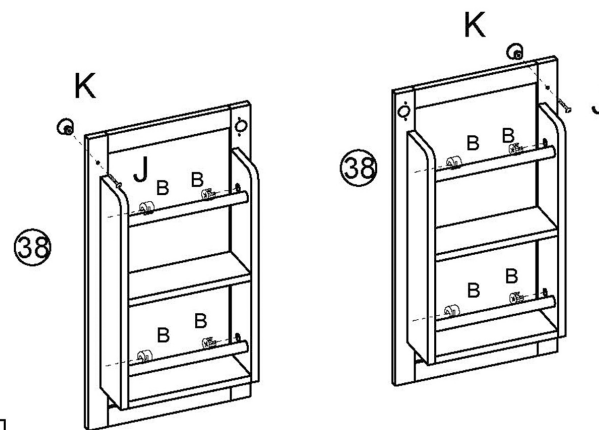
x2




24



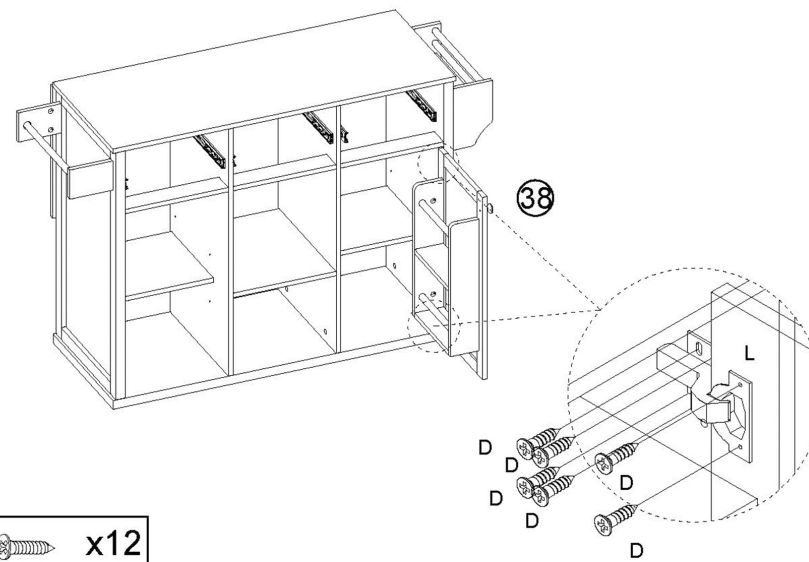
A		x8
---	---	----

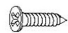

25



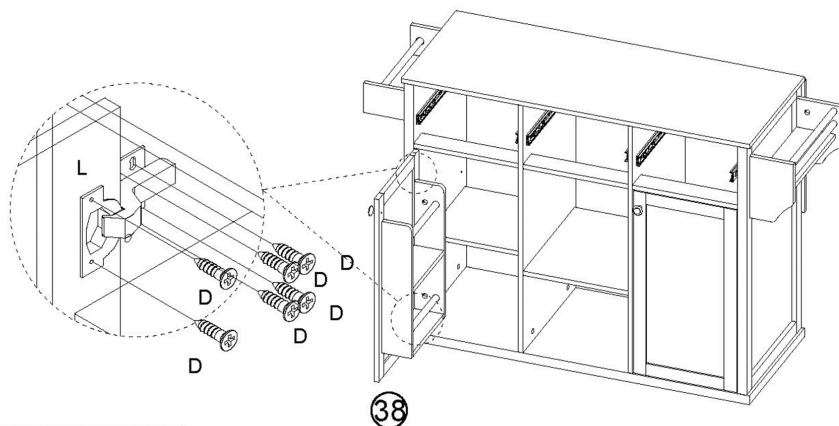
B		x8
J		x2
K		x2



26



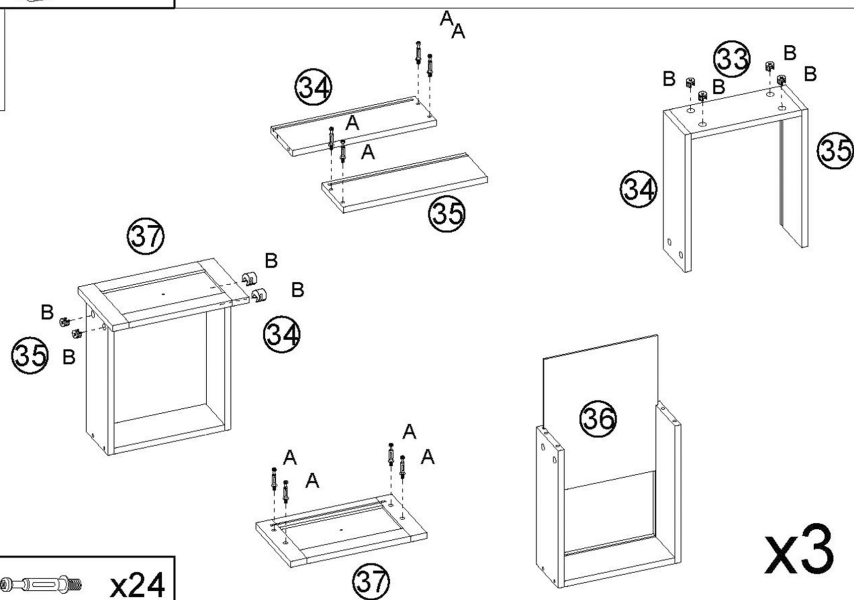
D		x12
L		x2



27



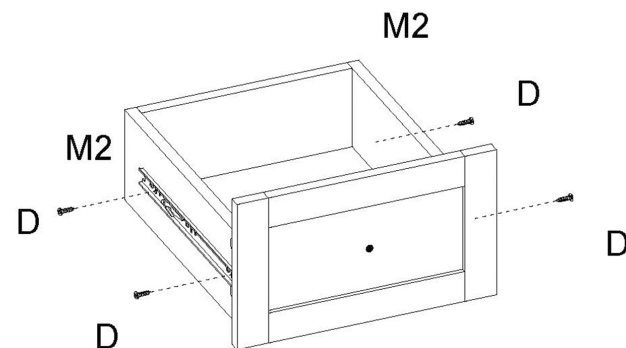
D	 x12
L	 x2



28



A	 x24
B	 x24

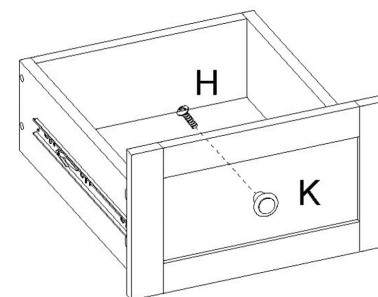
29





D	 x12
M2	 x6

x3

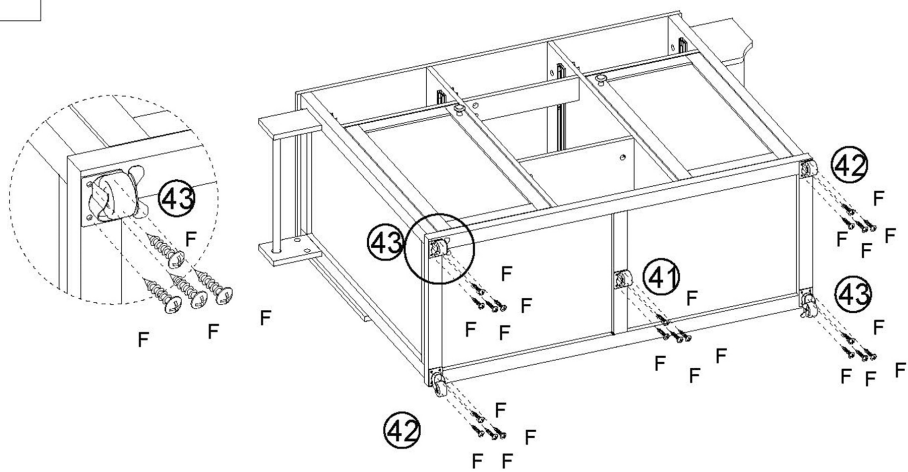
30



H	 x3
K	 x3

x3

31



F  x20

32



33

