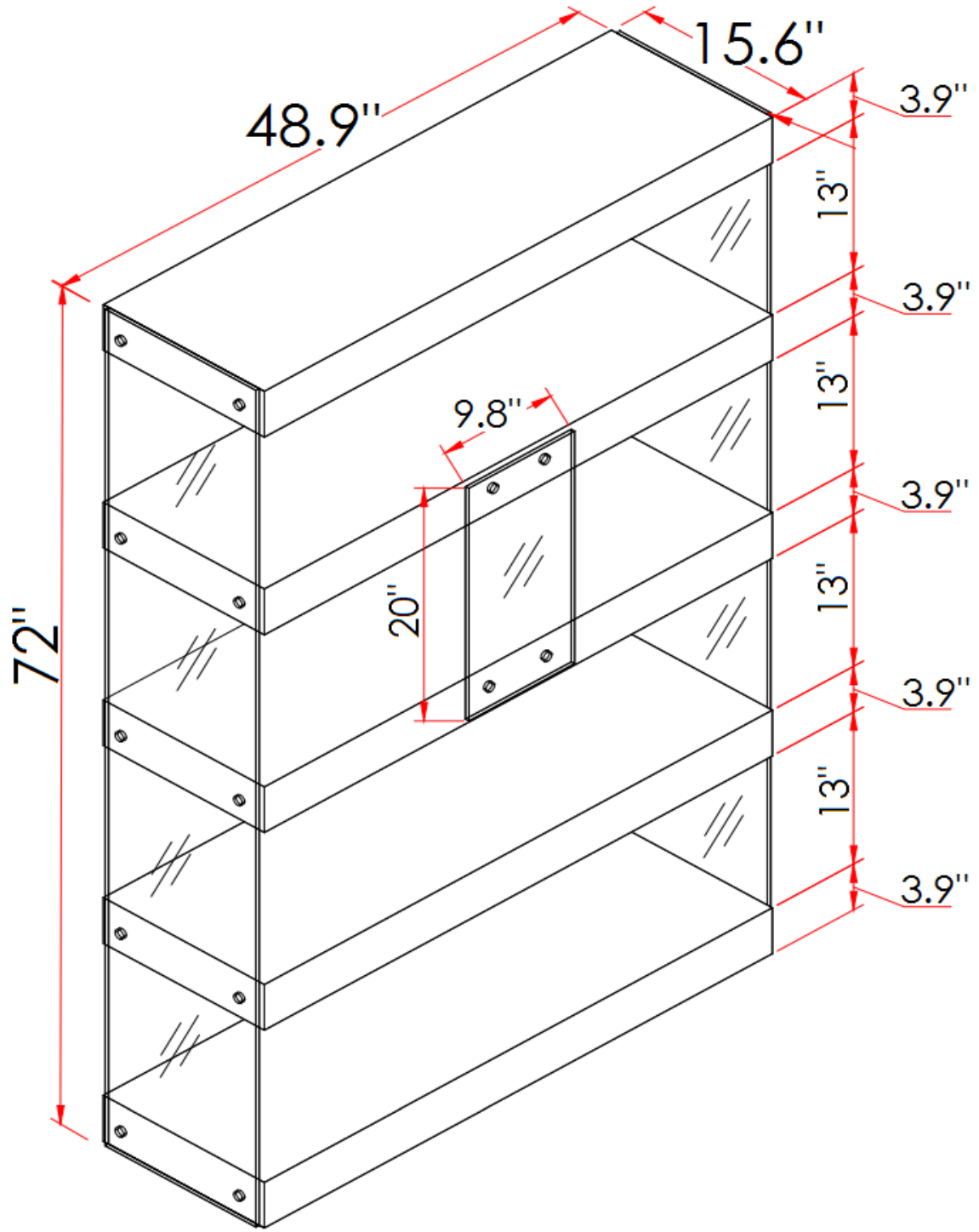
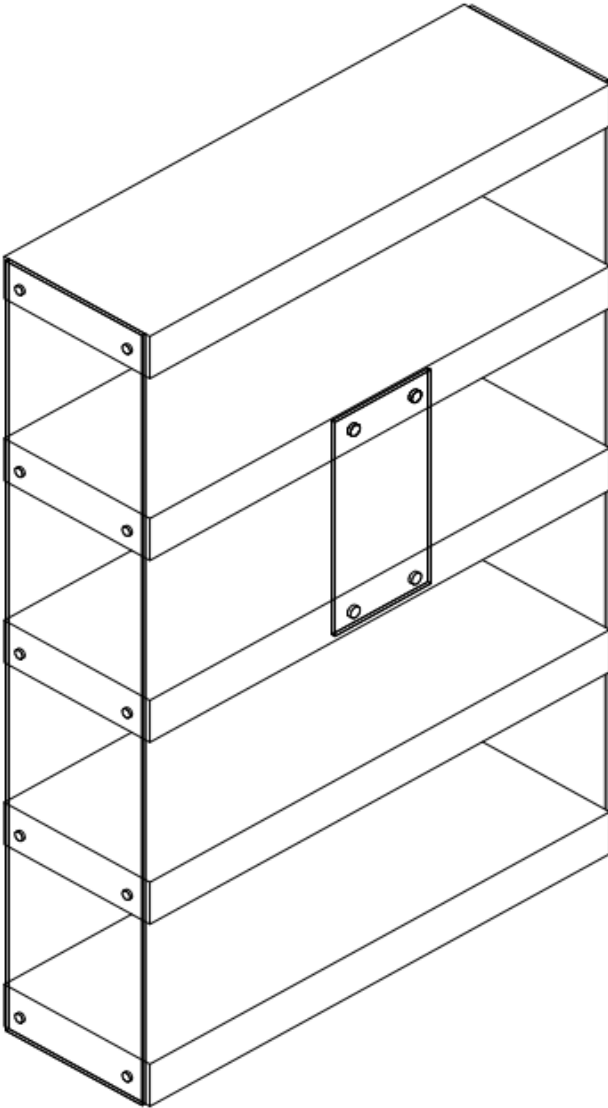


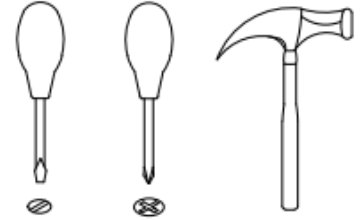
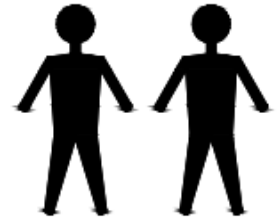


# Detailed Dimensions



# Assembly Instructions





A x24  
Spec: Ø8\*44



B x24  
Spec: Ø25\*8



C x24  
Spec: Ø10\*18



D x20  
Spec: Ø12\*Ø10\*11



E x4  
Spec: Ø12\*Ø10\*7



F x1  
Spec: 5#

