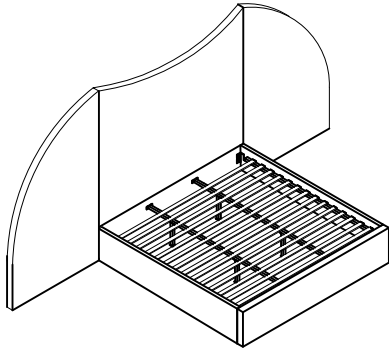


ASSEMBLY INSTRUCTIONS

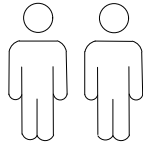
BED - KING



+ Do Not Use Power Tools



+ Suggested Adults



NOTE: For questions about parts or assembly please email support@meridianfurnitureusa.com or call us at 718-758-4455.

- 1 Read instructions cover to cover.
- 2 Save all packaging until assembly is completed.

1 IMPORTANT SAFETY INFORMATION

Do not assemble the product if any of the following parts arrived damaged:

- Part #③ -Side Rails
- Part #④ -Slats joint
- Part #⑤ -Center Support Bar
- Part #⑥ -Support Legs

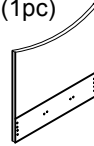
2 IMPORTANT ASSEMBLY INFORMATION

Assembly Step ② Ensure the side rail bracket is fully hooked onto bolt **A** loosely threaded with both washers on the **OUTSIDE** of the bracket first, then proceed to fully tightening all 4 corners.

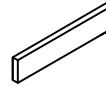
*Slats come packed in the bottom of headboard carton.

+ Parts Included

① Head Board (1pc)



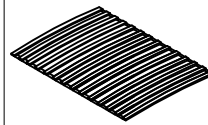
② Foot Board (1pc)



③ Side Rails (2pcs)



④ Slats joint (1set=13pcs)



⑤ Center Support Bar (2pcs)



⑥ Support Legs (4pcs)



*Slats come packed in the bottom of headboard carton.

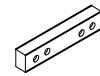
⑦ Left wing (1pc)



⑧ Right wing (1pc)



⑨ Connector (4pcs)



+ Hardware Included

A Bolt M8*30mm (32pcs)



B Flat Washer $\phi 22$ (16pcs)



C Bolt M8*45mm (16pcs)



D Spring Washer (16pcs)



E Flat Washer $\phi 20$ (32pcs)



F M8 Allen Key (1pc)



G Nut M8*13mm (8pcs)



H Spanner (1pc)



ASSEMBLY INSTRUCTIONS

BED - KING

