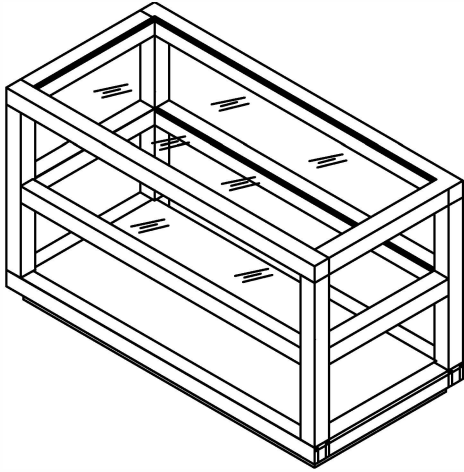


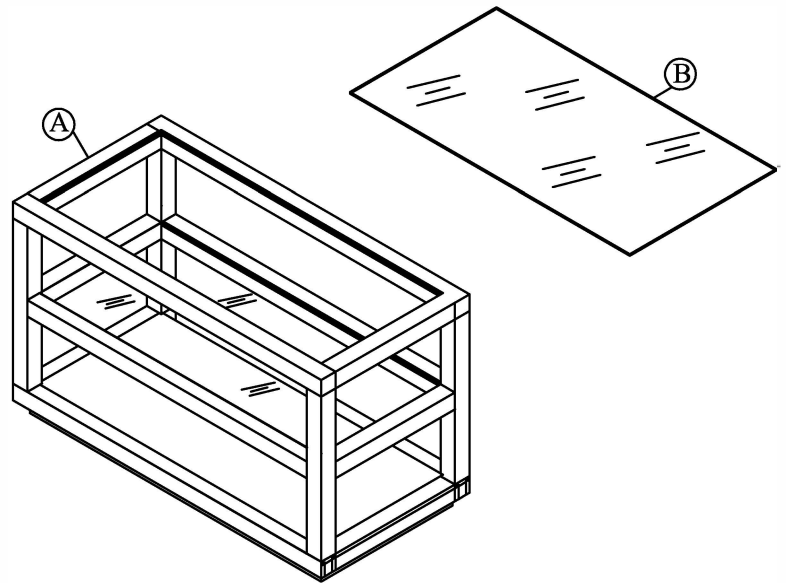
CONSOLE TABLE ASSEMBLY INSTRUCTIONS

PARTS AND HARDWARE PACKAGING DETAIL

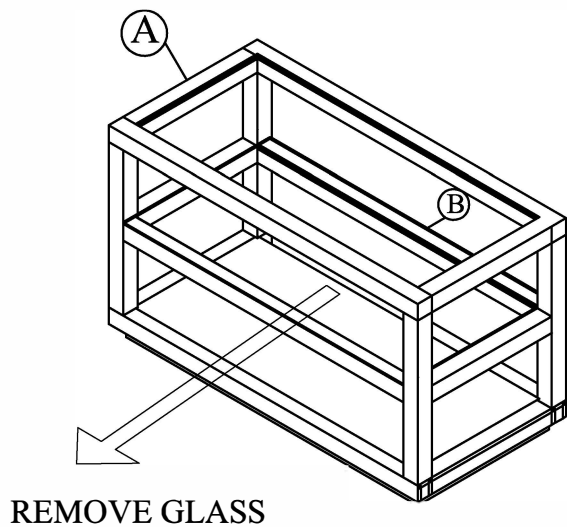
CONSOLE TABLE
ASSEMBLED



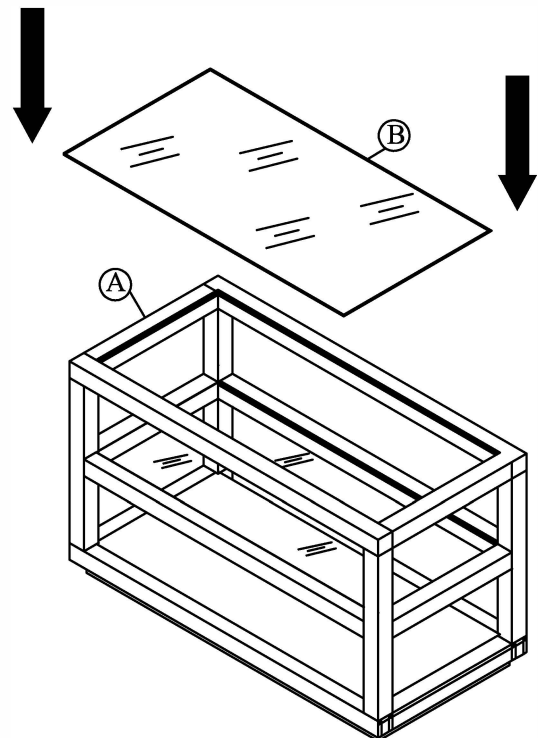
PACKING CONFIGURATION



STEP 1: CAREFULLY CUT THE STRAPS SECURING
THE GLASS PANELS TO THE CONSOLE TABLE.



REMOVE GLASS



STEP 2: WITH THE HELP OF A SECOND
PERSON, POSITION THE TWO GLASS PANELS
ONTO THE TOP OF THE CONSOLE TABLE
AND THE SHELF RESPECTIVELY.