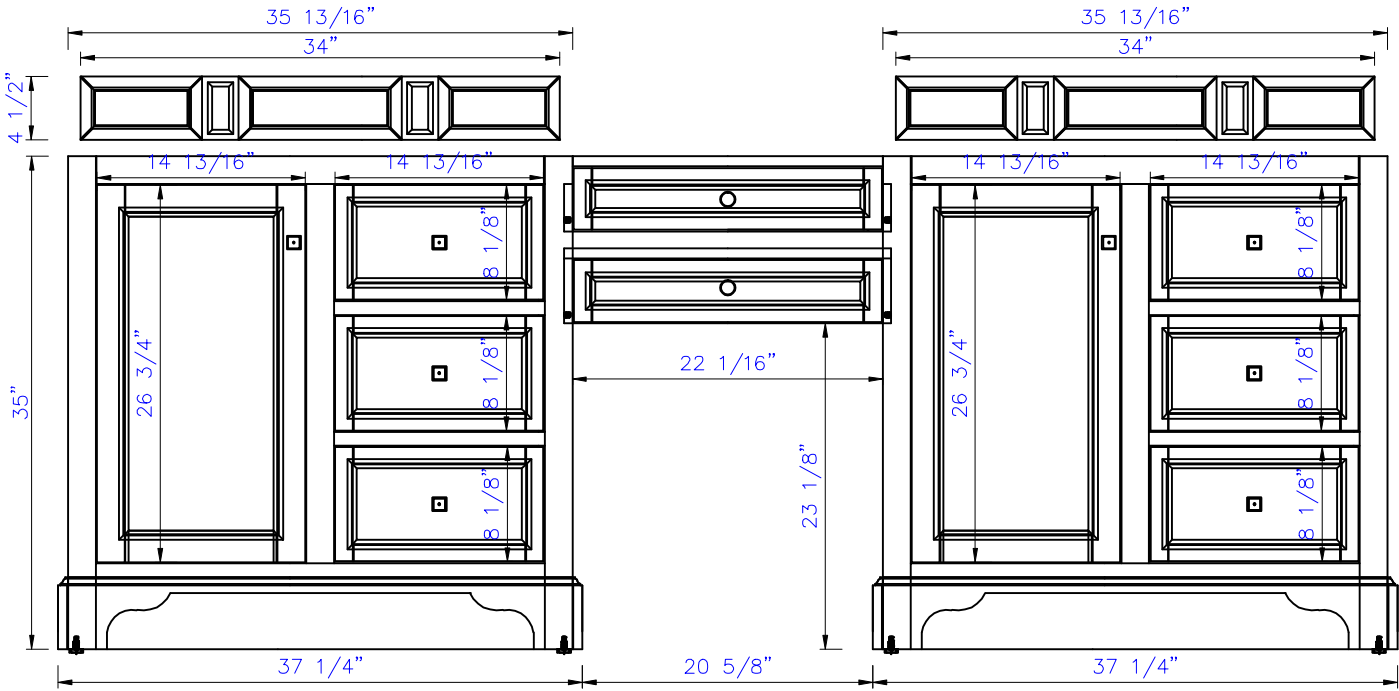
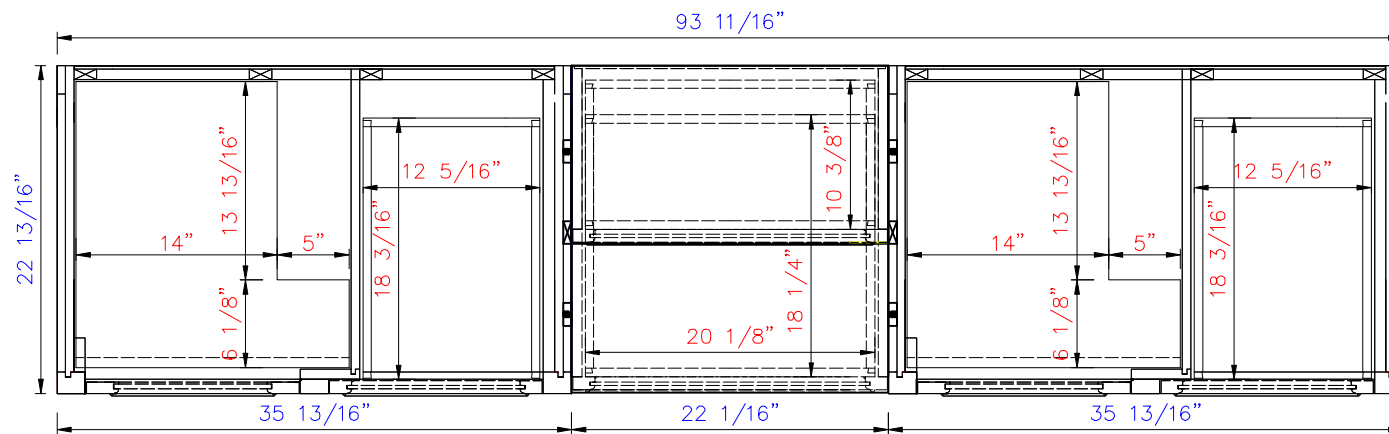


Drawer Unit
 Diagrams with Dimensions
 page 01 of 03



NOTE ONE: Countertops are not shown in these diagrams .(Cabinet Only)
 NOTE TWO: Wood Backsplash (Shown) is designed for the molding detail to align with sinks in James Martin's Optional Countertops.
 Customers* own countertops and sinks may align differently.

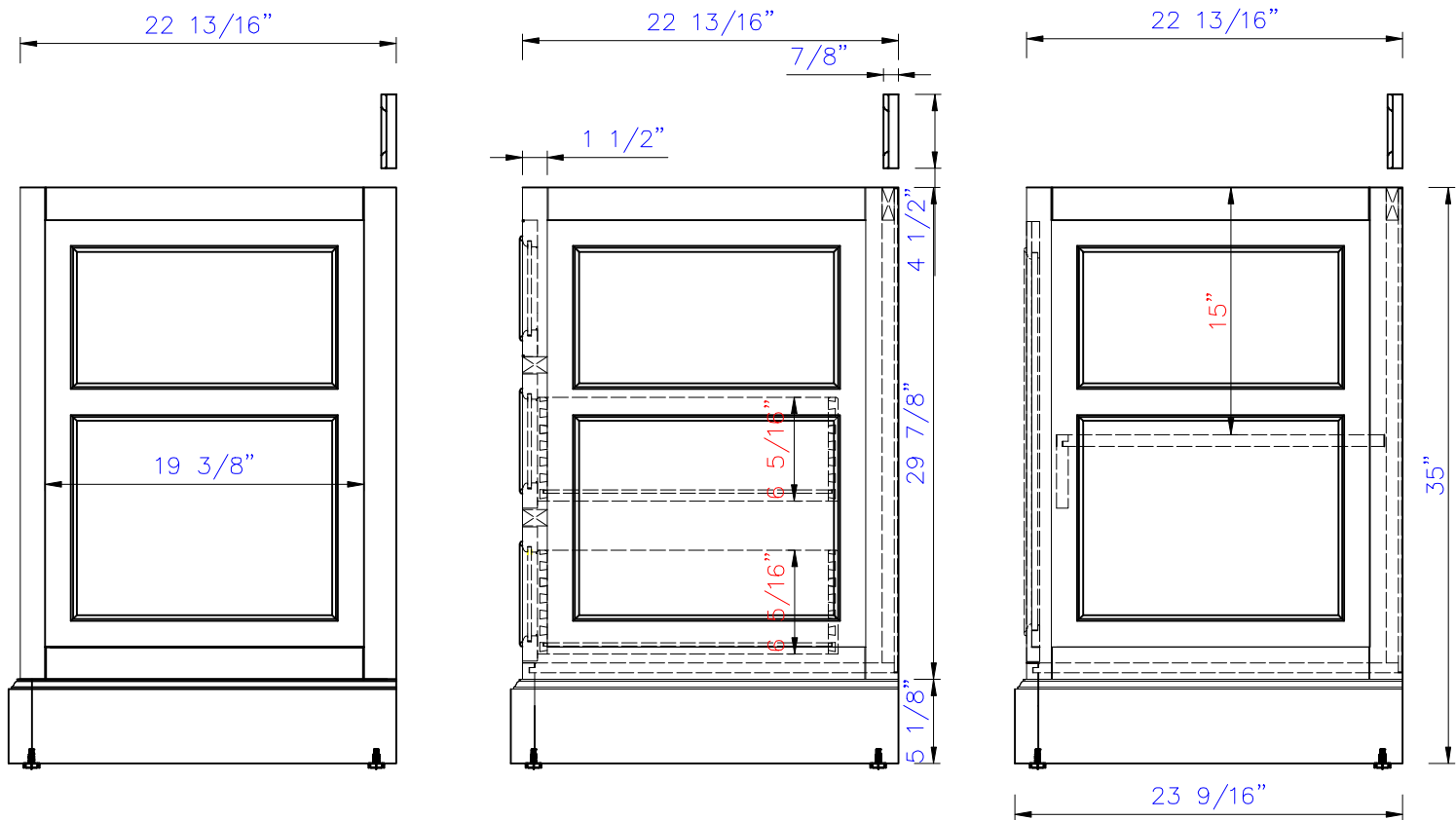
Drawer Unit
Diagrams with Dimensions
page 02 of 03



NOTE ONE: Countertops are not shown in these diagrams .(Cabinet Only)

NOTE TWO: Internal Shelves (Shown) are designed to align with sinks in James Martin's Optional Countertops. Customers' own countertops and sinks may align differently, and modification may be required.

Drawer Unit
 Diagrams with Dimensions
 page 03 of 03

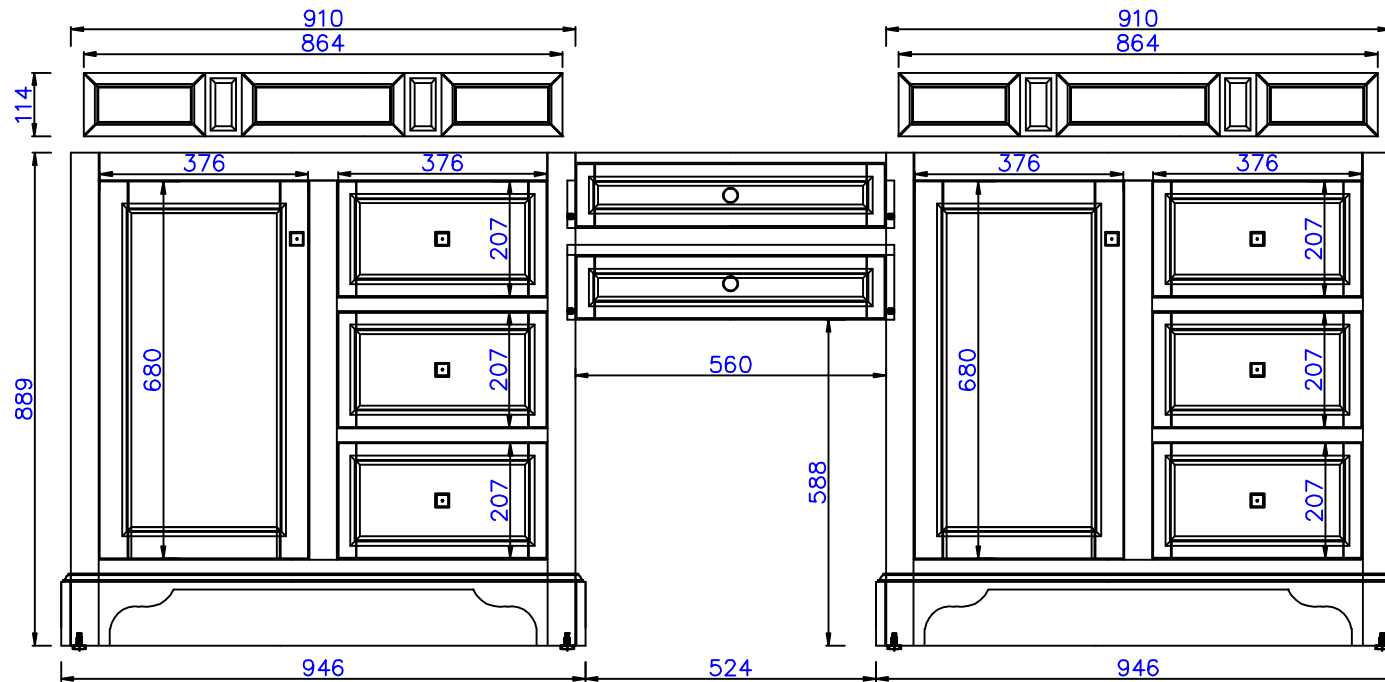


NOTE ONE: Countertops are not shown in these diagrams .(Cabinet Only)
 NOTE TWO: Wood Backsplash (Shown) is designed for the molding detail to align with sinks in James Martin's Optional Countertops.

Customers' own countertops and sinks may align differently.

Drawer Unit

Diagrams with Dimensions
page 01 of 03

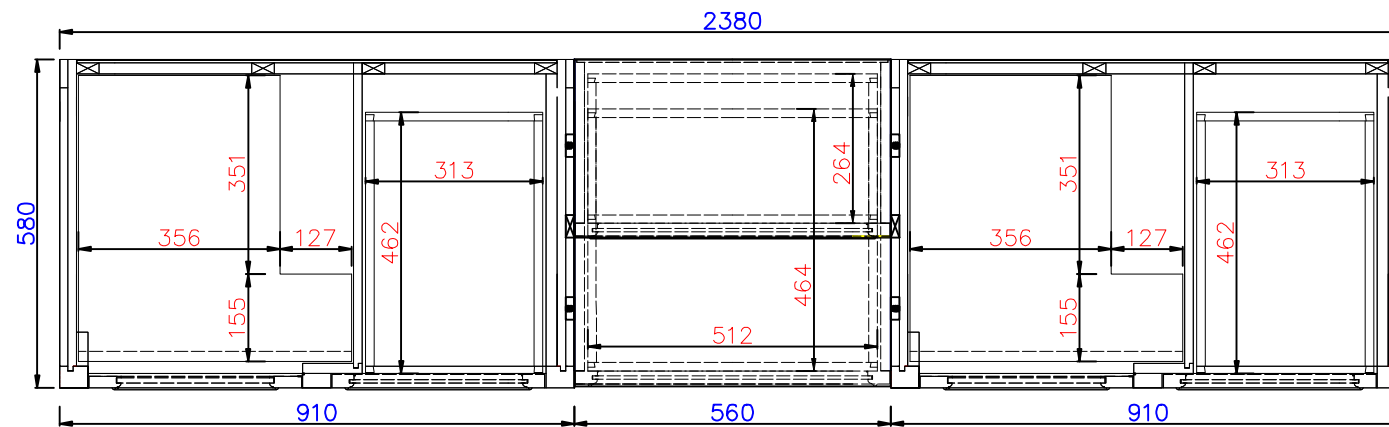


NOTE ONE: Countertops are not shown in these diagrams .(Cabinet Only)

NOTE TWO: Wood Backsplash (Shown) is designed for the molding detail to align with sinks in James Martin's Optional Countertops.

Customers' own countertops and sinks may align differently.

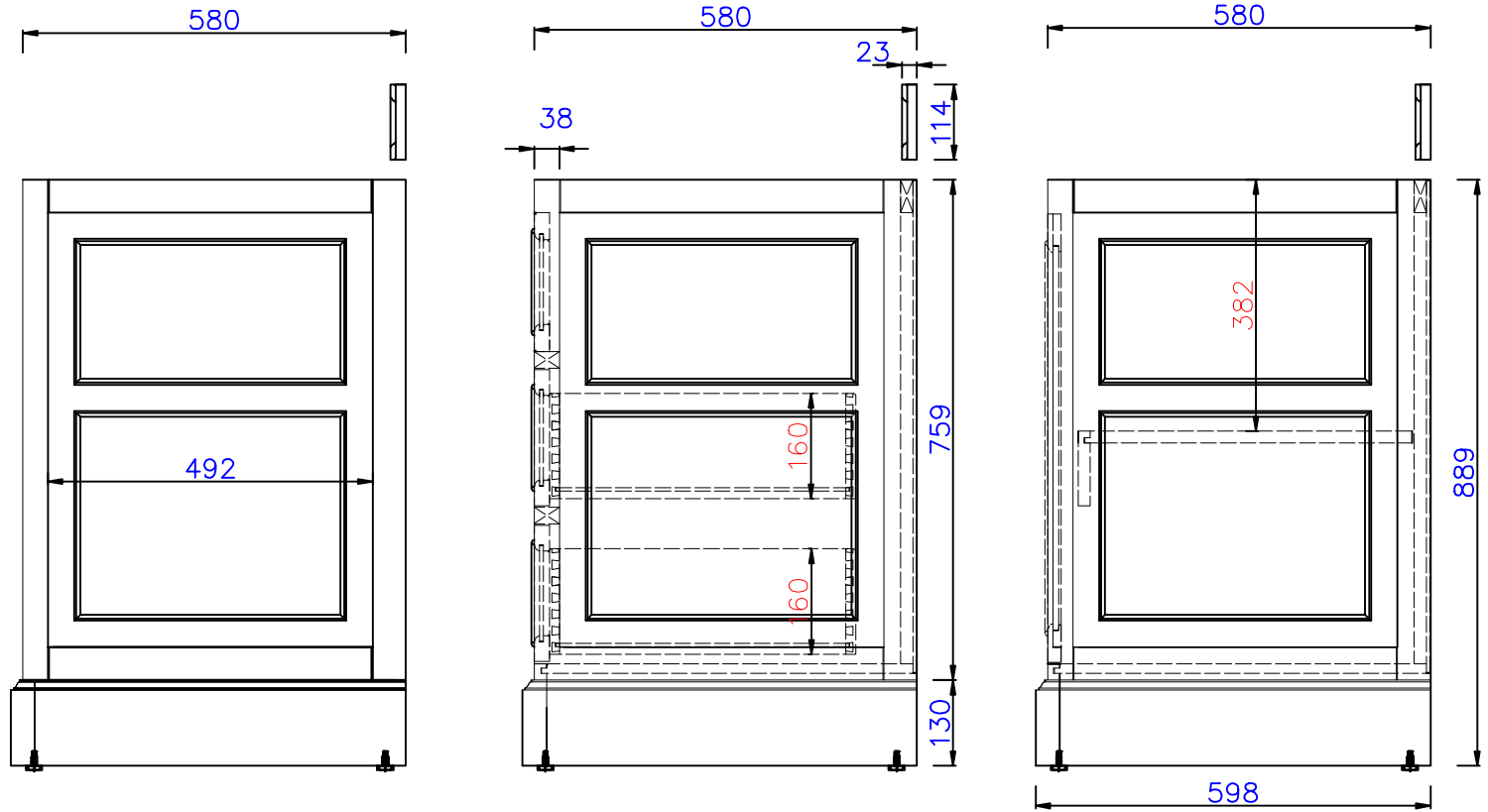
Drawer Unit
Diagrams with Dimensions
page 02 of 03



NOTE ONE: Countertops are not shown in these diagrams .(Cabinet Only)

NOTE TWO: Internal Shelves (Shown) are designed to align with sinks in James Martin's Optional Countertops. Customers' own countertops and sinks may align differently, and modification may be required.

Drawer Unit
 Diagrams with Dimensions
 page 03 of 03

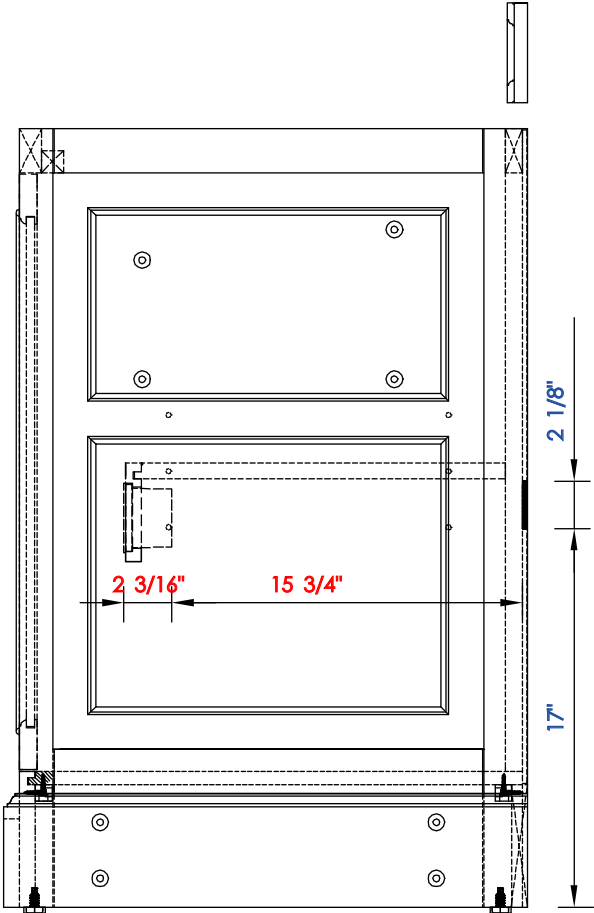
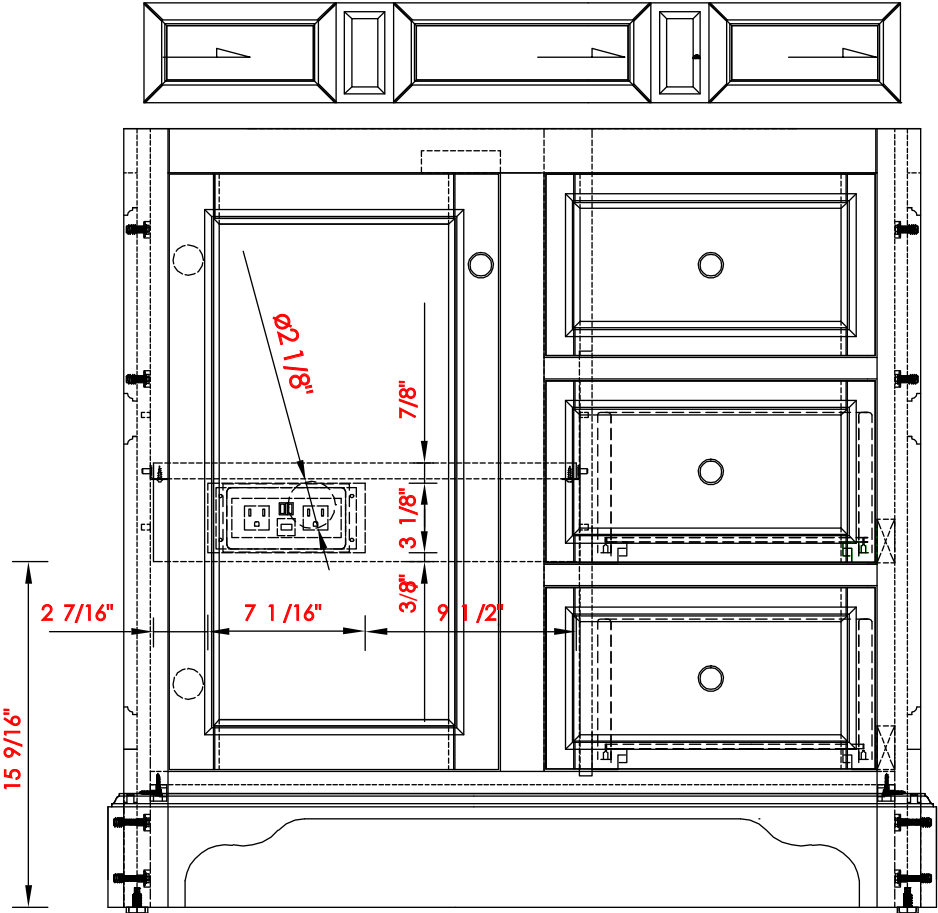


NOTE ONE: Countertops are not shown in these diagrams .(Cabinet Only)
 NOTE TWO: Wood Backsplash (Shown) is designed for the molding detail to align with sinks in James Martin's Optional Countertops.

Customers' own countertops and sinks may align differently.

36" Cabinet

Diagrams with Dimensions
page 01 of 01



914mm Cabinet

Diagrams with Dimensions
page 01 of 01

