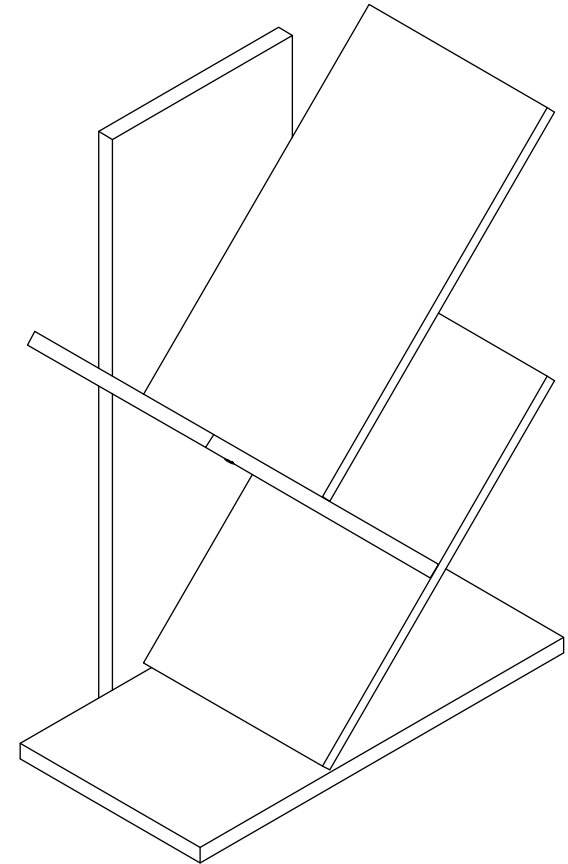
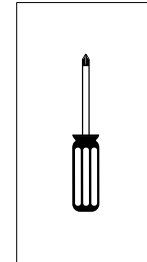
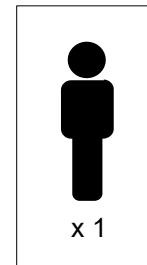
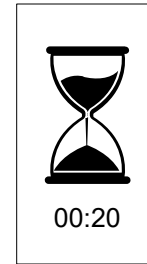


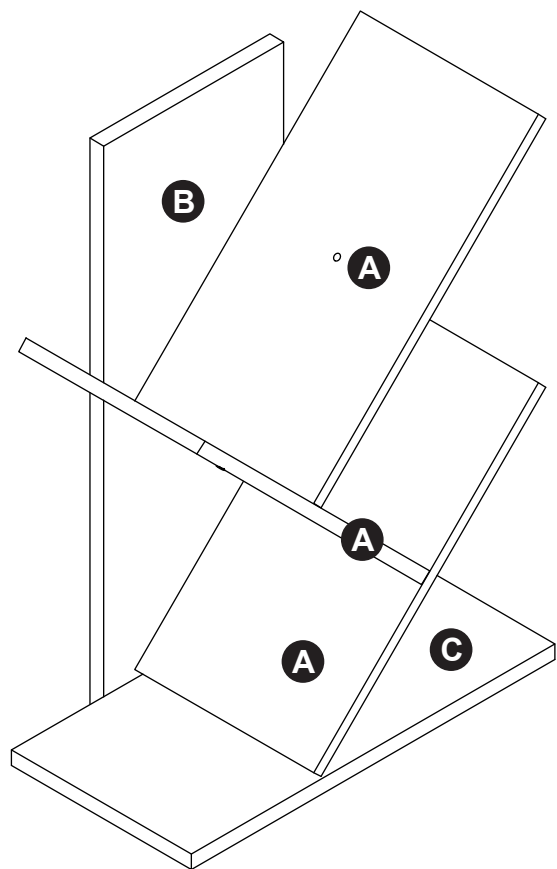
**Furinno®**  
Fits Space, Fits Budget



**MODEL: 23221**

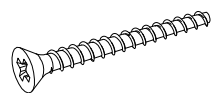
 [support@furinno.com](mailto:support@furinno.com)

 [www.furinno.com](http://www.furinno.com)



1

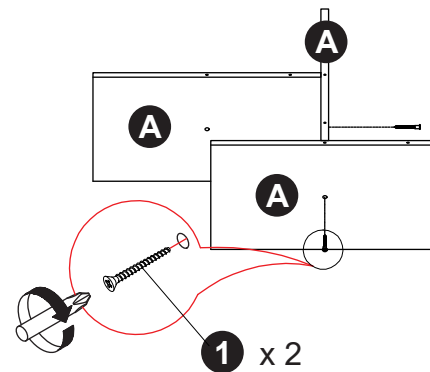
x 9



M4 x 32mm

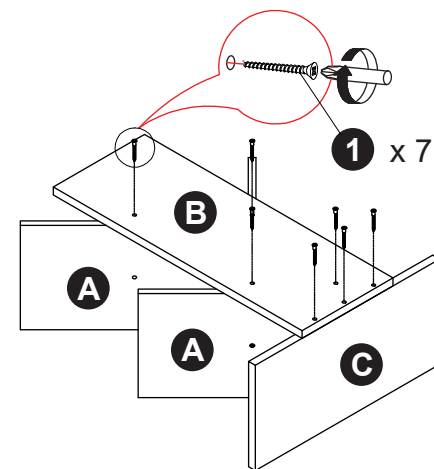
2

1



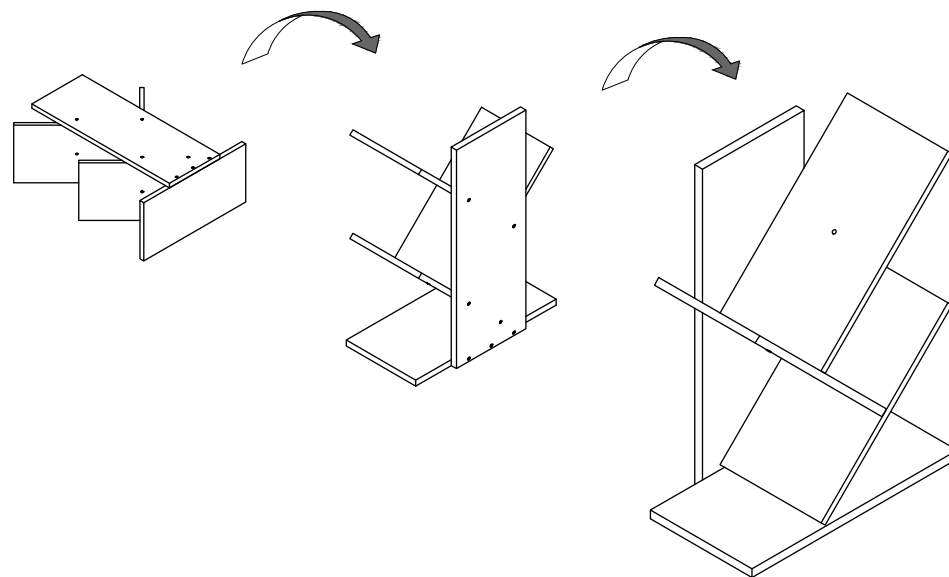
1 x 2

2



1 x 7

3



3