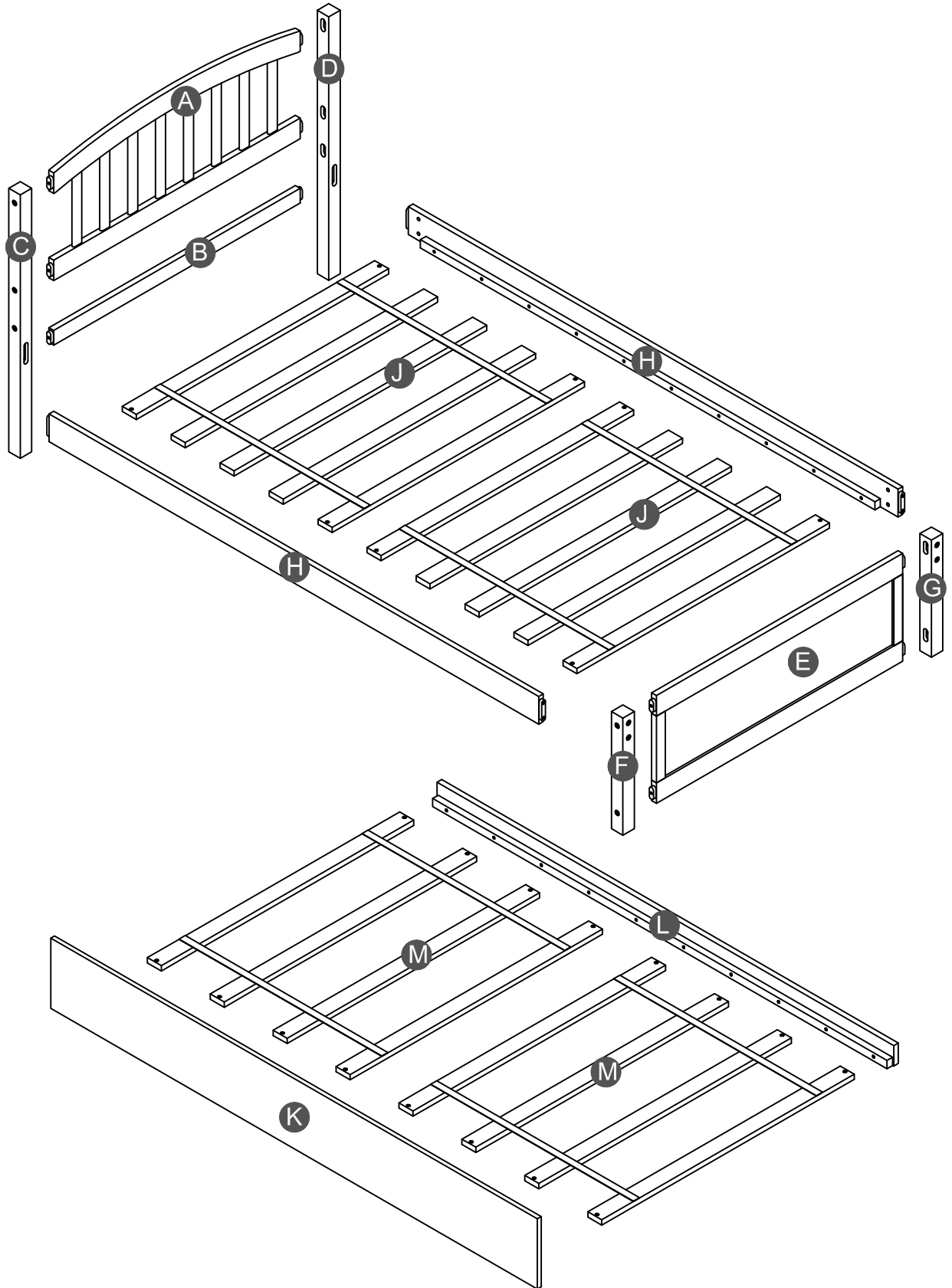


# ASSEMBLY INSTRUCTIONS

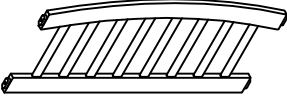

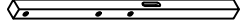
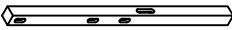
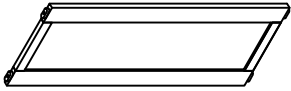
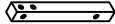
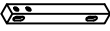
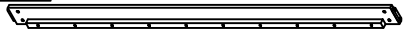
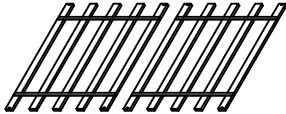
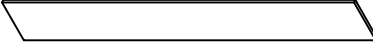

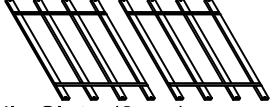
## BED WITH TRUNDLE



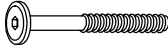
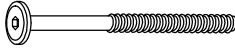


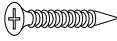

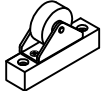
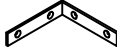

# Detail View



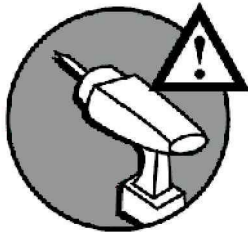
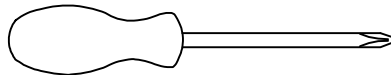
# Part List

<b>A</b>  Headboard - 1pc	<b>B</b>  Horizontal bar - 1pc	<b>C</b>  Leg headboard(Left) - 1pc
<b>D</b>  Leg headboard(Right) - 1pc	<b>E</b>  Footboard - 1pc	<b>F</b>  Leg footboard(Right) - 1pc
<b>G</b>  Leg footboard(Left) - 1pc	<b>H</b>  Side rail - 2pcs	<b>J</b>  Slat - (10pcs)
<b>K</b>  Front panel of trundle - 1pc	<b>L</b>  Back panel side rail of trundle - 1pc	<b>M</b>  Trundle Slat - (8pcs)

# Hardware List

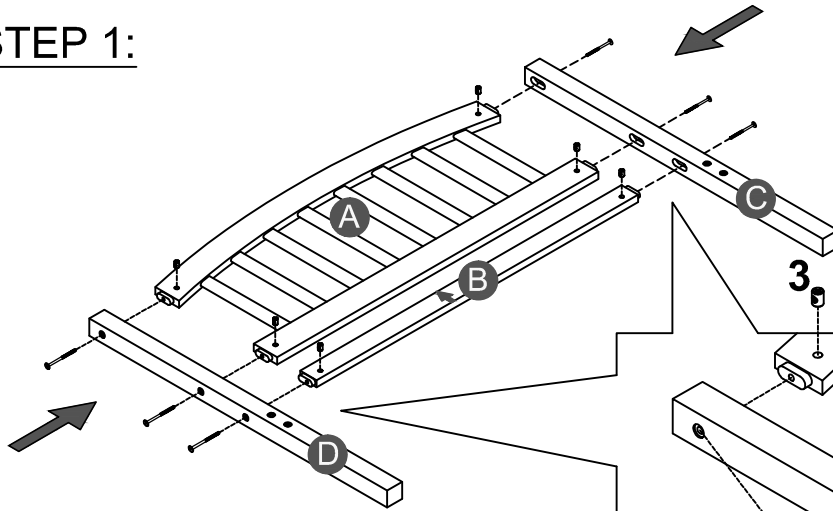
<b>1</b>  (Ø15)1/4"*80mm Hex-Head bolts (10pcs)	<b>2</b>  (Ø15)1/4"*100mm Hex-Head bolts (8pcs)	<b>3</b>  1/4"*15 (9.5mm) Horizontal-Hole bolts(18pcs)
<b>4</b>  (1/4")4.5*58mm Allen key (1pc)	<b>5</b>  Ø4*30mm Wood screws (32pcs)	<b>6</b>  40*18*18*2mm Metal bracket (2pcs)
<b>7</b>  100*63*20mm Wheels (4pcs)	<b>8</b>  95*95*18*3mm Metal bracket (2pcs)	<b>9</b>  Ø3.5*15mm Wood screws (16pcs)



## ASSEMBLY TOOLS REQUIRED ( NOT INCLUDED )

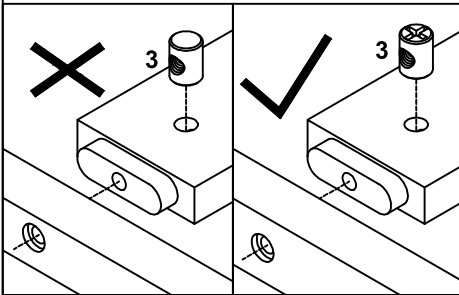
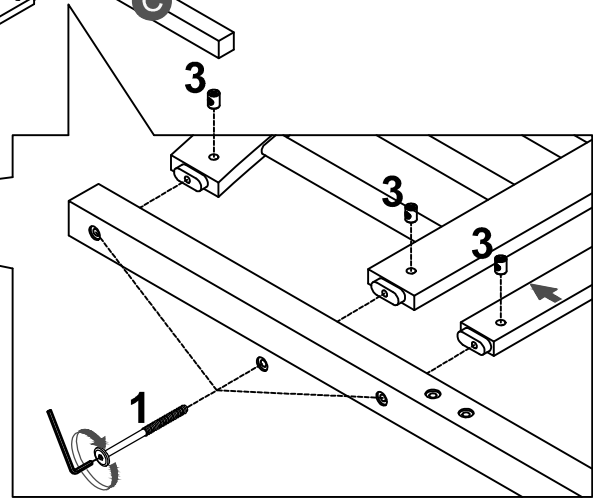


PLEASE BE CAREFUL DO NOT DAMAGE THE HOLE POSITION WHEN YOU USE POWER TOOLS !

**STEP 1:**

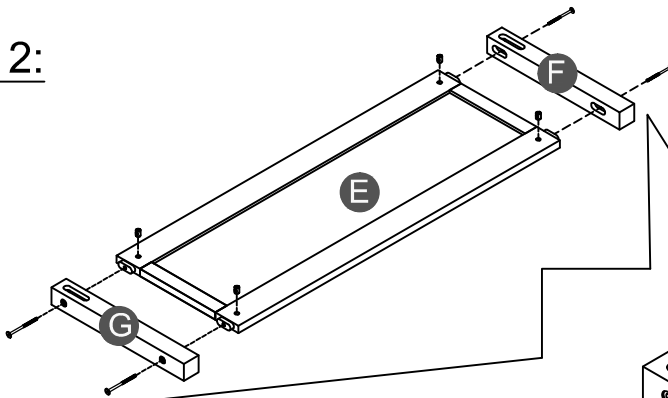




<b>1</b>		<b>3</b>	
<b>6PCS</b>		<b>6PCS</b>	

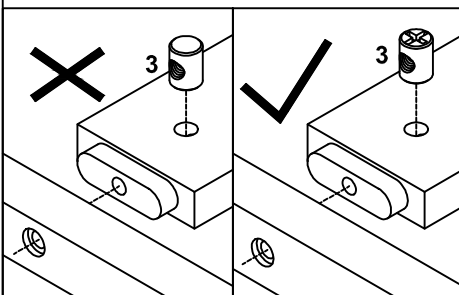
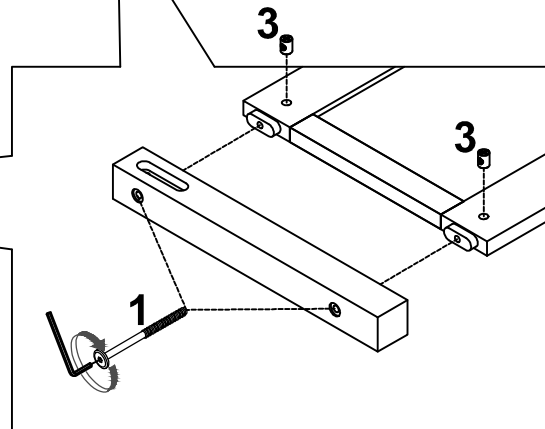


Note: Part 3 will face up with the "x" mark on it, otherwise it cannot be tightened

**STEP 2:**





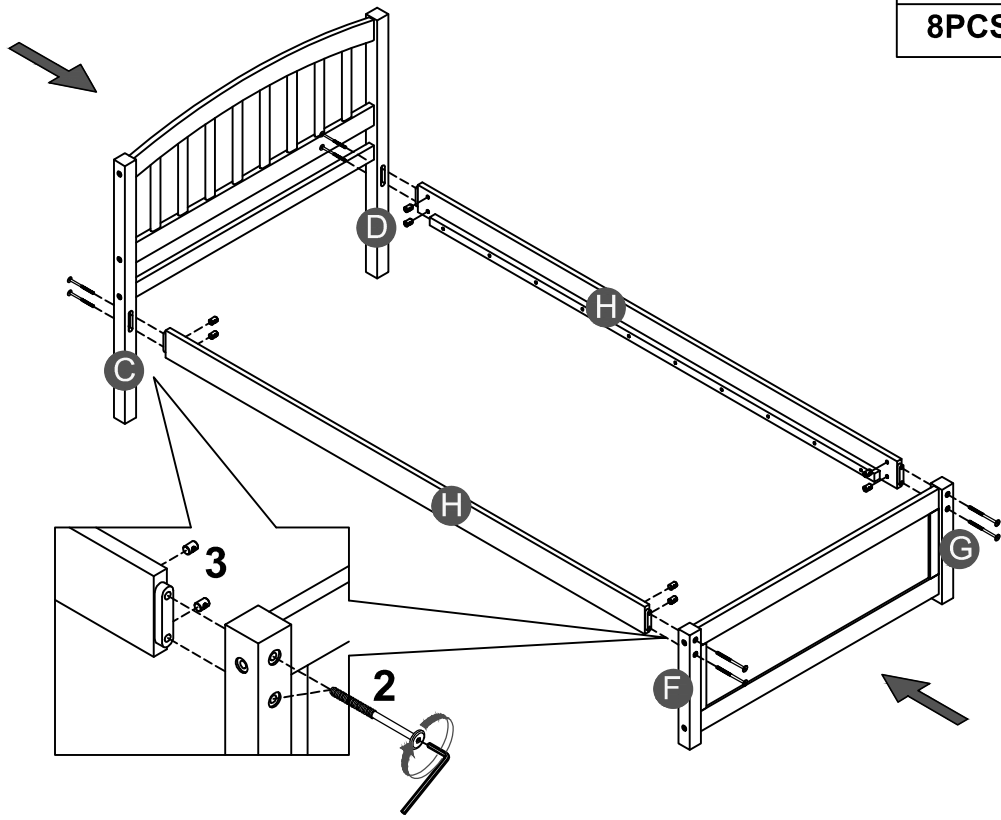
<b>1</b>		<b>3</b>	
<b>4PCS</b>		<b>4PCS</b>	




Note: Part 3 will face up with the "x" mark on it, otherwise it cannot be tightened

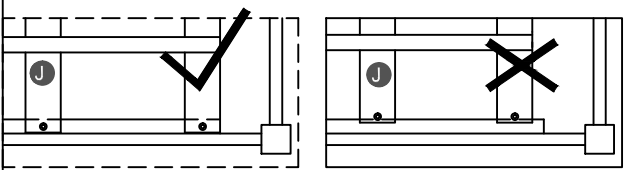
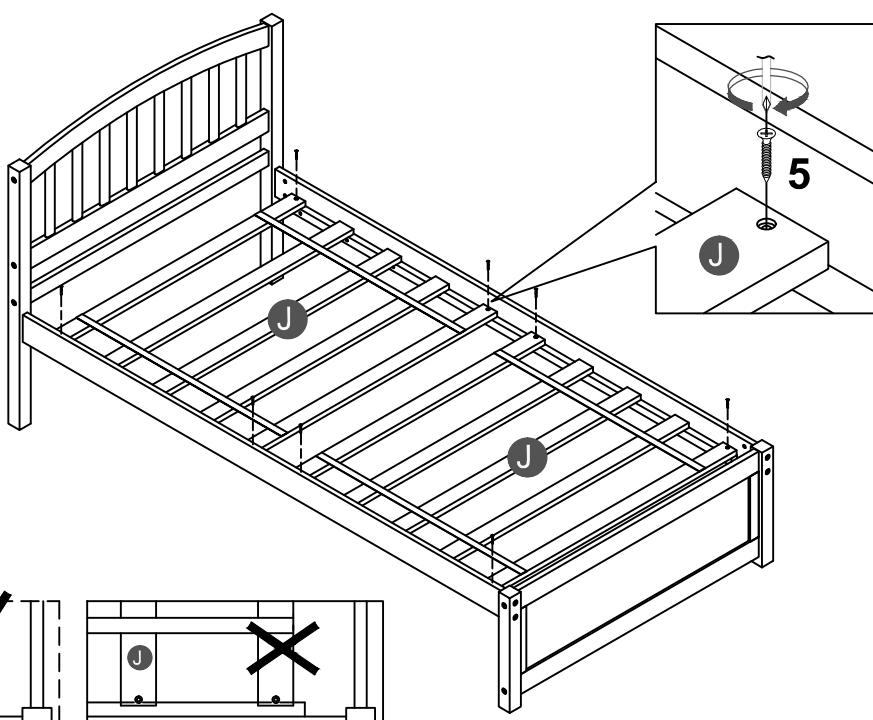
**STEP 3:**

<b>2</b>		<b>3</b>	
<b>8PCS</b>		<b>8PCS</b>	





**STEP 4:**

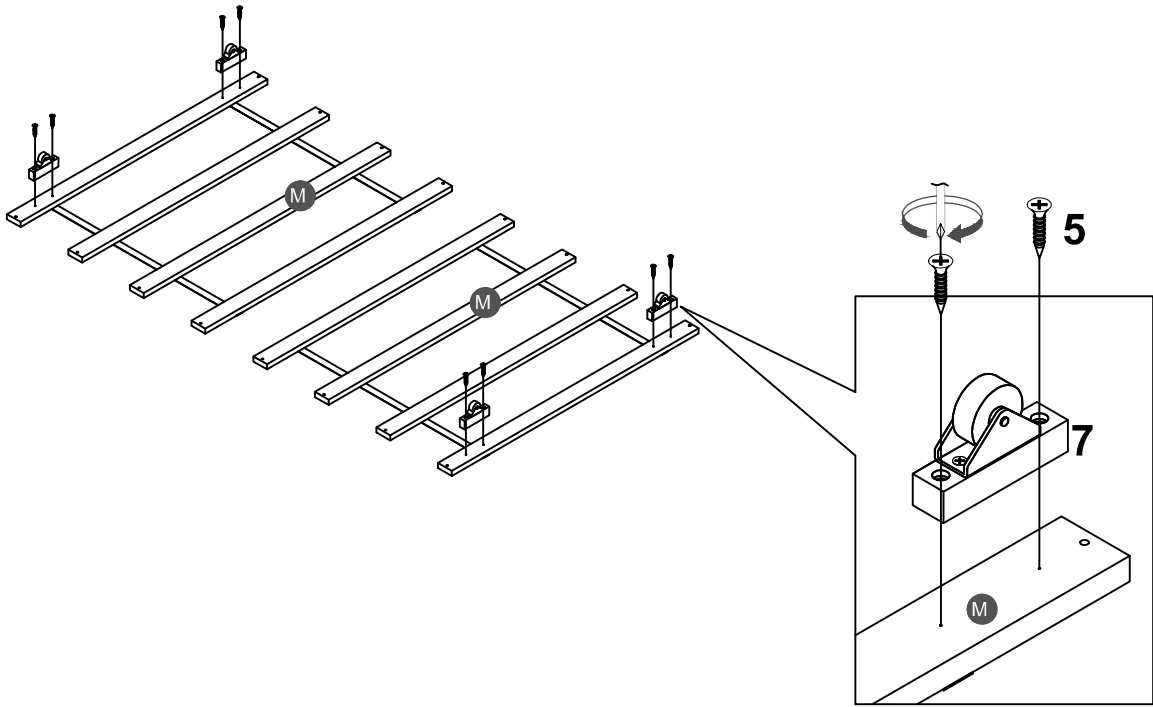
<b>5</b>	
<b>8PCS</b>	




Note: Do not lock the screws of the bed slats to the outermost edge of the bed slats, you need to leave a certain space at the edges, otherwise it will cause the board to break

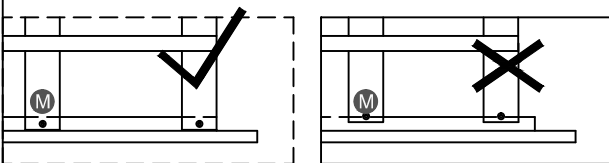
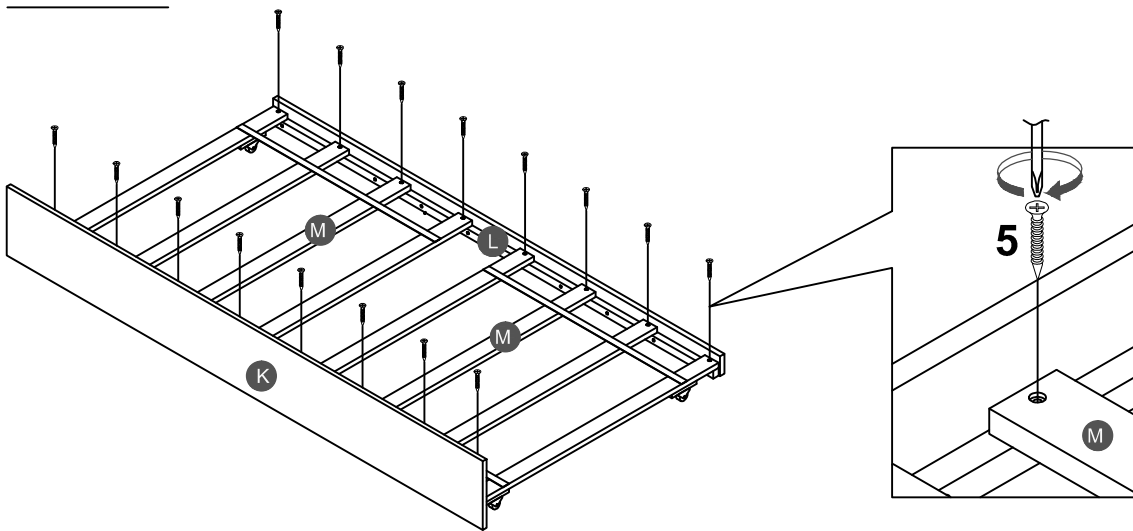
### STEP 5:

7	5
	
4PCS	8PCS





### STEP 6:

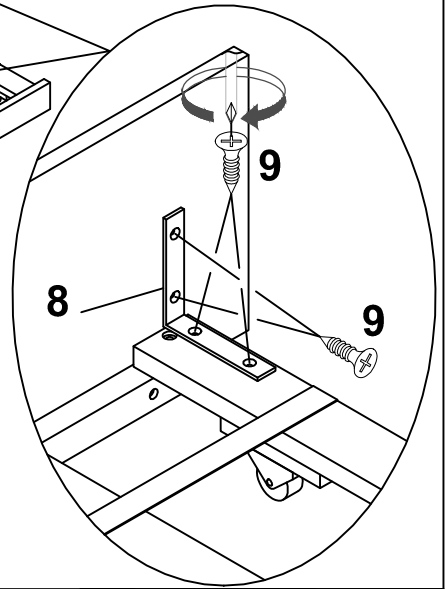
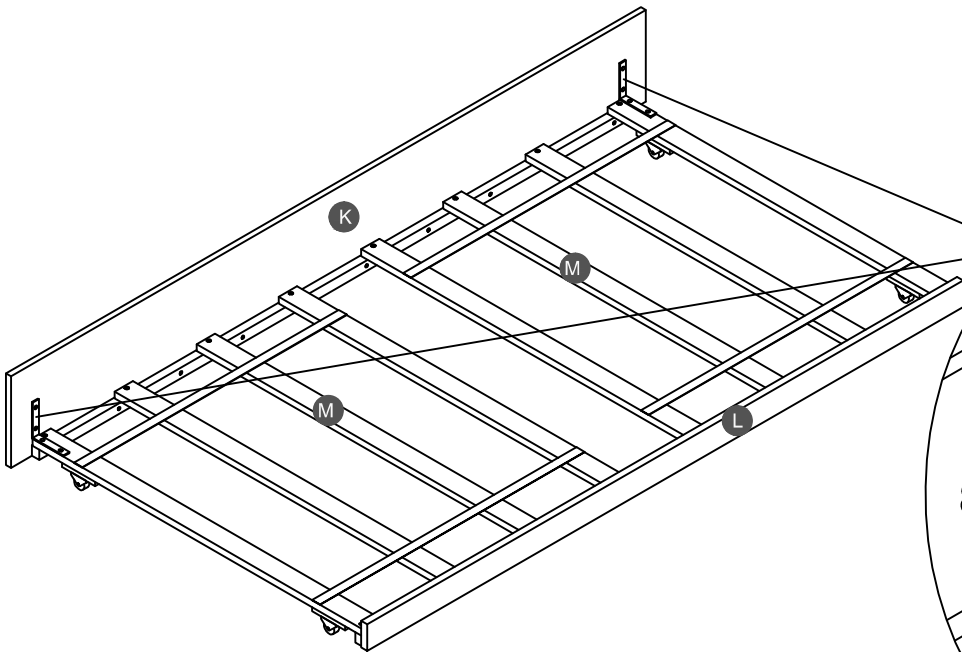
5

16PCS




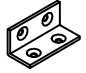
Note: Do not lock the screws of the bed slats to the outermost edge of the bed slats, you need to leave a certain space at the edges, otherwise it will cause the board to break

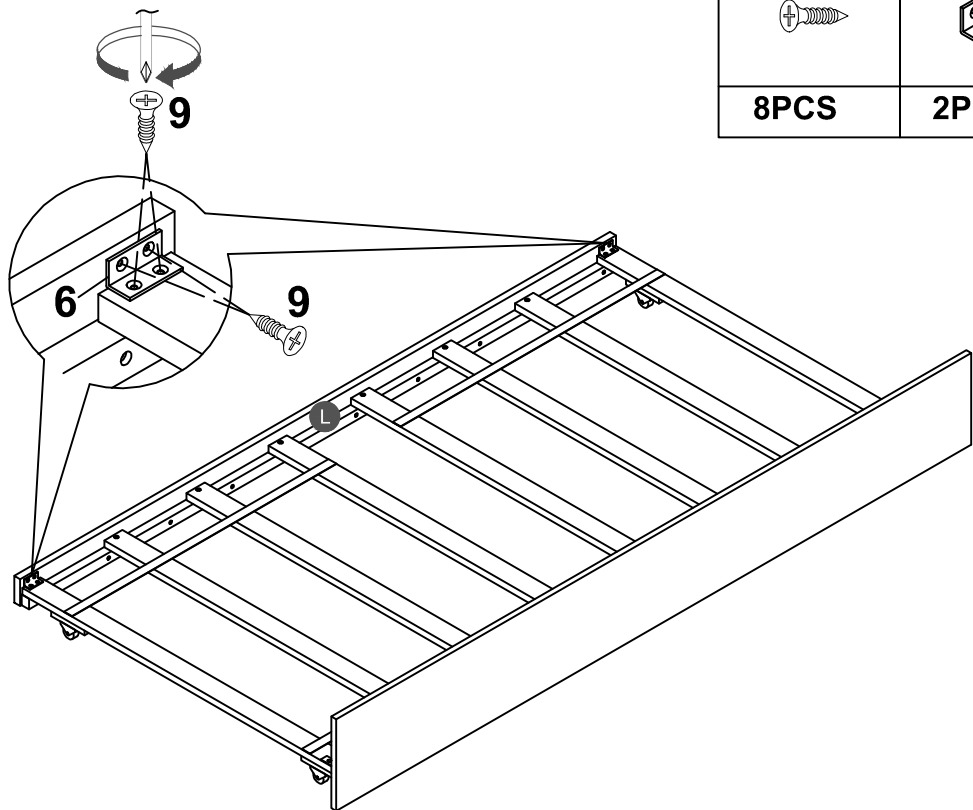
**STEP 7:**

<b>8</b>		<b>9</b>	
<b>2PCS</b>		<b>8PCS</b>	

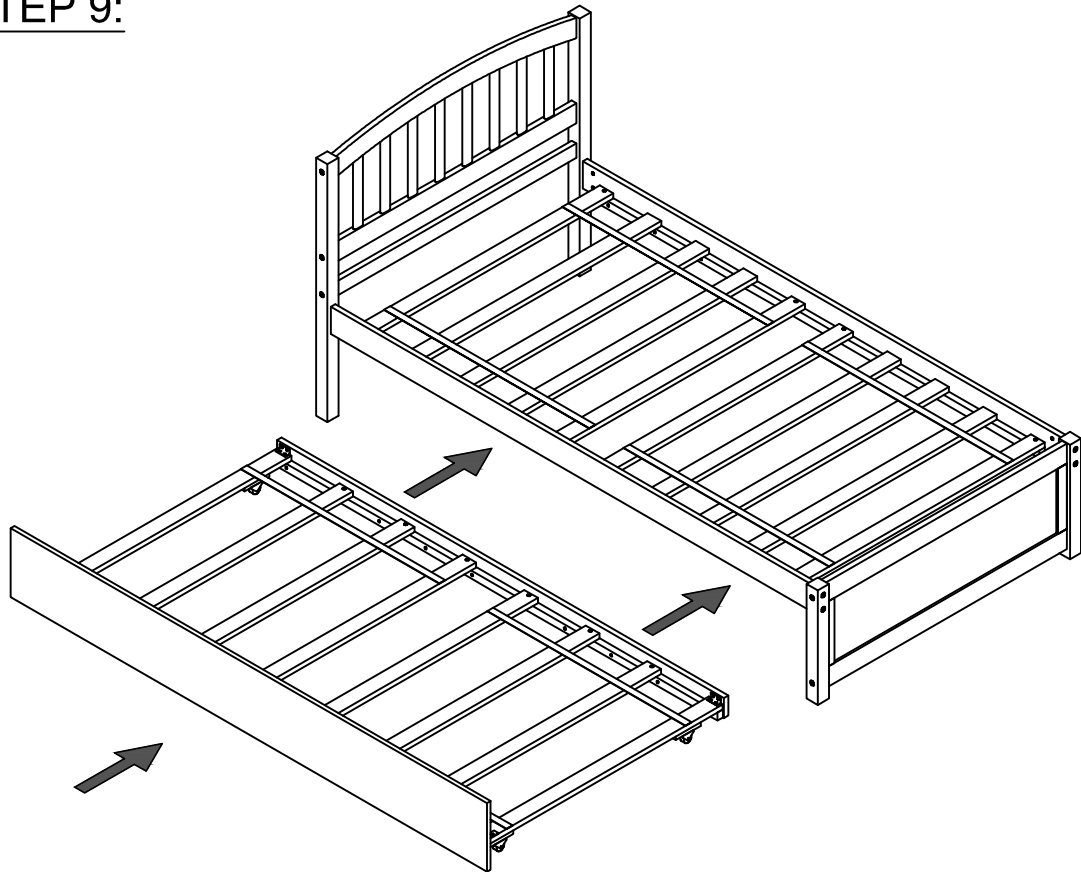


**STEP 8:**

<b>9</b>		<b>6</b>	
<b>8PCS</b>		<b>2PCS</b>	



STEP 9:



Push Trundle under the bottom of Twin Bed.

