






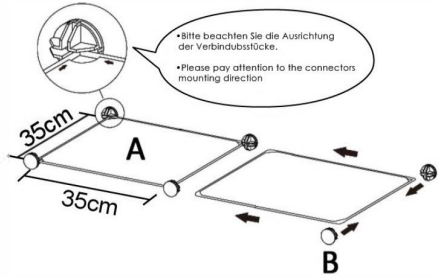
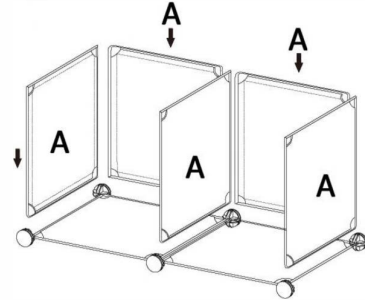


No.	Part image	Quantity
A	 35x35cm	22
B		24
C		1
D	 35x35cm	6
E		1
F		1
G		6

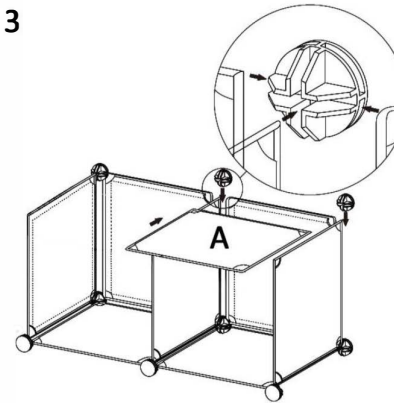
STEP 1



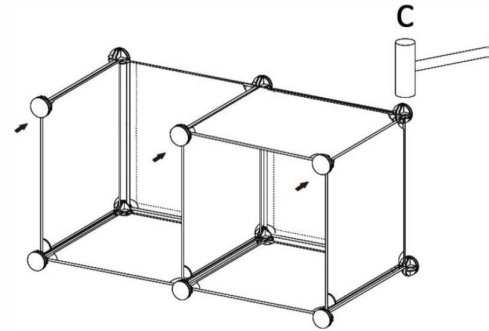
STEP 2



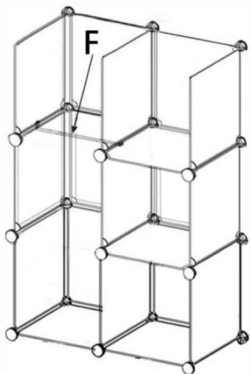
STEP 3



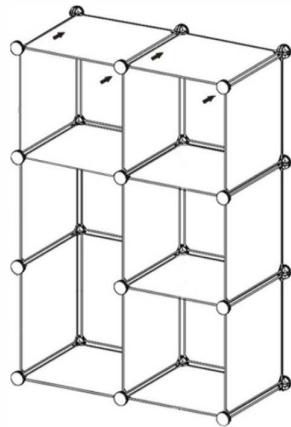
STEP 4



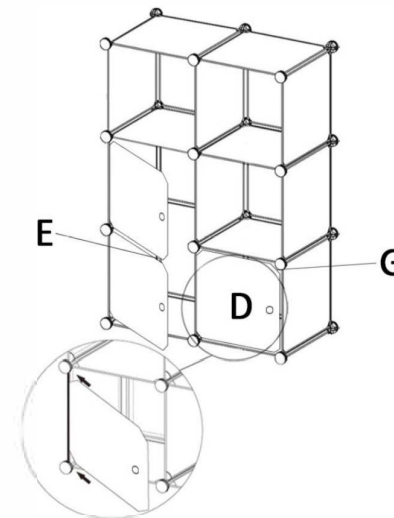
STEP 5



STEP 6



STEP 7



STEP 8

