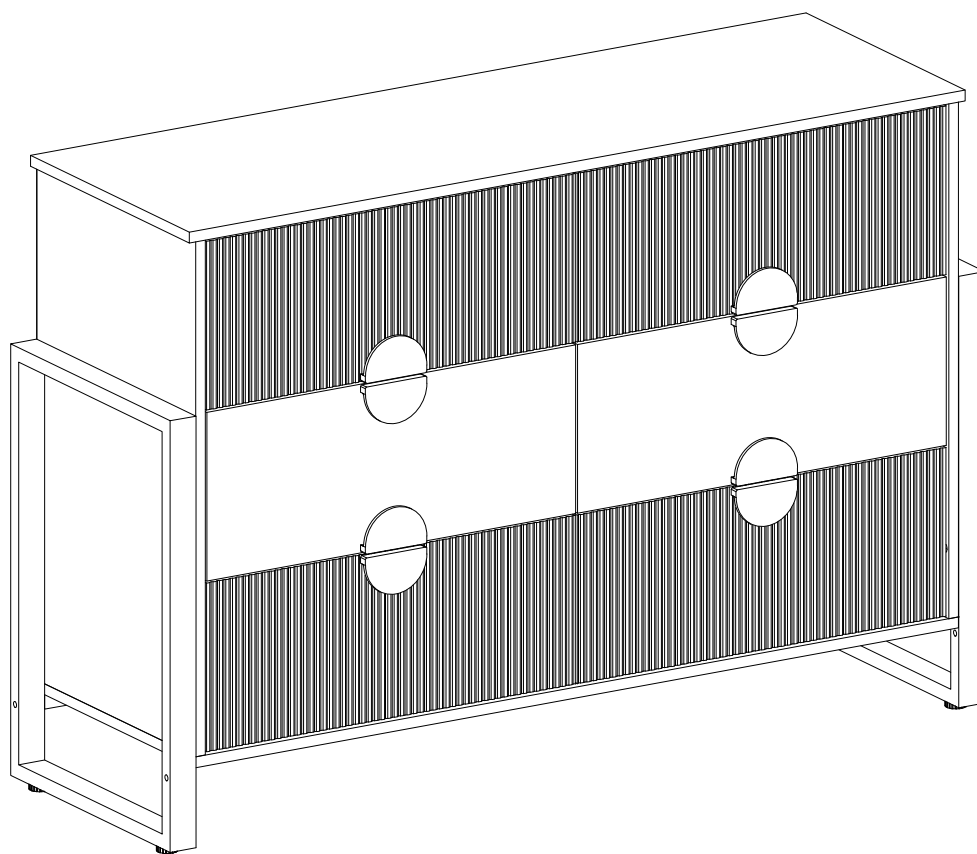


# Assembly Instructions



**⚠ WARNING**

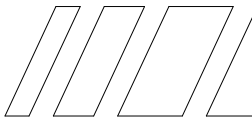
**Children have died from furniture tipover. To reduce the risk of furniture tipover:**

- ALWAYS install tipover restraint provided.
- NEVER put a TV on this product.
- NEVER allow children to stand, climb or hang on drawers, doors, or shelves.
- NEVER open more than one drawer at a time.
- Place heaviest items in the lowest drawers.

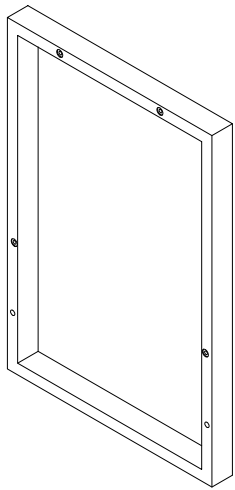


*This is a permanent label.*

*Do not remove!*

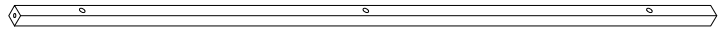


1



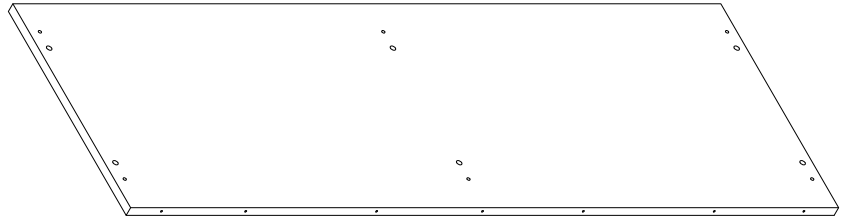
x 2

2

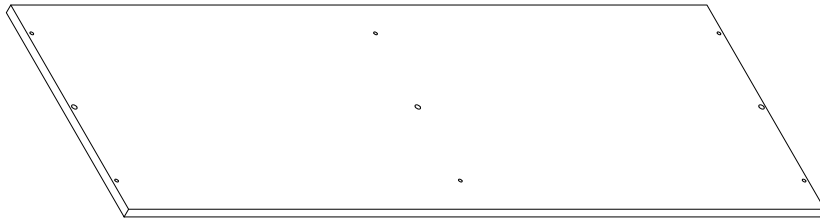


x 2

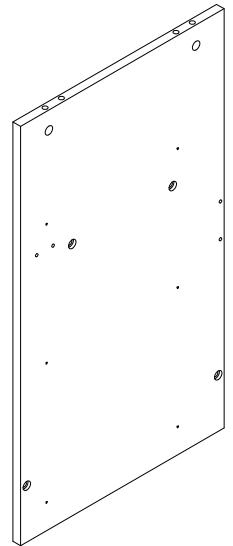
3



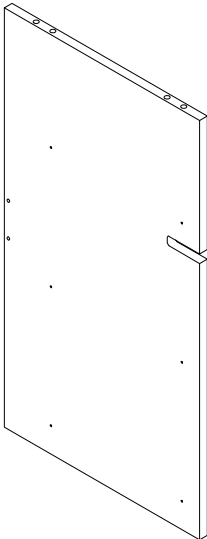
4



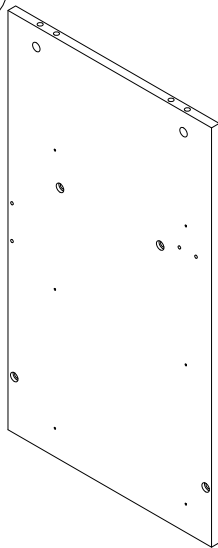
5



6



7

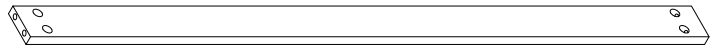


8

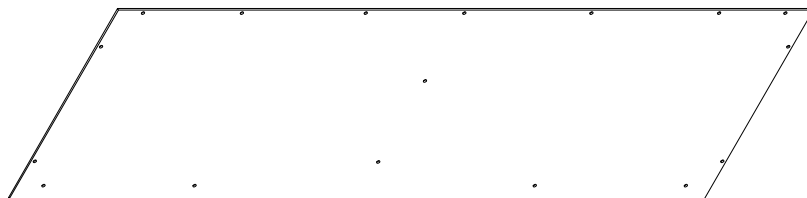


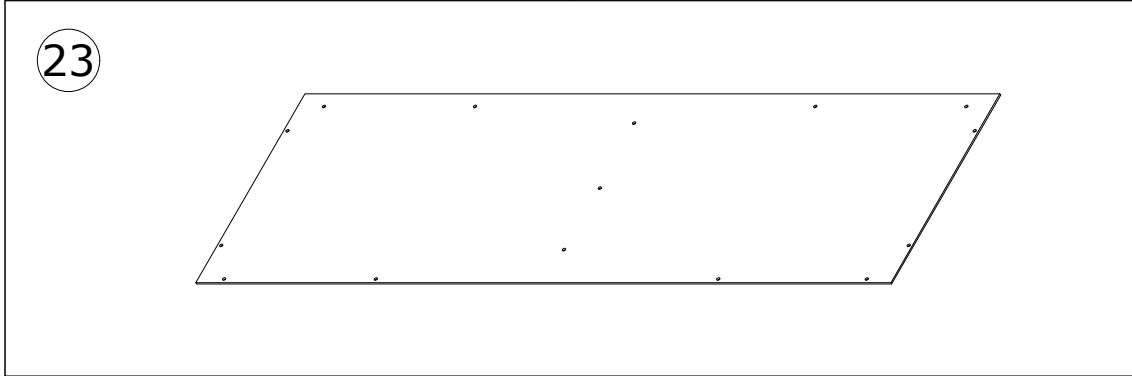
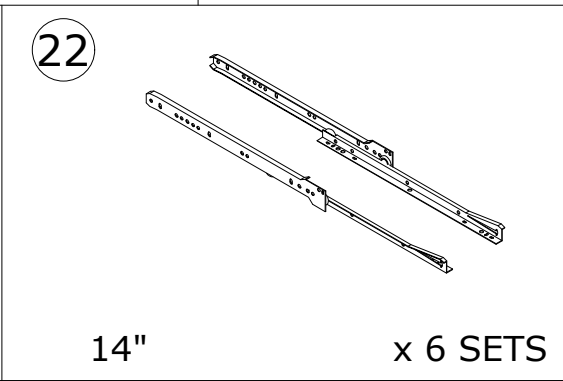
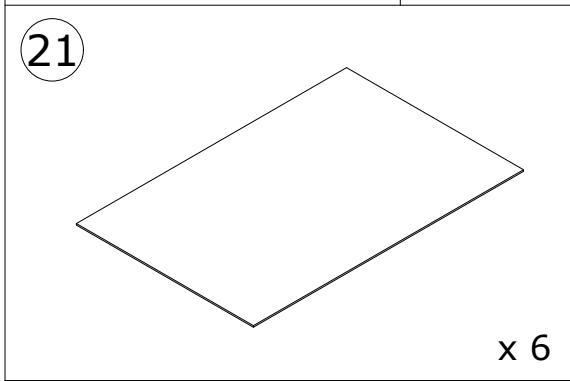
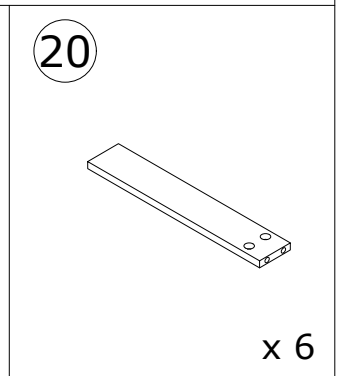
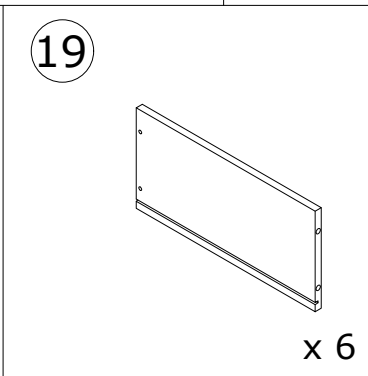
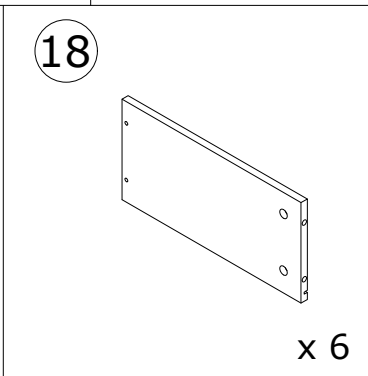
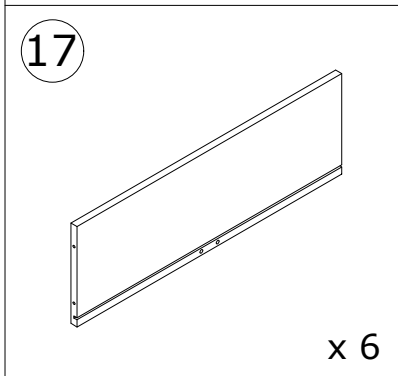
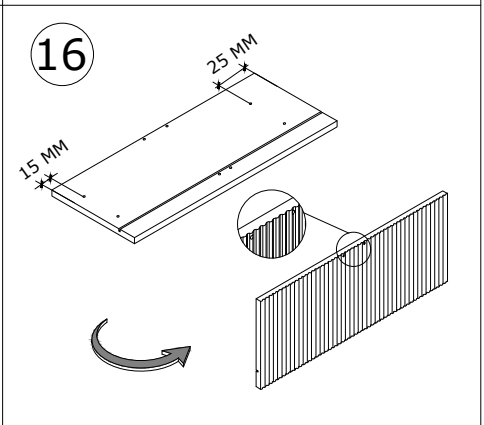
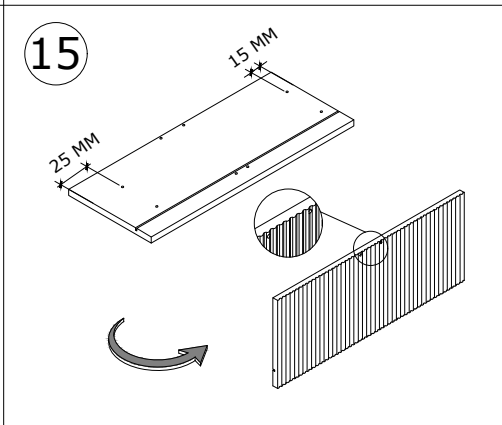
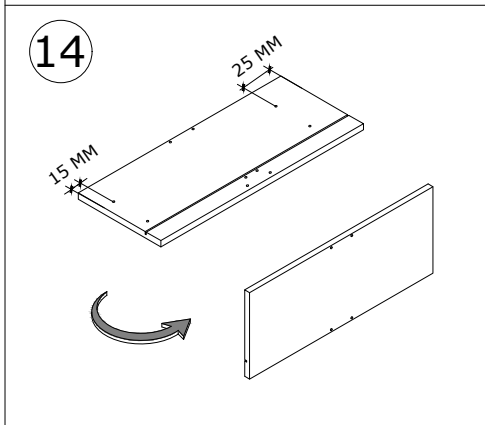
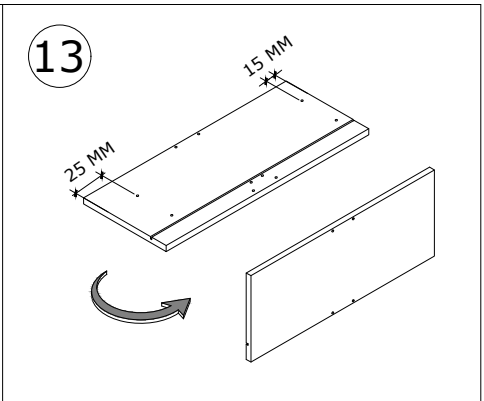
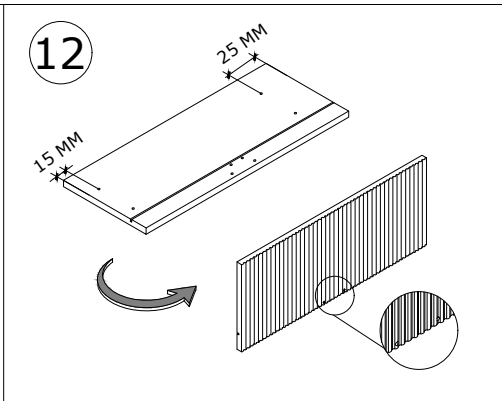
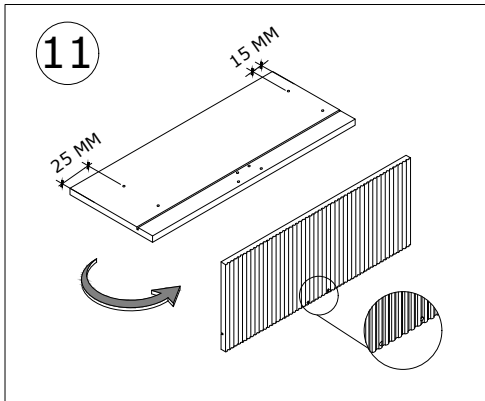
x 2

9

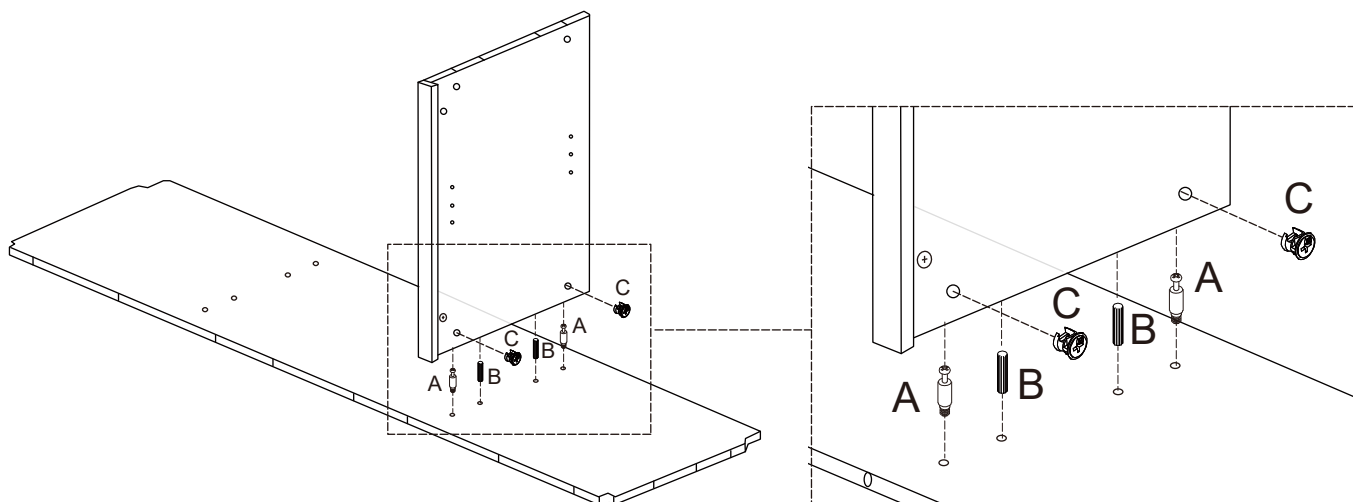


10



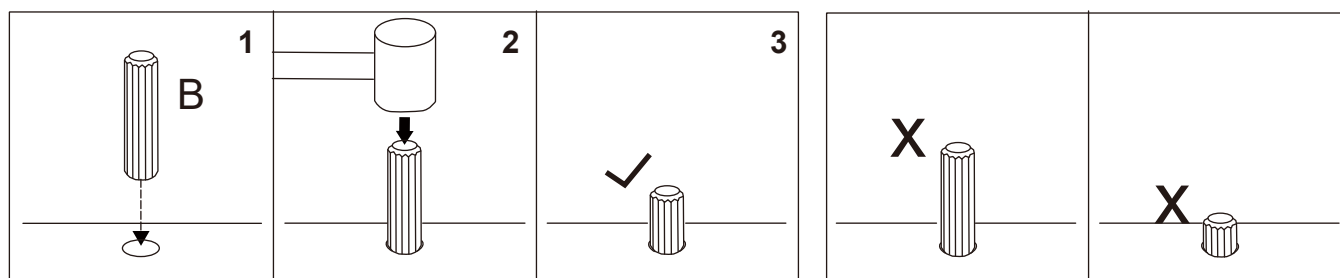


## How the knock down (kd) assembly system works

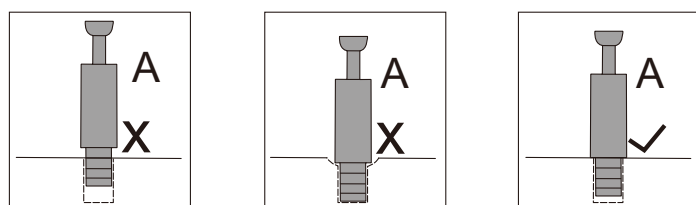


## How to Install Wood Dowel

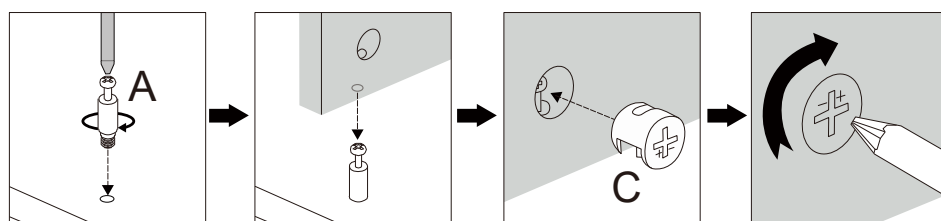
Insert the wood dowel [B] at least half way by tapping lightly with a rubber mallet, IF NECESSARY.



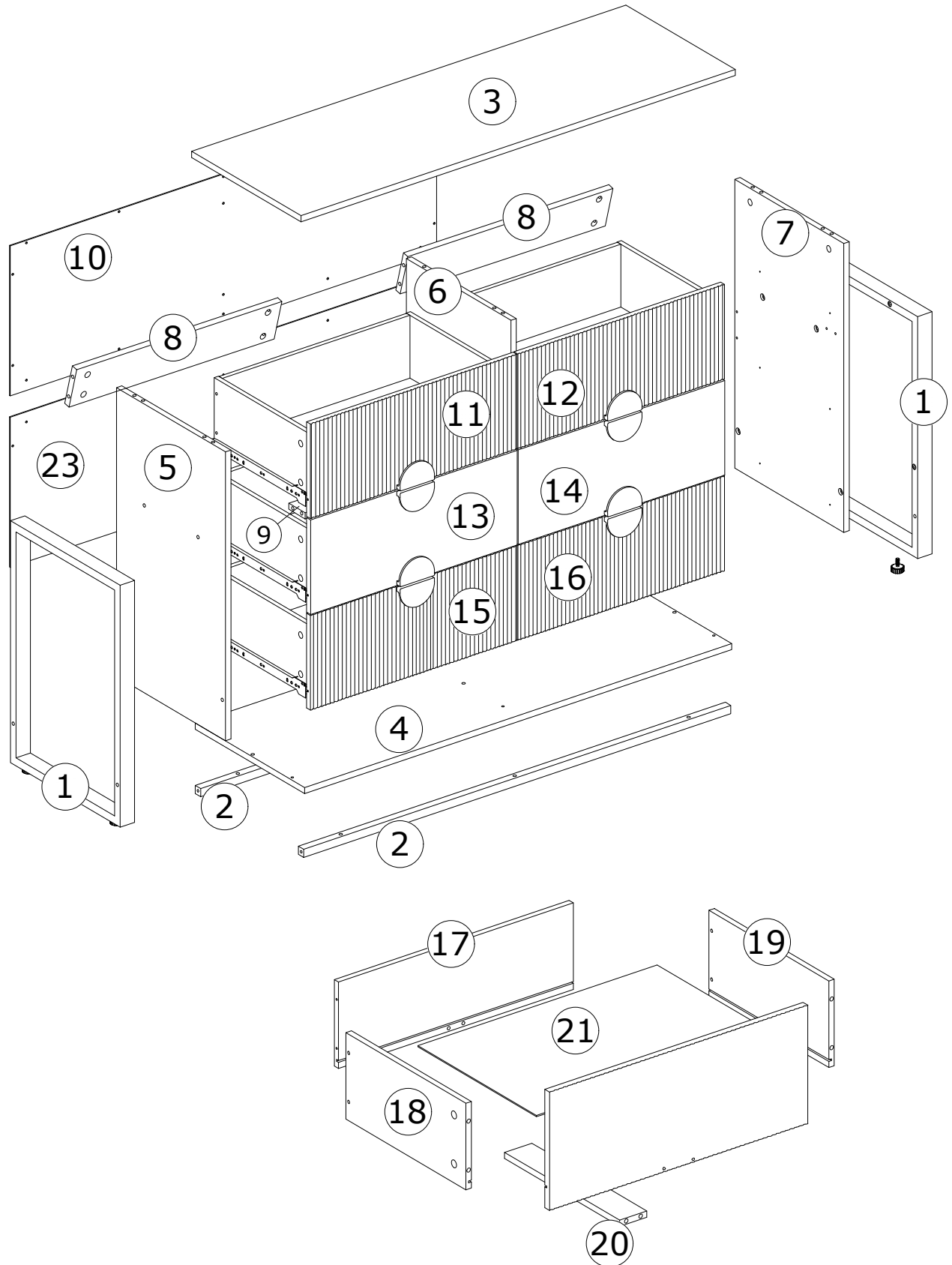
## CAM LOCK SYSTEM OPERATION



1. Screw the cam bolt [A] into the threaded insert on the panel.
2. Connect both panels together making sure cam bolt [A] goes into the pre-drilled large hole on the end of panel for cam lock [C].
3. insert the cam lock [C] into the pre-drilled large hole on the panel. Make sure the cross slot of cam lock [C] faces out.
3. Rotate the cam lock [C] clockwise with a self-supplied philips screwdriver to lock the cam bolt [A] in place.

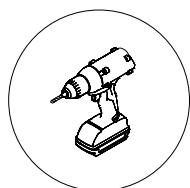


## STRUCTURE FOR REFERENCE TO ASSEMBLY



It is divided into 5 parts in total:

1. Install the Boards Slides(⑤ ⑥ ⑦ )
2. Install the Frame Part (⑧ ⑨ ③ ④ )
3. Install the Metal Base Frame ① ② and Back Panel ⑩ ⑳
4. Install the Drawers
5. Install the Drawers Slides



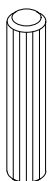
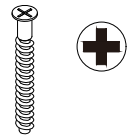

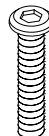
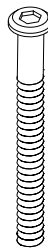

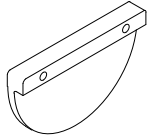
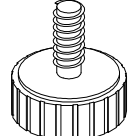
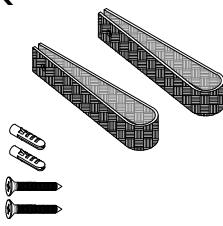

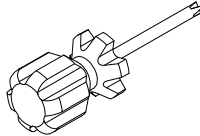
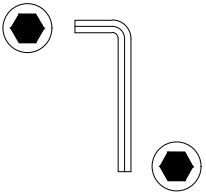


We recommend using a power drill to assemble.



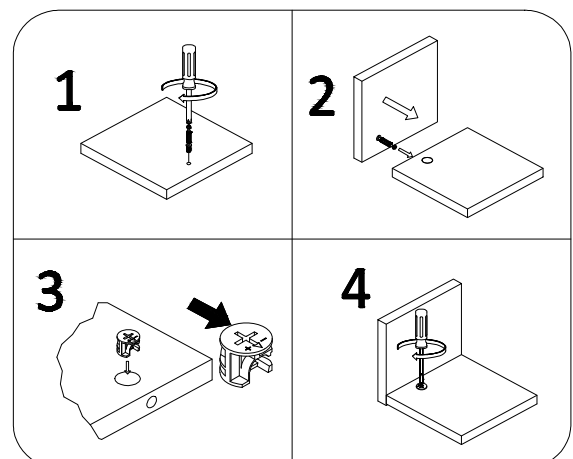
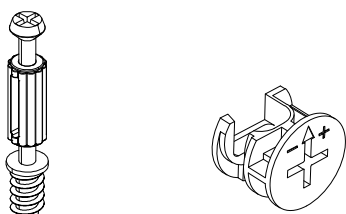
### WARM TIPS:

Here has 4 kind of Slide #22,  
2 kind of Boards Slides(left and right) and  
2 kind of Drawers Slides(left and right)

<p>A M5x42</p>  <p>54 PCS</p>	<p>B Ø15x10</p>  <p>54 PCS</p>	<p>C Ø8x40</p>  <p>9 PCS</p>	<p>D M5x40</p>  <p>42 PCS</p>	<p>E M3.5x14</p>  <p>108 PCS</p>
<p>F M6x30</p>  <p>14 PCS</p>	<p>G M6x70</p>  <p>4 PCS</p>	<p>H M4x15</p>  <p>16 PCS</p>	<p>I Ø95*64</p>  <p>8 PCS</p>	<p>J M6XØ28</p>  <p>4 PCS</p>
<p>K</p>  <p>1 SETS</p>	  <p>1 PCS</p>	<p>4#</p>  <p>1 PCS</p>		

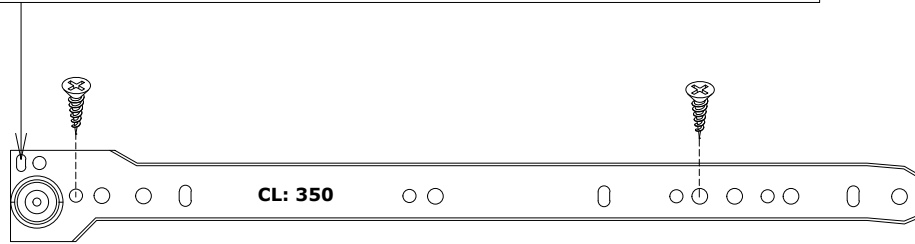
### Cam Lock Fastening System

This Cam Lock Fastening System will be used throughout the assembly process

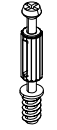


1

After the two screws under the slide are fixed, and then screw in this position.



A M5x42



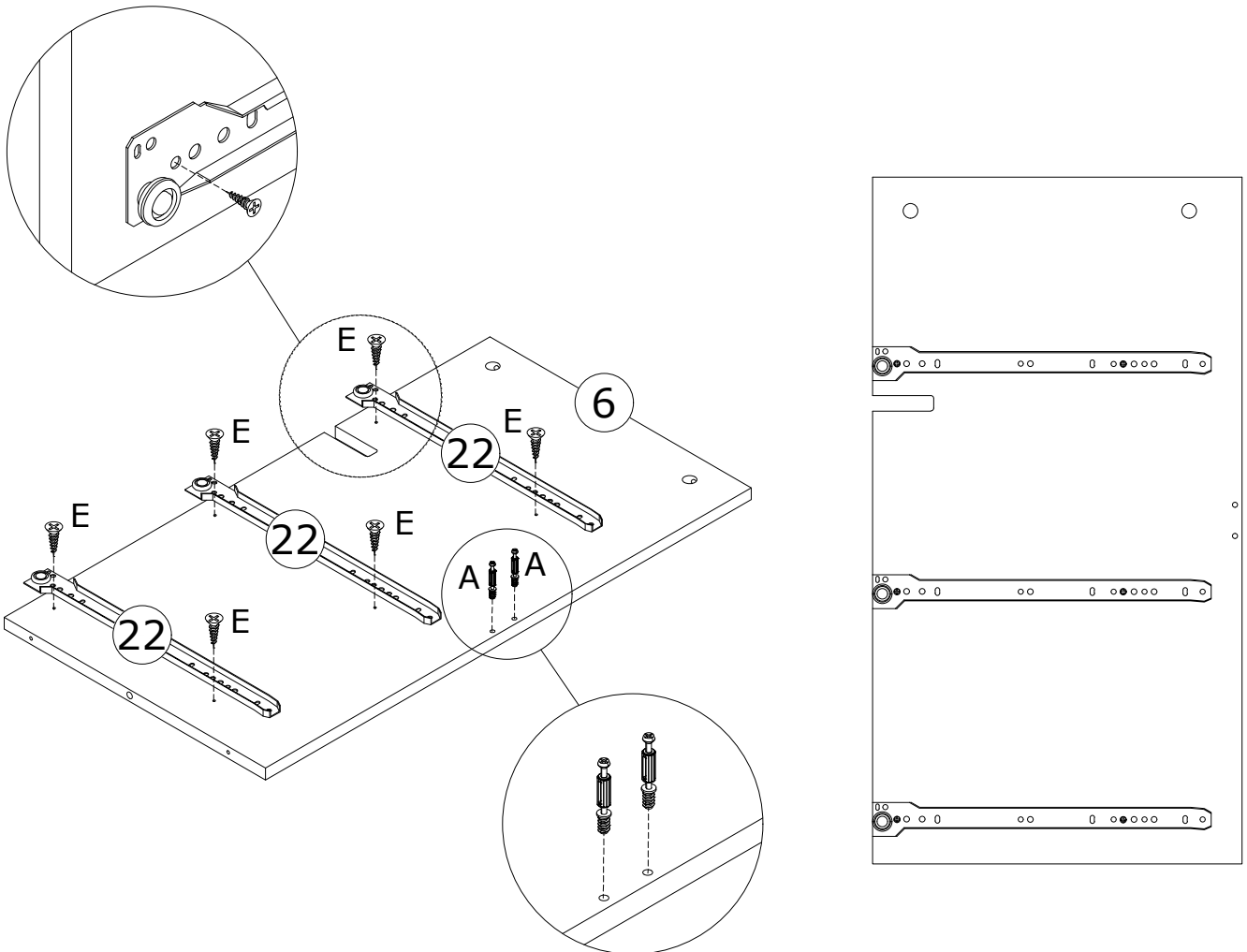
2 PCS

E M3.5x14



9 PCS

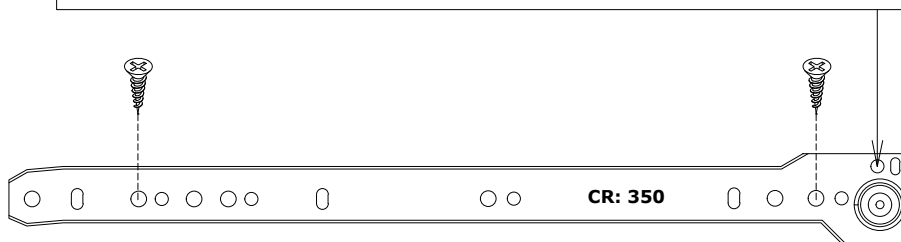
Starting from the first hole of the slide.



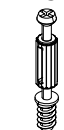
Reference to the completion of the installation:  
checking the position of the slides and screws in the planks.

2

After the two screws under the slide are fixed, and then screw in this position.



A M5x42

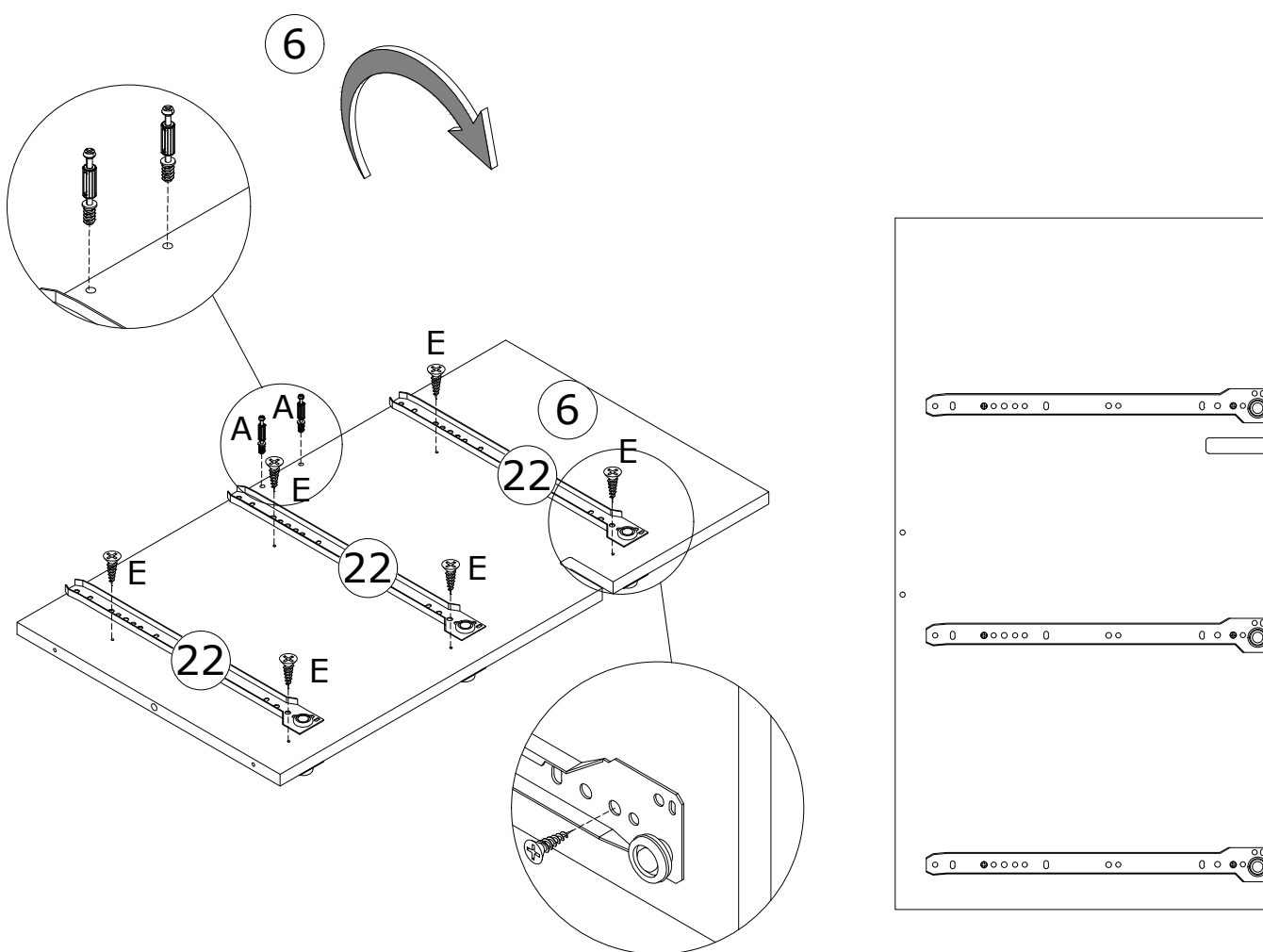


2 PCS

E M3.5x14



9 PCS

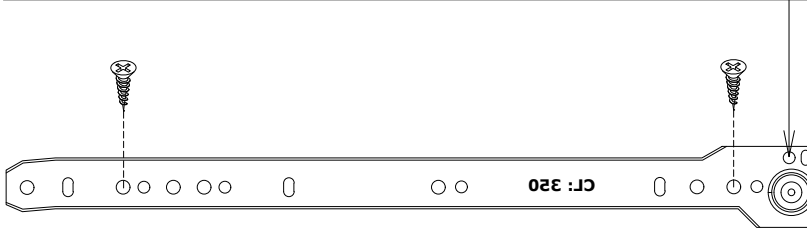


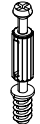

Starting from the second hole of the slide.

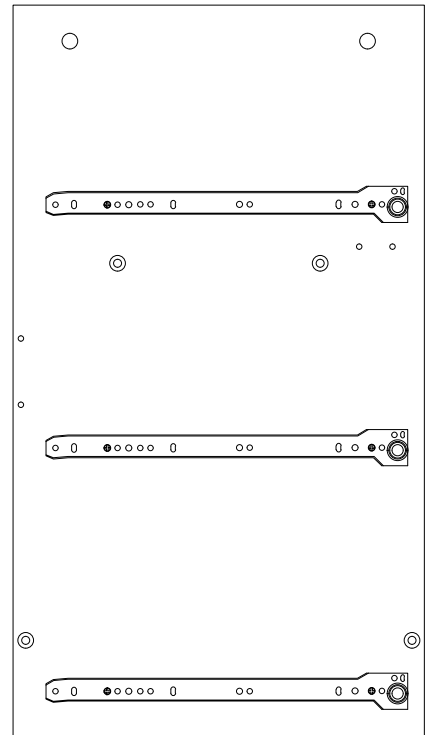
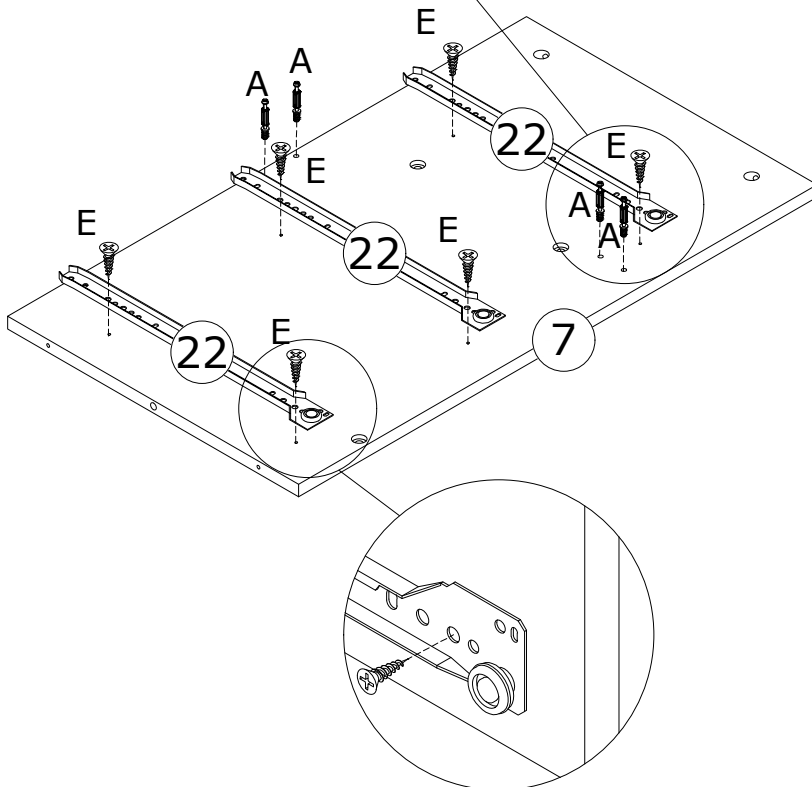
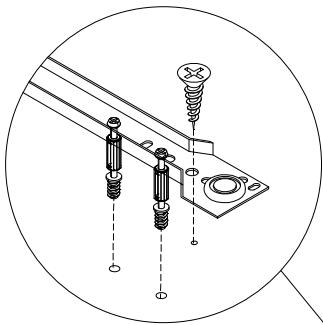
TIP: The screws for the slide must be tightened very tightly, and don't tilt the screws, otherwise the drawers will get stuck and won't fit in.

3

After the two screws under the slide are fixed, and then screw in this position.



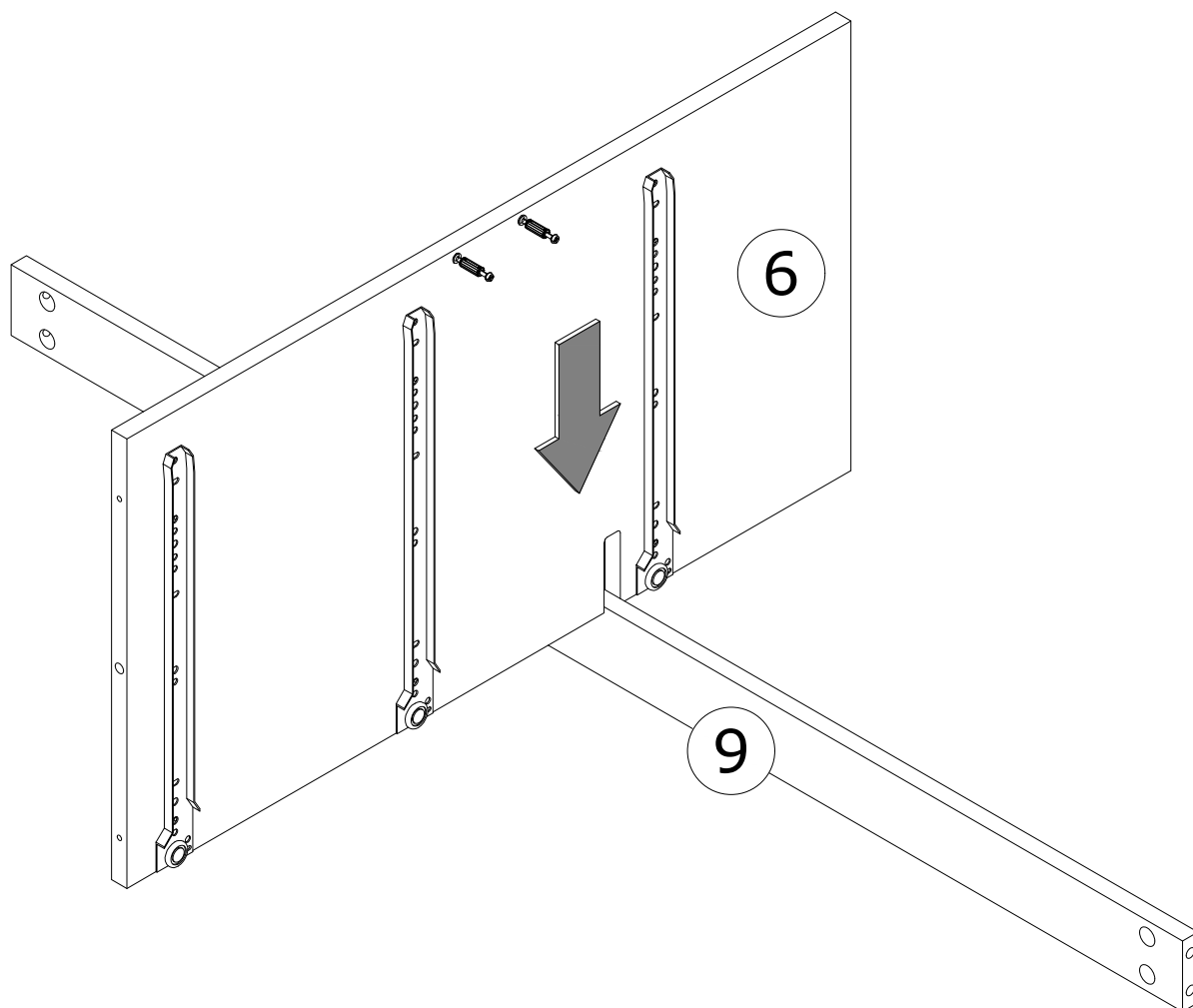
- A M5x42  
  
4 PCS
- E M3.5x14  
  
9 PCS



Starting from the second hole of the slide.

TIP: The screws for the slide must be tightened very tightly, and don't tilt the screws, otherwise the drawers will get stuck and won't fit in.

4

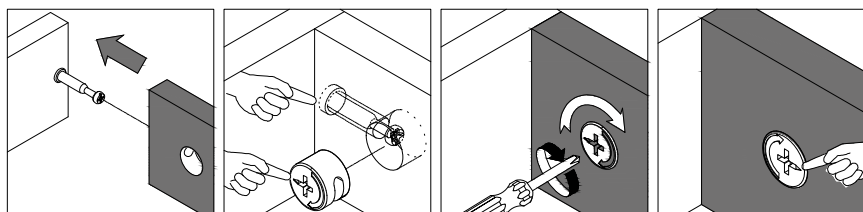
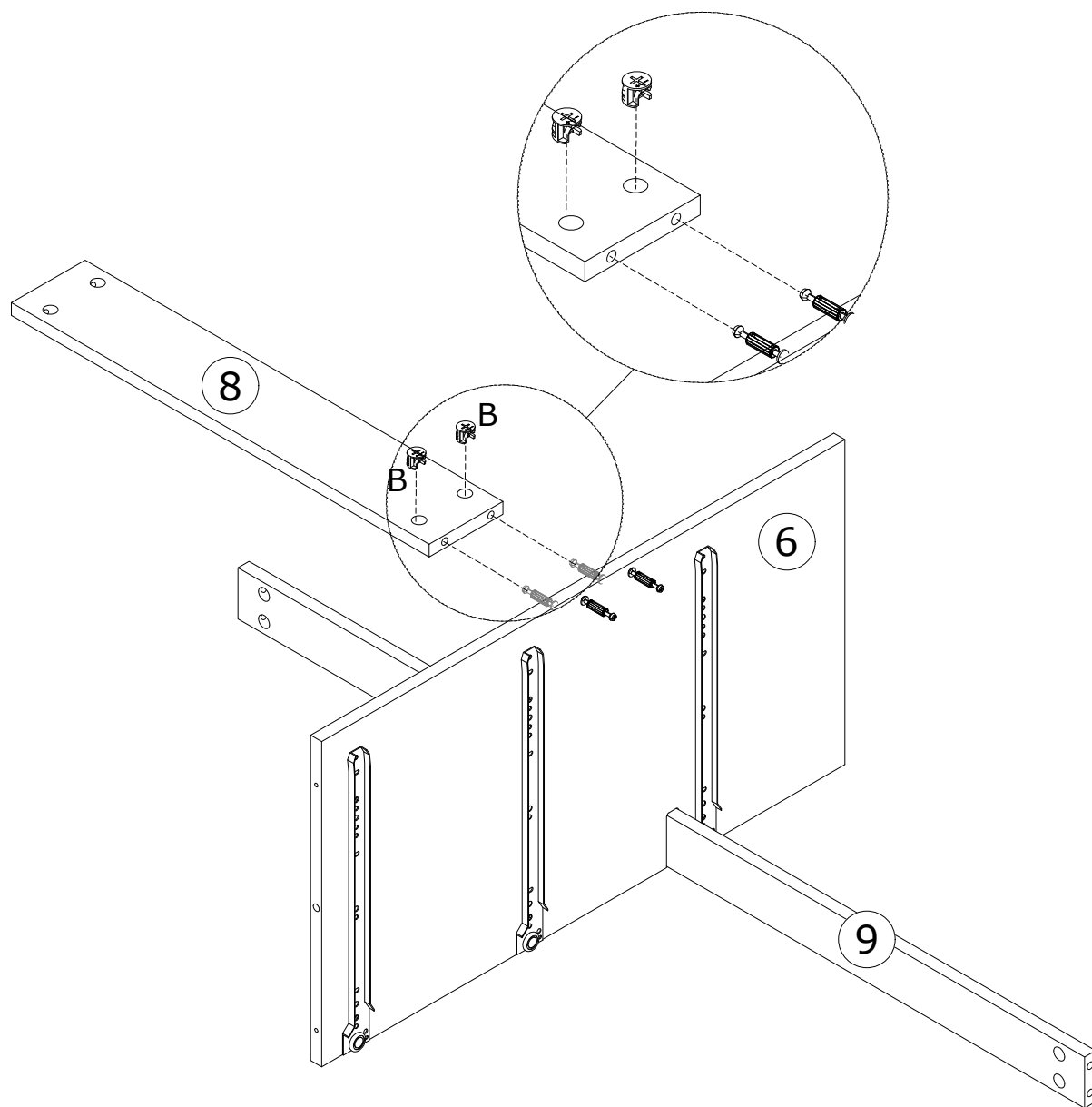


5

B Ø15x10



2 PCS

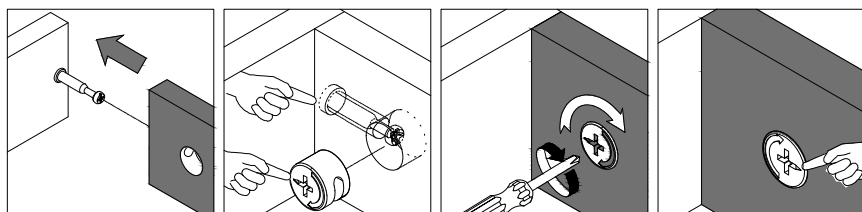
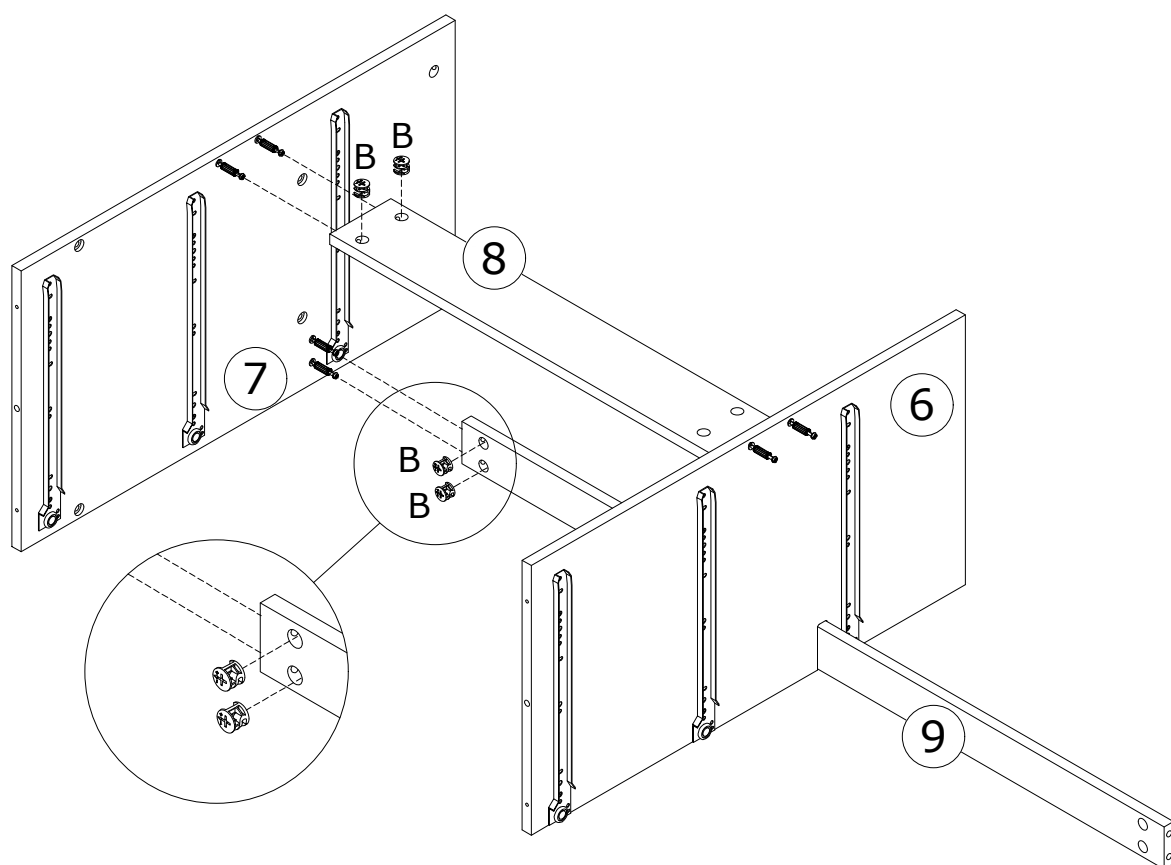


6

B Ø15x10

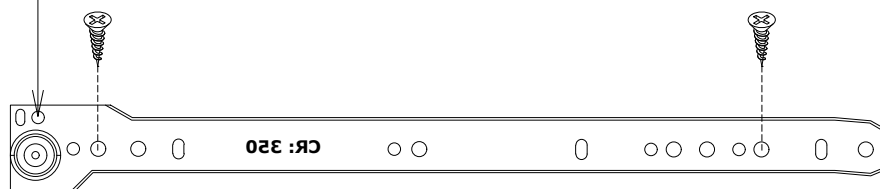


4 PCS



7

After the two screws under the slide are fixed,  
and then screw in this position.



A M5x42

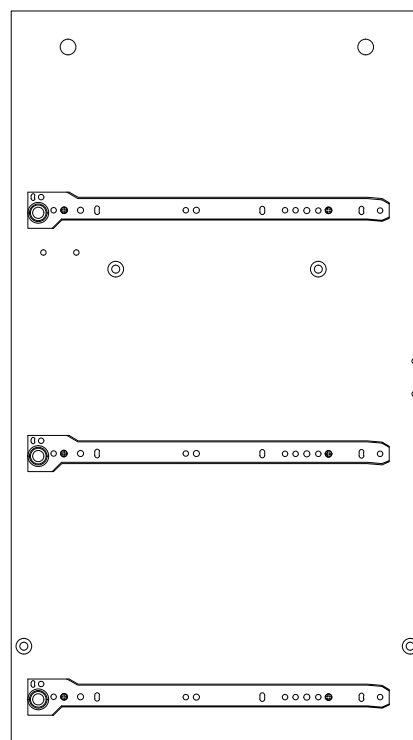
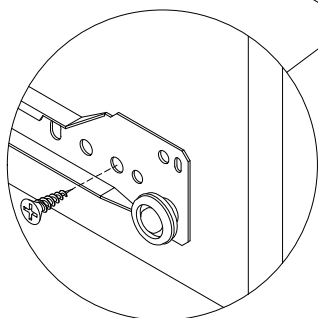
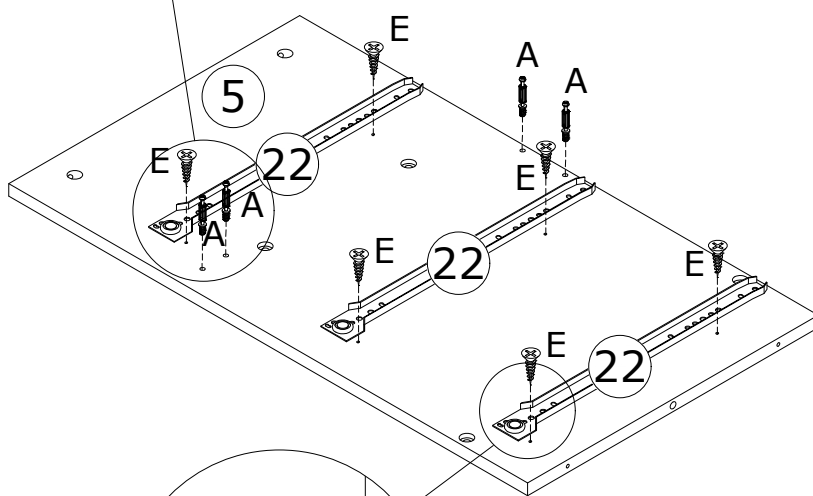
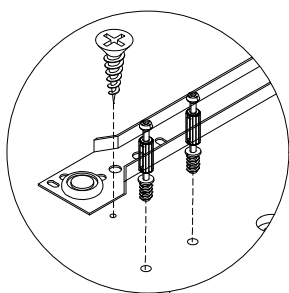


4 PCS

E M3.5x14



9 PCS



Starting from the second hole of the slide.

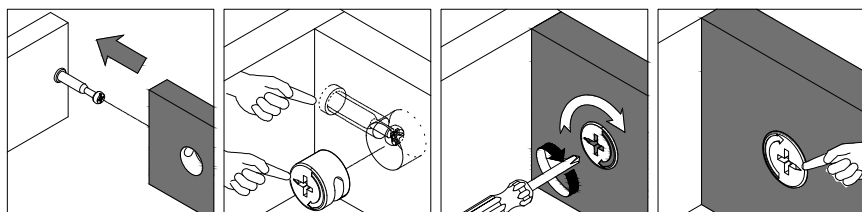
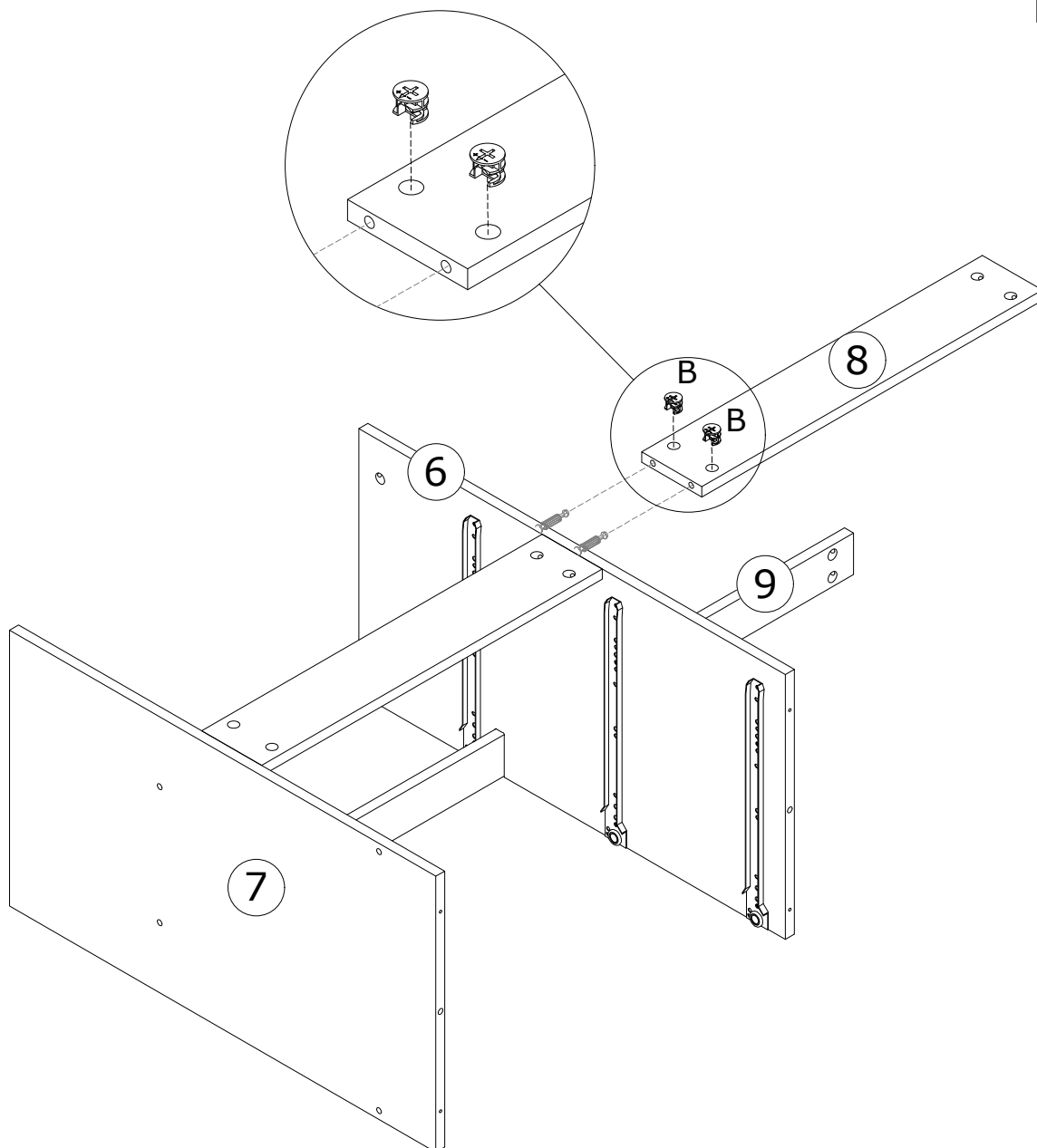
TIP: The screws for the slide must be tightened very tightly, and don't tilt the screws, otherwise the drawers will get stuck and won't fit in.

8

B Ø15x10



2 PCS

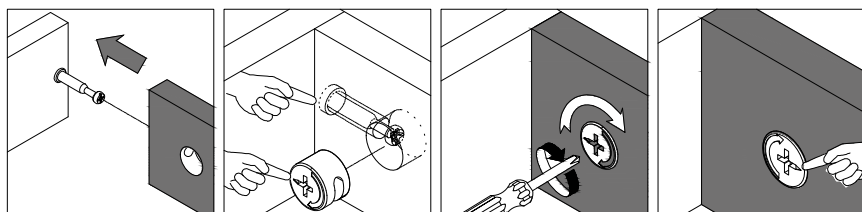
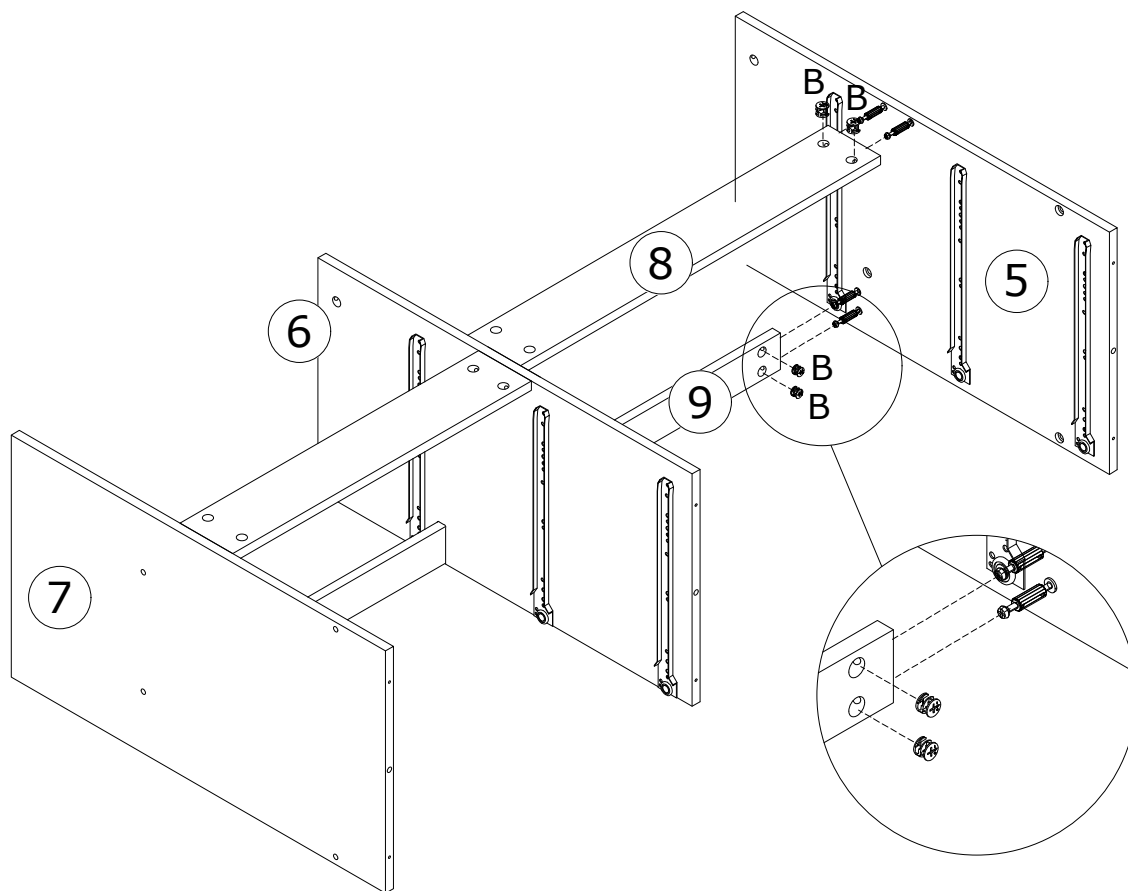


9

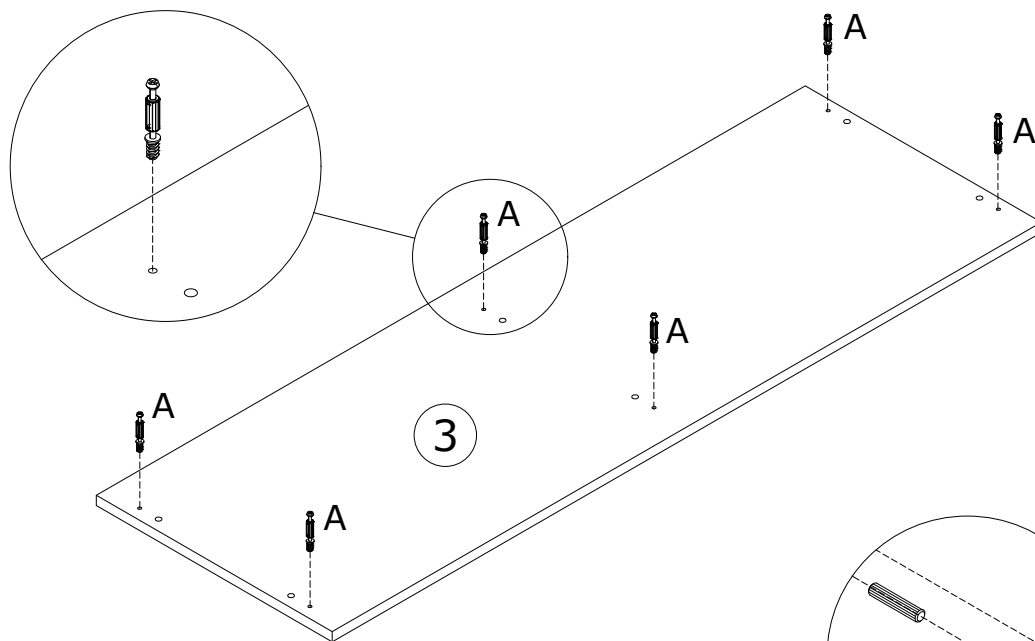
B Ø15x10



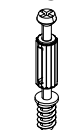
4 PCS



10



A M5x42



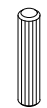
6 PCS

B Ø15x10



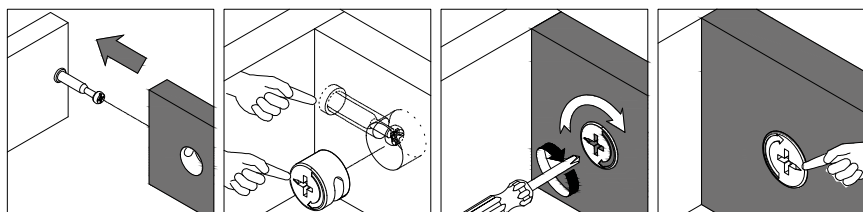
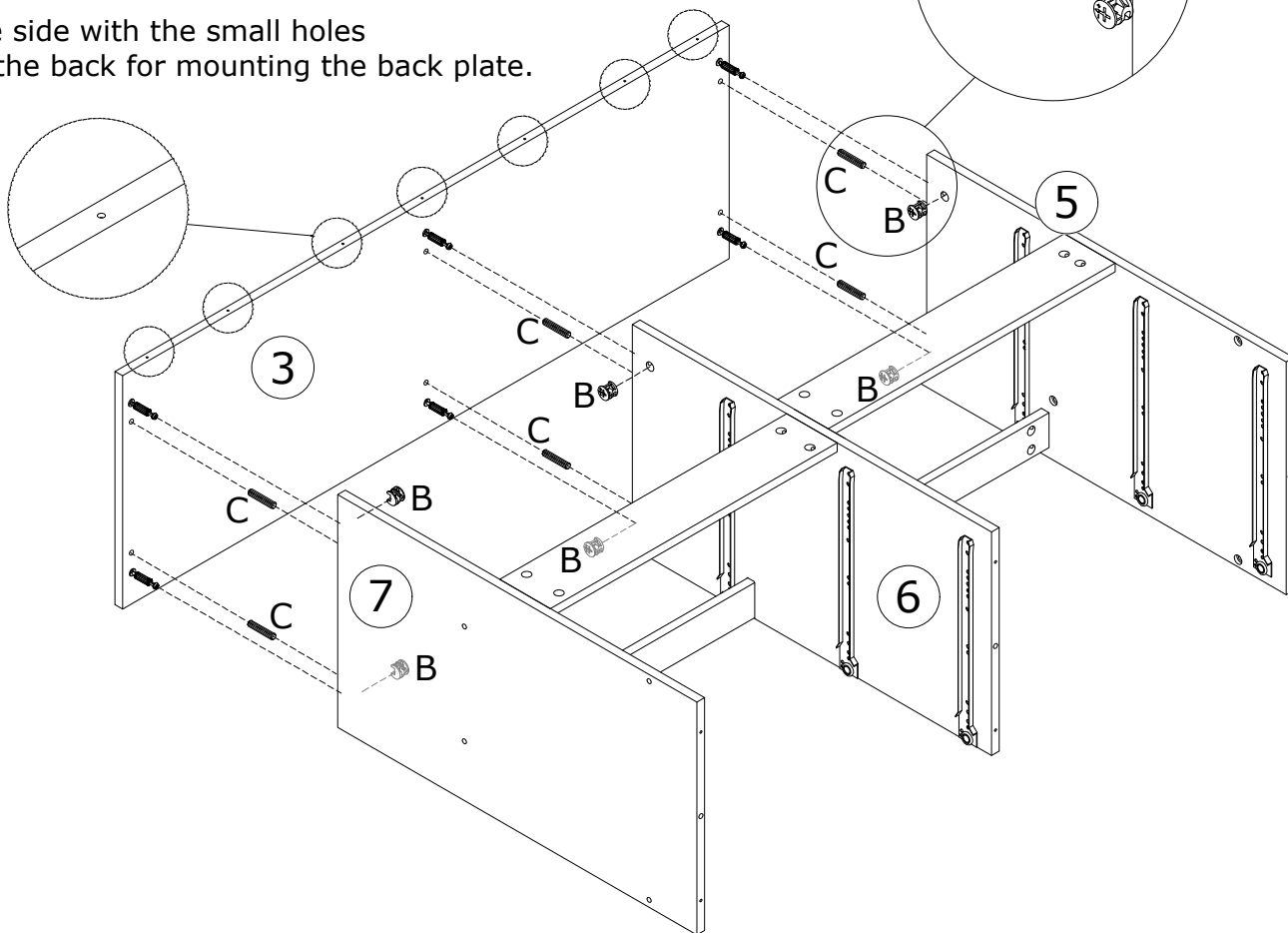
6 PCS

C Ø8x40

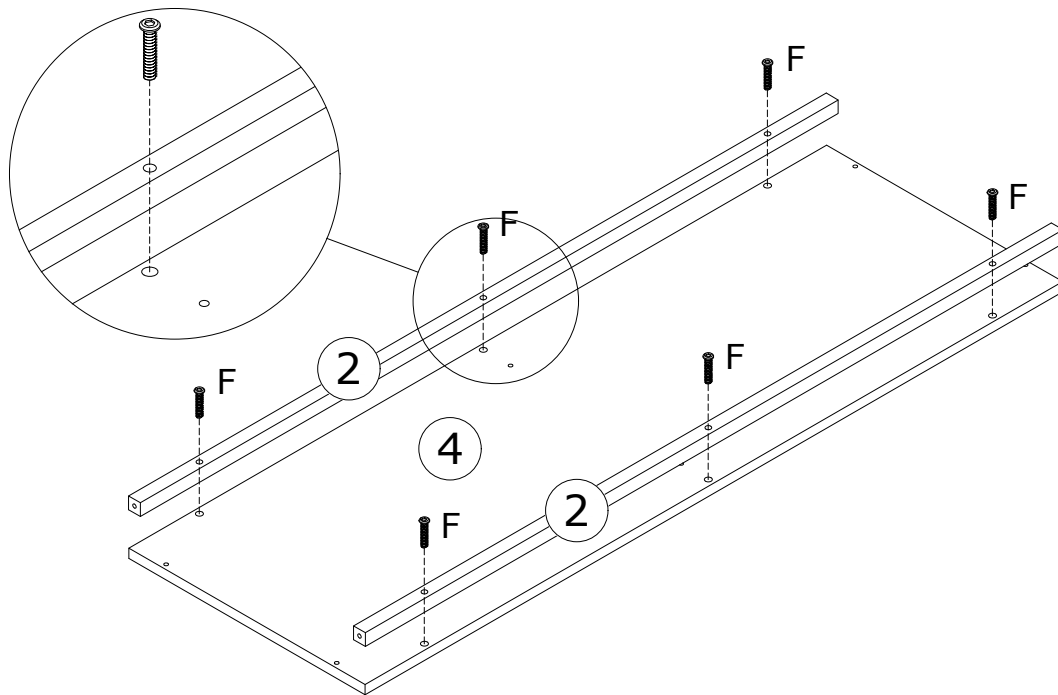


6 PCS

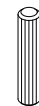
The side with the small holes on the back for mounting the back plate.



11



C Ø8x40



3 PCS

D M5x40

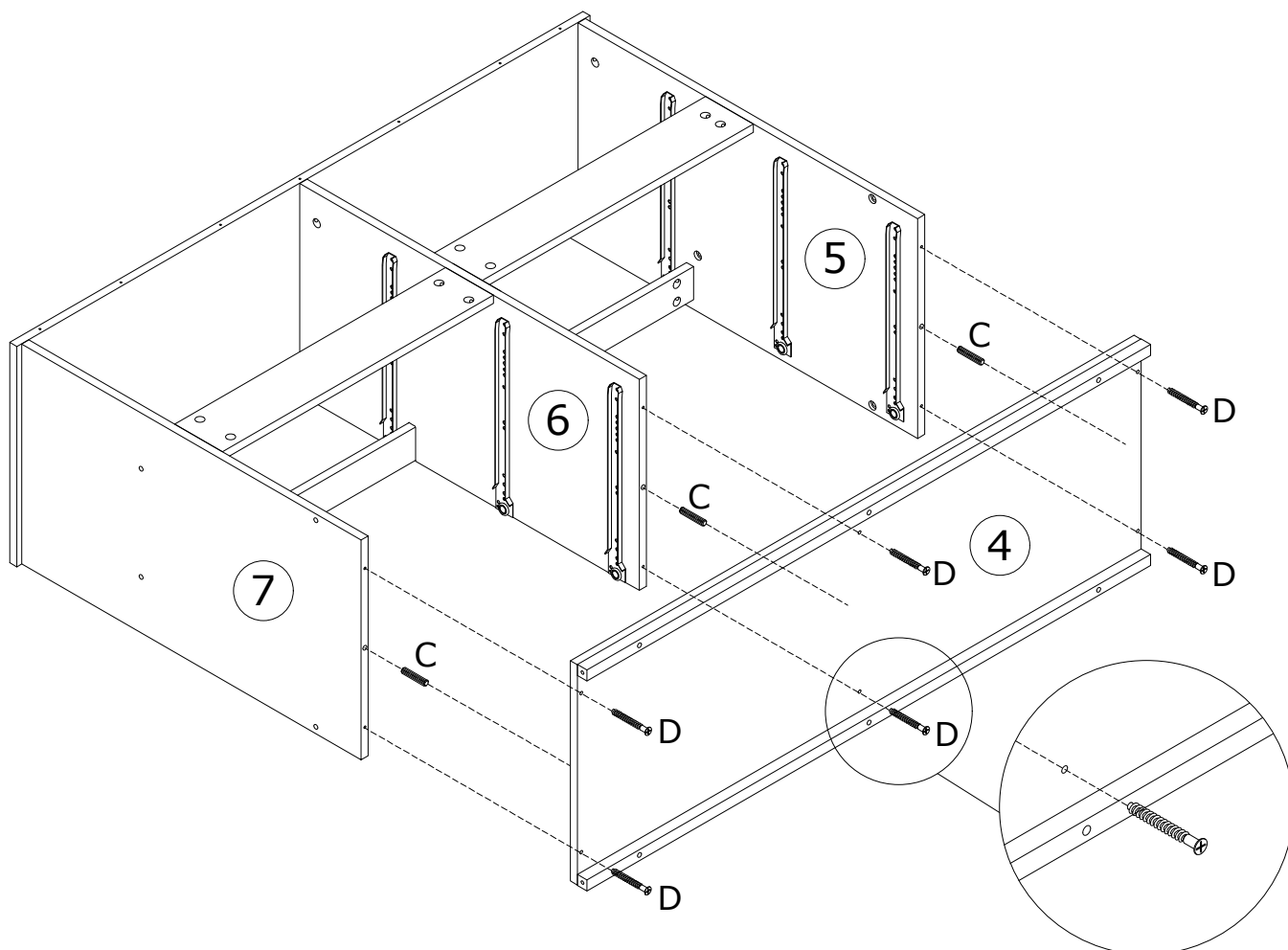


6 PCS

F M6x30



6 PCS

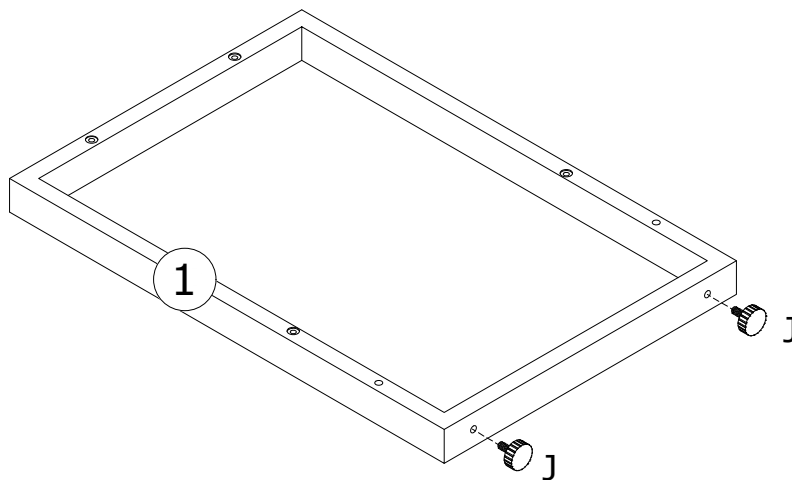


12

J M6XØ28



4 PCS



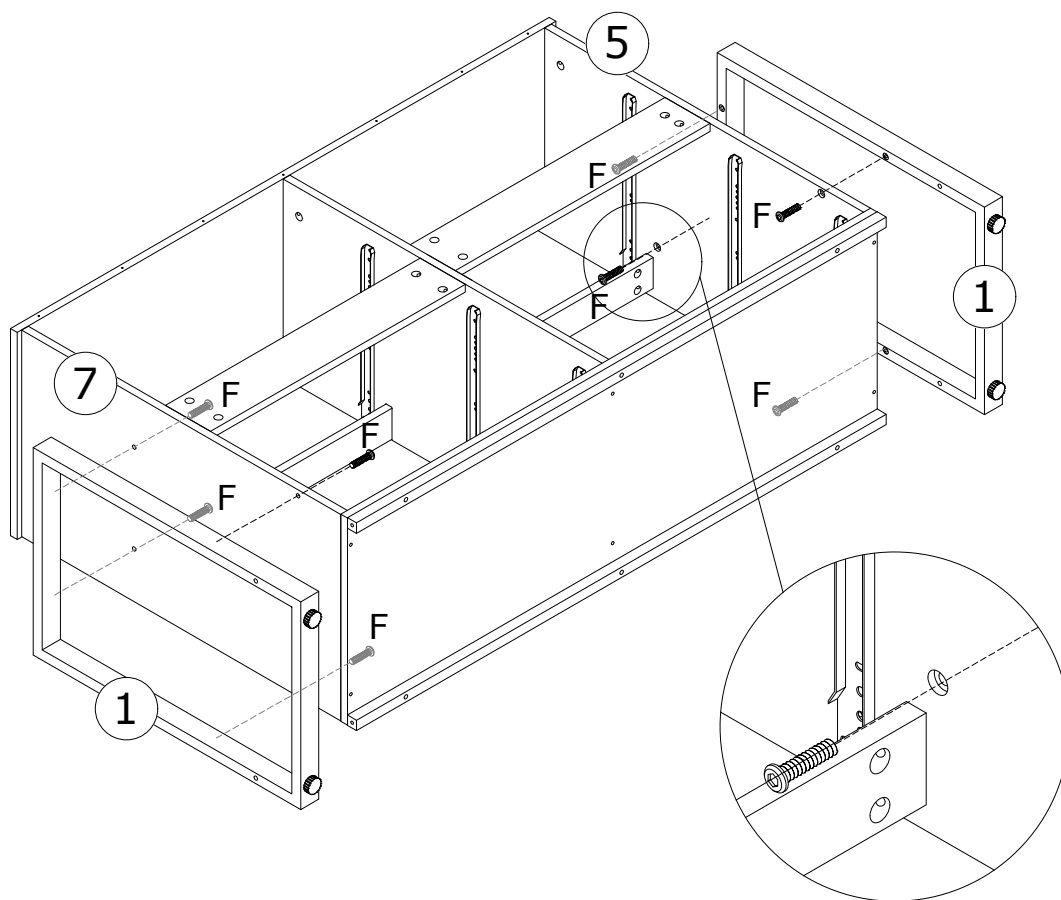
X 2

13

F M6x30

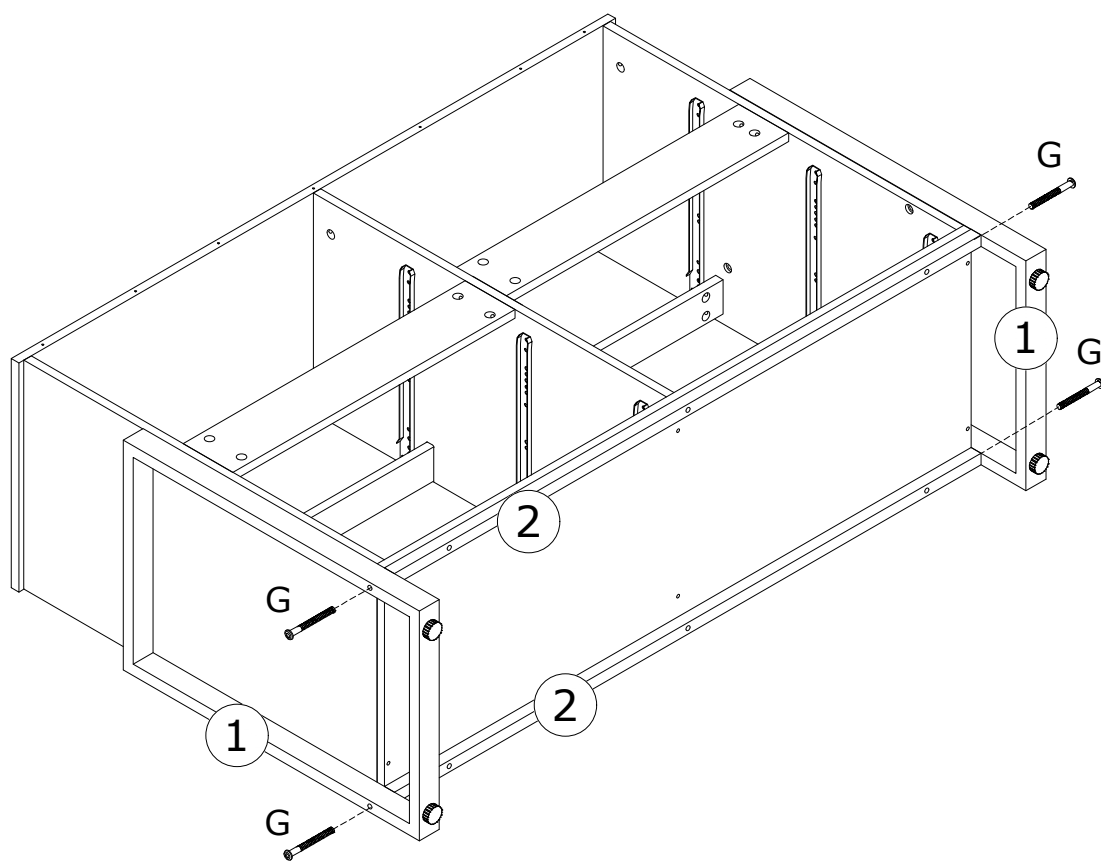


8 PCS



14

G M6x70  
4 PCS



15

Let's put the dresser down first,  
then tighten the screws from top to bottom.

E M3.5x14

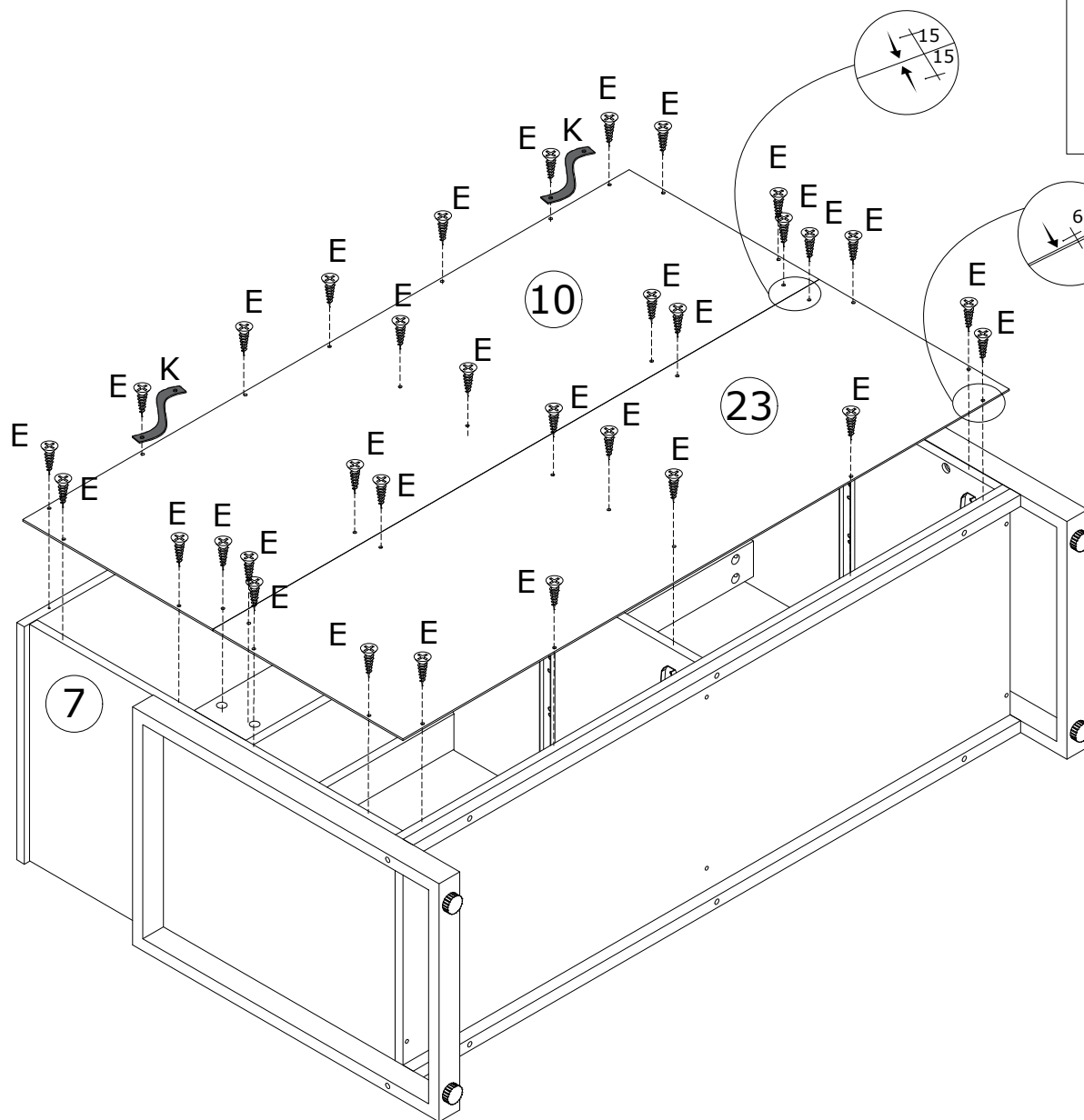


32 PCS

K

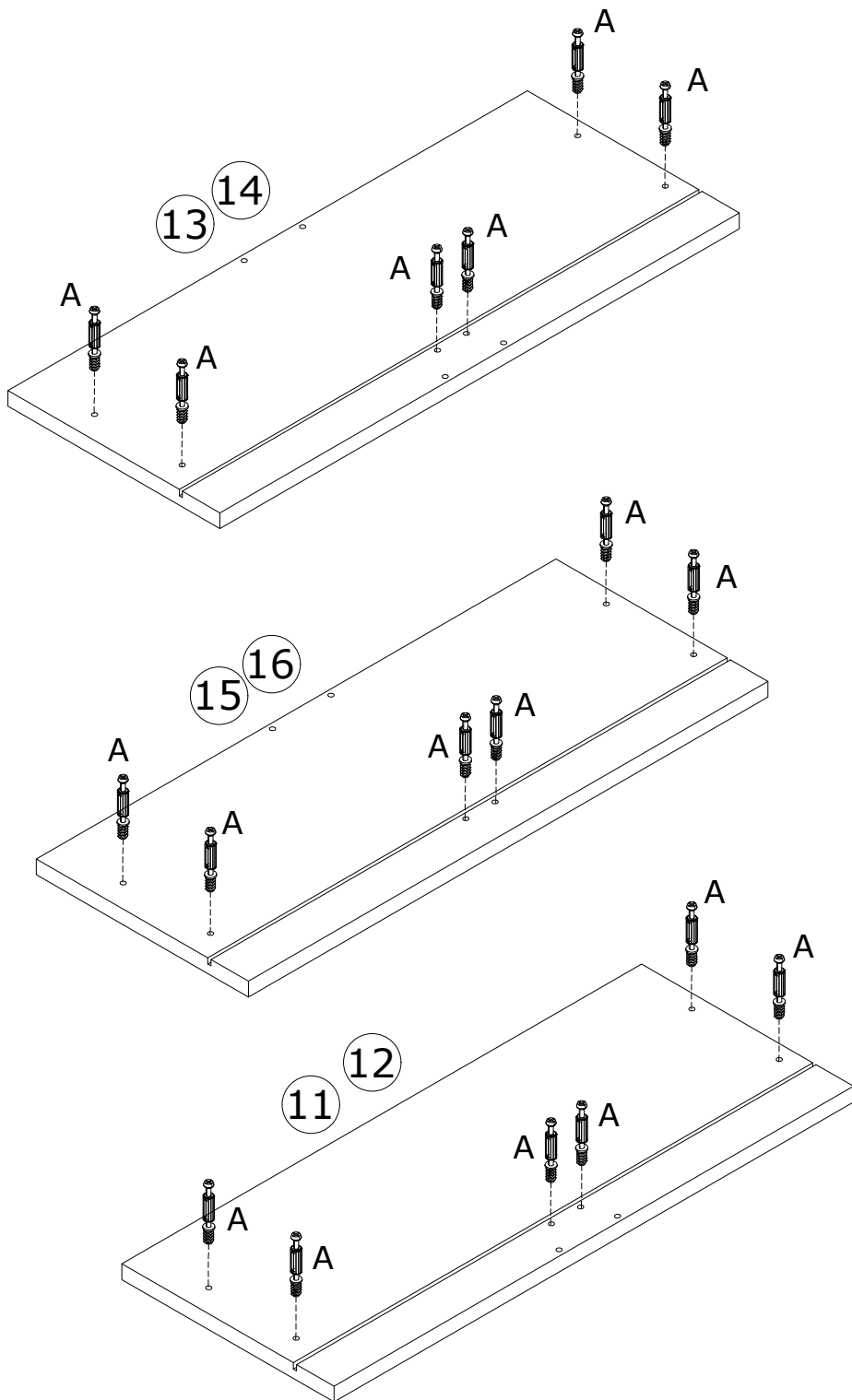
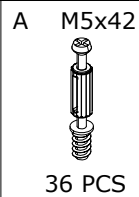


1 SETS



16

All the drawers are not the same, and getting them mixed up will cause the drawers stick out and remain open can NOT close shut. Please follow the instructions to put them in the right place.

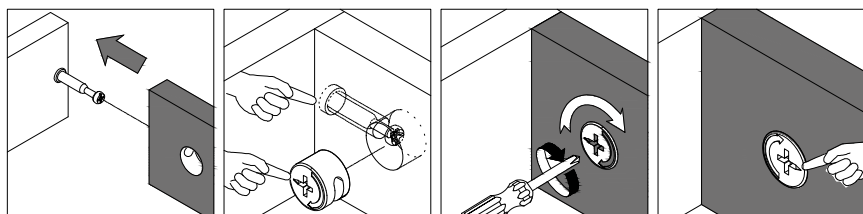
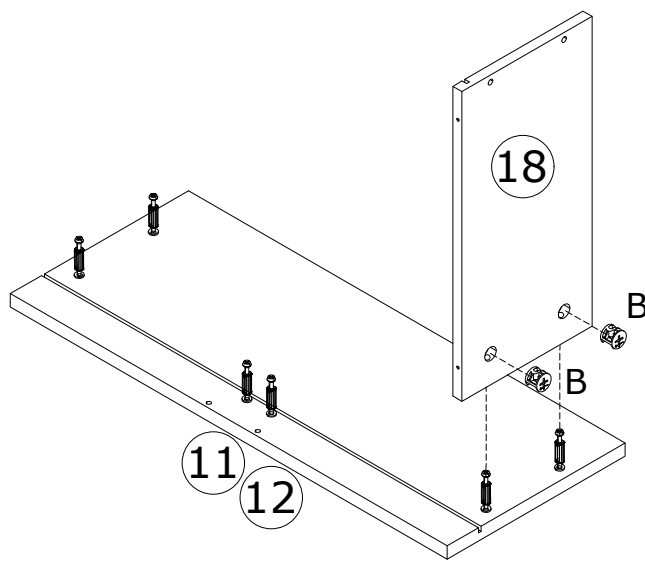
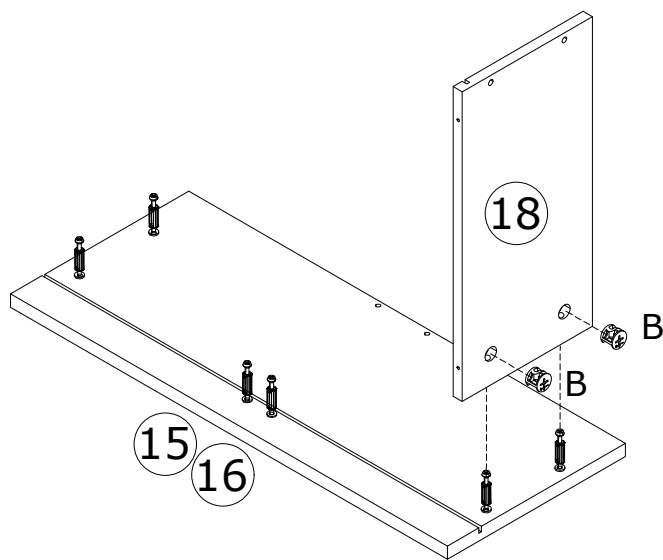
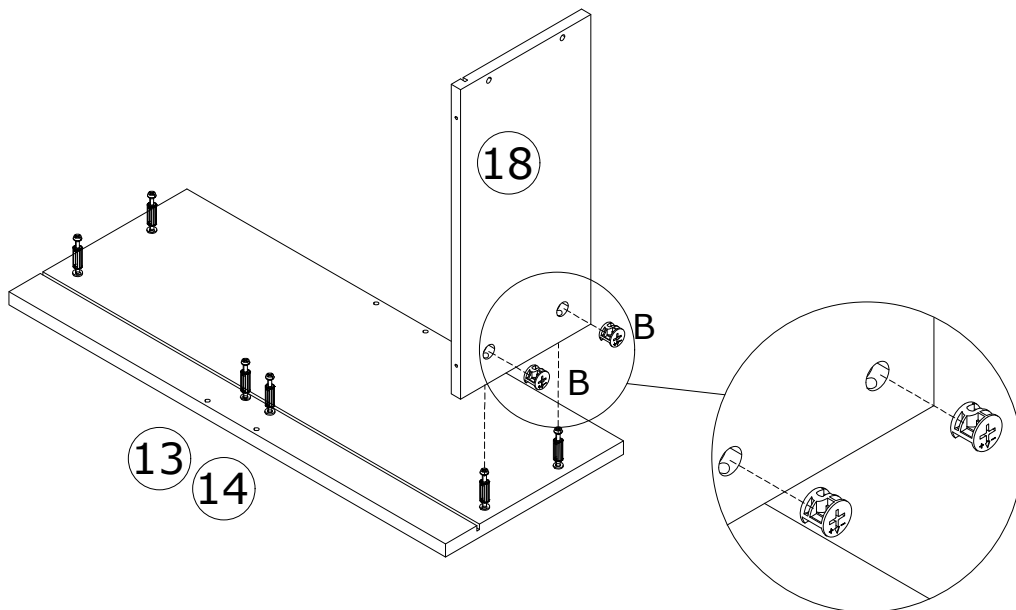


17

B Ø15x10



12 PCS

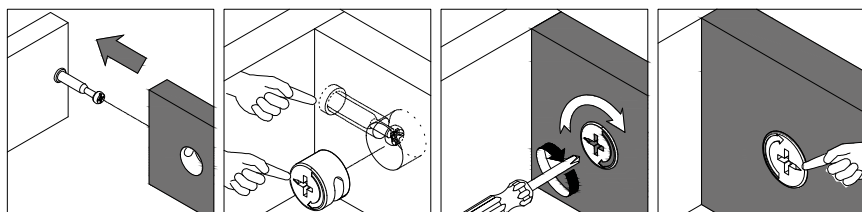
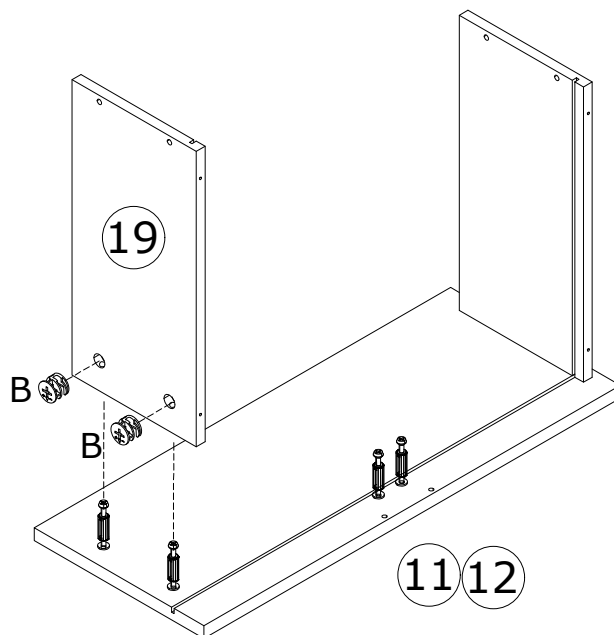
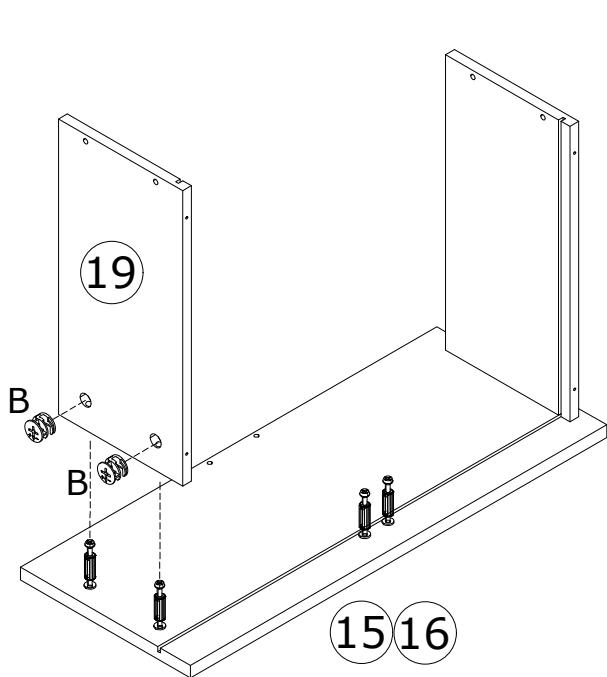
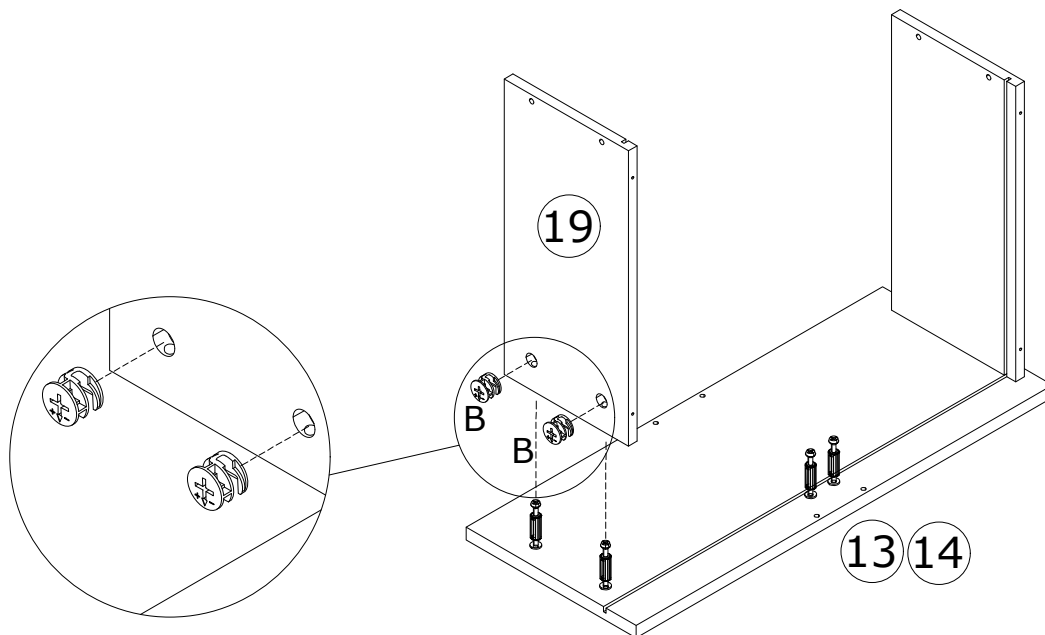


18

B Ø15x10



12 PCS

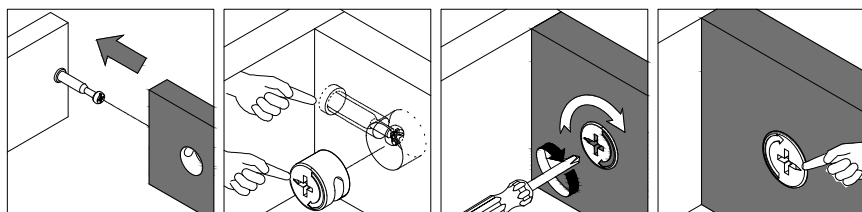
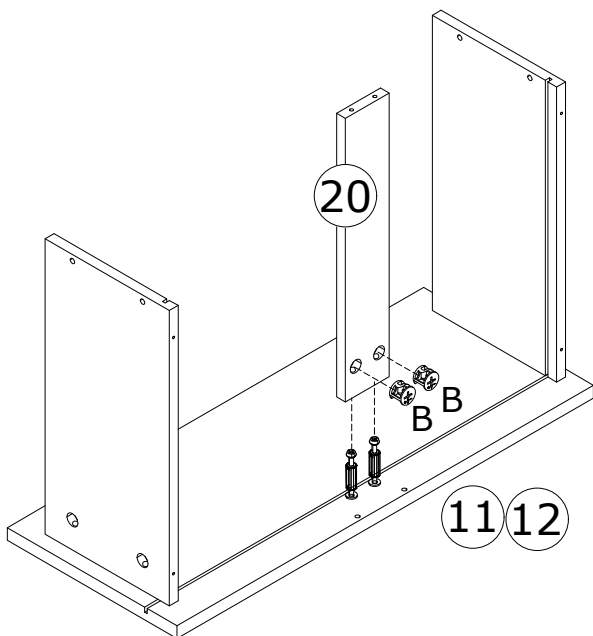
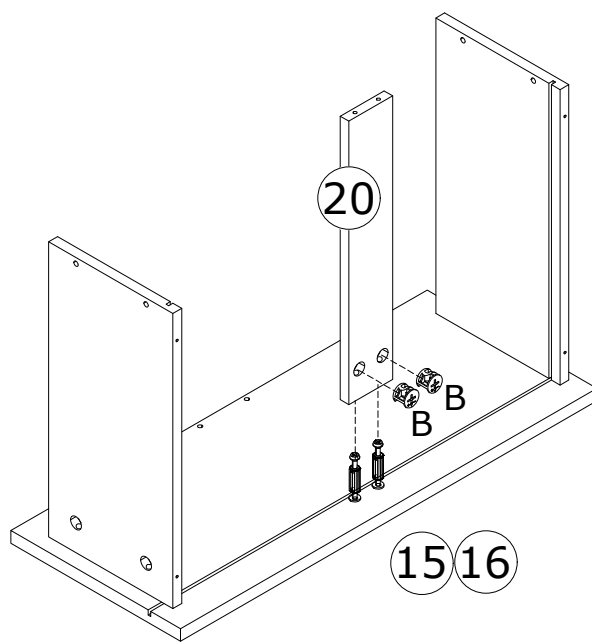
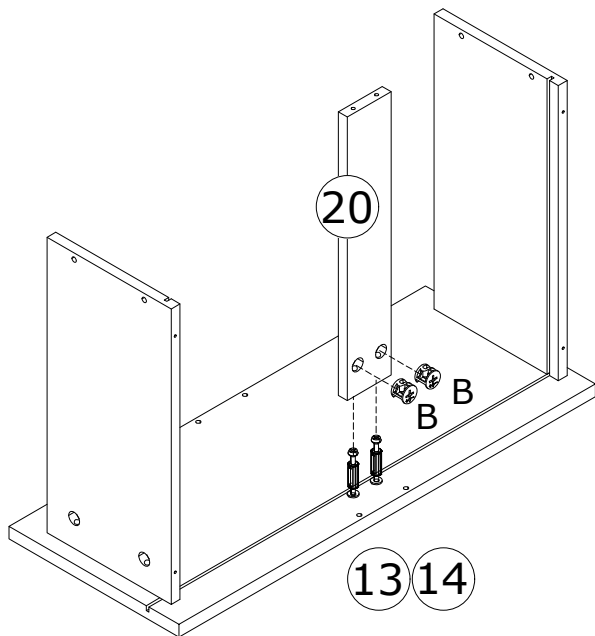


19

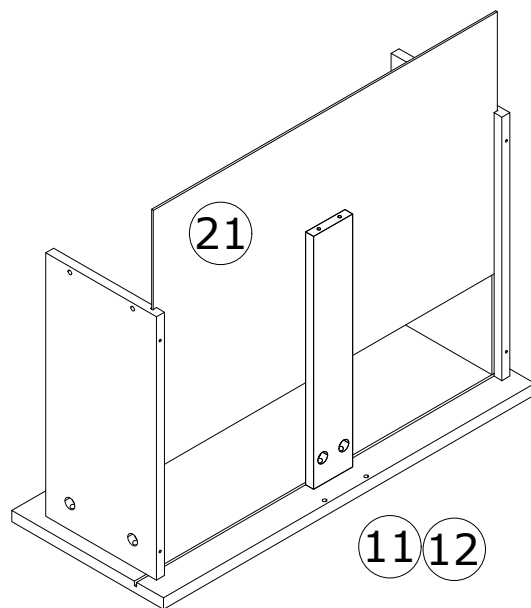
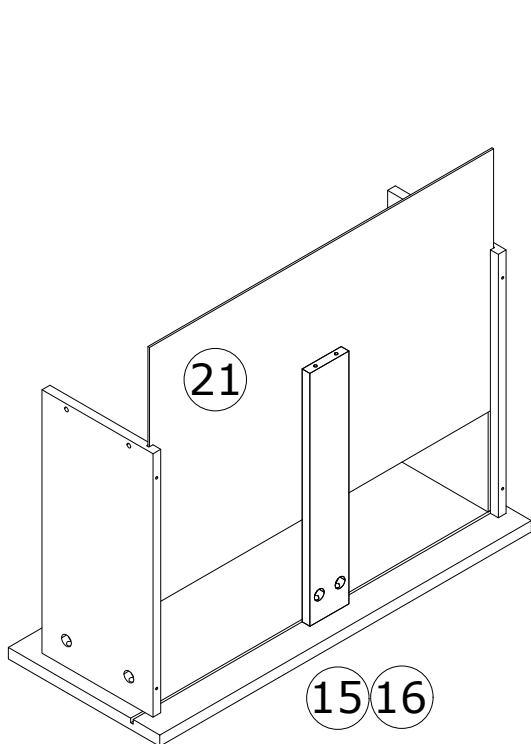
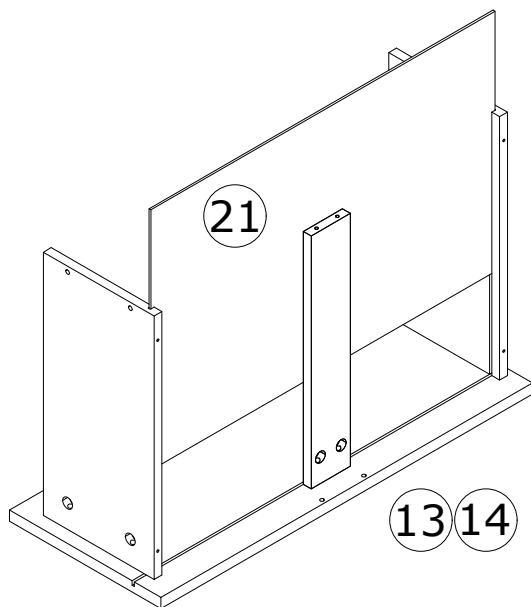
B Ø15x10



12 PCS



20



21

D M5x40



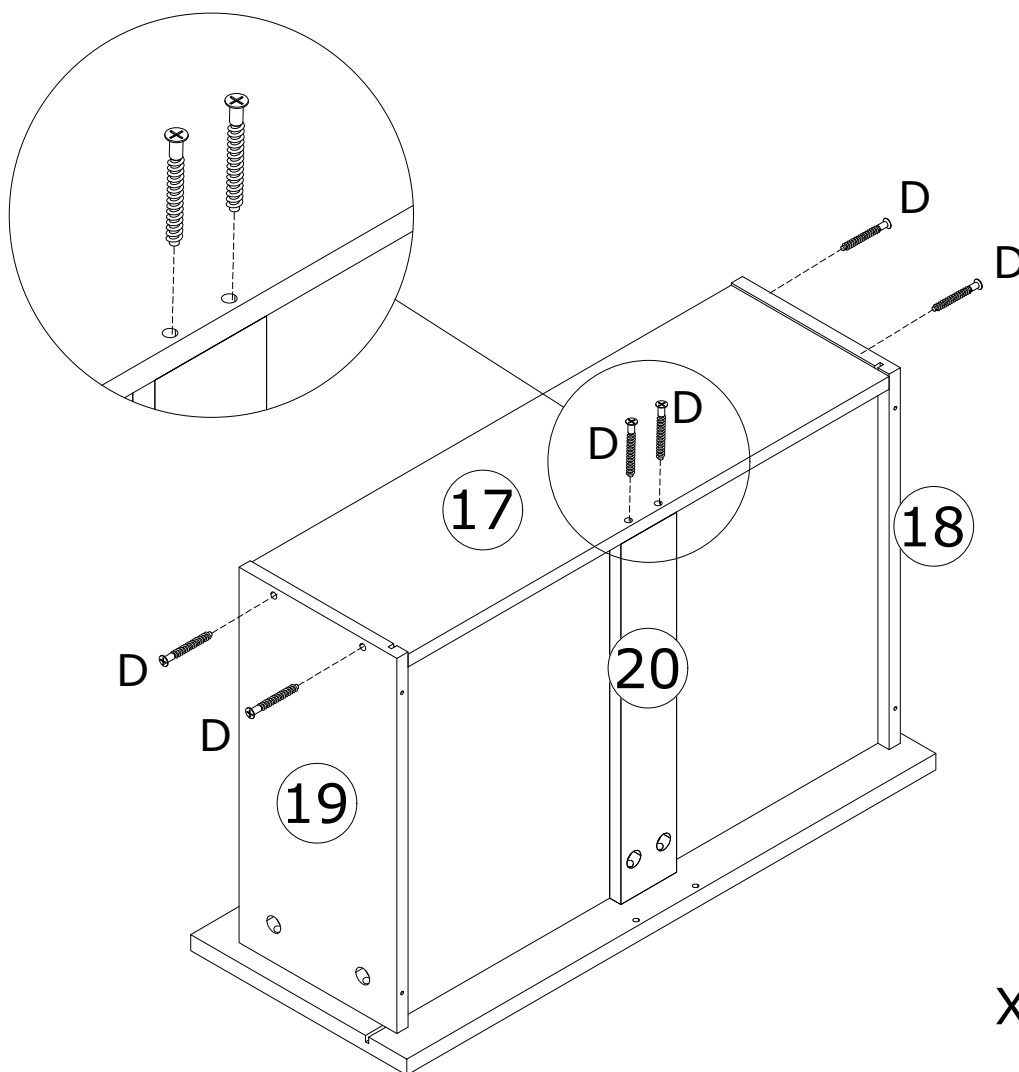
36 PCS

Align the board with the pre-drilled holes first,  
then tighten the screws.

Screw (D) to (17) to attach (20) as below shown

Screw (D) to (19) to attach (17) as below shown

Screw (D) to (18) to attach (17) as below shown



22

H M4x15



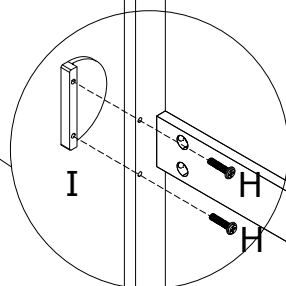
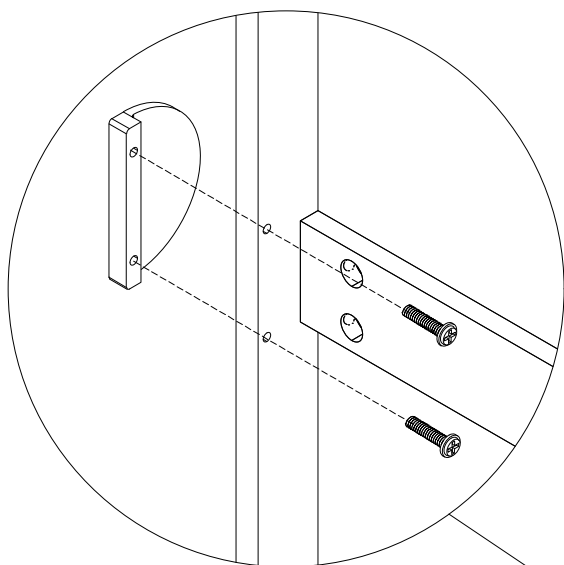
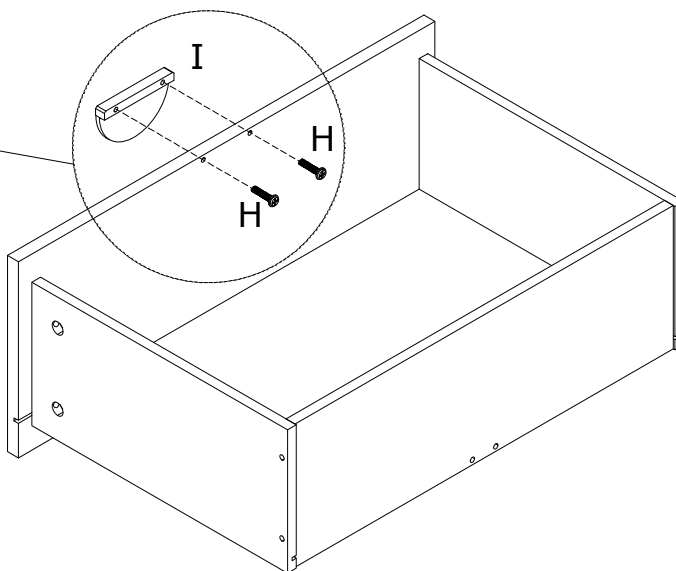
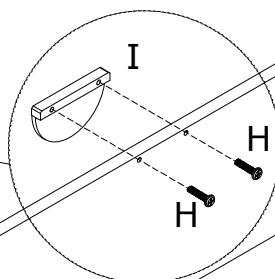
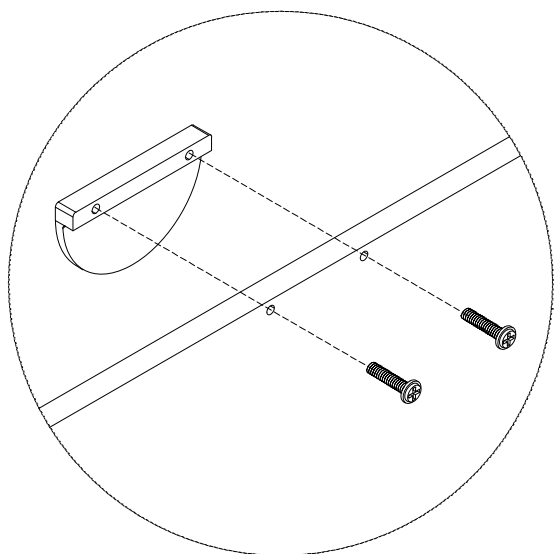
16 PCS

I Ø95\*64

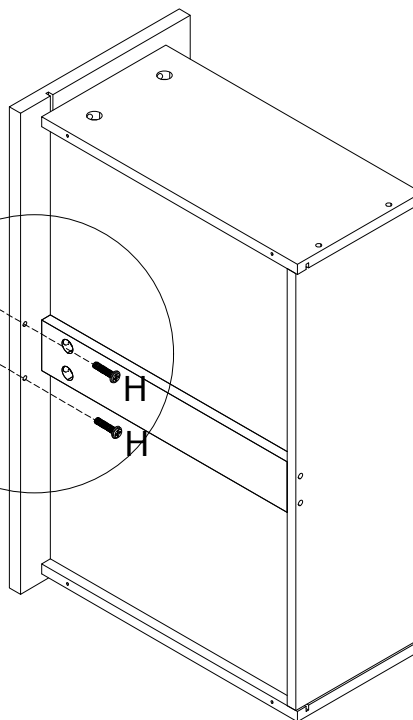


8 PCS

13 14 15 16



11 12 13 14

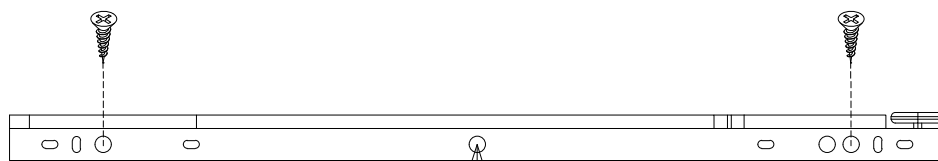


23

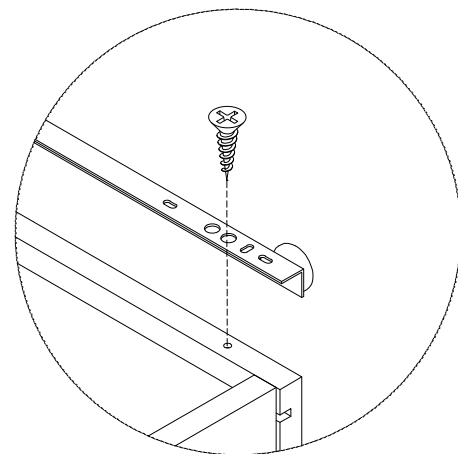
E M3.5x14



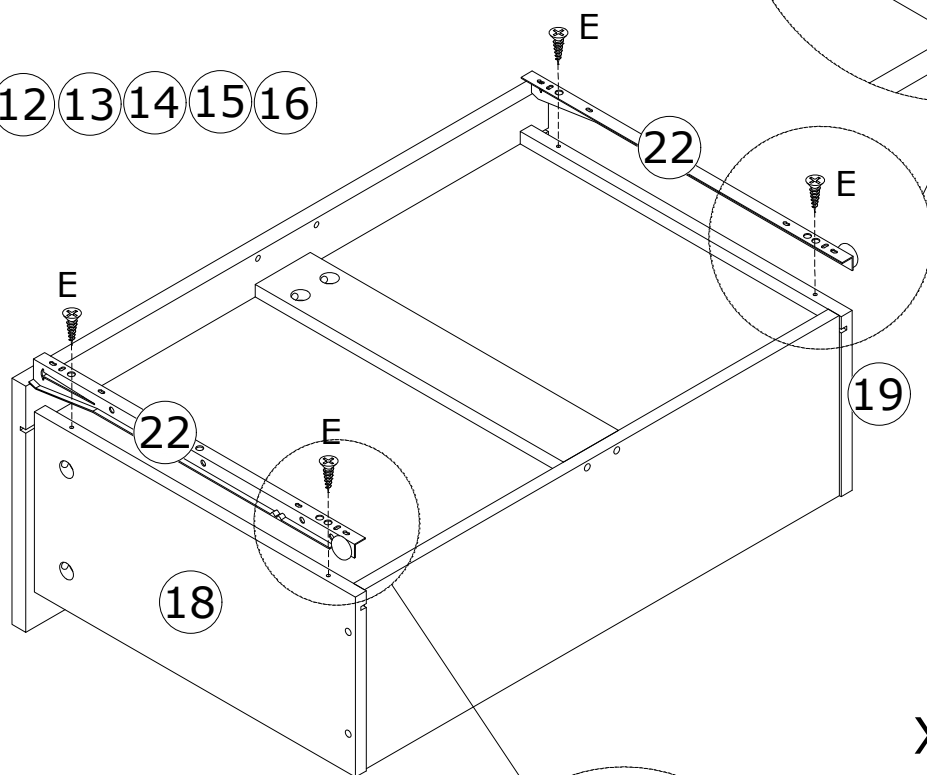
36 PCS



After the two screws under the slide are fixed, and then screw in this position.

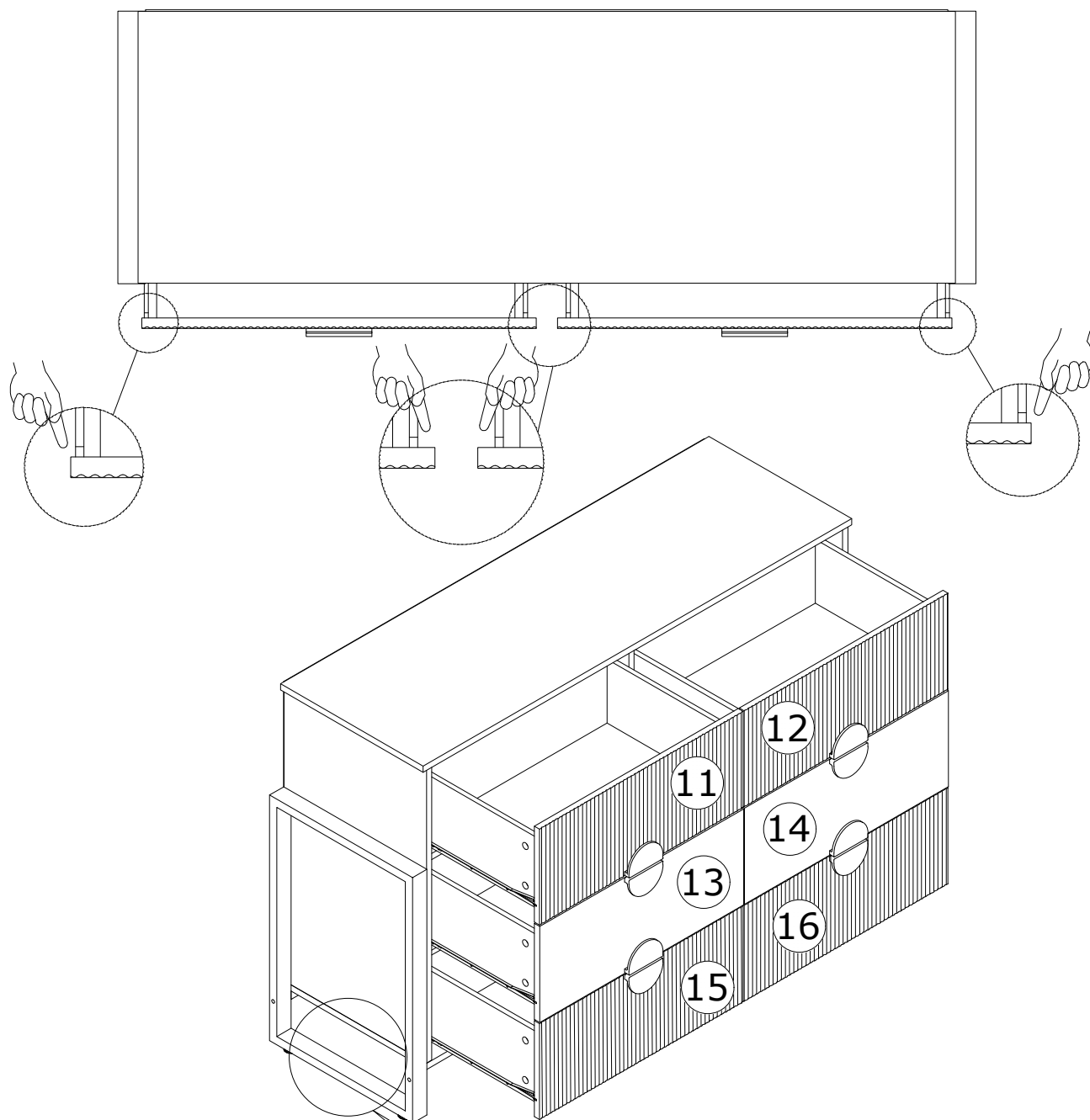


11 12 13 14 15 16

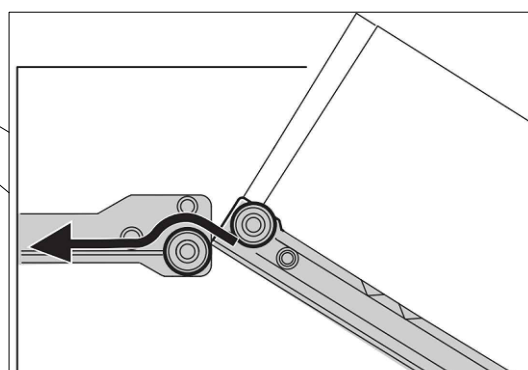


X 6

24



All the drawers are not the same, and getting them mixed up will cause the drawers stick out and remain open can NOT close shut. Please follow the instructions to put them in the right place.



25

