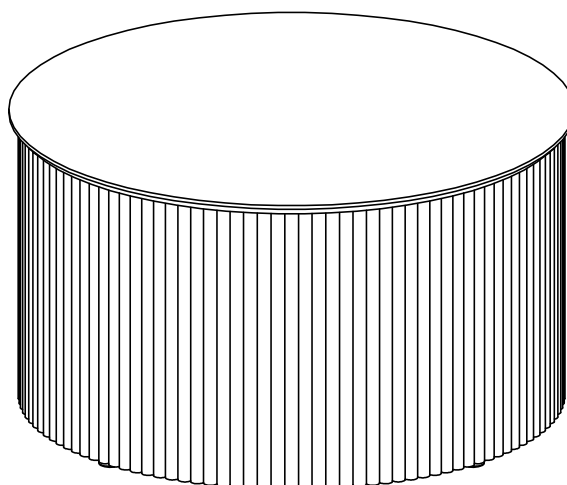
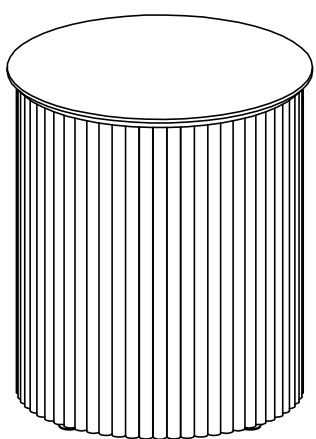


Installation Instruction



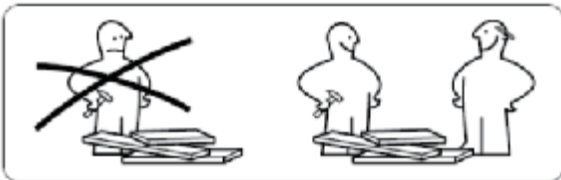
Assembling

What you need

- Use the packaging carton as a working surface to prevent product damage during assembly

Weight Limitation

 **100** | **35**
lbs table top lbs per



What' included

Code Description	Qty
A Screw M6X25MM	8
B Screw M6X12MM	32
C Adjustable Leveler	8
D Wrench M4X55MM	1

The Hardwares

Ⓐ



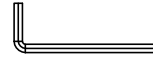
Ⓑ



Ⓒ



Ⓓ



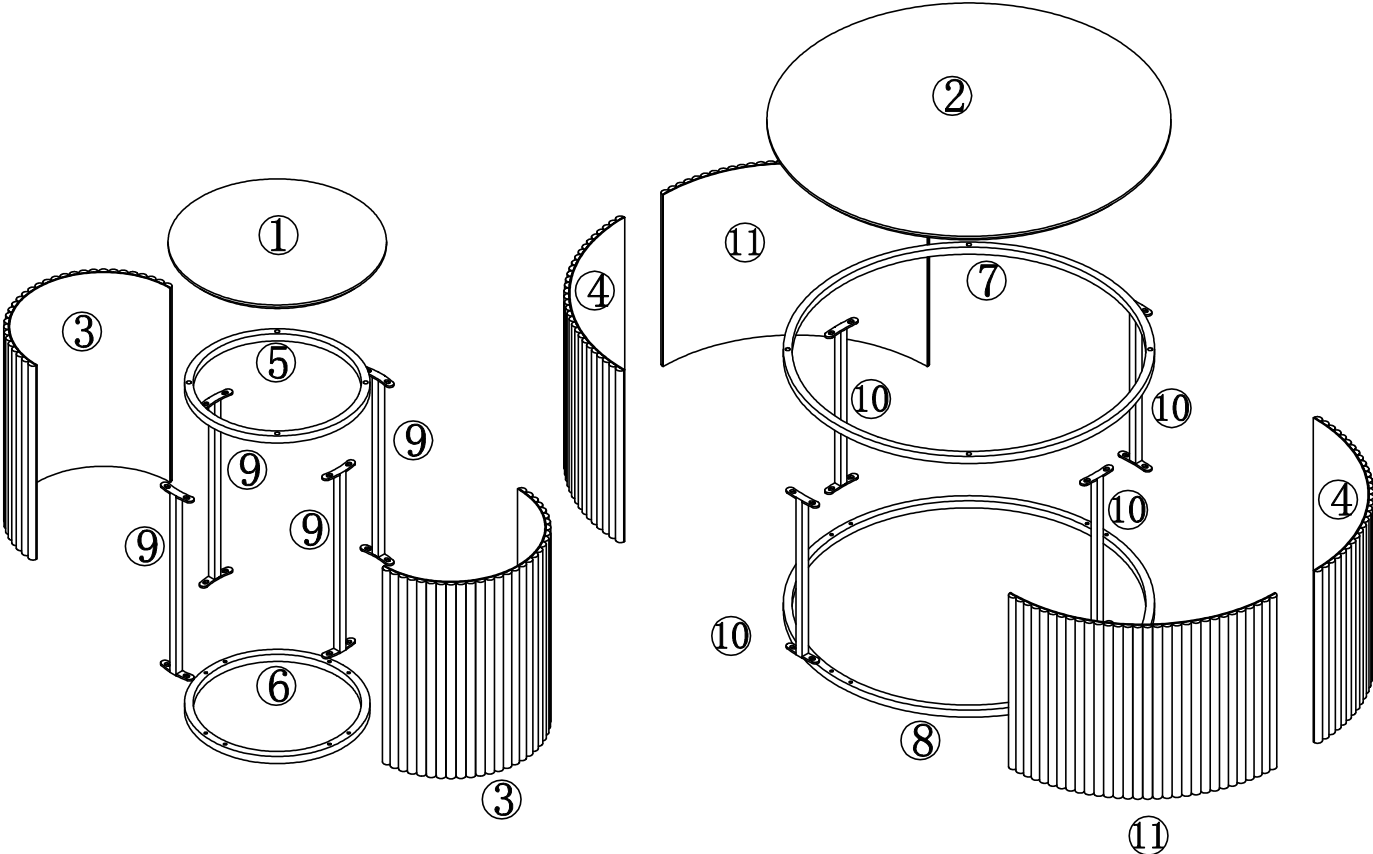
IMPORTANT:

1. Do not tighten bolts / screws completely until all bolts / screws are lined up and inserted into holes.
2. Do not over tighten screws and bolts to avoid stripping
3. Please use hand tools to assemble this product, you can also use power tools (please use power tools carefully)



Included Accessories

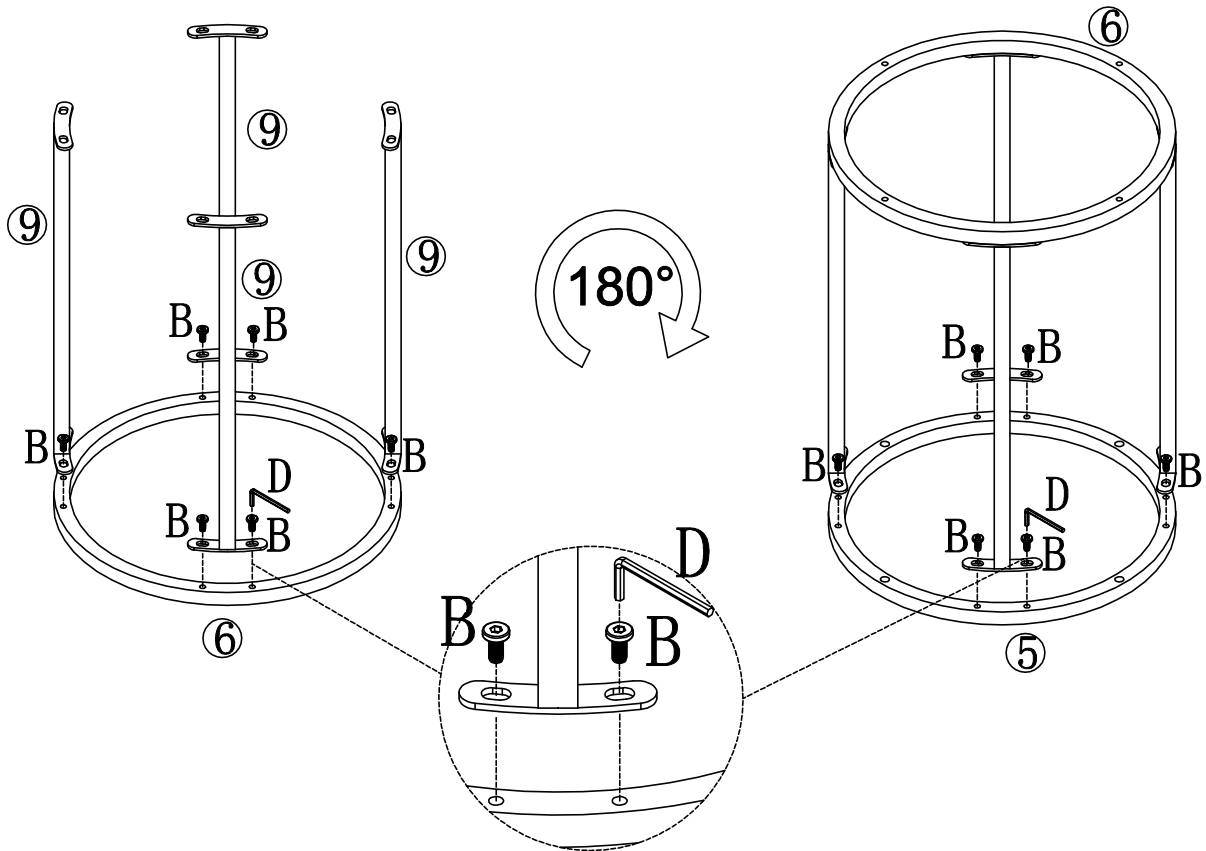
Code	Description	Qty
1	Small circular panel	1
2	Great circle panel	1
3	Wide sideboard	2
4	Narrow and long sideboard	2
5	Small circle on the frame	1
6	Small circle under frame	1
7	Big circle on the frame	1
8	Big circle under frame	1
9	Small round support rod	4
10	Large round support rod	4
11	Narrow and short sideboard	2

The Accessoriess





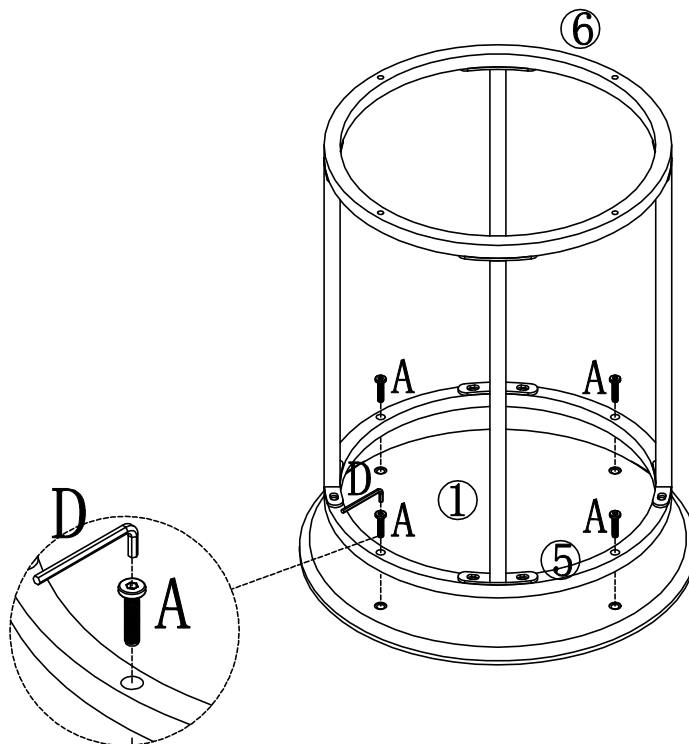
Step 1

B	x 16	D	x 1
			

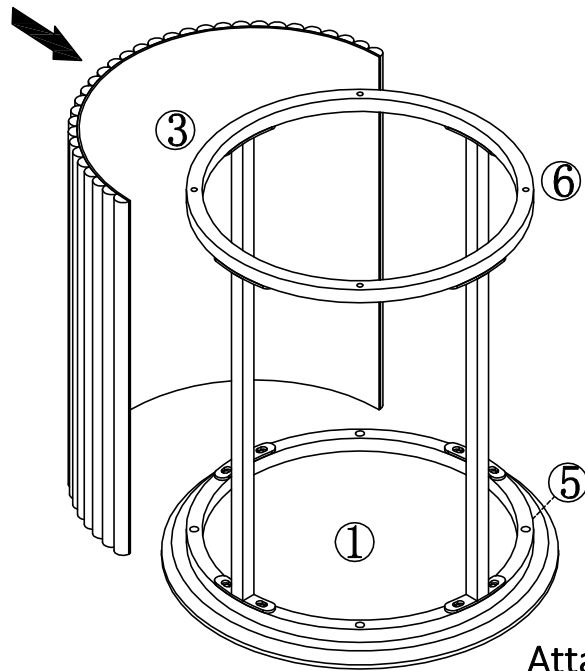


Step 2

A	x 4	D	x 1
			

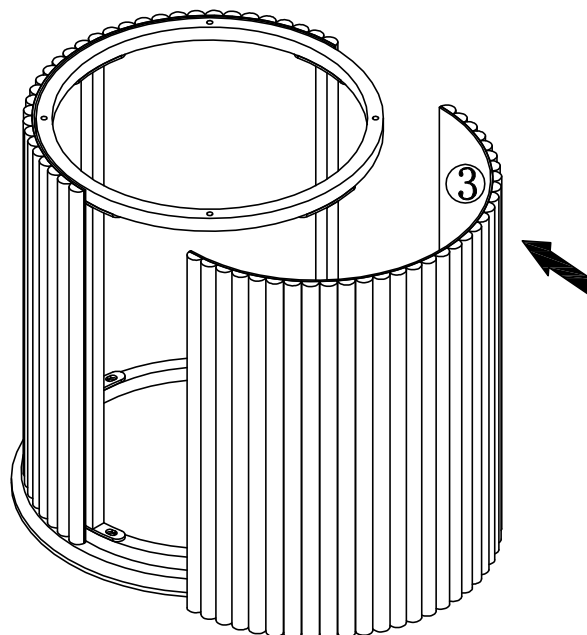


Step 3

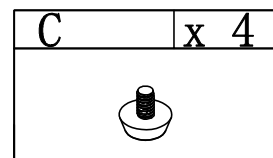
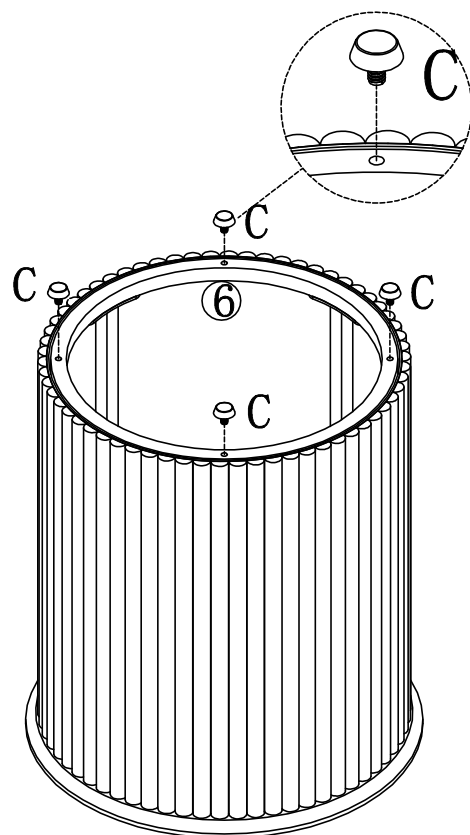


Attach Board 3 neatly to the Velcro of iron 5 and 6
(Attention: Please fully stretch Board 3 and then stick it tightly along the Velcro to avoid gaps that affect the appearance. If there are obvious gaps, tear them off and stick them again.)

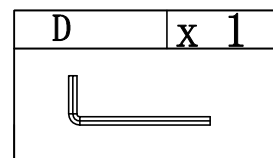
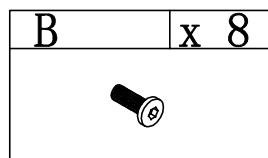
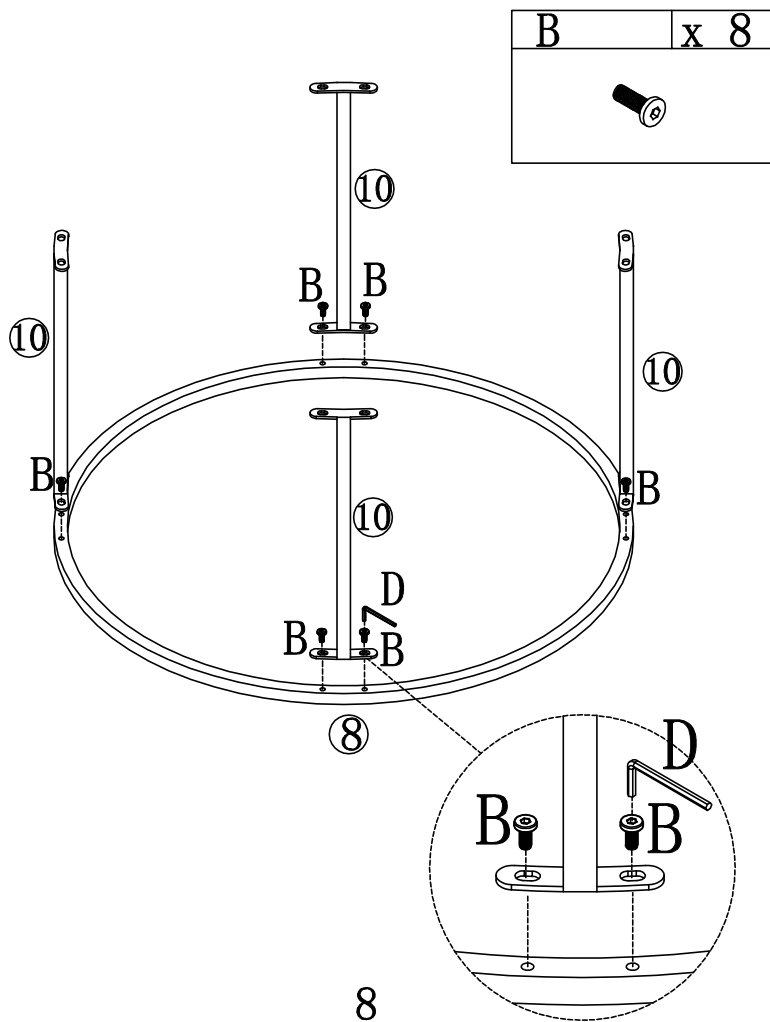
Step 4




Step 5




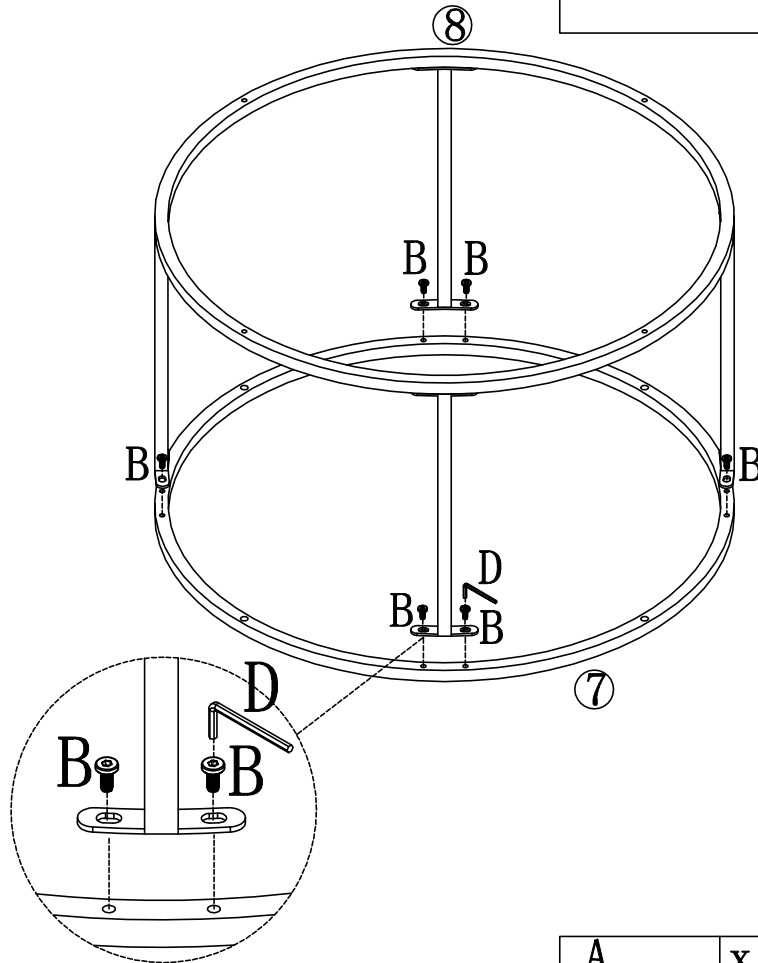
Step 6




Step 7


B	x 8
	

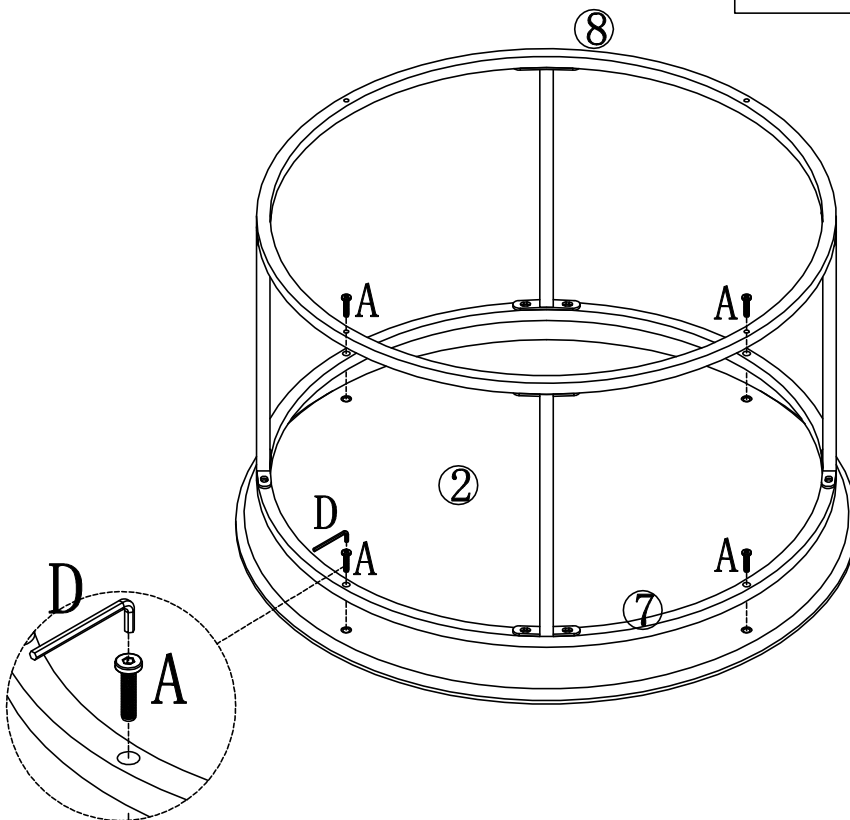
D	x 1
	



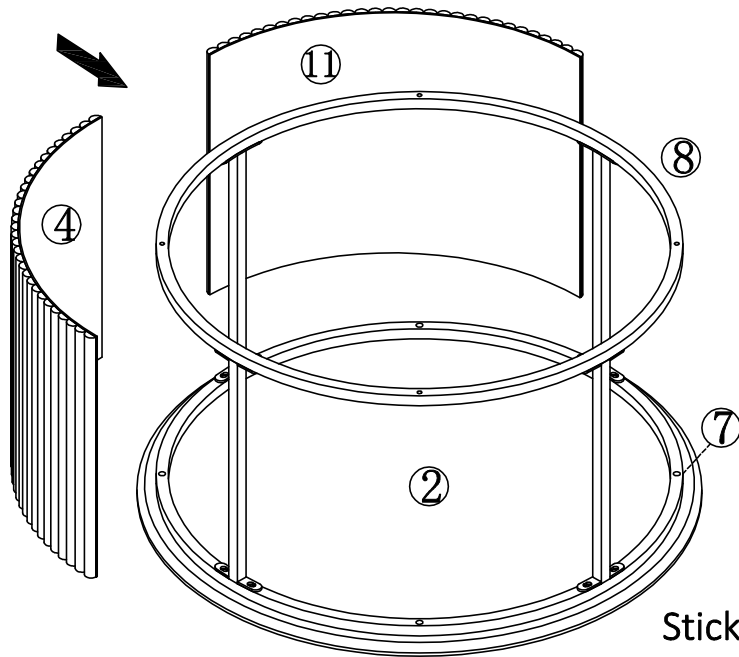
Step 8

A	x 4
	

D	x 1
	

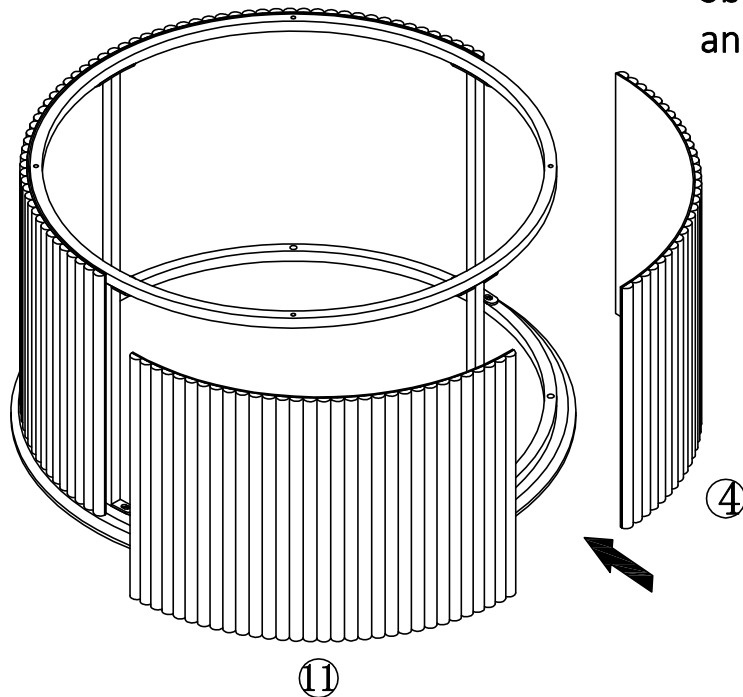


Step 9

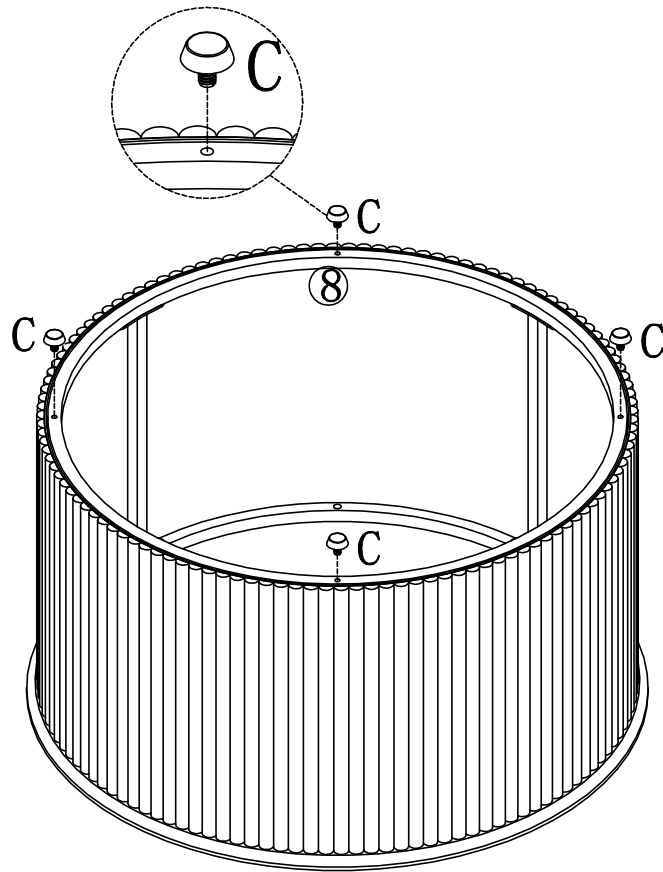


Stick the No. 4 plate and No. 11 plate neatly onto the Velcro of No. 7 iron and No. 8 iron. (Note: Please fully stretch the No. 4 and No. 11 boards before tightening them with Velcro to avoid gaps that may affect the appearance.)" If there are obvious gaps, tear them off and re-stick them.

Step 10



Step 11



Step 12

