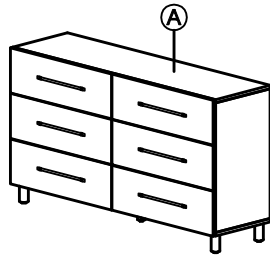


ASSEMBLY INSTRUCTIONS

PARTS PACKING CONFIGURATIONS

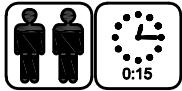
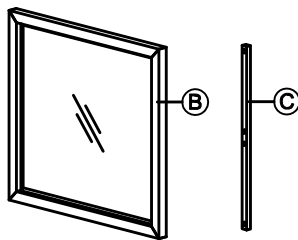
BOX #1

A. DRESSER(SOLD SEPARATELY): 1PC



BOX #2

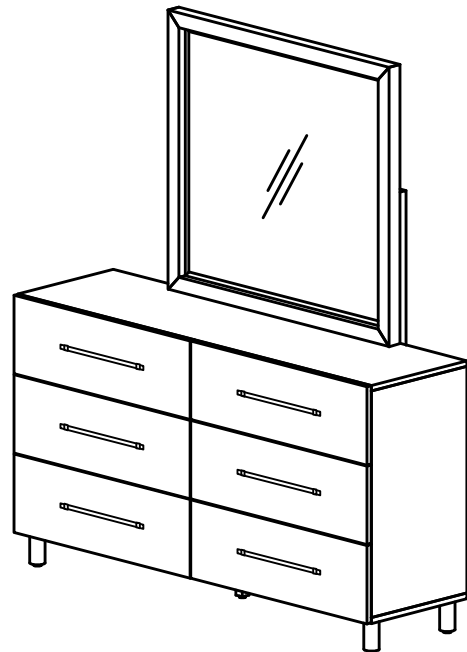
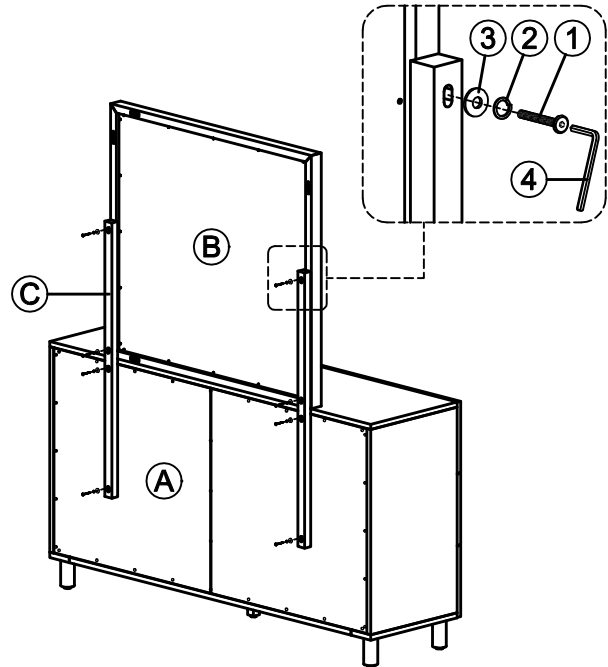
B. MIRROR: 1PC
C. SUPPORT BAR: 2PCS
*MIRROR HARDWARE PACK



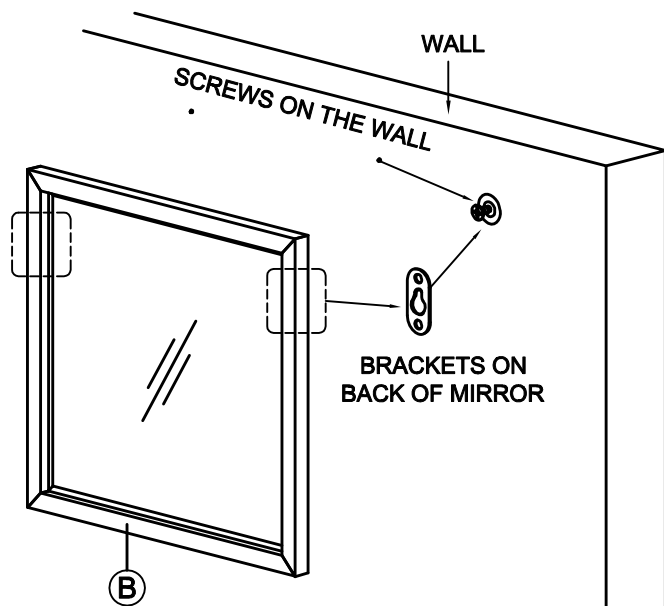
HARDWARE PACKED IN BOX #2

1	ALLEN BOLT (6x45mm)		8PCS
2	SPRING WASHER (M8)		8PCS
3	FLAT WASHER (M8)		8PCS
4	ALLEN KEY		1PC

OPTION 1 : ATTACHING MIRROR TO DRESSER



OPTION 2 : ATTACHING MIRROR TO WALL



MOUNTING HARDWARE IS NOT INCLUDED.

TOOL REQUIRED :
PHILLIPS-HEAD SCREW DRIVER (NOT PROVIDED)

