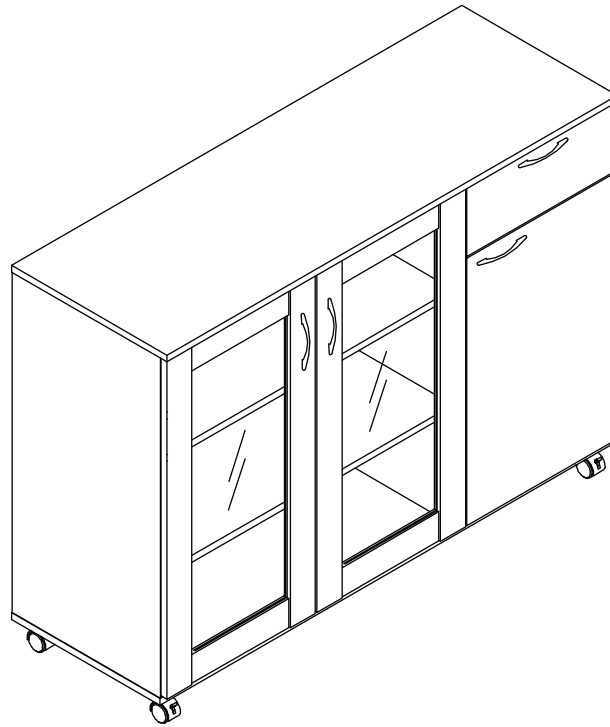


ASSEMBLY INSTRUCTIONS


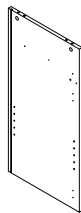
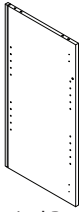
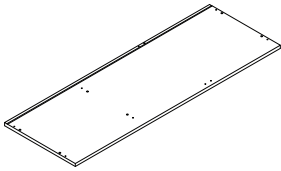
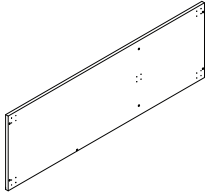
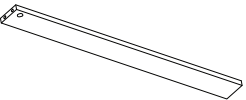
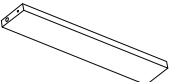
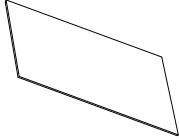
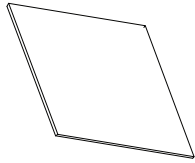
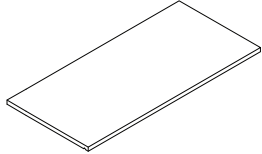
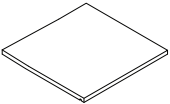
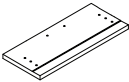
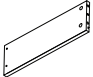
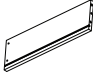
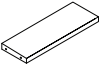
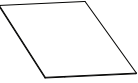
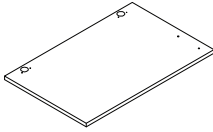
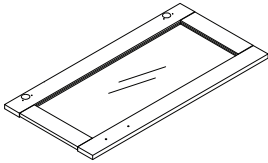
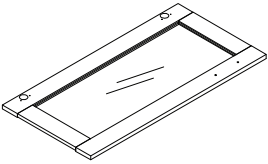
KITCHEN CART



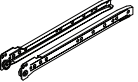



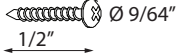


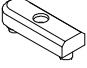
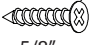
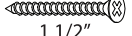



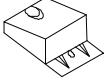


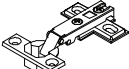
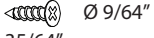

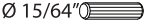
NOTE TO CUSTOMERS:

- For ease and speed of assembly we recommend that before you commence each step of the assembly that you identify all the parts required to complete that step.
- We recommend that where possible you allow sufficient space to assemble the item as close as possible to the place where it will be once assembled.
- For the protection of your furniture we recommend that the product is placed on a dry, soft, smooth and clean surfaces during assembly to prevent any damage. Avoid damp and direct sunlight.
- During assembly do not over tighten the screws or bolts, as this may damage the product.
- Please ensure you retain all the product packaging until the item is completely assembled.
- Periodically check all fitting and re-tighten as necessary.
- Never allow any liquids to remain on your furniture as absorption can cause the wood to warp or finish to de-laminate.
- It is recommended that this item should be assembled by two adults.



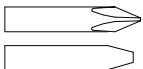

PARTS IDENTIFICATION

<p>P1 Quantity: 1</p>  <p>Side Panel-Left</p>	<p>P2 Quantity: 1</p>  <p>Side Panel-Right</p>	<p>P3 Quantity: 1</p>  <p>Center Vertical Panel</p>	<p>P4 Quantity: 1</p>  <p>Cart Top Panel</p>	<p>P5 Quantity: 1</p>  <p>Cart Base Panel</p>
<p>P6 Quantity: 1</p>  <p>Rear Vertical support Bar</p>	<p>P7 Quantity: 1</p>  <p>Divider Rail</p>	<p>P8 Quantity: 1</p>  <p>Back Panel- Small</p>	<p>P9 Quantity: 1</p>  <p>Back Panel- Large</p>	<p>P10 Quantity: 2</p>  <p>Shelf Panel- Large</p>
<p>P11 Quantity: 1</p>  <p>Shelf Panel- Small</p>	<p>P12 Quantity: 1</p>  <p>Drawer Front Panel</p>	<p>P13 Quantity: 1</p>  <p>Drawer Side Panel-Left</p>	<p>P14 Quantity: 1</p>  <p>Drawer Side Panel-Right</p>	<p>P15 Quantity: 1</p>  <p>Drawer Back Panel</p>
<p>P16 Quantity: 1</p>  <p>Drawer Base Panel</p>	<p>P17 Quantity: 1</p>  <p>Door Panel</p>	<p>P18 Quantity: 1</p>  <p>Framed Glass Door-Left</p>	<p>P19 Quantity: 1</p>  <p>Framed Glass Door-Right</p>	

HARDWARE LIST

<p>H1 Drawer Slide</p>  <p>Quantity: 1 set</p>	<p>H2 Screw for Drawer Slide m4 x 12</p>  <p>Quantity: 12 pcs</p>	<p>H3 Castor with Stopper</p>  <p>Quantity: 2 pcs</p>	<p>H4 Castor</p>  <p>Quantity: 3 pcs</p>	<p>H5 Pan Head screw for Castor m3.5 x 12</p>  <p>Quantity: 20 pcs</p>
<p>H6 Door Handle</p>  <p>Quantity: 4 pcs</p>	<p>H7 Pan Head screw for Handle #6 x 20</p>  <p>Quantity: 8 pcs</p>	<p>H8 PVC Door Stopper</p>  <p>Quantity: 1 pc</p>	<p>H9 Screw for Door Stopper m3.5 x 16</p>  <p>Quantity: 1 pc</p>	<p>H10 Screw #9 x 1 1/2"</p>  <p>Quantity: 13 pcs</p>
<p>H11 Connecting Bolts</p>  <p>Quantity: 11 pcs</p>	<p>H12 Cam Lock 15/12.5mm</p>  <p>Quantity: 6 pcs</p>	<p>H13 Cam Lock 12/9.5mm</p>  <p>Quantity: 5 pcs</p>	<p>H14 Corner Wedges</p>  <p>Quantity: 10 pcs</p>	<p>H15 Screw for Wedges m3 x 20</p>  <p>Quantity: 10 pcs</p>
<p>H16 Door Hinges 5/8"</p>  <p>Quantity: 4 sets</p>	<p>H17 Door Hinges 2/8"</p>  <p>Quantity: 2 sets</p>	<p>H18 Screw for Hinges m3.5 x 14</p>  <p>Quantity: 24 pcs</p>	<p>H19 Wooden Dowel m8 x 25mm</p>  <p>Quantity: 14 pcs</p>	<p>H20 Wooden Dowel m6x 25mm</p>  <p>Quantity: 4 pcs</p>

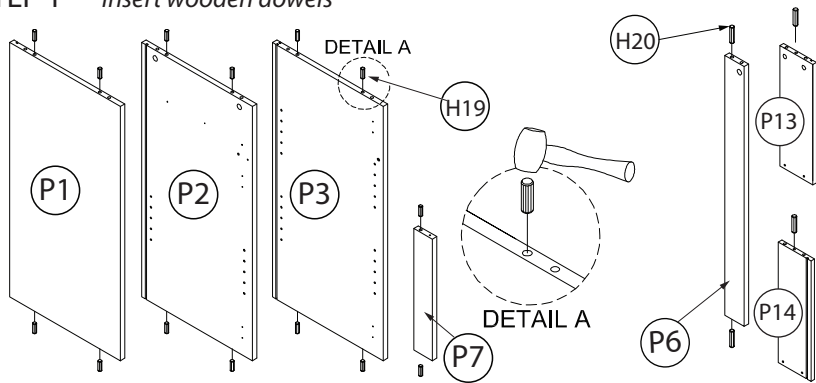
TOOLS REQUIRED

<p>H21 Shelve Support Pin</p>  <p>Quantity: 14 pcs</p>	<p>H22 Sticker</p>  <p>Quantity: 2 pcs</p>	 <p>Household screw driver</p>	 <p>Mallet</p>
---	---	---	---

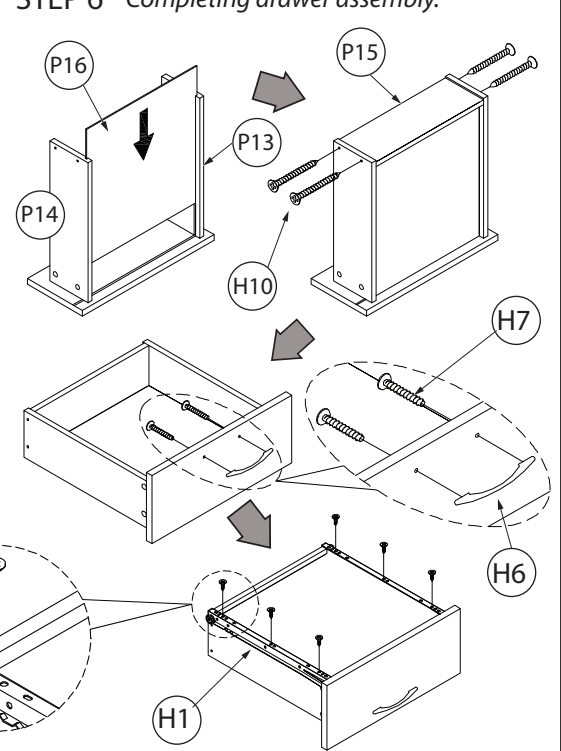
ASSEMBLY INSTRUCTIONS

KITCHEN CART

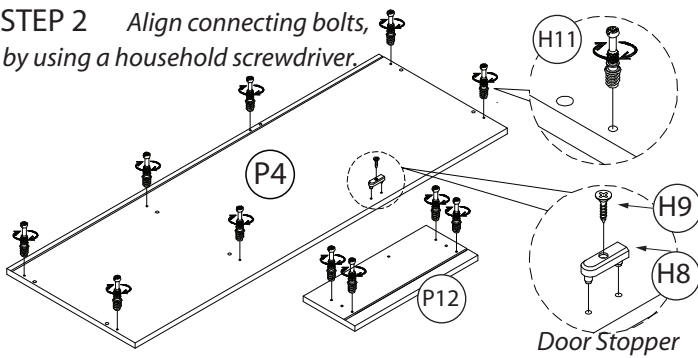
STEP 1 Insert wooden dowels



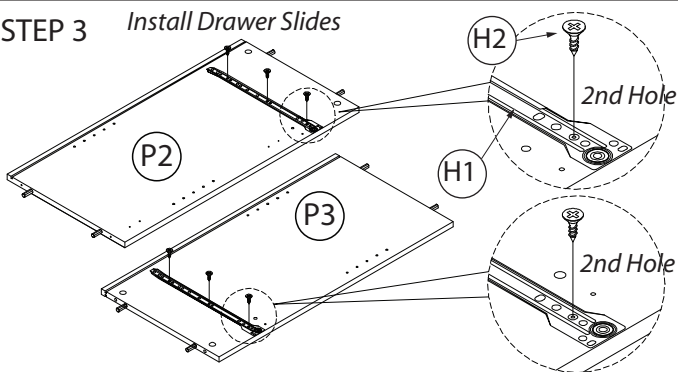
STEP 6 Completing drawer assembly.



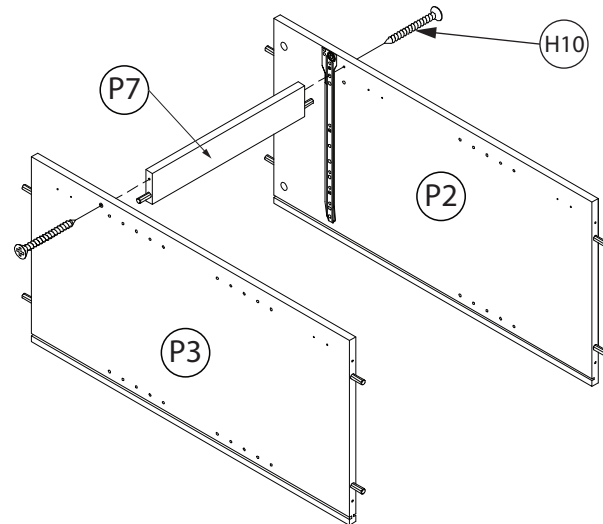
STEP 2 Align connecting bolts, by using a household screwdriver.



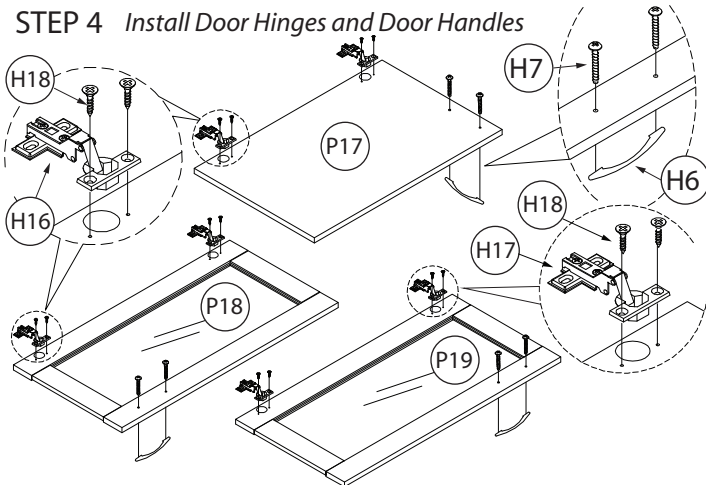
STEP 3 Install Drawer Slides



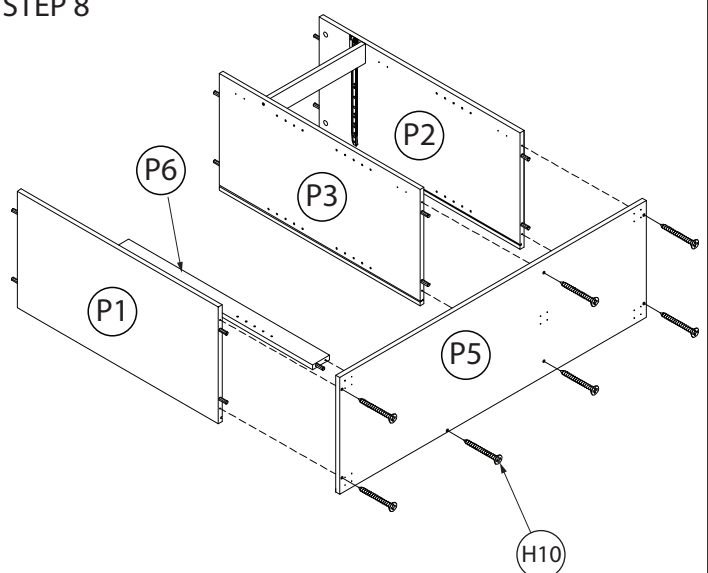
STEP 7



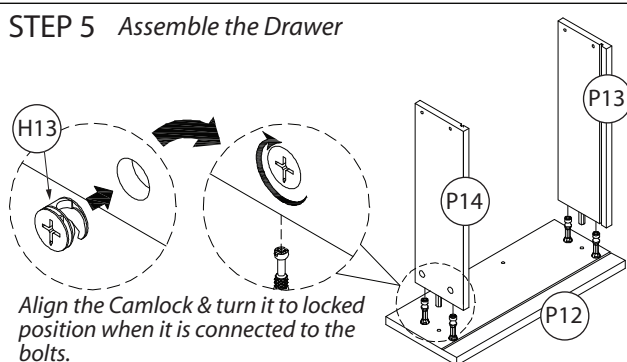
STEP 4 Install Door Hinges and Door Handles



STEP 8



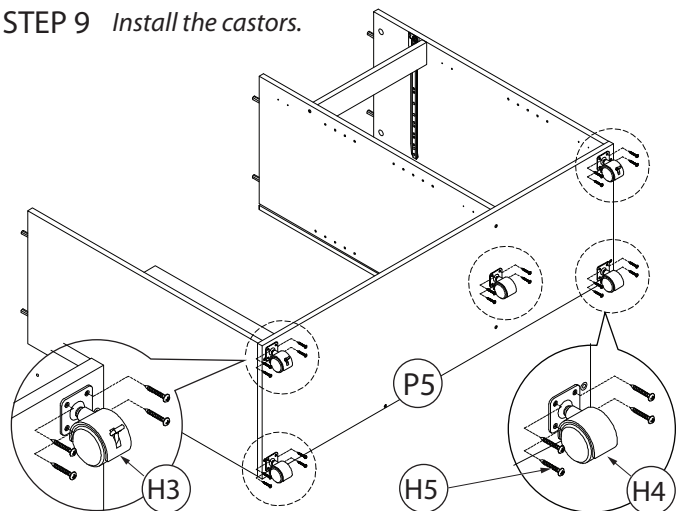
STEP 5 Assemble the Drawer



ASSEMBLY INSTRUCTIONS

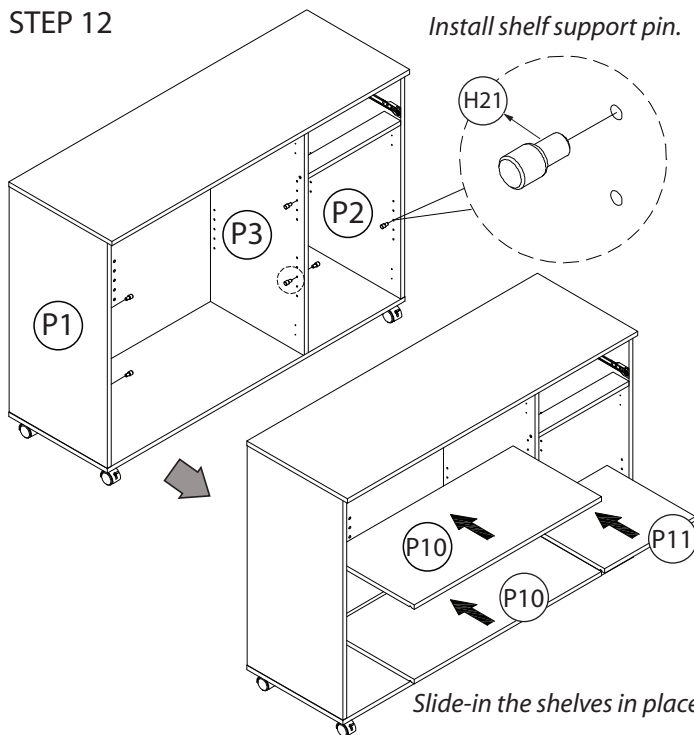
KITCHEN CART

STEP 9 Install the castors.

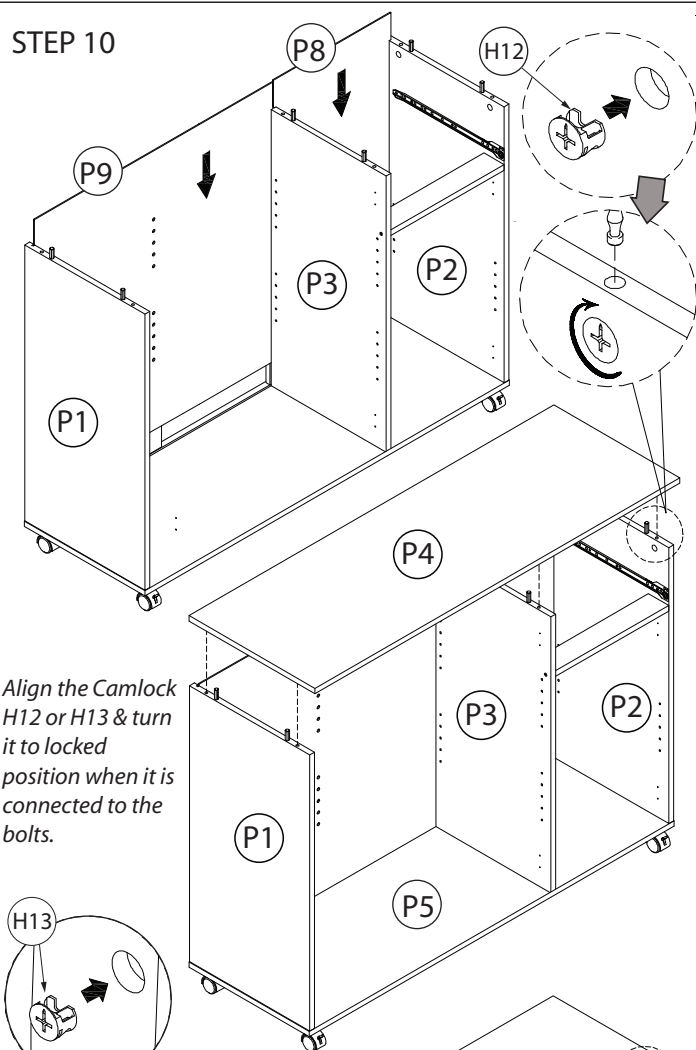


STEP 12

Install shelf support pin.

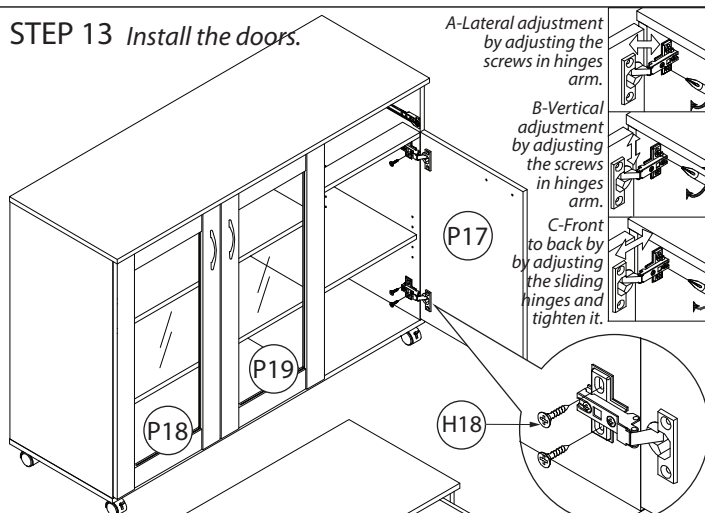


STEP 10



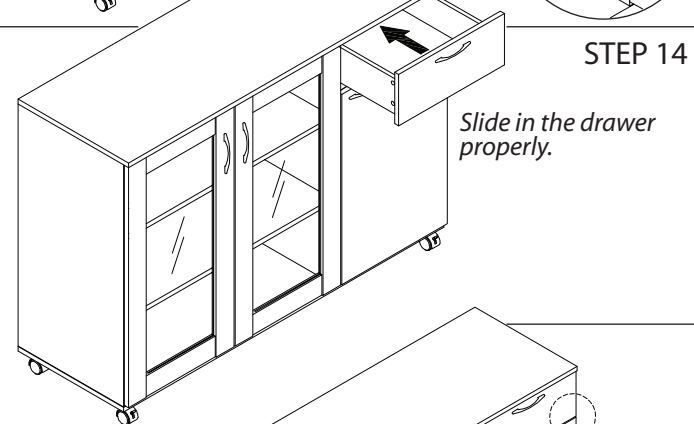
Align the Camlock H12 or H13 & turn it to locked position when it is connected to the bolts.

STEP 13 Install the doors.

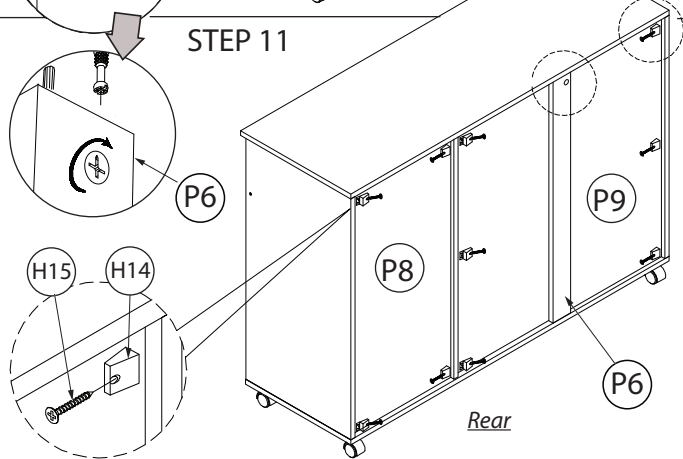


STEP 14

Slide in the drawer properly.



STEP 11



STEP 15

Cover the screws with stickers H22.

