

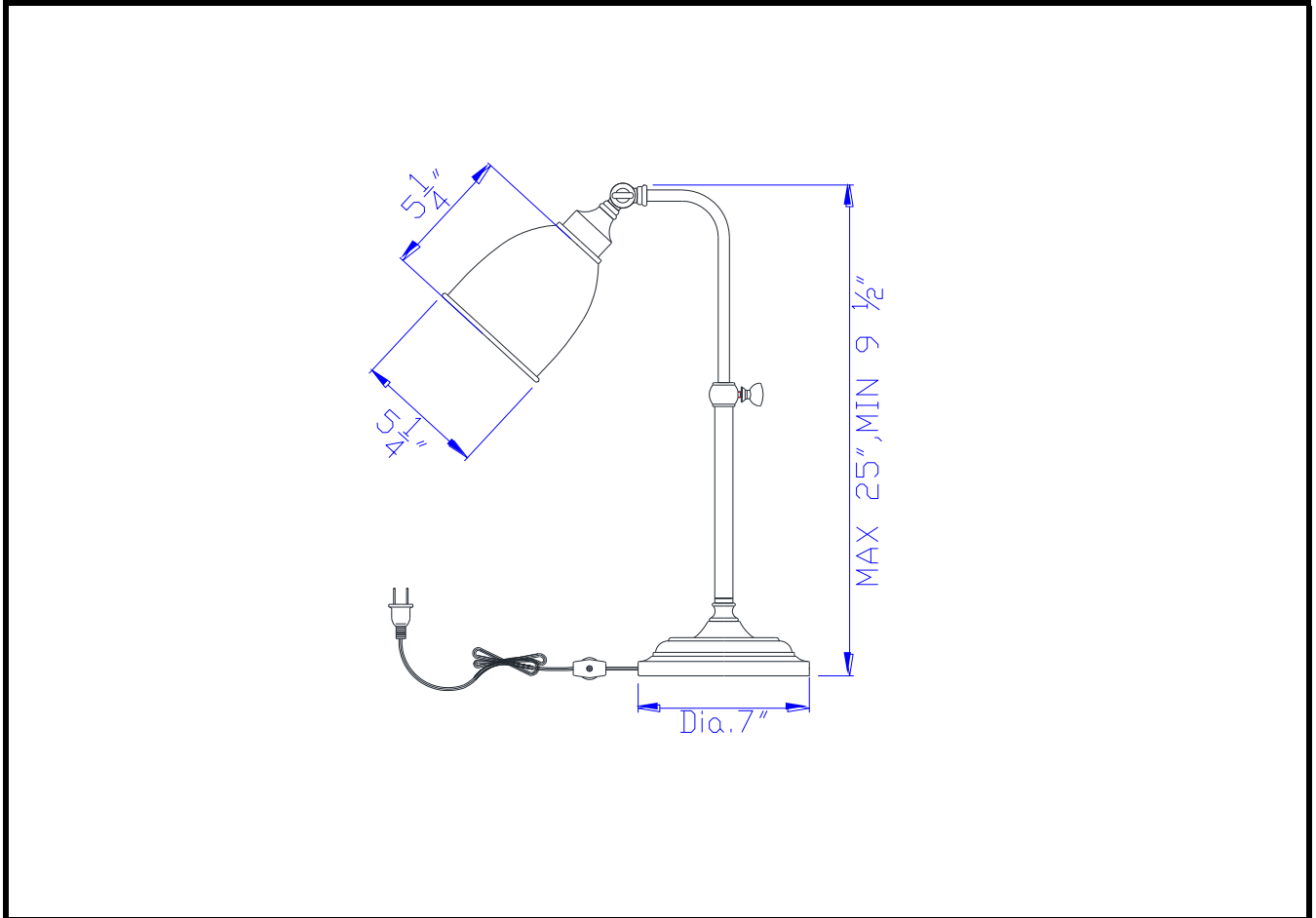
Type: _____

Project: _____

Catalog No.: _____

Lamp/Wattage: _____

Drawing:



Description: Pharmacy Table Lamp with Adjustable Pole
Material: Metal
Finish : RU (Rust)
Height: 25" Max
Base Width: 7"
Wattage : 60W
Socket : Medium Base (E27)
Switch: On/Off in-line
Bulb: Incandescent, CFL
Wire Length: 6'
Wire Color: Brown
Material: Metal
Shade size: Dia 5 1/4"

Certificate :

