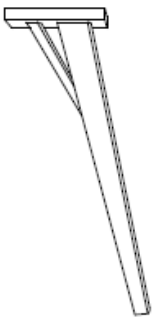

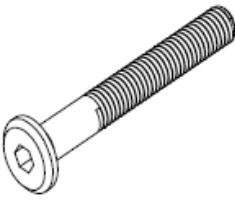
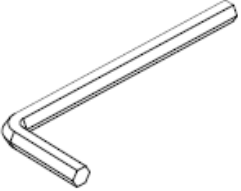




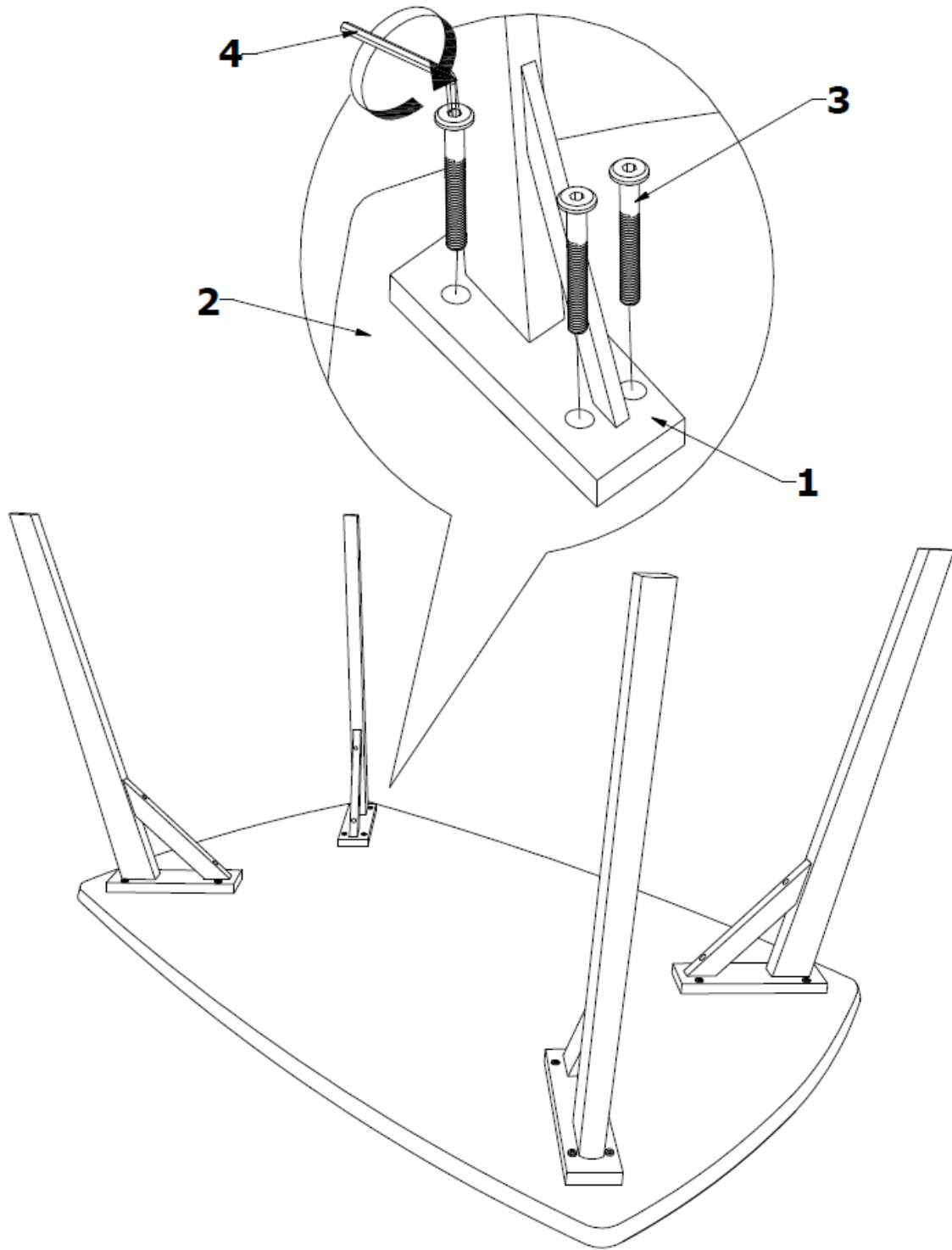
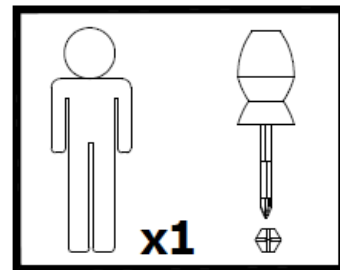
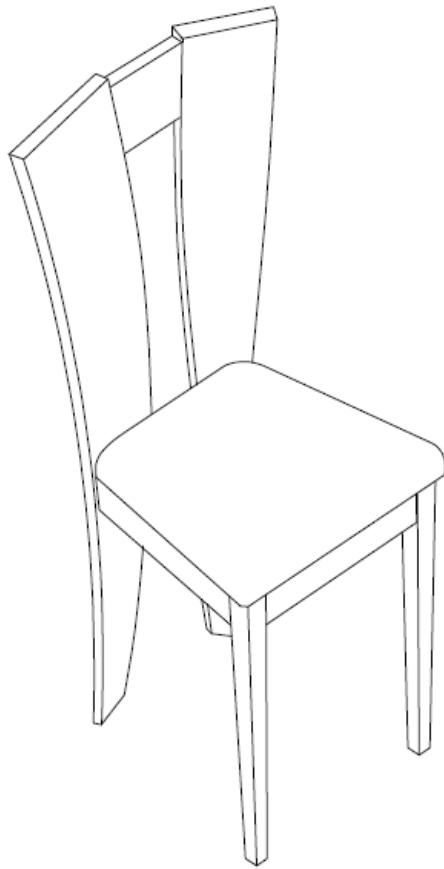
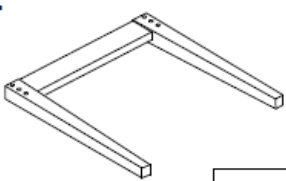
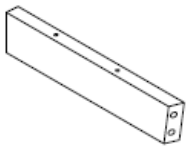
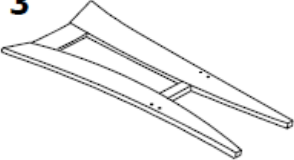

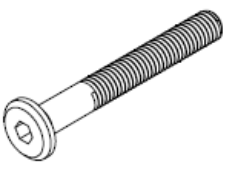





1  x4	2  x1	3  x16	4  x1
			

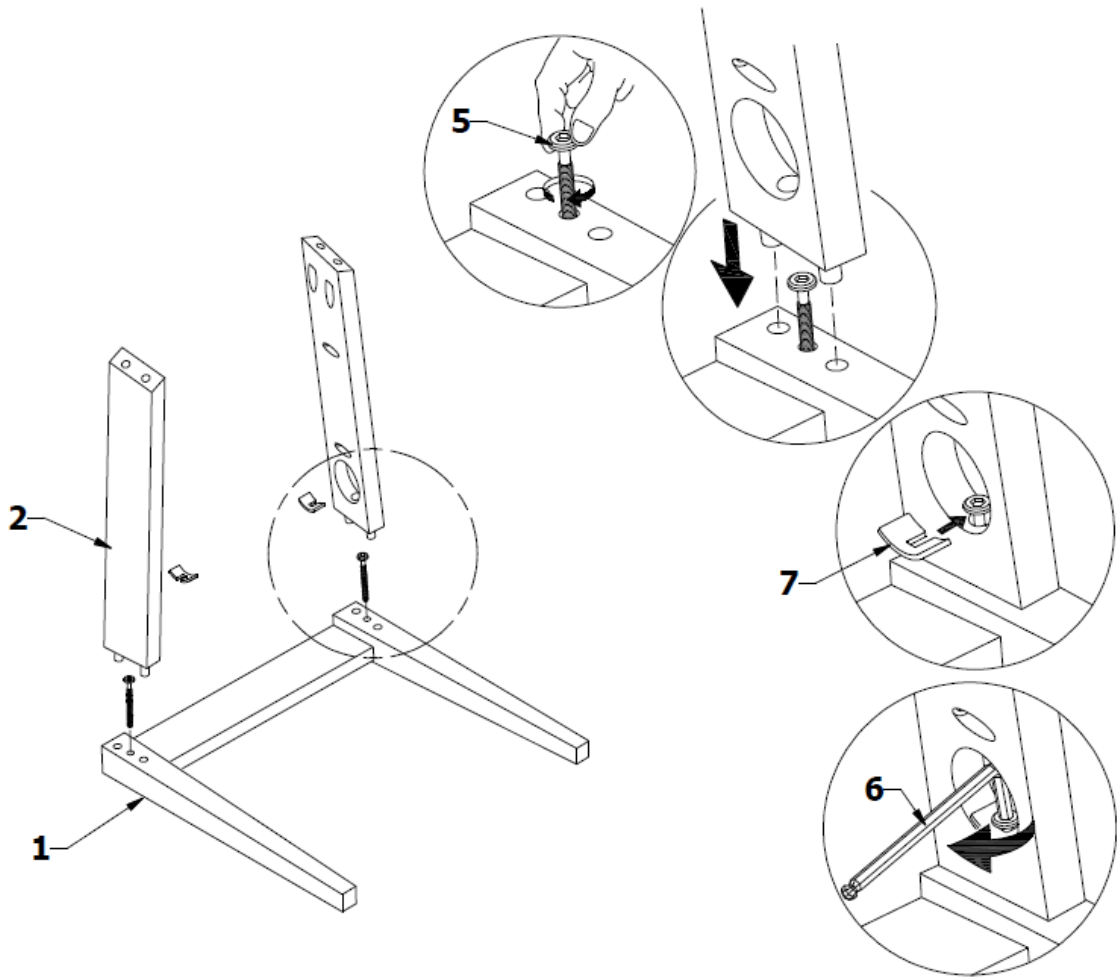
1



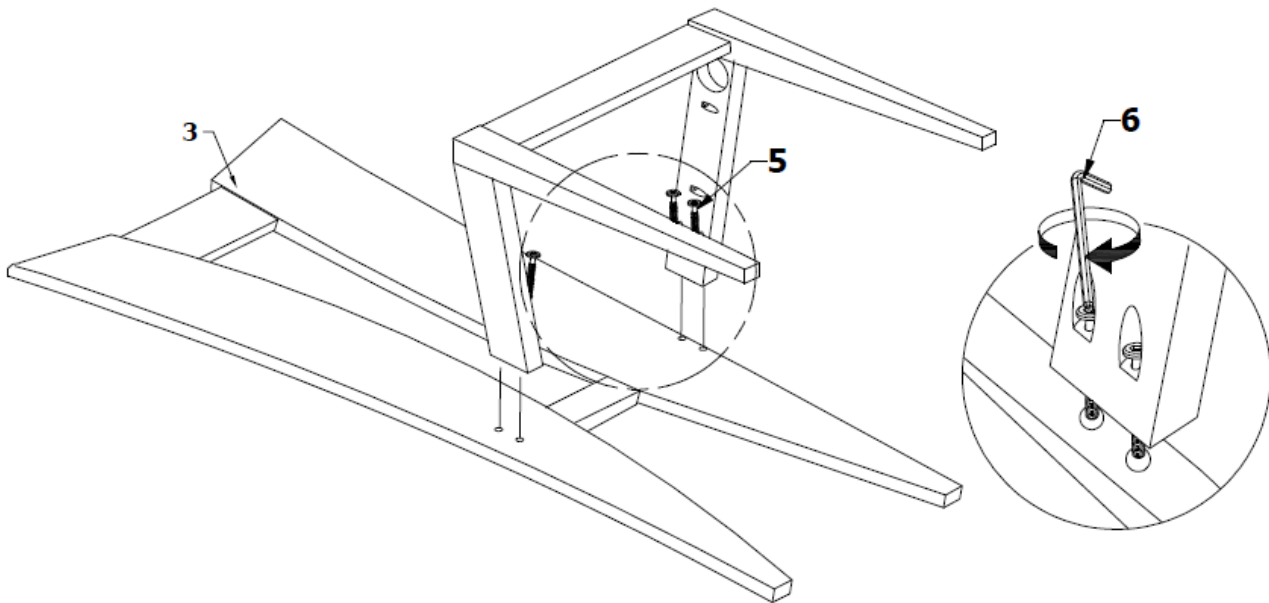


1  x1	2  x2	3  x1	4  x1
5  x6	6  x1	7  x2	8  x4

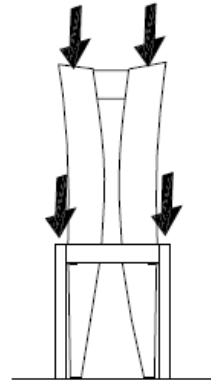
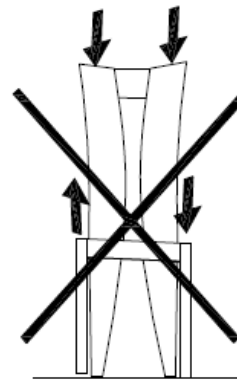
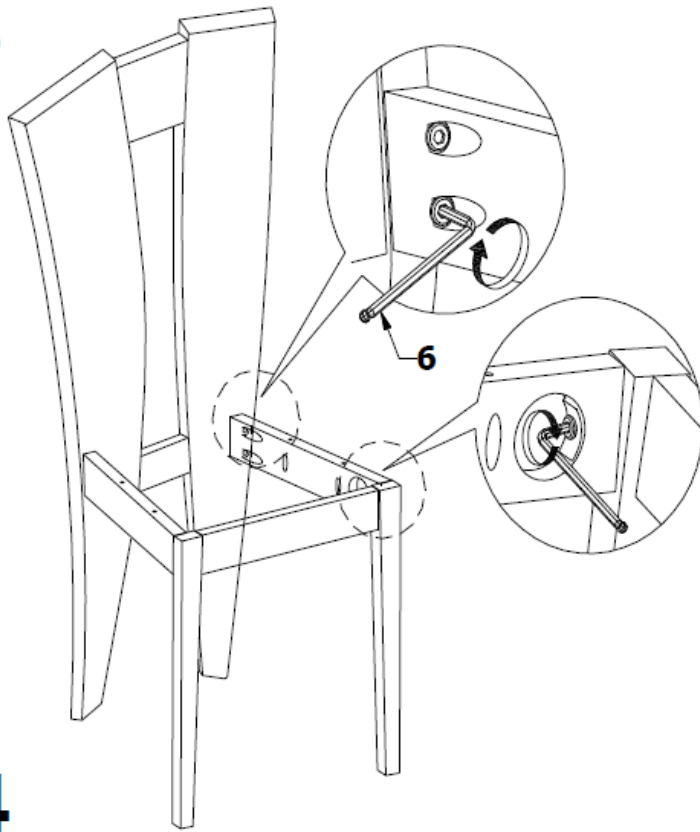
1



2



3



4

