

50029-011/021/031/041 ASSEMBLY INSTRUCTION

Thank you for purchasing this quality product. Be sure to check all packing material carefully for small parts which may have come loose inside the carton during shipment. Separate, identify and count all parts and hardware. Compare with the parts list to be sure all parts are present.

IMPORTANT : PLEASE READ INSTRUCTION BEFORE STARTING THE ASSEMBLY.

"DO NOT TIGHTEN SCREWS UNTIL COMPLETELY ASSEMBLED"

"DO NOT OVERTIGHT ANY HARDWARE"

WARNING : SMALL PARTS AND HARDWARE NOT FOR CHILDREN UNDER 3 YEARS. ADULT ASSEMBLY REQUIRED.

TABLE OF CONTENTS

| | |
|--------------------|------------|
| HARDWARES LIST | PAGE 2 |
| PARTS LIST | PAGE 3 |
| PARTS' LOCATION | PAGE 4 |
| ASSEMBLY STEPS | PAGE 5 - 6 |
| ASSEMBLY COMPLETED | PAGE 7 |

ASSEMBLY TOOLS REQUIRED

1. Screwdriver (not provide)



2. Hammer (not provide)





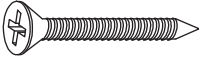




Skip the power trip this time.



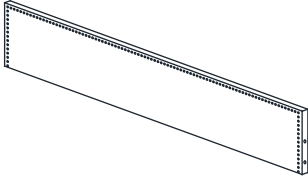
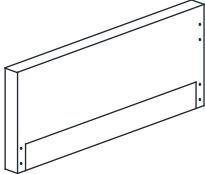
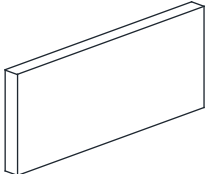
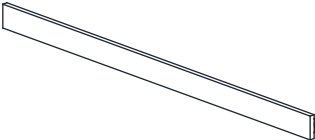


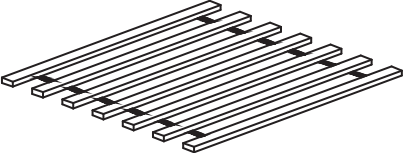
50029-011/021/031/041 ASSEMBLY INSTRUCTION

HARDWARES LIST

| ITEM | DESCRIPTION | DRAWING | QTY |
|------|---------------------------|--|-------|
| A | JCBB SCREW M8 x 20MM |  | 8 PCS |
| B | JCBC SCREW M6 x 40MM |  | 4 PCS |
| C | SPRING WASHER M6 x 12MM |  | 4 PCS |
| D | FLAT WASHER M6 x 19MM |  | 4 PCS |
| E | CSK C/B SCREW (M4 x 32MM) |  | 8 PCS |
| F | M4 ALLEN KEY (100MM) |  | 1 PC |
| G | M5 ALLEN KEY (65MM) |  | 1 PC |

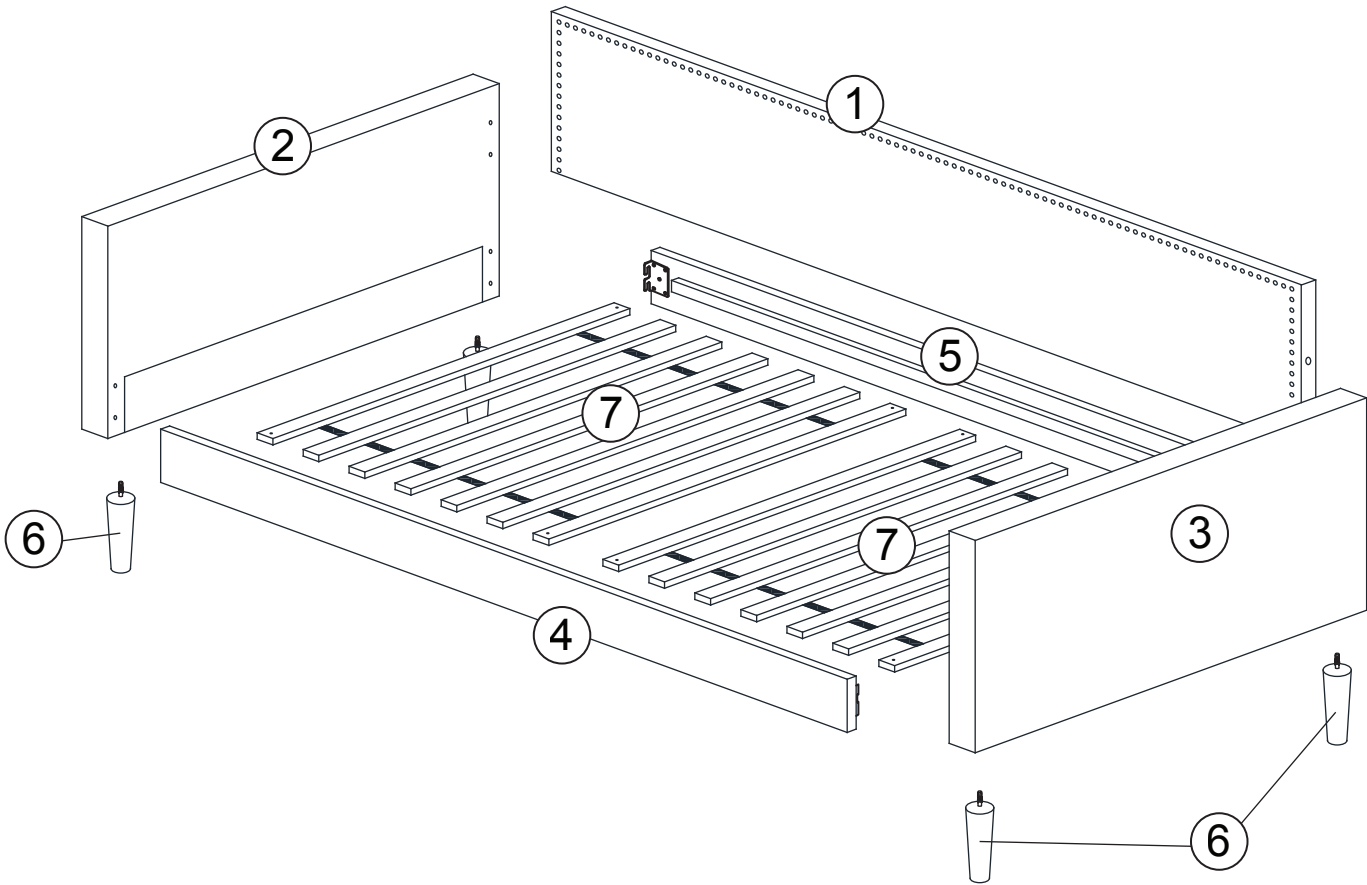
50029-011/021/031/041 ASSEMBLY INSTRUCTION

PARTS LIST

| ITEM | DESCRIPTION | DRAWING | QTY |
|------|-----------------|---|--------|
| 1 | BACK REST |  | 1 PC |
| 2 | SIDE PANEL (L) |  | 1 PC |
| 3 | SIDE PANEL (R) |  | 1 PC |
| 4 | FRONT SIDE RAIL |  | 1 PC |
| 5 | BACK SIDE RAIL |  | 1 PC |
| 6 | LEG |  | 4 PCS |
| 7 | DAYBED SLAT |  | 2 ROLL |

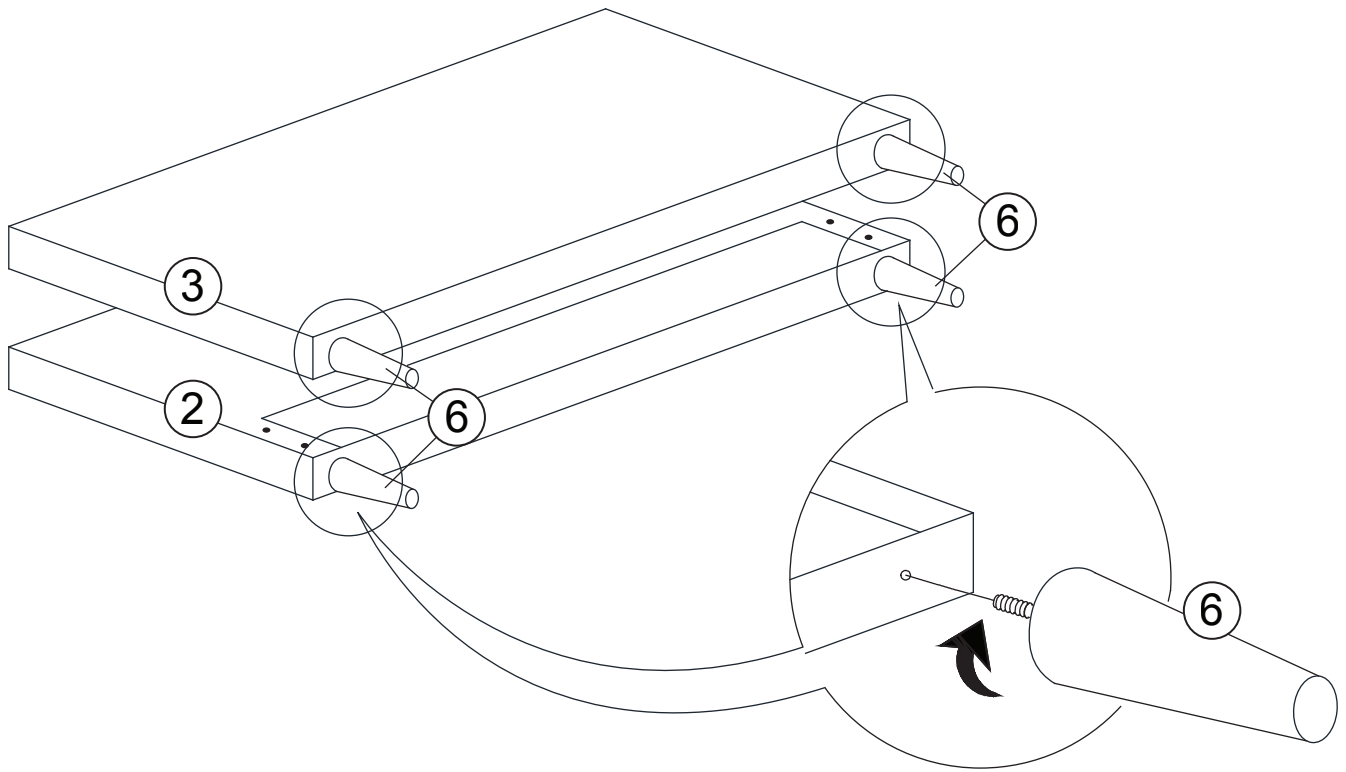
50029-011/021/031/041 ASSEMBLY INSTRUCTION

PARTS ' LOCATION

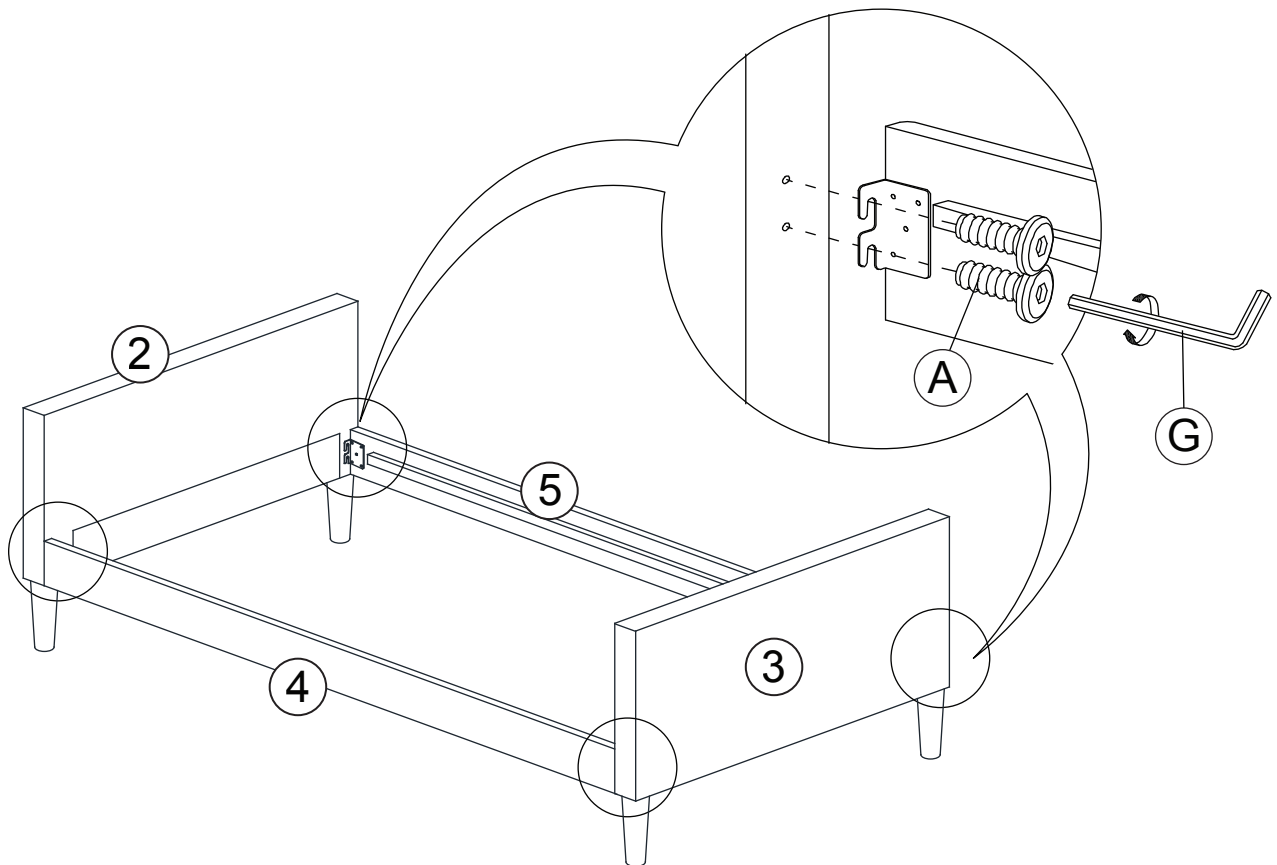


50029-011/021/031/041 ASSEMBLY INSTRUCTION

STEP 1

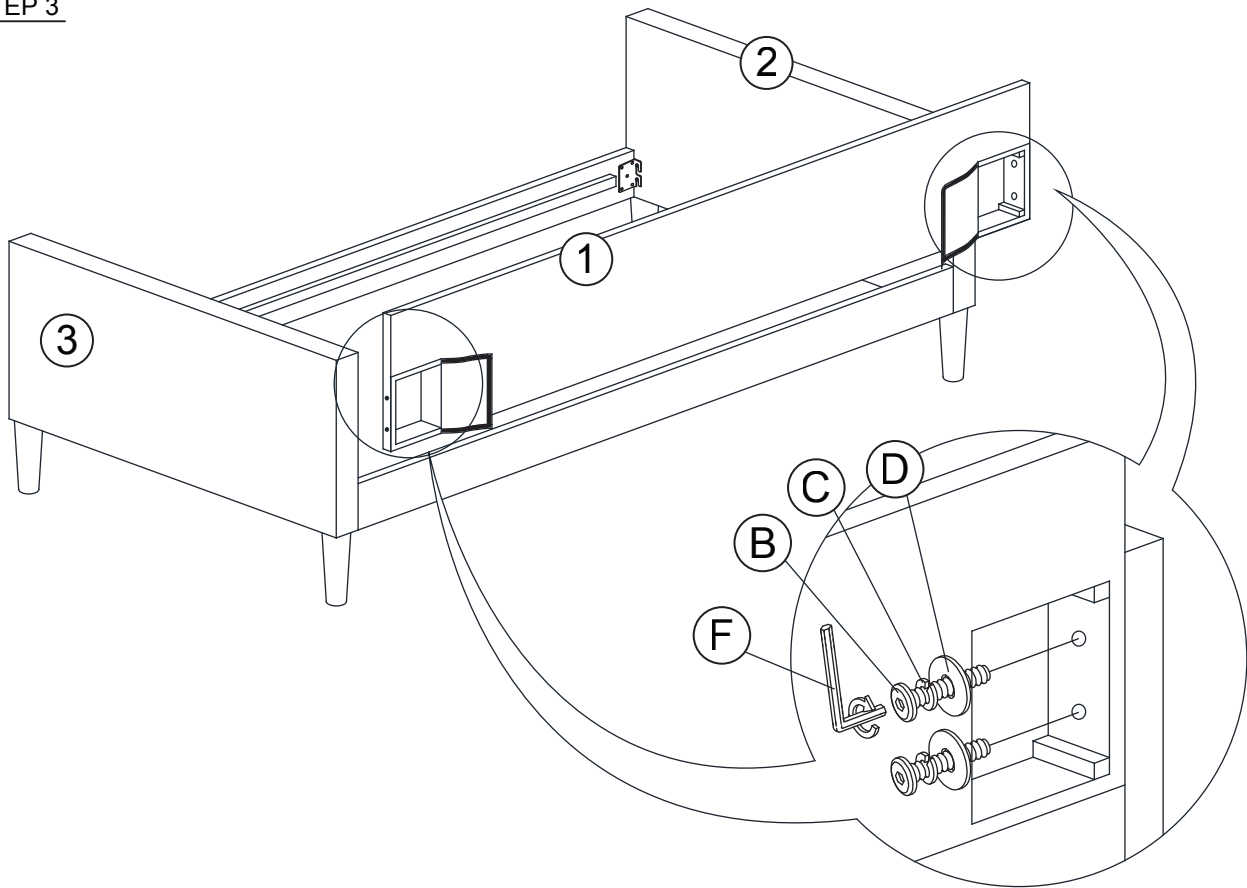


STEP 2

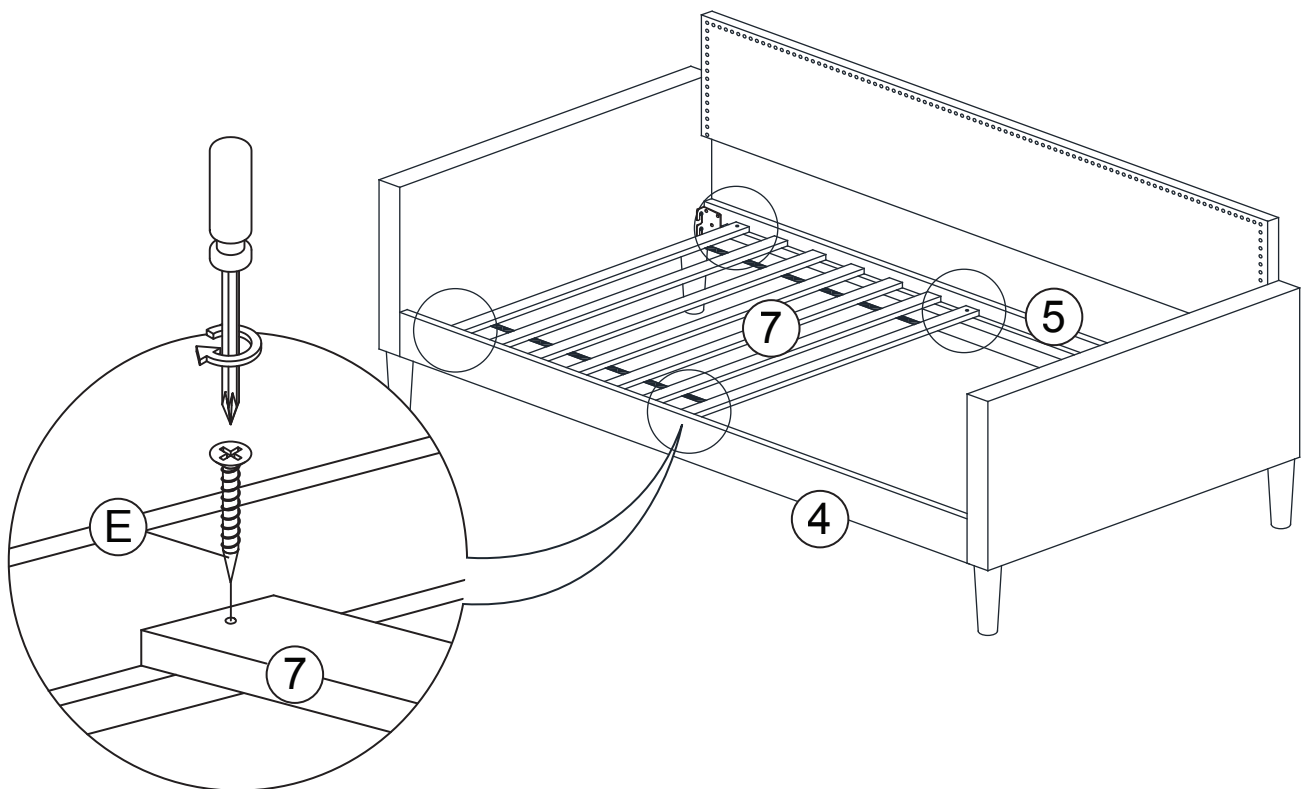


50029-011/021/031/041 ASSEMBLY INSTRUCTION

STEP 3

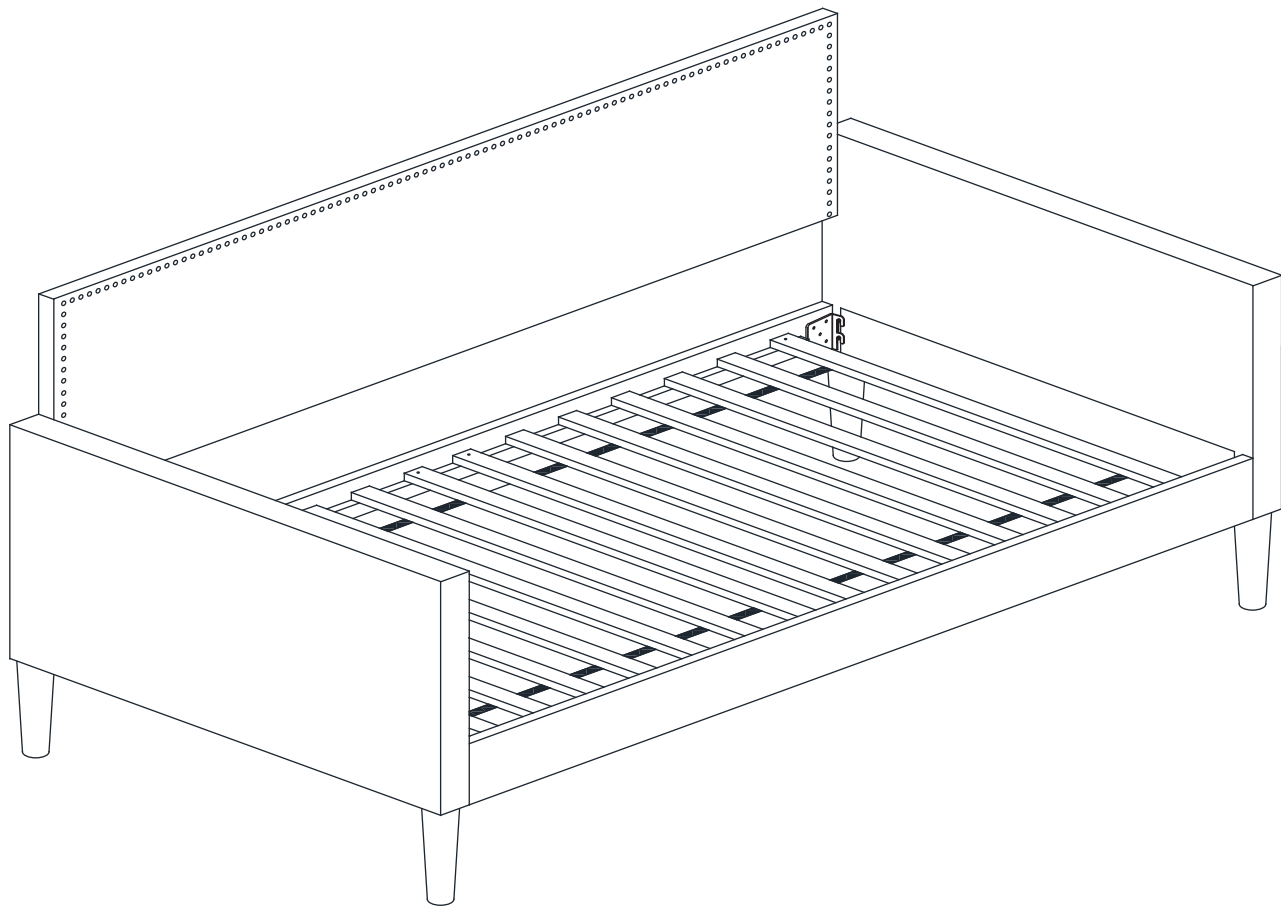


STEP 4



50029-011/021/031/041 ASSEMBLY INSTRUCTION

STEP 5



ASSEMBLY COMPLETED